



EQ1208

*4-Band Graphic Equalizer
with Subwoofer Output*

**Congratulations on your
purchase of a BOSS Equalizer.**

It has been designed, engineered and manufactured to bring you the highest level of performance and quality, and will afford you years of listening pleasure.

Thank you for making
BOSS your choice for car audio
entertainment!

USER'S MANUAL

page	CONTENTS
2	How an equalizer is used
3	Front panel controls and features
4	Top panel controls and features
5	Installation
5	Mounting the equalizer
6	Audio connections
7	Power connection
8	Specifications

How an equalizer is used

The **BOSS** AUDIO SYSTEMS EQ1208 graphic equalizer is a high-fidelity signal processor/preamplifier that allows you to graphically view and individually control a number of different frequency bands in a stereophonic system.

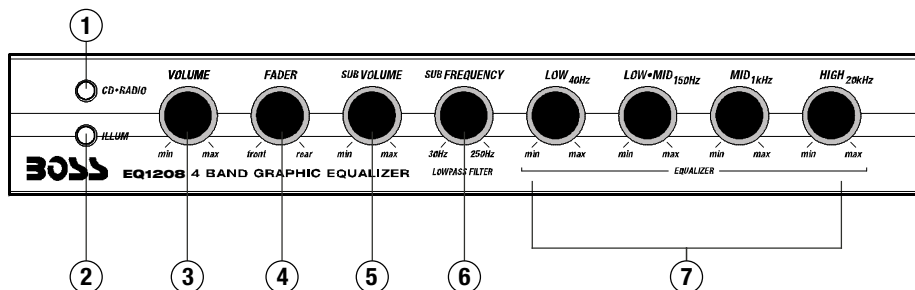
It is intended for use in a car audio system which includes amplifiers in the signal path AFTER the equalizer, and provides Front, Rear and Subwoofer LOW LEVEL outputs via RCA connectors.

This graphic equalizer consists of several audio filters, each centered at a specific frequency in the audio range. The EQ1208 enables you to cut or boost the output level by up to 18dB as desired at the following frequencies:

40Hz • 150Hz • 1k Hz • 20kHz

The EQ1208 also features a subwoofer channel with an independent crossover control. The crossover can be set from 30Hz to 250Hz. Any signal below the frequency setting will be sent to the subwoofer outputs, allowing you to optimize the sound to suit your particular subwoofer set-up. Use of the subwoofer channel is optional.

Front panel controls and features

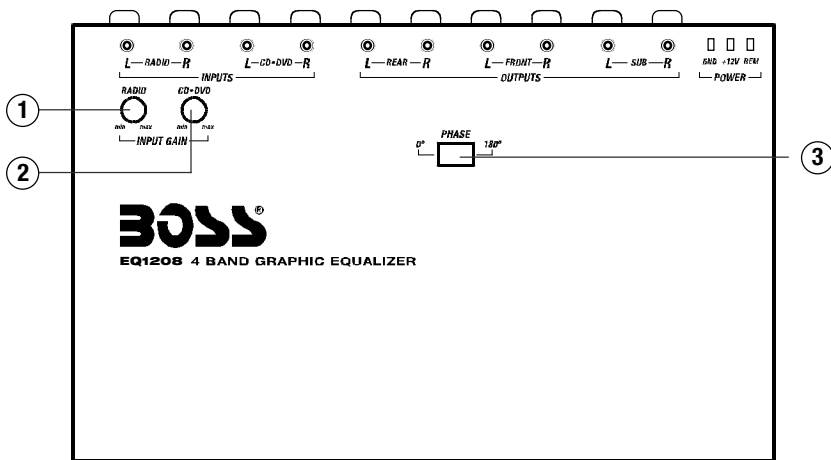


- 1 CD/RADIO SELECTOR**
This button permits you to select the equalizer input source. The unit features separate rear panel RCA inputs for radio and CD/DVD players.
- 2 ILLUMINATION SELECTOR**
This button permits you to select the color of the front panel illumination.
- 3 MASTER VOLUME CONTROL**
Use this control to adjust the overall output volume level.
- 4 FADER**
Use this control to balance the sound level between front and rear speakers as desired.

- 5 SUBWOOFER VOLUME**
This control permits you to increase or decrease the output level of the subwoofer channel.
- 6 SUBWOOFER FREQUENCY**
Use this knob to set the crossover frequency for the subwoofer output channel (i.e., it is a lowpass filter)
- 7 BOOST/CUT CONTROLS**
Each of these controls represents a range of frequencies surrounding a center frequency to cover the audio spectrum from subwoofer frequencies to treble frequencies.

Adjust these controls to suit your taste and listening environment. Each center frequency can be adjusted +/- 18 dB.

Top panel controls and features



- 1 RADIO and CD INPUT GAIN CONTROLS**
These controls permit you to balance the input gain from your input sources independently.
- 2**

- 3 PHASE SHIFT SELECTOR**
Select either 0° or 180° to correct for time alignment issues in your audio system.

Installation

Before installing your new **BOSS** AUDIO SYSTEMS equalizer, please become familiar with all the information contained in this manual.

Choose a mounting location where the unit will not distract or otherwise interfere with the driver's ability to control the vehicle.

Use only the installation parts and hardware provided with the unit to ensure proper installation. Using other parts can cause malfunction and possible damage to your **BOSS** AUDIO SYSTEMS equalizer.

Avoid installing the unit in a location which is subject to high temperatures, direct sunlight, hot air from such sources as heaters or exhaust lines, or where it will be subject to contact with dust, dirt, moisture or excessive vibration.

Mounting the equalizer

The EQ1208 is designed to be installed to the underside of your vehicle dashboard or other similar surface using the screws and brackets provided. Install the unit securely, according to the diagram below.

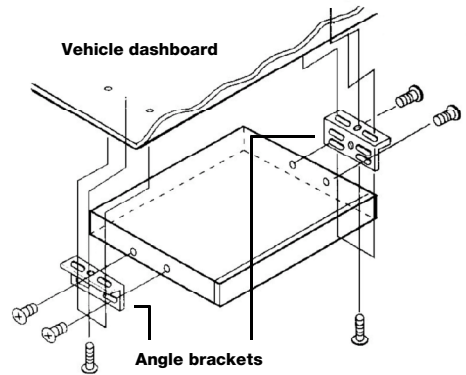


Figure 1 Mounting the equalizer

Turning on the power

The EQ1208 has internal ON/OFF circuitry which responds to turning ON or OFF the head unit of your car audio system. This requires that your head unit have a remote turn-on lead available on the rear panel (which most head units have).

With this convenient remote turn-on/off feature, you never have to worry about turning off the power to the equalizer when you shut off the audio system.

Audio connections

Review the diagrams on the next two pages and connect the unit as shown.

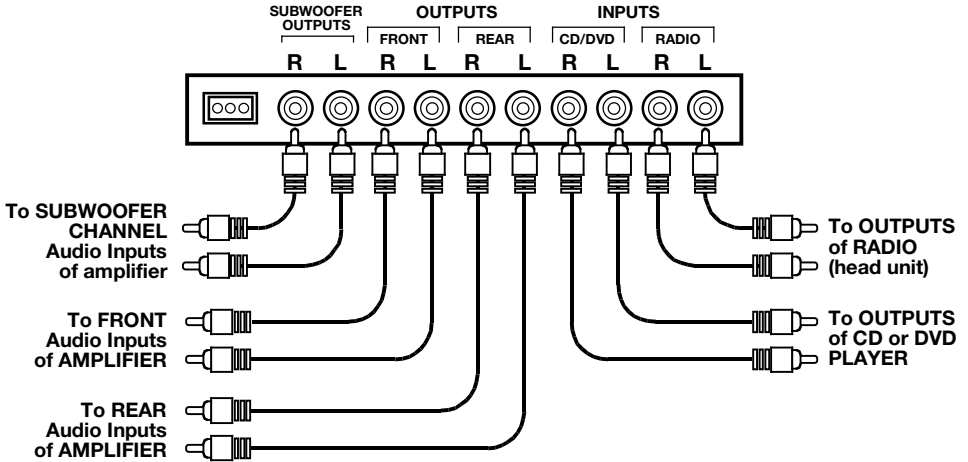


Figure 2 Audio input and output wiring

Power connections

Please note that this equalizer contains an internal ON/OFF switch, which is activated when the head unit is turned on. For this reason, in order to use this equalizer, your head unit must have a remote-turn on lead.

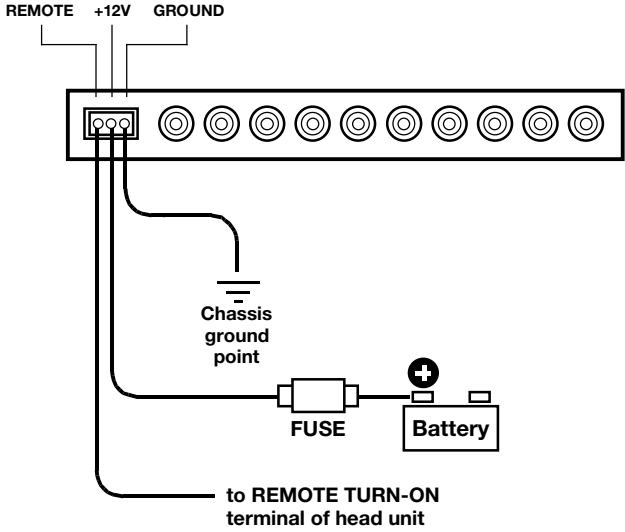


Figure 3 Power connections

Specifications



EQ1208

4-Band Graphic Equalizer with Subwoofer Output

EQ center frequencies	40Hz • 150Hz • 1kHz • 20kHz
Equalization range	+/- 18dB (boost/cut)
Frequency response	20Hz-20kHz
Subwoofer crossover freq.	variable 30-250Hz
Signal-to-Noise Ratio	105dB
EQ THD	less than 0.05%
Subwoofer channel THD	less than 0.05%
Channel separation	60dB
Power supply	10-16V negative ground
Output voltage	7V
Dimensions (W x D x H)	6.8" x 4.25" x 1.1"

All specifications subject to change without notice.