



BRADFORD WHITE[®]
W A T E R H E A T E R S

COMMERCIAL REPLACEMENT PARTS LIST
Ultra Low NOx
Atmospheric Vent Water Heater



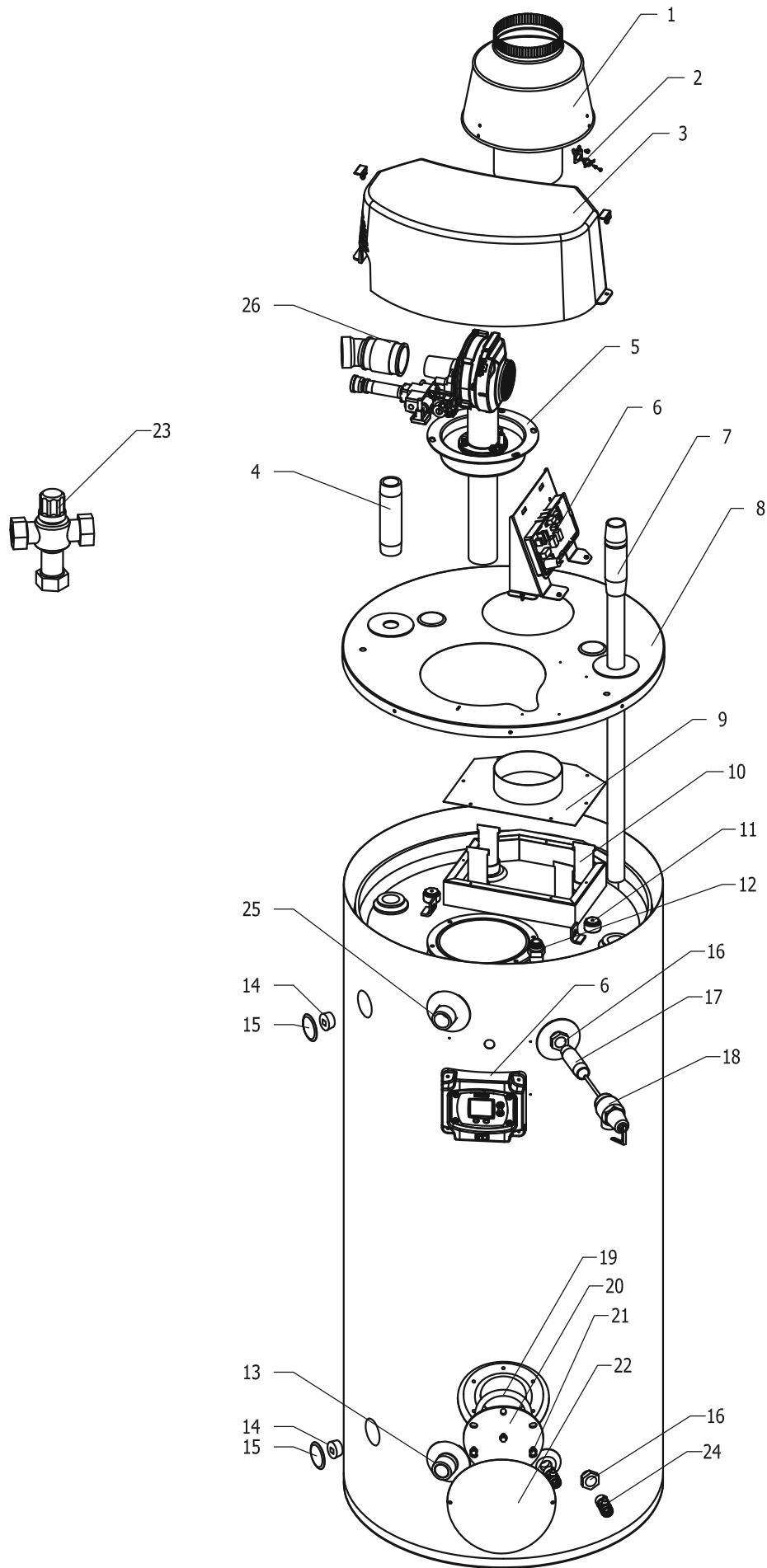
UCG100H(199,270,399)3(N,X)

Includes Hydrojet[®]
Total Performance System

Effective: December, 2014
ECO 7956

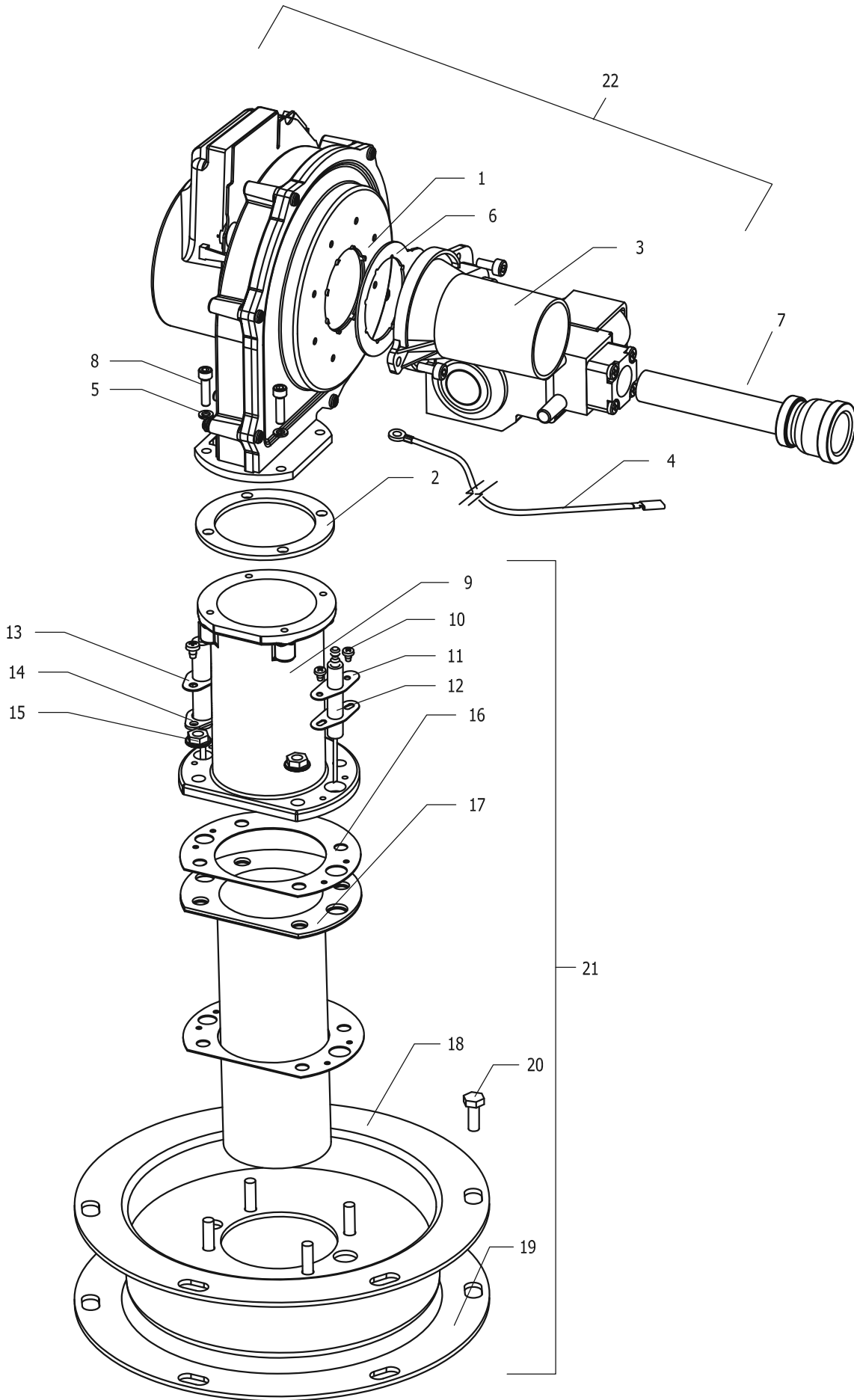
**NOTE: BOTH MODEL AND SERIAL
NUMBERS ARE REQUIRED FOR
ORDERING REPLACEMENT PARTS**

Dimensions and specifications
subject to change without notice.



Item	Description	Model	Model	Model	Model
		UCG100H1993N	UCG100H2703N	UCG100H1993X	UCG100H2703X
1	Draft Diverter	239-49610-01	239-49610-01	239-49610-01	239-49610-01
2	Assembly Blocked Vent Switch	239-49622-00	239-49622-00	239-49622-00	239-49622-00
3	Surround with Latches	239-50510-00	239-50510-00	239-50510-00	239-50510-00
4	Nipple Hot Water Outlet Plastisert (Top Connection)	229-40913-01	229-40913-01	229-40913-01	229-40913-01
5	Combustion System Assembly	243-50529-01	243-50529-03	243-50529-02	243-50529-04
6	Control Panel Assembly	(see page 7)	(see page 7)	(see page 7)	(see page 7)
7	Inlet Tube Hydrojet (Top Connection)	229-46709-02	229-46709-02	229-46709-02	229-46709-02
8	Jacket Head	239-50535-01	239-50535-01	239-50535-01	239-50535-01
9	Exhaust Collector Cover	239-50530-01	239-50530-01	239-50530-01	239-50530-01
10	Baffle 2" Flue (4 Req'd)	239-50512-02	239-50512-03	239-50512-02	239-50512-03
11	Anode (Magnesium) (up to 3 req'd)	224-47782-07	224-47782-07	224-47782-07	224-47782-07
	Anode (Aluminum) (up to 3 req'd)	224-47783-07	224-47783-07	224-47783-07	224-47783-07
	Anode (Aluminum A420) (up to 3 req'd)#	224-49559-04	224-49559-04	224-49559-04	224-49559-04
12	Well Sensor	233-46558-03	233-46558-03	233-46558-03	233-46558-03
13	Inlet Tube Hydrojet (Front Connection)	229-44375-00	229-44375-00	229-44375-00	229-44375-00
14	Plug (2 Req'd)	239-02048-00	239-02048-00	239-02048-00	239-02048-00
15	Hole Closure (4 Req'd)	239-31547-02	239-31547-02	239-31547-02	239-31547-02
16	3/4" to 1" Bushing (2 Req'd)	239-02052-00	239-02052-00	239-02052-00	239-02052-00
17	T&P Nipple	229-32762-02	239-80982-00	229-32762-02	239-80982-00
18	T&P Valve	230-30246-00	230-33630-04	230-30246-00	230-33630-04
19	Cleanout Gasket	205-18427-00	205-18427-00	205-18427-00	205-18427-00
20	Cleanout Cover	205-18428-00	205-18428-00	205-18428-00	205-18428-00
21	Screw 5/16 - 18 x 1/2 (6 req'd)	239-82166-00	239-82166-00	239-82166-00	239-82166-00
22	Clean Out Cover Access	243-20299-00	243-20299-00	243-20299-00	243-20299-00
23	Mixing Device	239-43740-02	239-43740-02	239-43740-02	239-43740-02
24	Drain Valve Brass (No Handle)	265-42351-02	265-42351-02	265-42351-02	265-42351-02
25	Nipple Hot Water Outlet Plastisert (Front Connection)	229-40913-07	229-40913-07	229-40913-07	229-40913-07
26	Vent Terminal	239-50597-00	239-50597-00	239-50597-00	239-50597-00

A420 anode may need to be cut to length.

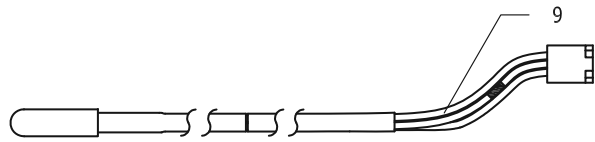
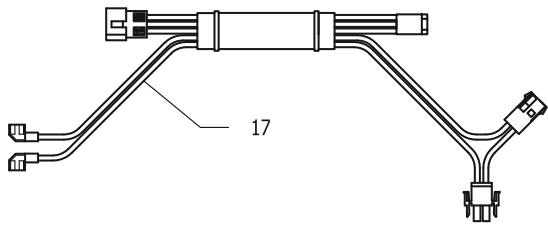
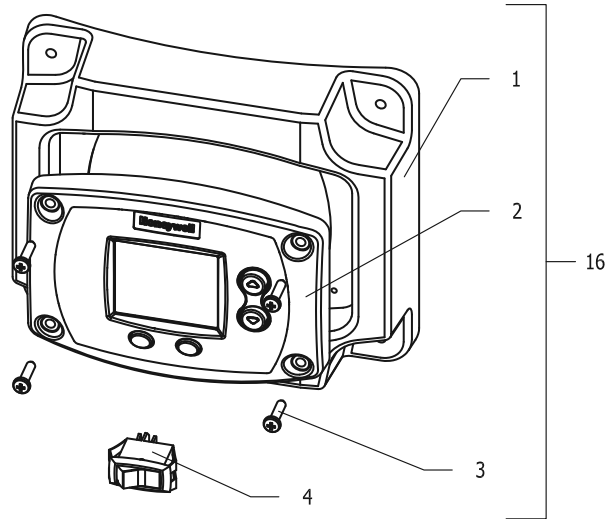


Item	Description	Model	Model	Model	Model
		UCG100H1993N	UCG100H2703N	UCG100H1993X	UCG100H2703X
1	Blower	265-44037-00	265-43229-00	265-44037-00	265-43229-00
2	Blower Transiton Gasket	239-43241-00	239-43241-00	239-43241-00	239-43241-00
3	Venturi & Gas Valve Assembly	243-46007-04	243-46007-04	243-46008-02	243-46008-05
4	Ground Wire	239-38951-87	239-38951-87	239-38951-87	239-38951-87
5	Washer - #10 Lockwasher (Req'd)	239-18461-00	239-18461-00	239-18461-00	239-18461-00
6	Venturi Gasket ◊	239-44654-00	239-44654-00	239-44654-00	239-44654-00
7	Gas Piping assembly	243-50524-00	243-50524-00	243-50524-00	243-50524-00
8	Screw 10-32 x .75 Skt Head Cap (4 Req'd)	239-43273-00	239-43273-00	239-43273-00	239-43273-00
9	Transition Tube Blower to Burner	239-43201-00	239-43201-00	239-43201-00	239-43201-00
10	Screw - #8-32 x 1/4 (4 Req'd)	239-43272-00	239-43272-00	239-43272-00	239-43272-00
11	Flame Sensor	233-43232-00	233-43232-00	233-43232-00	233-43232-00
12	Gasket Flame Sensor	239-43371-00	239-43371-00	239-43371-00	239-43371-00
13	Igniter	239-49655-00	239-49655-00	239-49655-00	239-49655-00
14	Gasket Igniter	239-43370-00	239-43370-00	239-43370-00	239-43370-00
15	Nut Hex Washer (4 req'd for Trans Tube)	239-43297-00	239-43297-00	239-43297-00	239-43297-00
16	Gasket Burner (2 Req'd)●	239-43246-00	239-43246-00	239-43246-00	239-43246-00
17	Burner	265-46019-00	265-46019-00	265-46019-00	265-46019-00
18	Burner Mounting Assembly	239-43167-00	239-43167-00	239-43167-00	239-43167-00
19	Combustion Assembly Gasket	239-43197-00	239-43197-00	239-43197-00	239-43197-00
20	Screw 5/16-18 x 3/4	239-32970-00	239-32970-00	239-32970-00	239-32970-00
21	Burner Assembly *	243-50527-00	243-50527-00	243-50527-00	243-50527-00
22	Blower and Gas Valve Assembly *	243-50525-01	243-50525-03	243-50525-02	243-50525-04

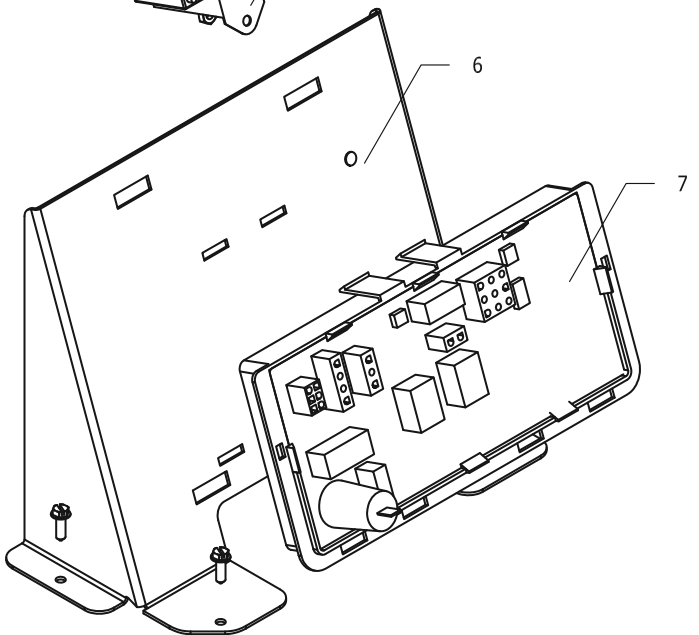
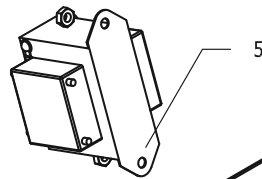
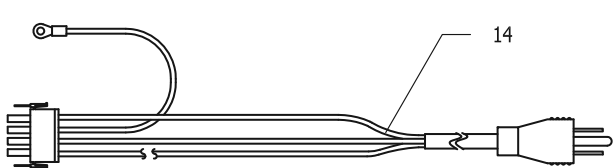
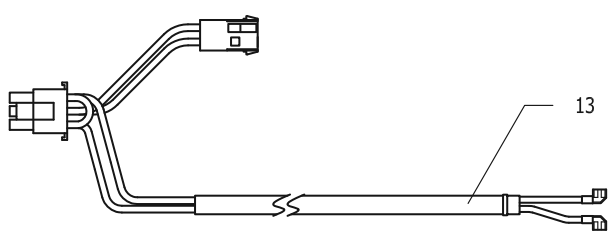
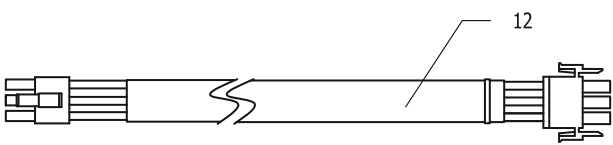
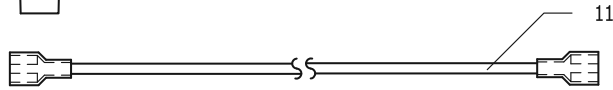
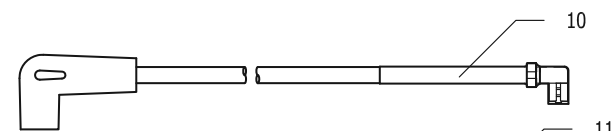
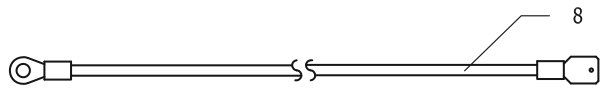
* Ordering a complete assembly may increase delivery time. Please order the specific component required for the quickest delivery

◊ Included with Item 1 & 3

● Included with Items 17 & 21

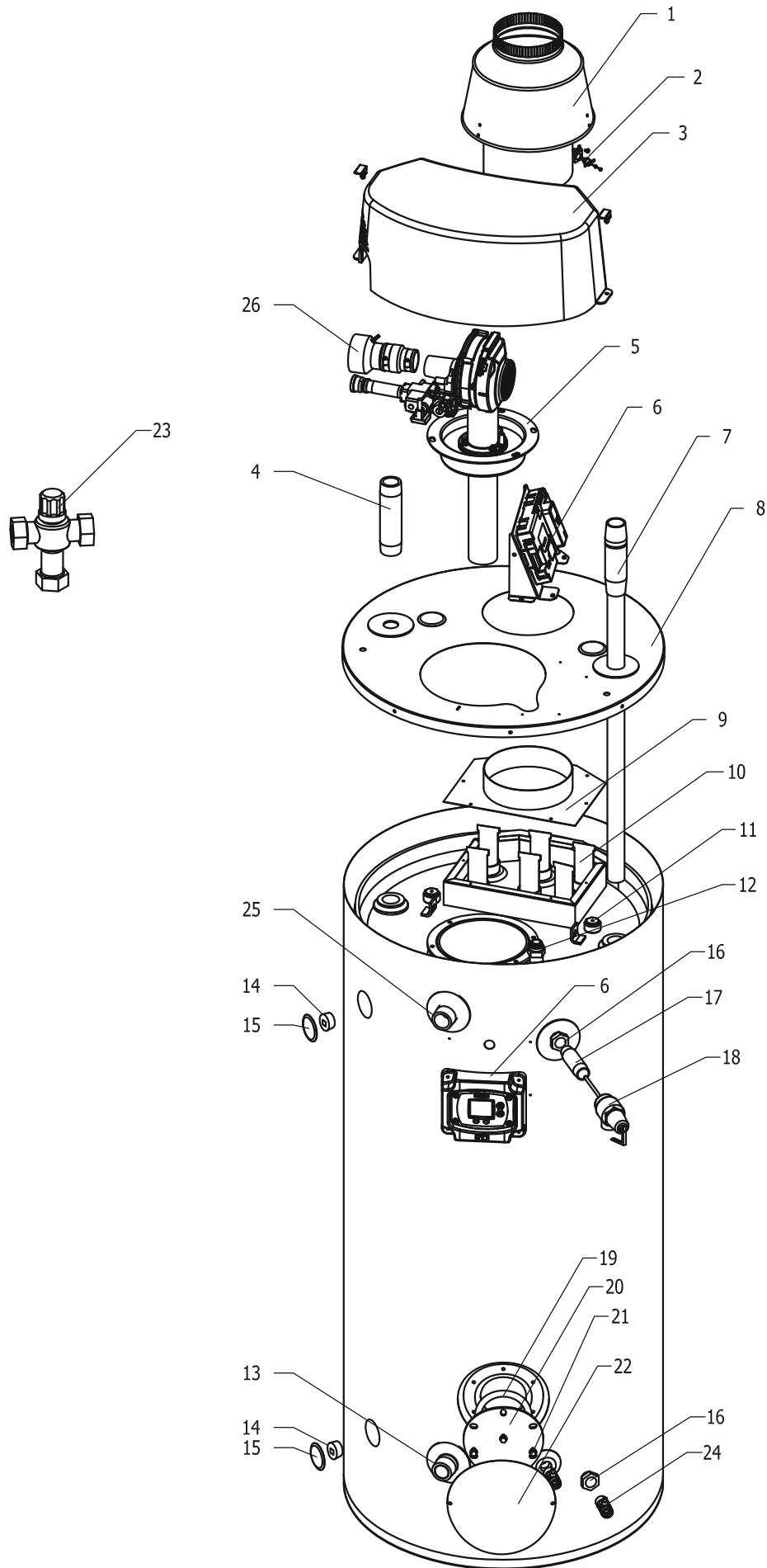


15



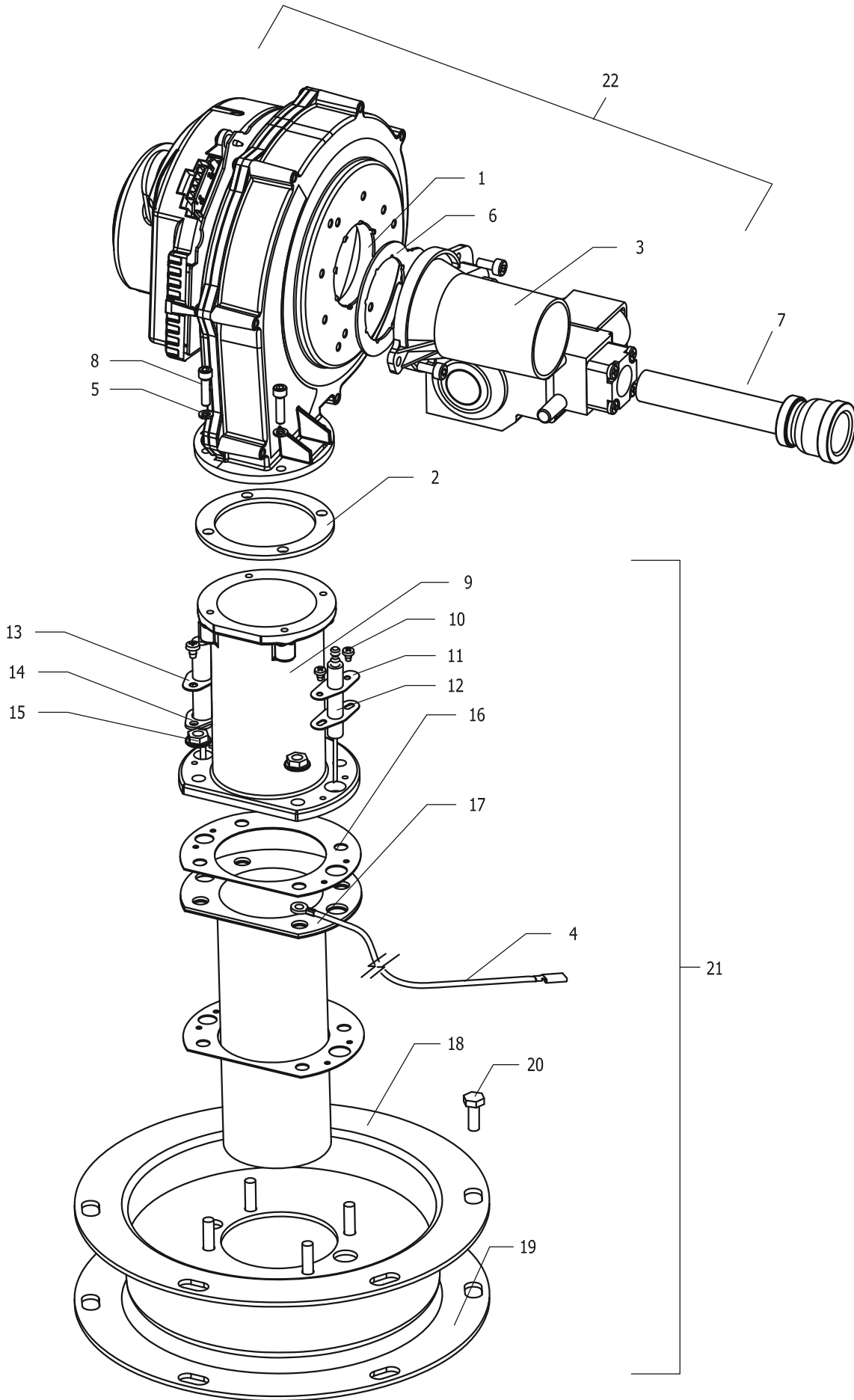
Item	Description	Model	Model	Model	Model
		UCG100H1993N	UCG100H2703N	UCG100H1993X	UCG100H2703X
1	Display Mount	239-50508-00	239-50508-00	239-50508-00	239-50508-00
2	Control Display-Honeywell Integrated Control	233-46557-00	233-46557-00	233-46557-00	233-46557-00
3	Screw-#8-18 X .75 for Control Display (4 req'd)	239-41104-00	239-41104-00	239-41104-00	239-41104-00
4	Main Power Switch	239-50586-00	239-50586-00	239-50586-00	239-50586-00
5	Transformer 120V to 24V	233-50559-00	233-50559-00	233-50559-00	233-50559-00
6	Control Panel	239-50514-00	239-50514-00	239-50514-00	239-50514-00
7	Integrated Control Board	233-46954-00	233-46954-00	233-46954-00	233-46954-00
8	Ground Wire	239-38951-88	239-38951-88	239-38951-88	239-38951-88
9	T-Stat Sensor Harness	239-46553-02	239-46553-02	239-46553-02	239-46553-02
10	High Voltage Spark Cable	239-50593-00	239-50593-00	239-50593-00	239-50593-00
11	Flame Sensor Wire	239-38951-84	239-38951-84	239-38951-84	239-38951-84
12	Blower Harness	239-46865-00	239-46865-00	239-46865-00	239-46865-00
13	Ignition Control Harness	239-50595-00	239-50595-00	239-50595-00	239-50595-00
14	Power Cord Harness	239-50596-00	239-50596-00	239-50596-00	239-50596-00
15	Display Assembly*	243-50561-00	243-50561-00	243-50561-00	243-50561-00
16	Control Assembly*	243-50560-00	243-50560-00	243-50560-00	243-50560-00
17	Control to Display Harness	239-50594-00	239-50594-00	239-50594-00	239-50594-00

* Ordering a complete assembly may increase delivery time. Please order the specific component required for the quickest delivery



Item	Description	Model UCG100H3993N
1	Draft Diverter	239-49610-03
2	Assembly Blocked Vent Switch	239-49622-00
3	Surround with Latches	239-50510-00
4	Nipple Hot Water Outlet Plastisert (Top Connection)	229-40913-01
5	Combustion System Assembly	243-51210-00
6	Control Panel Assembly	(see page 7)
7	Inlet Tube Hydrojet (Top Connection)	229-46709-02
8	Jacket Head	239-50535-01
9	Exhaust Collector Cover	239-50530-03
10	Baffle 2" Flue (6 Req'd)	239-50512-02
11	Anode (Magnesium) (up to 3 req'd)	224-47782-07
	Anode (Aluminum) (up to 3 req'd)	224-47783-07
	Anode (Aluminum A420) (up to 3 req'd)#	224-49559-04
12	Well Sensor	233-46558-03
13	Inlet Tube Hydrojet (Front Connection)	229-44375-00
14	Plug (2 Req'd)	239-02048-00
15	Hole Closure (4 Req'd)	239-31547-02
16	3/4" to 1" Bushing (2 Req'd)	239-02052-00
17	T&P Nipple	229-32762-02
18	T&P Valve	230-30246-00
19	Cleanout Gasket	205-18427-00
20	Cleanout Cover	205-18428-00
21	Screw 5/16 - 18 x 1/2 (6 req'd)	239-82166-00
22	Clean Out Cover Access	243-20299-00
23	Mixing Device (Optional)	239-43740-02
24	Drain Valve Brass (No Handle)	265-42351-02
25	Nipple Hot Water Outlet Plastisert (Front Connection)	229-40913-07
26	Vent Terminal	239-50597-00

A420 anode may need to be cut to length.

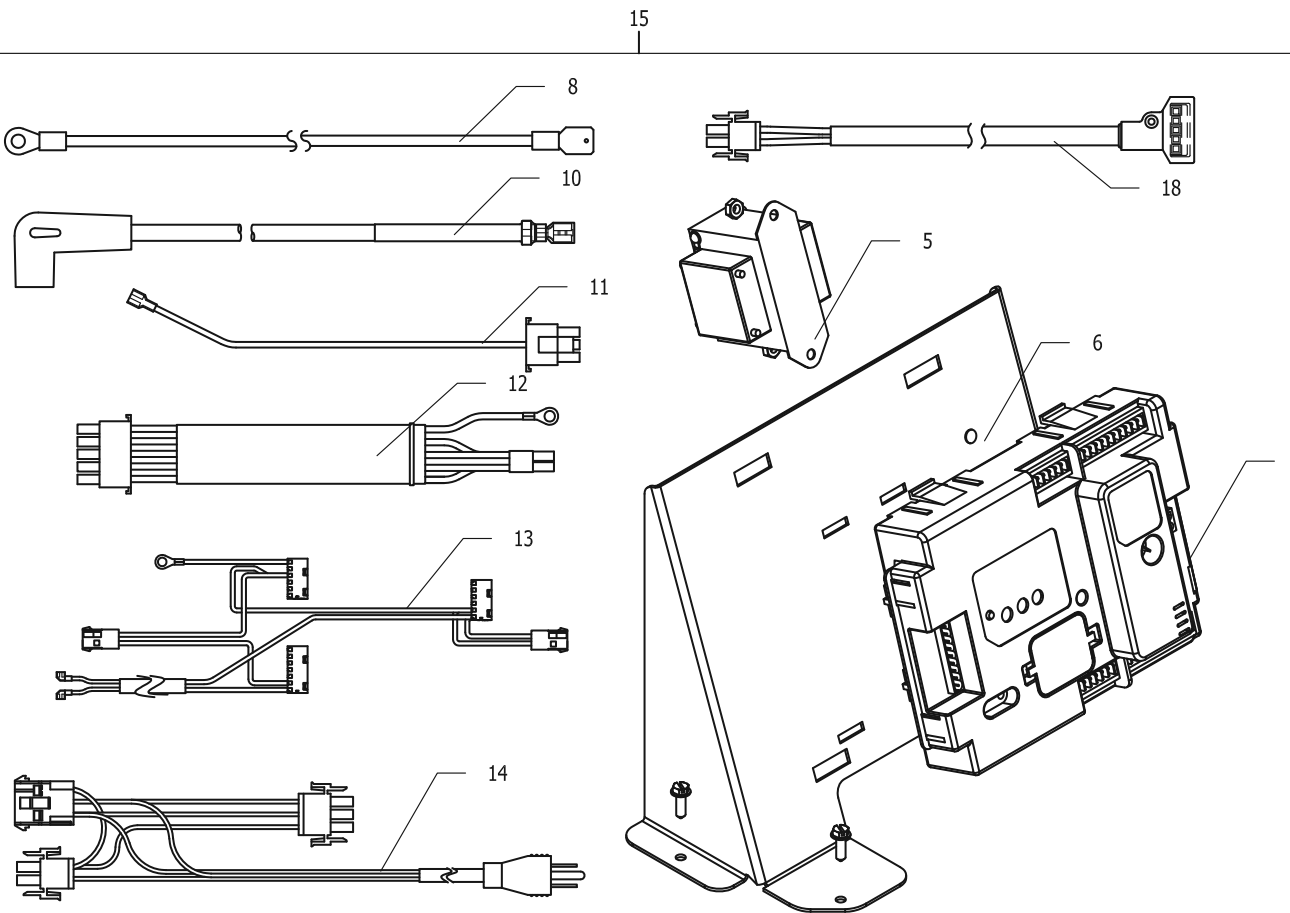
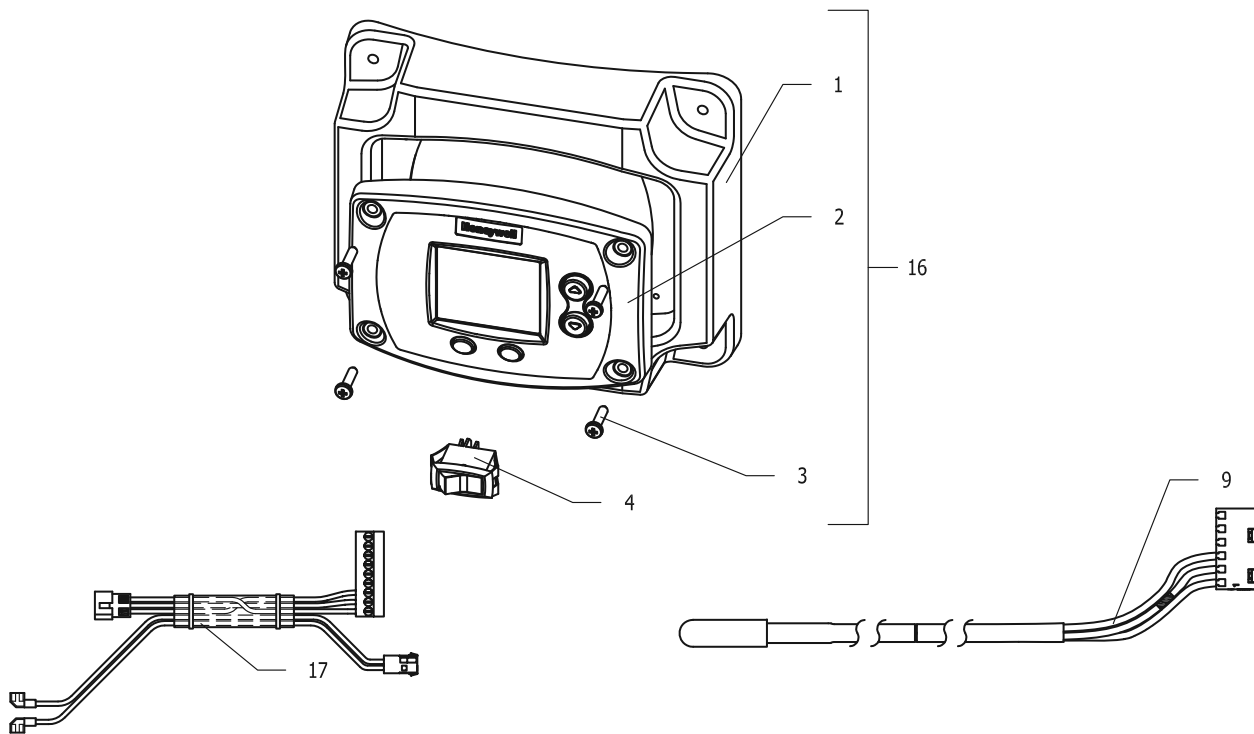


Item	Description	Model UCG100H3993N
1	Blower	265-50708-00
2	Blower Transition Gasket	239-43241-00
3	Venturi & Gas Valve Assembly	243-51208-00
4	Ground Wire	239-38951-89
5	Washer - #10 Lockwasher (Req'd)	239-18461-00
6	Venturi Gasket ◊	239-44654-00
7	Gas Piping assembly	243-50524-00
8	Screw 10-32 x .75 Skt Head Cap (4 Req'd)	239-43273-00
9	Transition Tube Blower to Burner	239-43201-00
10	Screw - #8-32 x 1/4 (4 Req'd)	239-43272-00
11	Flame Sensor	233-43232-00
12	Gasket Flame Sensor	239-43371-00
13	Igniter	239-46481-00
14	Gasket Igniter	239-43370-00
15	Nut Hex Washer (4 req'd for Trans Tube)	239-43297-00
16	Gasket Burner (2 Req'd)●	239-43246-00
17	Burner	265-46019-00
18	Burner Mounting Assembly	239-43167-00
19	Combustion Assembly Gasket	239-43197-00
20	Screw 5/16-18 x 3/4	239-32970-00
21	Burner Assembly *	243-50527-00
22	Blower and Gas Valve Assembly *	243-50525-01

* Ordering a complete assembly may increase delivery time. Please order the specific component required for the quickest delivery.

◊ Included with Item 1 & 3

● Included with Items 17 & 21



Item	Description	Model
		UCG100H3993N
1	Display Mount	239-50508-00
2	Control Display-Honeywell Integrated Control	233-48231-00
3	Screw-#8-18 X .75 for Control Display (4 req'd)	239-41104-00
4	Main Power Switch	239-50586-00
5	Transformer 120V to 24V	233-50559-00
6	Control Panel	239-50514-00
7	Integrated Control Board	233-51229-00
8	Ground Wire	239-38951-88
9	T-Stat Sensor Harness	239-48587-00
10	High Voltage Spark Cable	239-46861-00
11	Flame Sensor Wire	239-48237-00
12	Blower Harness	239-48170-00
13	Ignition Control Harness	239-51211-00
14	Power Cord Harness	239-51212-00
15	Display Assembly*	243-51213-00
16	Control Assembly*	243-51228-00
17	Control to Display Harness	239-51209-00
18	Gas Valve Harness	239-43571-00

* Ordering a complete assembly may increase delivery time. Please order the specific component required for the quickest delivery.



BRADFORD WHITE®

W A T E R H E A T E R S

Ambler, PA

For U.S. and Canada field service,
contact your professional installer or
local Bradford White sales representative.

Sales/800-523-2931
Fax/215-641-1670
Parts Fax/215-641-2180

Technical Support/800-334-3393
Fax/269-795-1089

Warranty/800-531-2111
Fax/269-795-1089

International:
Telephone/215-641-9400
Telefax/215-641-9750



BRADFORD WHITE-CANADA® INC.

Mississauga, ON

Sales/866-690-0961
905-238-0100

Fax/905-238-0105

Technical Support/800-334-3393

Email

parts@bradfordwhite.com
techserv@bradfordwhite.com

www.bradfordwhite.com