



**RESIDENTIAL & LIGHT DUTY COMMERCIAL GAS
REPLACEMENT PARTS LIST
High-Input Direct Vent (DH1, DH Series)
Energy Saver Models**



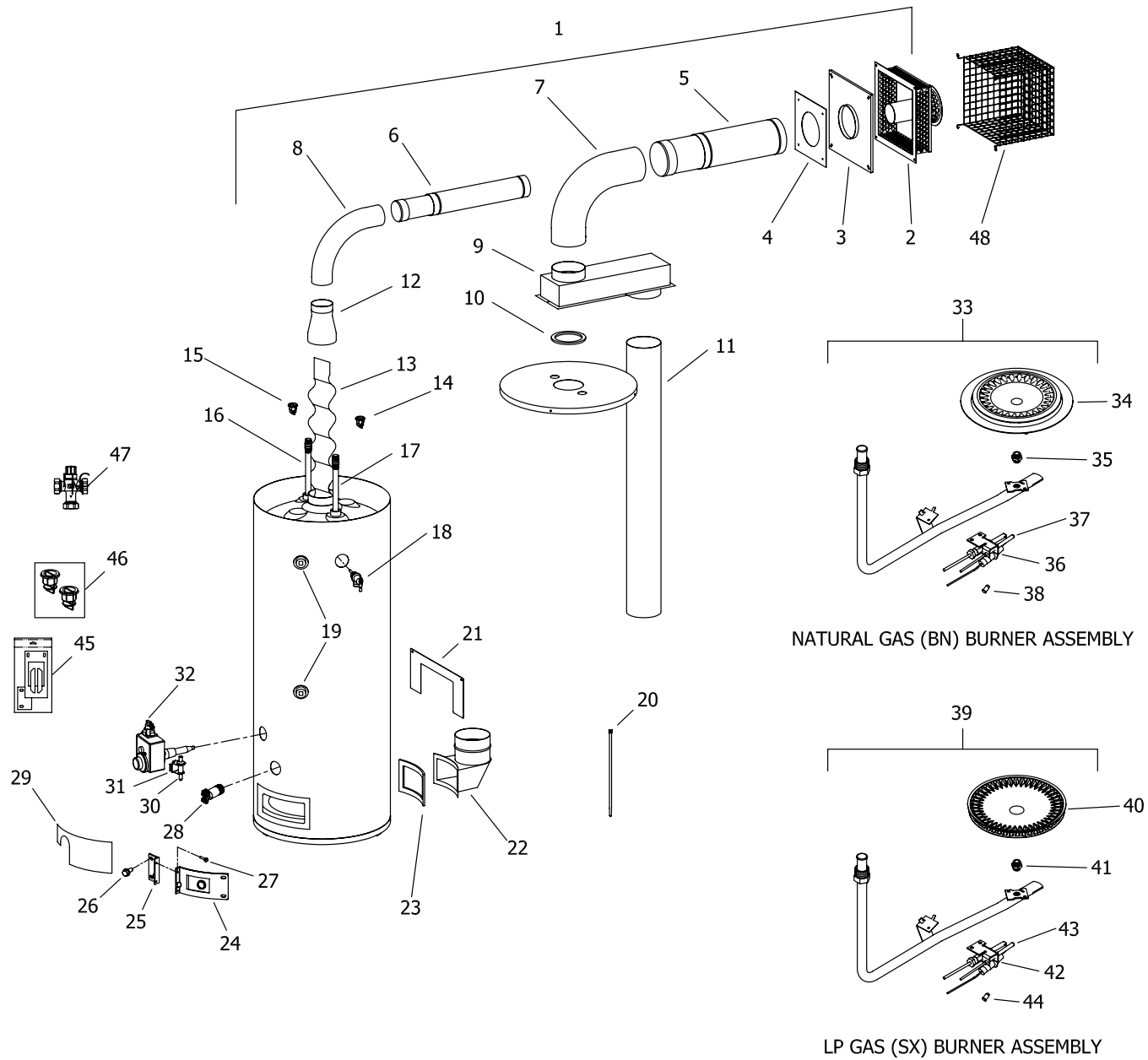
DEFENDER
SAFETY SYSTEM[®]

Includes Hydrojet[®]
Total Performance System

***Effective: July, 2008
ECO 7291-2***

**NOTE: BOTH MODEL AND SERIAL
NUMBERS ARE REQUIRED FOR
ORDERING REPLACEMENT PARTS**

Dimensions and specifications
subject to change without notice.



LP GAS (SX) BURNER ASSEMBLY TO REPLACE LP GAS (CX) BURNER ASSEMBLY
ON ALL MODELS EXCEPT 75 & 100 GAL. MODELS

Item	Description	Model	Model	Model	Model	Model	Model
		DH50T50F (B*N,C*X, S*X)	DH65T55F (B*N,C*X, S*X)	DH75T60F (B*N,C*X, S*X)	DH1504T*F (BN,CX, SX)	DH165T*F (BN,CX, SX)	DH175S*F (BN,CX, SX)
1	Vent package White	239-45412-00	239-45412-00	239-45412-00	239-45412-00	239-45412-00	239-45412-00
	Aluminum	239-42980-00	239-42980-00	239-42980-00	239-42980-00	239-42980-00	239-42980-00
	Brown (STD)	239-42979-00	239-42979-00	239-42979-00	239-42979-00	239-42979-00	239-42979-00
2	Direct Vent-Air Intake Terminal (STD Brown)	239-42832-00	239-42832-00	239-42832-00	239-42832-00	239-42832-00	239-42832-00
	Direct Vent-Air Intake Terminal (Opt. White)	239-45413-00	239-45413-00	239-45413-00	239-45413-00	239-45413-00	239-45413-00
	Direct Vent-Air Intake Terminal (Opt. Aluminum)	239-42274-00	239-42274-00	239-42274-00	239-42274-00	239-42274-00	239-42274-00
3	Outer Wall Mounting Plate (STD Brown)	239-42833-00	239-42833-00	239-42833-00	239-42833-00	239-42833-00	239-42833-00
	Outer Wall Mounting Plate (Opt. White)	239-45414-00	239-45414-00	239-45414-00	239-45414-00	239-45414-00	239-45414-00
	Outer Wall Mounting Plate (Opt. Aluminum)	239-42447-00	239-42447-00	239-42447-00	239-42447-00	239-42447-00	239-42447-00
4	Backing Plate	239-42449-00	239-42449-00	239-42449-00	239-42449-00	239-42449-00	239-42449-00
5	Six inch Diameter Telescopic Air Intake Tube (w/STD kit)	239-42459-00	239-42452-00	239-42452-00	239-42452-00	239-42452-00	239-42452-00
6	Four inch Diameter Telescopic Vent Tube (w/STD kit)	239-42460-00	239-42460-00	239-42460-00	239-42460-00	239-42460-00	239-42460-00
7	Six inch Diameter Elbow	239-42067-00	239-42067-00	239-42067-00	239-42067-00	239-42067-00	239-42067-00
8	Four inch Diameter Elbow	239-42068-00	239-42068-00	239-42068-00	239-42068-00	239-42068-00	239-42068-00
9	Plenum	239-42069-01	239-42069-02	239-42069-03	239-42069-01	239-42069-02	239-42069-03
10	Plenum Gasket	239-41070-02	239-41070-02	239-41070-02	239-41070-02	239-41070-02	239-41070-02
11	Air Intake Tube	239-41012-02	239-41012-03	239-41012-02	239-41012-02	239-41012-03	239-41012-02
12	Flue Reducer	239-42066-00	239-42066-00	239-42066-00	239-42066-00	239-42066-00	239-42066-00
13	Flue Baffle	243-44646-00	243-44650-00	243-42062-00	243-44646-00	243-44650-00	243-42062-00
14	Heat Trap Insert (Inlet)	239-45073-00	239-45073-00	239-45073-00	239-45073-00	239-45073-00	239-45073-00
15	Heat Trap Insert (Outlet)	239-45167-00	239-45167-00	239-45167-00	239-45167-00	239-45167-00	239-45167-00
16	Hot Water Outlet Anode Magnesium ▲	224-32731-86	224-32731-86	224-32731-86	224-32731-86	224-32731-83	224-32731-83
	Aluminum ▲	224-32999-30	224-32999-30	224-32999-30	224-32999-30	224-32999-06	224-32999-06
	A420 Aluminum ▲	224-45147-01	224-45147-01	224-45147-01	224-45147-01	229-45147-03	229-45147-03
17	Cold Water Inlet Dip Tube Polypropylene ▲ ▲	229-39625-20	229-39625-19	229-39625-19	229-39625-18	229-39625-06	229-39625-06
	Polysulfone (NC Code) ▲ ▲	229-39628-20	229-39628-19	229-39628-19	229-39628-18	229-39628-06	229-39628-06
18	T&P Relief Valve	230-32920-01	230-32920-01	230-32920-01	230-32920-01	230-32920-01	230-32920-01
19	3/4 NPT Plug	239-11638-00	239-11638-00	239-11638-00	239-11638-00	239-11638-00	239-11638-00
20	Wire Tie	239-44328-00	239-44328-00	239-44328-00	239-44328-00	239-44328-00	239-44328-00
21	Direct Vent Boot Escutcheon	243-46922-00	243-46922-00	243-46922-00	243-46922-00	243-46922-00	243-46922-00
22	Air Intake boot	239-46755-01	239-46755-02	239-46755-03	239-46755-01	239-46755-02	239-46755-03
23	Air Intake Boot Gasket	223-41067-00	223-41067-00	223-41067-00	223-41067-00	223-41067-00	223-41067-00
24	Right Side Inner Door	239-45642-18	239-45642-20	239-45642-20	239-45642-18	239-45642-20	239-45642-20
25	Left Side Inner Door	239-43968-18	239-43968-20	239-43968-20	239-43968-18	239-43968-20	239-43968-20
26	Screw-#10-12 x 3/4 HWH	239-44113-00	239-44113-00	239-44113-00	239-44113-00	239-44113-00	239-44113-00
27	Screw-#8-18 x 3/4 HWH	239-44195-00	239-44195-00	239-44195-00	239-44195-00	239-44195-00	239-44195-00
28	Brass Drain Valve	265-42351-02	265-42351-02	265-42351-02	265-42351-02	265-42351-02	265-42351-02
29	Outer Door	243-43962-00	243-43962-00	243-43962-00	243-43962-00	243-43962-00	243-43962-00
30	Piezo Igniter	239-43448-00	239-43448-00	239-43448-00	239-43448-00	239-43448-00	239-43448-00
31	Piezo Mounting Bracket	239-46157-02	239-46157-02	239-46157-02	239-46157-02	239-46157-02	239-46157-02
32	Combination Gas Control w/E.C.O. NAT.	265-46365-01	265-46365-01	265-46365-01	265-46181-03	265-46181-03	265-46181-03
	Combination Gas Control w/E.C.O. L.P.	265-46366-01	265-46366-01	265-46366-01	265-43182-03	265-43182-03	265-43182-03

*Applies to all warranties

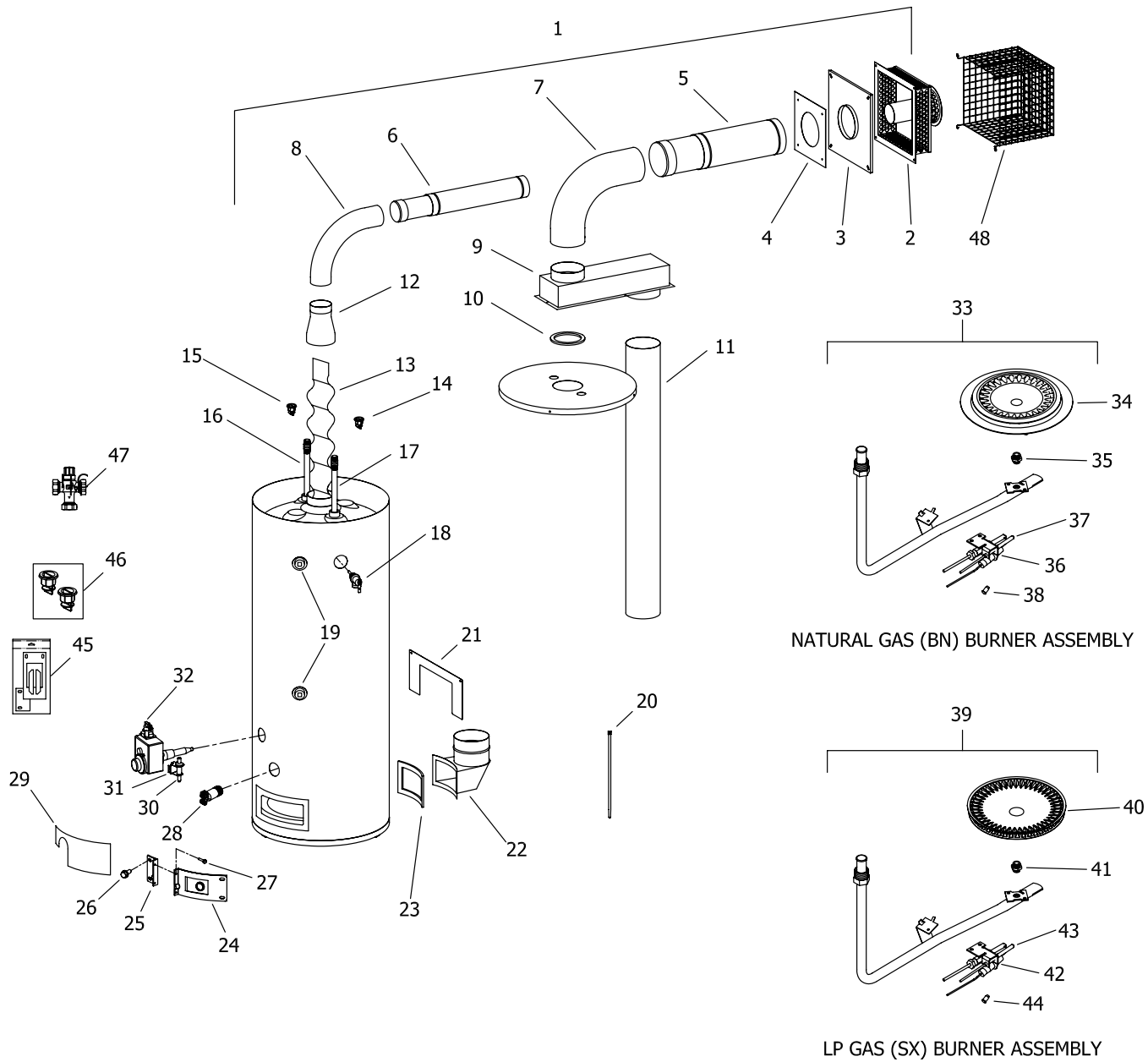
**Inner door gasket kit recommended

***Ordering a complete burner assembly may increase delivery time. Please order the specific component required for the quickest delivery.

▲ Order with item 15

▲▲ Order with item 14





LP GAS (SX) BURNER ASSEMBLY TO REPLACE LP GAS (CX) BURNER ASSEMBLY
ON ALL MODELS EXCEPT 75 & 100 GAL. MODELS

Item Description	Model DH50T50F (B*N,C*X, S*X)	Model DH65T55F (B*N,C*X, S*X)	Model DH75T60F (B*N,C*X, S*X)	Model DH1504T*F (BN,CX, SX)	Model DH165T*F (BN,CX, SX)	Model DH175S*F (BN,CX, SX)
Natural Gas BN Burner Assembly						
33 Nat Gas Burner Assembly Complete***	265-43971-03-31	265-43971-04-30	265-43971-06-29	265-43971-03-31	265-43971-04-30	265-43971-06-29
34 Nat. Gas BN Burner**	228-42506-00	228-42506-00	228-42506-00	228-42506-00	228-42506-00	228-42506-00
35 Nat. Gas Main Burner Orifice**	234-41034-31	234-41034-30	234-41034-29	234-41034-31	234-41034-30	234-41034-29
Nat. Gas High Altitude 2001 Ft. to 5000 Ft.**	234-41034-33	234-41034-31	234-41034-30	234-41034-33	234-41034-31	234-41034-30
Nat. Gas High Altitude 5001 Ft. to 8000 Ft.**	234-41034-36	234-41034-32	234-41034-31	234-41034-36	234-41034-32	234-41034-31
Nat. Gas High Altitude Over 8000 Ft.**	234-41034-38	234-41034-33	234-41034-31	234-41034-38	234-41034-33	234-41034-31
36 Nat. Gas Pilot Assembly**	233-46277-05	233-46277-03	233-46277-04	233-46277-05	233-46277-03	233-46277-04
37 Thermocouple**	233-46501-24	233-46501-24	233-46501-24	233-46501-24	233-46501-24	233-46501-24
38 Nat. Gas Pilot Orifice**	234-46502-05	234-46502-05	234-46502-05	234-46502-05	234-46502-05	234-46502-05
LP Gas SX Burner Assembly Replacement for LP Gas Cast Iron Burner						
39 LP Gas Burner Assembly Complete***	265-47440-12-47	265-47440-18-46	265-47118-04-43	265-47440-12-47	265-47440-18-46	265-47118-04-43
40 LP Gas SX Burner**	228-47000-00	228-47000-00	228-47000-00	228-47000-00	228-47000-00	228-47000-00
41 LP Gas SX Main Burner Orifice**	234-47064-47	234-47064-46	234-47064-43	234-47064-47	234-47064-46	234-47064-43
LP Gas SX High Altitude 2001 Ft. to 5000 Ft.**	234-47064-49	234-47064-48	234-47064-46	234-47064-49	234-47064-48	234-47064-46
LP Gas SX High Altitude 5001 Ft. to 8000 Ft.**	234-47064-50	234-47064-49	234-47064-47	234-47064-50	234-47064-49	234-47064-47
LP Gas SX High Altitude Over 8000 Ft.**	234-47064-51	234-47064-50	234-47064-47	234-47064-51	234-47064-50	234-47064-47
42 LP Gas SX Pilot Assembly**	233-46278-03	233-46278-03	233-46278-03	233-46278-03	233-46278-03	233-46278-03
43 Thermocouple**	233-46501-24	233-46501-24	233-46501-24	233-46501-24	233-46501-24	233-46501-24
44 LP Gas SX Pilot Orifice**	234-46502-02	234-46502-02	233-46502-02	234-46502-02	234-46502-02	233-46502-02
45 Inner Door Gasket Kit	239-44078-00	239-44078-00	239-44078-00	239-44078-00	239-44078-00	239-44078-00
46 Heat Trap Insert Kit	265-45419-00	265-45419-00	265-45419-00	265-45419-00	265-45419-00	265-45419-00
47 ASSE Approved Mixing Valve (Optional)	239-43740-01	239-43740-01	239-43740-01	239-43740-01	239-43740-01	239-43740-01
48 Direct Vent-Air Intake Terminal Guard (Optional)	239-41453-00	239-41453-00	239-41453-00	239-41453-00	239-41453-00	239-41453-00
- LP to Natural Gas Conversion Kit (Norm Alt.)	265-45712-41	265-45712-42	265-45712-43	265-45712-33	265-45712-34	265-45712-35
- LP to Natural Gas Conversion Kit (High Alt.)	265-45712-44	265-45712-45	265-45712-46	265-45712-38	265-45712-39	265-45712-40

*Applies to all warranties

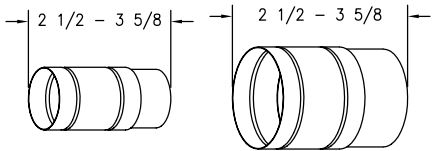
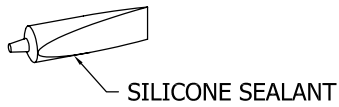
**Inner door gasket kit recommended

***Ordering a complete burner assembly may increase delivery time. Please order the specific component required for the quickest delivery.

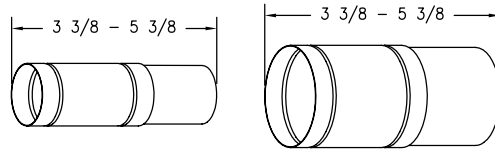
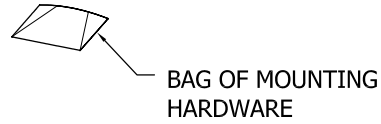
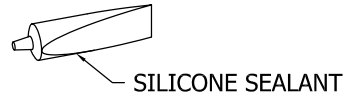
▲ Order with item 15

▲▲ Order with item 14

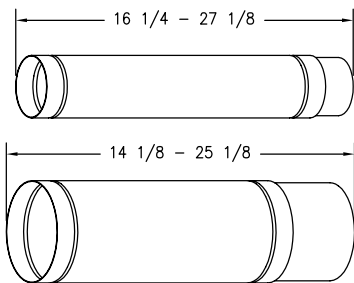




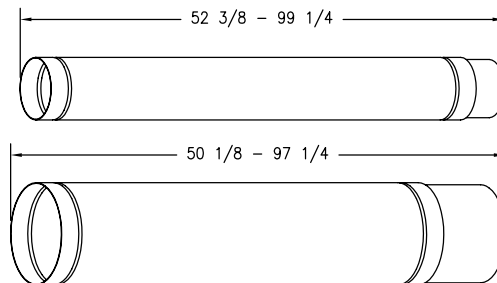
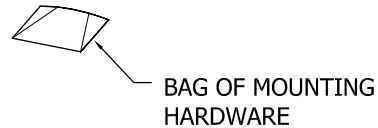
DIRECT VENT-AIR INTAKE KIT F
PART NO. 239-42516-00 (OPTIONAL)



DIRECT VENT-AIR INTAKE KIT G
PART NO. 239-42517-00 (OPTIONAL)



DIRECT VENT-AIR INTAKE KIT H
PART NO. 239-42514-00 (OPTIONAL)
ABOVE TUBE LENGTHS SUPPLIED WITH HEATER



DIRECT VENT-AIR INTAKE KIT I
PART NO. 239-42512-00 (OPTIONAL)

VENT KITS

Horizontal "X"

		16 1/4 17 3/16	18 20 11/16	25 1/4 35 3/16	37 3/4 57 7/8	61 5/16 107 5/16
Vertical "y"	11 9/16	order kit F 239-42516-00	order kit G 239-42517-00	no add'l kit req'd	order kit H 239-42514-00	order kit I 239-42512-00
	16 5/16 17 1/4	order kit F *(2) 239-42516-00	order kit F & G 239-42516-00 239-42517-00	order kit F 239-42516-00	order kit F & H 239-42516-00 239-42514-00	order kit F & I 239-42516-00 239-42512-00
	18 1/16 20 3/4	order kit F & G 239-42516-00 239-42517-00	order kit G *(2) 239-42517-00	order kit G 239-42517-00	order kit G & H 239-42517-00 239-42514-00	order kit G & I 239-42517-00 239-42512-00
	25 5/16 35 1/4	order kit F 239-42516-00	order kit G 239-42517-00	order kit H 239-42514-00	order kit H *(2) 239-42514-00	order kit I 239-42512-00
	38 1/16 57 15/16	order kit F & H 239-42516-00 239-42514-00	order kit G & H 239-42517-00 239-42514-00	order kit H *(2) 239-42514-00	order kit H *(3) 239-42514-00	order kit H & I 239-42514-00 239-42512-00
	61 3/8 107 3/8	order kit F & I 239-42516-00 239-42512-00	order kit G & I 239-42517-00 239-42512-00	order kit I 239-42512-00	order kit H & I 239-42514-00 239-42512-00	order kit I *(2) 239-42512-00

*(2) = Order two kits

*(3) = Order three kits



BRADFORD WHITE[®]

W A T E R H E A T E R S

Ambler, PA

For U.S. and Canada field service,
contact your professional installer or
local Bradford White sales representative.

Sales/800-523-2931
Fax/215-641-1670
Parts Fax/215-641-2180

Technical Support/800-334-3393
Fax/269-795-1089

Warranty/800-531-2111
Fax/269-795-1089

International:
Telephone/215-641-9400
Telefax/215-641-9750



BRADFORD WHITE-CANADA[®] INC.

Mississauga, ON

Sales/866-690-0961
905-238-0100

Fax/905-238-0105

Technical Support/800-334-3393

Email

parts@bradfordwhite.com
techserv@bradfordwhite.com

www.bradfordwhite.com