



BRADFORD WHITE[®]
W A T E R H E A T E R S

RESIDENTIAL GAS REPLACEMENT PARTS LIST

**Combi2™ TTW[®] Models
(CSW2TW, CDW2TW)**



DEFENDER
SAFETY SYSTEM[®]

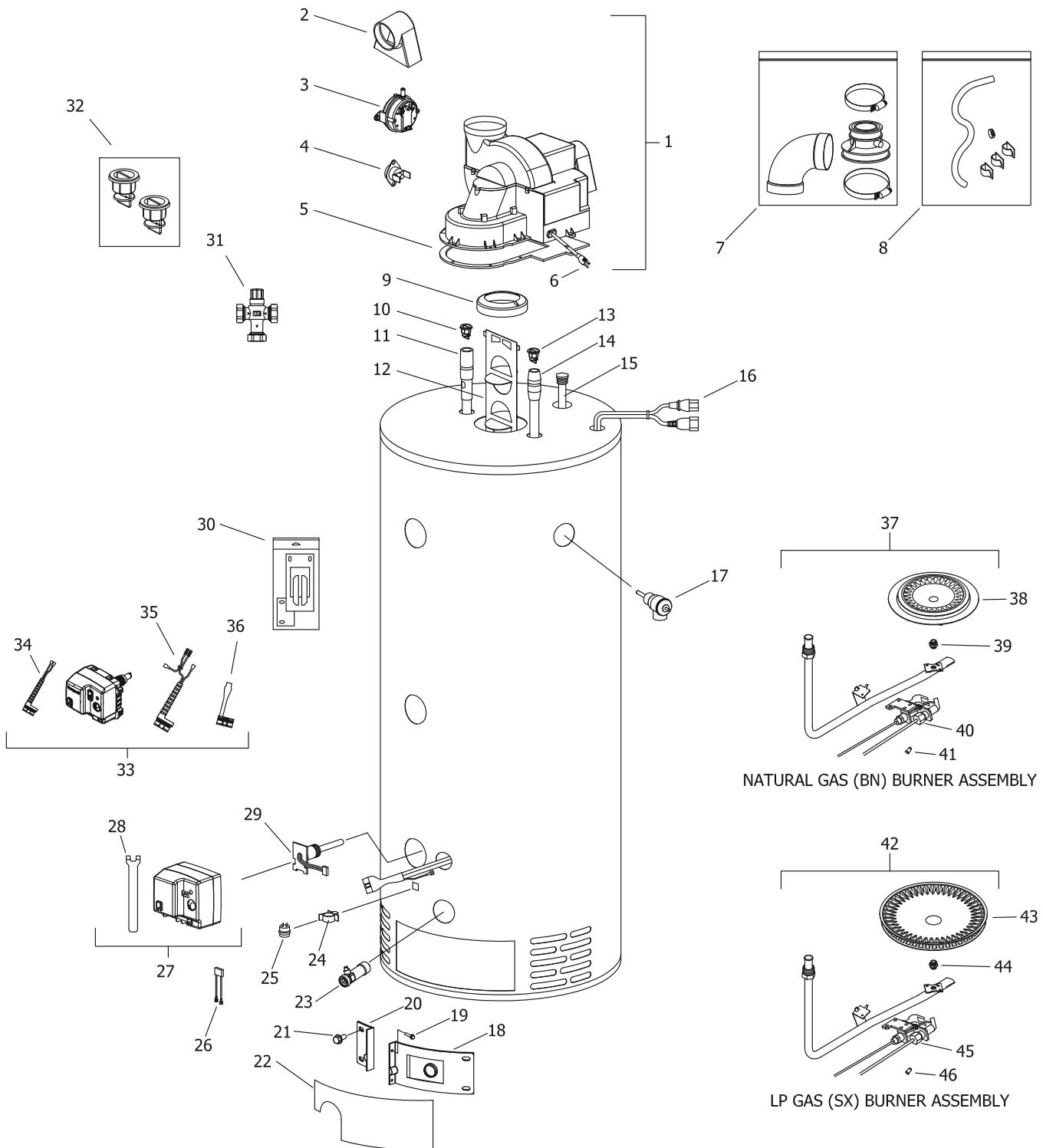
Includes Hydrojet[®]
Total Performance System

Effective: April, 2014
ECO 7928

**NOTE: BOTH MODEL AND SERIAL
NUMBERS ARE REQUIRED FOR
ORDERING REPLACEMENT PARTS**

Dimensions and specifications
subject to change without notice.

CDW2TW50T SERIES



NATURAL GAS (BN) BURNER ASSEMBLY

LP GAS (SX) BURNER ASSEMBLY

LP GAS (SX) BURNER ASSEMBLY TO REPLACE LP GAS (CX) BURNER ASSEMBLY
ON ALL MODELS EXCEPT 75 & 100 GAL. NON-DEFENDER MODELS

Item	Description	Model
		C(D,S)W2TW50T10F(BN,CX,SX)
1	Blower Complete (Normal altitude)	265-45583-00
	Blower Complete (High altitude)	243-45986-00
2	Air Mixing Inlet	239-45868-00
3	Pressure Switch (Normal altitude)	239-45867-02
	Pressure Switch (High altitude)	239-45867-04
4	Blower Temperature Switch	239-45865-00
5	Blower Gasket	239-45866-00
6	Blower Power Cord	239-45990-00
7	3" Vent Adaptor with Vent Terminal	239-46264-00
8	Condensate Hose Kit (Optional)	239-45875-00
9	Flue Reducer	243-42572-00
10	Heat Trap Insert (Outlet)	239-45167-00
11	Hot Water Outlet Anode (Aluminum) ▲	224-47778-11
	Hot Water Outlet Anode (A420 Aluminum) ▲#	224-49560-08
12	Flue Baffle	239-45373-00
13	Heat Trap Insert (Inlet)	239-45073-00
14	Cold Water Inlet Dip Tube ▲▲	229-45092-01
15	Plug Type Anode (Aluminum)	224-47783-07
16	Blower Harness	239-45617-02
17	T&P Valve	230-40594-02
18	Right Side Inner Door	239-45642-18
19	Screw #8-15 x 3/4	239-44195-00
20	Left side Inner door	239-43968-18
21	Screw #10-12 x 3/4	239-44113-00
22	Outer Door	243-43962-00
23	Brass Drain Valve	227-48070-02
24	Flammable Vapor Sensor Clip	239-45648-00
25	Flammable Vapor Sensor	239-45560-00
26	Sensor Harness	239-45620-00
27	Gas Valve Natural Gas♦	239-45613-02
	Gas Valve LP Gas♦	239-45614-02
28	Gas Valve Service Tool♦	239-45991-00
29	Thermal Well♦	239-45651-02
30	Kit-Inner Door Gasket	239-44078-00
31	ASSE Approved Mixing Valve	239-43740-01
32	Kit-Heat Trap Insert	265-45419-00
33	Gas Valve Natural Gas♦♦	239-48795-04
	Gas Valve LP Gas♦♦	239-48796-04
34	Flammable Vapor Sensor Harness♦♦	239-49791-00
35	FV Sensor and Thermal Switch Harness♦♦	239-50066-00
36	Simulated Resistive Device Harness♦♦	239-49817-00
Natural Gas (BN) Burner Assembly		
37	Nat. Gas (BN) Burner Assembly Complete**	265-47439-06-26
38	Nat. Gas (BN) Burner*	228-42506-00
39	Nat. Gas (BN) Main Burner Orifice*	234-41034-26
	Nat. Gas (BN) High Altitude 2000 Ft. to 5000 Ft.*	234-41034-29
	Nat. Gas (BN) High Altitude 5000 Ft. to 8000 Ft.*	234-41034-30
	Nat. Gas (BN) High Altitude Over 8000 Ft.*	234-41034-31
40	Nat. Gas Pilot Assembly*	233-45653-02
41	Nat. Gas Pilot Orifice*	234-45869-01
LP Gas (SX) Burner Assembly Replacement for LP Gas (CX) Cast Iron Burner Assembly		
42	LP Gas (SX) Burner Assembly Complete**	265-47440-10-43
43	LP Gas (SX) Burner*	228-47000-00
44	LP Gas (SX) Main Burner Orifice*	234-35928-43
	LP Gas (SX) High Altitude 2000 Ft. to 5000 Ft.*	234-35928-44
	LP Gas (SX) High Altitude 5000 Ft. to 8000 Ft.*	234-35928-47
	LP Gas (SX) High Altitude Over 8000 Ft.*	234-35928-47
45	LP Gas Pilot Assembly*	233-45653-04
46	LP Gas Pilot Orifice*	234-45869-02

*Inner door gasket kit recommended

**Ordering a complete burner assembly may increase delivery time. Please order the specific component required for the quickest delivery.

▲ Order with item 10.

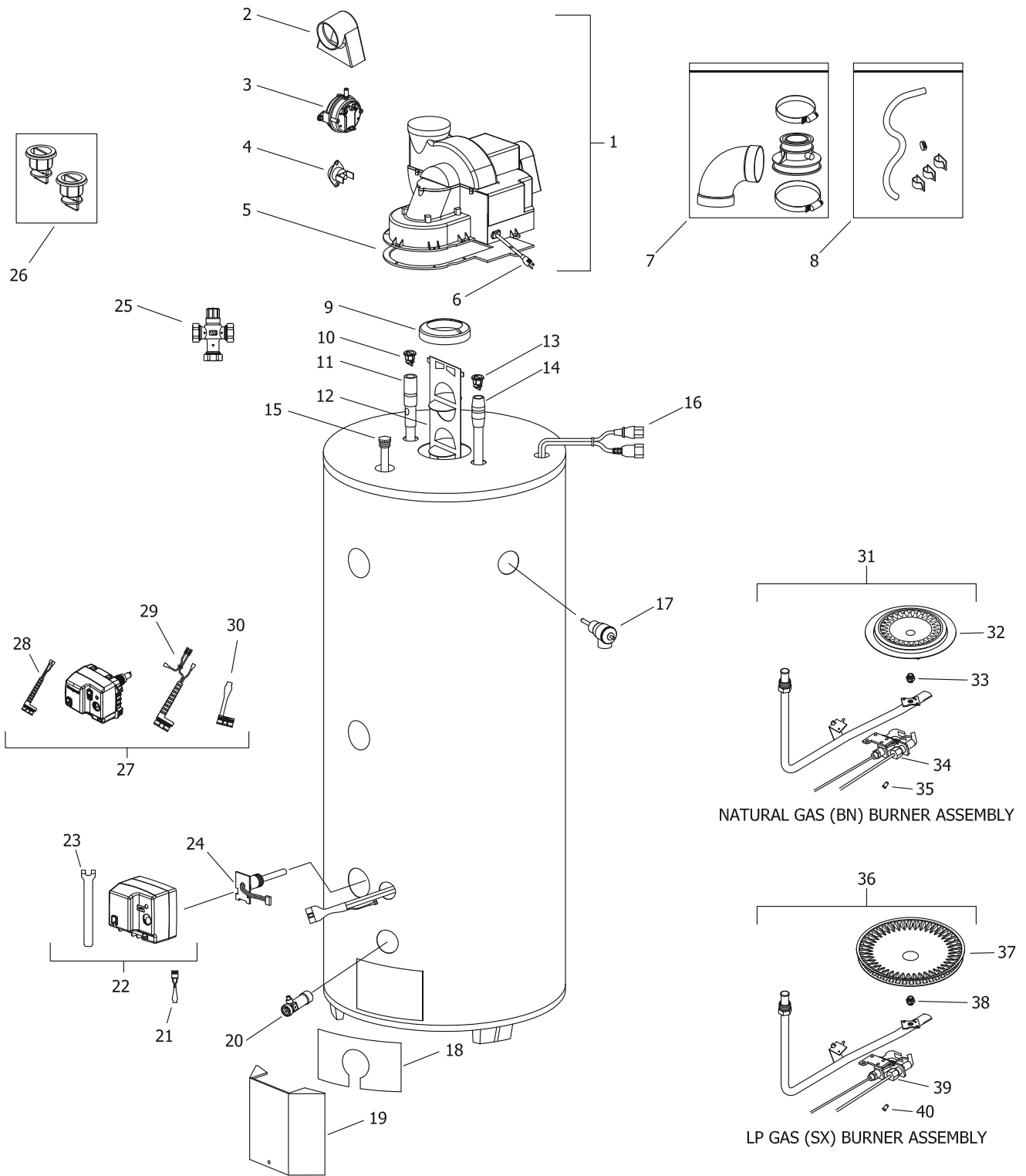
▲▲ Order with item 13.

A420 Anode may need to be cut to length

♦ For serial numbers beginning with "J" or sooner

♦♦ For serial numbers beginning with "K" or later

CDW2TW75T SERIES



LP GAS (SX) BURNER ASSEMBLY TO REPLACE LP GAS (CX) BURNER ASSEMBLY
ON ALL MODELS EXCEPT 75 & 100 GAL. NON-DEFENDER MODELS

Item	Description	Model
		C(D,S)W2TW75T10(BN,CX,SX)
1	Blower Complete (Normal altitude)	239-45583-00
	Blower Complete (High altitude)	243-45986-00
2	Air Mixing Inlet	239-45868-00
3	Pressure Switch (Normal altitude)	239-45867-02
	Pressure Switch (High altitude)	239-45867-04
4	Blower Temperature Switch	239-45865-00
5	Blower Gasket	239-45866-00
6	Blower Power Cord	239-45990-00
7	3" Vent Adaptor with Vent Terminal	239-46264-00
8	Condensate Hose Kit (Optional)	239-45875-00
9	Flue Reducer	243-42572-00
10	Heat Trap Insert (Outlet)	239-45073-00
11	Hot Water Outlet Anode (Aluminum) ▲	224-47778-12
	Hot Water Outlet Anode (A420 Aluminum) ▲#	224-49560-08
12	Flue Baffle	239-45373-00
13	Heat Trap Insert (Inlet)	239-45073-00
14	Cold Water Inlet Dip Tube ▲▲	229-39628-15
15	Plug Type Anode (Aluminum)	224-47783-07
16	Blower Harness	239-45617-02
17	T&P Valve	230-40594-02
18	Inner Door	243-39207-00
19	Outer Door	243-37177-00
20	Brass Drain Valve	227-48070-02
21	Harness Simulated Resistive Device ♦	239-45949-00
22	Gas Valve Natural Gas ♦	239-45613-02
	Gas Valve LP Gas ♦	239-45614-02
23	Gas Valve Service Tool ♦	239-45991-00
24	Thermal Well ♦	239-45651-02
25	ASSE Approved Mixing Valve	239-43740-01
26	Kit-Heat Trap Insert	265-45419-00
27	Gas Valve Natural Gas ♦♦	239-48795-04
	Gas Valve LP Gas ♦♦	239-48796-04
28	Flammable Vapor Sensor Harness ♦♦	239-49791-00
29	FV Sensor and Thermal Switch Harness ♦♦	239-50066-00
30	Simulated Resistive Device Harness ♦♦	239-49817-00
	Natural Gas (BN) Burner Assembly	
31	Nat. Gas (BN) Burner Assembly Complete**	265-45652-03-21
32	Nat. Gas (BN) Burner*	228-42506-00
33	Nat. Gas (BN) Main Burner Orifice*	234-41034-21
	Nat. Gas (BN) High Altitude 2000 Ft. to 5000 Ft.*	234-41034-29
	Nat. Gas (BN) High Altitude 5000 Ft. to 8000 Ft.*	234-41034-31
	Nat. Gas (BN) High Altitude Over 8000 Ft.*	234-41034-21
34	Nat. Gas Pilot Assembly*	233-45653-02
35	Nat. Gas Pilot Orifice*	234-45869-01
	LP Gas (SX) Burner Assembly	Replacement for LP Gas (CX) Cast Iron Burner Assembly
36	LP Gas (SX) Burner Assembly Complete**	265-47112-01-41
37	LP Gas (SX) Burner*	228-46938-00
38	LP Gas (SX) Main Burner Orifice*	234-47064-41
	LP Gas (SX) High Altitude 2000 Ft. to 5000 Ft.*	234-47064-44
	LP Gas (SX) High Altitude 5000 Ft. to 8000 Ft.*	234-47064-44
	LP Gas (SX) High Altitude Over 8000 Ft.*	234-47064-45
39	LP Gas Pilot Assembly*	233-45653-04
40	LP Gas Pilot Orifice*	234-45869-01

*Inner door gasket kit recommended

**Ordering a complete burner assembly may increase delivery time. Please order the specific component required for the quickest delivery.

▲ Order with item 10.

▲▲ Order with item 13.

A420 Anode may need to be cut to length

♦ For serial numbers beginning with "J" or sooner

♦♦ For serial numbers beginning with "K" or later



BRADFORD WHITE®

W A T E R H E A T E R S

Ambler, PA

For U.S. and Canada field service,
contact your professional installer or
local Bradford White sales representative.

Sales/800-523-2931
Fax/215-641-1670
Parts Fax/215-641-2180

Technical Support/800-334-3393
Fax/269-795-1089

Warranty/800-531-2111
Fax/269-795-1089

International:
Telephone/215-641-9400
Telefax/215-641-9750



BRADFORD WHITE-CANADA® INC.

Mississauga, ON

Sales/866-690-0961
905-238-0100

Fax/905-238-0105

Technical Support/800-334-3393

Email

parts@bradfordwhite.com
techserv@bradfordwhite.com

www.bradfordwhite.com