



COMMERCIAL POWER



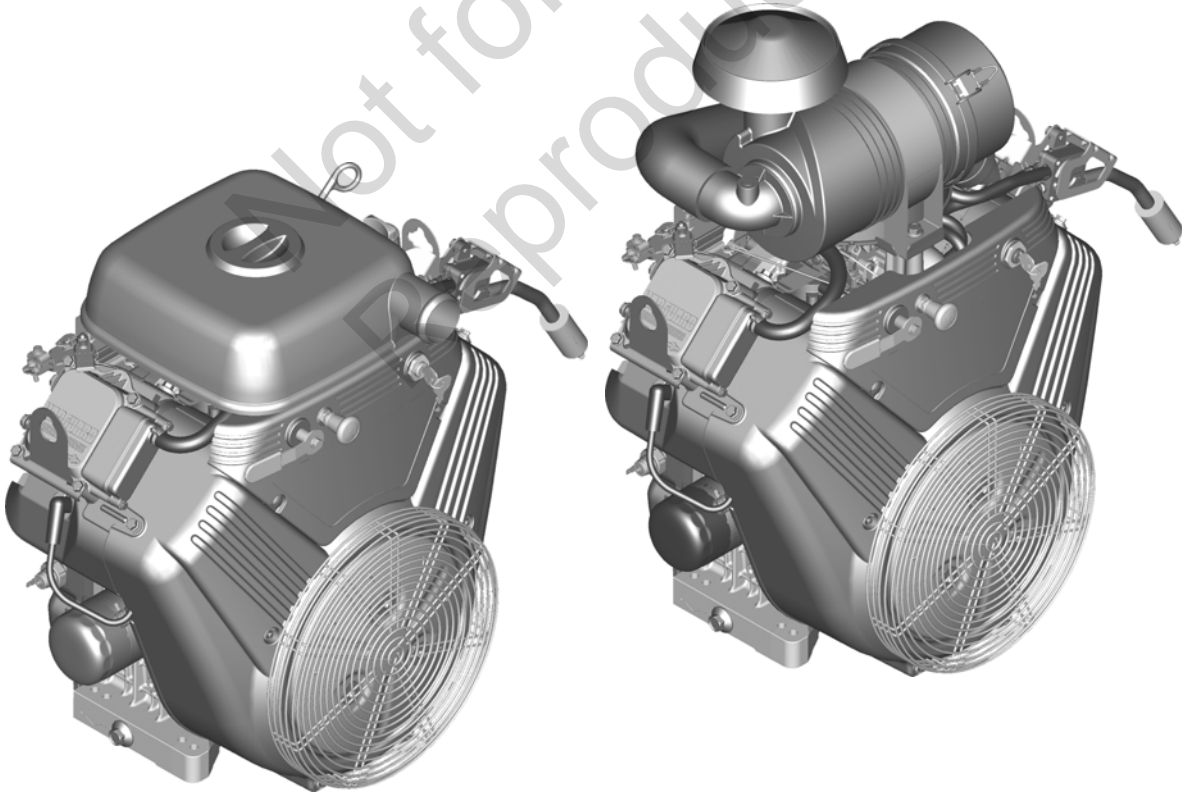
- en** *Operator's Manual*
- da** *Betjeningsvejledning*
- de** *Bedienungsanleitung*
- el** *Εγχειρίδιο Χρήσης*
- es** *Manual del Operario*
- fi** *Käyttäjän käsikirja*
- fr** *Manuel de l'opérateur*
- it** *Manuale dell'Operatore*
- nl** *Gebruiksaanwijzing*
- no** *Brukerhåndbok*
- pt** *Manual do Operador*
- sv** *Instruktionsbok*

Model 540000

Vanguard™  
Gasoline

Model 610000

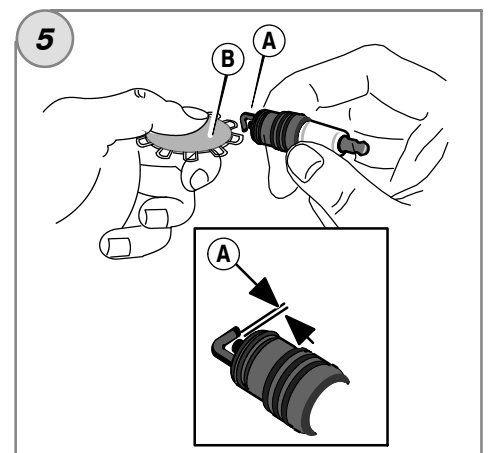
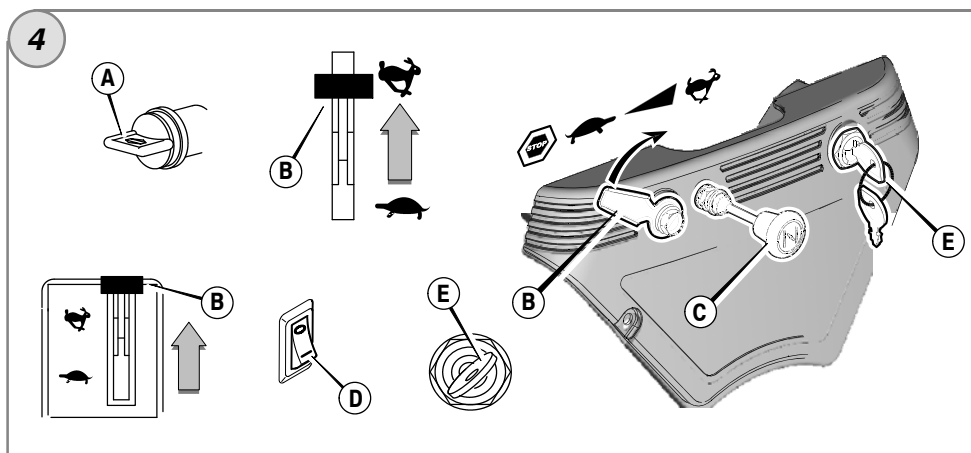
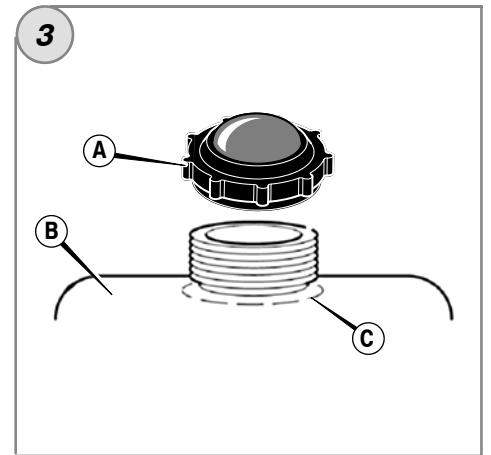
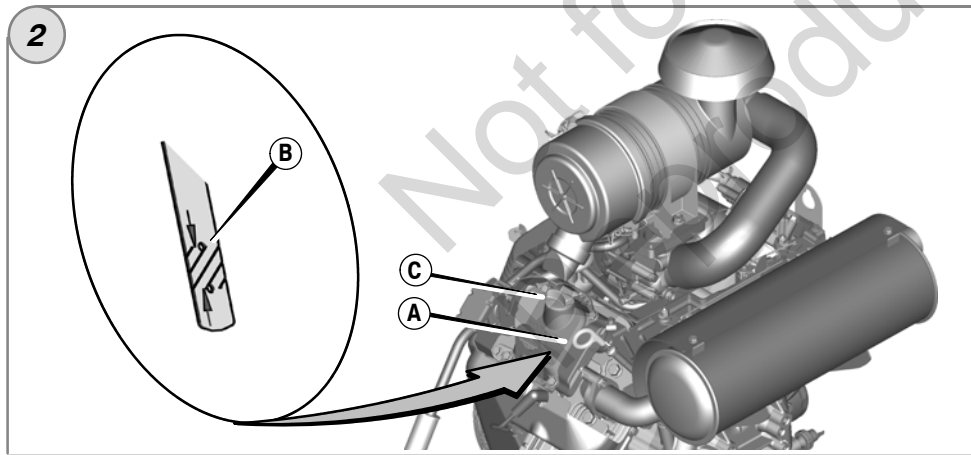
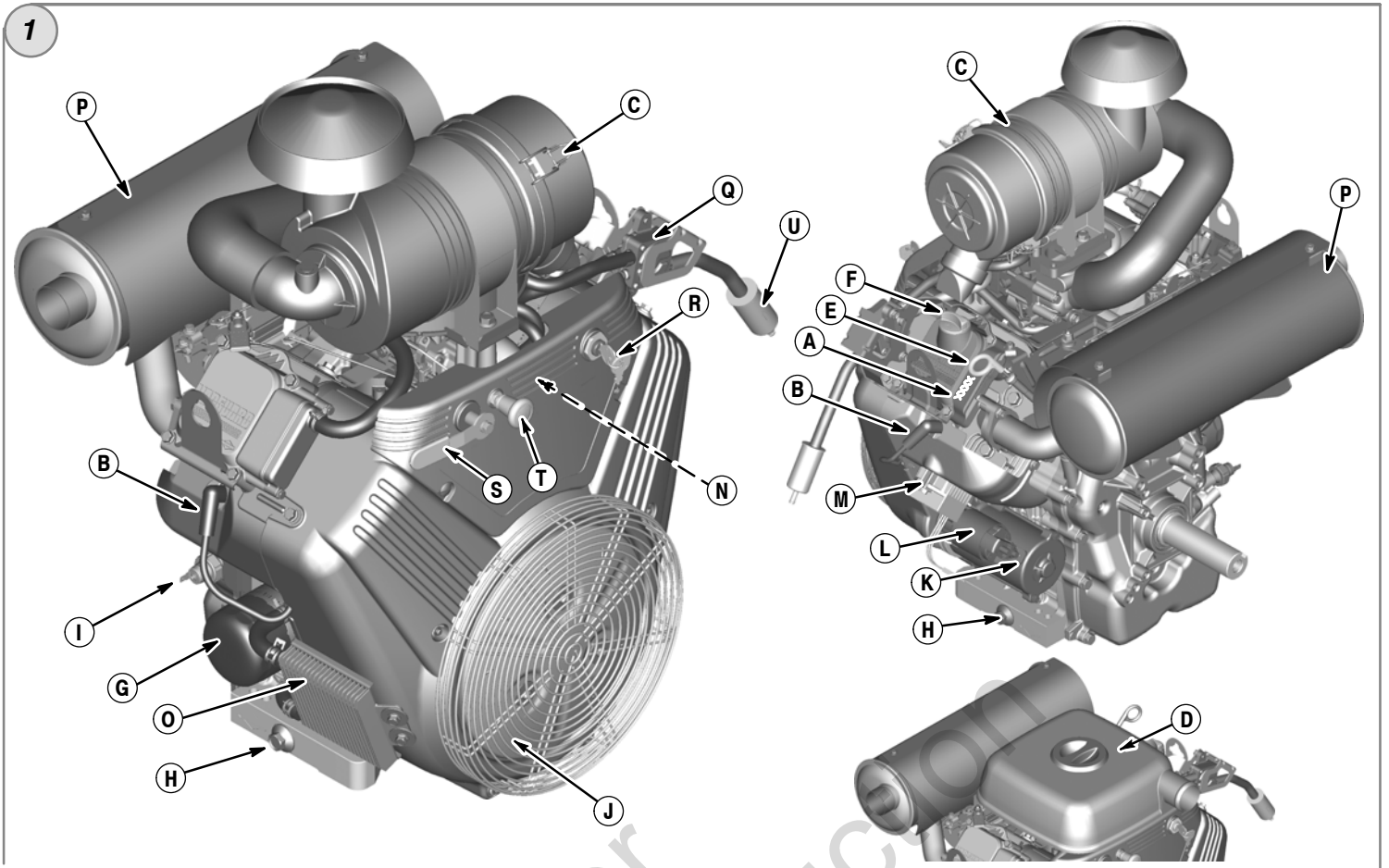
Vanguard™  
Gasoline

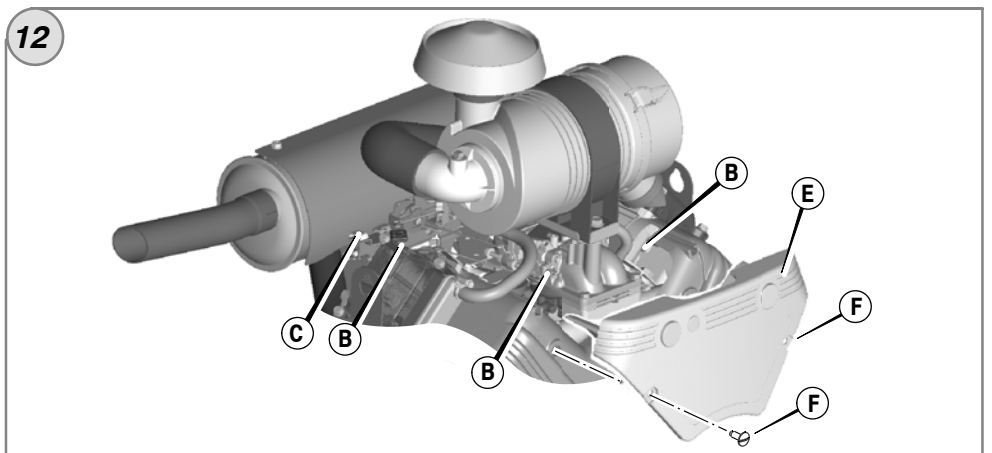
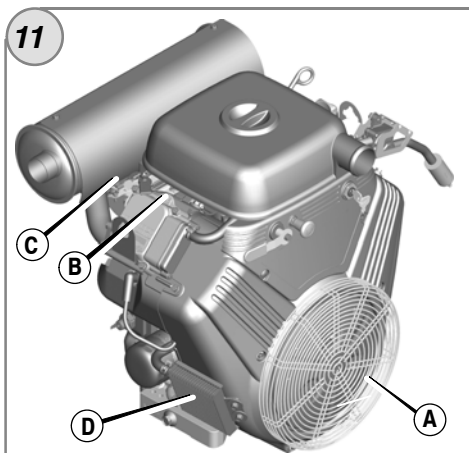
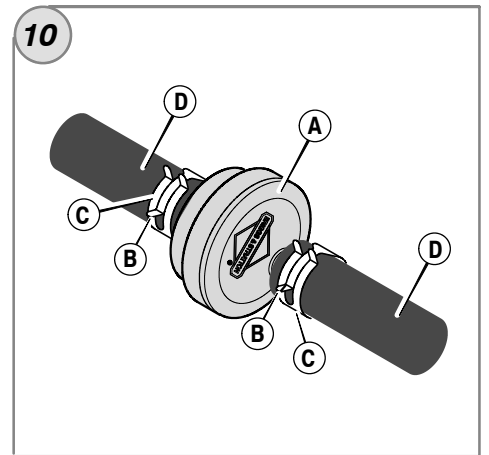
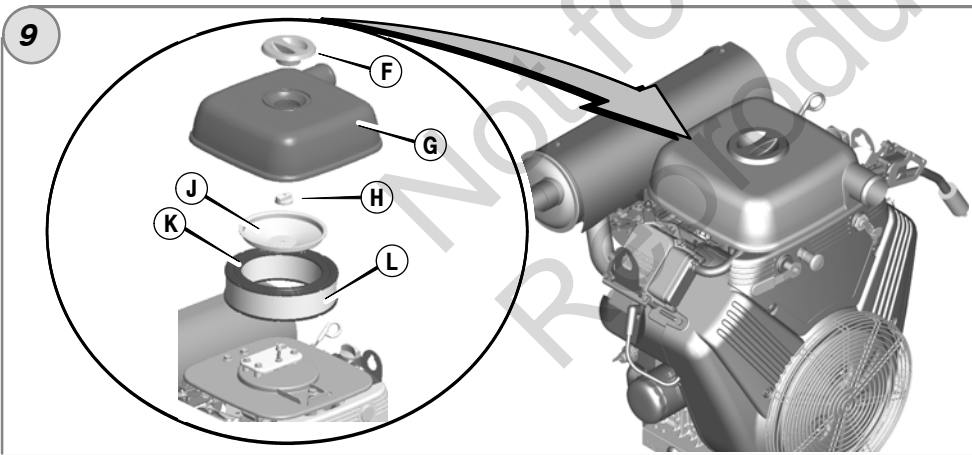
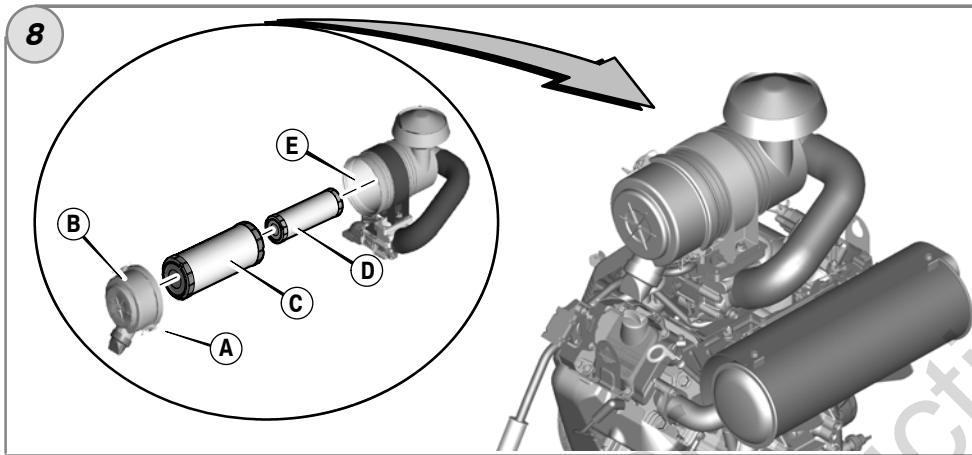
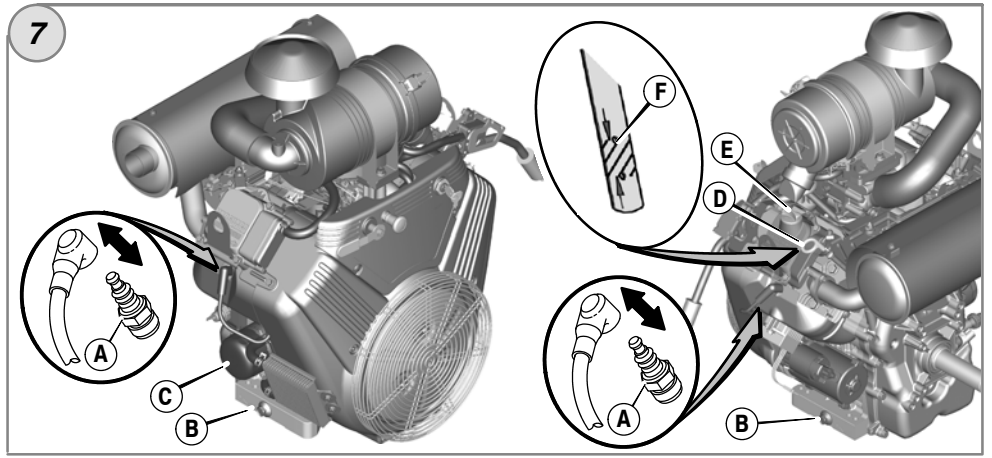
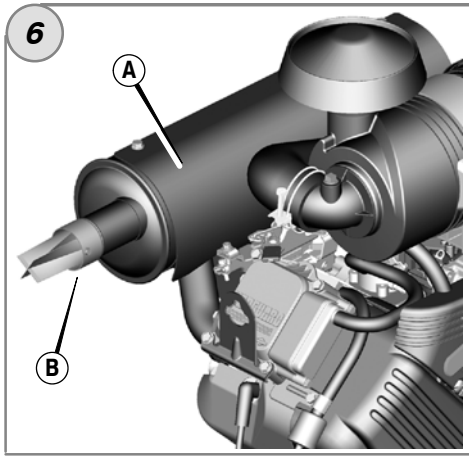


Copyright © 2013 Briggs & Stratton Corporation,  
Milwaukee, WI, USA. All rights reserved.  
Briggs & Stratton is a registered trademark  
of Briggs & Stratton Corporation.

Form No. 279773WST  
Revision: E

English	Dansk	Deutsch	Ελληνικά	Español	Suomi	Français	Italiano	Nederlands	Norsk	Português	Svenska
<b>en</b>	<b>da</b>	<b>de</b>	<b>el</b>	<b>es</b>	<b>fi</b>	<b>fr</b>	<b>it</b>	<b>nl</b>	<b>no</b>	<b>pt</b>	<b>sv</b>





## General Information

This manual contains safety information to make you aware of the hazards and risks associated with engines and how to avoid them. It also contains instructions for the proper use and care of the engine. Because Briggs & Stratton Corporation does not necessarily know what equipment this engine will power, it is important that you read and understand these instructions and the instructions for the equipment. **Save these original instructions for future reference.**

For replacement parts or technical assistance, record below the engine model, type, and code numbers along with the date of purchase. These numbers are located on your engine (see the **Features and Controls** page).

**Date of purchase:** \_\_\_\_\_  
MM/DD/YYYY

**Engine model:** \_\_\_\_\_  
Model:                      Type:                      Code:

**Power Ratings:** The gross power rating for individual gasoline engine models is labeled in accordance with SAE (Society of Automotive Engineers) code J1940 Small Engine Power & Torque Rating Procedure, and is rated in accordance with SAE J1995. Torque values are derived at 2600 RPM for those engines with "rpm" called out on the label and 3060 RPM for all others; horsepower values are derived at 3600 RPM. The gross power curves can be viewed at [www.BRIGGSandSTRATTON.COM](http://www.BRIGGSandSTRATTON.COM). Net power values are taken with exhaust and air cleaner installed whereas gross power values are collected without these attachments. Actual gross engine power will be higher than net engine power and is affected by, among other things, ambient operating conditions and engine-to-engine variability. Given the wide array of products on which engines are placed, the gasoline engine may not develop the rated gross power when used in a given piece of power equipment. This difference is due to a variety of factors including, but not limited to, the variety of engine components (air cleaner, exhaust, charging, cooling, carburetor, fuel pump, etc.), application limitations, ambient operating conditions (temperature, humidity, altitude), and engine-to-engine variability. Due to manufacturing and capacity limitations, Briggs & Stratton may substitute an engine of higher rated power for this engine.

## Operator Safety

### SAFETY AND CONTROL SYMBOLS



The safety alert symbol is used to identify safety information about hazards that can result in personal injury. A signal word (DANGER, WARNING, or CAUTION) is used with the alert symbol to indicate the likelihood and the potential severity of injury. In addition, a hazard symbol may be used to represent the type of hazard.

- DANGER** indicates a hazard which, if not avoided, **will result in death or serious injury.**
- WARNING** indicates a hazard which, if not avoided, **could result in death or serious injury.**
- CAUTION** indicates a hazard which, if not avoided, **could result in minor or moderate injury.**

**NOTICE** indicates a situation that **could result in damage to the product.**

**WARNING**  
Certain components in this product and its related accessories contain chemicals known to the State of California to cause cancer, birth defects, or other reproductive harm. Wash hands after handling.

**WARNING**  
The engine exhaust from this product contains chemicals known to the State of California to cause cancer, birth defects, or other reproductive harm.

**WARNING**  
Briggs & Stratton Engines are not designed for and are not to be used to power: fun-karts; go-karts; children's, recreational, or sport all-terrain vehicles (ATVs); motorbikes; hovercraft; aircraft products; or vehicles used in competitive events not sanctioned by Briggs & Stratton. For information about competitive racing products, see [www.briggsracing.com](http://www.briggsracing.com). For use with utility and side-by-side ATVs, please contact Briggs & Stratton Engine Application Center, 1-866-927-3349. Improper engine application may result in serious injury or death.

**NOTICE:** This engine was shipped from Briggs & Stratton without oil. Before you start the engine, make sure you add oil according to the instructions in this manual. If you start the engine without oil, it will be damaged beyond repair and will not be covered under warranty.



## WARNING



**Fuel and its vapors are extremely flammable and explosive.  
Fire or explosion can cause severe burns or death.**

### When Adding Fuel

- Turn engine off and let engine cool at least 2 minutes before removing the fuel cap.
- Fill fuel tank outdoors or in well-ventilated area.
- Do not overfill fuel tank. To allow for expansion of the fuel, do not fill above the bottom of the fuel tank neck.
- Keep fuel away from sparks, open flames, pilot lights, heat, and other ignition sources.
- Check fuel lines, tank, cap, and fittings frequently for cracks or leaks. Replace if necessary
- If fuel spills, wait until it evaporates before starting engine.

### When Starting Engine

- Ensure that spark plug, muffler, fuel cap and air cleaner (if equipped) are in place and secured.
- Do not crank engine with spark plug removed.
- If engine floods, set choke (if equipped) to OPEN/RUN position, move throttle (if equipped) to FAST position and crank until engine starts.

### When Operating Equipment

- Do not tip engine or equipment at angle which causes fuel to spill.
- Do not choke the carburetor to stop engine.
- Never start or run the engine with the air cleaner assembly (if equipped) or the air filter (if equipped) removed.

### When Changing Oil

- When you drain the oil from the top oil fill tube, the fuel tank must be empty or fuel can leak out and result in a fire or explosion.

### When Tipping Unit for Maintenance

- When performing maintenance that requires the unit to be tipped, the fuel tank must be empty or fuel can leak out and result in a fire or explosion.

### When Transporting Equipment

- Transport with fuel tank EMPTY or with fuel shut-off valve OFF.

### When Storing Fuel Or Equipment With Fuel In Tank

- Store away from furnaces, stoves, water heaters or other appliances that have pilot lights or other ignition sources because they can ignite fuel vapors.



## WARNING



**Starting engine creates sparking.  
Sparking can ignite nearby flammable gases.  
Explosion and fire could result.**

- If there is natural or LP gas leakage in area, do not start engine.
- Do not use pressurized starting fluids because vapors are flammable.



## WARNING



**POISONOUS GAS HAZARD. Engine exhaust contains carbon monoxide, a poisonous gas that could kill you in minutes. You CANNOT see it, smell it, or taste it. Even if you do not smell exhaust fumes, you could still be exposed to carbon monoxide gas. If you start to feel sick, dizzy, or weak while using this product, shut it off and get to fresh air RIGHT AWAY. See a doctor. You may have carbon monoxide poisoning.**

- Operate this product ONLY outside far away from windows, doors and vents to reduce the risk of carbon monoxide gas from accumulating and potentially being drawn towards occupied spaces.
- Install battery-operated carbon monoxide alarms or plug-in carbon monoxide alarms with battery back-up according to the manufacturer's instructions. Smoke alarms cannot detect carbon monoxide gas.
- DO NOT run this product inside homes, garages, basements, crawlspaces, sheds, or other partially-enclosed spaces even if using fans or opening doors and windows for ventilation. Carbon monoxide can quickly build up in these spaces and can linger for hours, even after this product has shut off.
- ALWAYS place this product downwind and point the engine exhaust away from occupied spaces.



## WARNING



**Rapid retraction of starter cord (kickback) will pull hand and arm toward engine faster than you can let go.  
Broken bones, fractures, bruises or sprains could result.**

- When starting engine, pull the starter cord slowly until resistance is felt and then pull rapidly to avoid kickback.
- Remove all external equipment/engine loads before starting engine.
- Direct-coupled equipment components such as, but not limited to, blades, impellers, pulleys, sprockets, etc., must be securely attached.



## WARNING



**Rotating parts can contact or entangle hands, feet, hair, clothing, or accessories.  
Traumatic amputation or severe laceration can result.**

- Operate equipment with guards in place.
- Keep hands and feet away from rotating parts.
- Tie up long hair and remove jewelry.
- Do not wear loose-fitting clothing, dangling drawstrings or items that could become caught.



## WARNING



**Running engines produce heat. Engine parts, especially muffler, become extremely hot.**

**Severe thermal burns can occur on contact.**

**Combustible debris, such as leaves, grass, brush, etc. can catch fire.**

- Allow muffler, engine cylinder and fins to cool before touching.
- Remove accumulated debris from muffler area and cylinder area.
- It is a violation of California Public Resource Code, Section 4442, to use or operate the engine on any forest-covered, brush-covered, or grass-covered land unless the exhaust system is equipped with a spark arrester, as defined in Section 4442, maintained in effective working order. Other states or federal jurisdictions may have similar laws. Contact the original equipment manufacturer, retailer, or dealer to obtain a spark arrester designed for the exhaust system installed on this engine.



## WARNING



**Unintentional sparking can result in fire or electric shock.**

**Unintentional start-up can result in entanglement, traumatic amputation, or laceration.**

**Fire hazard**

### Before performing adjustments or repairs:

- Disconnect the spark plug wire and keep it away from the spark plug.
- Disconnect battery at negative terminal (only engines with electric start.)
- Use only correct tools.
- Do not tamper with governor spring, links or other parts to increase engine speed.
- Replacement parts must be of the same design and installed in the same position as the original parts. Other parts may not perform as well, may damage the unit, and may result in injury.
- Do not strike the flywheel with a hammer or hard object because the flywheel may later shatter during operation.

### When testing for spark:

- Use approved spark plug tester.
- Do not check for spark with spark plug removed.

# Features and Controls

Compare the illustration **1** with your engine to familiarize yourself with the location of various features and controls.

- A. Engine Identification  
**Model Type Code**
- B. Spark Plug
- C. Air Cleaner, Cyclonic
- D. Air Cleaner, Low Profile
- E. Dipstick
- F. Oil Fill
- G. Oil Filter
- H. Oil Drain Plug
- I. Oil Pressure Sensor
- J. Finger Guard
- K. Electric Starter
- L. Starter Solenoid
- M. Regulator/Rectifier
- N. Carburetor
- O. Oil Cooler (optional)
- P. Muffler (optional)
- Q. Fuel Pump
- R. Starter Switch \*
- S. Throttle Control \*
- T. Choke Control \*
- U. Fuel Filter (optional)

\* Some engines and equipment have remote controls. See the equipment manual for location and operation of remote controls.

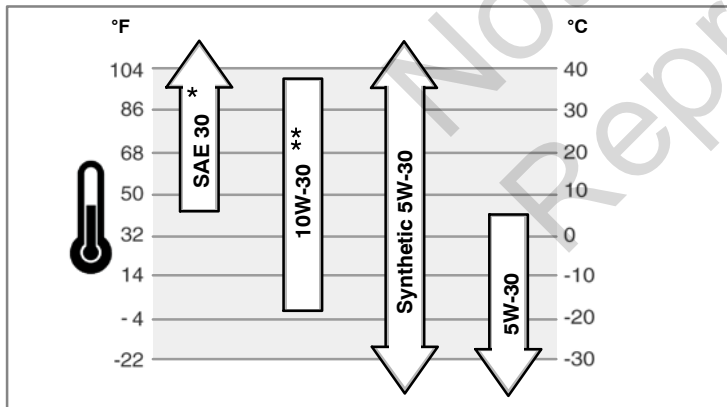
## Operation

Oil capacity (see the **Specifications** section)

### Oil Recommendations

We recommend the use of Briggs & Stratton Warranty Certified oils for best performance. Other high-quality detergent oils are acceptable if classified for service SF, SG, SH, SJ or higher. Do not use special additives.

Outdoor temperatures determine the proper oil viscosity for the engine. Use the chart to select the best viscosity for the outdoor temperature range expected.



\* Below 40°F (4°C) the use of SAE 30 will result in hard starting.

\*\* Above 80°F (27°C) the use of 10W-30 may cause increased oil consumption. Check oil level more frequently.

### How To Check/Add Oil - Figure 2

**Before adding or checking the oil**

- Place engine level.
  - Clean the oil fill area of any debris.
1. Remove the dipstick (A) and wipe with a clean cloth (Figure 2).
  2. Insert and tighten the dipstick.
  3. Remove the dipstick and check the oil level. It should be at the top of the full indicator (B) on the dipstick.
  4. If low, add oil slowly into the engine oil fill (C). **Do not overfill.** After adding oil, wait one minute and then recheck the oil level.
  5. Replace and tighten the dipstick.

### Low Oil Protection System (if equipped)

Some engines are equipped with a low oil sensor. If the oil is low, the sensor will either activate a warning light or stop the engine. Stop the engine and follow these steps before restarting the engine.

- Make sure the engine is level.
- Check the oil level. See the **How To Check/Add Oil** section.
- If the oil level is low, add the proper amount of oil. Start the engine and make sure the warning light (if equipped) is not activated.
- If the oil level is not low, **do not start** the engine. Contact an Authorized Briggs & Stratton Dealer to have the the oil problem corrected.

### Fuel Recommendations

**Fuel must meet these requirements:**

- Clean, fresh, unleaded gasoline.
- A minimum of 87 octane/87 AKI (91 RON). High altitude use, see below.
- Gasoline with up to 10% ethanol (gasohol) is acceptable.

**CAUTION:** Do not use unapproved gasolines, such as E15 and E85. Do not mix oil in gasoline or modify the engine to run on alternate fuels. Use of unapproved fuels will damage the engine components and **void the engine warranty.**

To protect the fuel system from gum formation, mix a fuel stabilizer into the fuel. See **Storage.** All fuel is not the same. If starting or performance problems occur, change fuel providers or change brands. This engine is certified to operate on gasoline. The emissions control system for this engine is EM (Engine Modifications).

### High Altitude

At altitudes over 5,000 feet (1524 meters), a minimum 85 octane/85 AKI (89 RON) gasoline is acceptable. To remain emissions compliant, high altitude adjustment is required. Operation without this adjustment will cause decreased performance, increased fuel consumption, and increased emissions. See an authorized Briggs & Stratton Dealer for high altitude adjustment information.

Operation of the engine at altitudes below 2,500 feet (762 meters) with the high altitude kit is not recommended.

### How To Add Fuel - Figure 3



#### WARNING

**Fuel and its vapors are extremely flammable and explosive. Fire or explosion can cause severe burns or death.**

#### When Adding Fuel

- Turn engine off and let engine cool at least 2 minutes before removing the fuel cap.
- Fill fuel tank outdoors or in well-ventilated area.
- Do not overfill fuel tank. To allow for expansion of the fuel, do not fill above the bottom of the fuel tank neck.
- Keep fuel away from sparks, open flames, pilot lights, heat, and other ignition sources.
- Check fuel lines, tank, cap, and fittings frequently for cracks or leaks. Replace if necessary
- If fuel spills, wait until it evaporates before starting engine.

1. Clean the fuel cap area of dirt and debris. Remove the fuel cap (A, Figure 3).
2. Fill the fuel tank (B) with fuel. To allow for expansion of the fuel, do not fill above the bottom of the fuel tank neck (C).
3. Reinstall the fuel cap.

### How To Start The Engine - Figure 4



#### WARNING

**Fuel and its vapors are extremely flammable and explosive. Fire or explosion can cause severe burns or death.**

#### When Starting Engine

- Ensure that spark plug, muffler, fuel cap and air cleaner (if equipped) are in place and secured.
- Do not crank engine with spark plug removed.
- If engine floods, set choke (if equipped) to OPEN/RUN position, move throttle (if equipped) to FAST position and crank until engine starts.



## WARNING





**POISONOUS GAS HAZARD.** Engine exhaust contains carbon monoxide, a poisonous gas that could kill you in minutes. You CANNOT see it, smell it, or taste it. Even if you do not smell exhaust fumes, you could still be exposed to carbon monoxide gas. If you start to feel sick, dizzy, or weak while using this product, shut it off and get to fresh air RIGHT AWAY. See a doctor. You may have carbon monoxide poisoning.

- Operate this product ONLY outside far away from windows, doors and vents to reduce the risk of carbon monoxide gas from accumulating and potentially being drawn towards occupied spaces.
- Install battery-operated carbon monoxide alarms or plug-in carbon monoxide alarms with battery back-up according to the manufacturer's instructions. Smoke alarms cannot detect carbon monoxide gas.
- DO NOT run this product inside homes, garages, basements, crawlspaces, sheds, or other partially-enclosed spaces even if using fans or opening doors and windows for ventilation. Carbon monoxide can quickly build up in these spaces and can linger for hours, even after this product has shut off.
- ALWAYS place this product downwind and point the engine exhaust away from occupied spaces.

**NOTICE:** This engine was shipped from Briggs & Stratton without oil. Before you start the engine, make sure you add oil according to the instructions in this manual. If you start the engine without oil, it will be damaged beyond repair and will not be covered under warranty.

*Note:* Some engines and equipment have remote controls. See the equipment manual for location and operation of remote controls.

1. Check the oil level. See the **How To Check/Add Oil** section.
2. Make sure equipment drive controls, if equipped, are disengaged.
3. Turn the fuel shut-off valve (A), if equipped, to the on position (Figure 4).
4. Move the throttle control (B) to the fast  position. Operate the engine in the fast  position.

## Maintenance

We recommend that you see any Briggs & Stratton Authorized Dealer for all maintenance and service of the engine and engine parts.

**NOTICE:** All the components used to build this engine must remain in place for proper operation.



**WARNING:** When performing maintenance that requires the unit to be tipped, the fuel tank must be empty or fuel can leak out and result in a fire or explosion.

## Emissions Control

**Maintenance, replacement, or repair of the emissions control devices and systems may be performed by any non-road engine repair establishment or individual.**

However, to obtain "no charge" emissions control service, the work must be performed by a factory authorized dealer. See the Emissions Warranty.



## WARNING



Unintentional sparking can result in fire or electric shock.  
Unintentional start-up can result in entanglement, traumatic amputation, or laceration.  
Fire hazard




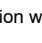
### Before performing adjustments or repairs:


- Disconnect the spark plug wire and keep it away from the spark plug.
- Disconnect battery at negative terminal (only engines with electric start.)
- Use only correct tools.
- Do not tamper with governor spring, links or other parts to increase engine speed.
- Replacement parts must be of the same design and installed in the same position as the original parts. Other parts may not perform as well, may damage the unit, and may result in injury.
- Do not strike the flywheel with a hammer or hard object because the flywheel may later shatter during operation.

### When testing for spark:

- Use approved spark plug tester.
- Do not check for spark with spark plug removed.


5. Pull out the choke control (C), if equipped, to the choke  position.

*Note:* To start the engine with a dry fuel system (first time starting or after running out of fuel), additional cranking time in the choke  position will be required. This will give the fuel pump time to prime the fuel system.

6. Push the stop switch (D), if equipped, to the on position.
7. Turn the electric start switch (E) to the on/start position (Figure 4).
8. If the engine fires but will not continue to run, move the choke control (C) to the run  position to start the engine.

**NOTICE:** To extend the life of the starter, use short starting cycles (five seconds maximum). Wait one minute between starting cycles.

*Note:* If the engine does not start after repeated attempts, go to [VanguardEngines.com](http://VanguardEngines.com) or call 1-800-999-9333 (in USA).

9. As the engine warms up, move the choke control (C) to the run  position.

## How To Stop The Engine - Figure 4



## WARNING



Fuel and its vapors are extremely flammable and explosive.  
Fire or explosion can cause severe burns or death.



- Do not choke the carburetor to stop engine.

1. Move the throttle control to the slow position, turn the key switch (E) to the off position (Figure 4). Remove the key and keep in a safe place out of the reach of children.
2. Push the stop switch (D), if equipped, to the off position.
3. After the engine stops, turn the fuel shut-off valve (A), if equipped, to the closed position.

## Maintenance Chart

### First 5 Hours

- Change oil

### Every 8 Hours or Daily

- Check engine oil level
- Clean area around muffler and controls

### Every 100 Hours or Annually

- Clean or change air filter \* ▲
- Change engine oil and filter
- Clean pre-cleaner (if equipped) \*
- Replace spark plug
- Check muffler and spark arrester

### Every 250 Hours or Annually

- Check valve clearance. Adjust if necessary.

### Every 400 Hours or Annually

- Change air filter ▲
- Replace fuel filter
- Clean air cooling system \*
- Clean oil cooler fins \*

### Every 600 Hours or Annually

- Change safety filter (if equipped)

\* In dusty conditions or when airborne debris is present, clean more often.

▲ Every third air filter change, change the inner safety filter (if equipped).

## Carburetor And Engine Speed Adjustment

Never make adjustments to the carburetor or engine speed. The carburetor was set at the factory to operate efficiently under most conditions. Do not tamper with the governor spring, linkages, or other parts to change the engine speed. If any adjustments are required contact a Briggs & Stratton Authorized Service Center for service.

**NOTICE:** The equipment manufacturer specifies the maximum speed for the engine as installed on the equipment. **Do not exceed** this speed. If you are unsure what the equipment maximum speed is, or what the engine speed is set to from the factory, contact a Briggs & Stratton Authorized Service Center for assistance. For safe and proper operation of the equipment, the engine speed should be adjusted only by a qualified service technician.

## How To Replace The Spark Plug - Figure 5

Check the gap (A, Figure 5) with a wire gauge (B). If necessary, reset the gap. Install and tighten the spark plug to the recommended torque. For gap setting or torque, see the **Specifications** section.

**Note:** In some areas, local law requires using a resistor spark plug to suppress ignition signals. If this engine was originally equipped with a resistor spark plug, use the same type for replacement.

## Inspect Muffler And Spark Arrester - Figure 6



### WARNING



Running engines produce heat. Engine parts, especially muffler, become extremely hot.



Severe thermal burns can occur on contact.

Combustible debris, such as leaves, grass, brush, etc. can catch fire.

- Allow muffler, engine cylinder and fins to cool before touching.
- Remove accumulated debris from muffler area and cylinder area.
- It is a violation of California Public Resource Code, Section 4442, to use or operate the engine on any forest-covered, brush-covered, or grass-covered land unless the exhaust system is equipped with a spark arrester, as defined in Section 4442, maintained in effective working order. Other states or federal jurisdictions may have similar laws. Contact the original equipment manufacturer, retailer, or dealer to obtain a spark arrester designed for the exhaust system installed on this engine.

Remove accumulated debris from muffler area and cylinder area. Inspect the muffler (A, Figure 6) for cracks, corrosion, or other damage. Remove the spark arrester (B), if equipped, and inspect for damage or carbon blockage. If damage is found, install replacement parts before operating.



**WARNING:** Replacement parts must be of the same design and installed in the same position as the original parts. Other parts may not perform as well, may damage the unit, and may result in injury.

## How To Change The Oil - Figure 7

Used oil is a hazardous waste product and must be disposed of properly. Do not discard with household waste. Check with your local authorities, service center, or dealer for safe disposal/recycling facilities.

### Remove Oil

1. With engine off but still warm, disconnect the spark plug wire (A) and keep it away from the spark plug (Figure 7).
2. Remove the oil drain plug (B). Drain the oil into an approved container.
3. After the oil has drained, install and tighten the oil drain plug.

### Change The Oil Filter

All models are equipped with an oil filter. For replacement intervals, see the **Maintenance** chart.

1. Drain the oil from the engine. See **Remove Oil** section.
2. Remove the oil filter (C, Figure 7) and dispose of properly.
3. Before installing the new oil filter, lightly lubricate the oil filter gasket with fresh, clean oil.
4. Install the oil filter by hand until the gasket contacts the oil filter adapter, then tighten the oil filter 1/2 to 3/4 turns.
5. Add oil. See **Add Oil** section.
6. Start and run the engine. As the engine warms up, check for oil leaks.
7. Stop the engine and check the oil level. It should be at the top of the full indicator (F) on the dipstick.

### Add Oil

- Place engine level.
  - Clean the oil fill area of any debris.
  - See the **Specifications** section for oil capacity.
1. Remove the dipstick (D, Figure 7) and wipe with a clean cloth.
  2. Pour the oil slowly into the engine oil fill (E). **Do not overfill.** After adding oil, wait one minute and then check the oil level.

3. Install and tighten the dipstick.
4. Remove the dipstick and check the oil level. It should be at the top of the full indicator (F) on the dipstick.
5. Install and tighten the dipstick.

## How To Service The Air Filter - Figure 8 9



### WARNING



Fuel and its vapors are extremely flammable and explosive.

Fire or explosion can cause severe burns or death.



- Never start or run the engine with the air cleaner assembly (if equipped) or the air filter (if equipped) removed.

**NOTICE:** Do not use pressurized air or solvents to clean the filter. Pressurized air can damage the filter and solvents will dissolve the filter.

The air filter system uses either a cyclonic air filter or a low-profile air filter. See the **Maintenance Chart** for service requirements.

### Cyclonic Air Filter System

1. Open the latches (A) and remove the cover (B). See Figure 8.
2. Remove the air filter (C).
3. To loosen debris, gently tap the air filter on a hard surface. If the air filter is excessively dirty, replace with a new air filter.
4. The cyclonic air filter system also has a safety filter (D) (if equipped). See the **Maintenance Chart** for service requirements. To remove, carefully pull the safety filter away from air cleaner body (E) and discard. Make sure that dirt or debris do not enter the engine.
5. Install the new safety filter in the air cleaner body.
6. Install the air filter over the safety filter.
7. Install the cover and close the latches.

### Low-Profile Air Filter System

1. Remove the knob (F) and the cover (G). See Figure 9.
2. Remove the nut (H) and the retainer (J).
3. Remove the air filter (K).
4. Remove the pre-cleaner (L), if equipped, from the air filter.
5. To loosen debris, gently tap the air filter on a hard surface. If the air filter is excessively dirty, replace with a new air filter.
6. Wash the pre-cleaner in liquid detergent and water. Then allow it to thoroughly air dry. **Do not** oil the pre-cleaner.
7. Assemble the dry pre-cleaner to the air filter.
8. Install the air filter and secure with retainer and nut.
9. Install the cover and secure with knob.

## How To Clean The Air Cooling System - Figure 11 12



### WARNING



Running engines produce heat. Engine parts, especially muffler, become extremely hot.

Severe thermal burns can occur on contact.



Combustible debris, such as leaves, grass, brush, etc. can catch fire.

- Allow muffler, engine cylinder and fins to cool before touching.
- Remove accumulated debris from muffler area and cylinder area.

**NOTICE:** Do not use water to clean the engine. Water could contaminate the fuel system. Use a brush or dry cloth to clean the engine.

This is an air cooled engine. Dirt or debris can restrict air flow and cause the engine to overheat, resulting in poor performance and reduced engine life.

Use a brush or dry cloth to remove debris from the finger guard (A, Figure 11). Keep linkage, springs and controls (B) clean. Keep the area around and behind the muffler (C) free of any combustible debris. Make sure that the oil cooler fins (D) are free of dirt and debris.

Clean the area under the panel (E, Figure 12). Loosen the two screws (F) until you hear a click. Remove the panel and clean the area of dirt and debris. Make sure the underside of the panel is also clean. Install the panel and tighten the screws until you hear a click.



## How To Replace The Fuel Filter - Figure 10



### WARNING

Fuel and its vapors are extremely flammable and explosive.  
Fire or explosion can cause severe burns or death.

- Keep fuel away from sparks, open flames, pilot lights, heat, and other ignition sources.
- Check fuel lines, tank, cap, and fittings frequently for cracks or leaks. Replace if necessary.
- Before replacing the fuel filter, drain the fuel tank or close the fuel shut-off valve.
- Replacement parts must be the same and installed in the same position as the original parts.
- If fuel spills, wait until it evaporates before starting engine.

1. Before replacing the fuel filter (A, Figure 10), if equipped, drain the fuel tank or close the fuel shut-off valve. Otherwise, fuel can leak out and cause a fire or explosion.
2. Use pliers to squeeze tabs (B) on the clamps (C), then slide the clamps away from the fuel filter. Twist and pull the fuel lines (D) off of the fuel filter.
3. Check the fuel lines for cracks or leaks. Replace if necessary.
4. Replace the fuel filter with an original equipment replacement filter.
5. Secure the fuel lines with the clamps as shown.

## Storage



### WARNING

Fuel and its vapors are extremely flammable and explosive.  
Fire or explosion can cause severe burns or death.

#### When Storing Fuel Or Equipment With Fuel In Tank

- Store away from furnaces, stoves, water heaters or other appliances that have pilot lights or other ignition sources because they can ignite fuel vapors.

#### Fuel System

Fuel can become stale when stored over 30 days. Stale fuel causes acid and gum deposits to form in the fuel system or on essential carburetor parts. To keep fuel fresh, use **Briggs & Stratton Advanced Formula Fuel Treatment & Stabilizer**, available wherever Briggs & Stratton genuine service parts are sold.

For engines equipped with a FRESH START® fuel cap, use **Briggs & Stratton FRESH START®** available in a drip concentrate cartridge.

There is no need to drain gasoline from the engine if a fuel stabilizer is added according to instructions. Run the engine for 2 minutes to circulate the stabilizer throughout the fuel system before storage.

If gasoline in the engine has not been treated with a fuel stabilizer, it must be drained into an approved container. Run the engine until it stops from lack of fuel. The use of a fuel stabilizer in the storage container is recommended to maintain freshness.

#### Engine Oil

While the engine is still warm, change the engine oil.

#### Troubleshooting

Need Assistance? Go to [VanguardEngines.com](http://VanguardEngines.com) or call 1-800-999-9333 (in USA).

## Specifications

Engine Specifications	
Model	540000
Displacement	54.68 ci (896 cc)
Bore	3.366 in (85.5 mm)
Stroke	3.071 in (78.0 mm)
Oil Capacity	78 - 80 oz (2.3 - 2.4 L)

Tune-up Specifications *	
Model	540000
Spark Plug Gap	0.030 in (0.76 mm)
Spark Plug Torque	180 lb-in (20 Nm)
Armature Air Gap	0.005 - 0.008 in (0.13 - 0.20 mm)
Intake Valve Clearance	0.004 - 0.006 in (0.10 - 0.15 mm)
Exhaust Valve Clearance	0.004 - 0.006 in (0.10 - 0.15 mm)

Engine Specifications	
Model	610000
Displacement	60.60 ci (993 cc)
Bore	3.366 in (85.5 mm)
Stroke	3.406 in (86.5 mm)
Oil Capacity	78 - 80 oz (2.3 - 2.4 L)

Tune-up Specifications *	
Model	610000
Spark Plug Gap	0.030 in (0.76 mm)
Spark Plug Torque	180 lb-in (20 Nm)
Armature Air Gap	0.005 - 0.008 in (0.13 - 0.20 mm)
Intake Valve Clearance	0.004 - 0.006 in (0.10 - 0.15 mm)
Exhaust Valve Clearance	0.004 - 0.006 in (0.10 - 0.15 mm)

\* Engine power will decrease 3.5% for each 1,000 feet (300 meters) above sea level and 1% for each 10° F (5.6° C) above 77° F (25° C). The engine will operate satisfactorily at an angle up to 15°. Refer to the equipment operator's manual for safe allowable operating limits on slopes.

### Common Service Parts

Service Part	Part Number
Air Filter, Cyclonic	841497
Safety Filter, Cyclonic	821136
Air Filter, Low-Profile	692519
Pre-Cleaner, Low-Profile	692520
Oil - SAE 30	100028
Oil Filter	842921

Service Part	Part Number
Fuel Filter	691035
Fuel Additive	5041, 5058
Resistor Spark Plug	491055
Long Life Platinum Spark Plug	5066
Spark Plug Wrench	19374
Spark Tester	19368

➤ We recommend that you see any Briggs & Stratton Authorized Dealer for all maintenance and service of the engine and engine parts.

**LIMITED WARRANTY**

Briggs & Stratton warrants that, during the warranty period specified below, it will repair or replace, free of charge, any part that is defective in material or workmanship or both. Transportation charges on product submitted for repair or replacement under this warranty must be borne by purchaser. This warranty is effective for and is subject to the time periods and conditions stated below. For warranty service, find the nearest Authorized Service Dealer in our dealer locator map at BRIGGSandSTRATTON.COM. The purchaser must contact the Authorized Service Dealer, and then make the product available to the Authorized Service Dealer for inspection and testing.

**There is no other express warranty. Implied warranties, including those of merchantability and fitness for a particular purpose, are limited to one year from purchase, or to the extent permitted by law. All other implied warranties are excluded. Liability for incidental or consequential damages are excluded to the extent exclusion is permitted by law.** Some states or countries do not allow limitations on how long an implied warranty lasts, and some states or countries do not allow the exclusion or limitation of incidental or consequential damages, so the above limitation and exclusion may not apply to you. This warranty gives you specific legal rights and you may also have other rights which vary from state to state and country to country \*\*.

**STANDARD WARRANTY TERMS \* ▲**

Brand/Product Type	Consumer Use	Commercial Use
Vanguard™ ■	3 years	3 years
Commercial Turf Series™	2 years	2 years
Extended Life Series™; I/C®; Intek™ I/C®; Intek™ Pro; Professional Series™ with Dura-Bore™ Cast Iron Sleeve; 850 Series™ with Dura-Bore™ Cast Iron Sleeve; Snow Series MAX™ with Dura-Bore™ Cast Iron Sleeve All Other Briggs & Stratton Engines Featuring Dura-Bore™ Cast Iron Sleeve	2 years	1 year
All Other Briggs & Stratton Engines	2 years	90 days

\* These are our standard warranty terms, but occasionally there may be additional warranty coverage that was not determined at time of publication. For a listing of current warranty terms for your engine, go to BRIGGSandSTRATTON.COM or contact your Briggs & Stratton Authorized Service Dealer.

\*\* In Australia – Our goods come with guarantees that cannot be excluded under the Australian Consumer Law. You are entitled to a replacement or refund for a major failure and for compensation for any other reasonably foreseeable loss or damage. You are also entitled to have the goods repaired or replaced if the goods fail to be of acceptable quality and the failure does not amount to a major failure. For warranty service, find the nearest Authorized Service Dealer in our dealer locator map at BRIGGSandSTRATTON.COM, or by calling 1300 274 447, or by emailing or writing to salesenquiries@briggsandstratton.com.au, Briggs & Stratton Australia Pty Ltd, 1 Moorebank Avenue, Moorebank, NSW, Australia, 2170.

▲ Home Standby Generator applications: 2 years consumer warranty only. No commercial warranty. This warranty does not apply to engines on equipment used for prime power in place of a utility. **Engines used in competitive racing or on commercial or rental tracks are not warranted.**

■ Vanguard installed on standby generators: 2 years consumer use, no warranty commercial use. Vanguard installed on utility vehicles: 2 years consumer use, 2 years commercial use. Vanguard 3-cylinder liquid cooled: see Briggs & Stratton 3/LC Engine Warranty Policy.

The warranty period begins on the date of purchase by the first retail consumer or commercial end user, and continues for the period of time stated in the table above. “Consumer use” means personal residential household use by a retail consumer. “Commercial use” means all other uses, including use for commercial, income producing or rental purposes. Once an engine has experienced commercial use, it shall thereafter be considered as a commercial use engine for purposes of this warranty.

**No warranty registration is necessary to obtain warranty on Briggs & Stratton products. Save your proof of purchase receipt. If you do not provide proof of the initial purchase date at the time warranty service is requested, the manufacturing date of the product will be used to determine the warranty period.**

**About Your Warranty**

Briggs & Stratton welcomes warranty repair and apologizes to you for being inconvenienced. Any Authorized Service Dealer may perform warranty repairs. Most warranty repairs are handled routinely, but sometimes requests for warranty service may not be appropriate. To avoid misunderstanding which might occur between the customer and the dealer, listed below are some of the causes of engine failure that the warranty does not cover.

**Normal wear:** Engines, like all mechanical devices, need periodic parts service and replacement to perform well. Warranty will not cover repair when normal use has exhausted the life of a part or an engine. Warranty would not apply if engine damage occurred because of misuse, lack of routine maintenance, shipping, handling, warehousing or improper installation. Similarly, warranty is void if the serial number of the engine has been removed or the engine has been altered or modified.

**Improper maintenance:** The life of an engine depends upon the conditions under which it operates, and the care it receives. Some applications, such as tillers, pumps and rotary mowers, are very often used in dusty or dirty conditions, which can cause what appears to be premature wear. Such wear, when caused by dirt, dust, spark plug cleaning grit, or other abrasive material that has entered the engine because of improper maintenance, is not covered by warranty.

**This warranty covers engine related defective material and/or workmanship only, and not replacement or refund of the equipment to which the engine may be mounted. Nor does the warranty extend to repairs required because of:**

- 1 Problems caused by parts that are not original Briggs & Stratton parts.
- 2 Equipment controls or installations that prevent starting, cause unsatisfactory engine performance, or shorten engine life. (Contact equipment manufacturer.)
- 3 Leaking carburetors, clogged fuel pipes, sticking valves, or other damage, caused by using contaminated or stale fuel.

- 4 Parts which are scored or broken because an engine was operated with insufficient or contaminated lubricating oil, or an incorrect grade of lubricating oil (check and refill when necessary, and change at recommended intervals). OIL GARD may not shut down running engine. Engine damage may occur if oil level is not properly maintained.
- 5 Repair or adjustment of associated parts or assemblies such as clutches, transmissions, remote controls, etc., which are not manufactured by Briggs & Stratton.
- 6 Damage or wear to parts caused by dirt, which entered the engine because of improper air cleaner maintenance, re-assembly, or use of a non-original air cleaner element or cartridge. At recommended intervals, clean and/or replace the filter as stated in the Operator’s Manual.
- 7 Parts damaged by over-speeding, or overheating caused by grass, debris, or dirt, which plugs or clogs the cooling fins, or flywheel area, or damage caused by operating the engine in a confined area without sufficient ventilation. Clean engine debris at recommended intervals as stated in the Operator’s Manual.
- 8 Engine or equipment parts broken by excessive vibration caused by a loose engine mounting, loose cutter blades, unbalanced blades or loose or unbalanced impellers, improper attachment of equipment to engine crankshaft, over-speeding or other abuse in operation.
- 9 A bent or broken crankshaft, caused by striking a solid object with the cutter blade of a rotary lawn mower, or excessive v-belt tightness.
- 10 Routine tune-up or adjustment of the engine.
- 11 Engine or engine component failure, i.e., combustion chamber, valves, valve seats, valve guides, or burned starter motor windings, caused by the use of alternate fuels such as, liquified petroleum, natural gas, gasoline formulated with ethanol greater than 10%, etc.

**Warranty service is available only through Briggs & Stratton Authorized Service Dealers. Locate your nearest Authorized Service Dealer in our dealer locator map on BRIGGSandSTRATTON.COM or by calling 1-800-233-3723 (in USA).**

The California Air Resources Board, U.S. EPA, and Briggs & Stratton (B&S) are pleased to explain the emissions control system warranty on your Model Year 2013-2014 engine/equipment. In California, new small off-road engines and large spark ignited engines less than or equal to 1.0 liter must be designed, built, and equipped to meet the State's stringent anti-smog standards. B&S must warrant the emissions control system on your engine/equipment for the periods of time listed below provided there has been no abuse, neglect, or improper maintenance of your engine/equipment.

Your exhaust emissions control system may include parts such as the carburetor or fuel injection system, ignition system, and catalytic converter. Also included may be hoses, belts, connectors, sensors, and other emissions-related assemblies. Your evaporative emission control system may include parts such as: carburetors, fuel tanks, fuel lines, fuel caps, valves, canisters, filters, vapor hoses, clamps, connectors, and other associated components.

Where a warrantable condition exists, B&S will repair your engine/equipment at no cost to you including diagnosis, parts, and labor.

#### Manufacturer's Warranty Coverage:

Small off-road engines and large spark ignited engines less than or equal to 1.0 liter, and any related emissions components of the equipment, are warranted for two years\*. If any

emissions-related part on your B&S engine/equipment is defective, the part will be repaired or replaced by B&S.

- \* Two years or for the time period listed in the respective engine or product warranty statement, whichever is greater.

#### Owner's Warranty Responsibilities:

- As the engine/equipment owner, you are responsible for the performance of the required maintenance listed in your owner's manual. B&S recommends that you retain all receipts covering maintenance on your engine/equipment, but B&S cannot deny warranty solely for the lack of receipts or your failure to ensure the performance of all scheduled maintenance.
- As the engine/equipment owner, you should however be aware that B&S may deny you warranty coverage if your engine/equipment or a part has failed due to abuse, neglect, improper maintenance, or unapproved modifications.
- You are responsible for presenting your engine/equipment to a B&S distribution center, servicing dealer, or other equivalent entity, as applicable, as soon as a problem exists. The warranty repairs should be completed in a reasonable amount of time, not to exceed 30 days. If you have any questions regarding your warranty rights and responsibilities, you should contact B&S at 1-800-444-7774 (in USA) or BRIGGSandSTRATTON.COM.

### Briggs & Stratton Emissions Control Warranty Provisions

The following are specific provisions relative to your Emissions Control Warranty Coverage. It is in addition to the B&S engine warranty for non-regulated engines found in the Operator's Manual.

#### 1. Warranted Emissions Parts

Coverage under this warranty extends only to the parts listed below (the emissions control systems parts) to the extent these parts were present on the B&S engine and/or B&S supplied fuel system.

- Fuel Metering System**
  - Cold start enrichment system (soft choke)
  - Carburetor and internal parts
  - Fuel pump
  - Fuel line, fuel line fittings, clamps
  - Fuel tank, cap and tether
  - Carbon canister
- Air Induction System**
  - Air cleaner
  - Intake manifold
  - Purge and vent line
- Ignition System**
  - Spark plug(s)
  - Magneto ignition system
- Catalyst System**
  - Catalytic converter
  - Exhaust manifold
  - Air injection system or pulse valve
- Miscellaneous Items Used in Above Systems**
  - Vacuum, temperature, position, time sensitive valves and switches
  - Connectors and assemblies

#### 2. Length of Coverage

For a period of two years from date of original purchase\*, B&S warrants to the original purchaser and each subsequent purchaser that the engine is designed, built, and equipped so as to conform with all applicable regulations adopted by the Air Resources Board; that it is free from defects in material and workmanship that could cause the failure of a warranted part; and that it is identical in all material respects to the engine described in the manufacturer's application for certification. The warranty period begins on the date the engine is originally purchased.

- \* Two years or for the time period listed in the respective engine or product warranty statement, whichever is greater.

The warranty on emissions-related parts is as follows:

- Any warranted part that is not scheduled for replacement as required maintenance in the owner's manual supplied, is warranted for the warranty period stated above. If any such part fails during the period of warranty coverage, the part will be repaired or replaced by B&S at no charge to the owner. Any such part repaired or replaced under the warranty will be warranted for the remaining warranty period.
- Any warranted part that is scheduled only for regular inspection in the owner's manual supplied, is warranted for the warranty period stated above. Any such part repaired or replaced under warranty will be warranted for the remaining warranty period.
- Any warranted part that is scheduled for replacement as required maintenance in the owner's manual supplied, is warranted for the period of time prior to the first scheduled replacement point for that part. If the part fails prior to the first scheduled replacement, the part will be repaired or replaced by B&S at no charge to the owner. Any such part repaired or replaced under warranty will be warranted for the remainder of the period prior to the first scheduled replacement point for the part.
- Add on or modified parts that are not exempted by the Air Resources Board may not be used. The use of any non exempted add on or modified parts by the owner will be grounds for disallowing a warranty claim. The manufacturer will not be liable to warrant failures of warranted parts caused by the use of a non exempted add on or modified part.

#### 3. Consequential Coverage

Coverage shall extend to the failure of any engine components caused by the failure of any warranted emissions parts.

#### 4. Claims and Coverage Exclusions

Warranty claims shall be filed according to the provisions of the B&S engine warranty policy. Warranty coverage does not apply to failures of emissions parts that are not original equipment B&S parts or to parts that fail due to abuse, neglect, or improper maintenance as set forth in the B&S engine warranty policy. B&S is not liable for warranty coverage of failures of emissions parts caused by the use of add-on or modified parts.

### Look For Relevant Emissions Durability Period and Air Index Information On Your Small Off-Road Engine Emissions Label

Engines that are certified to meet the California Air Resources Board (CARB) small off-road Emissions Standard must display information regarding the Emissions Durability Period and the Air Index. Briggs & Stratton makes this information available to the consumer on our emissions labels. The engine emissions label will indicate certification information.

The **Emissions Durability Period** describes the number of hours of actual running time for which the engine is certified to be emissions compliant, assuming proper maintenance in accordance with the Operating & Maintenance Instructions. The following categories are used:

#### Moderate:

Engine is certified to be emissions compliant for 125 hours of actual engine running time.

#### Intermediate:

Engine is certified to be emissions compliant for 250 hours of actual engine running time.

#### Extended:

Engine is certified to be emissions compliant for 500 hours of actual engine running time.

For example, a typical walk-behind lawn mower is used 20 to 25 hours per year.

Therefore, the **Emissions Durability Period** of an engine with an **intermediate** rating would equate to 10 to 12 years.

Briggs & Stratton engines are certified to meet the United States Environmental Protection Agency (USEPA) Phase 2 or Phase 3 emissions standards. The Emissions Compliance Period referred to on the Emissions Compliance label indicates the number of operating hours for which the engine has been shown to meet Federal emissions requirements.

For engines less than 225 cc displacement.

Category C = 125 hours, Category B = 250 hours, Category A = 500 hours

For engines of 225 cc or more displacement.

Category C = 250 hours, Category B = 500 hours, Category A = 1000 hours

## Generelle oplysninger

Denne manual indeholder sikkerhedsoplysninger, der skal gøre dig opmærksom på de farer og risici, der er forbundet med motorer, samt hvordan de kan undgås. Den indeholder ligeledes anvisninger for korrekt anvendelse og vedligeholdelse. Eftersom Briggs & Stratton Corporation ikke nødvendigvis ved, hvilket udstyr denne motor skal drive, er det vigtigt, at du læser og forstår denne vejledning og vejledningen til det udstyr, som motoren driver. **Gem disse originale anvisninger til fremtidig brug.**

I forbindelse med reservedele eller teknisk assistance skal du nedenfor registrere motormodel, type og kodenumre sammen med købsdatoen. Disse tal findes på din motor (se siden **Udstyr og betjeningslementer**).

**Købsdato:** \_\_\_\_\_  
DD/MM/ÅÅÅÅ


**Motormodel:** \_\_\_\_\_  
Modelserie: \_\_\_\_\_ Type: \_\_\_\_\_ Kode: \_\_\_\_\_


**Nominel effekt:** Den nominelle bruttoeffekt for individuelle benzinmotorer er mærket i overensstemmelse med den amerikanske organisation SAEs (Society of Automotive Engineers) lovsamling J1940 (Small Engine Power & Torque Rating Procedure), og effektydelsen er opnået og rettet til i overensstemmelse med SAE J1995. Drejningsmomentet fås ved 2600 o/min. for motorer med "o/min" (rpm) printet på mærkatene, og 3060 o/min. for alle andre; hestekræfter fås ved 3600 o/min. Bruttoeffektkurverne kan ses på [www.BRIGGSandSTRATTON.COM](http://www.BRIGGSandSTRATTON.COM). Nettoværdier tages med monteret udstødning og installeret luftfilter, hvorimod bruttoværdier indhentes uden dette tilbehør. Den faktiske bruttoeffekt vil være højere end nettoeffekten, og den vil være påvirket af bl.a. omgivende arbejdsforhold og maskine-til-maskine-foranderlighed. I betragtning af både den brede vifte af produkter, som motorerne er monteret på, udvikler benzinmotoren muligvis ikke den nominelle bruttoeffekt, når den anvendes i et bestemt effektudstyr. Denne forskel skyldes en række faktorer, der inkluderer, men som ikke er begrænset til motorkomponenter (luftfilter, udstødning, ladning, afkøling, karburator, brændstoftpumpe, mv.), anvendelsesbegrænsninger, omgivende arbejdsforhold (temperatur, fugt, højde) og maskine-til-maskine-foranderlighed. Grundet fabrikations- og kapacitetsbegrænsninger, kan Briggs & Stratton erstatte en motor med en højere effekt med denne motor.


## Sikkerhed for operatoren


### SIKKERHEDS- OG KONTROLSYMBOLER



Advarselssymbolet  anvendes til at fremhæve sikkerhedsoplysninger om farer, der kan medføre alvorlig personskade. Ordene FARE, ADVARSEL og FORSIGTIG anvendes sammen med advarselssymbolet til at angive, hvor stor risikoen for skader er og omfanget eller alvoren af sådanne personskader. Desuden anvendes et faresymbol til at angive den relevante type fare.

 **FARE** angiver en farlig situation, som vil medføre død eller alvorlig personskade, hvis den ikke undgås.

 **ADVARSEL** angiver en farlig situation, som kan medføre død eller alvorlig personskade, hvis den ikke undgås.

 **FORSIGTIG** angiver en farlig situation, som kan medføre mindre eller moderat personskade, hvis den ikke undgås.

**BEMÆRK** angiver en situation, der kan resultere i beskadigelse af produktet.



#### ADVARSEL

Visse komponenter i produktet og tilhørende udstyr indeholder kemikalier, der i følge staten Californien forårsager cancer, medfødte misdannelser eller andre skader på forplantningssystemet. Vask hænder efter håndtering.



#### ADVARSEL

I henhold til amerikansk lovgivning (Californien) gøres der opmærksom på, at udstødningsgasserne fra denne maskine indeholder kræftfremkaldende stoffer. Disse stoffer kan ligeledes medføre fosterskader og kan have en negativ effekt på forplantningsevnen.



#### ADVARSEL

Briggs & Stratton-motorer er ikke udviklet til og må ikke bruges til kørsel af: fun-karts, gokarts, børns køretøjer, fritidskøretøjer eller terrængående sportskøretøjer (ATV'er), motorcykler, hovercrafts, luftfartøjsprodukter eller køretøjer, der bruges til konkurrencer, som ikke er godkendt af Briggs & Stratton. Yderligere information om konkurrenceprægede racerprodukter findes på [www.briggsracing.com](http://www.briggsracing.com). For brug med tilbehør og side-by-side ATV'er bedes du kontakte Briggs & Stratton Engine Application Center, 1-866-927-3349. Forkert maskinanvendelse kan resultere i alvorlige kvæstelser eller død.

**BEMÆRK:** Denne motor blev afsendt fra Briggs & Stratton uden olie. Før du starter motoren, sørg altid for at påfylde olie i henhold til de instruktioner angivet i denne manual. Hvis du starter motoren uden påfyldning af olie, vil denne blive beskadiget og vil ikke kunne repareres mere og derfor ikke være dækket af garantien.



## ADVARSEL



**Benzin og benzindampe er yderst brandfarlige og eksplosive. Brand eller eksplosion kan medføre alvorlige forbrændinger eller døden.**

### Påfyldning af brændstof

- Sluk for motoren, og lad motoren køle af i mindst 2 minutter, før tankdækslet fjernes.
- Påfyld kun benzin udendørs eller på et sted med god udluftning.
- Undgå at fylde for meget brændstof på tanken. Undlad at fylde helt op til kanten på påfyldningsstudsden, således at der er plads til, at benzinen kan udvide sig.
- Benzin skal opbevares i sikker afstand fra gnister, åben ild, vågeblus, varme og andre mulige antændelseskilder.
- Foretag hyppige eftersyn af brændstofslanger, tanken og tankdækslet samt fittings for revner og utætheder. Udskift om nødvendigt.
- Hvis du spilder benzin, så vent med at starte motoren, indtil benzinen er fordampet.

### Start af motoren

- Sørg for, at tændrøret, lyddæmperen, tankdækslet og luftfilteret (hvis monteret) er på plads og forsvarligt fastgjort.
- Tørn ikke motoren, når tændrøret er afmonteret.
- Hvis motoren er druknet, sættes chokeren (hvis monteret) i "OPEN/RUN"-position (kør) og gasspæjdsregulatoren i fast-position (hurtig), hvorefter motoren tørnes, indtil den starter.

### Betjening af redskabet

- Undgå at vippe motoren eller udstyret, således at benzinen løber ud.
- Tip ikke karburatoren til at standse motoren.
- Start aldrig motoren eller lad aldrig motoren køre med luftfilterenheden (hvis monteret) eller luftfiltret (hvis monteret) fjernet.

### Ved olieskift

- Hvis du tømmer olien fra oliepåfyldningsrøret i toppen, skal brændstofftanken være tom, da brændstoffet ellers kan løbe ud og resultere i brand eller eksplosion.

### Ved vipning af en enheden ved vedligeholdelse

- Når der udføres vedligeholdelse, der kræver, at enheden vippes, skal brændstofftanken være tom, da brændstoffet ellers kan løbe ud og resultere i brand eller eksplosion.

### Transport af redskabet

- Transport skal foregå med TOM brændstofftank eller med brændstoffhanen LUKKET.

### Opbevaring af brændstof og redskaber med brændstof i tanken

- Sørg for, at benzin og redskaber med brændstof i tanken opbevares i sikker afstand fra fyr, ovne, vandvarmere og andre apparater, hvori der anvendes vågeblus, samt andre antændelseskilder, da disse kan antænde brændstoffdampe.



## ADVARSEL



**Når motoren startes, dannes der gnister.**

**Gnister kan antænde brændbare gasarter, der befinder sig i nærheden af motoren.**

**Dette kan medføre eksplosion og brand.**

- Motoren må ikke startes, hvis der er naturgas eller flaskegas i nærheden.
- Der må ikke anvendes startvæske på dåse til at starte motoren, da dampene er brændbare.



## ADVARSEL



**FARE FOR GIFTIG GAS. Motorens udstødningsgas indeholder kullite, en giftig gas, som kan slå en ihjel på få minutter. Du kan IKKE se den, lugte den eller smage den. Du kan godt blive udsat for kullite, selvom du ikke kan lugte udstødningsgas. Hvis du begynder at føle dig dårlig tilpas, svimmel eller svag under brug af dette produkt, skal du lukke for det og sørge for at indånde frisk luft LIGE MED DET SAMME. Søg lægehjælp. Du kan have kulliteforgiftning.**

- Dette produkt må KUN betjenes udenfor langt fra vinduer, døre og ventilationsanlæg for at reducere risikoen for at der samler sig kullite, som kan ledes til områder, hvor der befinder sig folk.
- Monter batteridrevne kullitealarmer eller plug-in kullitealarmer med batteri-back-up i henhold til producentens anvisninger. Røgalarm registrerer ikke kullitegas.
- Betjen IKKE dette produkt inden døre, i garager, kældre, krybeområder, skure eller andre delvist tillukkede områder, selv hvis der anvendes ventilationsanordninger, eller hvis døre og vinduer er åbne for at foretage gennemluftning. Der kan hurtigt samle sig kullite i sådanne områder, som kan blive hængende i flere timer, selv efter at produktet er blevet inaktiveret.
- Placer ALTID dette produkt i vindretningen, og lad motorens udstødning vende væk fra områder, hvor der opholder sig folk.



## ADVARSEL



**Hurtig tilbagetrækning af startsnoren (tilbageslag) vil trække hånd og arm tilbage mod motoren, hurtigere end du kan nå at slippe snoren.**

**Dette kan medføre, at du brækker armen, får knoglebrud, blå mærker eller forstrækninger.**

- Når motoren startes, træk langsomt i startsnoren, indtil du mærker modstand, og træk derefter hurtigt for at undgå tilbageslag.
- Fjern alt eksternt udstyr/motorbelastninger før start af motoren.
- Direkte tilkoblede dele på udstyret f.eks. skæreknive, skovhjul, remskiver, kædehjul osv. skal være forsvarligt monteret.



## ADVARSEL



**Hænder, fødder, hår og tøj kan sætte sig fast i roterende dele.**

**Dette kan medføre, at legemsdele skæres af, eller at brugeren får alvorlige snitsår.**

- Udstyret må kun anvendes med alle sikkerhedsafskærmninger på plads.
- Hold hænder og fødder i sikker afstand fra roterende dele.
- Langt hår bør bindes op, og smykker og lignende genstande bør tages af.
- Undgå at bære løstsiddende tøj, tøj med snore eller andre genstande, der kan sætte sig fast.



## ADVARSEL



**Kørende motorer udvikler varme. Motorens dele, især lyddæmperen, bliver meget varme.**



**Kontakt med varme dele kan forårsage alvorlige forbrændinger.**

**Der kan gå ild i brændbart affald som f.eks. blade, græs og grene.**

- Lyddæmper, cylinder og køleribber skal køle af, før du rører ved dem.
- Fjern snavs, der samler sig i området omkring lyddæmperen og cylinderen.
- Det er en overtrædelse af "California Public Resource Code, Section 4442" at bruge eller betjene motoren på skovdækkede, kratdækkede eller græsdækkede områder med mindre, at udstødningsystemet er udstyret med en gnistfanger som defineret i "Section 4442", der skal være i funktionel stand. Andre stater eller føderale jurisdiktioner kan have lignende love. Kontakt den originale udstyrsfabrikant, grossist eller forhandler for at købe en gnistfanger, der passer til udstødningsystemet på motoren.



## ADVARSEL



**Gnister, som frembringes ved et uheld, kan medføre brand eller stød.**

**Hvis motoren startes ved et uheld, kan dette medføre, at personer kommer i klemme i redskabets mekanismer, at legemsdele bliver skåret af, eller at personer får snitsår.**



**Brandfare**



### Før justering eller reparation af motoren:

- Tag tændrørskablet af tændrøret, og hold det i sikker afstand fra tændrøret.
- Tag minuskablet af batteriet, hvis motoren er udstyret med el-starter.
- Brug kun korrekt værktøj.
- Foretag aldrig ændring af regulatorfjeder, regulatorforbindelser eller andre dele for at øge motorens omdrejningstal.
- Udskiftningsdele skal være af samme design, og de skal monteres i samme position som de originale dele. Andre reservedele fungerer muligvis ikke så godt, kan evt. resultere i skader på enheden og kan måske resultere i personskade.
- Slå aldrig på svinghullet med en hammer eller en hård genstand, da dette kan få svinghullet til at splintres under drift.

### Kontrol af gnist:

- Brug en godkendt gnisttester.
- Kontrollér ikke gnisten med tændrøret afmonteret.

# Udstyr og betjeningselementer

Sammenhold illustrationen **1** med din motor for at lære placeringen af udstyr og betjeningselementer.

- A. Identifikation af motoren  
**Model-, type-, og kodenummer**
- B. Tændrør
- C. Luftfilter, Cyklonisk
- D. Luftfilter, Lav profil
- E. Oliepind
- F. Oliepåfyldning
- G. Oliefilter
- H. Olieaftappingsprop
- I. Olietryksføler
- J. Fingerskærm
- K. Elektrisk starter
- L. Startrelæ
- M. Regulator/Ensretter
- N. Karburator
- O. Oliekøler (ekstraudstyr)
- P. Lyddæmper (ekstraudstyr)
- Q. Brændstofpumpe
- R. Startkontakt \*
- S. Gasspjældsregulator \*
- T. Chokerreguleringsknap \*
- U. Brændstoffilter (ekstraudstyr)

\* Nogle motorer og redskaber er udstyret med fjernbetjening. Se udstyrsmanualen for information om fjernbetjeningernes placering og funktion.

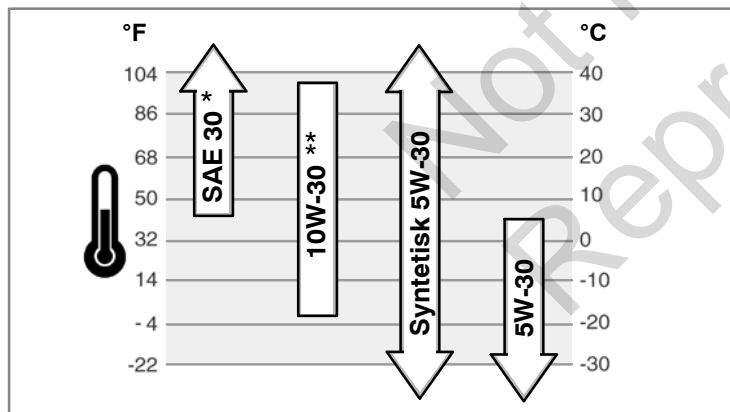
## Betjening

Oliekapacitet (se **Specifikationer** afsnittet)

### Anbefalinger vedrørende olie

Vi anbefaler at bruge Briggs & Stratton Garanti-godkendte olier for den bedste ydelse. Andre olier af høj kvalitet kan accepteres, såfremt disse hører under serviceklassificering SF, SG, SH, SJ eller er af bedre kvaliteter. Anvend ikke specielle additiver.

Udendørs temperaturer bestemmer motorens rette olieviskositet. Brug skemaet til at udvælge den bedste viskositet for de forventede udendørs temperaturintervaller.



\* Hvis en SAE 30 olie benyttes ved temperaturer under 40°F (4°C), vil det resultere i startproblemer.

\*\* Ved temperaturer over 80°F (27°C) vil brugen af 10W-30 medføre et olieforbrug, der er højere end normalt. Kontrollér oliestanden hyppigere.

### Kontrol/påfyldning af olie - Figur 2

Før påfyldning eller kontrol af olie

- Sørg for, at motoren er vandret.
  - Rengør oliepåfyldningsområdet for eventuelt snavs.
1. Fjern oliepingden (A) og tør denne med en ren klud (Figur 2).
  2. Sæt oliepingden tilbage, og spænd den fast.
  3. Tag oliepingden ud, og kontrollér oliestanden. Kontrollér, at oliestanden er øverst på mærket for fuld tank (B) på oliepingden.
  4. Hvis oliestanden er lav, fyld langsomt olie ind i motorens oliepåfyldning (C). **Overfyld ikke.** Efter oliepåfyldning skal du vente et minut og derefter kontrollere oliestanden igen.
  5. Udskift og fastspænd oliepingden.

### Beskyttelsessystem for lav oliestand (hvis monteret)

Nogle motorer er udstyret med en føler for lav oliestand. Hvis oliestanden er for lav, vil føleren tænde for en advarselslampe eller stoppe motoren. Stop motoren, og følg nedenstående trin, inden motoren startes igen.

- Kontrollér, at motoren står plant.
- Kontrollér oliestanden. Se afsnittet **Kontrol/påfyldning af olie**.
- Hvis oliestanden er lav, efterfyldes den rette mængde olie. Start motoren, og kontrollér at advarselslampe (hvis monteret) er aktiveret.
- Hvis oliestanden ikke er lav, må motoren **ikke startes**. Kontakt en autoriseret Briggs & Stratton forhandler for at få afhjulpet oliestandsproblemet.

### Anbefalinger vedr. brændstof

**Benzinen skal leve op til disse krav:**

- Ren, frisk, blyfri benzin.
- Oktantal på mindst 87/87 AKI (91 RON). Hvis motoren skal anvendes i højtbeliggende områder, henvises til nedenstående.
- Benzin med op til 10 % etanol (gasohol) er acceptabelt.

**FORSIGTIG:** Der må ikke anvendes ikke-godkendt benzin, såsom E15 og E85. Der må ikke blandes olie i benzinen, og motoren må ikke modificeres, så den kan køre med alternative brændstoffer. Hvis der anvendes ikke-godkendt brændstof, vil motorens komponenter blive beskadiget, og **garantien på motoren bortfalder**.

For at beskytte brændstofsysteget fra gummidannelse bland en brændstofstabilisator i brændstoffet. Se afsnittet **Opbevaring**. Intet brændstof er ens. Hvis der opstår problemer ved start eller ydelse, skift da brændstoffeleverandør eller skift brændstoffmærke. Denne motor er anerkendt til benzinbrug. Emissionsreguleringssystemet for denne motor er EM (Engine Modifications) såkaldte justeringer.

### Anvendelse i højtbeliggende områder

Ved højder over 5,000 feet (1524 meters), kan der anvendes brændstof med et oktantal på minimum 85 oktantal/85 AKI (89 oktantal). For at forblive certificeret til at opfylde emissionskravene, skal der foretages justering til drift i højtbeliggende områder. Drift uden denne justering vil resultere i nedsat ydelse, øget brændstofforbrug samt øget emissionsniveau. Kontakt en autoriseret Briggs & Stratton forhandler vedrørende information om justering til drift i højtbeliggende områder.

Betjening af motoren i højtbeliggende områder på under 2.500 fod (762 meter) med sættet beregnet til anvendelse i højtbeliggende områder er ikke anbefalet.

### Påfyldning af brændstof - Figur 3



#### ADVARSEL



**Benzin og benzindampe er yderst brandfarlige og eksplosive. Brand eller eksplosion kan medføre alvorlige forbrændinger eller døden.**



#### Påfyldning af brændstof

- Sluk for motoren, og lad motoren køle af i mindst 2 minutter, før tankdækslet fjernes.
- Påfyld kun benzin udendørs eller på et sted med god udluftning.
- Undlad at fylde for meget brændstof i brændstofftanken. Undlad at fylde helt op til kanten på påfyldningsstudsens, således at der er plads til at brændstoffet kan udvide sig.
- Brændstof skal opbevares i sikker afstand fra gnister, åben ild, vågeblus, varme og andre mulige antændelseskilder.
- Foretag hyppige eftersyn af brændstofslanger, tanken og tankdækslet samt fittings for revner og utætheder. Udskift om nødvendigt.
- Hvis du spilder benzin, så vent med at starte motoren, indtil benzinen er fordampet.

1. Rengør brændstofdækselområdet for snavs og rester. Fjern brændstofdækslet (A, Figur 3).
2. Fyld brændstofftanken (B) op med brændstof. Undlad at fylde helt op til kanten på påfyldningsstudsens (C), således at der er plads til at brændstoffet kan udvide sig.
3. Genmonter tankdækslet.

### Start af motoren - Figur 4



#### ADVARSEL



**Benzin og benzindampe er yderst brandfarlige og eksplosive. Brand eller eksplosion kan medføre alvorlige forbrændinger eller døden.**



#### Start af motoren

- Sørg for, at tændrøret, lyddæmperen, tankdækslet og luftfilteret (hvis monteret) er på plads og forsvarligt fastgjort.
- Tørn ikke motoren, når tændrøret er afmonteret.
- Hvis motoren er druknet, sættes chokeren (hvis monteret) i "OPEN/RUN"-position (kør) og gasspjældsregulatoren i fast-position (hurtig), hvorefter motoren tørnes, indtil den starter.



## ADVARSEL







**FARE FOR GIFTIG GAS. Motorens udstødningssgas indeholder kulilte, en giftig gas, som kan slå en ihjel på få minutter. Du kan IKKE se den, lugte den eller smage den. Du kan godt blive udsat for kulilte, selvom du ikke kan lugte udstødningssgas. Hvis du begynder at føle dig dårlig tilpas, svimmel eller svag under brug af dette produkt, skal du lukke for det og sørge for at indånde frisk luft LIGE MED DET SAMME. Søg lægehjælp. Du kan have kulilteforgiftning.**


- Dette produkt må KUN betjenes udenfor langt fra vinduer, døre og ventilationsanlæg for at reducere risikoen for at der samler sig kulilte, som kan ledes til områder, hvor der befinder sig folk.
- Monter batteridrevne kuliltealarmer eller plug-in kuliltealarmer med batteri-back-up i henhold til producentens anvisninger. Røgalarmer registrerer ikke kuliltegas.
- Betjen IKKE dette produkt inden døre, i garager, kældre, krybeområder, skure eller andre delvist tillukkede områder, selv hvis der anvendes ventilationsanordninger, eller hvis døre og vinduer er åbne for at foretage gennemluftning. Der kan hurtigt samle sig kulilte i sådanne områder, som kan blive hængende i flere timer, selv efter at produktet er blevet inaktiveret.
- Placer ALTID dette produkt i vindretningen, og lad motorens udstødning vende væk fra områder, hvor der opholder sig folk.

**BEMÆRK:** Denne motor blev afsendt fra Briggs & Stratton uden olie. Før du starter motoren, sørg altid for at påfylde olie i henhold til de instruktioner angivet i denne manual. Hvis du starter motoren uden påfyldning af olie, vil denne blive beskadiget og vil ikke kunne repareres mere og derfor ikke være dækket af garantien.

**Bemærk:** Nogle motorer og redskaber er udstyret med fjernbetjening. Se udstyrsmanualen for information om fjernbetjeningens placering og funktion.


1. Kontrollér oliestanden. Se i **Kontrol/påfyldning af olie** afsnittet.
2. Sørg for, at udstyrets kørselsbetjeningsanordninger, hvis monteret, er frakoblet.
3. Drej den brændstofhanen (A), hvis monteret, på on-position (Figur 4).
4. Flyt gasspjældsregulatoren (B) til "FAST"  position (hurtig). Kør motoren i "FAST"  position (hurtig).
5. Træk chokerreguleringsknappen ud (C), hvis monteret, til chokerposition .

**Bemærk:** Når motoren startes med et tomt brændstofs system (første start eller efter, at motoren er løbet tør), skal der foretages tørring i længere tid i chokerposition . Herved får brændstofpumpen tid til at foretage spædning af brændstofs systemet.

6. Sæt stopknappen (D), hvis monteret, på on-position.
7. Drej den elektriske startkontakt (E) på on/start position (Figur 4).
8. Hvis motoren starter og derefter stopper igen, flyttes chokerkontrollen (C) til positionen run  for at starte motoren.

**BEMÆRK:** For at forlænge starterens levetid, brug korte startperioder (maksimalt i fem sekunder). Vent et minut mellem hver startperiode.

**Bemærk:** Hvis motoren ikke starter efter gentagne forsøg, skal du da gå til [VanguardEngines.com](http://VanguardEngines.com) eller ringe på **1-800-999-9333** (i USA).

9. Medens motoren opvarmes, sæt chokerreguleringsanordningen (C) på "RUN"  position (kør).

## Standning af motoren - Figur 4



## ADVARSEL



**Benzin og benzindampe er yderst brandfarlige og eksplosive. Brand eller eksplosion kan medføre alvorlige forbrændinger eller døden.**

- Tip ikke karburatoren til at standse motoren.

1. Flyt gasspjældsregulatoren til "SLOW" position (langsom), og drej tændingskontakten (E) på off-position (Figur 4). Tag tændingsnøglen ud og opbevar denne et sikkert sted uden for børns rækkevidde.
2. Skub stopkontakten (D), hvis monteret, på off-position.
3. Efter standning af motoren sæt da brændstofhanen (A), hvis monteret, på lukket position.

da

## Vedligeholdelse

Vi anbefaler, at du kontakter en autoriseret Briggs & Stratton forhandler vedrørende al vedligeholdelse og service af motoren og motordele.

**BEMÆRK:** Alle dele i denne motor skal være korrekt placeret for at give korrekt funktion.



**ADVARSEL:** Når der udføres vedligeholdelse, der kræver, at enheden vippes, skal brændstoftanken være tom, da brændstoffet ellers kan løbe ud og resultere i brand eller eksplosion.

## Emissionsregulering

**Vedligeholdelse, reservedelsudskiftning eller reparation af de emissionsregulerende anordninger og systemer kan udføres af enhver person eller ethvert ikke-vej motorreparationsværksted.** Hvis du imidlertid ønsker at få udført emissionsregulerende service "uden beregning", så skal arbejdet udføres af en fabriksautoriseret forhandler. Se under afsnittet Emissionsgaranti.



## ADVARSEL



**Gnister, som frembringes ved et uheld, kan medføre brand eller stød.**



**Hvis motoren startes ved et uheld, kan dette medføre, at personer kommer i klemme i redskabets mekanismer, at legemsdele bliver skåret af, eller at personer får snitsår.**



**Brandfare**

### Før justering eller reparation af motoren:

- Tag tændrørskablet af tændrøret, og hold det i sikker afstand fra tændrøret.
- Tag minuskablet af batteriet, hvis motoren er udstyret med el-starter.
- Brug kun korrekt værktøj.
- Foretag aldrig ændring af regulatorfjeder, regulatorforbindelser eller andre dele for at øge motorens omdrejningstal.
- Udskiftningsdele skal være af samme design, og de skal monteres i samme position som de originale dele. Andre reservedele fungerer muligvis ikke så godt, kan evt. resultere i skader på enheden og kan måske resultere i personskade.
- Slå aldrig på svinghullet med en hammer eller en hård genstand, da dette kan få svinghullet til at splintres under drift.

### Kontrol af gnist:

- Brug en godkendt gnisttester.
- Kontrollér ikke gnisten med tændrøret afmonteret.

## Vedligeholdelsesoversigt

### Første 5 timer

- Udskift olie

### For hver 8 driftstimer eller hver dag

- Kontrollér oliestanden i motoren
- Rengør området omkring lyddæmperen og betjeningsanordningerne

### For hver 100 driftstimer eller én gang årligt

- Rengør, eller udskift luftfilteret \* ▲
- Udskift motorolie og filter
- Rengør forfiltret (hvis monteret) \*
- Udskift tændrøret
- Kontrollér lyddæmper og gnistfanger

### For hver 250 driftstimer eller én gang årligt

- Kontrollér ventilfrigangen. Foretag om nødvendigt en justering.

### For hver 400 driftstimer eller én gang årligt

- Udskift luftfilter ▲
- Udskift brændstoffilter
- Rengør luftkølesystemet \*
- Rengør olie køleribber \*

### For hver 600 driftstimer eller én gang årligt

- Udskift sikkerhedsfiltret (hvis monteret)

\* Under støvede forhold eller når luftbåret snavs er til stede, rengør da oftere.

▲ Ved hver tredje luftfilterudskiftning skal du udskifte det indre sikkerhedsfilter (hvis monteret).

## Justering af karburator og motorens omdrejningstal

Der må aldrig foretages justering af karburatoren eller motorens omdrejningstal. Karburatoren er fra fabrikken indstillet til at fungere effektivt under de fleste driftsforhold. Foretag aldrig ændring af regulatorfjeder, regulatorforbindelser eller andre dele for at ændre motorens omdrejningstal. Hvis der skal foretages justering, kontakt da Briggs & Strattons autoriserede servicecenter.

**BEMÆRK:** Udstyrsproducenten specificerer det maksimale motoromdrejningstal for en motor, som den er monteret på udstyret. **Overskrid ikke** denne hastighed. Hvis du er i tvivl om, hvad den maksimale hastighed er for udstyret, eller hvad motorens omdrejningstal er indstillet på fra fabrikken, kontakt da Briggs & Strattons autoriserede servicecenter for hjælp. For at opnå en sikker og korrekt drift af udstyret skal motorens omdrejningstal altid justeres af en kvalificeret servicetekniker.

**BEMÆRK:** Producenten af det redskab, som denne motor er monteret på, har fastsat det maksimale omdrejningstal, som motoren må køre med. Motoren **må ikke** køre med højere omdrejningstal.

## Udskiftning af tændrør - Figur 5

Kontrollér gnistgabets (A, Figur 5) med en wire gauge til måling af tråddimensioner (B). Regulér gabet, hvis dette er nødvendigt. Monter og fastspænd tændrøret til det anbefalede tilspændingsmoment. For regulering eller spænding af gnistgabets, se i **Specifikationer** afsnittet.

**Bemærk:** I visse lande kræver lovgivningen brug af støjdæmpede tændrør for at dæmpe tændingssignalet. Hvis motoren oprindeligt var udstyret med et støjdæmpet tændrør, skal samme type tændrør anvendes ved udskiftning.

## Efterse lyddæmper og gnistfanger - Figur 6



### ADVARSEL



**Kørende motorer udvikler varme. Motorens dele, især lyddæmperen, bliver meget varme.**



**Kontakt med varme dele kan forårsage alvorlige forbrændinger. Der kan gå ild i brændbart affald som f.eks. blade, græs og grene.**

- Lyddæmper, cylinder og køleribber skal køle af, før du rører ved dem.
- Fjern snavs, der samler sig i området omkring lyddæmperen og cylinderen.
- Det er en overtrædelse af "California Public Resource Code, Section 4442" at bruge eller betjene motoren på skovdækkede, kratdækkede eller græsdede områder med mindre, at udstødningssystemet er udstyret med en gnistfanger som defineret i "Section 4442", der skal være i funktionel stand. Andre stater eller føderale jurisdiktioner kan have lignende love. Kontakt producenten af det originale udstyr, en grossist eller forhandler for at købe en gnistfanger, som er designet til udstødningssystemet, som er monteret på denne motor.

Fjern snavs, der samler sig i området omkring lyddæmperen og cylinderen. Efterse lyddæmperen (A, Figur 6) for revner, korrosion eller anden beskadigelse. Fjern gnistfangeren (B), hvis monteret, og kontrollér den for beskadigelse eller kulspæringer. Hvis der konstateres beskadigelser, monteres der reservedele, inden betjening af enheden.



**ADVARSEL:** Udskiftningsdele skal være af samme design, og de skal monteres i samme position som de originale dele. Andre reservedele fungerer muligvis ikke så godt, kan evt. resultere i skader på enheden og kan måske resultere i personskade.

## Olieskift - Figur 7

Brugt olie er et farligt affaldsprodukt og brugt olie skal bortskaffes korrekt. Må ikke bortsmides med husholdningsaffald. Skal bortskaffes i overensstemmelse med gældende lokale bestemmelser (kontakt de kommunale myndigheder, forhandleren eller nærmeste næringsstation).

## Aftapning af olie

1. Mens motoren er slukket, men stadig er varm, frakobl tændrørsledningen (A) og hold denne væk fra tændrøret (Figur 7).
2. Fjern olieaftapningsproppen (B). Tøm olien ned i en godkendt beholder.
3. Efter at olien er blevet aftappet, sæt olieaftapningsproppen på igen, og tilspænd denne.

## Udskiftning af oliefilter

Alle modeller er udstyret med et oliefilter. For udskiftningsintervaller, se i **Vedligeholdelses** oversigten.

1. Tøm olien fra motoren. Se i **Aftapning af olie** afsnittet.
2. Fjern oliefilteret (C, Figur 7), og sørg for at bortskaffe dette på korrekt vis.
3. Før du påmonterer det nye oliefilter, smør let oliefilterets pakning med frisk, ren olie.
4. Montér oliefilteret med hånden indtil pakningen er i kontakt med oliefilteradapteren, og stram derefter oliefilteret 1/2 til 3/4 omgange.
5. Påfyld olie. Se i **Påfyldning af olie** afsnittet.
6. Start og kør motoren. Mens motoren varmes op, kontrollér for olielækager.
7. Stop motoren og kontrollér oliestanden. Kontrollér, at oliestanden er overst på mærket for fuld tank (F) på oliepinden.

## Påfyldning af olie

- Sørg for, at motoren er vandret.
  - Rengør oliepåfyldningsområdet for eventuelt snavs.
  - Se i **Specifikationer** under afsnittet for oliekapacitet.
1. Fjern oliepinden (D, Figur 7) og tør denne med en ren klud.
  2. Hæld langsomt olien ind i motorens oliepåfyldning (E). **Overfyld ikke.** Efter oliepåfyldning skal du vente et minut, og derefter kontrollere oliestanden igen.
  3. Sæt oliepinden på plads og fastspænd denne.
  4. Tag oliepinden ud, og kontrollér oliestanden. Kontrollér, at oliestanden er overst på mærket for fuld tank (F) på oliepinden.
  5. Sæt oliepinden på plads og fastspænd denne.

## Eftersyn af luftfilteret - Figur 8 9



### ADVARSEL



**Benzin og benzindampe er yderst brandfarlige og eksplosive. Brand eller eksplosion kan medføre alvorlige forbrændinger eller døden.**



- Start aldrig motoren eller lad aldrig motoren køre med luftfilterenheden (hvis monteret) eller luftfilteret (hvis monteret) fjernet.

**BEMÆRK:** Anvend ikke trykluft eller opløsningsmidler til rengøring af filteret. Trykluft kan beskadige filteret, og opløsningsmidler opløser det.

Luftfiltersystemet anvender et cyklonisk luftfilter eller et lav profil luftfilter. Se i **Vedligeholdelsesoversigten** for servicekrav.

### Cyklonisk luftfiltersystem

1. Åben klinkerne (A) og fjern dækslet (B). Se Figur 8.
2. Fjern luftfilteret (C).
3. For at løse snavs, bank forsigtigt luftfilteret mod en hård overflade. Hvis luftfilteret er ekstremt snavset, udskift dette med et nyt luftfilter.
4. Det cykloniske luftfiltersystem har også et sikkerhedsfilter (D) (hvis monteret). Se i **Vedligeholdelsesoversigten** for servicekrav. For at fjerne dette skal sikkerhedsfilteret fjernes fra luftfilterhuset (E), og smid dette ud. Sørg for, at der ikke kommer snavs eller rester i motoren.
5. Montér det nye sikkerhedsfilter ind i luftfilterhuset.
6. Montér luftfilteret over sikkerhedsfilteret.
7. Montér dækslet og luk klinkerne.

### Lav profil luftfiltersystem

1. Fjern knappen (F) og dækslet (G). Se Figur 9.
2. Fjern møtrikken (H) og holderingen (J).
3. Fjern luftfilteret (K).
4. Fjern forfilteret (L), hvis monteret, fra luftfilteret.
5. For at løse snavs, bank forsigtigt luftfilteret mod en hård overflade. Hvis luftfilteret er ekstremt snavset, udskift dette med et nyt luftfilter.
6. Vask forfilteret i flydende rensmiddel og vand. Lad det derefter tørre helt. **Smør ikke** forfilteret med olie.
7. Montér det tørre forfilter på luftfilteret.
8. Montér luftfilteret og fastgør det med holdering og møtrik.
9. Montér luftfilterdækslet og fastgør det med knapperne til dækslet.

## Rengøring af luftkølesystemet - Figur 11 12



### ADVARSEL



**Kørende motorer udvikler varme. Motorens dele, især lyddæmperen, bliver meget varme.**



**Kontakt med varme dele kan forårsage alvorlige forbrændinger. Der kan gå ild i brændbart affald som f.eks. blade, græs og grene.**

- Lyddæmper, cylinder og køleribber skal køle af, før du rører ved dem.
- Fjern snavs, der samler sig i området omkring lyddæmperen og cylinderen.

**BEMÆRK:** Brug ikke vand til at rengøre motoren. Vand kan forurene brændstofsystelet. Brug i stedet en børste eller en tør klud til at rengøre motoren. Dette er en luftkølet motor. Snavs og rester kan begrænse luftstrømmen og resultere i overheding af motoren med forringet ydelse og reduceret levetid af motoren til følge.

Anvend en børste eller en klud til fjernelse af snavs fra fingerskærmen (A, Figur 11). Hold ledforbindelser, fjedre og betjeningsanordninger (B) rene. Hold området omkring og bag ved lyddæmperen (C) fri for brændbart affald. Kontrollér, at olieolefiner (D) er fri for snavs og rester.

Rens området under panelet (E, Figur 12). Løsn de to skruer (F), indtil du hører en klik-lyd. Fjern panelet og rens området for snavs og rester. Kontrollér, at undersiden af panelet også er ren. Montér panelet og stram skruerne, indtil du hører en klik-lyd.



## Udskiftning af brændstoffilter - Figur 10



### ADVARSEL



**Benzin og benzindampe er yderst brandfarlige og eksplosive. Brand eller eksplosion kan medføre alvorlige forbrændinger eller døden.**



- Brændstof skal opbevares i sikker afstand fra gnister, åben ild, vågeblus, varme og andre mulige antændelseskilder.
- Foretag hyppige eftersyn af brændstofslinger, tanken og tankdækslet samt fittings for revner og utætheder. Udskift om nødvendigt.
- Før rengøring eller udskiftning af brændstoffilteret skal du aftappe eller lukke brændstoftanken eller dens hane.
- Udskiftningsdele skal være af samme type som originaldelene og skal monteres samme sted.
- Hvis du spilder benzin, så vent med at starte motoren, indtil benzinen er fordampet.

1. Før brændstoffiltret udskiftes (A, Figur 10), hvis monteret, aftap brændstoftanken eller luk brændstoftanken. Ellers kan brændstoffet løbe ud og resultere i brand eller eksplosion.
2. Brug tange til at klemme snittapperne (B) på klemmerne (C), glid så klemmerne væk fra brændstoffiltret. Drej og træk brændstofslingerne (D) væk fra brændstoffiltret.
3. Kontrollér brændstofslingerne for revner eller utætheder. Udskift om nødvendigt defekte dele.
4. Udskift brændstoffiltret med et originalt udskiftningsfilter.
5. Fastgør brændstofslingerne med klemmerne som vist.

## Opbevaring



### ADVARSEL



**Benzin og benzindampe er yderst brandfarlige og eksplosive. Brand eller eksplosion kan medføre alvorlige forbrændinger eller døden.**



#### Opbevaring af brændstof og redskaber med brændstof i tanken

- Sørg for, at benzin og redskaber med brændstof i tanken opbevares i sikker afstand fra fyr, ovne, vandvarmere og andre apparater, hvori der anvendes vågeblus, samt andre antændelseskilder, da disse kan antænde brændstoffdampe.

### Brændstofsysteem

Brændstof kan blive for gammelt ved opbevaring i mere end 30 dage. Gammelt brændstof resulterer i aflejringer af syre og gummi i brændstofsysteem eller i vigtige karburatordele. For at holde brændstoffet friskt anvendes **Briggs & Stratton Advanced Formula Fuel Treatment & Stabilizer**, som kan fås, der hvor der sælges originale Briggs & Stratton reservedele.

På motorer med FRESH START®-tankdæksel skal der anvendes **Briggs & Stratton FRESH START®** fås i en koncentreret indsats med dryppfunktion.

Der er ikke behov for at aftappe benzinen fra motoren, hvis en brændstofstabilisator tilføjes i overensstemmelse med instruktionerne. Lad motoren køre i 2 minutter for at lade stabilisatoren cirkulere gennem hele brændstofsysteem inden opbevaring. Hvis benzinen i motoren ikke er blevet behandlet med en brændstofstabilisator, skal denne aftappes ned i en godkendt beholder. Lad motoren køre indtil denne standser på grund af brændstofmangel. Det anbefales at bruge en brændstofstabilisator i opbevaringsbeholderen for at bevare benzinen i frisk stand.

### Motorolie

Skift motorolien, mens motoren stadig er varm.

### Fejlfinding

Har du brug for assistance? Gå ind på hjemmesiden **VanguardEngines.com** for at finde de nødvendige kontaktinformationer eller ring på **1-800-999-9333** (i USA).

## Specifikationer

Motorspecifikationer	
Modelserie	540000
Slagvolumen	896 cc
Boring	85,5 mm
Slaglængde	78,0 mm
Oliekapacitet	2,3 - 2,4 l

Motorspecifikationer	
Modelserie	610000
Slagvolumen	993 cc
Boring	85,5 mm
Slaglængde	86,5 mm
Oliekapacitet	2,3 - 2,4 l

Optuningsspecifikationer *	
Modelserie	540000
Tændrørsgab	0,76 mm
Tilspændingsmoment for tændrør	20 Nm
Rotorelektrodeafstand	0,13 - 0,20 mm
Ventilspillerum (indsugning)	0,10 - 0,15 mm
Ventilspillerum (udstødning)	0,10 - 0,15 mm

Optuningsspecifikationer *	
Modelserie	610000
Tændrørsgab	0,76 mm
Tilspændingsmoment for tændrør	20 Nm
Rotorelektrodeafstand	0,13 - 0,20 mm
Ventilspillerum (indsugning)	0,10 - 0,15 mm
Ventilspillerum (udstødning)	0,10 - 0,15 mm

\* Motoreffekten falder med 3,5% for hver 300 m over havets overflade og med 1% for hver 5,6° C over 25° C. Motoren kan køre tilfredsstillende ved en hældning på op til 15°. Yderligere oplysninger om grænseværdierne for drift på hældninger findes i udstyrets betjeningsvejledning.

## Fælles reservedele

Reservedel	Delnummer
Luftfilter, cyklonisk	841497
Sikkerhedsfilter, cyklonisk	821136
Luftfilter, lav profil	692519
Forfilter, lav profil	692520
Olie - SAE 30	100028
Oliefilter	842921

Reservedel	Delnummer
Brændstoffilter	691035
Brændstofadditiv	5041, 5058
Støjdæmpet tændrør	491055
Tændrør med platin med lang levetid	5066
Tændrørsgnole	19374
Gnisttæster	19368

✓ Vi anbefaler, at du kontakter en autoriseret Briggs & Stratton forhandler vedrørende al vedligeholdelse og service af motoren og motordele.

## BEGRÆNSET GARANTI

Briggs & Stratton garanterer, at under den neden for angivne garantiperiode vil vi vederlagsfrit reparere eller erstatte enhver del på en motor, som er defekt som følge af materiale- eller fremstillingsfejl. Transportudgifter vedrørende produkter, som indsendes til reparation eller udskiftning i henhold til denne garanti, afholdes af køber. Denne garanti gælder i de nedenfor anførte perioder og på de nedenfor anførte betingelser. For at få udført garantiservice skal du kontakte den nærmeste autoriserede serviceforhandler, som du finder i vores forhandleroversigt på BRIGGSandSTRATTON.COM. Køberen skal kontakte den autoriserede serviceforhandler og derefter stilleproduktet til rådighed for den autoriserede serviceforhandler for inspektion og test.

Der findes ingen anden udtrykkelig garanti. Stiltiende garantier herunder garanti for salgbarhed og egnethed til et bestemt formål er begrænset til et år fra købstidspunktet eller i det omfang, eller i det omfang dette tillades af lovgivningen. Alle andre stiltiende garantier er udelukket. Ansvar for hændelige eller resulterende skader er undtaget i henhold til gældende lovgivning. Nogle lande tillader ikke begrænsninger på varigheden af en stiltiende garanti, og nogle lande tillader ikke begrænsninger i varigheden af stiltiende garantier, og nogle lande tillader ikke undtagelse eller begrænsning af indirekte tab eller følgetab, og som følge heraf er det ikke sikkert, at ovenstående begrænsning og undtagelse gælder for dig. Denne garanti giver dig specifikke juridiske rettigheder, og du kan endvidere have andre rettigheder, som kan variere fra land til land \*\*.

## ALMINDELIGE GARANTIBETINGELSER \* ▲

Mærke/produkttype	Almindelig brug	Erhvervsmæssig brug
Vanguard™ ■	3 år	3 år
Kommerciel plæneserie™	2 år	2 år
Forlænget levetidsserie™; I/C®; Intek™ I/C®; Intek™ Pro;™ Professionel serie™ med Dura-Bore™ støbejernsbøsning 850-serie™ med Dura-Bore™ støbejernsbøsning Sneserie MAX™ with Dura-Bore™ støbejernsbøsning Alle andre Briggs & Stratton-motorer med Dura-Bore™ støbejernsbøsning	2 år	1 år
Alle andre Briggs & Stratton motorer	2 år	90 dage

\* Disse er vores almindelige garantibetingelser, men under tiden kan der foreligge yderligere garantidækning, som ikke var fastlagt på udgivelsestidspunktet. Se en liste over gældende garantibetingelser for din motor ved at gå til BRIGGSandSTRATTON.COM, eller kontakt din autoriserede Briggs & Stratton-forhandler.

\*\* I Australien – Vores varer leveres med garantier, der ikke kan udelukkes under den australske forbrugerlovgivning. Du har ret til ombytning eller refundering for en større fejl og kompensation for ethvert andet rimeligt forudseeligt tab eller skade. Du har også ret til at få varerne repareret eller udskiftet, hvis varerne ikke er af acceptabel kvalitet, og fejlen ikke udgør en større fejl. For garantiservice skal du finde den nærmeste uautoriserede serviceforhandler på vores forhandleroversigt på BRIGGSandSTRATTON.COM eller ringe til 1300 274 447 eller sende en e-mail eller skrive til salesenquiries@briggsandstratton.com.au, Briggs & Stratton Australia Pty Ltd, 1 Moorebank Avenue, Moorebank, NSW, Australia, 2170.

▲ Nødgeneratorer til almindelig brug: Kun 2 års garanti til almindeligt brug. Ingen erhvervs garanti. Denne garanti gælder ikke for motorer på udstyr, der anvendes som primæreffekt i stedet for normal kraftforsyning. **Motorer, der anvendes i væddeløbskørsel eller på kommercielle eller lejede baner, er ikke omfattet af garantien.**

■ Vanguard monteret på nødgenerator til privat brug: 2 års almindelig brug, ingen garanti for erhvervsbrug. Vanguard monteret på erhvervskøretøjer: 2 års almindelig brug, 2 års erhvervsbrug. Vanguard 3-cylindret, væskekolet: Se garantibeviset for ejere af Briggs & Stratton 3/LC.

Garantiperioden løber fra den dato, hvor den første privatkunde eller erhvervskunde købte produktet, og løber i den tidsperiode, der er anført i ovenstående tabel. "Almindelig brug" betyder brug i privat husholdning af en almindelig privatbruger. "Erhvervsmæssig brug" henviser til al øvrig brug, herunder brug til erhvervs-, indtægts- eller lejeformål. Når en motor har været anvendt erhvervsmæssigt, skal den herefter anses for at være en motor til erhvervsbrug i henhold til denne garanti.

**Fremvisning af garantibevis er ikke påkrævet for at gøre garantien på produkter fra Briggs & Stratton gældende. Gem din købskvittering. Hvis du ikke kan fremvise dokumentation for den oprindelige købsdato på det tidspunkt, hvor garantikravet gøres gældende, vil produktets fremstillingsdato blive brugt som grundlag for fastlæggelse af garantiperioden.**

## Om garantien

Briggs & Stratton byder garantireparation velkommen og undskylder for din ubehøjelighed. Enhver autoriseret serviceforhandler kan udføre garantireparationer. De fleste garantireparationer håndteres rutinemæssigt, men sommetider er anmodninger om garantiservice ikke korrekt. For at undgå misforståelser, der kan opstå mellem kunden og forhandleren, angives neden for nogle af årsagerne til motorsvigt, som garantien ikke dækker.

**Normal slitage:** Ligesom alt andet mekanisk udstyr skal motordele efterses regelmæssigt og udskiftes for at yde det optimale. Garantien omfatter ikke reparationsarbejde, hvis en del eller motoren er slidt op som følge af normal brug. Garantien gælder f.eks. ikke, hvis motorskaden opstod som følge af forkert brug, mangel på regelmæssig vedligeholdelse, ukorrekt transporthåndtering, opbevaring eller montering. Garantien bortfalder ligeledes, hvis motorens serienummer er fjernet, eller hvis motoren er ændret eller modificeret.

**Forkert vedligeholdelse:** En motors levetid afhænger af de forhold, den anvendes under, og dens vedligeholdelse. Udstyr som f.eks. fræsere, pumper og rotorplæneklippere anvendes ofte under meget støvede eller snavede forhold, hvilket kan forårsage, hvad der tilsyneladende er for tidlig slitage. Slitage, som skyldes snavs, støv, slibemiddel til tændrør eller andre slibende materialer, der er kommet i motoren på grund af forkert vedligeholdelse, er ikke omfattet af garantien.

**Denne garanti omfatter kun motordefekt som følge af materiale- og/eller fremstillingsfejl og ikke udskiftning eller erstatning af det redskab, hvorpå motoren er monteret. Endvidere omfatter garantien ikke reparationer som følge af:**

- 1 Problemer, som skyldes brug af dele, der ikke er originale Briggs & Stratton dele.
- 2 Redskabets betjeningsgreb eller installationer, som forhindrer start, forårsager utilfredsstillende motorydelse eller afkorter motorens levetid. (Yderligere oplysninger fås ved at kontakte redskabsproducenten).
- 3 Lækkende karburatorer, tilstoppede brændstofslinger, fastsiddende ventiler eller anden skade, som skyldes brug af forurenede eller gammelt brændstof.

- 4 Dele, som er ridsede eller knækket, fordi en maskine er betjent med utilstrækkelig eller forurenede smøreolie eller en forkert kvalitet. (Kontrollér og genopfyld efter behov, og foretag olieskift på baggrund af de anbefalede intervaller). OIL GARD vil ikke i alle tilfælde standse motoren. Motoren kan beskadiges, hvis oliestanden ikke kontrolleres regelmæssigt.
- 5 Reparation eller justering af tilhørende dele eller konstruktioner som f.eks. koblinger, gearkasser, fjernbetjeninger osv., som ikke er Briggs & Stratton produkter.
- 6 Beskadigelse af eller slitage på dele, som skyldes snavs i motoren på grund af manglende vedligeholdelse af luftfilter, ukorrekt genmontering eller brug af et uoriginalt luftfilter eller en uoriginal filterpatron. Filteret skal rengøres og/eller udskiftes med de anbefalede intervaller, der er angivet i betjeningsvejledningen.
- 7 Dele, som beskadiges, fordi motoren kører med for høje omdrejningstal eller overophedes som følge af græs, aflejringer eller snavs, der tilstopper kølerribberne eller området omkring svinghjulet, eller skader som følge af brug af motoren i et lukket rum uden tilstrækkelig udluftning. Rengør motoren for snavs med de anbefalede intervaller, der er angivet i betjeningsvejledningen.
- 8 Motor- eller redskabsdele, der knækker på grund af for voldsomme vibrationer som følge af løs motormontering, løse skæreknive, ubalancerede knive eller løse eller ubalancerede blæserhjul, forkert montering af redskabet på motorens krumpaksel, kørsel med for høje omdrejningstal eller anden forkert brug.
- 9 En bøjet eller brækket krumpaksel som følge af påkørsel af en fast genstand med plæneklipperens skæreknive eller en for stram kilerem.
- 10 Rutinemæssig optuning eller justering af motoren.
- 11 Motor- eller komponentsvigt i forbrændingskammer, ventiler, ventilslæder, ventilstyr eller brændte startmotorviklinger som følge af brug af alternative brændstoffer som f.eks. flydende petroleum, naturgas, benzin med et indhold af ethanol på over 10 % osv.

**Garantiarbejde må kun udføres af serviceforhandlere, som er autoriseret af Briggs & Stratton Corporation. Den nærmeste autoriserede serviceforhandler finder du i vores forhandleroversigt på BRIGGSandSTRATTON.COM eller ved at kontakte os telefonisk på 1-800-233-3723 (i USA).**

## Allgemeines

Dieses Handbuch enthält Sicherheitshinweise, die Sie auf die Gefahren und Risiken beim Betrieb von Motoren hinweisen und Ihnen helfen sollen, diese Gefahren zu vermeiden. Ferner enthält es Anweisungen für den angemessenen Gebrauch und die richtige Pflege des Motors. Da die Briggs & Stratton Corporation nicht genau wissen kann, welches Gerät von diesem Motor angetrieben wird, ist es wichtig, dass Sie diese Anweisungen sowie die Anweisungen für das Gerät sorgfältig durchlesen. **Bewahren Sie diese Anleitung auf, um später darauf zurückgreifen zu können.** Für Ersatzteile oder technische Unterstützung tragen Sie hier die Modell-, Typen- und Codenummer des Motors und das Kaufdatum ein. Diese Nummern befinden sich an Ihrem Motor (siehe die Seite **Funktionen und Bedienungselemente**).

**Kaufdatum:** \_\_\_\_\_  
TT/MM/JJJJ

**Motormodell:** \_\_\_\_\_  
Modell: Typ: Code:

**Nennleistungen:** Die Brutto-Nennleistung für individuelle Benzinmotormodelle ist entsprechend dem SAE-Code (Society of Automotive Engineers) J1940 (Leistungs- & Drehmomentbestimmung für kleine Motoren) gekennzeichnet und wird entsprechend SAE J1995 ermittelt. Drehmomentwerte werden für Motoren mit "rpm" auf dem Aufkleber bei 2600 U/min und für alle anderen bei 3060 U/min ermittelt, PS-Leistungswerte bei 3600 U/min. Die Brutto-Leistungskurven können unter [www.BRIGGSandSTRATTON.COM](http://www.BRIGGSandSTRATTON.COM) eingesehen werden. Netto-Nennleistungswerte wurden bei eingebauten Abgas- und Luftfiltern ermittelt, die Brutto-Leistungswerte wurden ohne diese Systeme ermittelt. Die tatsächliche Brutto-Motorleistung ist höher als die Nettoleistung und wird u. a. von den Einsatzbedingungen sowie von motorspezifischen Faktoren beeinträchtigt. Aufgrund des breiten Produktangebots, an dem die Motoren eingesetzt werden, entwickelt der Benzinmotor beim Einsatz an einem spezifischen Motorgerät eventuell nicht die angegebene Brutto-Nennleistung. Dieser Unterschied beruht auf einer Vielzahl von Faktoren wie u. a. Motorkomponenten (Luftfilter, Auspuff, Ladung, Kühlung, Vergaser, Kraftstoffpumpe usw.), Anwendungseinschränkungen, Einsatzbedingungen (Temperatur, Feuchtigkeit, Höhe) und Abweichungen von Motor zu Motor. Aufgrund von Herstellungs- und Kapazitätsengpässen kann Briggs & Stratton für einen Motor dieser Serie ersatzweise einen Motor mit höherer Nennleistung liefern.

## Sicherheit der Bedienungsperson

### WARN- UND REGLERSYMBOLE



Das Warnsymbol (⚠) kennzeichnet Sicherheitsinformationen zu Risiken, die zu Verletzungen führen können. Zusammen mit dem Symbol wird ein Signalwort (GEFAHR, ACHTUNG oder VORSICHT) verwendet, um den Grad der Gefahr und die Schwere der möglichen Verletzung anzugeben. Darüber hinaus kann ein Gefahrensymbol zur Kennzeichnung der Art der Gefahr benutzt werden.

**GEFAHR** kennzeichnet ein Risiko, das zu **Tod oder schweren Verletzungen** führt, wenn der Hinweis nicht beachtet wird.

**ACHTUNG** kennzeichnet ein Risiko, das zu **Tod oder schweren Verletzungen** führen kann, wenn der Hinweis nicht beachtet wird.

**VORSICHT** zeigt ein Risiko an, das zu **kleineren Verletzungen** führen kann.

**ANMERKUNG** kennzeichnet eine Situation, die zu **Produktschaden** führen kann.

### ⚠ ACHTUNG

Einige Komponenten in diesem Produkt und anverwandtes Zubehör enthalten Chemikalien, die im Staat Kalifornien als Erreger von Krebs, Geburtsschäden oder anderen Fortpflanzungsschäden gelten. Nach Arbeiten an diesen Komponenten die Hände waschen.

### ⚠ ACHTUNG

Die Motorabgase dieses Produkts enthalten Chemikalien, die in Kalifornien als Erreger von Krebs, Geburtsschäden und anderen Fortpflanzungsschäden gelten.

### ⚠ ACHTUNG

Motoren von Briggs & Stratton sind nicht konzipiert und nicht geeignet für den Antrieb von Fun-Karts, Go-Karts, Geländefahrzeugen für Kinder, Freizeit oder Sport, Motorrädern, Luftkissenfahrzeugen, Luftfahrzeugen oder Fahrzeugen für den Rennsport, wenn dies nicht von Briggs & Stratton genehmigt ist. Für weitergehende Informationen über Rennsportprodukte, siehe [www.briggsracing.com](http://www.briggsracing.com). Für Informationen über Utility- und Side-by-Side-Quads wenden Sie sich bitte an Briggs & Stratton Engine Application Center, 1-866-927-3349. Ein nicht angemessener Einsatz der Motoren kann zu schweren Verletzungen oder zum Tod führen.

**ANMERKUNG:** Dieser Motor wird von Briggs & Stratton ohne Öl geliefert. Vor Start des Motors muss entsprechend den Anweisungen in dieser Anleitung Öl nachgefüllt werden. Wenn der Motor ohne Öl gestartet wird, wird er so beschädigt, dass er nicht mehr repariert werden kann. Dieser Schaden wird nicht von der Garantie abgedeckt.



## ACHTUNG



**Kraftstoff und Kraftstoffdämpfe sind extrem leicht entflammbar und explosiv.**



**Feuer oder Explosionen können zu schweren Verbrennungen oder Tod führen.**

### Beim Nachfüllen von Kraftstoff

- Den Motor ausschalten und mindestens 2 Minuten lang abkühlen lassen, bevor der Tankdeckel abgenommen wird.
- Den Kraftstofftank im Freien oder in einem gut belüfteten Bereich füllen.
- Den Kraftstofftank nicht überfüllen. Um dem Kraftstoff Platz zum Ausdehnen zu lassen, nicht über die Unterkante des Kraftstofftankstutzens hinaus füllen.
- Kraftstoff von Funken, offenen Flammen, Dauerflammen, Wärmequellen und anderen Entzündungsherden fernhalten.
- Kraftstoffleitungen, Tank, Deckel und Anschlüsse regelmäßig auf Sprünge und undichte Stellen untersuchen und bei Bedarf austauschen.
- Wenn Kraftstoff verschüttet wurde, warten, bis sich die Dämpfe verflüchtigt haben, bevor der Motor gestartet wird.

### Beim Start des Motors

- Darauf achten, dass Zündkerze, Schalldämpfer, Tankdeckel und Luftfilter (falls vorhanden) an ihrem Platz und sicher befestigt sind.
- Nicht den Motor anlassen, wenn die Zündkerze entfernt wurde.
- Wenn der Motor überfettet ist, den Choke (falls vorhanden) auf offene/Betriebs-Position und den Gashebel (falls vorhanden) auf schnelle Position stellen und den Motor anlassen, bis er anspringt.

### Bei Betrieb des Geräts

- Motor bzw. Gerät nicht so kippen, dass Kraftstoff verschüttet werden könnte.
- Zum Stoppen des Motors nicht den Choke benutzen.
- Niemals den Motor mit abgenommenem Luftfilter (falls vorhanden) oder Filtereinsatz (falls vorhanden) starten oder laufen lassen.

### Beim Ölwechsel

- Wenn das Öl aus dem oberen Öleinfüllrohr abgelassen wird, muss der Kraftstofftank leer sein, weil sonst Kraftstoff auslaufen und Feuer oder Explosionen verursachen kann.

### Wenn das Gerät zur Wartung gekippt wird

- Bei Wartungsarbeiten, bei denen das Gerät gekippt werden muss, muss der Kraftstofftank leer sein, weil sonst Kraftstoff auslaufen und Feuer oder Explosionen verursachen kann.

### Beim Transport des Geräts

- Das Gerät mit LEEREM Kraftstofftank oder mit GESCHLOSSENEM Kraftstoffhahn transportieren.

### Beim Lagern von Kraftstoff oder von Geräten mit Kraftstoff im Tank

- Niemals in der Nähe von Öfen, Herden, Warmwasserbereitern oder ähnlichen Geräten mit Dauerflammen oder anderen Zündquellen abstellen, weil Kraftstoffdämpfe entzündet werden könnten.



## ACHTUNG



**Beim Start des Motors werden Funken erzeugt.**



**Funken können entflammare Gase in der Nähe entzünden.**

**Es kann zu Feuer und Explosionen kommen.**

- Wenn sich undichte Gasleitungen in der Nähe befinden, darf der Motor nicht gestartet werden.
- Keine unter Druck stehenden Startflüssigkeiten verwenden, weil sich ihre Dämpfe entzünden könnte.



## ACHTUNG



**Wenn das Starterseil schnell zurückspringt, werden Hand und Arm schneller zum Motor gezogen, als das Seil losgelassen werden kann.**

**Es kann zu Knochenbrüchen, Quetschungen und Verstauchungen kommen.**

- Zum Start des Motors langsam am Starterseil ziehen, bis Widerstand spürbar wird, und dann kräftig ziehen, um Rückschlag zu vermeiden.
- Alle externen Geräte- und Motorlasten beseitigen, bevor der Motor gestartet wird.
- Direkt mit dem Motor verbundene Gerätekomponenten wie u.a. Schnittmesser, Impeller, Seilscheiben, Zahnräder usw. müssen sicher befestigt sein.



## ACHTUNG



**GIFTGASGEFAHR. Motorabgase enthalten Kohlenmonoxid, ein giftiges Gas, das einen Menschen in Minuten töten kann. Man kann es NICHT sehen, riechen oder schmecken. Selbst wenn Sie keine Abgase riechen, könnten Sie dennoch Kohlenmonoxid ausgesetzt sein. Wenn Sie merken, dass Ihnen während der Verwendung dieses Produktes schlecht, schwindelig oder flau wird, schalten Sie das Gerät SOFORT aus und gehen Sie an die frische Luft. Suchen Sie einen Arzt auf. Es besteht Gefahr von Kohlenmonoxidvergiftung.**

- Setzen Sie dieses Produkt NUR im Freien in angemessener Entfernung von Fenstern, Türen und Lüftungsöffnungen ein, damit sich Kohlenmonoxid nicht ansammeln und möglicherweise in Räume eindringen kann, in denen sich Menschen aufhalten.
- Bringen Sie batteriebetriebene Kohlenmonoxid-Warnmelder oder netzbetriebene Warnmelder mit Batterie-Notstromversorgung entsprechend den Herstelleranweisungen an. Rauchmelder reagieren nicht auf Kohlenmonoxid.
- Lassen Sie dieses Produkt NICHT in Häusern, Wohnungen, Garagen, Kellern, Schuppen oder anderen teilweise geschlossenen Räumen laufen, selbst wenn Ventilatoren aufgestellt oder Türen und Fenster zur Belüftung geöffnet werden. Kohlenmonoxid kann sich in solchen Räumen schnell ansammeln und stundenlang dort bleiben, selbst nachdem das Produkt abgeschaltet wurde.
- Stellen Sie dieses Produkt IMMER in Windrichtung auf und richten Sie den Motorauspuff weg von Räumen, in denen sich Menschen aufhalten.



## ACHTUNG



**Rotierende Teile können Hände, Füße, Haare, Kleidungsstücke oder Schmuck berühren und sich darin verfangen.**

**Es kann zu Amputationen oder anderen schweren Verletzungen kommen.**

- Beim Einsatz des Geräts müssen sich alle Schutzvorrichtungen an ihrem Platz befinden.
- Hände und Füße von rotierenden Teilen fern halten.
- Lange Haare hochbinden und Schmuck abnehmen.
- Keine lose sitzende Kleidung, herunterbaumelnde Schnüre oder ähnliche Teile tragen, die sich verfangen könnten.



## ACHTUNG



**Laufende Motoren erzeugen Wärme. Motorteile, insbesondere Schalldämpfer, werden extrem heiß.**



**Bei Berührung kann es zu schweren Verbrennungen kommen.**

**Brennbare Fremdkörper wie Laub, Gras usw. können sich entzünden.**

- Schalldämpfer, Zylinder und Kühlrippen abkühlen lassen, bevor sie berührt werden.
- Fremdkörperansammlungen vom Schalldämpfer- und Zylinderbereich entfernen.
- Der Einsatz des Motors auf Wald-, Busch- oder Grasland verstößt gegen das kalifornische Gesetz (public resource code, section 4442), wenn die Auspuffanlage nicht mit einem vorgeschriebenen betriebsfähigen Funkenfänger ausgestattet ist. In anderen Bundesstaaten können ähnliche Gesetze gelten. Einen passenden Funkenfänger für die an diesem Motor installierte Auspuffanlage finden Sie beim Gerätehersteller oder Händler.



## ACHTUNG



**Funken können Feuer oder Stromschläge verursachen.**

**Ungewollter Start kann schwere Verletzungen verursachen.**



**Feuergefahr**



### Vor Einstellungs- oder Reparaturarbeiten:

- Das Zündkabel abziehen und von der Zündkerze fern halten.
- Die Batterie von der negativen Klemme lösen (nur Motoren mit Elektrostart).
- Die richtigen Werkzeuge verwenden.
- Nicht an Reglerfeder, Gestängen oder anderen Teilen herumbasteln, um die Drehzahl zu erhöhen.
- Ersatzteile müssen die gleiche Konstruktion haben und in derselben Position installiert werden wie die Originalteile. Andere Teile bringen eventuell nicht die gleiche Leistung, können das Gerät beschädigen und Verletzungen verursachen.
- Nicht mit einem Hammer oder anderen harten Gegenstand gegen das Schwungrad schlagen, weil es sonst später während des Betriebs auseinanderplatzen könnte.

### Bei der Zündfunkenkontrolle:

- Einen geeigneten Zündkerzenprüfer verwenden.
- Nicht bei entfernter Zündkerze kontrollieren, ob ein Zündfunke vorhanden ist.

# Funktionen und Bedienungselemente

Vergleichen Sie die Abbildung **1** mit Ihrem Motor, um die Positionen der einzelnen Funktionen und Bedienungselemente kennen zu lernen.

- A. Motorkennzeichnung  
**Modell Typ Code**
- B. Zündkerze
- C. Luftfilter, Zyklon
- D. Luftfilter, flach
- E. Ölmesstab
- F. Öleinfüllung
- G. Ölfilter
- H. Ölablassschraube
- I. Öldrucksensor
- J. Fingerschutz
- K. E-Starter
- L. Startermagnetschalter
- M. Regler/Gleichrichter
- N. Vergaser
- O. Ölkühler (Zubehör)
- P. Schalldämpfer (Zubehör)
- Q. Kraftstoffpumpe
- R. Anlasserschalter
- S. Gashebel
- T. Chochebel
- U. Kraftstofffilter (Zubehör)

\* Einige Motoren und Geräte sind mit Fernsteuerung ausgerüstet. Die Anordnung und der Betrieb der Fernsteuerung werden im Gerätehandbuch beschrieben.

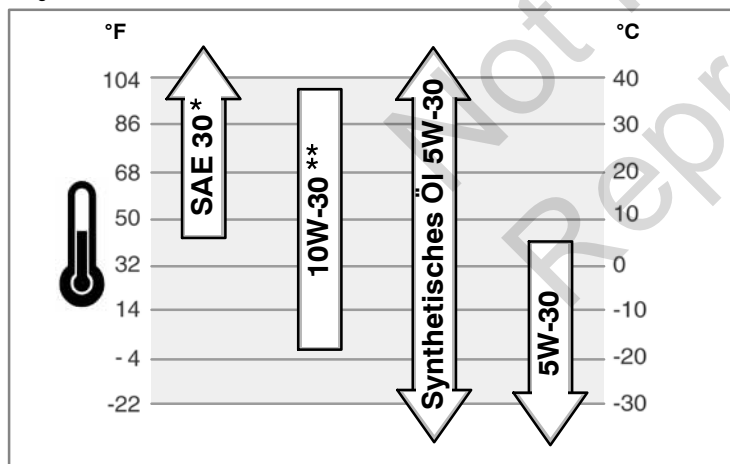
## Betrieb

Ölfassungsvermögen (siehe Abschnitt **Spezifikationen**)

### Empfehlungen zum Öl

Für optimale Leistung empfehlen wir Öle mit Briggs & Stratton-Garantiezerifikat. Andere hochwertige HD-Öle mit der Klassifizierung "for service SF, SG, SH, SJ" oder höher sind zulässig. Keine speziellen Zusätze verwenden.

Die Umgebungstemperaturen bestimmen die richtige Ölviskosität für den Motor. Wählen Sie die beste Viskosität für den voraussichtlichen Temperaturbereich anhand des Diagramms aus.



\* Unter 4°C führt die Verwendung von SAE 30 zu Startschwierigkeiten.

\*\* Über 27°C kann 10W-30 zu höherem Ölverbrauch führen. Den Ölstand häufiger kontrollieren.

### Kontrolle/Nachfüllen von Öl - Abb. 2

Vor dem Nachfüllen von Öl bzw. der Ölstandskontrolle

- Den Motor waagrecht stellen.
- Den Öleinfüllbereich von Fremdkörpern reinigen.
- 1. Den Peilstab (A) herausziehen und mit einem sauberen Lappen (Abb. 2) abwischen.
- 2. Den Peilstab einsetzen und festziehen.
- 3. Den Peilstab herausziehen und den Ölstand kontrollieren. Der Ölstand sollte oben an der Voll-Marke (B) am Peilstab stehen.
- 4. Wenn der Ölstand zu niedrig ist, Öl langsam in die Motoröleinfüllöffnung (C) gießen. **Nicht überfüllen.** Nach dem Einfüllen des Öls eine Minute warten und dann den Ölstand nachkontrollieren.
- 5. Den Peilstab wieder einsetzen und festziehen.

de

### Ölmangel-Schutzsystem (falls vorhanden)

Einige Motoren sind mit einem Ölmangelsensor ausgestattet. Bei zu niedrigem Ölstand aktiviert der Sensor entweder eine Warnlampe oder stoppt den Motor. Den Motor abstellen und die folgenden Schritte durchgehen, bevor der Motor wieder gestartet wird.

- Darauf achten, dass der Motor waagrecht steht.
- Den Ölstand kontrollieren. Siehe den Abschnitt **Kontrolle/Nachfüllen von Öl**.
- Bei zu niedrigem Ölstand die erforderliche Menge Öl nachfüllen. Den Motor starten und darauf achten, dass die Warnlampe (falls vorhanden) nicht aktiviert wird.
- Wenn der Ölstand nicht zu niedrig ist, darf der Motor **nicht wieder gestartet** werden. Wenden Sie sich an einen Briggs & Stratton-Vertragshändler, um das Problem beheben zu lassen.

### Kraftstoffempfehlungen

Kraftstoff muss diese Anforderungen erfüllen:

- Sauberes, frisches, bleifreies Benzin.
- Mindestens 87 Oktan/87 AKI (91 RON). Bei Einsatz in großen Höhen siehe unten.
- Benzin mit einem Anteil an Ethanol (Gasohol) von bis zu 10% ist akzeptabel.

**VORSICHT:** Kein nicht zugelassenes Benzin wie E15 oder E85 verwenden. Kein Öl mit dem Benzin mischen. Den Motor nicht so modifizieren, dass er mit alternativen Kraftstoffen laufen kann. Bei Verwendung nicht zugelassener Kraftstoffe werden Motorkomponenten beschädigt, und die **Motorgarantie wird aufgehoben**.

Zum Schutz der Kraftstoffanlage vor Kraftstoffrückständen sollte dem Kraftstoff ein Kraftstoffstabilisator beigemischt werden. Siehe **Lagerung**. Nicht jeder Kraftstoff ist gleich. Wenn es zu Start- oder Leistungsproblemen kommt, sollte der Kraftstoff anderswo gekauft oder die Marke gewechselt werden. Dieser Motor ist für den Betrieb mit Benzin zugelassen. Der Motor hat das Abgassystem EM (Engine Modifications).

### Einsatz in großen Höhen

In Höhen über 1500 m ist Benzin mit mindestens 85 Oktan/85 AKI (89 RON) akzeptabel. Damit die Emissionsbestimmungen weiterhin erfüllt werden, ist eine Einstellung für große Höhen erforderlich. Wenn der Motor ohne diese Einstellung läuft, kommt es zu Leistungsabfall, erhöhtem Kraftstoffverbrauch und mehr Emissionen. Informationen zur Einstellung für große Höhen bekommen Sie bei einem Briggs & Stratton-Vertragshändler.

Es wird nicht empfohlen, den Motor in Höhen unter 760 m einzusetzen, wenn der Satz für große Höhen installiert ist.

### Nachfüllen von Kraftstoff - Abb. 3



#### ACHTUNG



Kraftstoff und Kraftstoffdämpfe sind extrem leicht entflammbar und explosiv.



Feuer oder Explosionen können zu schweren Verbrennungen oder Tod führen.

#### Beim Nachfüllen von Kraftstoff

- Den Motor ausschalten und mindestens 2 Minuten lang abkühlen lassen, bevor der Tankdeckel abgenommen wird.
- Den Kraftstofftank im Freien oder in einem gut belüfteten Bereich füllen.
- Den Kraftstofftank nicht überfüllen. Um dem Kraftstoff Platz zum Ausdehnen zu lassen, nicht über die Unterkante des Kraftstofftankstutzens hinaus füllen.
- Kraftstoff von Funken, offenen Flammen, Dauerflammen, Wärmequellen und anderen Entzündungsherden fernhalten.
- Kraftstoffleitungen, Tank, Deckel und Anschlüsse regelmäßig auf Sprünge und undichte Stellen untersuchen und bei Bedarf austauschen.
- Wenn Kraftstoff verschüttet wurde, warten, bis sich die Dämpfe verflüchtigt haben, bevor der Motor gestartet wird.

1. Den Bereich um den Tankdeckel von Schmutz und Fremdkörpern reinigen. Den Tankdeckel (A, Abb. 3) abnehmen.
2. Den Kraftstofftank (B) mit Kraftstoff füllen. Um dem Kraftstoff Platz zum Ausdehnen zu lassen, nicht über die Unterkante des Kraftstofftankstutzens (C) hinaus füllen.
3. Den Tankdeckel wieder anbringen.

### Start des Motors - Abb. 4



#### ACHTUNG



Kraftstoff und Kraftstoffdämpfe sind extrem leicht entflammbar und explosiv.



Feuer oder Explosionen können zu schweren Verbrennungen oder Tod führen.

#### Beim Start des Motors

- Darauf achten, dass Zündkerze, Schalldämpfer, Tankdeckel und Luftfilter (falls vorhanden) an ihrem Platz und sicher befestigt sind.
- Nicht den Motor anlassen, wenn die Zündkerze entfernt wurde.
- Wenn der Motor überfettet ist, den Choke (falls vorhanden) auf offene/Betriebs-Position und den Gashebel (falls vorhanden) auf schnelle Position stellen und den Motor anlassen, bis er anspringt.



## ACHTUNG



**GIFTGASGEFAHR. Motorabgase enthalten Kohlenmonoxid, ein giftiges Gas, das einen Menschen in Minuten töten kann. Man kann es NICHT sehen, riechen oder schmecken. Selbst wenn Sie keine Abgase riechen, könnten Sie dennoch Kohlenmonoxid ausgesetzt sein. Wenn Sie merken, dass Ihnen während der Verwendung dieses Produktes schlecht, schwindelig oder flau wird, schalten Sie das Gerät SOFORT aus und gehen Sie an die frische Luft. Suchen Sie einen Arzt auf. Es besteht Gefahr von Kohlenmonoxidvergiftung.**

- Setzen Sie dieses Produkt NUR im Freien in angemessener Entfernung von Fenstern, Türen und Lüftungsöffnungen ein, damit sich Kohlenmonoxid nicht ansammeln und möglicherweise in Räume eindringen kann, in denen sich Menschen aufhalten.
- Bringen Sie batteriebetriebene Kohlenmonoxid-Warmmelder oder netzbetriebene Warmmelder mit Batterie-Notstromversorgung entsprechend den Herstelleranweisungen an. Rauchmelder reagieren nicht auf Kohlenmonoxid.
- Lassen Sie dieses Produkt NICHT in Häusern, Wohnungen, Garagen, Kellern, Schuppen oder anderen teilweise geschlossenen Räumen laufen, selbst wenn Ventilatoren aufgestellt oder Türen und Fenster zur Belüftung geöffnet werden. Kohlenmonoxid kann sich in solchen Räumen schnell ansammeln und stundenlang dort bleiben, selbst nachdem das Produkt abgeschaltet wurde.
- Stellen Sie dieses Produkt IMMER in Windrichtung auf und richten Sie den Motorauspuff weg von Räumen, in denen sich Menschen aufhalten.

**ANMERKUNG:** Dieser Motor wird von Briggs & Stratton ohne Öl geliefert. Vor Start des Motors muss entsprechend den Anweisungen in dieser Anleitung Öl nachgefüllt werden. Wenn der Motor ohne Öl gestartet wird, wird er so beschädigt, dass er nicht mehr repariert werden kann. Dieser Schaden wird nicht von der Garantie abgedeckt.

**Hinweis:** Einige Motoren und Geräte sind mit Fernsteuerung ausgerüstet. Die Anordnung und der Betrieb der Fernsteuerung werden im Gerätehandbuch beschrieben.

1. Den Ölstand kontrollieren. Siehe den Abschnitt **Kontrolle/Nachfüllen von Öl**.
2. Darauf achten, dass die Bedienungselemente für den Geräteantrieb (falls vorhanden) ausgeschaltet sind.
3. Den Kraftstoffhahn (A) (falls vorhanden) aufdrehen (Abb. 4).
4. Den Gashebel (B) auf schnelle Position stellen. Den Motor mit dem Gashebel auf schneller Position laufen lassen.
5. Den Chokehebel (C, falls vorhanden) auf Choke-Position herausziehen.  
**Hinweis:** Um den Motor mit einem trockenen Kraftstoffsystem zu starten (erster Start oder erneuter Start nach Verbrauch des gesamten Kraftstoffs), muss er längere Zeit in Choke-Position angelassen werden. Dadurch erhält die Kraftstoffpumpe mehr Zeit, den Kraftstoff anzusaugen.
6. Den Stoppschalter (D) (falls vorhanden) auf eingeschaltete Position stellen.
7. Den E-Start-Schalter (E) auf Position An/Start stellen (Abb. 4).
8. Falls der Motor zündet, aber nicht weiterläuft, den Chokehebel (C) zum Start des Motors auf Betriebsposition stellen.

**ANMERKUNG:** Um die Lebensdauer des Anlassers zu verlängern, den Anlasser jeweils nur kurz betätigen (maximal fünf Sekunden). Zwischen den Betätigungen jeweils eine Minute warten.

**Hinweis:** Wenn der Motor nach wiederholten Versuchen nicht anspringt, konsultieren Sie [VanguardEngines.com](http://VanguardEngines.com) oder rufen Sie 1-800-999-9333 an (in den USA).

9. Wenn sich der Motor aufwärmt, den Choke-Hebel (C) auf Position Betrieb stellen.

## Abstellen des Motors - Abb. 4



## ACHTUNG



**Kraftstoff und Kraftstoffdämpfe sind extrem leicht entflammbar und explosiv. Feuer oder Explosionen können zu schweren Verbrennungen oder Tod führen.**

- Zum Stoppen des Motors nicht den Choke benutzen.

1. Den Gashebel in die langsame Position bewegen und den Zündschalter (E) auf ausgeschaltete Position drehen (Abb. 4). Den Schlüssels abziehen und an einem sicheren Ort für Kinder unzugänglich aufbewahren.
2. Den Stoppschalter (D, falls vorhanden) auf ausgeschaltete Position stellen.
3. Wenn der Motor aus ist, den Kraftstoffhahn (A, falls vorhanden) zudrehen.

## Wartung

Wir empfehlen, dass Sie sich für alle Wartungsarbeiten am Motor und an Motorteilen an einen Briggs & Stratton-Vertragshändler wenden.

**ANMERKUNG:** Zum ordnungsgemäßen Betrieb müssen alle zum Bau dieses Motors verwendeten Komponenten an ihrem Platz bleiben.



## ACHTUNG:

Bei Wartungsarbeiten, bei denen das Gerät gekippt werden muss, muss der Kraftstofftank leer sein, weil sonst Kraftstoff auslaufen und Feuer oder Explosionen verursachen kann.

## Abgasbegrenzung

**Wartung, Austausch oder Reparatur von Komponenten des Abgassystems bzw. kompletter Systeme können von jeder Reparaturwerkstatt bzw. jedem Mechaniker durchgeführt werden.** Um jedoch kostenlosen Service am Abgassystem zu erhalten, muss die Arbeit von einem vom Werk autorisierten Fachhändler durchgeführt werden. Siehe die Gewährleistung auf das Abgasbegrenzungssystem.



## ACHTUNG



**Funken können Feuer oder Stromschläge verursachen.**



**Ungewollter Start kann schwere Verletzungen verursachen.**



**Feuergefahr**

### Vor Einstellungs- oder Reparaturarbeiten:

- Das Zündkabel abziehen und von der Zündkerze fern halten.
- Die Batterie von der negativen Klemme lösen (nur Motoren mit Elektrostart).
- Die richtigen Werkzeuge verwenden.
- Nicht an Reglerfeder, Gestängen oder anderen Teilen herumbasteln, um die Drehzahl zu erhöhen.
- Ersatzteile müssen die gleiche Konstruktion haben und in derselben Position installiert werden wie die Originalteile. Andere Teile bringen eventuell nicht die gleiche Leistung, können das Gerät beschädigen und Verletzungen verursachen.
- Nicht mit einem Hammer oder anderen harten Gegenstand gegen das Schwungrad schlagen, weil es sonst später während des Betriebs auseinander platzen könnte.

### Bei der Zündfunkenkontrolle:

- Einen geeigneten Zündkerzenprüfer verwenden.
- Nicht bei entfernter Zündkerze kontrollieren, ob ein Zündfunke vorhanden ist.

## Wartungsplan

<b>Nach den ersten 5 Stunden</b>
• Öl wechseln
<b>Alle 8 Stunden oder täglich</b>
• Motorölstand kontrollieren
• Bereich um Schalldämpfer und Bedienungselemente reinigen
<b>Alle 100 Stunden oder jährlich</b>
• Luftfilter reinigen oder austauschen * ▲
• Motoröl und -filter wechseln
• Vorfilter (falls vorhanden) reinigen *
• Zündkerze austauschen
• Schalldämpfer und Funkenfänger überprüfen
<b>Alle 250 Stunden oder jährlich</b>
• Ventilspiel überprüfen. Bei Bedarf nachstellen.
<b>Alle 400 Stunden oder jährlich</b>
• Luftfilter wechseln ▲
• Kraftstofffilter austauschen
• Kühlluftsystem reinigen *
• Ölkühlrippen reinigen *
<b>Alle 600 Stunden oder jährlich</b>
• Den Sicherheitsfilter (falls vorhanden) austauschen

\* Bei hohem Staubaufkommen oder Fremdkörpern in der Luft häufiger reinigen.

▲ Bei jedem dritten Luftfilterwechsel auch den inneren Sicherheitsfilter austauschen (falls das Gerät damit ausgestattet ist).

## Vergaser- und Drehzahleinstellung

Nehmen Sie niemals Einstellungen am Vergaser oder an der Motordrehzahl vor. Der Vergaser wurde ab Werk für effizienten Betrieb unter den meisten Einsatzbedingungen eingestellt. Nehmen Sie keine Veränderungen an Reglerfeder, Gestänge oder anderen Teilen vor, um die Drehzahl zu verstellen. Falls Einstellungen nötig sind, wenden Sie sich bitte an eine Briggs & Stratton-Vertragswerkstatt.

**HINWEIS:** Der Gerätehersteller gibt die Höchstdrehzahl für den am Gerät installierten Motor an. Diese Drehzahl darf **nicht überschritten** werden. Falls Sie nicht sicher sind, wie hoch die maximale Drehzahl für das Gerät ist oder welche Drehzahl ab Werk eingestellt wurde, wenden Sie sich bitte an eine Briggs & Stratton-Vertragswerkstatt. Für sicheren und einwandfreien Betrieb des Geräts darf die Motordrehzahl nur von einem qualifizierten Wartungstechniker eingestellt werden.

## Austausch der Zündkerze - Abb. 5

Den Elektrodenabstand (A, Abb. 5) mit einer Drahtlehre (B) kontrollieren und bei Bedarf nachstellen. Die Zündkerze einsetzen und mit dem empfohlenen Anzugswert festziehen. Zu Einstellung des Elektrodenabstands und Anzugswerten siehe den Abschnitt **Technische Daten**.

**Hinweis:** In einigen Ländern sind Widerstandszündkerzen zur Unterdrückung von Zündsignalen vorgeschrieben. Wenn dieser Motor ursprünglich mit einer Widerstandszündkerze ausgestattet war, muss zum Austausch derselbe Zündkerzentyp verwendet werden.

## Überprüfung von Schalldämpfer und Funkenfänger - Abb. 6



### ACHTUNG



**Laufende Motoren erzeugen Wärme. Motorteile, insbesondere Schalldämpfer, werden extrem heiß.**



**Bei Berührung kann es zu schweren Verbrennungen kommen. Brennbare Fremdkörper wie Laub, Gras usw. können sich entzünden.**

- Schalldämpfer, Zylinder und Kühlrippen abkühlen lassen, bevor sie berührt werden.
- Fremdkörperansammlungen vom Schalldämpfer- und Zylinderbereich entfernen.
- Der Einsatz des Motors auf Wald-, Busch- oder Grasland verstößt gegen das kalifornische Gesetz (public resource code, section 4442), wenn die Auspuffanlage nicht mit einem vorgeschriebenen betriebsfähigen Funkenfänger ausgestattet ist. In anderen Bundesstaaten können ähnliche Gesetze gelten. Einen passenden Funkenfänger für die an diesem Motor installierte Auspuffanlage finden Sie beim Gerätehersteller oder Händler.

Fremdkörperansammlungen vom Schalldämpferbereich und Zylinderbereich entfernen. Den Schalldämpfer (A, Abb. 6) auf Risse, Korrosion oder andere Schäden untersuchen. Den Funkenfänger (B) entfernen (falls vorhanden) und auf Schäden und Ölkohleablagerungen untersuchen. Falls Schäden gefunden werden, müssen vor der Inbetriebnahme entsprechende Ersatzteile installiert werden.



**ACHTUNG:** Ersatzteile müssen die gleiche Konstruktion haben und in derselben Position installiert werden wie die Originalteile. Andere Teile bringen eventuell nicht die gleiche Leistung, können das Gerät beschädigen und Verletzungen verursachen.

## Ölwechsel - Abb. 7

Altöl ist ein gefährliches Abfallprodukt und muss richtig entsorgt werden. Es gehört nicht in den Hausmüll. Informationen zur Entsorgung von Altöl erhalten Sie bei Behörden, Werkstätten oder Fachhändlern.

### Ölablass

1. Bei abgestelltem aber noch warmem Motor das Zündkabel (A) abziehen und von der Zündkerze (Abb. 7) fern halten.
2. Die Ölablassschraube (B) entfernen. Öl in einen geeigneten Behälter ablassen.
3. Nachdem das Öl abgelassen worden ist, die Ölablassschraube einsetzen und festziehen.

### Ölfilterwechsel

Alle Modelle verfügen über einen Ölfilter. Zu Austauschintervallen siehe den **Wartungsplan**.

1. Das Öl aus dem Motor ablassen. Siehe Abschnitt **Ölablass**.
2. Den Ölfilter (C, Abb. 7) entfernen und richtig entsorgen.
3. Vor dem Einbau des neuen Ölfilters die Ölfilterdichtung leicht mit frischem, sauberem Öl schmieren.
4. Den Ölfilter von Hand hineinschrauben, bis der Dichtring den Ölfilteradapter berührt, danach den Ölfilter noch um weitere 1/2 bis 3/4 Drehungen anziehen.
5. Öl nachfüllen. Siehe Abschnitt **Öl nachfüllen**.
6. Motor starten und laufen lassen. Während sich der Motor aufwärmt, überprüfen, ob Ölleckagen vorhanden sind.
7. Den Motor stoppen und den Ölstand kontrollieren. Der Ölstand sollte oben an der Voll-Marke (F) am Peilstab stehen.

## Öl nachfüllen

- Den Motor waagrecht stellen.
  - Den Öleinfüllbereich von Fremdkörpern reinigen.
  - Zum Öffassungsvermögen siehe den Abschnitt **Spezifikationen**.
1. Den Peilstab (D, Abb. 7) herausziehen und mit einem sauberen Lappen abwischen.
  2. Das Öl langsam in die Motoröleinfüllöffnung (E) gießen. **Nicht überfüllen**. Nach dem Einfüllen des Öls eine Minute warten und dann den Ölstand nachkontrollieren.
  3. Den Peilstab wieder einsetzen und festziehen.
  4. Den Peilstab herausziehen und den Ölstand kontrollieren. Der Ölstand sollte oben an der Voll-Marke (F) am Peilstab stehen.
  5. Den Peilstab wieder einsetzen und festziehen.

## Wartung des Luftfilters - Abb. 8 9



### ACHTUNG



**Kraftstoff und Kraftstoffdämpfe sind extrem leicht entflammbar und explosiv.**



**Feuer oder Explosionen können zu schweren Verbrennungen oder Tod führen.**

- Niemals den Motor mit abgenommenem Luftfilter (falls vorhanden) oder Filtereinsatz (falls vorhanden) starten oder laufen lassen.

**ANMERKUNG:** Zur Reinigung des Filters keine Druckluft und keine Lösungsmittel verwenden. Druckluft kann den Filter beschädigen. Lösungsmittel zersetzen ihn.

Das Luftfiltersystem nutzt einen Zyklon-Luftfilter oder einen flachen Luftfilter. Zu Wartungsanforderungen siehe **Wartungsplan**.

### Zyklon-Luftfiltersystem

1. Die Riegel (A) öffnen und den Deckel (B) entfernen. Siehe Abb. 8.
2. Den Luftfilter (C) entfernen.
3. Um Fremdkörper zu lösen, mit dem Luftfilter leicht auf eine harte Oberfläche klopfen. Wenn der Luftfilter sehr schmutzig ist, muss er ausgetauscht werden.
4. Das Zyklon-Luftfiltersystem hat ebenfalls einen Sicherheitsfilter (D) (falls vorhanden). Zu Wartungsanforderungen siehe **Wartungsplan**. Zum Ausbauen Sicherheitsfilter vorsichtig vom Luftfiltergehäuse (E) abziehen und entsorgen. Dabei darauf achten, dass keine Fremdkörper und kein Schmutz in den Motor gelangen.
5. Den neuen Sicherheitsfilter im Luftfiltergehäuse anbringen.
6. Den Luftfilter über dem Sicherheitsfilter anbringen.
7. Den Deckel anbringen und die Riegel schließen.

### System mit flachem Luftfilter

1. Den Knopf (F) und den Deckel (G) entfernen. Siehe Abb. 9.
2. Die Mutter (H) und Halterung (J) entfernen.
3. Den Luftfilter (K) entfernen.
4. Den Vorfilter (L, falls vorhanden) vom Luftfilter entfernen.
5. Um Fremdkörper zu lösen, mit dem Luftfilter leicht auf eine harte Oberfläche klopfen. Wenn der Luftfilter sehr schmutzig ist, muss er ausgetauscht werden.
6. Den Vorfilter in flüssigem Reinigungsmittel und Wasser waschen. Dann gründlich an der Luft trocknen lassen. Den Vorfilter **nicht** ölen.
7. Den trockenen Vorfilter am Luftfilter anbringen.
8. Den neuen Luftfilter anbringen und mit Halterung und Mutter befestigen.
9. Den Deckel anbringen und mit Knopf befestigen.

## Reinigung des Luftkühlungssystems - Abb. 11 12



### ACHTUNG



**Laufende Motoren erzeugen Wärme. Motorteile, insbesondere Schalldämpfer, werden extrem heiß.**



**Bei Berührung kann es zu schweren Verbrennungen kommen.**

**Brennbare Fremdkörper wie Laub, Gras usw. können sich entzünden.**

- Schalldämpfer, Zylinder und Kühlrippen abkühlen lassen, bevor sie berührt werden.
- Fremdkörperansammlungen vom Schalldämpfer- und Zylinderbereich entfernen.

**ANMERKUNG:** Zur Reinigung des Motors kein Wasser verwenden. Wasser könnte die Kraftstoffanlage verunreinigen. Den Motor mit einer Bürste oder einem trockenen Lappen reinigen.

Dieser Motor ist luftgekühlt. Schmutz oder Fremdkörper können die Luftströmung einschränken und Überhitzung des Motors und in der Folge Leistungsverlust und verkürzte Lebensdauer des Motors verursachen.

Fremdkörper mit einer Bürste oder einem trockenen Lappen vom Fingerschutz (A, Abb. 11) beseitigen. Gestänge, Federn und Bedienungselemente (B) sauber halten. Bereich um und hinter dem Schalldämpfer (C) von brennbaren Fremdkörpern frei halten. Sicherstellen, dass die Ölkühlrippen (D) frei von Schmutz und Fremdkörpern sind.

Den Bereich unter der Platte (E, Abb. 12) reinigen. Die beiden Schrauben (F) lösen, bis ein Klickgeräusch hörbar wird. Die Platte entfernen und den Bereich von Schmutz und Fremdkörpern reinigen. Sicherstellen, dass die Unterseite der Platte ebenfalls gereinigt wird. Die Platte anbringen und die Schrauben festziehen, bis ein Klickgeräusch hörbar wird.

## Austausch des Kraftstofffilters - Abb. 10



### ACHTUNG



Kraftstoff und Kraftstoffdämpfe sind extrem leicht entflammbar und explosiv.



Feuer oder Explosionen können zu schweren Verbrennungen oder Tod führen.

- Kraftstoff von Funken, offenen Flammen, Dauerflammen, Wärmequellen und anderen Entzündungsherden fernhalten.
- Kraftstoffleitungen, Tank, Deckel und Anschlüsse regelmäßig auf Sprünge und undichte Stellen untersuchen und bei Bedarf austauschen.
- Vor Reinigung oder Austausch des Kraftstofffilters den Kraftstofftank leerlaufen lassen oder den Kraftstoffhahn schließen.
- Ersatzteile müssen den Originalteilen entsprechen und in derselben Position angebracht werden.
- Wenn Kraftstoff verschüttet wurde, warten, bis sich die Dämpfe verflüchtigt haben, bevor der Motor gestartet wird.

1. Vor Austausch des Kraftstofffilters (A, Abb. 10), falls vorhanden, den Kraftstofftank leerlaufen lassen oder den Kraftstoffhahn schließen. Sonst kann Kraftstoff auslaufen und Feuer oder Explosionen verursachen.
2. Die Laschen (B) an den Klemmen (C) mit einer Zange zusammendrücken und dann die Klemmen vom Kraftstofffilter wegziehen. Die Kraftstoffleitungen (D) drehen und vom Kraftstofffilter abziehen.
3. Überprüfen Sie die Kraftstoffleitungen und Anschlüsse auf Sprünge und Leckagen. Bei Bedarf austauschen.
4. Den Kraftstofffilter mit einem Originalgerät-Austauschfilter austauschen.
5. Die Kraftstoffleitungen wie gezeigt mit den Klemmen sichern.

## Lagerung



### ACHTUNG



Kraftstoff und Kraftstoffdämpfe sind extrem leicht entflammbar und explosiv.



Feuer oder Explosionen können zu schweren Verbrennungen oder Tod führen.

#### Beim Lagern von Kraftstoff oder von Geräten mit Kraftstoff im Tank

- Niemals in der Nähe von Öfen, Herden, Warmwasserbereitern oder ähnlichen Geräten mit Dauerflammen oder anderen Zündquellen abstellen, weil Kraftstoffdämpfe entzündet werden könnten.

#### Kraftstoffanlage

Kraftstoff kann schlecht werden, wenn er länger als 30 Tage gelagert wird. Durch abgestandenen Kraftstoff bilden sich Rückstände in der Kraftstoffanlage oder an wichtigen Vergaserteilen. Um den Kraftstoff frisch zu halten, sollte **Briggs & Stratton Advanced-Formula-Kraftstoffstabilisator** verwendet werden, der überall dort erhältlich ist, wo Original-Ersatzteile von Briggs & Stratton verkauft werden.

Bei Motoren mit FRESH-START®-Tankdeckel sollte **Briggs & Stratton FRESH-START®-Kraftstoffstabilisator** verwendet werden, der als Konzentratpatrone erhältlich ist.

Wenn ein Kraftstoffstabilisator entsprechend den Anweisungen zugegeben wird, braucht das Benzin nicht aus dem Motor abgelassen zu werden. Vor der Lagerung den Motor 2 Minuten lang laufen lassen, um den Stabilisator durch die Kraftstoffanlage zirkulieren zu lassen.

Wenn das Benzin im Motor nicht mit Kraftstoffstabilisator behandelt wurde, muss es in einen zugelassenen Behälter abgelassen werden. Dann den Motor laufen lassen, bis er aus Kraftstoffmangel ausgeht. Es wird empfohlen, einen Kraftstoffstabilisator in den Lagerungsbehälter zu geben, um den Kraftstoff frisch zu halten.

#### Motoröl

Bei noch warmem Motor das Motoröl wechseln.

#### Fehlersuche

Brauchen Sie Hilfe? Gehen Sie zu [VanguardEngines.com](http://VanguardEngines.com) oder rufen Sie **1-800-999-9333** (in den USA) an.

## Technische Daten

Motorspezifikationen	
Modell	540000
Hubraum	54,68 ci (896 cm <sup>3</sup> )
Bohrung	3,366 in (85,5 mm)
Hub	3,071 in (78,0 mm)
Ölmenge	78 - 80 oz (2,3 - 2,4 l)

Motorspezifikationen	
Modell	610000
Hubraum	60,60 ci (993 cm <sup>3</sup> )
Bohrung	3,366 in (85,5 mm)
Hub	3,406 in (86,5 mm)
Ölmenge	78 - 80 oz (2,3 - 2,4 l)

Daten zur Motoreinstellung*	
Modell	540000
Elektrodenabstand	0,030 in (0,76 mm)
Zündkerzen-Anzugswert	180 lb-in (20 Nm)
Anker-Luftspalt	0,005 - 0,008 in (0,13 - 0,20 mm)
Einlassventilspiel	0,004 - 0,006 in (0,10 - 0,15 mm)
Auslassventilspiel	0,004 - 0,006 in (0,10 - 0,15 mm)

Daten zur Motoreinstellung*	
Modell	610000
Elektrodenabstand	0,030 in (0,76 mm)
Zündkerzen-Anzugswert	180 lb-in (20 Nm)
Anker-Luftspalt	0,005 - 0,008 in (0,13 - 0,20 mm)
Einlassventilspiel	0,004 - 0,006 in (0,10 - 0,15 mm)
Auslassventilspiel	0,004 - 0,006 in (0,10 - 0,15 mm)

\* Die Motorleistung nimmt alle 300 m über Meeresniveau um jeweils 3,5 % und alle 5,6° C oberhalb von 25° C um jeweils 1 % ab. Der Motor läuft zufriedenstellend bei einem Winkel bis zu 15°. Zu sicheren Betriebsgrenzen an geneigten Flächen siehe die Bedienungsanleitung des Geräts.

## Übliche Ersatzteile ✓

Ersatzteil	Teilenummer
Luftfilter, Zyklon	841497
Sicherheitsfilter, Zyklon	821136
Luftfilter, flach	692519
Sicherheitsfilter, flach	692520
Öl - SAE 30	100028
Ölfilter	842921

Ersatzteil	Teilenummer
Kraftstofffilter	691035
Kraftstoffzusatzstoff	5041, 5058
Widerstandszündkerze	491055
Long-life-Platinzündkerze	5066
Zündkerzenschlüssel	19374
Funkenprüfer	19368

✓ Wir empfehlen, dass Sie sich für alle Wartungsarbeiten am Motor und an Motorteilen an einen Briggs & Stratton-Vertragshändler wenden.



## EINGESCHRÄNKTE GEWÄHRLEISTUNG

Briggs & Stratton garantiert, während der unten angegebenen Garantiefrist jedes Teil, das Material- oder Verarbeitungsschäden oder beides aufweist, kostenlos zu reparieren oder zu ersetzen. Die Kosten für den Transport von Produkten, die unter dieser Garantie für Reparatur oder Austausch eingeschickt werden, sind vom Käufer zu tragen. Diese Garantie ist für die nachstehend angegebenen Zeiträume gültig und den hier aufgeführten Bedingungen unterworfen. Für Garantiearbeiten können Sie den nächsten Vertragshändler in unserem Händlerverzeichnis unter BRIGGSandSTRATTON.COM finden. Der Käufer muss den Vertragshändler verständigen und ihm dann das Produkt für Inspektion und Tests zur Verfügung stellen.

**Es gibt keine andere ausdrückliche Garantieleistung. Inbegriffene Garantieleistungen, einschließlich solcher für marktgängige Qualität und Eignung für einen bestimmten Zweck, sind auf ein Jahr ab Kaufdatum bzw. auf den gesetzlich zugelassenen Zeitraum beschränkt. Alle anderen inbegriffenen Garantieleistungen sind ausgeschlossen. Haftung für Neben- und Folgeschäden ist unter allen Garantieleistungen ausgeschlossen, soweit ein derartiger Ausschluss vom Gesetz erlaubt ist.** In manchen Ländern sind Einschränkungen hinsichtlich der Dauer einer konkludenten Garantieleistung nicht zulässig, und in manchen Ländern sind Ausschluss oder Einschränkung von Neben- oder Folgeschäden nicht zulässig, weswegen die oben aufgeführten Einschränkungen und Ausschlüsse u. U. in Ihrem Fall nicht zutreffen. Diese Garantieleistung verleiht Ihnen bestimmte Rechte, neben denen Sie noch andere Rechte haben können, die von Land zu Land abweichen \*\*.

## STANDARD-GARANTIEFRISTEN \* ▲

Marke/Produkttyp	Private Nutzung	Gewerbliche Nutzung
Vanguard™ ■	3 Jahre	3 Jahre
Commercial Turf Series™	2 Jahre	2 Jahre
Extended Life Series™; I/C®; Intek™ I/C®; Intek™ Pro;™ Professional Series™ mit Dura-Bore™ -Gusseisenlaufbuchse; 850 Series™ mit Dura-Bore™ -Gusseisenlaufbuchse; Snow Series MAX™ mit Dura-Bore™ -Gusseisenlaufbuchse Alle anderen Briggs & Stratton-Motoren mit Dura-Bore™ -Gusseisenlaufbuchse	2 Jahre	1 Jahr
Alle anderen Briggs & Stratton-Motoren	2 Jahre	90 Tage

\* Dies sind unsere Standard-Garantiefristen, neben denen noch zusätzliche Garantieabdeckungen vorhanden sein können, die während des Veröffentlichungszeitpunkts noch nicht festgelegt worden waren. Eine Auflistung der aktuellen Garantiefristen für unsere Motoren finden Sie unter BRIGGSandSTRATTON.COM oder bei Ihrem Briggs & Stratton-Fachhändler.

\*\* Für Australien: Unsere Produkte enthalten Garantien, die unter dem australischen Verbraucherschutzgesetz nicht ausgeschlossen werden können. Bei größeren Defekten haben Sie das Recht auf Ersatz oder Rückerstattung sowie auf Entschädigung für alle anderen vorhersehbaren Verluste oder Schäden. Auch bei geringeren Defekten haben Sie ein Anrecht auf Reparatur oder Austausch von Produkten, die von unannehmbare Qualität sind. Für Garantiearbeiten können Sie den nächsten Vertragshändler in unserem Händlerverzeichnis unter BRIGGSandSTRATTON.COM finden. Sie können uns auch unter 1300 274 447 anrufen, uns per E-Mail unter salesenquiries@briggsandstratton.com.au erreichen oder an die folgende Adresse schreiben: Briggs & Stratton Australia Pty Ltd, 1 Moorebank Avenue, Moorebank, NSW, Australia, 2170.

▲ Einsatz an privaten Notstrom-Generatoren: nur 2 Jahre Verbrauchergarantie. Keine gewerbliche Garantie. Diese Gewährleistung deckt keine Motoren an Geräten ab, die zur Erzeugung von Energie eingesetzt werden, die die Energie aus dem öffentlichen Stromnetz ersetzen soll. **Motoren, die in Rennwettbewerben oder auf gewerblichen oder Mietrennbahnen eingesetzt werden, haben keine Garantie.**

■ Vanguard an Notstrom-Generatoren: 2 Jahre private Nutzung, keine Garantie für gewerbliche Nutzung. Vanguard an Nutzfahrzeugen: 2 Jahre private Nutzung, 2 Jahre gewerbliche Nutzung. Flüssigkeitsgekühlte Dreizylinder-Vanguard-Motoren: siehe Briggs & Stratton-Garantieschein für 3/LC-Motoren.

Die Garantiefrist beginnt mit dem Datum des Kaufs durch den ersten Einzelverbraucher oder gewerblichen Endverbraucher und hat die in der Tabelle oben angegebene Dauer. "Verbraucheranwendung" bedeutet die private Anwendung im Haushalt eines Verbrauchers. "Gewerblicher Einsatz" bedeutet alle anderen Anwendungen, einschließlich Anwendungen für gewerbliche, gewinnbringende oder Vermietungszwecke. Sobald ein Motor einmal gewerblich eingesetzt worden ist, wird er für die Zwecke dieser Gewährleistung auch weiterhin als Motor für den gewerblichen Einsatz angesehen.

**Die Garantie für Geräte von Briggs & Stratton ist auch ohne Registrierung rechtskräftig. Bewahren Sie Ihren Kaufbeleg gut auf. Wenn Sie bei der Forderung von Garantieleistungen keinen Beleg für das erste Kaufdatum vorlegen können, wird die Garantiezeit anhand des Datums der Herstellung des Geräts bestimmt.**

## Zur Garantie

Briggs & Stratton führt gerne Garantiereparaturen aus und entschuldigt sich für die Ihnen entstandenen Unannehmlichkeiten. Jeder Fachhändler kann Garantiereparaturen durchführen. Die meisten Garantiereparaturen sind Routinearbeiten, jedoch können Garantieanfragen manchmal nicht gerechtfertigt sein. Zur Vermeidung von eventuellen Missverständnissen zwischen Kunden und Händlern sind nachstehend einige der Ursachen für Motordefekte aufgeführt, die von der Garantie nicht abgedeckt werden.

**Normaler Verschleiß:** Wie alle mechanischen Geräte benötigen auch Motoren zum ordnungsgemäßen Betrieb regelmäßige Wartung und Austausch von Teilen. Die Garantie deckt keine Reparaturen ab, die dadurch erforderlich werden, dass ein Teil oder ein Motor durch normalen Einsatz abgenutzt worden ist. Die Garantie trifft auch nicht auf Motorschäden zu, die durch Missbrauch, unterlassene Wartung, Transport, Lagerung oder falsche Montage verursacht werden. Die Garantie ist ebenfalls nichtig, wenn die Seriennummer des Motors entfernt oder der Motor modifiziert worden ist.

**Unzureichende Wartung:** Die Lebensdauer eines Motors ist abhängig von den Bedingungen, unter denen er eingesetzt wird, sowie von der Pflege, die er erhält. Einige Geräte wie Ackerfräsen, Pumpen und Kreiselmäher werden sehr oft in Staub oder Schmutz eingesetzt, wodurch es zu Erscheinungen kommen kann, die wie vorzeitiger Verschleiß aussehen. Derartige Verschleiß, der durch das Eindringen von Schmutz, Staub, Zündkerzen-Reinigungsmittel oder anderen scheuernden Stoffen in den Motor aufgrund von unzureichender Wartung verursacht wurde, wird nicht durch die Garantie abgedeckt.

**Diese Garantie deckt nur Material- und/oder Verarbeitungsschäden am Motor ab, und nicht den Austausch oder die Rückerstattung für das Gerät, an dem der Motor installiert ist. Außerdem gilt die Garantie nicht für Reparaturen, die durch folgendes notwendig geworden sind:**

- 1 Probleme durch Teile, die keine Briggs & Stratton-Originalteile sind.
- 2 Geräteregler oder -vorrichtungen, die Start verhindern, unzureichende Motorleistung verursachen oder die Motorlebensdauer verkürzen. (Wenden Sie sich an den Gerätehersteller.)
- 3 Undichte Vergaser, verstopfte Kraftstoffrohre, blockierende Ventile oder andere Schäden durch Verwendung von verunreinigtem oder altem Kraftstoff.

- 4 Teile, die riefig oder gebrochen sind, weil der Motor mit zu wenig oder verschmutztem Schmieröl oder einer falschen Schmierölsorte gelaufen ist (kontrollieren und bei Bedarf Öl nachfüllen, und die empfohlenen Ölwechselintervalle einhalten.) Das OIL-GARD-System stellt einen laufenden Motor u. U. nicht ab. Bei falschem Ölstand kann es zu Motorschaden kommen.
- 5 Reparatur oder Einstellungen montierter Teile wie Kupplungen, Getriebe, Fernbedienungen usw., die nicht von Briggs & Stratton hergestellt werden.
- 6 Schäden oder Verschleiß an Teilen durch Schmutz, der durch unzureichende Luftfilterwartung, falschen Wiederausbau oder Verwendung von nicht-originalen Luftfilterelementen oder Patronen in den Motor eingedrungen ist. In den in der Bedienungsanleitung angegebenen empfohlenen Intervallen den Filter reinigen und/oder austauschen.
- 7 Teile, die durch Überdrehen oder Überhitzung aufgrund von Gras, Fremdkörpern oder Schmutz, die die Kühlrippen oder den Schwungradbereich verstopfen, beschädigt werden, oder Schäden durch Einsatz des Motors in engen Räumen ohne ausreichende Belüftung. Fremdkörper in den in der Bedienungsanleitung angegebenen empfohlenen Intervallen vom Motor beseitigen.
- 8 Motor- oder Geräteteile, die durch starke Vibrationen durch lose Motormontage, lose Schnittmesser, unausgewuchtete Messer oder lose oder unausgewuchtete Impeller, falsche Montage des Geräts an der Motorkurbelwelle, Überdrehen oder anderen Missbrauch bei Betrieb gebrochen sind.
- 9 Eine verbogene oder gebrochene Kurbelwelle durch Auftreffen eines Kreiselmäher-Schnittmessers auf einen harten Gegenstand oder zu starke Spannung des Keilriemens.
- 10 Routineeinstellungen des Motors.
- 11 Schäden an Motor oder Motorkomponenten, d. h. an Verbrennungskammer, Ventilen, Ventilführungen, oder durchgebrannte Starterwicklungen durch Verwendung von alternativen Kraftstoffen wie Flüssiggas, Erdgas, Benzin mit einem Athanolgehalt von über 10% usw.

**Garantieleistungen sind nur bei Briggs & Stratton-Vertragshändlern erhältlich. Sie finden den nächsten Vertragshändler in unserem Händlerverzeichnis unter BRIGGSandSTRATTON.COM (in den USA).**

## Γενικές πληροφορίες

Το παρόν εγχειρίδιο περιέχει πληροφορίες σχετικά με την ασφάλεια, ούτως ώστε να γνωρίζετε τους κινδύνους που σχετίζονται με τους κινητήρες και πώς μπορείτε να τους αποφύγετε. Περιέχει επίσης οδηγίες για τη σωστή χρήση και φροντίδα του κινητήρα. Η Briggs & Stratton Corporation δεν γνωρίζει απαραίτητα σε ποιο είδος εξοπλισμού πρόκειται να χρησιμοποιηθεί ο παρών κινητήρας και, για τον λόγο αυτό, είναι σημαντικό να διαβάσετε προσεκτικά και να κατανοήσετε τις οδηγίες λειτουργίας του μηχανήματος. **Φυλάξτε τις οδηγίες για μελλοντική χρήση.**

Για ανταλλακτικά ή τεχνική υποστήριξη, σημειώστε παρακάτω το μοντέλο, τον τύπο και τους κωδικούς του κινητήρα καθώς και την ημερομηνία αγοράς. Οι αριθμοί αυτοί βρίσκονται επάνω στον κινητήρα (ανατρέξτε στη σελίδα **Στοιχεία και Μοχλοί**).

Ημερομηνία αγοράς: \_\_\_\_\_  
MM/HH/EEEE

Μοντέλο κινητήρα: \_\_\_\_\_  
Μοντέλο: Τύπος: Κωδικός:

**Ονομαστικές τιμές ισχύος:** Οι γενικές ονομαστικές τιμές ισχύος για μεμονωμένα μοντέλα βενζινοκινητήρων επισμαίνονται σύμφωνα με τις απαιτήσεις του κώδικα J1940 για τη Διαδικασία Καθορισμού Ονομαστικής Ισχύος & Ροπής Στρώσης Μικρών Κινητήρων της SAE (Ένωση Μηχανικών Αυτοκινητοβιομηχανίας) και υπολογίζεται σύμφωνα με τον κώδικα J1995 της SAE. Οι τιμές της ροπής στρώσης προκύπτουν με βάση τις 2600 RPM για τους κινητήρες που φέρουν στην ετικέτα την ένδειξη "rpm", και με βάση τις 3060 RPM για όλους τους υπόλοιπους κινητήρες. Οι τιμές της ιπποδύναμης προκύπτουν με βάση τις 3600 RPM. Για τις καμπύλες της καθαρής ιπποδύναμης του κινητήρα (μετρημένη στον στρόφαλο χωρίς άλλα παρελκόμενα) επισκεφτείτε τη διεύθυνση [www.BRIGGSandSTRATTON.COM](http://www.BRIGGSandSTRATTON.COM). Οι μικτές τιμές ισχύος μετρούνται με τοποθετημένη εξάτμιση και φίλτρο αέρα, ενώ οι καθαρές τιμές λαμβάνονται χωρίς αυτά τα προσαρτήματα. Η πραγματική καθαρή ισχύς του κινητήρα θα είναι υψηλότερη από τη μικτή ισχύ του κινητήρα και επηρεάζεται, μεταξύ άλλων, από τις περιβαλλοντικές συνθήκες λειτουργίας και από τις διαφορές μεταξύ κινητήρων. Δεδομένης της ευρείας γκάμας των προϊόντων στα οποία τοποθετούνται οι κινητήρες, ο βενζινοκινητήρας ενδέχεται να μην αναπτύσσει την ονομαστική τιμή της καθαρής ισχύος όταν χρησιμοποιείται σε έναν συγκεκριμένο εξοπλισμό. Η διαφορά αυτή οφείλεται σε ποικιλία παραγόντων, μεταξύ των οποίων, τα διάφορα δομικά στοιχεία του κινητήρα (φίλτρο αέρα, εξάτμιση, τροφοδότηση, ψύξη, καρμπυρατέρ, αντλία καυσίμου κλπ.), οι περιορισμοί χρήσης, οι περιβαλλοντικές συνθήκες λειτουργίας (θερμοκρασία, υγρασία, υψόμετρο) και οι διαφορές μεταξύ κινητήρων. Λόγω των περιορισμών που επιβάλλονται ως προς την κατασκευή και τη χωρητικότητα, η Briggs & Stratton μπορεί για τη συγκεκριμένη σειρά κινητήρων να χρησιμοποιήσει κινητήρες χαμηλότερης ονομαστικής ισχύος.

## Ασφάλεια Χειριστή

### ΣΥΜΒΟΛΑ ΑΣΦΑΛΕΙΑΣ ΚΑΙ ΕΛΕΓΧΟΥ



Το σύμβολο συναγερμού ασφάλειας χρησιμοποιείται για την αναγνώριση πληροφοριών ασφάλειας σε σχέση με κινδύνους οι οποίοι μπορούν να επιφέρουν προσωπικό τραυματισμό. Το σύμβολο συναγερμού συνοδεύεται από μια ενδεικτική λέξη (ΚΙΝΔΥΝΟΣ, ΠΡΟΕΙΔΟΠΟΙΗΣΗ ή ΠΡΟΣΟΧΗ), δηλωτική της πιθανότητας τραυματισμού και της ενδεχόμενης σοβαρότητας αυτού. Επιπλέον, μπορεί να χρησιμοποιείται και ένα σύμβολο κινδύνου, ενδεικτικό του τύπου κινδύνου.

Η ένδειξη **ΚΙΝΔΥΝΟΣ** δηλώνει κίνδυνο ο οποίος, εάν δεν αποφευχθεί, θα προκαλέσει θάνατο ή σοβαρό τραυματισμό.

Η ένδειξη **ΠΡΟΕΙΔΟΠΟΙΗΣΗ** δηλώνει κίνδυνο ο οποίος, εάν δεν αποφευχθεί, θα μπορούσε να προκαλέσει θάνατο ή σοβαρό τραυματισμό.

Η ένδειξη **ΠΡΟΣΟΧΗ** δηλώνει κίνδυνο ο οποίος, εάν δεν αποφευχθεί, ίσως να προκαλέσει τραυματισμό μικρού ή μεσαίου βαθμού.

Η ένδειξη **Σημείωση** δηλώνει μια κατάσταση η οποία θα μπορούσε να προκαλέσει βλάβη του προϊόντος.

**ΠΡΟΕΙΔΟΠΟΙΗΣΗ**  
Ορισμένα μέρη στο παρόν προϊόν και τα παρελκόμενα αυτού περιέχουν ουσίες που είναι γνωστό στην πολιτεία της Καλιφόρνιας ότι προκαλούν καρκίνο, εκ γενετικής ανωμαλίας ή άλλες επιβλαβείς στο αναπαραγωγικό σύστημα. Πλένετε τα χέρια σας μετά τον χειρισμό.

**ΠΡΟΕΙΔΟΠΟΙΗΣΗ**  
Τα αέρια που εκπέμπει ο παρών κινητήρας περιέχουν χημικές ουσίες οι οποίες, σύμφωνα με έρευνες που πραγματοποιήθηκαν στην Πολιτεία της Καλιφόρνια, προκαλούν καρκίνο, γενετικές ατέλειες, ή άλλες γενετικές βλάβες.

**ΠΡΟΕΙΔΟΠΟΙΗΣΗ**  
Οι κινητήρες Briggs & Stratton δεν είναι σχεδιασμένοι και δεν πρέπει να χρησιμοποιούνται για μετάδοση ισχύος σε: μικρά οχήματα διασκέδασης, οχήματα τύπου καρτ (go-kart), παιδικά, αναψυχής ή παντός εδάφους (ATV) οχήματα, μοτοποδήλατα, οχήματα κινούμενα πάνω σε στρώμα αέρος (χόβερκραφτ), προϊόντα αεροσκαφών ή οχήματα που χρησιμοποιούνται σε αγωνιστικές εκδηλώσεις που δεν έχουν την έγκριση της Briggs & Stratton. Για πληροφορίες σχετικά με αγωνιστικά προϊόντα, βλ. τον ιστότοπο [www.briggsracing.com](http://www.briggsracing.com). Για χρήση με οχήματα ATV τύπου εργασίας/ ψυχαγωγίας (utility) και οχήματα ATV διθέσια (side by side), απευθυνθείτε στο Κέντρο εφαρμογών κινητήρων (Engine Application Center) της Briggs & Stratton, τηλ. 1-866-927-3349. Η ακατάλληλη εφαρμογή κινητήρα μπορεί να έχει ως αποτέλεσμα σοβαρό τραυματισμό ή θάνατο.

**Σημείωση:** Ο κινητήρας αποστέλλεται από την Briggs & Stratton χωρίς λάδι. Προτού εκκινήσετε τον κινητήρα, βεβαιωθείτε ότι έχετε προσθέσει λάδι σύμφωνα με τις οδηγίες που παρέχονται στο εγχειρίδιο. Εάν θέσετε τον κινητήρα σε λειτουργία χωρίς λάδι, θα υποστεί ανεπανόρθωτη βλάβη η οποία δεν καλύπτεται από την εγγύηση.



## ΠΡΟΕΙΔΟΠΟΙΗΣΗ



Το καύσιμο και οι αναθυμιάσεις του συνιστούν εξαιρετικά εύφλεκτες και εκρηκτικές ουσίες.



Ενδεχόμενη φωτιά ή έκρηξη μπορούν να προκαλέσουν σοβαρά εγκαύματα ή θάνατο.

### Κατά την προσθήκη καυσίμου

- Σβήστε τον κινητήρα και αφήστε τον να κρυώσει για τουλάχιστον 2 λεπτά προτού να αφαιρέσετε το πώμα του δοχείου καυσίμου.
- Γεμίστε το ντεπόζιτο καυσίμου σε εξωτερικό ή καλά αεριζόμενο χώρο.
- Μην υπερπληρώνετε το ντεπόζιτο καυσίμου. Μην υπερβαίνετε το κάτω μέρος του στομίου πλήρωσης, ώστε να μην παρεμποδίζεται η διαστολή του καυσίμου.
- Φροντίστε το καύσιμο να μην έρχεται σε επαφή με σπινθήρες, γυμνές φλόγες, ενδεικτικές λυχνίες, θερμότητα, και άλλες πηγές ανάφλεξης.
- Ελέγχετε συχνά τις σωληνώσεις καυσίμου, το ντεπόζιτο καυσίμου, το πώμα και τα εξαρτήματα για ρωγμές ή διαρροές. Προβείτε σε αντικαταστάσεις εάν είναι απαραίτητο.
- Εάν χυθεί καύσιμο, περιμένετε έως ότου εξατμιστεί προτού να προβείτε σε εκκίνηση του κινητήρα.

### Κατά την εκκίνηση του κινητήρα

- Βεβαιωθείτε ότι το μπουζί, η εξάτμιση, το πώμα του ντεπόζιτο καυσίμου και το φίλτρο αέρα (εάν υπάρχουν) βρίσκονται στη θέση τους και ότι έχουν στερεωθεί καλά.
- Μην προσπαθείτε να εκκινήσετε τον κινητήρα με βγαλμένο το μπουζί.
- Εάν ο κινητήρας μπουκώσει, θέστε το τσοκ (εάν υπάρχει) στη θέση OPEN/RUN, μετακινήστε τον μοχλό του γκαζιού (εάν υπάρχει) στη θέση FAST και τραβήξτε το σχοινί εκκίνησης επανειλημμένα έως ότου ο κινητήρας τεθεί σε λειτουργία.

### Κατά τον χειρισμό του εξοπλισμού

- Μην δίνετε στον κινητήρα ή στον εξοπλισμό κλίση σε γωνία που προκαλεί έκχυση του καυσίμου.
- Μην κλείνετε τον αέρα στο καρμπυρατέρ για να σταματήσετε τον κινητήρα.
- Ποτέ μην θέτετε σε λειτουργία και μην χειρίζεστε τον κινητήρα όταν έχει αφαιρεθεί το συγκρότημα του φίλτρου αέρα (εάν υπάρχει) ή το ίδιο το φίλτρο αέρα (εάν υπάρχει).

### Κατά την αλλαγή λαδιού

- Εάν αδειάζετε το λάδι από τον επάνω σωλήνα πλήρωσης λαδιού, το δοχείο πρέπει να είναι άδειο, διαφορετικά υπάρχει κίνδυνος διαρροής καυσίμου και πρόκλησης πυρκαγιάς ή έκρηξης.

### Κατά την ανατροπή της μονάδας για εργασίες συντήρησης

- Εάν απαιτείται ανατροπή της μονάδας για λόγους συντήρησης, το δοχείο καυσίμου πρέπει να είναι άδειο, διαφορετικά υπάρχει κίνδυνος διαρροής καυσίμου και πρόκλησης πυρκαγιάς ή έκρηξης.

### Κατά τη μεταφορά του εξοπλισμού

- Μεταφέρετε τον εξοπλισμό με το ντεπόζιτο καυσίμου ΑΔΕΙΟ ή με τη βαλβίδα παροχής καυσίμου κλειστή (θέση OFF).

### Για την αποθήκευση καυσίμου ή εξοπλισμού με καύσιμο στο δοχείο

- Αποθηκεύστε μακριά από φούρνους, θερμάστρες, θερμοσίφωνες ή άλλες συσκευές που χρησιμοποιούν ενδεικτική λυχνία ή άλλες ενδεχόμενες πηγές ανάφλεξης των αναθυμιάσεων καυσίμων.



## ΠΡΟΕΙΔΟΠΟΙΗΣΗ



Η εκκίνηση του κινητήρα προκαλεί σπινθηρισμούς.



Οι σπινθηρισμοί μπορούν να προκαλέσουν ανάφλεξη παρακείμενων εύφλεκτων αερίων.

Θα μπορούσαν να προκληθούν έκρηξη και φωτιά.

- Εάν στην περιοχή υπάρχει διαρροή φυσικού αερίου ή υγραερίου, μην θέτετε σε λειτουργία τον κινητήρα.
- Μην χρησιμοποιείτε ρευστά εκκίνησης υπό πίεση. Οι αναθυμιάσεις είναι εύφλεκτες.



## ΠΡΟΕΙΔΟΠΟΙΗΣΗ



**ΚΙΝΔΥΝΟΣ ΔΗΛΗΤΗΡΙΩΔΟΥΣ ΑΕΡΙΟΥ.** Τα αέρια που εκπέμπει ο κινητήρας περιέχουν μονοξείδιο του άνθρακα, ένα δηλητηριώδες αέριο το οποίο μπορεί να επιφέρει τον θάνατο μέσα σε λίγα λεπτά. Είναι ΑΟΡΑΤΟ, ΑΟΣΜΟ και ΑΓΕΥΣΤΟ. Το γεγονός ότι δεν μυρίζετε τα καυσαέρια δεν αποκλείει το ενδεχόμενο έκθεσής σας σε μονοξείδιο του άνθρακα. Σε περίπτωση που αισθανθείτε αδιαθεσία, ζαλάδα ή αδυναμία κατά τη χρήση του προϊόντος, σβήστε τον κινητήρα και μεταφερθείτε ΑΜΕΣΩΣ σε χώρο με καθαρό αέρα. Συμβουλευτείτε ιατρό. Ενδέχεται να έχετε δηλητηριαστεί από μονοξείδιο του άνθρακα.

- Χρησιμοποιείτε τη συσκευή ΜΟΝΟ σε εξωτερικούς χώρους, μακριά από παράθυρα, πόρτες και αεραγωγούς προκειμένου να μειώσετε τον κίνδυνο συσσώρευσης και ενδεχόμενης διέλευσης του μονοξειδίου του άνθρακα σε χώρους όπου βρίσκονται άνθρωποι.
- Εγκαταστήστε ανιχνευτές μονοξειδίου του άνθρακα που λειτουργούν με μπαταρία ή βυσματούμενους ανιχνευτές μονοξειδίου του άνθρακα (με εφεδρική μπαταρία) σύμφωνα με τις οδηγίες του κατασκευαστή. Οι ανιχνευτές καπνού δεν μπορούν να ανιχνεύσουν αέριο μονοξειδίου του άνθρακα.
- ΜΗΝ θέτετε σε λειτουργία τη συσκευή μέσα σε σπία, γκαράζ, υπόγεια, αγωγούς, υπόστεγα, ή σε άλλους μερικώς κλειστούς χώρους, ακόμη και αν χρησιμοποιείτε ανεμιστήρες ή έχετε ανοιχτές πόρτες και παράθυρα για εξαερισμό. Το μονοξείδιο του άνθρακα μπορεί να συσσωρευτεί γρήγορα στους χώρους αυτούς και να παραμείνει για ώρες, ακόμα και μετά το τη διακοπή της λειτουργίας της συσκευής.
- Τοποθετείτε ΠΑΝΤΑ τη συσκευή κατά την κατεύθυνση του ανέμου και με την εξάτμιση του κινητήρα στραμμένη μακριά από χώρους όπου βρίσκονται άνθρωποι.



## ΠΡΟΕΙΔΟΠΟΙΗΣΗ



Η ταχεία επανατύλιξη του σχοινιού εκκίνησης (κλώτσημα) θα τραβήξει το χέρι και τον βραχίονά σας προς τον κινητήρα πριν προλάβετε να αφήσετε το σχοινί.

Ενδέχεται να υποστείτε κατάγματα, συντριπτικά κατάγματα, μώλωπες ή διαστρέμματα.

- Κατά την εκκίνηση του κινητήρα, τραβήξτε το σχοινί εκκίνησης αργά έως ότου αισθανθείτε αντίσταση και, στη συνέχεια, τραβήξτε απότομα για να αποφύγετε τυχόν κλώτσημα.
- Πριν να εκκινήσετε τον κινητήρα, αφαιρέστε όλα τα εξωτερικά φορτία του εξοπλισμού/κινητήρα.
- Εξαρτήματα άμεσης ζεύξης όπως, μεταξύ άλλων, λεπίδες, πτερωτές, τροχαλίες, αλυσοτροχοί, κλπ., πρέπει να ασφαλιζονται.



## ΠΡΟΕΙΔΟΠΟΙΗΣΗ



Τα περιστρεφόμενα εξαρτήματα μπορούν να αγγίξουν ή να μαγκώσουν χέρια, πόδια, μαλλιά, ρούχα ή αξεσουάρ.

Ενδέχεται να προκληθεί ακρωτηριασμός ή σοβαρός μορφής καταταμαχισμός.

- Όταν χειρίζεστε τον εξοπλισμό φροντίστε ώστε οι προφυλακτικές να βρίσκονται εγκαταστημένοι στη θέση τους.
- Κρατάτε τα χέρια και τα πόδια σας μακριά από τα περιστρεφόμενα εξαρτήματα.
- Μαζέψτε τα μαλλιά σας, εάν είναι μακριά, και αφαιρέστε τυχόν κοσμήματα.
- Μην φοράτε ρούχα που εφαρμόζουν χαλαρά επάνω σας, κορδόνια που κρέμονται ή είδη που θα μπορούσαν να πιαστούν στα περιστρεφόμενα εξαρτήματα του κινητήρα.



## ΠΡΟΕΙΔΟΠΟΙΗΣΗ



Η λειτουργία των κινητήρων παράγει θερμότητα. Τα εξαρτήματα του κινητήρα, και ιδιαίτερα η εξάτμιση, λαμβάνουν εξαιρετικά υψηλές θερμοκρασίες.



Τυχόν επαφή μπορεί να προκαλέσει σοβαρά εγκαύματα.

Υπολείμματα καυσίμων υλών, όπως φύλλα, γρασίδι, φύλλα θάμνων, κλπ. μπορούν να πιάσουν φωτιά.

- Μην αγγίζετε την εξάτμιση, τον κύλινδρο του κινητήρα και τα πτερύγια όσο είναι ακόμη θερμά.
- Απομακρύνετε τα συσσωρευμένα υπολείμματα από την περιοχή της εξάτμισης και του κυλίνδρου.
- Η χρήση ή η λειτουργία του κινητήρα σε δασώδη, χλωώδη ή θαμνώδη άγρια περιοχή συνιστά παράβαση του Τμήματος 4442 του Κώδικα περί Φυσικών Πόρων της Καλιφόρνιας, εκτός εάν το σύστημα εξάτμισης διαθέτει σήτα απορρόφησης σπινθήρων που διατηρείται σε καλή λειτουργική κατάσταση, όπως ορίζεται στο Τμήμα 4442. Παρόμοιες νομοθεσίες μπορεί να ισχύουν και σε άλλες πολιτειακές ή ομοσπονδιακές δικαιοδοσίες. Για να αποκτήσετε σήτα απορρόφησης σπινθήρων σχεδιασμένη για το σύστημα εξάτμισης που είναι εγκατεστημένο στον παρόντα κινητήρα επικοινωνήστε με τον κατασκευαστή, το κατάστημα πώλησης ή τον αντιπρόσωπο του αρχικού εξοπλισμού.



## ΠΡΟΕΙΔΟΠΟΙΗΣΗ



Τυχόν ακούσιοι σπινθηρισμοί μπορούν να προκαλέσουν φωτιά ή ηλεκτροπληξία.



Τυχόν ακούσια εκκίνηση μπορεί να προκαλέσει εμπλοκή μέλους στον κινητήρα, ακρωτηριασμό, ή τεμαχισμό.



Κίνδυνος πυρκαγιάς



**Πριν από την εκτέλεση ρυθμίσεων ή επισκευών**

- Αποσυνδέστε το καλώδιο του μπουζί και κρατήστε το μακριά από το μπουζί.
- Αποσυνδέστε τον αρνητικό πόλο της μπαταρίας (μόνο για μηχανές με ηλεκτρική εκκίνηση).
- Χρησιμοποιείτε αποκλειστικά και μόνο τα κατάλληλα εργαλεία.
- Μην επεμβαίνετε στα ελατήρια του ρυθμιστή ταχύτητας, τους μηχανισμούς ή τα άλλα εξαρτήματα για να αυξήσετε την ταχύτητα του κινητήρα.
- Τα ανταλλακτικά πρέπει να είναι ίδια με τα γνήσια εξαρτήματα και να τοποθετούνται στη θέση αυτών. Εάν τα εξαρτήματα διαφέρουν, ενδέχεται να μην αποδίδουν εξίσου καλά, να προκαλούν βλάβες στη μονάδα, ακόμη και τραυματισμό.
- Μην χτυπάτε το σφόνδυλο με σφυρί ή άλλο σκληρό αντικείμενο, διότι υπάρχει κίνδυνος να σπάσει κατά τη λειτουργία.

**Κατά τον έλεγχο για σπινθήρα:**

- Χρησιμοποιείτε εγκεκριμένη διάταξη δοκιμής μπουζί.
- Μην ελέγχετε για σπινθήρα ενώ έχετε αφαιρέσει το μπουζί.

# Στοιχεία και Μοχλοί

Για να εξοικειωθείτε με τη θέση των διαφόρων στοιχείων και μοχλών, συγκρίνετε την εικόνα **1** με τον κινητήρα σας.

- A. Στοιχεία κινητήρα  
**Μοντέλο Τύπος Κωδικός**
- B. Μπουζί
- C. Φίλτρο αέρα, κυκλωνικό
- D. Φίλτρο αέρα, μικρού μεγέθους
- E. Δείκτης στάθμης λαδιού
- F. Πώμα πλήρωσης λαδιού
- G. Φίλτρο λαδιού
- H. Πώμα αδειάματος λαδιού
- I. Αισθητήρας πίεσης λαδιού
- J. Προστατευτικό δακτύλων
- K. Ηλεκτρικός εκκινητής
- L. Ηλεκτρομαγνητική βαλβίδα εκκινητή
- M. Ρυθμιστής/Ανορθωτής
- N. Καρμπουρατέρ
- O. Ψυγείο λαδιού (προαιρετικό)
- P. Εξάτμιση (προαιρετικό)
- Q. Αντλία καυσίμου
- R. Διακόπτης εκκίνησης \*
- S. Μοχλός γκαζιού \*
- T. Μοχλός τσοκ \*
- U. Φίλτρο καυσίμου (προαιρετικό)

\* Ορισμένοι κινητήρες και εξοπλισμοί διαθέτουν τηλεχειρισμό. Για τη θέση και τη λειτουργία του τηλεχειρισμού ανατρέξτε στο εγχειρίδιο του εξοπλισμού.

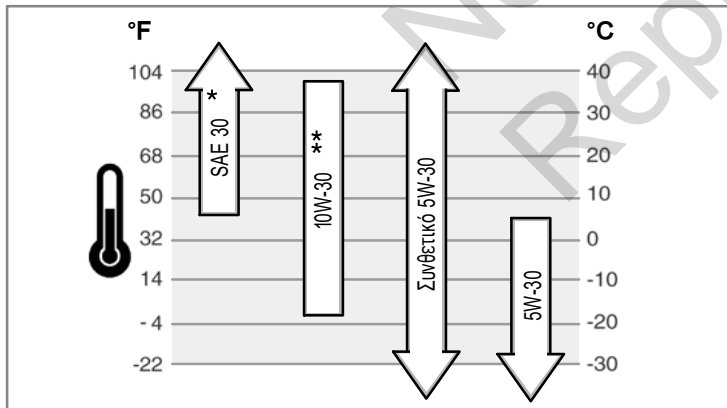
## Λειτουργία

Χωρητικότητα λαδιού (ανατρέξτε στην ενότητα **Προδιαγραφές**)

### Συστάσεις για το λάδι

Για βέλτιστη απόδοση συνιστάται η χρήση πιστοποιημένων, βάσει εγγύησης, λαδιών της Briggs & Stratton. Επιτρέπεται επίσης η χρήση άλλων λαδιών υψηλής ποιότητας με κατάταξη για συντήρηση SF, SG, SH, SJ ή υψηλότερη. Μην χρησιμοποιείτε ειδικά προσθετικά.

Το σωστό ιξώδες του λαδιού για τον κινητήρα εξαρτάται από την εξωτερική θερμοκρασία. Για να επιλέξετε το σωστό ιξώδες χρησιμοποιήστε το διάγραμμα που προβλεπόμενου εύρους θερμοκρασιών.



\* Η χρήση λαδιού SAE 30 σε θερμοκρασίες κάτω των 40°F (4°C) θα έχει ως αποτέλεσμα τη δύσκολη εκκίνηση του κινητήρα.

\*\* Η χρήση λαδιού 10W-30 σε θερμοκρασίες άνω των 80°F (27°C) θα έχει ως αποτέλεσμα την αυξημένη κατανάλωση λαδιού. Ελέγχετε συχνότερα τη στάθμη του λαδιού.

### Έλεγχος/Προσθήκη λαδιού - Εικόνα 2

Πριν από την προσθήκη ή τον έλεγχο του λαδιού

- Φέρτε τον κινητήρα σε οριζόντια θέση.
  - Καθαρίστε την περιοχή γύρω από το πώμα πλήρωσης λαδιού από τυχόν υπολείμματα.
1. Αφαιρέστε τον δείκτη στάθμης λαδιού (A) και σκουπίστε τον με καθαρό πανί (Εικόνα 2).
  2. Τοποθετήστε και σφίξτε τον δείκτη στάθμης λαδιού.

el

3. Αφαιρέστε τον δείκτη στάθμης λαδιού και ελέγξτε τη στάθμη του λαδιού. Βεβαιωθείτε ότι φτάνει μέχρι το πάνω μέρος της ένδειξης (B) του δείκτη.
4. Εάν η στάθμη βρίσκεται χαμηλότερα, προσθέστε αργά λάδι στην οπή πλήρωσης (C). **Μην υπερπληρώνετε.** Μετά από την προσθήκη λαδιού, περιμένετε ένα λεπτό και στη συνέχεια ελέγξτε εκ νέου τη στάθμη λαδιού.
5. Επανατοποθετήστε και σφίξτε τον δείκτη στάθμης λαδιού.

### Σύστημα προστασίας από χαμηλή στάθμη λαδιού (εφόσον υπάρχει)

Ορισμένοι κινητήρες είναι εξοπλισμένοι με αισθητήρα χαμηλής στάθμης λαδιού. Εάν η στάθμη του λαδιού είναι χαμηλή, ο αισθητήρας ενεργοποιεί ένα προειδοποιητικό λαμπάκι ή σταματά τη λειτουργία τον κινητήρα. Διακόψτε τη λειτουργία του κινητήρα και ακολουθήστε τα παρακάτω βήματα πριν τον θέσετε εκ νέου σε λειτουργία.

- Βεβαιωθείτε ότι ο κινητήρας βρίσκεται σε οριζόντια θέση.
- Ελέγξτε τη στάθμη του λαδιού. Ανατρέξτε στην ενότητα **Έλεγχος/Προσθήκη λαδιού**.
- Εάν η στάθμη λαδιού είναι χαμηλή, προσθέστε την κατάλληλη ποσότητα λαδιού. Θέστε τον κινητήρα σε λειτουργία και βεβαιωθείτε ότι το προειδοποιητικό λαμπάκι (εφόσον υπάρχει) δεν είναι αναμμένο.
- Εάν η στάθμη του λαδιού δεν είναι χαμηλή, **μην θέτετε** σε λειτουργία τον κινητήρα. Για την αποκατάσταση του προβλήματος με τη στάθμη του λαδιού επικοινωνήστε με εξουσιοδοτημένο αντιπρόσωπο της Briggs & Stratton.

### Συστάσεις για το καύσιμο

Το καύσιμο πρέπει να πληροί τις ακόλουθες απαιτήσεις:

- Καθαρή, φρέσκια, αμόλυβδη βενζίνη.
- Αριθμός οκτανίων τουλάχιστον 87/87 AKI (91 RON). Για λειτουργία σε μεγάλο υψόμετρο, βλέπε παρακάτω.
- Βενζίνη με έως 10% αιθανόλη (βενζινόλη) είναι αποδεκτή.

**ΠΡΟΣΟΧΗ:** Μην χρησιμοποιείτε μη εγκεκριμένη βενζίνη όπως η E15 και η E85. Μην αναμιγνύετε λάδι με βενζίνη και μην τροποποιείτε τον κινητήρα προκειμένου να λειτουργήσει με άλλα καύσιμα. Η χρήση μη εγκεκριμένων καυσίμων προκαλεί βλάβη στα εξαρτήματα του κινητήρα και η **εγγύηση καθίσταται άκυρη**.

Για να προστατέψετε το σύστημα τροφοδοσίας καυσίμου από τον σχηματισμό υπολειμμάτων καυσίμου, αναμίξτε σταθεροποιητικό καυσίμου στο καύσιμο. Βλ. **Αποθήκευση**. Όλα τα καύσιμα δεν είναι ίδια. Εάν διαπιστώσετε προβλήματα στην εκκίνηση ή την απόδοση του κινητήρα, αλλάξτε προμηθευτές ή αλλάξτε μάρκα καυσίμου. Ο παρών κινητήρας έχει πιστοποιηθεί για λειτουργία με βενζίνη. Το σύστημα ελέγχου εκπομπών καυσαερίων για τον συγκεκριμένο κινητήρα είναι EM (Τροποποιήσεις Κινητήρα).

### Μεγάλο υψόμετρο

Σε υψόμετρα άνω των 1524 μέτρων (5.000 πόδια), είναι αποδεκτή βενζίνη τουλάχιστον 85 οκτανίων/85 AKI (89 RON). Για να εξακολουθήσει ο κινητήρας να φέρει πιστοποίηση για τις εκπομπές καυσαερίων, απαιτείται ανάλογη ρύθμιση για μεγάλο υψόμετρο. Η λειτουργία χωρίς την πραγματοποίηση της εν λόγω ρύθμισης θα προκαλέσει μειωμένη απόδοση, αυξημένη κατανάλωση καυσίμου και αυξημένη εκπομπή καυσαερίων. Για περισσότερες πληροφορίες σχετικά με τη ρύθμιση για μεγάλο υψόμετρο συμβουλευθείτε έναν εξουσιοδοτημένο αντιπρόσωπο της Briggs & Stratton.

Δεν ενδείκνυται η λειτουργία του κινητήρα σε υψόμετρα μικρότερα από 762 μέτρα (2.500 πόδια) με το κιτ για μεγάλα υψόμετρα.

### Προσθήκη καυσίμου - Εικόνα 3



#### ΠΡΟΕΙΔΟΠΟΙΗΣΗ



Το καύσιμο και οι αναθυμιάσεις του συνιστούν εξαιρετικά εύφλεκτες και εκρηκτικές ουσίες.

Ενδεχόμενη φωτιά ή έκρηξη μπορούν να προκαλέσουν σοβαρά εγκαύματα ή θάνατο.



#### Κατά την προσθήκη καυσίμου

- Σβήστε τον κινητήρα και αφήστε τον να κρυώσει για τουλάχιστον 2 λεπτά προτού να αφαιρέσετε το πώμα του δοχείου καυσίμου.
- Γεμίστε το ντεπόζιτο καυσίμου σε εξωτερικό ή καλά αεριζόμενο χώρο.
- Μην υπερπληρώνετε το ντεπόζιτο καυσίμου. Μην υπερβαίνετε το κάτω μέρος του στομίου πλήρωσης, ώστε να μην παρεμποδίζεται η διαστολή του καυσίμου.
- Φροντίστε το καύσιμο να μην έρχεται σε επαφή με σπινθήρες, γυμνές φλόγες, ενδεικτικές λυχνίες, θερμότητα, και άλλες πηγές ανάφλεξης.
- Ελέγχετε συχνά τις σωληνώσεις καυσίμου, το ντεπόζιτο καυσίμου, το πώμα και τα εξαρτήματα για ρωγμές ή διαρροές. Προβείτε σε αντικαταστάσεις εάν είναι απαραίτητο.
- Εάν χυθεί καύσιμο, περιμένετε έως ότου εξατμιστεί προτού να προβείτε σε εκκίνηση του κινητήρα.

1. Απομακρύνετε ακαθαρσίες και υπολείμματα από την περιοχή γύρω από το πώμα του ντεπόζιτου καυσίμου. Αφαιρέστε το πώμα του ντεπόζιτου καυσίμου (A) (Εικόνα 3).
2. Γεμίστε το ντεπόζιτο (B) με βενζίνη. Μην υπερβαίνετε το κάτω μέρος του στομίου πλήρωσης, ώστε να μην παρεμποδίζεται η διαστολή του καυσίμου (C).
3. Επανατοποθετήστε το πώμα του ντεπόζιτου καυσίμου.



**ΠΡΟΕΙΔΟΠΟΙΗΣΗ**



Το καύσιμο και οι αναθυμιάσεις του συνιστούν εξαιρετικά εύφλεκτες και εκρηκτικές ουσίες.

Ενδεχόμενη φωτιά ή έκρηξη μπορούν να προκαλέσουν σοβαρά εγκαύματα ή θάνατο.

**Κατά την εκκίνηση του κινητήρα**

- Βεβαιωθείτε ότι το μπουζί, η εξάτμιση, το πώμα του ντεπόζιτου καυσίμου και το φίλτρο αέρα (εάν υπάρχουν) βρίσκονται στη θέση τους και ότι έχουν στερεωθεί καλά.
- Μην προσπαθείτε να εκκινήσετε τον κινητήρα με βγαλμένο το μπουζί.
- Εάν ο κινητήρας μπουκώσει, θέστε το τσοκ (εάν υπάρχει) στη θέση OPEN/RUN, μετακινήστε τον μοχλό του γκαζιού (εάν υπάρχει) στη θέση FAST και τραβήξτε το σχοινί εκκίνησης επανειλημμένα έως ότου ο κινητήρας τεθεί σε λειτουργία.



**ΠΡΟΕΙΔΟΠΟΙΗΣΗ**



**ΚΙΝΔΥΝΟΣ ΔΗΛΗΤΗΡΙΩΔΟΥΣ ΑΕΡΙΟΥ.** Τα αέρια που εκπέμπει ο κινητήρας περιέχουν μονοξείδιο του άνθρακα, ένα δηλητηριώδες αέριο το οποίο μπορεί να επιφέρει τον θάνατο μέσα σε λίγα λεπτά. Είναι ΑΟΡΑΤΟ, ΑΟΣΜΟ και ΑΓΕΥΣΤΟ. Το γεγονός ότι δεν μυρίζετε τα καυσαέρια δεν αποκλείει το ενδεχόμενο έκθεσής σας σε μονοξείδιο του άνθρακα. Σε περίπτωση που αισθανθείτε αδιαθεσία, ζαλάδα ή αδυναμία κατά τη χρήση του προϊόντος, σβήστε τον κινητήρα και μεταφερθείτε ΑΜΕΣΩΣ σε χώρο με καθαρό αέρα. Συμβουλευτείτε ιατρό. Ενδέχεται να έχετε δηλητηριαστεί από μονοξείδιο του άνθρακα.

- Χρησιμοποιείτε τη συσκευή ΜΟΝΟ σε εξωτερικούς χώρους, μακριά από παράθυρα, πόρτες και αεραγωγούς προκειμένου να μειώσετε τον κίνδυνο συσσώρευσης και ενδεχόμενης διέλευσης του μονοξειδίου του άνθρακα σε χώρους όπου βρίσκονται άνθρωποι.
- Εγκαταστήστε ανιχνευτές μονοξειδίου του άνθρακα που λειτουργούν με μπαταρία ή βυσματούμενος ανιχνευτής μονοξειδίου του άνθρακα (με εφεδρική μπαταρία) σύμφωνα με τις οδηγίες του κατασκευαστή. Οι ανιχνευτές καπνού δεν μπορούν να ανιχνεύσουν αέριο μονοξείδιο του άνθρακα.
- ΜΗΝ θέτετε σε λειτουργία τη συσκευή μέσα σε σπίτια, γκαράζ, υπόγειο, αγωγούς, υπόστεγα, ή σε άλλους μερικούς κλειστούς χώρους, ακόμη και αν χρησιμοποιείτε ανεμιστήρες ή έχετε ανοιχτές πόρτες και παράθυρα για εξαερισμό. Το μονοξείδιο του άνθρακα μπορεί να συσσωρευτεί γρήγορα στους χώρους αυτούς και να παραμείνει για ώρες, ακόμα και μετά το τη διακοπή της λειτουργίας της συσκευής.
- Τοποθετείτε ΠΑΝΤΑ τη συσκευή κατά την κατεύθυνση του ανέμου και με την εξάτμιση του κινητήρα στραμμένη μακριά από χώρους όπου βρίσκονται άνθρωποι.

**Σημείωση:** Ο κινητήρας αποστέλλεται από την Briggs & Stratton χωρίς λάδι. Προτού εκκινήσετε τον κινητήρα, βεβαιωθείτε ότι έχετε προσθέσει λάδι σύμφωνα με τις οδηγίες που παρέχονται στο εγχειρίδιο. Εάν θέσετε τον κινητήρα σε λειτουργία χωρίς λάδι, θα υποστεί ανεπανόρθωτη βλάβη η οποία δεν καλύπτεται από την εγγύηση.

**Σημείωση:** Ορισμένοι κινητήρες και εξοπλισμοί διαθέτουν τηλεχειρισμό. Για τη θέση και τη λειτουργία του τηλεχειρισμού ανατρέξτε στο εγχειρίδιο του εξοπλισμού.

1. Ελέγξτε τη στάθμη του λαδιού. Ανατρέξτε στην ενότητα **Έλεγχος/Προσθήκη λαδιού**.
2. Βεβαιωθείτε ότι όλοι οι μοχλοί του συστήματος μετάδοσης κίνησης του μηχανήματος, εάν υπάρχουν, είναι απασφαλισμένοι.
3. Στρέψτε τη βαλβίδα της παροχής καυσίμου (A), εάν υπάρχει, στη θέση on (Εικόνα 4).
4. Μετακινήστε το μοχλό του γκαζιού (B) στη θέση fast . Θέστε τον κινητήρα σε λειτουργία με το μοχλό γκαζιού στη θέση fast .
5. Τραβήξτε το μοχλό του τσοκ (C), εάν υπάρχει, στη θέση choke. **Σημείωση:** Για να θέσετε ξανά σε λειτουργία τον κινητήρα η δεξαμενή του οποίου ήταν άδεια λόγω εξάντλησης του καυσίμου (π.χ. πρώτη εκκίνηση ή εκκίνηση μετά από εξάντληση του καυσίμου), ο μοχλός εκκίνησης θα χρειαστεί να παραμείνει περισσότερο χρόνο στη θέση choke , έως ότου η αντλία καυσίμου να διοχετεύσει καύσιμο σε όλο το σύστημα καυσίμου.
6. Θέστε το διακόπτη λειτουργίας (D), εάν υπάρχει, στη θέση on.
7. Στρέψτε τον διακόπτη ηλεκτρικής εκκίνησης (E) στη θέση on/start (Εικόνα 4).
8. Εάν ο κινητήρας τεθεί σε λειτουργία αλλά μετά σταματήσει, φέρτε τον μοχλό τσοκ (C) στη θέση run για να ξεκινήσει.

**Σημείωση:** Για να επιμηκύνετε τη διάρκεια ζωής του εκκινητή χρησιμοποιείτε κύκλους εκκίνησης μικρού χρονικού διαστήματος (πέντε δευτερόλεπτα το μέγιστο). Περιμένετε για ένα λεπτό μεταξύ των κύκλων εκκίνησης.

**Σημείωση:** Εάν ο κινητήρας δεν ξεκινήσει μετά από επανειλημμένες προσπάθειες, συμβουλευθείτε τη σελίδα **VanguardEngines.com** ή καλέστε στο **1-800-999-9333** (για τις ΗΠΑ).

9. Επειδή ο κινητήρας θερμαίνεται, μετακινήστε τον μοχλό του τσοκ (C) στη θέση run .

Διακοπή λειτουργίας του κινητήρα - Εικόνα 4



**ΠΡΟΕΙΔΟΠΟΙΗΣΗ**



Το καύσιμο και οι αναθυμιάσεις του συνιστούν εξαιρετικά εύφλεκτες και εκρηκτικές ουσίες.

Ενδεχόμενη φωτιά ή έκρηξη μπορούν να προκαλέσουν σοβαρά εγκαύματα ή θάνατο.

- Μην κλείνετε τον αέρα στο καρμπυρατέρ για να σταματήσετε τον κινητήρα.

1. Μετακινήστε το μοχλό του γκαζιού στη θέση slow και στρέψτε το κλειδί (E) στη θέση off (Εικόνα 4). Αφαιρέστε το κλειδί και φυλάξτε το σε ασφαλές μέρος μακριά από παιδιά.
2. Φέρτε τον διακόπτη λειτουργίας (D), εάν υπάρχει, στη θέση off (απενεργοποίηση).
3. Όταν ο κινητήρας σταματήσει, στρέψτε τη βαλβίδα παροχής καυσίμου (A), εφόσον υπάρχει, στην κλειστή θέση.

Συντήρηση

Για κάθε εργασία συντήρησης του κινητήρα και των εξαρτημάτων του σας συνιστούμε να επισκέπτεστε εξουσιοδοτημένο αντιπρόσωπο της Briggs & Stratton.

**Σημείωση:** Για να διασφαλίζεται η ομαλή λειτουργία αυτού του κινητήρα, όλα τα εξαρτήματα που χρησιμοποιήθηκαν για την κατασκευή του πρέπει να παραμείνουν στη θέση τους.



**ΠΡΟΕΙΔΟΠΟΙΗΣΗ:** Εάν απαιτείται ανατροπή της μονάδας για λόγους συντήρησης, το δοχείο καυσίμου πρέπει να είναι άδειο διότι, διαφορετικά, υπάρχει κίνδυνος διαρροής καυσίμου και πρόκλησης πυρκαγιάς ή έκρηξης.

Έλεγχος Εκπομπών Καυσαερίων

Τις εργασίες συντήρησης, αντικατάστασης και επισκευής των συσκευών και συστημάτων ελέγχου εκπομπών κινητήρων που χρησιμοποιούνται εκτός δρόμου μπορούν να αναλαμβάνουν ιδιώτες ή εταιρείες επισκευής. Ωστόσο, την εργασία για έλεγχο εκπομπών καυσαερίων χωρίς επιβάρυνση, πρέπει να αναλαμβάνει εξουσιοδοτημένος αντιπρόσωπος του κατασκευαστή. Ανατρέξτε στην Εγγύηση του Συστήματος Εκπομπών Καυσαερίου.



**ΠΡΟΕΙΔΟΠΟΙΗΣΗ**



Τυχόν ακούσιο σπινθηρισμοί μπορούν να προκαλέσουν φωτιά ή ηλεκτροπληξία.



Τυχόν ακούσια εκκίνηση μπορεί να προκαλέσει εμπλοκή μέλους στον κινητήρα, ακρωτηριασμό, ή τεμαχισμό.



Κίνδυνος πυρκαγιάς

**Πριν από την εκτέλεση ρυθμίσεων ή επισκευών**

- Αποσυνδέστε το καλώδιο του μπουζί και κρατήστε το μακριά από το μπουζί.
- Αποσυνδέστε τον αρνητικό πόλο της μπαταρίας (μόνο για μηχανές με ηλεκτρική εκκίνηση).
- Χρησιμοποιείτε αποκλειστικά και μόνο τα κατάλληλα εργαλεία.
- Μην επεμβαίνετε στα ελατήρια του ρυθμιστή ταχύτητας, τους μηχανισμούς ή τα άλλα εξαρτήματα για να αυξήσετε την ταχύτητα του κινητήρα.
- Τα ανταλλακτικά πρέπει να είναι ίδια με τα γνήσια εξαρτήματα και να τοποθετούνται στη θέση αυτών. Εάν τα εξαρτήματα διαφέρουν, ενδέχεται να μην αποδίδουν εξίσου καλά, να προκαλούν βλάβες στη μονάδα, ακόμη και τραυματισμό.
- Μην χτυπάτε το σφόνδυλο με σφυρί ή άλλο σκληρό αντικείμενο, διότι υπάρχει κίνδυνος να σπάσει κατά τη λειτουργία.

**Κατά τον έλεγχο για σπινθήρα:**

- Χρησιμοποιείτε εγκεκριμένη διάταξη δοκιμής μπουζί.
- Μην ελέγχετε για σπινθήρα ενώ έχετε αφαιρέσει το μπουζί.

## Πίνακας Συντήρησης

<b>Πρώτες 5 ώρες</b>
<ul style="list-style-type: none"><li>Αλλαγή λαδιού</li></ul>
<b>Κάθε 8 ώρες ή κάθε μέρα</b>
<ul style="list-style-type: none"><li>Έλεγχος στάθμης λαδιού κινητήρα</li><li>Καθαρισμός της περιοχής γύρω από την εξάτμιση και τους μοχλούς.</li></ul>
<b>Κάθε 100 ώρες ή ετησίως</b>
<ul style="list-style-type: none"><li>Καθαρίστε ή αλλάξετε το φίλτρο αέρα * ▲</li><li>Αλλαγή λαδιού κινητήρα και φίλτρου</li><li>Καθαρισμός του προφίλτρου (εφόσον υπάρχει) *</li><li>Αντικατάσταση του μπουζί</li><li>Έλεγχος της εξάτμισης και της σήτας συγκράτησης σπινθήρων</li></ul>
<b>Κάθε 250 ώρες ή ετησίως</b>
<ul style="list-style-type: none"><li>Έλεγχος του διάκενου των βαλβίδων. Εάν χρειάζεται, κάντε τις ανάλογες ρυθμίσεις.</li></ul>
<b>Κάθε 400 ώρες ή ετησίως</b>
<ul style="list-style-type: none"><li>Αλλαγή φίλτρου αέρα ▲</li><li>Αντικατάσταση φίλτρου καυσίμου</li><li>Καθαρισμός του συστήματος ψύξης με αέρα *</li><li>Καθαρισμός των πτερυγίων του ψύκτη λαδιού *</li></ul>
<b>Κάθε 600 ώρες ή ετησίως</b>
<ul style="list-style-type: none"><li>Αλλαγή του φίλτρου ασφαλείας (εφόσον υπάρχει)</li></ul>

\* Υπό συνθήκες σκόνης ή όταν υπάρχουν αερόφερτα υπολείμματα, να καθαρίζετε πιο συχνά.

▲ Σε κάθε τρίτη αλλαγή του φίλτρου αέρα, να αντικαθιστάτε το εσωτερικό φίλτρο ασφαλείας (αν υπάρχει στον εξοπλισμό).

## Ρύθμιση του καρμπυρατέρ και της ταχύτητας του κινητήρα

Μην ρυθμίζετε ποτέ το καρμπυρατέρ και την ταχύτητα του κινητήρα. Το καρμπυρατέρ έχει ρυθμιστεί στο εργοστάσιο ώστε να λειτουργεί αποτελεσματικά σε όλες σχεδόν τις συνθήκες. Μην πειράζετε τα ελατήρια του ρυθμιστή ταχύτητας, τους μηχανισμούς ή τα άλλα εξαρτήματα για να τροποποιήσετε την ταχύτητα του κινητήρα. Σε περίπτωση που απαιτούνται ρυθμίσεις, απευθυνθείτε σε εξουσιοδοτημένο αντιπρόσωπο της Briggs & Stratton.

**ΠΡΟΣΟΧΗ:** Η μέγιστη ταχύτητα του κινητήρα καθορίζεται από τον κατασκευαστή κατά την τοποθέτησή του στον εξοπλισμό. **Μην υπερβαίνετε** αυτήν την ταχύτητα. Εάν δεν είστε βέβαιοι για τη μέγιστη ταχύτητα του εξοπλισμού ή τη ρυθμιζόμενη από το εργοστάσιο ταχύτητα του κινητήρα, απευθυνθείτε σε εξουσιοδοτημένο αντιπρόσωπο της Briggs & Stratton. Για την ασφαλή και ορθή λειτουργία του εξοπλισμού, η ταχύτητα του κινητήρα πρέπει να ρυθμίζεται αποκλειστικά από εξειδικευμένο τεχνικό.

## Αντικατάσταση του μπουζί - Εικόνα 5

Ελέγχετε το διάκενο (A, Εικόνα 5) με διακενόμετρο (B). Εάν χρειάζεται, ρυθμίστε το εκ νέου. Τοποθετήστε και σφίξτε το μπουζί σύμφωνα με τη συνιστώμενη ροπή στρέψης. Σχετικά με τη ρύθμιση του διάκενου ή τη ροπή στρέψης, ανατρέξτε στην ενότητα **Προδιαγραφές**.

**Σημείωση:** Σε ορισμένες περιοχές, η τοπική νομοθεσία απαιτεί τη χρήση μπουζί με αντίσταση για να καταστέλλονται τα κύματα ανάφλεξης. Αν ο κινητήρας σας είχε αρχικά μπουζί με αντίσταση, πρέπει να χρησιμοποιήσετε τον ίδιο τύπο στις επόμενες αντικαταστάσεις.

## Επιθεώρηση εξάτμισης και σήτα συγκράτησης σπινθήρων - Εικόνα 6



### ΠΡΟΕΙΔΟΠΟΙΗΣΗ



Η λειτουργία των κινητήρων παράγει θερμότητα. Τα εξαρτήματα του κινητήρα, και ιδιαίτερα η εξάτμιση, λαμβάνουν εξαιρετικά υψηλές θερμοκρασίες.



Τυχόν επαφή μπορεί να προκαλέσει σοβαρά εγκαύματα.

Υπολείμματα καυσίμων υλών, όπως φύλλα, γρασίδι, φύλλα θάμνων, κλπ. μπορούν να πιάσουν φωτιά.

- Μην αγγίζετε την εξάτμιση, τον κύλινδρο του κινητήρα και τα πτερύγια όσο είναι ακόμη θερμά.
- Απομακρύνετε τα συσσωρευμένα υπολείμματα από την περιοχή της εξάτμισης και του κυλίνδρου.
- Η χρήση ή η λειτουργία του κινητήρα σε δασώδη, χλωώδη ή θαμνώδη άγρια περιοχή συνιστά παράβαση του Τμήματος 4442 του Κώδικα περί Φυσικών Πόρων της Καλιφόρνιας, εκτός εάν το σύστημα εξάτμισης διαθέτει σήτα απορρόφησης σπινθήρων σε καλή λειτουργική κατάσταση, όπως ορίζεται στο Τμήμα 4442. Παρόμοιες νομοθεσίες ενδέχεται να ισχύουν και σε άλλες πολιτειακές ή ομοσπονδιακές δικαιοδοσίες. Για σήτα απορρόφησης σπινθήρων σχεδιασμένη για το σύστημα εξάτμισης που είναι εγκατεστημένο στον παρόντα κινητήρα, επικοινωνήστε με τον κατασκευαστή, το κατάστημα πώλησης ή τον αντιπρόσωπο του αρχικού εξοπλισμού.

Απομακρύνετε τα συσσωρευμένα υπολείμματα από την περιοχή της εξάτμισης και του κυλίνδρου. Επιθεωρήστε την εξάτμιση (A, Εικόνα 6) για τυχόν ρωγμές, διάβρωση ή άλλες φθορές. Αφαιρέστε τη σήτα συγκράτησης σπινθήρων (B), εάν υπάρχει, και επιθεωρήστε για τυχόν φθορές ή έμφραξη άνθρακα. Εάν διαπιστώσετε φθορές, αντικαταστήστε τα εξαρτήματα πριν από τη χρήση.



### ΠΡΟΕΙΔΟΠΟΙΗΣΗ:

Τα ανταλλακτικά πρέπει να είναι ίδια με τα γνήσια εξαρτήματα και να τοποθετούνται στη θέση αυτών. Εάν τα εξαρτήματα διαφέρουν, ενδέχεται να μην αποδίδουν εξίσου καλά, να προκαλούν βλάβες στη μονάδα, ακόμη και τραυματισμό.

## Αλλαγή λαδιού - Εικόνα 7

Το χρησιμοποιημένο λάδι είναι επικίνδυνο απόβλητο και πρέπει να απορρίπτεται ως αρμόζει. Μην το απορρίπτετε στον κάδο οικιακών απορριμμάτων. Για ασφαλείς εγκαταστάσεις απόρριψης/ανακύκλωσης, επικοινωνήστε με τις τοπικές αρχές, το κέντρο συντήρησης, ή τον τοπικό αντιπρόσωπο.

el

## Άδειασμα λαδιού

- Με τον κινητήρα απενεργοποιημένο αλλά ακόμα ζεστό, αποσυνδέστε το καλώδιο του μπουζί (A) και κρατήστε το μακριά από το μπουζί (Εικόνα 7).
- Αφαιρέστε το πώμα αποστράγγισης λαδιού (B). Αδειάστε το λάδι σε εγκεκριμένο δοχείο.
- Όταν αδειάσει το λάδι, τοποθετήστε και σφίξτε το πώμα αποστράγγισης λαδιού.

## Αλλαγή φίλτρου λαδιού

Όλα τα μοντέλα διαθέτουν φίλτρο λαδιού. Για τη συχνότητα αντικατάστασης, ανατρέξτε στο **Διάγραμμα Συντήρησης**.

- Αποστραγγίστε το λάδι από τον κινητήρα. Βλέπε **Αλλαγή λαδιού**.
- Αφαιρέστε το φίλτρο λαδιού (C, Εικόνα 7) και φροντίστε για την ορθή απόρριψή του.
- Πριν τοποθετήσετε το καινούριο φίλτρο λαδιού, λαδώστε ελαφρά το στόμιο του με φρέσκο, καθαρό λάδι.
- Βιδώστε το φίλτρο με το χέρι μέχρι το σημείο επαφής του στομίου του με τον προσαρμογέα και στη συνέχεια σφίξτε το φίλτρο λαδιού κατά 1/2 έως 3/4 στροφές.
- Προσθήκη λαδιού. Ανατρέξτε στην ενότητα **Προσθήκη λαδιού**.
- Εκκινήστε τον κινητήρα και αφήστε τον να λειτουργήσει. Όσο ο κινητήρας θερμαίνεται, ελέγξτε για τυχόν διαρροές λαδιού.
- Σταματήστε τον κινητήρα και ελέγξτε τη στάθμη του λαδιού. Βεβαιωθείτε ότι φτάνει μέχρι το πάνω μέρος της ένδειξης (F) του δεικτη.

## Προσθήκη λαδιού

- Φέρτε τον κινητήρα σε οριζόντια θέση.
  - Καθαρίστε την περιοχή γύρω από το πώμα πλήρωσης λαδιού από τυχόν υπολείμματα.
  - Βλέπε την ενότητα **Προδιαγραφές** για τη χωρητικότητα λαδιού.
- Αφαιρέστε τον δεικτη λαδιού (D, Εικόνα 7) και σκουπίστε τον με καθαρό πανί.
  - Προσθέστε αργά λάδι στον κινητήρα από την οπή πλήρωσης (H). **Μην υπερπληρώνετε.** Μετά την προσθήκη του λαδιού, περιμένετε ένα λεπτό και εν συνεχεία ελέγξτε τη στάθμη του λαδιού.
  - Τοποθετήστε και σφίξτε τον δεικτη λαδιού.
  - Αφαιρέστε τον δεικτη στάθμης λαδιού και ελέγξτε τη στάθμη του λαδιού. Βεβαιωθείτε ότι φτάνει μέχρι το πάνω μέρος της ένδειξης (F) του δεικτη.
  - Τοποθετήστε και σφίξτε τον δεικτη λαδιού.

## Συντήρηση του φίλτρου αέρα - Εικόνα 8 9



### ΠΡΟΕΙΔΟΠΟΙΗΣΗ



Το καύσιμο και οι αναθυμιάσεις του συνιστούν εξαιρετικά εύφλεκτες και εκρηκτικές ουσίες.

Ενδεχόμενη φωτιά ή έκρηξη μπορούν να προκαλέσουν σοβαρά εγκαύματα ή θάνατο.

- Ποτέ μην θέτετε σε λειτουργία και μην χειρίζεστε τον κινητήρα όταν έχει αφαιρεθεί το συγκρότημα του φίλτρου αέρα (εάν υπάρχει) ή το ίδιο το φίλτρο αέρα (εάν υπάρχει).

**Σημείωση:** Μην χρησιμοποιείτε πεπεσμένο αέρα ή διαλύτες για να καθαρίσετε το φίλτρο. Ο πεπεσμένος αέρας μπορεί να προκαλέσει βλάβη στο φίλτρο, ενώ οι διαλύτες θα το διαλύσουν.

Στο σύστημα του φίλτρου αέρα χρησιμοποιείται κυκλωνικό φίλτρο αέρα ή φίλτρο αέρα μικρής διατομής. Για τις απαιτήσεις συντήρησης ανατρέξτε στο **Διάγραμμα Συντήρησης**.

### Σύστημα κυκλωνικού φίλτρου αέρα

1. Ανοίξτε τα άγκιστρα (A) και αφαιρέστε το καπάκι (B). Βλ. Εικόνα 8.
2. Αφαιρέστε το φίλτρο αέρα (C).
3. Για να απομακρύνετε τα υπολείμματα, χτυπήστε ελαφρά το φίλτρο αέρα σε σκληρή επιφάνεια. Εάν το φίλτρο είναι πολύ βρώμικο, αντικαταστήστε το με ένα καινούργιο.
4. Το σύστημα του κυκλωνικού φίλτρου αέρα περιλαμβάνει επίσης φίλτρο ασφαλείας (D) (εφόσον υπάρχει). Για τις απαιτήσεις συντήρησης ανατρέξτε στο **Διάγραμμα Συντήρησης**. Για να αφαιρέσετε το φίλτρο ασφαλείας, απομακρύνετε το προσεκτικά από το κυρίως σώμα του φίλτρου αέρα (E) και απορρίψτε το. Βεβαιωθείτε ότι δεν εισχωρούν ακαθαρσίες ή υπολείμματα στον κινητήρα.
5. Εγκαταστήστε το καινούργιο φίλτρο ασφαλείας στο κυρίως σώμα του φίλτρου αέρα.
6. Εγκαταστήστε το φίλτρο αέρα στο φίλτρο ασφαλείας.
7. Τοποθετήστε το καπάκι και κλείστε τα άγκιστρα.

### Σύστημα φίλτρου αέρα μικρής διατομής

1. Αφαιρέστε τη βίδα (F) και το καπάκι (G). Βλ. Εικόνα 9.
2. Αφαιρέστε το παξιμάδι (H) και τη διάταξη συγκράτησης (J).
3. Αφαιρέστε το φίλτρο αέρα (K).
4. Αφαιρέστε το προφίλτρο (L), εφόσον υπάρχει, από το φίλτρο αέρα.
5. Για να απομακρύνετε τα υπολείμματα, χτυπήστε ελαφρά το φίλτρο αέρα σε σκληρή επιφάνεια. Εάν το φίλτρο είναι πολύ βρώμικο, αντικαταστήστε το με ένα καινούργιο.
6. Πλύντε το προφίλτρο με υγρό απορρυπαντικό και νερό. Στη συνέχεια, αφήστε το να στεγνώσει καλά στον αέρα. Μην λιπαίνετε το προφίλτρο.
7. Εγκαταστήστε το στεγνό προφίλτρο στο φίλτρο αέρα.
8. Εγκαταστήστε το φίλτρο αέρα και στερεώστε το με το παξιμάδι και τη διάταξη συγκράτησης.
9. Τοποθετήστε το καπάκι και στερεώστε το με τη βίδα.

## Καθαρισμός του συστήματος ψύξης με αέρα - Εικόνα 11 12



### ΠΡΟΕΙΔΟΠΟΙΗΣΗ



Η λειτουργία των κινητήρων παράγει θερμότητα. Τα εξαρτήματα του κινητήρα, και ιδιαίτερα η εξάτμιση, λαμβάνουν εξαιρετικά υψηλές θερμοκρασίες.



Τυχόν επαφή μπορεί να προκαλέσει σοβαρά εγκαύματα.

Υπολείμματα καυσίμων υλών, όπως φύλλα, γρασίδι, φύλλα θάμνων, κλπ. μπορούν να πιάσουν φωτιά.

- Μην αγγίζετε την εξάτμιση, τον κύλινδρο του κινητήρα και τα πετέρυγια όσο είναι ακόμη θερμά.
- Απομακρύνετε τα συσσωρευμένα υπολείμματα από την περιοχή της εξάτμισης και του κυλίνδρου.

**Σημείωση:** Μην χρησιμοποιείτε νερό για να καθαρίσετε τον κινητήρα, διότι το νερό μπορεί να εισχωρήσει στο σύστημα τροφοδοσίας καυσίμου. Χρησιμοποιείτε βούρτσα ή στεγνό πανί.

Ο κινητήρας αυτός είναι αερόψυκτος. Οι σκόνες και τα διάφορα υπολείμματα μπορούν να περιορίσουν την παροχή αέρα και να προκαλέσουν υπερθέρμανση του κινητήρα, με αποτέλεσμα τη χαμηλή απόδοση και τη μείωση της διάρκειας ζωής του.

Χρησιμοποιήστε βούρτσα ή στεγνό πανί για να αφαιρέσετε τα υπολείμματα από το προστατευτικό δακτύλιω (A, Εικόνα 11). Φροντίστε οι σύνδεσμοι, τα ελατήρια και οι διατάξεις ελέγχου (B) να διατηρούνται καθαρά. Φροντίστε η περιοχή γύρω και πίσω από την εξάτμιση (C) να διατηρείται καθαρή από εύφλεκτα υπολείμματα. Βεβαιωθείτε ότι τα πετέρυγια του ψύκτη λαδιού (D) διατηρούνται καθαρά από ακαθαρσίες και υπολείμματα.

Καθαρίστε την περιοχή κάτω από το καπάκι (E, Εικόνα 12). Χαλαρώστε τις δύο βίδες (F) έως ότου ακούσετε κλικ. Αφαιρέστε το καπάκι και καθαρίστε το από ακαθαρσίες και υπολείμματα. Βεβαιωθείτε ότι η κάτω πλευρά του καπακιού είναι καθαρή. Τοποθετήστε το καπάκι και σφίξτε τις βίδες μέχρι να ακούσετε κλικ.

## Αντικατάσταση φίλτρου καυσίμου - Εικόνα 10



### ΠΡΟΕΙΔΟΠΟΙΗΣΗ



Η βενζίνη και οι αναθυμιάσεις της αποτελούν εξαιρετικά εύφλεκτες και εκρηκτικές ουσίες.

Ενδεχόμενη φωτιά ή έκρηξη μπορούν να προκαλέσουν σοβαρά εγκαύματα ή θάνατο.

- Διατηρείτε τη βενζίνη μακριά από σπινθήρες, γυμνή φλόγα, ενδεικτικές λυχνίες, θερμότητα, και άλλες πηγές ανάφλεξης.
- Ελέγχετε συχνά τις σωληνώσεις καυσίμου, το ντεπόζιτο καυσίμου, το πώμα και τα εξαρτήματα για ρωγμές ή διαρροές. Προβείτε σε αντικαταστάσεις εάν είναι απαραίτητο.
- Πριν αντικαταστήσετε το φίλτρο καυσίμου, αδειάστε το ντεπόζιτο καυσίμου ή κλείστε τη βαλβίδα παροχής καυσίμου.
- Τα ανταλλακτικά πρέπει να είναι ίδια και να τοποθετούνται στην ίδια θέση με τα αυθεντικά.
- Εάν χυθεί καύσιμο, περιμένετε έως ότου εξατμιστεί προτού να προβείτε σε εκκίνηση του κινητήρα.

1. Πριν αντικαταστήσετε το φίλτρο καυσίμου (A, Εικόνα 10), εφόσον υπάρχει, αποστραγγίστε το ντεπόζιτο καυσίμου ή κλείστε τη βαλβίδα παροχής καυσίμου. Σε διαφορετική περίπτωση, μπορεί να υπάρχει διαρροή καυσίμου και πρόκληση φωτιάς ή έκρηξης.
2. Χρησιμοποιήστε πένσα για να πιέσετε τις ωτίδες (B) στους σφιγκτήρες (C), στη συνέχεια απομακρύνετε τους σφιγκτήρες από το φίλτρο καυσίμου. Περιστρέψτε και απομακρύνετε τις σωληνώσεις καυσίμου (D) από το φίλτρο καυσίμου.
3. Ελέγξτε τις σωληνώσεις καυσίμου για τυχόν ρωγμές ή διαρροές. Αντικαταστήστε εφόσον απαιτείται.
4. Αντικαταστήστε το φίλτρο καυσίμου με γνήσιο ανταλλακτικό.
5. Ασφαλίστε τις σωληνώσεις καυσίμου με τους σφιγκτήρες όπως υποδεικνύεται.

## Αποθήκευση



### ΠΡΟΕΙΔΟΠΟΙΗΣΗ



Το καύσιμο και οι αναθυμιάσεις του συνιστούν εξαιρετικά εύφλεκτες και εκρηκτικές ουσίες.

Ενδεχόμενη φωτιά ή έκρηξη μπορούν να προκαλέσουν σοβαρά εγκαύματα ή θάνατο.

- Για την αποθήκευση καυσίμου ή εξοπλισμού με καύσιμο στο δοχείο
- Αποθηκεύετε μακριά από φούρνους, θερμάστρες, θερμοσίφωνες ή άλλες συσκευές που χρησιμοποιούν ενδεικτική λυχνία ή άλλες ενδεχόμενες πηγές ανάφλεξης των αναθυμιάσεων καυσίμων.

## Σύστημα τροφοδοσίας καυσίμου

Το καύσιμο που παραμένει αποθηκευμένο για περισσότερο από 30 ημέρες χάνει τη φρεσκάδα του. Το παλιό καύσιμο προκαλεί απόθεση υπολειμμάτων οξέων και καυσίμου στο σύστημα καυσίμου ή σε βασικά μέρη του καρμπυρατέρ. Για να διατηρείτε φρέσκο το καύσιμο χρησιμοποιείτε το βελτιωτικό και σταθεροποιητικό καυσίμου προηγμένης σύνθεσης της Briggs & Stratton, το οποίο διατίθεται σε κάθε σημείο πώλησης γνήσιων ανταλλακτικών της Briggs & Stratton.

Για κινητήρες με πώμα καυσίμου FRESH START®, χρησιμοποιείτε το σταθεροποιητικό καυσίμου FRESH START® της Briggs & Stratton, το οποίο διατίθεται συμπυκνωμένο σε φυσίγγιο για ενστάλαξη.

Όταν προσθέτετε σταθεροποιητικό καυσίμου σύμφωνα με τις οδηγίες, δεν χρειάζεται να αδειάσετε τη βενζίνη από τον κινητήρα. Αφήστε τον κινητήρα σε λειτουργία για 2 λεπτά, ώστε να κυκλοφορήσει το σταθεροποιητικό σε ολόκληρο το σύστημα τροφοδοσίας καυσίμου προτού αποθηκευθεί ο κινητήρας.

Εάν στη βενζίνη του κινητήρα δεν έχει προστεθεί σταθεροποιητικό, τότε πρέπει να αδειάσετε τη βενζίνη σε εγκεκριμένο δοχείο. Αφήστε τον κινητήρα σε λειτουργία έως ότου σταματήσει λόγω εξάντλησης του καυσίμου. Η χρήση σταθεροποιητικού καυσίμου στο δοχείο αποθήκευσης συνιστάται ώστε το καύσιμο να διατηρείται φρέσκο.

## Λάδι κινητήρα

Αλλάζετε το λάδι του κινητήρα όταν ο κινητήρας είναι ακόμη ζεστός.

## Ανίχνευση Βλαβών

Χρειάζεστε βοήθεια; Επισκεφτείτε τη σελίδα [VanguardEngines.com](http://VanguardEngines.com) στο Διαδίκτυο ή καλέστε στο 1-800-999-9333 (για τις ΗΠΑ).



## Προδιαγραφές

Προδιαγραφές Κινητήρα	
Μοντέλο	540000
Κυβισμός	54,68 ci (896 cc)
Εσωτερική Διάμετρος (ΕΔ)	3,366 in (85,5 mm)
Διαδρομή εμβόλου	3,071 in (78,0 mm)
Χωρητικότητα λαδιού	78 - 80 oz (2,3 - 2,4 L)

Προδιαγραφές Κινητήρα	
Μοντέλο	610000
Κυβισμός	60,60 ci (993 cc)
Εσωτερική Διάμετρος (ΕΔ)	3,366 in (85,5 mm)
Διαδρομή εμβόλου	3,406 in (86,5 mm)
Χωρητικότητα λαδιού	78 - 80 oz (2,3 - 2,4 L)

Προδιαγραφές γενικής συντήρησης *	
Μοντέλο	540000
Διάκενο μπουζί	0,030 in (0,76 mm)
Ροπή στρέψης του μπουζί	180 lb-in (20 Nm)
Διάκενο ρύθμισης ηλεκτρονικής	0,005 - 0,008 in (0,13 - 0,20 mm)
Διάκενο βαλβίδας εισαγωγής	0,004 - 0,006 in (0,10 - 0,15 mm)
Διάκενο βαλβίδας εξαγωγής	0,004 - 0,006 in (0,10 - 0,15 mm)

Προδιαγραφές γενικής συντήρησης *	
Μοντέλο	610000
Διάκενο μπουζί	0,030 in (0,76 mm)
Ροπή στρέψης του μπουζί	180 lb-in (20 Nm)
Διάκενο ρύθμισης ηλεκτρονικής	0,005 - 0,008 in (0,13 - 0,20 mm)
Διάκενο βαλβίδας εισαγωγής	0,004 - 0,006 in (0,10 - 0,15 mm)
Διάκενο βαλβίδας εξαγωγής	0,004 - 0,006 in (0,10 - 0,15 mm)

\* Η ισχύς του κινητήρα θα μειώνεται κατά 3.5% ανά 300 μέτρα επάνω από το επίπεδο της θάλασσας και κατά 1% ανά 5,6° C (10° F) επάνω από τους 25° C (77° F). Ο κινητήρας θα λειτουργεί ικανοποιητικά σε γωνία έως 15°. Για τα επιτρεπόμενα όρια ασφαλούς λειτουργίας σε επικλινές έδαφος, ανατρέξτε στο εγχειρίδιο χρήσης του εξοπλισμού.

### Κοινά εξαρτήματα ✓

Ανταλλακτικό	Αριθμός εξαρτήματος	Ανταλλακτικό	Αριθμός εξαρτήματος
Φίλτρο αέρα, κυκλωνικό	841497	Φίλτρο καυσίμου	691035
Φίλτρο ασφαλείας, κυκλωνικό	821136	Βελτιωτικό καυσίμου	5041, 5058
Φίλτρο αέρα, μικρής διατομής	692519	Μπουζί με αντίσταση	491055
Προφίλτρο, μικρής διατομής	692520	Μπουζί από πλατίνα μεγάλης διάρκειας ζωής	5066
Λάδι - SAE 30	100028	Μπουζόκλειδο	19374
Φίλτρο λαδιού	842921	Δοκιμαστής Σπινθήρων	19368

✓ Για κάθε εργασία συντήρησης του κινητήρα και των εξαρτημάτων του σας συνιστούμε να επισκέπτεστε εξουσιοδοτημένο συνεργείο της Briggs & Stratton.

**ΠΕΡΙΟΡΙΣΜΕΝΗ ΕΓΓΥΗΣΗ**

Η Briggs & Stratton Corporation εγγυάται ότι, κατά την περίοδο ισχύος της εγγύησης που καθορίζεται παρακάτω, θα επισκευάσει ή θα αντικαταστήσει, χωρίς καμία δική σας επιβάρυνση, κάθε εξάρτημα του κινητήρα του οποίου το υλικό ή η κατεργασία ή αμφότερα είναι ελαττωματικά. Τα έξοδα μεταφοράς για τα προϊόντα που αποστέλλονται για επισκευή ή αντικατάσταση στο πλαίσιο της παρούσας εγγύησης επιβαρύνουν τον αγοραστή. Η παρούσα εγγύηση ισχύει για τα χρονικά διαστήματα και υπό τους όρους που αναφέρονται παρακάτω. Για εξυπηρέτηση βάσει της εγγύησης απευθυνθείτε στο πλησιέστερο εξουσιοδοτημένο συνεργείο συντήρησης που θα βρείτε στον χάρτη αντιπροσώπων, στην ιστοσελίδα μας BRIGGSandSTRATTON.COM. Ο αγοραστής πρέπει πρώτα να επικοινωνήσει με το εξουσιοδοτημένο συνεργείο συντήρησης και στη συνέχεια να προσκομίσει τον κινητήρα για επιθεώρηση και έλεγχο.

**Δεν υπάρχει άλλη ρητή εγγύηση. Οι υποδηλούμενες εγγυήσεις, συμπεριλαμβανόμενων των εγγυήσεων της εμπορευσιμότητας και της καταλληλότητας για συγκεκριμένο σκοπό, περιορίζονται στο χρονικό διάστημα ενός έτους από την ημερομηνία αγοράς, ή στο βαθμό που επιτρέπει ο νόμος. Οι υπόλοιπες υποδηλούμενες εγγυήσεις εξαιρούνται. Καμία εγγύηση δεν καλύπτει τις συμπτωματικές ή επακόλουθες ζημιές, στο μέτρο που αυτό επιτρέπεται από το νόμο.** Κάποιες χώρες ή πολιτείες δεν επιτρέπουν περιορισμούς ως προς τη διάρκεια μιας υποδηλούμενης εγγύησης, και κάποιες χώρες ή πολιτείες δεν επιτρέπουν την εξαίρεση ή τον περιορισμό των συμπτωματικών ή επακόλουθων ζημιών και συνεπώς ο παραπάνω περιορισμός και η εξαίρεση ενδέχεται να μην ισχύουν στην περίπτωση σας. Αυτή η εγγύηση σας παρέχει ειδικά νομικά δικαιώματα και ενδέχεται επίσης να έχετε και άλλα δικαιώματα που διαφέρουν από χώρα σε χώρα και από πολιτεία σε πολιτεία \*\*.

**ΒΑΣΙΚΟΙ ΟΡΟΙ ΕΓΓΥΗΣΗΣ \* ▲**

Μάρκα/Τύπος προϊόντος	Χρήση από Ιδιώτη	Επαγγελματική χρήση
Vanguard™ ■	3 έτη	3 έτη
Commercial Turf Series™	2 έτη	2 έτη
Σειρά Παρατεταμένης Διάρκειας Ζωής™, I/C® , Intek™ I/C®, Intek™ Pro,™ Professional Series™ με σύνδεσμο από χυτοσίδηρο Dura-Bore™ 850 Series™ με σύνδεσμο από χυτοσίδηρο Dura-Bore™ Snow Series MAX™ με σύνδεσμο από χυτοσίδηρο Dura-Bore™ Όλοι οι υπόλοιποι κινητήρες Briggs & Stratton διαθέτουν χιτώνια από χυτοσίδηρο Dura-Bore™	2 έτη	1 έτος
Όλοι οι άλλοι κινητήρες της Briggs & Stratton	2 έτη	90 ημέρες

- \* Αυτοί είναι οι βασικοί όροι εγγύησης που παρέχει η εταιρεία μας αλλά ενδέχεται να ισχύουν πρόσθετες περιπτώσεις κάλυψης οι οποίες δεν προσδιορίζονται κατά τη δημοσίευση της εγγύησης. Για τους όρους εγγύησης που ισχύουν για τον κινητήρα σας, ανατρέξτε στην ιστοσελίδα της BRIGGSandSTRATTON.COM ή επικοινωνήστε με εξουσιοδοτημένο συνεργείο συντήρησης της Briggs & Stratton.
- \*\* Αυστραλία – Τα προϊόντα μας συνοδεύονται από εγγυήσεις οι οποίες δεν μπορούν να αποκλειστούν βάσει του αυστραλιανού δικαίου του καταναλωτή. Δικαιούστε αντικατάσταση του προϊόντος ή επιστροφή χρημάτων σε περίπτωση σοβαρής βλάβης και αποζημίωση για κάθε άλλη ευλόγως προβλεπόμενη απώλεια ή φθορά. Σε περίπτωση που τα προϊόντα δεν έχουν αποδεκτό επίπεδο ποιότητας και η βλάβη δεν είναι σοβαρή δικαιούστε επίσης επισκευή ή αντικατάσταση του προϊόντος. Για εξυπηρέτηση βάσει της εγγύησης απευθυνθείτε στο πλησιέστερο εξουσιοδοτημένο συνεργείο συντήρησης που θα βρείτε στον χάρτη αντιπροσώπων, στην ιστοσελίδα μας BRIGGSandSTRATTON.COM, ή τηλεφωνήστε στο 1300 274 447, ή αποστείλετε μήνυμα στην ηλεκτρονική διεύθυνση salesenquiries@briggsandstratton.com.au, ή γράψτε μας στην ταχυδρομική διεύθυνση Briggs & Stratton Australia Pty Ltd, 1 Moorebank Avenue, Moorebank, NSW , Australia, 2170.
- ▲ Συστήματα γεννητριών οικιακής χρήσης: Διετής εγγύηση αποκλειστικά για χρήση από ιδιώτη. Δεν καλύπτεται από εγγύηση σε περίπτωση επαγγελματικής χρήσης. Η παρούσα εγγύηση δεν καλύπτει κινητήρες που χρησιμοποιούνται ως κύρια πηγή ισχύος αντικαθιστώντας αυτήν που παρέχουν οι οργανισμοί κοινής ωφελείας. **Οι κινητήρες που χρησιμοποιούνται σε αγώνες, ή σε επαγγελματικής χρήσης, ή ενοικιαζόμενα οχήματα, δεν καλύπτονται από την εγγύηση.**
- Κινητήρας Vanguard εγκατεστημένος σε σύστημα γεννητριών: διετής εγγύηση για χρήση από ιδιώτη, δεν καλύπτεται από εγγύηση σε περίπτωση επαγγελματικής χρήσης. Κινητήρας Vanguard εγκατεστημένος σε οχήματα πολλαπλών χρήσεων: διετής εγγύηση για χρήση από ιδιώτη, διετής εγγύηση για επαγγελματική χρήση. Τρικύλινδρος υγρόψυκτος κινητήρας Vanguard: βλ. Πολιτική Εγγύησης της Briggs & Stratton για τους τρικύλινδρους υδρόψυκτους κινητήρες.

Η περίοδος ισχύος της εγγύησης αρχίζει από την ημερομηνία αγοράς από τον αρχικό αγοραστή, στην περίπτωση λιανικής πώλησης, ή τον τελικό χρήστη, στην περίπτωση επαγγελματικής χρήσης, και συνεχίζεται για τη χρονική περίοδο που δηλώνεται στον παραπάνω πίνακα. "Χρήση από ιδιώτη" σημαίνει χρήση σε χώρο προσωπικής διαμονής από τον αρχικό αγοραστή λιανικής πώλησης. "Επαγγελματική χρήση" σημαίνει όλες τις άλλες χρήσεις, συμπεριλαμβανομένης και της χρήσης για εμπορικό σκοπό, χρήση επί αμοιβή ή ενοίκιαση. Εφόσον ένας κινητήρας έχει χρησιμοποιηθεί για επαγγελματικούς σκοπούς, στο πλαίσιο της παρούσας εγγύησης, θα θεωρείται ως κινητήρας επαγγελματικής χρήσης.

**Δεν απαιτείται συμπλήρωση κάρτας για να έχετε εγγύηση στα προϊόντα της Briggs & Stratton. Φυλάξτε το αποδεικτικό αγοράς. Εάν δεν προσκομίσετε αποδεικτικό της αρχικής αγοράς τη στιγμή της αίτησης για επισκευή βάσει της εγγύησης, ο προσδιορισμός της περιόδου εγγύησης θα βασιστεί στην ημερομηνία κατασκευής του προϊόντος.**

**Σχετικά με την εγγύησή σας**

Η Briggs & Stratton ευχαρίστως επισκευάζει εφόσον υπάρχει εγγύηση και ζητάει συγγνώμη για την ταλαιωρία σας. Κάθε εξουσιοδοτημένο συνεργείο της Briggs & Stratton μπορεί να αναλαμβάνει επισκευές στο πλαίσιο εγγύησης. Οι περισσότερες επισκευές βάσει εγγύησης εξυπηρετούνται προγραμματισμένα, αλλά κάποιες φορές τα αιτήματα για επισκευή ενδέχεται να μην καλύπτονται από την εγγύηση. Προς αποφυγή παρεξηγήσεων μεταξύ πελάτη και αντιπροσώπου, αναφέρονται παρακάτω κάποιες από τις αιτίες της βλάβης κινητήρα τις οποίες δεν καλύπτει η εγγύηση.

**Φυσιολογική φθορά:** Όπως όλες οι μηχανές, οι κινητήρες χρειάζονται περιοδική συντήρηση ή αντικατάσταση εξαρτημάτων προκειμένου να λειτουργούν σωστά. Η εγγύηση δεν καλύπτει την επισκευή σε περιπτώσεις όπου ένα εξάρτημα ή ένας κινητήρας, μετά από κανονική χρήση, έχει φθάσει στο τέλος της διάρκειας ζωής του. Η εγγύηση δεν ισχύει σε περίπτωση βλάβης του κινητήρα λόγω κακής μεταχείρισης, έλλειψης προγραμματισμένης συντήρησης, διακίνησης, χειρισμού, αποθήκευσης ή ακατάλληλης εγκατάστασης. Ομοίως, η εγγύηση δεν ισχύει στην περίπτωση που έχει αφαιρεθεί ο αριθμός σειράς του κινητήρα ή ο κινητήρας έχει υποστεί μετατροπές ή τροποποιήσεις.

**Μη σωστή συντήρηση:** Η διάρκεια ζωής ενός κινητήρα εξαρτάται από τις συνθήκες υπό τις οποίες λειτουργεί και από την συντήρηση που του γίνεται. Κάποιες εφαρμογές όπως π.χ. καλλιεργητικά, αντλίες και περιστροφικά χλοοκοπτικά χρησιμοποιούνται πολύ συχνά σε συνθήκες μη σκόνη ή βρωμιά, οι οποίες μπορούν να προκαλέσουν πρόωρη φθορά. Μία τέτοια φθορά, όταν προκαλείται από σκόνη, βρωμιά, ύλη επικάλυψης μπουζί ή από άλλο υλικό που προξενεί φθορά και το οποίο έχει εισέλθει στον κινητήρα λόγω μη σωστής συντήρησης, δεν καλύπτεται από εγγύηση.

**Αυτή η εγγύηση καλύπτει ελαττωματικό υλικό ή/και εργασία σε σχέση με τον κινητήρα μόνο και όχι αντικατάσταση ή επιστροφή χρημάτων για το μηχάνημα πάνω στο οποίο ενδέχεται να είναι τοποθετημένος ο κινητήρας. Η εγγύηση επίσης δεν καλύπτει τις επισκευές που χρειάστηκαν λόγω:**

- 1 Προβλημάτων που προέκυψαν από εξαρτήματα τα οποία δεν είναι γνήσια ανταλλακτικά της Briggs & Stratton.
- 2 Στοιχείων ελέγχου του μηχανήματος ή εγκαταστάσεων που εμποδίζουν την εκκίνηση, προκαλούν μη ικανοποιητική απόδοση του κινητήρα ή περιορίζουν τη διάρκεια ζωής του (απευθυνθείτε στον κατασκευαστή του μηχανήματος).

- 3 Καρμπυρατέρ με διαρροή, φραγμένων σωληνώσεων καυσίμου, κολλημένων βαλβίδων, ή άλλης ζημιάς που προκλήθηκε από τη χρήση "μολυσμένου" καυσίμου, ή καυσίμου που έμεινε για καιρό μέσα στο ρεζερβουάρ.
- 4 Εξαρτημάτων με ρωγμές ή σπασίματα, λόγω λειτουργίας του κινητήρα χωρίς αρκετό λιπαντικό, ή με "μολυσμένο" λάδι, ή με λάδι ακατάλληλου βαθμού (ελέγχετε τη στάθμη, προσθέτετε λάδι όποτε χρειάζεται και αλλάζετε το λάδι με την προτεινόμενη συχνότητα). Το σύστημα προστασίας από έλλειψη λαδιού (OIL GARD) ενδέχεται να μην σβήσει τον κινητήρα. Αν η στάθμη του λαδιού δεν διατηρείται όπως πρέπει, μπορεί να προκληθεί βλάβη του κινητήρα.
- 5 Επισκευής ή ρύθμισης συνδυαζόμενων εξαρτημάτων ή συγκροτημάτων όπως συμπλεκτών, γραναζιών μετάδοσης κίνησης, τηλεχειρισμών κλπ. τα οποία δεν κατασκευάζονται από τη Briggs & Stratton.
- 6 Ζημιάς ή βλάβης σε εξαρτήματα η οποία προέκυψε από σκόνη που εισήλθε στον κινητήρα λόγω μη σωστής συντήρησης του φίλτρου αέρα, επανασυναρμολόγησης, ή χρήσης μη γνήσιου στοιχείου του φίλτρου. Στα συνιστώμενα τακτά χρονικά διαστήματα, να καθαρίζετε και/ή να αντικαθιστάτε το φίλτρο σύμφωνα με το Εγχειρίδιο Χρήσης.
- 7 Εξαρτημάτων που έπαθαν ζημιά από υπερβολική ταχύτητα, ή υπερθέρμανση που προκλήθηκε από γρασίδι, σκόνη, ή υπολείμματα τα οποία βουλώνουν ή φράζουν τα πτερύγια ψύξης, ή την περιοχή της φτερωτής, ή ζημιάς που προκλήθηκε από την λειτουργία του κινητήρα σε περιορισμένο χώρο, χωρίς επαρκή αερισμό. Καθαρίζετε τα υπολείμματα στον κινητήρα κατά τα συνιστώμενα τακτά χρονικά διαστήματα, σύμφωνα με το Εγχειρίδιο Χρήσης.
- 8 Εξαρτημάτων του κινητήρα ή του μηχανήματος που έχουν σπάσει λόγω υπερβολικών δονήσεων που προκλήθηκαν από χαλαρή συναρμολόγηση του κινητήρα, από λασκαρισμένες κοπτικές λεπίδες, από μη ζυγοσταθμισμένες λεπίδες ή λασκαρισμένες ή μη ζυγοσταθμισμένες φτερωτές, από μη σωστή προσαρτηση του μηχανήματος στο στροφαλοφόρο άξονα του κινητήρα, από υπερβολική ταχύτητα ή άλλη παραβίαση κατά τη λειτουργία.
- 9 Στραβωμένου ή σπασμένου στροφαλοφόρου άξονα, λόγω κτυπήματος στερεού αντικειμένου με την κοπτική λεπίδα περιστρεφόμενου χορτοκοπτικού ή λόγω υπερβολικού τεντώματος του τραπεζοειδούς ιμάντα.
- 10 Προγραμματισμένης γενικής συντήρησης ή ρύθμισης του κινητήρα.
- 11 Βλάβης του κινητήρα ή εξαρτήματός του, π.χ. θαλάμου καύσης, βαλβίδων, εδρών βαλβίδων, οδηγών βαλβίδων, ή λόγω καμένων περιελίξεων μίζας, που προέκυψαν από τη χρήση εναλλακτικών καυσίμων, όπως υγροποιημένου φυσικού αερίου, βενζίνης με περιεκτικότητα αιθανόλης μεγαλύτερη του 10%, κλπ.

**Η επισκευή βάσει εγγύησης παρέχεται μόνο μέσω των εξουσιοδοτημένων συνεργείων της Briggs & Stratton. Βρείτε το πλησιέστερο εξουσιοδοτημένο συνεργείο συντήρησης στον χάρτη αναζήτησης των αντιπροσώπων μας μέσω της ιστοσελίδας μας BRIGGSandSTRATTON.COM ή καλέστε το 1-800-233-3723 (για τις ΗΠΑ).**

Not for  
Reproduction

## Información General

Este manual contiene información de seguridad para que usted tome conciencia de los peligros y riesgos asociados con los motores, y cómo evitarlos. También contiene instrucciones para el uso y cuidado apropiados del motor. Ya que Briggs & Stratton Corporation no conoce necesariamente cuál equipo impulsará este motor, es importante que usted lea y entienda estas instrucciones y las instrucciones del equipo. **Guarde estas instrucciones para consultarlas en el futuro.**

Para conseguir repuestos o asistencia técnica registre los números de modelo, tipo y código de su motor junto con la fecha de compra. Estos números los encuentra localizados en su motor (consulte la página de **Características y Controles**).

**Fecha de compra:** \_\_\_\_\_  
MES/DIA/AÑO


**Modelo del motor:** \_\_\_\_\_  
Modelo: Tipo: Código:


**Clasificaciones de potencia:** La clasificación de potencia total para los modelos individuales de motores a gas se etiqueta de acuerdo con el código J1940 de SAE (Sociedad de Ingenieros Automotrices) (Procedimiento de Clasificación de Potencia & Torque del Motor Pequeño) y la clasificación de desempeño se ha obtenido y se ha corregido de acuerdo con SAE J1995. Los valores de torsión se derivan a 2600 RPM para aquellos motores con "rpm" mencionadas en la etiquetay 3060 PRM para todos los demás; los valores de potencia se derivan a 3600 RPM. Las curvas de potencia bruta se puede ver en [www.BRIGGSandSTRATTON.COM](http://www.BRIGGSandSTRATTON.COM). Los valores netos de potencia se toman con escape y filtro de aire instalado mientras que los valores de potencia total se recogen sin estos accesorios. La potencia total real del motor puede ser mayor que la potencia neta del motor y estar afectada por, entre otras cosas, condiciones ambientales de operación y variabilidad de motor a motor. Dado el amplio conjunto de productos en los cuales son puestos los motores, el motor a gas podría no desarrollar la potencia total nominal cuando sea usado en una parte dada del equipo acoplado. Esta diferencia se debe a una variedad de factores que incluyen, sin limitarse a, la variedad de componentes del motor (filtro de aire, sistema de escape, sistema de carga, sistema de enfriamiento, carburador, bomba de combustible, etc.), limitaciones de la aplicación, condiciones ambientales de operación (temperatura, humedad, altitud), y a la variabilidad de motor a motor. Debido a las limitaciones de fabricación y capacidad Briggs & Stratton puede sustituir este motor por un motor de potencia nominal más alta.


## Seguridad del Operario


### SÍMBOLOS DE SEGURIDAD Y CONTROL



El símbolo de aviso de seguridad  se utiliza para identificar la información de seguridad relacionada con los peligros que pueden ocasionar lesiones personales. Se señala con una palabra (PELIGRO, ADVERTENCIA o PRECAUCIÓN) con el símbolo de aviso para indicar la probabilidad de una lesión y su gravedad potencial. Además, un símbolo de peligro puede ser utilizado para representar el tipo de peligro.

 **PELIGRO** indica un peligro que si no es evitado, **ocasionará la muerte o heridas graves.**

 **ADVERTENCIA** indica un peligro que si no es evitado, **podría ocasionar la muerte o heridas graves.**

 **PRECAUCIÓN** indica un peligro que, si no es evitado, **podría ocasionar lesiones menores o moderadas.**

**NOTIFICACIÓN** indica una situación que **podría ocasionar daños al producto.**

### **ADVERTENCIA**

Ciertos componentes en este producto y sus accesorios relacionados contienen químicos que el Estado de California considera que ocasionan cáncer, defectos congénitos y otros daños en el aparato reproductivo. Lávese las manos después de manejarlos.

### **ADVERTENCIA**

La descarga de escape que expela este motor por este producto contiene químicos conocidos para el Estado de California que pueden ocasionar cáncer, defectos de nacimiento u otros daños que pueden ser perjudiciales para la reproducción.

### **ADVERTENCIA**

Los motores Briggs & Stratton no están diseñados ni deben ser utilizados para impulsar karts para diversión/recreo, vehículos para niños, recreacionales o vehículos deportivos todo terreno (ATVs), bicicletas motorizadas, aerodeslizadores, productos para aviación o vehículos para uso en eventos competitivos no autorizados por Briggs & Stratton. Para información acerca de productos para carreras de competencia refiérase a [www.briggsracing.com](http://www.briggsracing.com). Para la utilización con ATVs utilitarios y "lado a lado," por favor póngase en contacto con Briggs & Stratton Engine Application Center, 1-866-927-3349. La aplicación inadecuada del motor puede tener como resultado lesiones graves o incluso la muerte.

**NOTIFICACIÓN:** Este motor fue despachado de Briggs & Stratton sin aceite. Antes de darle arranque al motor, asegúrese de agregar aceite de acuerdo con las instrucciones de este manual. Si da arranque al motor sin que éste tenga aceite, se dañará hasta tal punto que no podrá ser reparado y no será cubierto por la garantía.



## ADVERTENCIA



**El combustible y sus vapores son extremadamente inflamables y explosivos.**



**Un incendio o una explosión pueden causar graves quemaduras o la muerte.**

### Quando Aprovechone con Combustible

- Apague el motor y deje que el motor se enfríe por lo menos 2 minutos antes de remover la tapa de combustible.
- Llene el tanque de combustible en exteriores o en un área bien ventilada.
- No llene demasiado el tanque de combustible. Para permitir la expansión del combustible no llene por encima de la parte inferior del cuello del tanque de combustible
- Mantenga el combustible a distancia de chispas, llamas abiertas, testigos piloto, calor y otras fuentes de encendido.
- Compruebe con frecuencia si existen grietas o fugas en las mangueras de combustible, el tanque, la tapa y en los accesorios. Cámbielos si es necesario
- Si se derramó combustible, espere hasta que se haya evaporado antes de darle arranque al motor.

### Quando le de Arranque al motor

- Asegúrese que la bujía, el mofle, la tapa de combustible y el filtro de aire (si está equipado) estén en su lugar, y firmemente asegurados.
- No haga girar el motor si removió la bujía.
- Si el motor se inunda, ajuste el estrangulador (si está equipado) en la posición OPEN/RUN, coloque el acelerador (si está equipado) en la posición FAST y haga girar el motor hasta que de arranque.

### Quando Opere El Equipo

- No incline el motor ni el equipo a un ángulo que pueda ocasionar derrames de combustible.
- No use el estrangulador para detener el motor.
- Nunca arranque u opere el motor si removió el conjunto del filtro de aire (si está equipado) o el filtro de aire (si está equipado).

### Quando cambie el aceite

- Si drena el aceite desde el tubo superior de llenado de aceite, el tanque de combustible debe estar vacío o de lo contrario podría presentarse una fuga de combustible que podría ocasionar un incendio o una explosión.

### Al inclinar la unidad para trabajos de mantenimiento

- Al realizar trabajos de mantenimiento que requieran inclinar la unidad, el tanque de combustible debe estar desocupado o podría haber una fuga de combustible y generar un incendio o una explosión.

### Quando Transporte el Equipo

- Transpórtelo con el tanque de combustible VACÍO o con la válvula de paso de combustible en la posición OFF.

### Quando Almacene el Combustible o el Equipo con Combustible en el Tanque

- Almacene a distancia de hornos, estufas, calentadores de agua u otros aparatos que utilicen testigos piloto u otras fuentes de encendido ya que estos pueden encender los vapores combustibles.



## ADVERTENCIA



**Dar arranque al motor crea chispeo.**



**El chispeo puede encender los gases inflamables cercanos.**

**Podría ocurrir una explosión o un incendio.**

- Si hay una fuga de gas natural o gas propano LP en el área, no le de arranque al motor.
- No use líquidos de arranque presurizado ya que los vapores son inflamables.



## ADVERTENCIA



**La retracción rápida de la cuerda de arranque (contragolpe) le halará la mano y el brazo hacia el motor más rápido de lo que usted la pueda dejar ir.**

**Podrían ocasionarse roturas de huesos, fracturas, moretones o torceduras.**

- Cuando le de arranque al motor, hale lentamente la cuerda hasta que se sienta resistencia y después hálela rápidamente para evitar un contragolpe.
- Remueva todas las cargas externas del equipo/motor antes de darle arranque al motor.
- Los componentes de acople directo del equipo tal como, pero sin limitarse a, cuchillas, impulsores, poleas, dientes de piñones, etc. se deben asegurar firmemente.



## ADVERTENCIA



**PELIGRO DEBIDO A GAS VENENOSO.** El escape del motor contiene monóxido de carbono, un gas venenoso que puede matarlo en cuestión de minutos. Usted **NO PUEDE** verlo, olerlo o probarlo. Incluso si usted no puede oler los vapores del escape, usted todavía puede estar expuesto al monóxido de carbono. Si usted comienza a sentirse enfermo, mareado, o débil mientras usa este producto, apáguelo y salga al aire fresco **INMEDIATAMENTE**. Consulte a un médico. Usted puede sufrir de intoxicación por monóxido de carbono.

- Opere este producto ÚNICAMENTE lejos de ventanas, puertas y rejillas de ventilación para reducir el riesgo de que se acumule el monóxido de carbono y que potencialmente resulte arrastrado hacia los espacios ocupados.
- Instale alarmas para monóxido de carbono que funcionen con baterías o alarmas insertables para monóxido de carbono con batería de respaldo, de acuerdo a las instrucciones del fabricante. Las alarmas de humo no pueden detectar el monóxido de carbono.
- NO haga funcionar este producto dentro de hogares, garajes, sótanos, espacios para acceso, casetas u otros espacios parcialmente cerrados, incluso si se usan ventiladores o se abran las puertas y ventanas para propósitos de ventilación. El monóxido de carbono puede acumularse rápidamente en estos espacios y puede persistir durante horas, incluso después de que se haya apagado este producto.
- SIEMPRE coloque este producto a favor del viento y apunte el escape del motor lejos de espacios ocupados.



## ADVERTENCIA



**Las partes rotantes pueden tener contacto o enredar las manos, los pies, el cabello, la ropa o los accesorios.**



**Puede producirse una traumática amputación o una grave laceración.**

- Opere el equipo con los protectores en su lugar.
- Mantenga sus manos y sus pies a distancia de las partes rotantes.
- Recójase el cabello largo y quítese las joyas.
- No use ropa floja, tiras que cuelguen ni artículos que puedan ser agarrados.



## ADVERTENCIA



**El funcionamiento de los motores produce calor. Las partes de los motores, especialmente el mofle, se calientan demasiado.**



**Pueden ocurrir graves quemaduras a causa de su contacto.**



**Desechos combustibles, tal como hojas, grama, maleza, etc. pueden alcanzar a encenderse.**

- Deje que el mofle, el cilindro y las aletas del motor se enfríen antes de tocarlos.
- Remueva los desechos acumulados en el área del mofle y en el área del cilindro.
- Usar u operar el motor en un terreno que contenga bosques, arbustos o pasto es una violación al Código de Recursos Públicos de California, Sección 4442, a menos que el sistema de escape esté equipado con un atrapachispas, según se define en la Sección 4442, mantenido en excelente estado de funcionamiento. Otros estados o jurisdicciones federales pueden tener leyes similares. Contacte al fabricante, comerciante o distribuidor del equipo original para obtener un atrapachispas diseñado para el sistema de escape instalado en este motor.



## ADVERTENCIA



**Un chispeo involuntario puede producir un incendio o una descarga eléctrica.**



**Una puesta en marcha involuntaria puede ocasionar un enredo, una amputación traumática o una laceración.**



**Peligro de incendio**



### Antes de hacer ajustes o reparaciones:

- Desconecte el cable de la bujía y mántegalo a distancia de la bujía.
- Desconecte la batería en la terminal negativa (únicamente motores con arranque eléctrico).
- Use únicamente las herramientas correctas.
- No manipule los resortes del regulador, las varillas u otras partes para incrementar la velocidad del motor.
- Los repuestos deben ser del mismo diseño y ser instalados en la misma posición que tenían las partes originales. Es posible que otros repuestos no funcionen tan bien, dañen la unidad y hasta pueden ocasionar lesiones.
- No golpee la volante con un martillo ni con un objeto pesado ya que la volante podría astillarse más adelante durante la operación.

### Quando compruebe chispa:

- Utilice un probador aprobado.
- No compruebe chispa si removió la bujía.

# Características y Controles

Compare la ilustración **1** con su motor para que se familiarice con la localización de las diversas características y controles.

- A. Identificación del motor  
**Modelo, Tipo y Código. Ejemplo:**
- B. Bujía
- C. Filtro de Aire, Ciclónico
- D. Filtro de Aire, Bajo Perfil
- E. Varilla Indicadora Nivel de Aceite
- F. Llenado de Aceite
- G. Filtro de Aceite
- H. Tapón Drenaje Aceite
- I. Sensor de Presión de Aceite
- J. Protector de Dedos
- K. Arranque eléctrico
- L. Solenoide de Arranque
- M. Regulador/Rectificador
- N. Carburador
- O. Refrigerador de Aceite (opcional)
- P. Mofle (opcional)
- Q. Bomba de combustible
- R. Suiche de Arranque \*
- S. Control del Acelerador \*
- T. Control del estrangulador (para \*)
- U. Filtro de Combustible (opcional)

\* Algunos motores y equipos tienen controles remotos. Vea el manual del equipo para la ubicación y operación de los controles remotos.

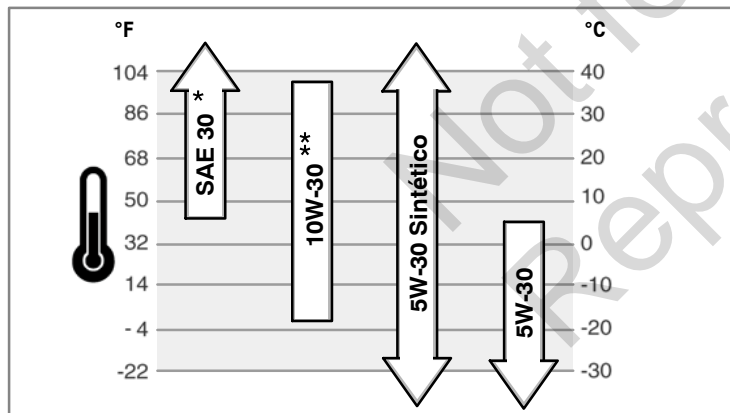
## Operación

Capacidad de aceite (consulte la sección de **Especificaciones**)

### Recomendaciones de Aceite

Recomendamos el uso de aceites Briggs & Stratton Warranty Certified para obtener el mejor desempeño. Otros aceites detergentes de alta calidad son aceptables si están clasificados para servicio SF, SG, SH, SJ o mayores. No utilice aditivos especiales.

Las temperaturas externas determinan la viscosidad adecuada del aceite para el motor. Utilice la tabla para seleccionar la mejor viscosidad según el rango de temperatura externa esperado.



\* Si se utiliza SAE 30 a una temperatura inferior a los 40°F (4°C) se producirá un arranque difícil.

\*\* Si se utiliza 10W-30 a una temperatura superior a los 80°F (27°C) se podrá ocasionar un mayor consumo de aceite. Verifique el nivel de aceite con mayor frecuencia.

### Cómo Comprobar/Añadir Aceite - Figura 2

Antes de añadir o comprobar el nivel de aceite

- Coloque el motor a nivel.
  - Limpie el área de llenado de aceite de todo desecho.
1. Remueva la varilla indicadora de nivel de aceite (A) y límpiela con un trapo limpio (Figura 2).
  2. Inserte y apriete la varilla indicadora de nivel de aceite.
  3. Remueva la varilla indicadora de nivel de aceite y compruebe el nivel de aceite. El aceite debe llegar arriba del indicador de (B) en la varilla indicadora de nivel de aceite.
  4. Si el nivel de aceite es bajo, agregue aceite lentamente por dentro del tubo de llenado de aceite (C). **No lo llene excesivamente.** Después de añadir aceite, espere un minuto y vuelva a comprobar el nivel de aceite.
  5. Coloque y apriete la varilla indicadora de nivel de aceite.

### Sistema de protección contra bajo nivel de aceite (si está equipado)

Algunos motores están equipados con un sensor de bajo nivel de aceite. Si el nivel de aceite es bajo, el sensor o activará una luz de advertencia o detendrá el motor. Pare el motor y siga estos pasos antes de volverlo a arrancar.

- Asegúrese que el motor esté nivelado.
- Verifique el nivel de aceite. Consulte la sección **Cómo verificar/Agregar aceite.**
- Si el nivel de aceite es bajo, añada la cantidad apropiada de aceite. Arranque el motor y compruebe que la luz de advertencia (si está equipada) no quede encendida.
- Si el nivel de aceite no está en bajo **no dé arranque** al motor. Contacte un Distribuidor Autorizado Briggs & Stratton para corregir el problema de presión de aceite.

### Recomendaciones para el Combustible

El combustible debe cumplir con estos requerimientos:

- gasolina limpia, fresca y libre de plomo.
- Un mínimo de 87 octanos/87 AKI (91 RON). Vea a continuación si se usa a alta altitud.
- El uso de gasolina hasta con el 10% de ethanol (gasohol) es aceptable.

**PRECAUCIÓN:** No use gasolina que no haya sido aprobada, tal como E15 ó E85. No mezcle el aceite con la gasolina, ni modifique el motor para operarlo con combustibles alternos. La utilización de combustibles inapropiados dañará los componentes del motor e **invalidará la garantía del motor.**

Para proteger el sistema de combustible de la formación de depósitos de goma, mézclele un estabilizador de combustible cuando le añada combustible. Consulte el aparte: **Bodegaje.** Todos los combustibles no son los mismos. Si se presentan problemas de arranque o de rendimiento cambie de proveedor de combustible o de marca. Este motor está certificado para operar con gasolina. El sistema de control de emisiones para este motor es EM (Modificaciones del Motor).

### Alta Altitud

A alturas superiores a 5,000 pies (1524 metros), es aceptable una gasolina con un mínimo de 85 octanos/85 AKI (89 RON). Es necesario realizar ajustes para uso en altura para seguir cumpliendo con los límites de emisiones. Si no se realiza este ajuste, podría disminuir el desempeño y aumentar el consumo de combustible y las emisiones. Para obtener información sobre el ajuste para uso en altura, consulte con un Distribuidor de Servicio Autorizado Briggs & Stratton.

No se recomienda operar el motor a altitudes inferiores a 2.500 pies (762 metros) con el kit para alta altitud.

### Cómo Añadir Combustible - Figura 3



#### ADVERTENCIA



El combustible y sus vapores son extremadamente inflamables y explosivos.



Un incendio o una explosión pueden causar graves quemaduras o la muerte.

#### Cuando Aprovechamiento con Combustible

- Apague el motor y deje que el motor se enfríe por lo menos 2 minutos antes de remover la tapa de combustible.
- Llène el tanque de combustible en exteriores o en un área bien ventilada.
- No llene demasiado el tanque de combustible. Para permitir la expansión del combustible no llene por encima de la parte inferior del cuello del tanque de combustible
- Mantenga el combustible a distancia de chispas, llamas abiertas, testigos piloto, calor y otras fuentes de encendido.
- Compruebe con frecuencia si existen grietas o fugas en las mangueras de combustible, el tanque, la tapa y en los accesorios. Cámbielos si es necesario
- Si se derramó combustible, espere hasta que se haya evaporado antes de darle arranque al motor.

1. Limpie el área de la tapa de combustible de polvo y desechos. Retire la tapa de combustible (A). (Figura 3).
2. Llène el tanque de combustible (B) con combustible. Para permitir la expansión de la gasolina, no lo llene por encima de la parte inferior del cuello del tanque de combustible (C).
3. Re-instale la tapa de combustible.

### Cómo Darle Arranque al Motor - Figura 4



#### ADVERTENCIA



El combustible y sus vapores son extremadamente inflamables y explosivos.



Un incendio o una explosión pueden causar graves quemaduras o la muerte.

#### Cuando le de Arranque al motor

- Asegúrese que la bujía, el mofle, la tapa de combustible y el filtro de aire (si está equipado) estén en su lugar, y firmemente asegurados.
- No haga girar el motor si removió la bujía.
- Si el motor se inunda, ajuste el estrangulador (si está equipado) en la posición OPEN/RUN, coloque el acelerador (si está equipado) en la posición FAST y haga girar el motor hasta que de arranque.



## ADVERTENCIA

**PELIGRO DEBIDO A GAS VENENOSO.** El escape del motor contiene monóxido de carbono, un gas venenoso que puede matarlo en cuestión de minutos. Usted **NO PUEDE** verlo, olerlo o probarlo. Incluso si usted no puede oler los vapores del escape, usted todavía puede estar expuesto al monóxido de carbono. Si usted comienza a sentirse enfermo, mareado, o débil mientras usa este producto, apáguelo y salga al aire fresco **INMEDIATAMENTE**. Consulte a un médico. Usted puede sufrir de intoxicación por monóxido de carbono.

- Opere este producto ÚNICAMENTE lejos de ventanas, puertas y rejillas de ventilación para reducir el riesgo de que se acumule el monóxido de carbono y que potencialmente resulte arrastrado hacia los espacios ocupados.
- Instale alarmas para monóxido de carbono que funcionen con baterías o alarmas insertables para monóxido de carbono con batería de respaldo, de acuerdo a las instrucciones del fabricante. Las alarmas de humo no pueden detectar el monóxido de carbono.
- NO haga funcionar este producto dentro de hogares, garajes, sótanos, espacios para acceso, casetas u otros espacios parcialmente cerrados, incluso si se usan ventiladores o se abran las puertas y ventanas para propósitos de ventilación. El monóxido de carbono puede acumularse rápidamente en estos espacios y puede persistir durante horas, incluso después de que se haya apagado este producto.
- SIEMPRE coloque este producto a favor del viento y apunte el escape del motor lejos de espacios ocupados.

**NOTIFICACIÓN:** Este motor fue despachado de Briggs & Stratton sin aceite. Antes de darle arranque al motor, asegúrese de agregar aceite de acuerdo con las instrucciones de este manual. Si da arranque al motor sin que éste tenga aceite, se dañará hasta tal punto que no podrá ser reparado y no será cubierto por la garantía.

**Nota:** Algunos motores y equipos tienen controles remotos. Vea el manual del equipo para la ubicación y operación de los controles remotos.

1. Compruebe el nivel de aceite. Vea la sección **Cómo Comprobar/Añadir Aceite**.
2. Asegúrese de que los controles de accionamiento del equipo, si está equipado, se encuentren desengranados.
3. Gire la válvula de cierre de combustible (A), si está equipada, hacia la posición on (Figura 4).
4. Mueva el control del acelerador (B) hacia la posición fast . Opere el motor en la posición fast .
5. Deslice el control del estrangulador (C), si está equipado, a la posición choke.  
**Nota:** Para dar arranque al motor con un sistema de combustible seco (arranque por primera vez o luego de agotarse el combustible), se hará necesario tiempo de arranque adicional en la posición choke . Esto le dará tiempo a la bomba de combustible para cebar el sistema de combustible.
6. Mueva el suiche de parada (D), si está equipado, a la posición on.
7. Gire el suiche del arranque eléctrico (E) hacia la posición on/Start (Figura 4).
8. Si el motor arranca pero no continúa funcionando, mueva el control del estrangulador (C) a la posición run para dar arranque al motor.

**NOTIFICACIÓN:** Para prolongar la duración del arrendador, utilice ciclos de arranque cortos (máximo de cinco segundos). Espere un minuto entre ciclos de arranque.

**Nota:** Si el motor no arranca después de varios intentos, visite [VanguardEngines.com](http://VanguardEngines.com) o llame al **1-800-999-9333** (en los EE.UU.).

9. A medida que el motor se calienta, mueva el control del estrangulador (C) a la posición run .

## Cómo Detener el Motor - Figura 4



## ADVERTENCIA



**El combustible y sus vapores son extremadamente inflamables y explosivos.**



**Un incendio o una explosión pueden causar graves quemaduras o la muerte.**

- No use el estrangulador para detener el motor.

1. Mueva el control del acelerador hacia la posición slow, gire el suiche de llave (E) hacia la posición off (Figura 4). Retire la llave y guárdela en un lugar seguro fuera del alcance de los niños.
2. Mueva el suiche de parada (D), si está equipado, a la posición off.
3. Después de que se detenga el motor, gire la válvula de cierre de combustible (A), si está equipada, a la posición cerrada.

es

# Mantenimiento

Recomendamos que contacte a cualquier Distribuidor Autorizado de Briggs & Stratton para todo lo relacionado con el mantenimiento y el servicio del motor y sus partes.

**NOTIFICACIÓN:** Todos los componentes utilizados para fabricar este motor deben mantenerse en su lugar para una correcta operación.



## ADVERTENCIA:

Al realizar trabajos de mantenimiento que requieran inclinar la unidad, el tanque de combustible debe estar desocupado o podría haber una fuga de combustible y generar un incendio o una explosión.

## Control de Emisiones

**El mantenimiento, cambio o reparación de los dispositivos y sistemas del control de emisiones pueden ser realizados por cualquier establecimiento o persona que repare motores todo terreno.** Sin embargo, para obtener servicio de control de emisiones "sin costo", la labor debe ser realizada por un distribuidor autorizado por la fábrica. Vea la Garantía de Emisiones.



## ADVERTENCIA



**Un chispeo involuntario puede producir un incendio o una descarga eléctrica.**



**Una puesta en marcha involuntaria puede ocasionar un enredo, una amputación traumática o una laceración.**



**Peligro de incendio**

**Antes de hacer ajustes o reparaciones:**

- Desconecte el cable de la bujía y mántegalo a distancia de la bujía.
- Desconecte la batería en la terminal negativa (únicamente motores con arranque eléctrico).
- Use únicamente las herramientas correctas.
- No manipule los resortes del regulador, las varillas u otras partes para incrementar la velocidad del motor.
- Los repuestos deben ser del mismo diseño y ser instalados en la misma posición que tenían las partes originales. Es posible que otros repuestos no funcionen tan bien, dañen la unidad y hasta pueden ocasionar lesiones.
- No golpee la volante con un martillo ni con un objeto pesado ya que la volante podría astillarse más adelante durante la operación.

**Cuando compruebe chispa:**

- Utilice un probador aprobado.
- No compruebe chispa si removió la bujía.

## Cuadro de Mantenimiento

### Las Primeras 5 horas

- Cambie aceite

### Cada 8 Horas o Diariamente

- Compruebe el nivel de aceite del motor.
- Limpie el área alrededor del mofle y los controles

### Cada 100 horas o anualmente

- Limpie o cambie el filtro de aire \* ▲
- Cambie el aceite y el filtro del motor
- Limpie el pre-filtro (si está equipado) \*
- Cambie la bujía
- Compruebe el mofle y el atrapachispas

### Cada 250 horas o anualmente

- Compruebe la tolerancia de la válvula. Ajuste si es necesario.

### Cada 400 horas o anualmente

- Cambie el filtro de aire ▲
- Reemplace el filtro de combustible
- Limpie el sistema de enfriamiento de aire \*
- Limpie las aletas refrigerantes de aceite \*

### Cada 600 horas o anualmente

- Cambie el filtro de seguridad (si está equipado)

\* Limpie con mayor frecuencia en condiciones de mucho polvo o cuando el aire contenga muchas partículas.

▲ Cada tercer cambio del filtro de aire, reemplace el filtro interno de seguridad (si está equipado).

## Ajuste del carburador y de la velocidad del motor

Nunca haga ajustes al carburador o a la velocidad del motor. El carburador fue ajustado en fábrica para operar eficientemente bajo la mayoría de las condiciones. No interfiera con el resorte del regulador, las varillas u otras partes para cambiar la velocidad del motor. Si son necesarios ajustes póngase en contacto con un Centro de Servicio Autorizado de Briggs & Stratton para que le presten el servicio.

**AVISO:** El fabricante del equipo especifica la velocidad máxima para el motor tal como ha sido instalado en el equipo. **No exceda** esta velocidad. Si no está seguro de cuál es la velocidad máxima del equipo, o cuál era la velocidad del motor ajustada en la fábrica, póngase en contacto con un Centro de Servicio Autorizado de Briggs & Stratton para obtener ayuda. Para un funcionamiento seguro y adecuado del equipo, la velocidad del motor debe ser ajustada solamente por un técnico de servicio calificado.

## Cómo Cambiar la Bujía - Figura 5

Compruebe el entrehierro (A, Figura 5) con un calibrador de alambre (B). Si es necesario, reajuste el entrehierro. Instale y apriete la bujía al par de torsión recomendado. Para el ajuste del entrehierro o el par de torsión, consulte la sección de **Especificaciones**.

**Nota:** En algunas áreas, las leyes locales requieren el uso de una bujía con resistencia para suprimir las señales de encendido. Si este motor vino originalmente equipado con una bujía con resistencia, utilice el mismo tipo de bujía cuando la reemplace.

## Inspección del Mofle y el Atrapachispas - Figura 6



### ADVERTENCIA



El funcionamiento de los motores produce calor. Las partes de los motores, especialmente el mofle, se calientan demasiado.

Pueden ocurrir graves quemaduras a causa de su contacto.



Desechos combustibles, tal como hojas, grama, maleza, etc. pueden alcanzar a encenderse.

- Deje que el mofle, el cilindro y las aletas del motor se enfríen antes de tocarlos.
- Remueva los desechos acumulados en el área del mofle y en el área del cilindro.
- Constituye una violación del Código de Recursos Públicos de California, Sección 4442, el utilizar u operar el motor en terrenos cubiertos con bosques, maleza o grama, a menos que el sistema de escape esté equipado con un atrapachispas, tal como se define en la Sección 4442, mantenido en correcto orden de funcionamiento. Otros estados pueden tener leyes similares. Póngase en contacto con el fabricante, minorista o distribuidor del equipo original para obtener un atrapachispas diseñado para el sistema de escape instalado en este motor.

Remueva los desechos acumulados en el área del mofle y en el área del cilindro. Inspeccione el mofle (A, Figura 6) en busca de grietas, corrosión u otros daños. Remueva el atrapachispas (B), en caso de estar equipado, e inspeccione en búsqueda de daños u obstrucciones de carbón. Si se encuentran daños, instale los repuestos antes de operar.



**ADVERTENCIA:** Los repuestos deben ser del mismo diseño y ser instalados en la misma posición que tenían las partes originales. Es posible que otros repuestos no funcionen tan bien, dañen la unidad y hasta pueden ocasionar lesiones.

## Cómo Cambiar el Aceite - Figura 7

El aceite usado es un producto de desecho peligroso y debe ser desechado en forma apropiada. No lo descarte en la basurera de la casa. Verifique con sus autoridades locales, con el centro de servicio, o con su distribuidor para obtener información acerca de las facilidades seguras para su destrucción/reciclaje.

### Remoción del Aceite

1. Con el motor apagado pero aún caliente, desconecte el cable de la bujía (A) y manténgalo a distancia de la bujía (Figura 7).
2. Remueva el tapón de drenaje de aceite (B). Drene el aceite a un recipiente aprobado.
3. Después de haber drenado el aceite del motor, instale y apriete el tapón de drenaje de aceite.

### Cambio del Filtro de Aceite

Todos los modelos están equipados con un filtro de aceite. Para consultar cada cuánto deben ser reemplazados, vea la tabla de **Mantenimiento**.

1. Drene el aceite del motor. Consulte la sección **Remoción del Aceite**.
2. Remueva el filtro de aceite (C, Figura 7) y deséchelo de manera adecuada.
3. Antes de instalar el nuevo filtro de aceite, lubrique un poco el empaque del filtro de aceite con aceite fresco y limpio.
4. Instale manualmente el filtro de aceite de hasta que el empaque haga contacto con el adaptador del filtro de aceite, luego apriete el filtro de aceite dándole 1/2 a 3/4 vueltas.
5. Agregue aceite. Consulte la sección **Aprovisionamiento de Aceite**.
6. De arranque y opere el motor. A medida que el motor se caliente compruebe que no presente fugas de aceite.
7. Detenga el motor y compruebe el nivel de aceite. El aceite debe llegar arriba del indicador de (F) en la varilla indicadora de nivel de aceite.

## Aprovisionamiento de Aceite

- Coloque el motor a nivel.
  - Limpie el área de llenado de aceite de todo desecho.
  - Consulte la sección de **Especificaciones** para la capacidad de aceite.
1. Remueva la varilla indicadora de nivel de aceite (D, Figura 7) y límpiela con un trapo limpio.
  2. Vierta el aceite lentamente por dentro del tubo de llenado de aceite (E). **No lo llene excesivamente**. Después de añadir aceite, espere un minuto y vuelva a comprobar el nivel de aceite.
  3. Coloque y ajuste la varilla indicadora.
  4. Remueva la varilla indicadora de nivel de aceite y compruebe el nivel de aceite. El aceite debe llegar arriba del indicador de (F) en la varilla indicadora de nivel de aceite.
  5. Coloque y ajuste la varilla indicadora.

## Cómo Darle Servicio al Filtro de Aire - Figura 8 9



### ADVERTENCIA



El combustible y sus vapores son extremadamente inflamables y explosivos.



Un incendio o una explosión pueden causar graves quemaduras o la muerte.

- Nunca arranque u opere el motor si removió el conjunto del filtro de aire o el filtro de aire.

**NOTIFICACIÓN:** No use aire a presión ni solventes para limpiar el filtro. El aire a presión puede dañar el filtro y los solventes pueden disolverlo.

El sistema del filtro de aire utiliza un filtro de aire ciclónico o un filtro de aire de bajo perfil. Consulte la **Tabla de Mantenimiento** para los requerimientos de servicio.

### Sistema de Filtro de Aire Ciclónico

1. Abra los seguros (A) y remueva la tapa (B). Vea Figura 8.
2. Remueva el filtro de aire (C).
3. Para aflojar los desechos, golpee suavemente el filtro sobre una superficie dura. Si el filtro está excesivamente sucio, reemplácelo con un nuevo filtro.
4. El sistema del filtro de aire ciclónico también tiene un filtro de seguridad (D) (si está equipado). Consulte la **Tabla de Mantenimiento** para los requerimientos de servicio. Para remover, hale cuidadosamente el filtro de seguridad alejándolo del cuerpo del filtro de aire (E) y deséchelo. Asegúrese de que no entren mugre ni desechos al motor.
5. Instale el nuevo filtro de seguridad en el cuerpo del filtro de aire.
6. Instale el filtro de aire sobre el filtro de seguridad.
7. Instale la tapa y cierre los seguros.

### Sistema de Filtro de Aire de Bajo Perfil

1. Remueva la perilla (F) y la tapa (G). Vea Figura 9.
2. Remueva la tuerca (H) y el retenedor (J).
3. Remueva el filtro de aire (K).
4. Remueva el pre-filtro (L), si está equipado, del filtro de aire.
5. Para aflojar los desechos, golpee suavemente el filtro sobre una superficie dura. Si el filtro está excesivamente sucio, reemplácelo con un nuevo filtro.
6. Lave el pre-filtro en detergente líquido y agua. Luego permita que se seque completamente al aire. **No** aceite el pre-filtro.
7. Instale el pre-filtro seco sobre el filtro de aire.
8. Instale el filtro de aire y asegúrelo con el retenedor y la tuerca.
9. Instale la tapa y asegúrela con la perilla.

## Cómo Limpiar el Sistema de Enfriamiento de Aire - Figura 11 12



### ADVERTENCIA



El funcionamiento de los motores produce calor. Las partes de los motores, especialmente el mofle, se calientan demasiado.



Pueden ocurrir graves quemaduras a causa de su contacto.

Desechos combustibles, tal como hojas, grama, maleza, etc. pueden alcanzar a encenderse.

- Deje que el mofle, el cilindro y las aletas del motor se enfríen antes de tocarlos.
- Remueva los desechos acumulados en el área del mofle y en el área del cilindro.

**NOTIFICACIÓN:** No use agua para limpiar el motor. El agua podría contaminar el sistema de combustible. Utilice un cepillo o un trapo seco para limpiar el motor. Este es un motor enfriado por aire. Las suciedades o los desechos pueden restringir el flujo de aire y ocasionar recalentamiento en el motor, produciendo un desempeño pobre y una vida del motor reducida.

Utilice un cepillo o un trapo seco para remover los desechos del protector de dedos (A, Figura 11). Mantenga las varillas, los resortes y los controles (B) limpios. Mantenga el área alrededor y por detrás del mofle (C) libre de todo desecho combustible. Asegúrese de que las aletas de enfriamiento del aceite (D) estén libres de mugre y de desechos. Limpie el área por debajo del panel (E, Figura 12). Afloje los dos tornillos (F) hasta que escuche un clic. Remueva el panel y limpie el área de mugre y desechos. Asegúrese de que la parte inferior del panel también esté limpia. Instale el panel y apriete los tornillos hasta que escuche un clic.



## Cómo reemplazar el filtro de combustible - Figura 10



### ADVERTENCIA



El combustible y sus vapores son extremadamente inflamables y explosivos.



Un incendio o una explosión pueden causar graves quemaduras o la muerte.

- Mantenga el combustible a distancia de chispas, llamas abiertas, testigos piloto, calor y otras fuentes de encendido.
- Compruebe con frecuencia si existen grietas o fugas en las mangueras de combustible, el tanque, la tapa y en los accesorios. Cámbielos si es necesario.
- Antes de reemplazar el filtro, drene el tanque de combustible o cierre la válvula de paso de combustible.
- Los repuestos deben ser iguales e instalarse en la misma posición que tenían las partes originales.
- Si se derramó combustible, espere hasta que se haya evaporado antes de darle arranque al motor.

1. Antes de reemplazar el filtro de combustible (A, Figura 10), si está equipado, drene el tanque de combustible o cierre la válvula de cierre de combustible. De no hacerlo, podría presentarse una fuga de combustible y generar un incendio o una explosión.
2. Utilice alicates para apretar las pestañas (B) en las abrazaderas (C). Luego aleje las abrazaderas del filtro de combustible. Gire y hale las mangueras de combustible (D) separándolas del filtro de combustible.
3. Revise las mangueras de combustible para comprobar si hay grietas o fugas. Reemplácelas en caso de ser necesario.
4. Reemplace el filtro de combustible con un filtro de repuesto genuino.
5. Asegure las mangueras de combustible con las abrazaderas según lo indicado.

## Bodegaje



### ADVERTENCIA



El combustible y sus vapores son extremadamente inflamables y explosivos.



Un incendio o una explosión pueden causar graves quemaduras o la muerte.

#### Quando Almacene el Combustible o el Equipo con Combustible en el Tanque

- Almacene a distancia de hornos, estufas, calentadores de agua u otros aparatos que utilicen testigos piloto u otras fuentes de encendido ya que estos pueden encender los vapores combustibles.

### Sistema de Combustible

El combustible puede pasarse si se lo almacena por más de 30 días. El combustible pasado provoca la formación de depósitos de ácido y goma en el sistema de combustible o en partes esenciales del carburador. Para mantener el combustible fresco, utilice el **Estabilizador y tratamiento de combustible con fórmula avanzada de Briggs & Stratton**, disponible donde se venden partes de servicio legítimas de Briggs & Stratton.

Para motores equipados con una tapa de combustible FRESH START®, utilice el estabilizador de combustible **FRESH START®** de Briggs & Stratton, disponible en forma de cartucho concentrado de goteo.

Si el estabilizador se agrega de acuerdo a las instrucciones, no es necesario drenar la gasolina del motor. Haga andar el motor durante 2 minutos par hacer circular el estabilizador por el sistema de combustible antes de proceder al almacenamiento.

Si la gasolina en el motor no ha sido tratada con un estabilizador de combustible, debe ser drenada a un recipiente aprobado. Deje que el motor opere hasta que se detenga por la falta de combustible. Se recomienda el uso de un estabilizador de combustible en el recipiente de almacenamiento para mantener la frescura.

### Aceite del Motor

Cambie el aceite del motor mientras que el motor se encuentre todavía caliente.

### Detección de Fallas

¿Necesita Asistencia? Vaya a [VanguardEngines.com](http://VanguardEngines.com) o marque el teléfono **1-800-999-9333** (en los EE.UU.).

## Especificaciones

### Especificaciones del Motor

Modelo	540000
Desplazamiento	54,68 in <sup>3</sup> (896 cm <sup>3</sup> )
Diámetro Interno del Cilindro	3,366 in (85,5 mm)
Carrera	3,071 in (78,0 mm)
Capacidad de Aceite	78 - 80 oz (2,3 - 2,4 L)

### Especificaciones del Motor

Modelo	610000
Desplazamiento	60,60 in <sup>3</sup> (993 cm <sup>3</sup> )
Diámetro Interno del Cilindro	3,366 in (85,5 mm)
Carrera	3,406 in (86,5 mm)
Capacidad de Aceite	78 - 80 oz (2,3 - 2,4 L)

### Especificaciones de Ajuste \*

Modelo	540000
Entrehierro de la Bujía	0,030 in (0,76 mm)
Par de Torsión de la Bujía	180 lb-in (20 Nm)
Entrehierro Inducido	0,005 - 0,008 in (0,13 - 0,20 mm)
Tolerancia de la Válvula de Admisión	0,004 - 0,006 in (0,10 - 0,15 mm)
Tolerancia de la Válvula de Escape	0,004 - 0,006 in (0,10 - 0,15 mm)

### Especificaciones de Ajuste \*

Modelo	610000
Entrehierro de la Bujía	0,030 in (0,76 mm)
Par de Torsión de la Bujía	180 lb-in (20 Nm)
Entrehierro Inducido	0,005 - 0,008 in (0,13 - 0,20 mm)
Tolerancia de la Válvula de Admisión	0,004 - 0,006 in (0,10 - 0,15 mm)
Tolerancia de la Válvula de Escape	0,004 - 0,006 in (0,10 - 0,15 mm)

\* La potencia del motor disminuirá 3.5% por cada 1,000 pies (300 metros) sobre el nivel del mar y un 1% por cada 10° F (5.6° C) por encima de 77° F (25° C). El motor operará satisfactoriamente a un ángulo de hasta 15°. Refiérase al manual del operador del equipo para obtener información acerca de los límites de operación permitidos en pendientes.

### Partes de Servicio Comunes

Parte de Servicio	Numero de parte
Filtro de aire, Ciclónico	841497
Filtro de seguridad, Ciclónico	821136
Filtro de bajo perfil	692519
Pre-filtro de bajo perfil	692520
Aceite - SAE 30	100028
Filtro de Aceite	842921

Parte de Servicio	Numero de parte
Filtro de Combustible	691035
Aditivo de Combustible	5041, 5058
Bujía con Resistencia	491055
Bujía de Platino de Larga Vida	5066
Llave de Bujía	19374
Probador de Chispa	19368

✓ Recomendamos que contacte a cualquier Distribuidor de Servicio Autorizado Briggs & Stratton para todo lo relacionado con el mantenimiento y el servicio del motor y sus partes.

**GARANTIA LIMITADA**

Briggs & Stratton Corporation garantiza que durante el período de garantía especificado más adelante reparará o reemplazará, sin costo alguno, cual(es)quier parte(s) del motor considerada(s) como defectuosas en material, mano de obra o ambos. Los gastos de transporte del producto sometido a reparación o cambio bajo esta Garantía deben ser abonados por el comprador. Esta garantía tiene vigencia y está sujeta a los períodos y condiciones establecidos a continuación. Para recibir servicio de garantía, contacte el Distribuidor de Servicio Autorizado más cercano en nuestro mapa de localización de distribuidores en BRIGGSandSTRATTON.COM. El comprador debe ponerse en contacto con el Distribuidor de Servicio Autorizado, y luego poner el producto a disposición del Distribuidor de Servicio Autorizado para la inspección y pruebas.

**No existe ninguna otra garantía expresa. Las garantías implícitas, incluso aquellas de mercantilidad o adaptabilidad para un fin determinado quedan limitadas a un año a partir de la fecha de compra o a la extensión permitida por la ley, quedando excluidas todas las demás garantías implícitas. la responsabilidad por daños fortuitos o consecuentes bajo cualquier y todas las garantías queda excluida en la medida que dicha exclusión sea permitida por la ley.** Algunos países o estados no contemplan limitaciones en cuanto a la duración de una garantía implícita, y otros países o estados no permiten la exclusión o limitación de daños consecuentes o incidentales, en cuyo caso la limitación y la exclusión anteriores pueden no ser aplicables para usted. Esta garantía le da derechos legales específicos, pudiendo tener a su vez otros derechos que varían de un estado a otro y de un país a otro \*\*.

**TÉRMINOS ESTÁNDAR PARA GARANTÍA \* ▲**

Marca/Tipo de Producto	Uso Privado	Uso Comercial
Vanguard™ ■	3 años	3 años
Serie comercial para césped™	2 años	2 años
Serie Larga Vida™; I/C®; Intek™ I/C®, Intek™ Pro;™ Serie Professional™ con Funda de Hierro Colado Dura-Bore™; Serie 850™ con Funda de Hierro Colado Dura-Bore™; Serie Snow MAX™ con Funda de Hierro Colado Dura-Bore™ Todos los otros motores Briggs & Stratton que incorporan Funda de Hierro Colado Dura-Bore™	2 años	1 año
Todos los otros motores Briggs & Stratton	2 años	90 días

- \* Éstos son nuestros términos de garantía estándares, pero de vez en cuando puede existir una cobertura adicional de la garantía que no fue determinada en el momento de la publicación. Para obtener un listado de los términos de garantía corrientes para su motor, vaya a BRIGGSandSTRATTON.COM o póngase en contacto con su Distribuidor de Servicio autorizado de Briggs & Stratton.
- \*\* En Australia - Nuestros productos cuentan con garantías que no pueden ser excluidas en virtud de la Ley del Consumidor de Australia. Usted tiene derecho a un reemplazo o un reembolso en caso de una falla grave y a una compensación por cualquier pérdida o daño razonablemente previsible. Usted también tiene derecho a que se le reparen o reemplacen los productos si no son de calidad aceptable y la falla no tiene como consecuencia una falla grave. Para el servicio en garantía, ubique el Distribuidor de Servicio Autorizado más cercano en nuestro mapa de ubicación de distribuidores en BRIGGSandSTRATTON.COM, o llamando al 1300 274 447, o enviando un correo electrónico o una carta a salesenquiries@briggsandstratton.com.au, Briggs & Stratton Australia Pty Ltd, 1 Moorebank Avenue, Moorebank, NSW, Australia, 2170.
- ▲ Aplicaciones de Generadores Domésticos: 2 años como garantía del consumidor solamente. No hay garantía comercial. Esta garantía no se aplica a motores en vehículos usados para energía principal en lugar de un servicio. **Los motores usados en eventos competitivos o en pistas comerciales o de renta no están cubiertos por la garantía.**
- Vanguard instalado en generadores standby: 2 años de uso por el consumidor, la garantía solo aplica para generadores en uso privado. Vanguard instalado en vehículos de servicio: 2 años de uso por el consumidor, 2 años para uso comercial. Para Vanguard de 3 cilindros enfriado por líquido: ver la Póliza de Garantía para Motor 3/LC de Briggs & Stratton.

El período de garantía comienza a partir de la fecha en la cual lo compró el consumidor detallista original o usuario final comercial, y continúa por el período de tiempo establecido en la tabla anterior. "Uso privado" significa uso doméstico personal por el consumidor detallista original. "Uso Comercial" significa todos los otros usos, incluyendo fines comerciales o que produzcan ingresos o renta. Una vez que el motor haya experimentado uso comercial, será considerado en adelante como motor de uso comercial para fines de esta garantía.

**No es necesario registrar la garantía para obtener servicio en los productos Briggs & Stratton. Guarde su recibo de compra. Si no aporta la prueba de la fecha de compra inicial, se utilizará la fecha de fabricación del producto para determinar el período de garantía.**

**Acerca de su Garantía**

Briggs & Stratton recibe con agrado las reparaciones en garantía y le pide disculpas por las molestias causadas. Cualquier Distribuidor de Servicio Autorizado puede efectuar reparaciones en garantía. La mayoría de las reparaciones en garantía se gestionan normalmente, pero a veces las solicitudes para servicio de garantía pueden no ser las apropiadas. Para evitar cualquier malentendido que pudiera presentarse entre el cliente y el distribuidor, se enumeran a continuación algunas de las causas de fallas del motor que la garantía no cubre.

**Desgaste Normal:** Los motores necesitan, como todos los dispositivos mecánicos, el cambio y el servicio periódico de las partes para desempeñarse bien. La garantía no cubrirá la reparación cuando el uso normal haya agotado la vida de una parte o del motor. La garantía no podría aplicarse si el daño del motor ocurrió debido a abuso, falta del mantenimiento habitual, transporte, manejo, bodegaje o instalación inapropiados. De igual manera se invalidará la garantía si el número serial del motor ha sido removido o si el motor ha sido alterado o modificado.

**Mantenimiento Incorrecto:** La vida útil de un motor depende de las condiciones bajo las cuales opere el motor y del cuidado que éste reciba. Algunas aplicaciones, tales como cultivadoras, bombas y máquinas cortacésped rotantes, se utilizan con mucha frecuencia en condiciones de mucho polvo o en condiciones muy sucias, las cuales pueden hacer que parezca un desgaste prematuro del motor. Tal desgaste, cuando es ocasionado por suciedad, polvo o por el hecho de limpiar la bujía con chorro de arena, o porque otro material abrasivo haya entrado al motor debido a un mantenimiento no apropiado, no será cubierto por la garantía.

**Esta garantía cubre únicamente, material defectuoso y/o mano de obra relacionados con el motor, y no el cambio o reembolso del equipo en el cual haya sido montado el motor. Ni extenderá la garantía a reparaciones requeridas debido a:**

- 1 Problemas ocasionados por el uso de partes que no sean partes originales Briggs & Stratton.
- 2 Controles del equipo o instalaciones que impidan el arranque, ocasionando un rendimiento poco satisfactorio del motor, o que acorten la vida del motor. (Contacte el fabricante del equipo.)
- 3 Carburadores con fugas, conductos de combustible obstruidos, válvulas atascadas u otros daños causados por el uso de combustible contaminado o pasado.

- 4 Partes que se hayan rayado o reventado por operar el motor con aceite lubricante insuficiente o contaminado, o por el uso del grado de viscosidad de aceite incorrecto (compruebe el nivel de aceite y termine de aprovisionar cuando sea necesario, y cambie aceite según los intervalos recomendados.) El dispositivo protector del aceite OIL GARD no se puede apagar durante la operación del motor. Se podrían presentar daños en el motor si el nivel de aceite no se mantiene correctamente.
- 5 Reparación o ajuste de partes asociadas o conjuntos tales como embragues, transmisiones, controles remoto, etc., los cuales no son fabricados por Briggs & Stratton.
- 6 Daño o desgaste de partes causado por la entrada de suciedades al motor debido al mantenimiento incorrecto del filtro de aire, montaje incorrecto, o por el uso de un elemento o cartucho para el filtro de aire que no sea original. Limpie y/o cambie el filtro según los intervalos recomendados de acuerdo a lo establecido en el Manual del Operador.
- 7 Partes dañadas por velocidad excesiva o recalentamiento causado por residuos de grama, desechos o suciedades los cuales tapan u obstruyen las aletas de enfriamiento, o el área de la volante, o por daños causados por operar el motor en un área confinada sin la suficiente ventilación. Limpie los desechos del motor según los intervalos recomendados de acuerdo a lo establecido en el Manual del Operador.
- 8 Partes del motor o del equipo quebradas por vibración excesiva causada por un montaje flojo del motor, cuchillas de corte flojas, cuchillas o impulsores flojos o no balanceados, fijación incorrecta del equipo al cigüeñal del motor, velocidad excesiva u otro abuso en la operación.
- 9 Un cigüeñal deformado o quebrado causado por golpear con un objeto sólido la cuchilla de corte de una máquina cortacésped rotante, o por tensión excesiva de las correas en v.
- 10 Afinación o ajuste de rutina del motor.
- 11 Descuido del motor o de los componentes del motor, es decir, cámara de combustión, válvulas, asientos de válvulas, guías de válvulas o bobinados del motor de arranque quemados, causado por el uso de combustibles alternos tales como, gas propano, gas natural, gasolina con un contenido de etanol mayor del 10%, etc.

**El servicio de garantía está disponible solamente a través de los Distribuidores de Servicio Autorizados por Briggs & Stratton. Póngase en contacto con su Distribuidor de Servicio Autorizado más cercano en nuestro mapa de localización de distribuidores en BRIGGSandSTRATTON.COM, o llamando al 1-800-233-3723 (en los EE.UU.).**

## Yleinen informaatio

Tämän käsikirjan sisältämien turvallisuutta koskevien tietojen tarkoituksena on kertoa moottoreihin liittyvistä vaaroista ja riskeistä sekä siitä, miten niitä vältetään. Se sisältää myös ohjeita moottorin oikeaan käyttöön ja huoltoon. Koska Briggs & Stratton Corporation ei välttämättä tiedä, minkä laitteen voimanlähteenä tätä moottoria käytetään, on tärkeää, että luet ja ymmärrät sekä nämä ohjeet että sitä laitetta koskevat ohjeet, jota tällä moottorilla käytetään. **Säilytä nämä alkuperäisohjeet tulevaa käyttöä varten.** Saadaksesi varaosia tai teknistä apua kirjoita moottorin malli-, tyyppi- ja koodinumerot sekä ostopäivä tähän. Numerot on merkitty moottoriin (katso sivu **Ominaisuudet ja säätimet**).

Ostopäivä: \_\_\_\_\_  
MM/DD/YYYY


Moottorin malli: \_\_\_\_\_  
Malli: Tyyppi: Koodi:


**Vääntöarvot:** Yksittäisten bensiinimoottorimallien bruttovääntöarvot merkitään SAE:n (Society of Automotive Engineers) J1940-standardin (Pienmoottoreiden teho- ja väännönmittausnormisto) mukaisesti, ja arvot on saatu SAE J1995-normin mukaisesti. Väännön tehoarvot on mitattu 2600:n kierrosnopeudella niistä moottoreista, joiden tyyppikilpeen on merkitty "rpm" ja 3060:n kierrosnopeudella kaikista muista moottoreista; tehoarvot on saatu 3060:n kierrosnopeudella. Bruttovääntöarvot ovat nähtävissä osoitteessa [www.BRIGGSandSTRATTON.COM](http://www.BRIGGSandSTRATTON.COM). Väännön nettotehoarvot on mitattu pakoputki ja ilmanpuhdistin kiinnitettyinä kun taas bruttoarvot on mitattu ilman näitä laitteita. Moottorin todellinen bruttovääntöarvo on suurempi kuin nettoarvo ja siihen vaikuttavat muun muassa ympäristön käyttöolosuhteet ja moottoreiden yksilölliset erot. Moottoreitamme käytetään voimanlähteenä lukuisissa erilaisissa laitteissa, jolloin bensiinimoottorin asettamat rajoitukset sekä ympäristötekijät vaikuttavat moottorin vääntöön. Tällaisia seikkoja ovat: lisälaitteet (ilmanpuhdistin, pakoputki, lataus, jäähdytys, kaasutin, polttoainepumppu jne.), käyttörajoitukset, ympäristön käyttöolosuhteet (lämpötila, kosteus, korkeus) ja koneiden väliset erot. Valmistuksesta ja kapasiteetin rajoituksista johtuen Briggs & Stratton voi korvata tämän sarjan moottorin vääntöarvoltaan suuremmalla moottorilla.


## Käyttäjän turvallisuus


### TURVALLISUUS- JA SÄÄTÖSYMBOLIT



Vaarasympolia  käytetään merkinä vaaroista, jotka saattavat johtaa henkilövahinkoihin. Merkkisanaa (HENGENVAARA tai VAROITUS) käytetään symbolin ohella kuvaamaan loukkaantumisen mahdollisuutta ja vakavuutta. Lisäksi vaarasympolia voidaan käyttää esittämään vaaran tyyppiä.

 **HENGENVAARA** merkitsee vaaraa, joka saattaa, mikäli sitä ei vältetä, johtaa vakavaan loukkaantumiseen tai kuolemaan.

 **VAROITUS** merkitsee vaaraa, joka saattaa, mikäli sitä ei vältetä, johtaa vakavaan loukkaantumiseen tai kuolemaan.

 **VAROITUS** merkitsee vaaraa, joka saattaa, mikäli sitä ei vältetä, johtaa loukkaantumiseen.

**HUOMAUTUS** ilmaisee tilannetta, joka saattaa aiheuttaa vaurioita tuotteeseen.

### VAROITUS

Tämän tuotteen tietyt osat ja varusteet sisältävät kemikaaleja, joiden tiedetään aiheuttavan syöpää ja synnynnäisiä epämuodostumia sekä haittaavan lisääntymiskykyä. Pese kädet käsittelyn jälkeen.

### VAROITUS

Tämän tuotteen pakokaasu sisältää Kalifornian valtion tutkimusten mukaan terveydelle haitallisia aineita.

### VAROITUS

Briggs & Stratton-moottoreita ei ole suunniteltu käytettäväksi eikä niitä saa käyttää kartingautojen, lastenautojen, polkuautojen, mönkijöiden, moottoripyörien, ilmatyynyalusten tai ilmailuvälineiden voimanlähteenä tai ajoneuvoissa, joita käytetään kilpailuissa, joita Briggs & Stratton ei ole hyväksynyt. Saat lisätietoja kilpailutuotteistamme osoitteessa [www.briggsracing.com](http://www.briggsracing.com). Halutessasi tietoja käytöstä hyötyajoneuvoissa ja mönkijöissä, ota yhteys osoitteella Briggs & Stratton Engine Application Center, 1-866-927-3349. Moottorin epäasianmukainen käyttö saattaa johtaa vakavaan vammautumiseen tai kuolemaan.

**HUOMAUTUS:** Kun tämä moottori lähtee Briggs & Strattonin tehtaalta, siinä ei ole öljyä. Lisää moottoriin öljyä tässä käyttöoppaassa annettujen ohjeiden mukaisesti ennen moottorin käynnistämistä. Mikäli käynnistät moottorin lisäämättä öljyä, moottori vaurioituu korjauskelvottomaksi eikä takuu korvaa vahinkoja.



## VAROITUS



**Polttoaine ja sen höyryt ovat erittäin helposti syttyviä ja räjähdysalttiita.**  
**Tulipalot ja räjähdys saattaa aiheuttaa vakavia palovammoja tai kuoleman.**

### Polttoaineen lisääminen

- Sammuta moottori ja anna sen jäähtyä vähintään 2 minuuttia ennen polttoainetankin korkin irrottamista.
- Täytä säiliö hyvin ilmastoidussa tilassa.
- Älä ylitä polttonestesäiliötä. Täytä tankki täyttöaukon kierteiden alareunaan saakka, jotta polttoaineella on tilaa laajeta.
- Älä säilytä polttoainetta kipinöiden, avotulen, kuumuuden ja muiden kipinän aikaansaavien laitteiden läheisyydessä.
- Tarkasta polttoaineputket, tankki, tankin korkki ja liittimet säännöllisesti halkeamien ja vuotojen varalta. Vaihda tarvittaessa.
- Jos polttoainetta läikkyy, käynnistä moottori vasta sen haihduttua.

### Moottorin käynnistäminen

- Varmista, että sytytystulppa, äänenvaimennin, polttoainesäiliön korkki ja ilmanpuhdistin (mikäli käytössä) ovat paikoillaan ja tiukasti kiinnitettyjä.
- Älä käynnistä moottoria sytytystulpan ollessa irrotettuna.
- Jos moottori tulvii, laita kuristin (mikäli käytössä) auki/run-asentoon, siirrä nopeudensäädin (mikäli käytössä) fast-asentoon ja yritä käynnistää, kunnes moottori lähtee käyntiin.

### Laitteen käyttäminen

- Älä kallista moottoria siten, että polttoainetta pääsee vuotamaan.
- Älä sammuta moottoria käyttämällä kuristinta.
- Älä koskaan käynnistä tai käytä moottoria ilmansuodatinelementti (mikäli käytössä) tai ilmansuodatin (mikäli käytössä) poistettuna.

### Öljynvaihto

- Mikäli poistat öljyn öljyntäyttöputken yläpään kautta, polttoainesäiliön on oltava tyhjä tai polttoainetta saattaa vuotaa ulos jolloin tulipalo tai räjähdys.

### Laitteen kallistaminen huoltoa varten

- Tehdessäsi huoltotoimenpiteitä, jotka vaativat laitteen kallistamista, polttoainesäiliön on oltava tyhjä tai polttoainetta saattaa vuotaa ulos jolloin tulipalo tai räjähdys.

### Laitteen kuljettaminen

- Kuljeta laite tankki TYHJÄNÄ tai polttoainehana SULJETTUNA.

### Polttoaineen varastointi tai laitteen varastointi, kun tankissa on polttoainetta

- Älä varastoi lämmityskattilan, uunin, vedenlämmittimen tai muun kipinän aikaansaavan laitteen läheisyyteen, sillä ne voivat sytyttää polttoaineen höyrystyvät kaasut.



## VAROITUS



**Moottorin käynnistämisen yhteydessä syntyy kipinöitä.**  
**Kipinöinti voi sytyttää läheisyydessä olevat tulenarat kaasut.**  
**Räjähdys- ja tulipalovaara on olemassa.**

- Älä käynnistä moottoria, mikäli läheisyydessä on luonnonkaasu- tai nestekaasuvuoto.
- Älä käytä paineistettuja käynnistyspumpeita, koska niiden kaasut ovat herkästi syttyviä.



## VAROITUS



**Käyvä moottori tuottaa lämpöä. Moottorin osat, varsinkin äänenvaimennin, tulevat erittäin kuumiksi.**  
**Osien koskettaminen saattaa aiheuttaa vakavia palovammoja.**  
**Syttyvät roskat, kuten lehdet, ruoho, jne. saattavat syttyä palamaan.**

- Anna äänenvaimentimen, sylinterin jäähdysripojen ja muiden osien jäähtyä ennen kuin kosketat niitä.
- Poista kertyneet roskat vaimentimen ja sylinterin läheisyydestä.
- On Kalifornian julkisen lainsäädännön pykälän 4442 vastaista käyttää moottoria millään metsä-, pensas- tai ruohoalueella, ellei pakokaasujärjestelmässä ole pykälän 4442 mukaista kipinänsammutinta ja ellei sitä pidetä toimintakunnossa. Muissa osavaltioissa tai liittovaltioissa voi olla samankaltaisia lakeja. Ota yhteys alkuperäisen laitteen valmistajaan, jälleenmyyjään tai vähittäiskauppiaseen saadaksesi tälle moottorille suunniteltuun pakokaasujärjestelmään sopivan kipinänsammuttimen.



## VAROITUS



**MYRKYLLISEN KAASUN VAARA. Moottorin pakokaasut sisältävät hiilimonoksidia, myrkyllistä kaasua, joka voi tappaa muutamassa minuutissa. Sitä EI VOI nähdä, haistaa tai maistaa. Vaikka et tunnistakaan pakokaasun hajua, voit silti altistua hiilimonoksidikaasulle. Jos tunnet olosi huonovointiseksi tai sinua huimaa tai heikottaa käyttäessäsi tätä laitetta, sammuta se välittömästi ja hakeudu VÄLITTÖMÄSTI raikkaaseen ulkoilmaan. Hakeudu lääkärin hoitoon, Olet ehkä saanut hiilidioksidimyrkytyksen.**

- Käytä tätä laitetta VAIN ulkotiloissa, kaukana ikkunoista, ovista tai tuuletusaukoista vähentääksesi hiilidioksidin kerääntymisen vaaraa ja mahdollista joutumista tiloihin, joissa oleskellaan.
- Asenna akulla toimivat hiilidioksidivaroitimet, jotka on varustettu vara-akuilla valmistajan ohjeiden mukaisesti. Savuvaroitimet eivät havaitse hiilidioksidikaasua.
- ÄLÄ KÄYTÄ tätä laitetta asunnoissa, autotalleissa, kellareissa, ryömintätiloissa, suojoissa tai muissa osittain suljetuissa tiloissa, vaikka niissä käytetään tuulettimia tai avataan ovia tai ikkunoita tuuletuksen järjestämiseksi. Hiilidioksidia saattaa muodostua nopeasti näissä tiloissa ja voi jäädä sinne tuntikausiksi senkin jälkeen kun laite on sammutettu.
- Aseta laite AINA siten, että se on tuulen alapuolella ja että pakoputki osoittaa pois päin tiloista, joissa oleskellaan.



## VAROITUS



**Pyörivät osat voivat osua tai tarttua käsiin, hiuksiin tai vaatteisiin.**  
**Tästä voi seurata vakavia silpoutumia tai haavoittumista.**

- Käytä laitetta aina kaikki suojukset paikallaan.
- Pidä kädet ja jalat pois pyörivistä osista.
- Kiinnitä pitkät hiukset ja poista korut.
- Älä käytä liian väljiä vaatteita, varo sitomattomia, roikkuvia nauhoja tai muita helposti tarttuvia vaatekappaleita.



## VAROITUS



**Väärästä käynnistävasta johtuva takapotku vetää köyttä takaisin moottoriin päin nopeammin kuin ehdit laskea kahvasta irti.**  
**Tästä voi seurata luunmurtumia, ruhjeita tai venähdyksiä.**

- Oikea tapa käynnistää moottori ja välttää takapotku, on vetää köydestä hitaasti, kunnes vastus tuntuu, ja sitten vetää nopeasti.
- Kytke pois kaikki ylimääräinen moottorin/laitteen kuormitus käynnistyksen ajaksi.
- Kaikki suoraan kytketyt komponentit, kuten esimerkiksi terät, tuulettimet, juoksupyörät, hihnapyörät, ketjupyörät, tms. tulee olla tiukasti kiinnitettyinä.



## VAROITUS



**Hallitsematon kipinöinti voi aiheuttaa tulipalon tai sähköiskun.**  
**Moottorin käynnistyminen vahingossa voi aiheuttaa vaaratilanteita ja henkilövahinkoja.**  
**Tulipalon vaara**

### Ennen säätö- tai korjaustoimenpiteitä:

- Irrota sytytystulpan johto ja pidä se erillään sytytystulpastasta.
- Irrota akun negatiivinen kaapeli (vain sähkökäynnistimellä varustetut moottorit).
- Käytä vain oikeita työkaluja.
- Älä koske keskipakosäätimen jousiin, niveliin tai muihin osiin moottorin nopeuden säätämiseksi.
- Varaosien täytyy olla rakenteeltaan samanlaisia ja ne on asennettava saman asentoon kuin alkuperäisosat. Muut osat eivät ehkä toimi yhtä hyvin, ne saattavat vahingoittaa laitetta ja niiden käyttö saattaa aiheuttaa vammautumisen.
- Älä lyö vauhtipyörää vasaralla tai kovalla esineellä, koska vauhtipyörä voi hajota pirstaleiksi myöhemmin käytön aikana.

### Sytytyskipinän testaaminen:

- Käytä ainoastaan hyväksytyä kipinätesteriä.
- Älä tarkista kipinää sytytystulpan ollessa irrotettuna.

# Ominaisuudet ja säätimet

Katsele oppaan kuvitusta **1** ja omaa moottoriasi samanaikaisesti tutustuaksesi moottorin eri ominaisuuksiin ja säätimiin.

- A. Moottorin tunniste  
**Malli Tyyppi Koodi**
- B. Sytytystulppa
- C. Ilmanpuhdistin, sykloninen
- D. Ilmanpuhdistin, litteä
- E. Mittatikku
- F. Öljyntäyttö
- G. Öljynsuodatin
- H. Öljynpoistoaukon tulppa
- I. Öljynpaineen anturi
- J. Suojus
- K. Sähkökäynnistin
- L. Käynnistinsolenoidi
- M. Säädin/tasasuunnin
- N. Kaasutin
- O. Öljynjäähdytin (lisälaite)
- P. Äänenvaimennin (lisälaite)
- Q. Polttoainepumppu
- R. Käynnistimen kytkin \*
- S. Kaasutin \*
- T. Rikastin \*
- U. Polttoainesuodatin (lisälaite)

\* Joissakin moottoreissa ja laitteissa on kauko-ohjaimet. Tarkista kauko-ohjainten sijainti ja toiminta laitteen käsikirjasta.

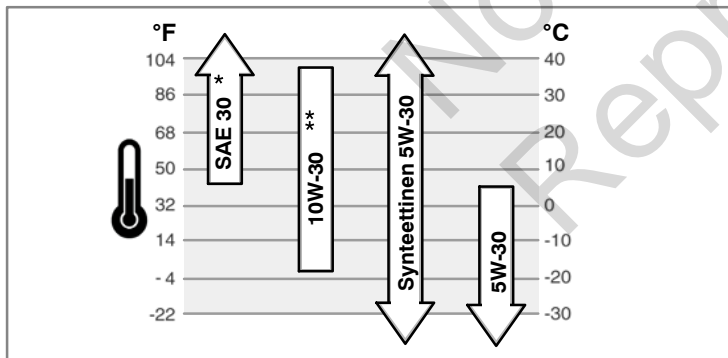
## Toiminta

Öljytilavuus (katso **Tekniset tiedot** -luku)

### Öljysuositukset

Moottorin parhaan toiminnan takaamiseksi suosittelemme käytettäväksi Briggs & Strattonin takuuhyväksytyjä öljyjä. Muita hyväksyttäviä pesevätyyppejä öljyjä ovat SF, SG, SH, SJ. Älä käytä mitään lisäaineita.

Käytettävän öljyn viskositeetti määräytyy ulkoilman lämpötilan mukaan. Valitse tästä taulukosta öljyn viskositeettiluokka, joka sopii odotettuun käynnistyslämpötilaan ennen seuraavaa öljynvaihtoa.



\* Alle 40°F (4°C) lämpötiloissa SAE 30 -öljyn käyttö johtaa huonoon käynnistyvyyteen.

\*\* Yli 80°F (27°C) lämpötiloissa 10W-30-öljyn käyttö saattaa johtaa normaalia suurempaan öljynkulutukseen. Tarkista öljyn määrä normaalia useammin

### Öljyn tarkistaminen/lisääminen - kuva 2

Ennen öljyn lisäämistä tai tarkistamista

- Aseta moottori vaakasuoraan asentoon.
- Puhdista öljyntäyttöaukon ympärys liasta.
- 1. Irrota mittatikku (A) ja pyyhi puhtaaseen kankaaseen (kuva 2).
- 2. Laita mittatikku takaisin paikalleen ja kiristä.
- 3. Irrota mittatikku ja tarkista öljymäärä uudestaan. Öljyä tulee olla mittatikuksen full-merkkiin (B) saakka.
- 4. Jos öljyä on vähän, lisää sitä hitaasti moottorin öljyntäyttöaukon kautta (C). **Älä ylitäytä.** Kun öljyä on lisätty, odota minuutin ajan ja tarkista öljyn määrä sitten uudelleen.
- 5. Aseta mittatikku paikalleen ja kiristä.

### Alhaisen öljymäärän ilmoitusjärjestelmä (mikäli sellainen on)

Joissakin moottoreissa on alhaisesta öljymäärästä ilmoittava tunnustin. Mikäli öljymäärä on alhainen, tunnustin joko sytyttää varoitusvalon tai sammuttaa moottorin. Sammutta moottori ja tee seuraavat vaiheet ennen moottorin uudelleenkäynnistämistä.

- Varmista, että moottori on vaakasuorassa.
- Tarkista öljymäärä. Katso kappale **Öljyn tarkistaminen/lisääminen**.
- Mikäli öljyä on vähän, lisää sitä tarvittava määrä. Käynnistä moottori ja varmista, että varoitusvalo (mikäli sellainen on) ei pala.
- Jos öljyn määrä ei ole alhainen, **älä käynnistä** moottoria. Ota yhteyttä valtuutettuun Briggs & Strattonin jälleenmyyjään, jotta ongelma saadaan korjatuksi.

### Polttoainesuositukset

Polttoaineen on täytettävä seuraavat vaatimukset:

- Polttoaineen on oltava puhdasta, tuoretta ja liijytöntä.
- vähintään 87 oktaanista/87 AKI (91 RON). Korkean ilmanalan käyttö, katso alempana annettavat ohjeet.
- Polttoaineessa saa olla enintään 10% etanolia.

**VAROITUS:** Älä käytä polttoaineita, jotka eivät ole suositusten mukaisia, kuten E15:tä tai E85:tä. Älä sekoita öljyä polttoaineeseen tai muuta moottoria käymään vaihtoehtoisilla polttoaineilla. Muiden kuin suositusten mukaisten polttoaineiden käyttö vaurioittaa moottoria ja kumoaa moottorin takuun.

Jottei polttoainejärjestelmään pääse syntymään hartisia, sekoita polttoaineeseen polttoaineen säilytysainetta. Katso kohta **varastointi**. Kaikki polttoaineet eivät ole samanlaisia. Jos moottori ei käynnisty helposti tai moottorin suorituskyky ei ole odotusten mukainen polttoaineen lisäämisen jälkeen, vaihda polttoainemyyjää tai polttoainemerkkiä. Tämä moottori on tarkoitettu toimimaan bensiinillä. Tämän moottorin pakokaasupäästöjen rajoitusjärjestelmä on EM (Moottorin modifikaatiot).

### Korkea ilmanala

Yli 1524 metrin (5,000 jalkaa) korkeudessa on käytettävä vähintään 85 oktaanista/85 AKI (89 RON) polttoainetta. Päästönormien täyttämiseksi moottorille on tehtävä korkean paikan säätö. Mikäli säätöä ei tehdä, laitteen suorituskyky heikkenee, polttoaineenkulutus lisääntyy ja päästöt lisääntyvät. Saat lisätietoja korkean paikan säädöstä valtuutetulta Briggs & Stratton-maahantuojalta.

Korkean paikan sarjaa ei suositella käytettäväksi, mikäli moottoria käytetään alle 762 metrin (2500 jalkaa) korkeudessa.

### Polttoaineen lisääminen - kuva 3



#### VAROITUS



**Polttoaine ja sen höyryt ovat erittäin helposti syttyviä ja räjähdysalttiita.**



**Tulipalot ja räjähdys saattaa aiheuttaa vakavia palovammoja tai kuoleman.**

#### Polttoaineen lisääminen

- Sammuta moottori ja anna sen jäähtyä vähintään 2 minuuttia ennen polttoainetankin korkin irrottamista.
- Täytä säiliö hyvin ilmastoidussa tilassa.
- Älä ylitäytä polttoainesäiliötä. Täytä tankki täyttöaukon kierteiden alareunaan saakka, jotta polttoaineella on tilaa laajeta.
- Älä säilytä polttoainetta kipinöiden, avotulen, kuumuuden ja muiden kipinän aikaansaavien laitteiden läheisyydessä.
- Tarkasta polttoaineputket ja liittimet, tankki ja tankin korkki säännöllisesti halkeamien ja vuotojen varalta. Vaihda tarvittaessa.
- Jos polttoainetta läikkyä, käynnistä moottori vasta sen haihduttua.

1. Puhdista lika ja roskat tankin korkin ympäriltä. Irrota tankin korkki (A), kuva 3.
2. Täytä polttoainesäiliö (B) bensiinillä. Täytä tankki täyttöaukon kierteiden alareunaan (C) saakka, jotta polttoaineella on tilaa laajeta.
3. Kierä korkki takaisin paikalleen.

### Moottorin käynnistäminen - kuva 4



#### VAROITUS



**Polttoaine ja sen höyryt ovat erittäin helposti syttyviä ja räjähdysalttiita.**



**Tulipalot ja räjähdys saattaa aiheuttaa vakavia palovammoja tai kuoleman.**

#### Moottorin käynnistäminen

- Varmista, että sytytystulppa, äänenvaimennin, polttoainesäiliön korkki ja ilmanpuhdistin (mikäli käytössä) ovat paikoillaan ja tiukasti kiinnitettyjä.
- Älä käynnistä moottoria sytytystulpan ollessa irrotettuna.
- Jos moottori tulvii, laita kuristin (mikäli käytössä) auki/run-asentoon, siirrä nopeudensäädin (mikäli käytössä) fast-asentoon ja yritä käynnistää, kunnes moottori lähtee käyntiin.



## VAROITUS



**MYRKYLLISEN KAASUN VAARA.** Moottorin pakokaasut sisältävät hiilimonoksidia, myrkyllistä kaasua, joka voi tappaa muutamassa minuutissa. Sitä EI VOI nähdä, haistaa tai maistaa. Vaikka et tunnistakaan pakokaasun hajua, voit silti altistua hiilimonoksidikaasulle. Jos tunnet olosi huonovointiseksi tai sinua huimaa tai heikottaa käyttäessäsi tätä laitetta, sammuta se välittömästi ja hakeudu VÄLITTÖMÄSTI raikkaaseen ulkoilmaan. Hakeudu lääkäriin hoitoon, Olet ehkä saanut hiilidioksidimyrkytyksen.

- Käytä tätä laitetta VAIN ulkotiloissa, kaukana ikkunoista, ovista tai tuuletusaukoista vähentääksesi hiilidioksidin kerääntymisen vaaraa ja mahdollista joutumista tiloihin, joissa oleskellaan.
- Asenna akulla toimivat hiilidioksidivaroittimet, jotka on varustettu vara-akuilla valmistajan ohjeiden mukaisesti. Savuvaroittimet eivät havaitse hiilidioksidikaasua.
- ÄLÄ KÄYTÄ tätä laitetta asunnoissa, autotalleissa, kellareissa, ryömintätiloissa, suojissa tai muissa osittain suljetuissa tiloissa, vaikka niissä käytetään tuulettimia tai avataan ovia tai ikkunoita tuuletuksen järjestämiseksi. Hiilidioksidia saattaa muodostua nopeasti näissä tiloissa ja voi jäädä sinne tuntikausiksi senkin jälkeen kun laite on sammutettu.
- Aseta laite AINA siten, että se on tuulen alapuolella ja että pakoputki osoittaa pois päin tiloista, joissa oleskellaan.

**HUOMAUTUS:** Kun tämä moottori lähtee Briggs & Strattonin tehtaalta, siinä ei ole öljyä. Lisää moottoriin öljyä tässä käyttöoppaassa annettujen ohjeiden mukaisesti ennen moottorin käynnistämistä. Mikäli käynnistät moottorin lisäämättä öljyä, moottori vaurioituu korjauskelvottomaksi eikä takuu korvaa vahinkoja.

*Huom:* Joissakin moottoreissa ja laitteissa on kauko-ohjaimet. Tarkista kauko-ohjainten sijainti ja toiminta laitteen käsikirjasta.

- Tarkista öljymäärä. Katso kappale **Öljyn tarkistaminen/lisääminen**.
- Varmista, että laitteen voimansiirron säätölaitteet, mikäli käytössä, ovat vapaalla. Tarkista näiden säätimien sijainti ja toiminta laitteen käsikirjasta.
- Käännä polttoaineen sulkuventtiili (A), mikäli käytössä, on-asentoon (kuva 4). Tarkista polttoaineen sulkuventtiilin sijainti ja toiminta laitteen käyttöoppaasta.
- Siirrä nopeudensäädin (B) fast asentoon. Käytä moottoria fast asennossa. Tarkista nopeudensäätimen sijainti ja toiminta laitteen käyttöoppaasta.
- Vedä rikastin (C), mikäli käytössä, rikastusasentoon.

*Huomaa:* Käynnistettäessä moottoria, jonka polttoainejärjestelmä on kuiva (ensimmäinen käynnistys tai kun moottorista on loppunut polttoaine), käynnistykseen tarvitaan enemmän aikaa siten, että kuristin on asennossa. Näin polttoainepumpulla on aikaa ryyppytää polttoainejärjestelmä.

- Työnnä pysäytyskytkin (D), mikäli laitteessa on sellainen on-asentoon.
- Käännä sähkökäynnistimen kytkin (E)/start-asentoon (kuva 4).
- Jos kone käynnistyy, mutta ei jatka käymistä, käynnistä moottori siirtämällä kuristimensäätövipu (C) run -asentoon.

**HUOMAUTUS:** Voit pidentää käynnistimen käyttöikää käynnistämällä moottoria vain lyhyitä jaksia (korkeintaan viisi sekuntia kerrallaan). Pidä minuutin tauko käynnistysyritysten välillä.

*Huomaa:* Mikäli moottori ei käynnisty usean vedon jälkeen, katso ohjeet sivulta **VanguardEngines.com** tai soita 1-800-999-9333 (Yhdysvalloissa).

- Kun moottori on lämmennyt, siirrä rikastinvipu (C) run -asentoon.

## Moottorin sammuttaminen - kuva 4



## VAROITUS



**Polttoaine ja sen höyryt ovat erittäin helposti syttyviä ja räjähdysalttiita.**



**Tulipalot ja räjähdys saattaa aiheuttaa vakavia palovammoja tai kuoleman.**

- Älä sammuta moottoria käyttämällä kuristinta.

- Siirrä kaasuvipu slow-asentoon, käännä virta-avain (E) off-asentoon (kuva 4). Irrota virta-avain ja pidä se lasten ulottumattomissa.
- Paina pysäytyskytkin (D), mikäli käytössä, off-asentoon
- Kun moottori on sammunut, käännä polttoaineen sulkuventtiili (A), mikäli käytössä, kiinni.

## Huolto

Suosittellemme, että otat yhteyttä mihin tahansa valtuutettuun Briggs & Stratton-huoltoilikkeeseen kaikissa moottoreiden huoltoja ja korjausta ja moottoreiden varaosia koskeissa kysymyksissä.

**HUOMAUTUS:** Kaikki tämän moottorin valmistuksessa käytettyjen osien on oltava paikoillaan, jotta moottori toimisi kunnolla.



## VAROITUS:

Tehdessäsi huoltotoimenpiteitä, jotka vaativat laitteen kallistamista, polttoainesäiliön on oltava tyhjä tai polttoainetta saattaa vuotaa ulos jolloin tuloksena voi olla tulipalo tai räjähdys.

## Päästökontrolli

**Päästökontrollijärjestelmän osien vaihdon tai huollon voi suorittaa mikä tahansa pienkonekorjaamo tai yksityishenkilö.** Takuukorjaukset tai -huollot voi suorittaa ainoastaan valtuutettu Briggs & Stratton-huoltoilike. Katso takuupäästöakua.



## VAROITUS



**Hallitsematon kipinointi voi aiheuttaa tulipalon tai sähköiskun.**



**Moottorin käynnistyminen vahingossa voi aiheuttaa vaaratilanteita ja henkilövahinkoja.**



**Tulipalon vaara**



**Ennen säätö- tai korjaustoimenpiteitä:**

- Irrota sytytystulpan johto ja pidä se erillään sytytystulpasta.
- Irrota akun negatiivinen kaapeli (vain sähkökäynnistimellä varustetut moottorit).
- Käytä vain oikeita työkaluja.
- Älä koske keskipakosäätimen jousiin, niveliin tai muihin osiin moottorin nopeuden säätämiseksi.
- Varaosien täytyy olla rakenteeltaan samanlaisia ja ne on asennettava saman asentoon kuin alkuperäisosat. Muut osat eivät ehkä toimi yhtä hyvin, ne saattavat vahingoittaa laitetta ja niiden käyttö saattaa aiheuttaa vammautumisen.
- Älä lyö vauhtipyörää vasaralla tai kovalla esineellä, koska vauhtipyörä voi hajota pirstaleiksi myöhemmin käytön aikana.

**Sytytyskipinän testaaminen:**

- Käytä ainoastaan hyväksytyä kipinätesteriä.
- Älä tarkista kipinää sytytystulpan ollessa irrotettuna.

## Huoltokaavio

### 5 ensimmäisen käyttötunnin jälkeen

- Vaihda öljy

### 8 tunnin välein tai päivittäin

- Tarkista öljymäärä
- Puhdista äänenvaimentimen ja säätimien ympäristö.

### Joka 100. tunti tai vuosittain

- Puhdista tai vaihda ilmansuodatin \* ▲
- Vaihda moottoriöljy ja suodatin
- Puhdista esipuhdistin (jos sellainen on) \*
- Vaihda sytytystulppa
- Tarkista äänenvaimennin ja sen suojus

### Joka 250. tunti tai vuosittain

- Tarkasta venttiiliväly. Säädä tarvittaessa.

### Joka 400. tunti tai vuosittain

- Vaihda ilmansuodatin ▲
- Vaihda polttoainesuodatin
- Puhdista ilmajäähdytysjärjestelmä \*
- Puhdista öljynjäähdyttimen rivat \*

### Joka 600. tunti tai vuosittain

- Vaihda turvasuodatin (jos on)

\* Puhdista useammin pölyisissä tai roskaissa olosuhteissa.

▲ Vaihda joka kolmannen ilmansuodattimen vaihdon yhteydessä sisällä oleva turvasuodatin (mikäli sellainen on).

## Kaasutin ja moottorin käyntinopeuden säätö

Älä koskaan säädä kaasutinta tai moottorin käyntinopeutta. Kaasutin on säädetty tehtaalla toimimaan tehokkaasti useimmissa olosuhteissa. Älä koske säätöjouseen, vivustoon tai muihin osiin tehdäkseen muutoksia moottorin käyntinopeuteen. Jos säätöjä on tehtävä, ota yhteyttä Briggs & Strattonin valtuutettuun huoltoliikkeeseen.

**HUOMAA:** Laitevalmistaja määrittää tähän laitteeseen asennetun moottorin suurimman sallitun käyntinopeuden. **Älä ylitä** tätä nopeutta. Mikäli et tiedä varmasti, mikä laitteen suurin sallittu nopeus on tai mikä tehtaalla asetettu moottorin käyntinopeus on, ota yhteys valtuutettuun Briggs & Stratton-huoltoliikkeeseen. Laitteen turvallisen ja asianmukaisen käytön turvaamiseksi, moottorin käyntinopeutta saa säätää vain ammattitaitoinen mekaanikko.

## Sytytystulpan vaihto - kuva 5

Vaihda sytytystulppa joka vuosi. Tarkista tulpan väli (A, kuva 5) lankatulkilla (B). Säädä väli uudestaan tarpeen vaatiessa. Asenna tulppa paikalleen ja kiristä suositeltuun tiukkuuteen. Katso tulpan väliasetus tai tiukkuus kohdasta **Tekniset tiedot**.

**Huom:** Eräissä maissa laki vaatii, että on käytettävä vastussytytystulppia sytytyksestä aiheutuvien häiriöiden vaimentamiseksi. Jos moottorissa on alun perin vastussytytystulppa, käytä samantyyppistä tulppaa myös jatkossa.

## Tarkista äänenvaimennin ja kipinäverkko. - kuva 6



### VAROITUS



**Käyvä moottori tuottaa lämpöä. Moottorin osat, varsinkin äänenvaimennin, tulevat erittäin kuumiksi.**



**Osien koskettaminen saattaa aiheuttaa vakavia palovammoja.**

**Sytyvät roskat, kuten lehdet, ruoho, jne. saattavat syttyä palamaan.**

- Anna äänenvaimentimen, sylinterin jäähdytysripojen ja muiden osien jäähtyä ennen kuin kosketat niitä.
- Poista kertyneet roskat vaimentimen ja sylinterin läheisyydestä.
- On Kalifornian julkisen lainsäädännön pykälän 4442 vastaista käyttää moottoria millään metsä-, pensas- tai ruohoalueella, ellei pakokaasujärjestelmässä ole pykälän 4442 mukaista kipinänsammutinta ja ellei sitä pidetä toimintakunnossa. Muissa osavaltioissa tai liittovaltioissa voi olla samankaltaisia lakeja. Ota yhteys alkuperäisen laitteen valmistajaan, jälleenmyyjään tai vähittäiskauppiaseen saadaksesi tälle moottorille suunniteltuun pakokaasujärjestelmään sopivan kipinänsammuttimen.

Poista kertyneet roskat vaimentimen ja sylinterin läheisyydestä. Tarkista, onko äänenvaimentimessa (A, kuva 6) murtumia, ruostetta tai muita vaurioita. Irrota kipinäsuojain (B), mikäli sellainen on käytössä ja tarkista, onko se vaurioitunut ja onko siinä hiilen aiheuttamia tukkeumia. Mikäli havaitset vaurioita, asenna varaosat ennen kuin käytät laitetta.



**VAROITUS:** Varaosien täytyy olla rakenteeltaan samanlaisia ja ne on asennettava saman asentoon kuin alkuperäisosat. Muut osat eivät ehkä toimi yhtä hyvin, ne saattavat vahingoittaa laitetta ja niiden käyttö saattaa aiheuttaa vammautumisen.

## Öljyn vaihto - kuva 7

Jäteöljy on ympäristölle vaarallinen tuote ja on hävitettävä oikealla tavalla. Älä hävitä sitä talousjätteiden mukana. Tarkista paikallisilta viranomaisilta, huoltoedustajalta tai jälleenmyyjältä, miten öljy voidaan hävittää/kierrättää turvallisesti.

## Poista öljy

- Irrota sytytystulpan johto (A) moottorin ollessa vielä lämmin ja pidä johto erillään sytytystulpasta (kuva 7).
- Irrota öljyntäyttöaukon tulppa (B). Valuta öljy hyväksytyyn säiliöön.
- Kun öljysäiliö on tyhjentynyt, aseta öljynpoistoaukon tulppa paikalleen ja kiristä tiukalle.

## Öljynsuodattimen vaihto

Kaikkissa malleissa on öljynsuodatin. Katso vaihtovälit **Huoltokaaviosta**.

- Valuta öljy pois moottorista. Katso osa **Öljyn vaihto**.
- Irrota öljynsuodatin (C, kuva 7) ja hävitä se oikein.
- Ennen kuin asennat uuden öljynsuodattimen, voitele öljynsuodattimen tiiviste kevyesti tuoreella öljyllä.
- Kiristä öljynsuodatin käsin, kunnes tiiviste ottaa kiinni sovitteeseen. Kiristä suodatinta sitten vielä 1/2 - 3/4 kierrosta.
- Lisää öljyä. Katso kohta **Öljyn lisääminen**.
- Käynnistä moottori ja anna sen käydä. Tarkista öljyvuoaton varalta, kun moottori lämpenee.
- Pysäytä moottori ja tarkista öljytaso. Öljyä tulee olla mittatikun full-merkkiin (F) saakka.

## Öljyn lisääminen

- Aseta moottori vaakasuoraan asentoon.
  - Puhdista öljyntäyttöaukon ympärysi liasta.
  - Katso öljytilavuus kappaleesta **Tekniset tiedot**.
- Irrota mittatikku (D, kuva 7) ja pyyhi puhtaaseen kankaaseen.
  - Kaada moottorin öljyntäyttöaukosta hitaasti öljyä (E). **Älä ylitä**. Kun öljyä on lisätty, odota minuutin ajan ja tarkista määrä sitten.
  - Aseta mittatikku paikalleen ja kiristä tiukalle.
  - Irrota mittatikku ja tarkista öljymäärä uudestaan. Öljyä tulee olla mittatikun full-merkkiin (F) saakka.
  - Aseta mittatikku paikalleen ja kiristä tiukalle.

## Ilmansuodattimen huolto - kuva 8 9



### VAROITUS



**Polttoaine ja sen höyryt ovat erittäin helposti syttyviä ja räjähdysalttiita.**



**Tulipalot ja räjähdys saattavat aiheuttaa vakavia palovammoja tai kuoleman.**

- Älä koskaan käynnistä tai käytä moottoria ilmansuodatinelementti (mikäli käytössä) tai ilmansuodatin (mikäli käytössä) poistettuna.

**HUOMAUTUS:** Älä käytä suodattimen puhdistamiseen paineilmaa tai liuotainaineita. Paineilma voi vahingoittaa suodatinta ja liuottimet hajottavat sen.

Ilmansuodattimessa käytetään joko syklonista ilmansuodatinta tai matalaprofiilista ilmansuodatinta. Katso huoltovaatimukset **Huoltokaaviosta**.

### Sykloninen ilmansuodatinjärjestelmä

- Avaa salvat (A) ja irrota kansi (B). Katso kuva 8.
- Irrota ilmansuodatin (C).
- Puhdista lika suodattimesta taputtamalla sitä varovasti kovaa alustaa vasten. Mikäli suodatin on erittäin likainen, vaihda tilalle uusi suodatin.
- Syklonisessa ilmansuodatinjärjestelmässä on myös turvasuodatin (D) (jos sellainen on). Katso **Huoltokaaviosta** huoltovaatimukset. Irrota vetämällä turvasuodatin huolellisesti pois ilmansuodattimen rungosta (E) ja hävitä. Varmista, etteivät lika tai epäpuhtaudet pääse moottoriin.
- Asenna uusi turvasuodatin ilmanpuhdistimen runkoon.
- Asenna ilmansuodatin turvasuodattimen yli.
- Asenna kansi ja sulje salvat.

### Matalaprofiilinen ilmansuodatinjärjestelmä

- Irrota nuppi (F) ja kansi (G). Katso kuva 9.
- Irrota mutteri (H) ja pidike (J).
- Irrota ilmansuodatin (K).
- Irrota mahdollinen esipuhdistin (L) ilmansuodattimesta.
- Puhdista lika suodattimesta taputtamalla sitä varovasti kovaa alustaa vasten. Mikäli suodatin on erittäin likainen, vaihda tilalle uusi suodatin.
- Pese esipuhdistin nestemäisellä pesuaineella ja vedellä. Anna sen kuivua sen jälkeen perusteellisesti. **Älä** voitele esipuhdistinta öljyllä.
- Asenna kuiva esipuhdistin ilmansuodattimeen.
- Asenna ilmansuodatin ja kiinnitä se pidikkeellä ja mutterilla.
- Kiinnitä kansi ja kiristä se nupilla.

## Jäähdytysjärjestelmän puhdistus - kuva 11 12



### VAROITUS



**Käyvä moottori tuottaa lämpöä. Moottorin osat, varsinkin äänenvaimennin, tulevat erittäin kuumiksi.**



**Osien koskettaminen saattaa aiheuttaa vakavia palovammoja.**

**Sytyvät roskat, kuten lehdet, ruoho, jne. saattavat syttyä palamaan.**

- Anna äänenvaimentimen, sylinterin jäähdytysripojen ja muiden osien jäähtyä ennen kuin kosketat niitä.
- Poista kertyneet roskat vaimentimen ja sylinterin läheisyydestä.

**HUOMAUTUS:** Älä puhdista moottoria vedellä, sillä vesi voi tunkeutua polttoaineen joukkoon. Käytä moottorin puhdistamiseen harjaa tai kuivaa kangasta.

Tämä on ilmajäähdyhteinen moottori. Lika ja roskat voivat estää ilman virtauksen ja aiheuttaa moottorin ylikuumentumisen, mikä heikentää moottorin tehoa ja lyhentää sen käyttöikää.

Käytä harjaa tai kuivaa kangasta, kun haluat poistaa lian sormisuojusta (A, kuva 11). Pidä nivelet, jouset ja säätimet (B) puhtaina. Äänenvaimentimessa (C) tai sen läheisyydessä ei saa olla palavia epäpuhtauksia. Varmista, ettei öljynjäähdytimen lamelleissa (D) ole likaa.

Puhdista paneelin (E, kuva 12) alla oleva alue. Löysää kahta ruuvia (F), kunnes kuulet naksahduksen. Irrota paneeli ja puhdista likainen alue. Varmista, että myös paneelin alaosa on puhdas. Asenna paneeli ja kiristä ruuveja, kunnes kuulet naksahduksen.



### VAROITUS



**Polttoaine ja sen höyryt ovat erittäin helposti syttyviä ja räjähdysalttiita.**



**Tulipalot ja räjähdys saattaa aiheuttaa vakavia palovammoja tai kuoleman.**

- Älä säilytä polttoainetta kipinöiden, avotulen, kuumuuden ja muiden kipinän aikaansaavien laitteiden läheisyydessä.
- Tarkasta polttoaineputket ja liittimet, tankki ja tankin korkki säännöllisesti halkeamien ja vuotojen varalta. Vaihda tarvittaessa.
- Ennen polttoainesuodattimen puhdistamista tai vaihtamista tyhjennä polttoainesäiliö tai sulje polttoaineen sulkuventtiili.
- Varaosien täytyy olla oikean tyyppisiä ja ne on asennettava saman asentoon kuin alkuperäisosat.
- Jos polttoainetta läikky, käynnistä moottori vasta sen haihduttua.

1. Ennen polttoainesuodattimen (A, kuva 10) asettamista takaisin paikalleen, tyhjennä polttoainesäiliö tai sulje polttoaineen sulkuventtiili. Muuten polttoainetta voi vuotaa ulos, ja tuloksena voi olla tulipalo tai räjähdys.
2. Käytä pihtejä ja purista kielekkeitä (B), jotka ovat kiinnikkeissä (C). Liu'uta kiinnikkeet sitten pois polttoainesuodattimesta. Käännä ja vedä polttoaineletkut (D) irti polttoainesuodattimesta.
3. Tarkista polttoaineletkut murtumien tai vuotojen varalta. Vaihda tarvittaessa.
4. Vaihda polttoainesuodattimen tilalle alkuperäinen vaihtosuodatin.
5. Kiinnitä polttoaineletkut kiinnikkeillä kuvan osoittamalla tavalla.

### Varastointi



### VAROITUS



**Polttoaine ja sen höyryt ovat erittäin helposti syttyviä ja räjähdysalttiita.**



**Tulipalot ja räjähdys saattaa aiheuttaa vakavia palovammoja tai kuoleman.**

**Polttoaineen varastoiminen tai laitteen varastoiminen, kun tankissa on polttoainetta**

- Älä varastoi lämmityskattilan, uunin, vedenlämmittimen tai muun kipinän aikaansaavan laitteen läheisyyteen, sillä ne voivat sytyttää polttoaineen höyrystyvät kaasut.

### Polttoainejärjestelmä

Polttoaine saattaa vanheta, mikäli sitä säilytetään yli 30 päivää. Vanhentunut polttoaine saattaa aiheuttaa happo- ja hartsimuodostumisen syntyminen polttoainejärjestelmään tai tärkeisiin kaasuttimen osiin. Pidä polttoaine tuoreena käyttämällä **Briggs & Stratton Advanced Formula Fuel Treatment & Stabilizer-polttoaineen lisäainetta**, jota on saatavissa kaikista aitoja Briggs & Strattonin varaosia myyvistä liikkeistä.

Mootoreissa, joissa on FRESH START® -polttoainekorkki, käytetään **Briggs & Stratton FRESH START®**, jota myydään väkevöityä lisäainetta vähitellen annostelevana patruunana.

Moottorista ei tarvitse poistaa polttoainetta mikäli polttoaineeseen on lisätty lisäainetta ohjeitten mukaisesti. Anna moottorin käydä 2 minuutin ajan jotta lisäaine pääsee leviämään koko polttoainejärjestelmään ennen säilytykseen vientiä.

Mikäli polttoaineeseen ei ole lisätty lisäainetta, polttoaine on tyhjennettävä moottorista sopivaan astiaan. Anna moottorin käydä, kunnes se pysähtyy polttoaineen loppumisen vuoksi. Lisää polttoaineen lisäainetta varastointiajaksi, jotta polttoaine säilyy tuoreena.

### Moottoriöljy

Vaihda moottoriöljy kun moottori on vielä lämmin.

### Vianetsintä

Lisäohjeita huollon tekemiseksi löydät verkko-osoitteesta **VanguardEngines.com** tai soita numeroon **1-800-999-9333** (Yhdysvalloissa).

## Tekniset tiedot

### Moottorin tekniset tiedot

Malli	540000
Iskutilavuus	54,68 ci (896 cc)
Sylinterin halkaisija	3,366 in (85,5 mm)
Iskun pituus	3,071 in (78,0 mm)
Öljytilavuus	78 - 80 oz (2,3 - 2,4 L)

### Moottorin tekniset tiedot

Malli	610000
Iskutilavuus	60,60 ci (993 cc)
Sylinterin halkaisija	3,366 in (85,5 mm)
Iskun pituus	3,406 in (86,5 mm)
Öljytilavuus	78 - 80 oz (2,3 - 2,4 L)

### Säätöarvot

Malli	540000
Tulpan kärkiväli	0,030 in (0,76 mm)
Sytytystulpan kiristysarvo	180 lb-in (20 Nm)
Sytytyspuolan ilmaväli	0,005 - 0,008 in (0,13 - 0,20 mm)
Imuventtiilin välys	0,004 - 0,006 in (0,10 - 0,15 mm)
Pakoverventtiilin välys	0,004 - 0,006 in (0,10 - 0,15 mm)

### Säätöarvot

Malli	610000
Tulpan kärkiväli	0,030 in (0,76 mm)
Sytytystulpan kiristysarvo	180 lb-in (20 Nm)
Sytytyspuolan ilmaväli	0,005 - 0,008 in (0,13 - 0,20 mm)
Imuventtiilin välys	0,004 - 0,006 in (0,10 - 0,15 mm)
Pakoverventtiilin välys	0,004 - 0,006 in (0,10 - 0,15 mm)

\* Moottorin teho laskee 3.5% jokaista 1000 jalkaa (300 metriä) kohti merenpinnan yläpuolella ja 1% jokaista 10° F (5.6° C) kohti lämpötilassa yli 77° F (25° C). Moottori toimii tyydyttävästi, mikäli se ei joudu yli 15° asteen kulmaan. Katso käyttöohjekirjaa turvallisuille käyttörajoille kaltevilla pinnoilla.

### Tärkeimmät huolto-osat

Huolto-osa	Varaosanumero
Ilmansuodatin, sykloninen	841497
Turvasuodatin, sykloninen	821136
Ilmansuodatin, matala profiili	692519
Esipuhdistin, matala profiili	692520
Öljy - SAE 30	100028
Öljynsuodatin	842921

Huolto-osa	Varaosanumero
Polttoainesuodatin	691035
Poltonesteen lisäaine	5041, 5058
Vastussytytystulppa	491055
Platinakärkitulppa	5066
Sytytystulppa-avain	19374
Kipinätesteri	19368

✓ Suosittelemme, että otat yhteyttä mihin tahansa valtuutettuun Briggs & Stratton-huoltooliikkeeseen kaikissa moottoreiden huoltoa ja korjausta ja moottoreiden varaosia koskevissa kysymyksissä.



## RAJOITETTU TAKUU

Briggs & Stratton Corporation takaa, että alla mainitun takuukauden aikana se korjaa tai vaihtaa veloituksetta kaikki moottorin osat, jotka ovat viallisia joko materiaalin tai työn tai kummankin osalta. Tämän takuun mukaan ostaja vastaa tuotteen kuljetuskustannuksista korjausta tai vaihtoa varten. Tämä takuu on voimassa alla esitetyn ajan ja alla esitetyillä ehdoilla. Selvitä takuuta koskevat palvelut lähimmältä huoltoedustajaltamme, jonka löydät verkkosivuiltamme BRIGGSandSTRATTON.COM. Ostajan tulee ottaa yhteys valtuutettuun huoltoedustajaan ja toimitettava sen jälkeen moottori valtuutetulle huoltoedustajalle tarkastusta ja testaamista varten.

**Muuta ilmaistua takuuta ei ole, oletetut vastuut, mukaan lukien oletetut vastuut soveltavuudesta tai sopivuudesta tiettyyn käyttötarkoitukseen, rajoittuvat yhteen vuoteen alkaen ostopäivästä, tai lain sallimissa puitteissa torjutaan kaikki oletetut vastuut, vastuu välillisistä vahingonkorvauksista takuun nojalla torjutaan lain sallimissa puitteissa.** Joissakin maissa takuujan rajoittamista ei sallita ja joissakin maissa takuun on katettava myös välilliset vahingot, joten yllä olevat rajoitukset eivät välttämättä koske Teitä. Tämä takuu antaa Teille nimenomaiset lailliset oikeudet ja Teillä voi olla myös muita Suomen lain mukaisia oikeuksia \*\*.

## NORMAALIT TAKUUEHDOT \* ▲

Merkki/Tuotetyyppi	Yksityiskäyttö	Kaupallinen käyttö
Vanguard™ ■	3 vuotta	3 vuotta
Commercial Turf Series™	2 vuotta	2 vuotta
Extended Life Series™ ; I/C®; Intek™ I/C®; Intek™ Pro;™ Professional Series™, jossa on valurautainen Dura-Bore™ -sylinteriputki; 850 Series™, jossa on valurautainen Dura-Bore™ -sylinteriputki; Snow Series MAX™, jossa on valurautainen Dura-Bore™ -sylinteriputki Kaikki muut Briggs & Stratton-koneet, joissa on valurautainen Dura-Bore™ sylinteriputki	2 vuotta	1 vuosi
Kaikki muut Briggs & Stratton-moottorit	2 vuotta	90 päivää

\* Käytössä ovat normaalit vakuutusehtomme, mutta joissakin tapauksissa takuu saattaa kattaa muutakin, jota ei ollut määritetty julkaisuajankohtana. Saat luettelon moottoriasi koskevista takuuehdoista menemällä osoitteeseen BRIGGSandSTRATTON.COM tai ota yhteys valtuutettuun Briggs & Stratton maahantuojaan..

\*\* Australia - Tuotteillamme on takuita, joita ei voida jättää Australian kuluttajalainsuojan perusteella huomiotta. Asiakkaalla on oikeus merkittävässä vikatilanteissa saada tilalle toinen tuote ja rahakorvaus sekä vahingonkorvaus kaikista odotettavissa olevista menetyksistä tai vahingoista. Myös pienemmissä vikatapauksissa asiakkaalla on myös oikeus saada tuote korjatuksi tai vaihdetuksi. Tarvittesasi huoltopalveluja, ota yhteys lähimpään valtuutettuun huoltoedustajaan, jonka löydät verkkosivulta BRIGGSandSTRATTON.COM, tai soita numeroon 1300 274 447, tai lähetä sähköpostia osoitteeseen salesenquiries@briggsandstratton.com.au, tai tavallista postia osoitteeseen Briggs & Stratton Australia Pty Ltd, 1 Moorebank Avenue, Moorebank, NSW, Australia, 2170.

▲ Kotikäyttöön tarkoitetuissa varageneraattoreissa käytettäviä moottoreita koskee kahden vuoden yksityiskäyttötakuu. Ei koske kaupallista käyttöä. Tämä takuu ei koske niiden laitteiden moottoreita, joita käytetään voiman tuottamiseen hyötykäytössä. **Kilpa-ajoissa tai kaupallisilla tai vuokratiedoilla käytettäviä moottoreita takuu ei koske.**

■ Varageneraattoreihin asennettu Vanguard-moottori: 2 vuoden yksityiskäyttötakuu, ei koske kaupallisessa käytössä olevia moottoreita. Hyötyajoneuvoihin asennettu Vanguard -moottori: 2 vuoden yksityiskäyttötakuu, 2 vuoden kaupallisen käytön takuu. Vanguardin 3-sylinterinen, nestejäähdytetty moottori: katso Briggs & Stratton 3/LC-moottorin omistajan takuuehdot.

Takuuaika alkaa ostokuitissa mainitusta päivämäärästä ja koskien ensimmäistä omistajaa tai kaupallista loppukäyttäjää, ja on voimassa yllä mainitun ajanjakson. Tässä takuukirjassa "yksityiskäyttö" tarkoittaa yksityisten kuluttajien käytössä olevia talouksia. "Kaupallinen käyttö" tarkoittaa muita käyttökohteita, mukaan lukien kaupalliset, tuottoja tuottavat tai vuokraustarkoitukset. Jos moottori on ollut kaupallisessa käytössä, sitä pidetään sen jälkeen kaupalliseen käyttöön tarkoitettuna moottorina tämän takuun osalta.

**Mitään takuukorttia ei tarvita takuuhuollon saamiseksi Briggs & Stratton -moottoreille. ostokuitti on säilytettävä, mikäli et esitä ostokuittia takuuhuoltoon tuotaessa, moottorin koodinumeroa käytetään takuujan alkamispäivämääränä, erillistä takuukorttia ei tarvita takuupalvelun saamiseksi.**

## Takuuehdot

Briggs & Stratton suorittaa moottoreihinsa takuukorjauksia ja pahoittelee asiasta koituvaa vaivannäköä. Takuukorjauksia saavat suorittaa kaikki valtuutetut huoltopisteet. Useimmat takuukorjaukset hoidetaan rutiininomaisesti, mutta joskus takuukorjauspyynnöt eivät ole asianmukaisia. Asiakkaan ja jälleenmyyjän välisten väärinkäsitysten välttämiseksi alla on lueteltu muutamia moottorivaurioiden syitä, joita takuu ei kata.

**Normaali kuluminen:** Moottorit, kuten kaikki mekaaniset laitteet, vaativat ajoittaista osien uusimista ja huoltoa toimiakseen kunnolla. Takuu ei korvaa normaalin kulumisen aiheuttamia korjauskustannuksia. Takuu ei esimerkiksi ole voimassa, jos moottorivaurio on tapahtunut väärinkäytön, säännöllisen kunnossapidon laiminlyönnin, kuljetuksen, käsittelyn, varastoinnin tai väärän asennuksen johdosta. Samoin takuu on mitätön, jos moottorin sarjanumero on poistettu tai moottoria on jollakin tavoin muutettu.

**Epäasianmukainen kunnossapito:** Moottorin käyttöikä riippuu käyttöolosuhteista ja sen saamasta huolenpidosta. Eräitä laitteita, kuten jyrsimiä, pumppuja ja pyöriväteräisiä ruohonleikkureita käytetään hyvin usein polyisissä tai likaisissa oloissa, jotka voivat johtaa ennenaikaiselta näyttävään kulumiseen. Takuu ei kata tällaista kulumista, kun se johtuu lian, pölyn tai syytystulpan puhdistuksessa käytetyn hiekka-aineksen tai muun hiovan materiaalin pääsystä moottoriin epäasianmukaisen kunnossapidon seurauksena.

**Tämä takuu kattaa vain moottoriin liittyvät vialliset materiaalit ja/tai työvirheet eikä mitään vaihto-osia eikä korvausta laitteesta, johon moottori on kiinnitetty. Takuu ei myöskään kata seuraavista syistä johtuvia korjauksia:**

- 1 Ongelmat aiheutuvat osista, jotka eivät ole alkuperäisiä Briggs & Stratton-osia.
- 2 Laitteen säätimet tai asennukset, jotka estävät käynnistykseen, heikentävät moottorin suorituskykyä tai lyhentävät sen elinikää. (Ota yhteys laitteen valmistajaan.)
- 3 Kaasutinvuodot, tukkeutuneet polttoaineputket, juuttuneet venttiilit tai muut vauriot ovat aiheutuneet likaantuneesta tai vanhasta polttoaineesta.

- 4 Osat, jotka ovat rikkoutuneet tai leikanneet kiinni puutteellisesta voiteluöljyn määrästä tai väärästä öljyn viskositeetista johtuen (tarkista ja lisää tarvittaessa sekä vaihda suositeltujen ajanjaksojen päästä.) OIL GARD -öljyvahti ei välttämättä sammuta käyvää moottoria. Moottorivaurio on mahdollinen jos öljytasosta ei huolehdita.
- 5 Moottoriin liittyvien osien tai kokoonpanojen korjaus tai säätö, kuten esim. kytkimet, voimansiirto, kaukosäätölaitteet, jne., jotka eivät ole Briggs & Strattonin valmistamia.
- 6 Osien vauriot tai kulumiset, jotka johtuvat moottoriin päässeestä liasta ilmanpuhdistimen epäasianmukaisen kunnossapidon seurauksena, osien kokoonpanosta tai muun kuin alkuperäisen ilmanpuhdistinelementin tai suodattimen käytöstä. Puhdistista ja öljyä suositelluun aikavälein käyttäjän käsikirjassa mainitulla tavalla.
- 7 Osat, jotka ovat vaurioituneet ylikierron takia tai liiallisen kuumenemisen takia ruohon, roskien tai lian tukkiessa jäähdytysrivat tai juoksupyörän alueen, taikka vauriot, jotka ovat aiheutuneet moottorin käyttämisestä suljetussa tilassa ilman riittävää ilmanvaihtoa. Puhdistista roskat moottorista suositelluun aikavälein käyttäjän käsikirjassa mainitulla tavalla.
- 8 Moottori tai laitteen osat ovat rikkoutuneet liiallisesta tärinästä, joka on aiheutunut moottorin löysästä kiinnityksestä, löysistä leikkausteristä, epätasapainossa olevista teristä tai löysistä tai epätasapainossa olevista tulleittimista, laitteen sopimattomasta kiinnityksestä moottorin kampiakseliin, ylikierröksistä tai muusta väärinkäytöstä.
- 9 Taipunut tai rikkoutunut kampiakseli, jonka on aiheuttanut pyörivän ruohonleikkurin leikkausterän iskeytyminen kiinteään esineeseen tai liian tiukalla ollut kiilahihna.
- 10 Moottorin tavanomainen viritys tai säätö.
- 11 Moottorin tai moottorin osan peittäminen, ts. polttokammio, venttiilit, venttiili-istukat, venttiiliohjaimet tai palanut käynnistinmoottorin käämitys, joka on aiheutunut vaihtoehtoisten polttoaineiden käytöstä; näistä esimerkkeinä nestekaasu, maakaasu, etanolilla käsitellyt benssiinit, joiden etanolipitoisuus on yli 10% jne.

**Takuuhuoltoa antavat vain Briggs & Stratton Corporation valtuuttamat huoltokorjaamot. Lähimmän valtuutetun huoltoliikkeen löydät verkkosivulla BRIGGSandSTRATTON.COM tai soittamalla numeroon 1-800-233-3723 (Yhdysvalloissa).**

## Informations générales

Ce manuel contient des informations concernant la sécurité visant à attirer l'attention des usagers sur les dangers et les risques associés aux moteurs. Il contient aussi des instructions d'utilisation et d'entretien appropriées à ce moteur. Briggs & Stratton Corporation ne sachant pas forcément sur quel équipement ce moteur est monté, il est important de lire et de comprendre ces instructions ainsi que celles concernant l'équipement utilisé. **Conserver ces instructions originales pour un usage ultérieur.**

Pour obtenir des pièces de rechange ou une assistance technique, reporter ici les numéros de Modèle, Type et Code du moteur ainsi que la date d'achat. Ces numéros sont situés sur le moteur (voir la page **Caractéristiques et commandes**).

Date d'achat: \_\_\_\_\_

JJ/MM/AAAA

Modèle de moteur: \_\_\_\_\_

Modèle:

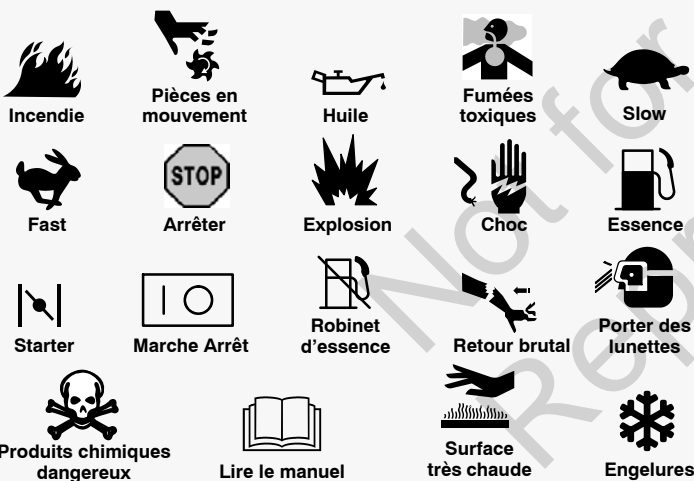
Type:


Code:


**Puissance du moteur:** La puissance brute pour chaque modèle de moteur à essence est indiquée conformément à la norme J1940 (procédure de calcul de la puissance et du couple des petits moteurs) de la SAE (Society of Automotive Engineers) et elle est définie selon SAE J1995. Les valeurs de couple sont calculées sur la base de 2600tr/min pour les moteurs avec les «tr/min» mentionnés sur l'étiquette et de 3060tr/min pour les autres; les valeurs de puissance sont calculées sur la base de 3600tr/min. Les courbes de puissance brute sont disponibles sur [www.BRIGGSandSTRATTON.COM](http://www.BRIGGSandSTRATTON.COM). Les valeurs nettes de puissance sont établies avec l'échappement et le filtre à air installés tandis que les valeurs brutes de puissance sont définies sans ces accessoires. La puissance brute réelle du moteur sera supérieure à la puissance nette et est influencée notamment par les conditions ambiantes de fonctionnement et les variations d'un moteur à l'autre. Compte tenu de la grande variété de machines sur lesquelles nos moteurs sont utilisés, il se peut que le moteur à essence ne développe pas sa puissance brute théorique une fois qu'il est monté sur une machine particulière. Cette différence s'explique par un grand nombre de facteurs, tels que (liste non limitative), les accessoires du moteur (filtre à air, échappement, admission, refroidissement, carburateur, pompe à essence, etc.), les limites d'utilisation, les conditions ambiantes d'utilisation (température, humidité, altitude) et les variations d'un moteur à l'autre. Pour des raisons de fabrication et de capacité limitées, Briggs & Stratton est susceptible de remplacer un moteur par une version plus puissante pour ce moteur.


## Sécurité de l'utilisateur


### SYMBOLES DE SÉCURITÉ ET DE COMMANDE



Le symbole d'alerte de sécurité  est utilisé pour identifier des informations sur des risques qui peuvent entraîner des blessures. Un mot (DANGER, AVERTISSEMENT, ATTENTION) est utilisé avec le symbole d'alerte pour indiquer le risque de blessure. En outre, un signal de danger peut être utilisé pour représenter le type de risque.

 **DANGER** indique un risque qui, s'il n'est pas éliminé, **entraînera la mort ou des blessures très graves.**

 **AVERTISSEMENT** indique un risque qui, s'il n'est pas éliminé, **pourrait entraîner la mort ou des blessures très graves.**

 **ATTENTION** indique un risque qui, s'il n'est pas éliminé, **pourrait entraîner des blessures mineures ou légères.**

**AVIS** indique une situation qui **pourrait endommager l'appareil.**

### AVERTISSEMENT

Certains composants de ce produit et de ses accessoires contiennent des produits chimiques connus dans l'État de Californie pour provoquer des cancers et des troubles de la procréation. Se laver les mains après chaque manipulation.

### AVERTISSEMENT

Les gaz d'échappement de ce moteur contiennent des substances chimiques pouvant causer des cancers, des malformations fœtales ou d'autres problèmes de fécondation.

### AVERTISSEMENT

Les moteurs Briggs & Stratton ne sont pas conçus et ne doivent pas être utilisés pour alimenter les karts de loisir, les véhicules tout-terrain à destination des enfants ou usage récréatif ou sportif, les motocyclettes, les aéroglisseurs, les avions ou les véhicules utilisés au cours de compétitions non approuvées par Briggs & Stratton. Pour plus d'informations sur les produits destinés à la compétition, prière de consulter [www.briggsracing.com](http://www.briggsracing.com). Pour une utilisation avec les véhicules tout-terrain utilitaires et biplace côte à côte (SSV), prière de contacter Briggs & Stratton Engine Application Center, 1-866-927-3349. Une application inappropriée du moteur peut entraîner des blessures graves ou mortelles.

**AVIS:** Ce moteur a été expédié par Briggs & Stratton sans huile. Avant de le démarrer, s'assurer d'avoir fait le plein d'huile selon les instructions de ce manuel. Si le moteur est démarré sans huile, il sera endommagé irrémédiablement et ne sera pas couvert par la garantie.



## AVERTISSEMENT



**Le combustible et ses vapeurs sont extrêmement inflammables et explosifs.**



**Un incendie ou une explosion peut entraîner des blessures graves ou même la mort.**

### Pour faire le plein

- Couper le moteur et le laisser refroidir au moins 2 minutes avant d'ouvrir le bouchon du réservoir.
- Remplir le réservoir de carburant à l'extérieur ou dans un local extrêmement bien ventilé.
- Ne pas trop remplir le réservoir. Pour permettre la dilatation du carburant, ne pas remplir plus haut que le bas du col du réservoir.
- Maintenir le carburant à l'écart des étincelles, des flammes directes, des veilleuses, de la chaleur et des autres sources d'étincelles.
- Contrôler que les durites, le réservoir, le bouchon et les raccords de carburant ne présentent ni fissures ni fuites. Remplacer si nécessaire.
- Si du carburant a été renversé, attendre son évaporation complète avant de démarrer le moteur.

### Pour démarrer le moteur

- S'assurer que la bougie, le bouchon du réservoir de carburant et le filtre à air sont le cas échéant montés et solidement fixés.
- Ne pas faire tourner le moteur avec la bougie enlevée.
- Si le moteur est noyé, placer le starter (le cas échéant) sur OPEN/RUN, amener l'accélérateur sur FAST et lancer le moteur jusqu'à ce qu'il démarre.

### Lors de l'utilisation de l'équipement

- Ne pas faire basculer le moteur ou l'équipement au-delà d'un angle qui provoquerait le renversement du carburant.
- Ne pas actionner le starter pour arrêter le moteur.
- Ne pas démarrer ou faire fonctionner un moteur sans filtre à air ou avec le filtre à air enlevé (le cas échéant).

### Vidange d'huile

- Pour vidanger l'huile du tube de remplissage, le réservoir de carburant doit être vide. Le carburant risque sinon de couler et de provoquer un incendie ou une explosion.

### En cas de basculement de l'unité pour l'entretien

- S'il est nécessaire de basculer l'unité au cours de l'entretien, le réservoir de carburant doit être vide, sinon le carburant risque sinon de couler et de provoquer un incendie ou une explosion.

### Pour transporter l'équipement

- Transporter avec le réservoir de carburant VIDE et le robinet de carburant en position FERMÉE.

### Pour stocker du carburant ou l'équipement avec un réservoir plein

- Les ranger loin des chaudières, cuisinières, chauffe-eau ou tout autre appareil comportant une veilleuse ou une source susceptible de produire une étincelle, car ils pourraient enflammer les vapeurs de carburant.



## AVERTISSEMENT



**Le démarrage du moteur produit des étincelles.**



**Les étincelles peuvent enflammer les gaz inflammables à proximité. Ceci pourrait provoquer une explosion ou un incendie.**

- S'il y a une fuite de gaz naturel ou de GPL à proximité, ne pas démarrer le moteur.
- Ne pas utiliser de liquides de démarrage sous pression car leurs vapeurs sont inflammables.



## AVERTISSEMENT



**La rétraction rapide de la corde de lanceur (retour brutal) tirera votre main et votre bras vers le moteur beaucoup plus vite que vous ne pourriez les laisser partir.**

**Ceci pourrait entraîner des fêlures, des fractures, des ecchymoses ou des foulures.**

- Pour démarrer le moteur, tirer lentement sur la corde jusqu'à sentir une résistance et tirer alors rapidement afin d'éviter l'effet de rétraction.
- Retirer tout équipement extérieur/charge avant de démarrer le moteur.
- Les composants directement couplés à l'équipement, tels que lames, turbines, poulies, engrenages, etc. sans que cette liste soit limitative, devront être fermement arrimés.



## AVERTISSEMENT



**RISQUE DE GAZ TOXIQUE. Les gaz d'échappement du moteur contiennent du monoxyde de carbone, un gaz toxique qui peut tuer en quelques minutes. Ce gaz est INVISIBLE, SANS odeur et SANS goût. Une personne peut être exposée au monoxyde de carbone même si elle ne sent pas de gaz d'échappement. Dès les premiers signes de nausées, étourdissements ou faiblesses en cours d'utilisation, arrêter le produit et sortir IMMÉDIATEMENT à l'air frais. Consulter un médecin. Il peut s'agir d'une intoxication au monoxyde de carbone.**

- Faire fonctionner ce produit UNIQUEMENT à l'écart des fenêtres, portes et ventilations afin de réduire le risque que le monoxyde de carbone ne s'accumule et ne pénètre dans les espaces occupés.
- Installer des alarmes de monoxyde de carbone fonctionnant sur piles ou sur secteur avec pile de secours conformément aux instructions du fabricant. Les détecteurs de fumée ne peuvent pas détecter le monoxyde de carbone.
- NE PAS faire fonctionner ce produit à l'intérieur des maisons, garages, caves, vides sanitaires, cabanes ou autres lieux partiellement fermés même si des ventilateurs sont utilisés ou si portes et fenêtres sont ouvertes pour créer une ventilation. Le monoxyde de carbone peut rapidement s'accumuler dans ces espaces et y stagner pendant des heures, même après extinction de ce produit.
- Placer SYSTÉMATIQUEMENT ce produit dans la direction du vent et diriger les gaz d'échappement du moteur à l'écart des espaces occupés.



## AVERTISSEMENT



**Les pièces en rotation peuvent toucher ou saisir les mains, les pieds, les cheveux, les vêtements ou les accessoires.**

**Le résultat peut en être une amputation ou une lacération grave.**

- Ne faire fonctionner l'équipement qu'avec les protections en place.
- Ne pas approcher les mains ou les pieds des pièces en mouvement.
- Attacher les cheveux longs et retirer les bijoux.
- Ne pas porter de vêtements amples, de ceintures larges pendantes ou tout vêtement pouvant être saisi.



## AVERTISSEMENT



**Un moteur en marche produit de la chaleur. Les pièces du moteur, et plus particulièrement le silencieux, deviennent extrêmement chaudes.**

**Les toucher peut provoquer des brûlures sévères.**



**Les débris combustibles comme les feuilles, l'herbe, les broussailles peuvent s'enflammer.**

- Laisser le silencieux, le cylindre du moteur et les ailettes refroidir avant de les toucher.
- Retirer les débris accumulés autour du silencieux et du cylindre.
- La Section 4442 du California Public Resource Code (Code des ressources publiques de Californie) interdit l'utilisation ou le fonctionnement du moteur dans des espaces recouverts de forêts, de broussailles ou d'herbe sauf si le système d'échappement est équipé d'un pare-étincelles, tel que défini dans la Section 4442, en bon état de fonctionnement. D'autres états ou juridictions fédérales peuvent appliquer des lois similaires. Contacter le fabricant, le distributeur ou le fournisseur d'origine de l'équipement pour obtenir un pare-étincelles conçu pour le système d'échappement installé sur ce moteur.



## AVERTISSEMENT



**Une étincelle accidentelle peut provoquer un incendie ou un choc électrique.**



**Un démarrage accidentel peut causer un étranglement, l'amputation ou la lacération d'un membre.**



**Risque d'incendie**

### Avant d'effectuer des réglages ou des réparations

- Débrancher le fil de bougie et l'attacher à bonne distance de la bougie.
- Débrancher le câble Négatif de la batterie (seulement pour les moteurs à démarrage électrique).
- N'utiliser que les outils corrects.
- Ne pas modifier les ressorts du régulateur, les tringles et autres pièces pour augmenter le régime du moteur.
- Les pièces de rechange doivent être strictement identiques et être installées dans la même position que les pièces d'origine. Des pièces autres risquent de ne pas fonctionner aussi bien, d'endommager l'unité et d'entraîner des blessures.
- Ne pas taper sur le volant moteur avec un marteau ou un objet dur cela pourrait entraîner une rupture ultérieure du volant pendant que le moteur fonctionne.

### Contrôle de l'étincelle

- Utiliser un contrôleur homologué.
- Ne pas contrôler l'étincelle avec la bougie retirée.

# Caractéristiques et commandes

Comparer l'illustration **1** avec votre moteur pour vous familiariser avec l'emplacement des différents composants et commandes.

- A. Identification du moteur  
**Modèle Type Code**
- B. Bougie
- C. Filtre à air cyclonique
- D. Filtre à air à dimensions réduites
- E. Jauge à huile
- F. Remplissage d'huile
- G. Filtre à huile
- H. Bouchon de vidange
- I. Capteur de pression d'huile
- J. Protège-mains
- K. Démarreur électrique
- L. Solénoïde du démarreur
- M. Régulateur/redresseur
- N. Carburateur
- O. Refroidisseur d'huile (en option)
- P. Silencieux d'échappement (en option)
- Q. Pompe d'alimentation
- R. Contacteur du démarreur \*
- S. Commande d'accélération \*
- T. Commande de starter \*
- U. Filtre à carburant (en option)

\* Certains moteurs et équipements disposent de commandes à distance. Consulter le manuel de l'équipement concernant l'emplacement et le fonctionnement de ces commandes.

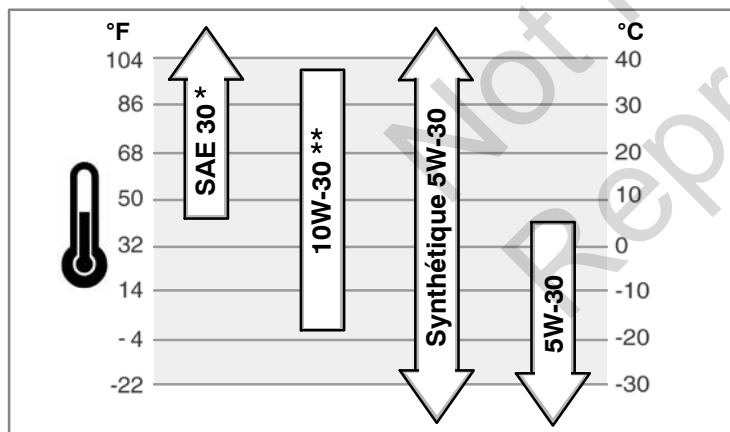
## Fonctionnement

Capacité d'huile (voir la section **Spécifications**)

### Recommandations concernant l'huile

Nous recommandons l'utilisation des huiles certifiées par Briggs & Stratton pour obtenir les meilleures performances. D'autres huiles détergentes de qualité sont acceptables si elles sont classées SF, SG, SH, SJ ou au-delà. Ne pas utiliser d'additifs.

La température extérieure détermine la viscosité de l'huile moteur. Utiliser le tableau pour sélectionner la viscosité qui convient à la température extérieure prévue.



\* L'emploi d'huile SAE 30 au-dessous de 4°C (40°F) rend le démarrage difficile.

\*\* L'utilisation d'une huile 10W-30 à des températures supérieures à 27°C (80°F) entraînera une consommation d'huile supérieure à la normale. Vérifier le niveau d'huile plus souvent.

### Vérification/Plein d'huile - Figure 2

Avant de vérifier ou de faire le plein d'huile

- Mettre le moteur de niveau.
  - Nettoyer le pourtour de l'orifice de remplissage de tout débris.
1. Sortir la jauge (A) et la nettoyer avec un chiffon propre (Figure 2).
  2. Mettre la jauge et la serrer.
  3. Retirer la jauge et vérifier le niveau. L'huile doit être au ras de l'indicateur de niveau maximum (B) de la jauge.
  4. S'il est bas, verser doucement de l'huile dans l'orifice de remplissage du moteur (C). **Ne pas trop remplir.** Après avoir ajouté de l'huile, attendre une minute et revérifier le niveau d'huile.
  5. Remettre la jauge et la serrer.

### Système de détection de niveau d'huile bas (le cas échéant)

Certains moteurs sont équipés d'un capteur de niveau d'huile bas. Si le niveau d'huile est bas, le capteur active un témoin lumineux ou arrête le moteur. Éteindre le moteur et suivre les étapes suivantes avant de redémarrer le moteur.

- S'assurer que le moteur est horizontal.
- Vérifier le niveau d'huile. Voir la section **Vérification/Plein d'huile**.
- Si le niveau d'huile est bas, ajouter la quantité d'huile adéquate. Démarrer le moteur et s'assurer que le témoin lumineux (le cas échéant) n'est pas allumé.
- Si le niveau d'huile n'est pas bas, **ne pas démarrer** le moteur. Contacter un Réparateur Agréé Briggs & Stratton pour corriger le problème lié à l'huile.

### Recommandations concernant le carburant

Le carburant doit répondre aux critères suivants:

- Essence récente, propre, sans plomb.
- Un indice minimum d'Octane de 87/87 AKI (91 RON). En cas d'utilisation en altitude, voir ci-après.
- L'essence contenant jusqu'à 10 % d'éthanol (bioéthanol) est acceptable.

**ATTENTION:** ne pas utiliser d'essence non approuvée, comme la E15 et la E85. Ne pas mélanger d'huile à l'essence ni modifier le moteur pour fonctionner avec des carburants alternatifs. L'utilisation de carburants non autorisés endommagera le moteur et **annulera la garantie moteur**.

Pour protéger le système d'admission d'essence contre la formation de gomme, mélanger un stabilisateur à l'essence. Voir le **stockage**. Tous les carburants ne sont pas les mêmes. En cas de difficultés à démarrer ou de problèmes de fonctionnement, changer de fournisseur ou de marque d'essence. Ce moteur est certifié pour fonctionner à l'essence. Le système de contrôle des émissions de ce moteur est EM (Modifications Moteur).

### Haute altitude

À des altitudes supérieures à 1524mètres, une essence ayant un indice minimum de 85 octane/85 AKI (89 RON) est acceptable. Pour rester conforme aux normes d'émissions, un réglage pour haute altitude est nécessaire. Le fonctionnement sans effectuer ce réglage entraîne une réduction de la performance et une augmentation de la consommation d'essence et des émissions. Consulter un Réparateur Agréé Briggs & Stratton pour plus d'informations sur le réglage pour haute altitude.

Le fonctionnement du moteur à une altitude inférieure à 762mètres avec le kit haute altitude n'est pas recommandé.

### Plein d'essence - Figure 3



#### AVERTISSEMENT



Le combustible et ses vapeurs sont extrêmement inflammables et explosifs.



Un incendie ou une explosion peut entraîner des blessures très graves ou même la mort.

#### Pour faire le plein

- Couper le moteur et le laisser refroidir au moins 2 minutes avant d'ouvrir le bouchon du réservoir.
- Remplir le réservoir de carburant à l'extérieur ou dans un local extrêmement bien ventilé.
- Ne pas trop remplir le réservoir. Pour permettre la dilatation du carburant, ne pas remplir plus haut que le bas du col du réservoir.
- Maintenir le carburant à l'écart des étincelles, des flammes directes, des veilles, de la chaleur et des autres sources d'étincelles.
- Contrôler que les durites, le réservoir, le bouchon et les raccords de carburant ne présentent ni fissures ni fuites. Remplacer si nécessaire.
- Si du carburant a été renversé, attendre son évaporation complète avant de démarrer le moteur.

1. Nettoyer le pourtour du bouchon d'essence de la poussière et des débris. Enlever le bouchon d'essence (A, Figure 3).
2. Faire le plein (B) de carburant. Pour permettre la dilatation du carburant, ne pas remplir au-delà du bas du col de remplissage (C).
3. Remettre le bouchon du réservoir en place.

### Démarrage du moteur - Figure 4



#### AVERTISSEMENT



Le combustible et ses vapeurs sont extrêmement inflammables et explosifs.



Un incendie ou une explosion peut entraîner des blessures très graves ou même la mort.

#### Pour démarrer le moteur

- S'assurer que la bougie, le bouchon du réservoir de carburant et le filtre à air sont le cas échéant montés et solidement fixés.
- Ne pas faire tourner le moteur avec la bougie enlevée.
- Si le moteur est noyé, placer le starter (le cas échéant) sur OPEN/RUN, amener l'accélérateur sur FAST et lancer le moteur jusqu'à ce qu'il démarre.



## AVERTISSEMENT

**RISQUE DE GAZ TOXIQUE.** Les gaz d'échappement du moteur contiennent du monoxyde de carbone, un gaz toxique qui peut tuer en quelques minutes. Ce gaz est INVISIBLE, SANS odeur et SANS goût. Une personne peut être exposée au monoxyde de carbone même si elle ne sent pas de gaz d'échappement. Dès les premiers signes de nausées, étourdissements ou faiblesses en cours d'utilisation, arrêtez le produit et sortez IMMÉDIATEMENT à l'air frais. Consultez un médecin. Il peut s'agir d'une intoxication au monoxyde de carbone.

- Faire fonctionner ce produit UNIQUEMENT à l'écart des fenêtres, portes et ventilations afin de réduire le risque que le monoxyde de carbone ne s'accumule et ne pénètre dans les espaces occupés.
- Installer des alarmes de monoxyde de carbone fonctionnant sur piles ou sur secteur avec pile de secours conformément aux instructions du fabricant. Les détecteurs de fumée ne peuvent pas détecter le monoxyde de carbone.
- NE PAS faire fonctionner ce produit à l'intérieur des maisons, garages, caves, vides sanitaires, cabanes ou autres lieux partiellement fermés même si des ventilateurs sont utilisés ou si portes et fenêtres sont ouvertes pour créer une ventilation. Le monoxyde de carbone peut rapidement s'accumuler dans ces espaces et y stagner pendant des heures, même après extinction de ce produit.
- Placer SYSTÉMATIQUEMENT ce produit dans la direction du vent et diriger les gaz d'échappement du moteur à l'écart des espaces occupés.

**AVIS:** Ce moteur a été expédié de chez Briggs & Stratton sans huile. Avant de le démarrer, s'assurer d'avoir fait le plein d'huile selon les instructions de ce manuel. Si le moteur est démarré sans huile, il sera endommagé irrémédiablement et ne sera pas couvert par la garantie.

*Remarque:* Certains moteurs et équipements disposent de commandes à distance. Consulter le manuel de l'équipement concernant l'emplacement et le fonctionnement de ces commandes.

1. Vérifier le niveau d'huile. Voir la section **Vérification/Plein d'huile**.
  2. Le cas échéant, s'assurer que l'entraînement de l'équipement est débrayé.
  3. Placer le robinet d'essence (A), le cas échéant, sur la position ON (Figure 4).
  4. Placer la commande d'accélération (B) sur la position FAST. Faire fonctionner le moteur sur la position FAST.
  5. Tirer la commande de starter (C), si équipé, vers la position CHOKE.
- Remarque:* Pour démarrer un moteur dont le circuit de carburant est sec (premier démarrage ou suite à une panne d'essence), prévoir impérativement un temps de mise en route supplémentaire en position CHOKE . Ainsi, la pompe à carburant aura le temps d'amorcer le circuit de carburant.

6. Mettre l'interrupteur d'arrêt (D), s'il existe, en position ON.
7. Mettre le contacteur du démarreur électrique (E) sur la position ON/START (Figure 4).
8. Si le moteur démarre mais cesse de fonctionner, placer la commande du starter (C) en position RUN pour démarrer le moteur.

**AVIS:** Pour préserver l'usage du démarreur, ne l'utiliser que pendant des cycles courts (cinq secondes maximum). Attendre une minute avant de recommencer.

*Remarque :* Si le moteur ne démarre pas après plusieurs tentatives, consulter le site [VanguardEngines.com](http://VanguardEngines.com) ou appeler le **1-800-999-9333** (aux États-Unis).

9. Au fur et à mesure du réchauffement du moteur, ramener le starter (C) sur la position RUN .

## Arrêt du moteur - Figure 4



## AVERTISSEMENT

**Le combustible et ses vapeurs sont extrêmement inflammables et explosifs.**

**Un incendie ou une explosion peut entraîner des blessures très graves ou même la mort.**

- Ne pas actionner le starter pour arrêter le moteur.

1. Placer la commande d'accélération sur la position SLOW, tourner le contacteur à clé (E) sur la position OFF (Figure 4). Retirer la clé et la conserver dans un endroit sûr, hors de la portée des enfants.
2. Mettre l'interrupteur (D), le cas échéant, en position OFF.
3. Quand le moteur est arrêté, mettre le robinet d'essence (A), le cas échéant, en position fermée.

## Entretien

Il est recommandé de consulter un Réparateur Agréé Briggs & Stratton pour tout l'entretien du moteur et l'acquisition de pièces.

**AVIS:** Tous les composants de ce moteur doivent rester à leur place d'origine pour que le moteur fonctionne correctement.



## AVERTISSEMENT:

S'il est nécessaire de basculer l'unité au cours de l'entretien, le réservoir de carburant doit être vide, sinon le carburant risque sinon de couler et de provoquer un incendie ou une explosion.

## Contrôle des émissions

L'entretien, le remplacement ou la réparation des dispositifs et des systèmes de contrôle des émissions gazeuses peut être effectué par tout établissement ou individu spécialisé dans la réparation des moteurs autres que les moteurs automobiles. Néanmoins, pour que les réparations soient prises en charge par Briggs & Stratton au titre de la garantie, l'intervention doit être effectuée par un Réparateur Agréé. Voir la garantie des émissions.



## AVERTISSEMENT



Une étincelle accidentelle peut provoquer un incendie ou un choc électrique.



Un démarrage accidentel peut causer un étranglement, l'amputation ou la lacération d'un membre.



Risque d'incendie

## Avant d'effectuer des réglages ou des réparations

- Débrancher le fil de bougie et l'attacher à bonne distance de la bougie.
- Débrancher le câble Négatif de la batterie (seulement pour les moteurs à démarrage électrique).
- N'utiliser que les outils corrects.
- Ne pas modifier les ressorts du régulateur, les tringles et autres pièces pour augmenter le régime du moteur.
- Les pièces de rechange doivent être strictement identiques et être installées dans la même position que les pièces d'origine. Des pièces autres risquent de ne pas fonctionner aussi bien, d'endommager l'unité et d'entraîner des blessures.
- Ne pas taper sur le volant moteur avec un marteau ou un objet dur cela pourrait entraîner une rupture ultérieure du volant pendant que le moteur fonctionne.

## Contrôle de l'étincelle

- Utiliser un contrôleur homologué.
- Ne pas contrôler l'étincelle avec la bougie retirée.

## Tableau d'entretien

<b>Après les 5 premières heures</b>
<ul style="list-style-type: none"> <li>• Vidanger l'huile</li> </ul>
<b>Toutes les 8 heures ou chaque jour</b>
<ul style="list-style-type: none"> <li>• Vérifier le niveau d'huile du moteur.</li> <li>• Nettoyer aux alentours du silencieux et des commandes</li> </ul>
<b>Toutes les 100 heures ou une fois par an</b>
<ul style="list-style-type: none"> <li>• Nettoyer ou changer le filtre à air * ▲</li> <li>• Vidanger l'huile moteur</li> <li>• Nettoyer le pré-filtre (le cas échéant) *</li> <li>• Remplacer la bougie</li> <li>• Inspecter le silencieux d'échappement et l'écran pare-étincelles</li> </ul>
<b>Toutes les 250 heures ou une fois par an</b>
<ul style="list-style-type: none"> <li>• Contrôler le jeu des soupapes. Régler si nécessaire.</li> </ul>
<b>Toutes les 400 heures ou une fois par an</b>
<ul style="list-style-type: none"> <li>• Changer le filtre à air ▲</li> <li>• Remplacer le filtre à carburant</li> <li>• Nettoyer le système de refroidissement par air *</li> <li>• Nettoyer les ailettes du refroidisseur d'huile *</li> </ul>
<b>Toutes les 600 heures ou une fois par an</b>
<ul style="list-style-type: none"> <li>• Changer le filtre de protection (le cas échéant)</li> </ul>

\* Nettoyer plus souvent dans des conditions d'utilisation en atmosphère poussiéreuse ou chargée de débris aériens.

▲ À chaque échéance de trois remplacements successifs du filtre à air, changer le filtre de sécurité intérieur (si prévu).

## Réglage du carburateur et du régime moteur

Ne jamais procéder aux ajustements du carburateur ou du régime. Le carburateur a été réglé en usine pour fonctionner de manière efficace dans la plupart des conditions. Ne pas modifier les ressorts du régulateur, les tringles et autres pièces pour augmenter le régime du moteur. Si des ajustements sont nécessaires, contacter un Réparateur Agréé Briggs & Stratton.

**AVIS:** le fabricant de l'équipement spécifie la vitesse maximum pour le moteur tel qu'installé sur l'équipement. **Ne pas dépasser** cette vitesse. En cas de doute concernant la vitesse maximum de l'équipement ou le régime moteur réglé en usine, contacter un Réparateur Agréé Briggs & Stratton pour obtenir de l'aide. Pour un fonctionnement sûr et approprié de l'équipement, le régime moteur ne doit être ajusté que par un technicien de service qualifié.

## Remplacement de la bougie - Figure 5

Vérifier l'écartement des électrodes (A, Figure 5) avec une jauge à fil (B). Le cas échéant, régler l'écartement. Remettre la bougie et la serrer au couple recommandé. Pour régler l'écartement et trouver le couple de serrage, voir la section **Spécifications**.

**Remarque:** Dans certains pays, la législation impose l'emploi de bougies à résistance pour supprimer les parasites de l'allumage. Si ce moteur était équipé d'une bougie avec résistance, utiliser le même type de bougie lors de son remplacement.

## Inspecter le silencieux et le pare-étincelles - Figure 6



### AVERTISSEMENT



**Un moteur en marche produit de la chaleur. Les pièces du moteur, et plus particulièrement le silencieux, deviennent extrêmement chaudes. Les toucher peut provoquer des brûlures sévères.**



**Les débris combustibles comme les feuilles, l'herbe, les broussailles peuvent s'enflammer.**

- Laisser le silencieux, le cylindre du moteur et les ailettes refroidir avant de les toucher.
- Retirer les débris accumulés autour du silencieux et du cylindre.
- La Section 4442 du California Public Resource Code (Code des ressources publiques de Californie) interdit l'utilisation ou le fonctionnement du moteur dans des espaces recouverts de forêts, de broussailles ou d'herbe sauf si le système d'échappement est équipé d'un pare-étincelles, tel que défini dans la Section 4442, en bon état de fonctionnement. D'autres états ou juridictions fédérales peuvent appliquer des lois similaires. Contacter le fabricant, le distributeur ou le fournisseur d'origine de l'équipement pour obtenir un pare-étincelles conçu pour le système d'échappement installé sur ce moteur.

Retirer les débris accumulés autour du silencieux et du cylindre. Inspecter le silencieux (A, Figure 6) à la recherche de fissures, de corrosion ou autre dommage. Enlever le pare-étincelles (B), le cas échéant, et inspecter s'il est endommagé ou obstrué par des dépôts de carbone. En présence de pièces endommagées, les remplacer avant toute utilisation.



**AVERTISSEMENT:** Les pièces de rechange doivent être strictement identiques et être installées dans la même position que les pièces d'origine. Des pièces autres risquent de ne pas fonctionner aussi bien, d'endommager l'unité et d'entraîner des blessures.

## Changement d'huile - Figure 7

L'huile usagée est un produit dangereux. S'en débarrasser correctement. Ne pas la jeter avec les ordures ménagères. Vérifier le lieu de collecte ou de recyclage avec les autorités locales, le centre de services ou le vendeur.

### Vidange de l'huile

1. Quand le moteur est arrêté mais encore chaud, débrancher le fil de bougie (A) et l'éloigner de la bougie (Figure 7).
2. Retirer le bouchon de vidange d'huile (B). Vidanger l'huile du moteur dans un récipient approuvé.
3. Quand l'huile a été vidangée, remettre le bouchon de vidange. Le serrer.

### Changer le filtre à huile

Tous les modèles sont équipés d'un filtre à huile. Pour connaître les intervalles de maintenance, se reporter au **Tableau d'entretien**.

1. Vidanger l'huile du moteur. Voir la section **Vidange de l'huile**.
2. Déposer le filtre à huile (C, Figure 7) et le jeter correctement.
3. Avant d'installer le nouveau filtre à huile, lubrifier légèrement le filtre avec de l'huile neuve.
4. Installer le filtre à huile à la main jusqu'à ce que le joint soit au contact de l'adaptateur du filtre puis visser le filtre de 1/2 à 3/4 tours.
5. Ajouter de l'huile. Voir la section **Faire le plein d'huile**.
6. Démarrer puis faire tourner le moteur. Lorsque le moteur chauffe, détecter les éventuelles fuites d'huile.

7. Arrêter le moteur et vérifier le niveau d'huile. L'huile doit être au ras de l'indicateur de niveau maximum (F) de la jauge.

### Faire le plein d'huile

- Mettre le moteur de niveau.
  - Nettoyer le pourtour de l'orifice de remplissage de tout débris.
  - Voir la capacité d'huile dans la section **Spécifications**.
1. Sortir la jauge (D, Figure 7) et la nettoyer avec un chiffon propre.
  2. Verser doucement l'huile dans l'orifice de remplissage (E). **Ne pas trop remplir.** Après avoir fait le plein d'huile, attendre une minute et revérifier le niveau d'huile.
  3. Remettre la jauge et la visser.
  4. Retirer la jauge et vérifier le niveau. L'huile doit être au ras de l'indicateur de niveau maximum (F) de la jauge.
  5. Remettre la jauge et la visser.

### Entretien du filtre à air - Figure 8 9



### AVERTISSEMENT



**Le combustible et ses vapeurs sont extrêmement inflammables et explosifs.**



**Un incendie ou une explosion peut entraîner des blessures très graves ou même la mort.**

- Ne pas démarrer ou faire fonctionner un moteur sans filtre à air ou avec le filtre à air enlevé (le cas échéant).

**AVIS:** Ne pas utiliser d'air comprimé ni de solvant pour nettoyer le filtre à air. L'air comprimé peut endommager le filtre, les solvants le dissoudre.

Le système de filtre à air utilise un filtre à air cyclonique ou un filtre à air à dimensions réduites. Se reporter au **Tableau d'entretien** pour connaître les conditions de service.

#### Système de filtre à air cyclonique

1. Ouvrir les languettes (A) et retirer le couvercle (B). Voir Figure 8.
2. Déposer le filtre à air (C).
3. Pour le nettoyer, le tapoter doucement contre une surface dure. Si le filtre à air est excessivement encrassé, le remplacer par un neuf.
4. Le système de filtre à air cyclonique est également équipé d'un filtre de protection (D) (le cas échéant). Voir le **Tableau d'entretien** pour connaître les conditions de service. Pour le déposer, retirer doucement le filtre de protection du corps du filtre à air (E) et le jeter. Veiller à ce qu'aucune poussière ou saleté ne pénètre dans le moteur.
5. Monter le nouveau filtre sur le corps du filtre à air.
6. Installer le filtre à air sur le filtre de protection.
7. Installer le couvercle et fermer les languettes.

#### Système de filtre à air à dimensions réduites

1. Déposer l'écrou papillon (F) et le couvercle (G). Voir Figure 9.
2. Déposer l'écrou (H) et le support (J).
3. Déposer le filtre à air (K).
4. Retirer le pré-filtre (L), le cas échéant, du filtre à air.
5. Pour le nettoyer, le tapoter doucement contre une surface dure. Si le filtre à air est excessivement encrassé, le remplacer par un neuf.
6. Nettoyer le pré-filtre dans de l'eau additionnée de détergent liquide. **Ne pas graisser** le pré-filtre.
7. Assembler le pré-filtre sec sur le filtre à air.
8. Installer le filtre à air et le fixer avec un support et un écrou.
9. Remonter le couvercle et le fixer avec les écrous papillon.

### Nettoyage du système de refroidissement par

#### air - Figure 11 12



### AVERTISSEMENT



**Un moteur en marche produit de la chaleur. Les pièces du moteur, et plus particulièrement le silencieux, deviennent extrêmement chaudes. Les toucher peut provoquer des brûlures sévères.**



**Les débris combustibles comme les feuilles, l'herbe, les broussailles peuvent s'enflammer.**

- Laisser le silencieux, le cylindre du moteur et les ailettes refroidir avant de les toucher.
- Retirer les débris accumulés autour du silencieux et du cylindre.

**AVIS:** Ne pas utiliser d'eau pour nettoyer le moteur. L'eau peut contaminer le système d'alimentation en essence. Utiliser une brosse ou un chiffon sec pour nettoyer le moteur.

Ce moteur est refroidi par air. De la poussière ou des débris peuvent affecter le débit d'air et faire chauffer le moteur, ce qui réduit ses performances et sa durée de vie.

Utiliser une brosse ou un chiffon sec pour enlever les débris du protège doigts (A, Figure 11). Nettoyer les bielles, les ressorts et les commandes (B). Ne pas laisser les débris combustibles s'accumuler autour et derrière le silencieux d'échappement (C). Vérifier que les ailettes du refroidisseur d'huile (D) sont exemptes de saletés et de débris. Nettoyer la zone située sous le panneau (E, Figure 12). Desserrer les deux vis (F) jusqu'à ce qu'un clic retentisse. Retirer le panneau et nettoyer les saletés et débris de la zone. Vérifier que le dessous du panneau est également propre. Installer le panneau et serrer les vis jusqu'à ce qu'un clic retentisse.

## Remplacer le filtre à carburant - Figure 10



### AVERTISSEMENT



Le combustible et ses vapeurs sont extrêmement inflammables et explosifs.



Un incendie ou une explosion peut entraîner des blessures très graves ou même la mort.

- Maintenir le carburant à l'écart des étincelles, des flammes directes, des veilleuses, de la chaleur et des autres sources d'étincelles.
- Contrôler que les Durits, le réservoir, le bouchon et les raccords de carburant ne présentent ni fissures ni fuites. Remplacer si nécessaire.
- Avant de nettoyer ou de remplacer le filtre à carburant, vidanger le réservoir d'essence ou fermer le robinet d'essence.
- Les pièces de rechange doivent être d'origine et installées de la même façon que les pièces précédentes.
- Si du carburant a été renversé, attendre son évaporation complète avant de démarrer le moteur.

1. Avant de remplacer le filtre à carburant (A, Figure 10), s'il existe, vidanger le réservoir de carburant ou fermer le robinet d'essence. Dans le cas contraire, le carburant risque de couler et de provoquer un incendie ou une explosion.
2. Utiliser des pinces pour serrer les languettes (B) sur les agrafes (C) puis retirer les agrafes du filtre à carburant. Tourner puis ôter les Durits (D) du filtre à carburant.
3. Vérifier que les Durits ne présentent ni fissures ni fuites. Les remplacer si nécessaire.
4. Remplacer le filtre à carburant par un filtre d'origine.
5. Fixer les Durits avec les agrafes comme indiqué.

## Stockage



### AVERTISSEMENT



Le combustible et ses vapeurs sont extrêmement inflammables et explosifs.



Un incendie ou une explosion peut entraîner des blessures très graves ou même la mort.

#### Pour stocker du carburant ou l'équipement avec un réservoir plein

- Les ranger loin des chaudières, cuisinières, chauffe-eau ou tout autre appareil comportant une veilleuse ou une source susceptible de produire une étincelle, car ils pourraient enflammer les vapeurs de carburant.

### Système d'alimentation

L'essence peut s'éventer lorsqu'elle est conservée plus de 30 jours. L'essence périmée provoque la formation de dépôts d'acide et de gomme dans le système d'alimentation ou sur des pièces essentielles du carburateur. Pour maintenir l'essence propre, utiliser le **la formule avancée de stabilisation et de traitement de l'essence de Briggs & Stratton** disponible dans tous les points de vente des pièces de rechange Briggs & Stratton d'origine.

Pour les moteurs équipés d'un bouchon d'essence FRESH START®, utiliser le stabilisateur **FRESH START® de Briggs & Stratton** disponible en cartouche de concentré à écoulement progressif.

Il n'est pas nécessaire de vidanger l'essence du moteur si un stabilisateur est ajouté conformément aux instructions. Faire fonctionner le moteur pendant 2 minutes pour faire circuler le stabilisateur dans le système d'alimentation avant le remisage.

Si l'essence n'a pas été traitée avec un stabilisateur, elle doit être vidangée dans un récipient approuvé. Faire fonctionner le moteur jusqu'à ce qu'il s'arrête en panne sèche. L'utilisation d'un stabilisateur d'essence dans le réservoir de stockage est recommandée pour en conserver la fraîcheur.

### Huile moteur

Pendant que le moteur est encore chaud, changer l'huile du moteur.

### Dépannage

Besoin d'aide? Aller sur [VanguardEngines.com](http://VanguardEngines.com) ou appeler **1-800-999-9333** (aux États-Unis).

## Spécifications

Spécifications du moteur	
Modèle	540000
Cylindrée	54,68 ci (896 cc)
Alésage	3,366 in (85,5 mm)
Course	3,071 in (78,0 mm)
Capacité d'huile	78 - 80 oz (2,3 - 2,4 L)

Spécifications de réglage *	
Modèle	540000
Écartement des électrodes	0,030 in (0,76 mm)
Couple de serrage de la bougie	180 lb-in (20 Nm)
Entrefer bobine	0,005 - 0,008 in (0,13 - 0,20 mm)
Jeu de soupape d'admission	0,004 - 0,006 in (0,10 - 0,15 mm)
Jeu de soupape d'échappement	0,004 - 0,006 in (0,10 - 0,15 mm)

Spécifications du moteur	
Modèle	610000
Cylindrée	60,60 ci (993 cc)
Alésage	3,366 in (85,5 mm)
Course	3,406 in (86,5 mm)
Capacité d'huile	78 - 80 oz (2,3 - 2,4 L)

Spécifications de réglage *	
Modèle	610000
Écartement des électrodes	0,030 in (0,76 mm)
Couple de serrage de la bougie	180 lb-in (20 Nm)
Entrefer bobine	0,005 - 0,008 in (0,13 - 0,20 mm)
Jeu de soupape d'admission	0,004 - 0,006 in (0,10 - 0,15 mm)
Jeu de soupape d'échappement	0,004 - 0,006 pouces (0,10 - 0,15 mm)

\* La puissance du moteur décroît de 3,5% par 300 mètres d'altitude au-dessus du niveau de la mer et de 1% par 5,6° C au-delà de 25° C. Le moteur fonctionne normalement jusqu'à 15° d'inclinaison. Voir le manuel d'utilisation de l'équipement pour les limites autorisées de fonctionnement en pente.

### Pièces d'entretien courant ✓

Pièce d'entretien	Référence
Filtre à air cyclonique	841497
Filtre de sécurité cyclonique	821136
Filtre à air à dimensions réduites	692519
Pré-filtre à dimensions réduites	692520
Huile - SAE 30	100028
Filtre à huile	842921

Pièce d'entretien	Référence
Filtre à carburant	691035
Additif pour l'essence	5041, 5058
Bougie à résistance	491055
Bougie en platine longue durée	5066
Clé à bougie	19374
Éclateur	19368

✓ Nous recommandons de voir un Réparateur Agréé Briggs & Stratton pour tout l'entretien du moteur et de ses pièces.

## GARANTIE LIMITÉE

Briggs & Stratton garantit que, pendant la période de garantie spécifiée ci-dessous, il remplacera ou réparera gratuitement toute pièce du moteur présentant un défaut de matière ou de fabrication ou les deux. Tous les frais de transport du produit destiné à être remplacé ou réparé au titre de la présente garantie restent à charge de l'acheteur. Cette garantie est applicable pendant la période et aux conditions prévues dans le présent document. Pour toute intervention sous garantie, cherchez le Réparateur Agréé Briggs & Stratton le plus proche dans la liste des Réparateurs Agréés sur notre site Internet BRIGGSandSTRATTON.COM. L'acheteur doit contacter le Réparateur Agréé puis mettre le moteur ou le produit à sa disposition pour inspection et essais.

**Il n'existe aucune autre garantie expresse. Les garanties implicites, y compris celles de la valeur marchande et d'adaptation à un objectif particulier, sont limitées à un an à partir de la date d'achat ou à la période légale admise. Toute autre garantie implicite est exclue. Notre responsabilité pour les dégâts provoqués par l'équipement ou les dommages-intérêts accessoires est exclue dans la limite des exclusions autorisées par la loi.** Certains pays ou États/provinces n'autorisent aucune restriction sur la durée d'une garantie implicite, et certains pays ou États/provinces n'autorisent pas l'exclusion ou la limitation des dommages accessoires ou indirects. Par conséquent, les restrictions et exclusions décrites ci-dessus pourraient ne pas s'appliquer dans certains cas. La présente garantie accorde légalement à l'utilisateur certains droits spécifiques auxquels peuvent également s'ajouter d'autres droits qui varient d'un pays ou d'un État à l'autre \*\*.

## CONDITIONS DE GARANTIE STANDARD \* ▲

Marque/Type de produit	Usage privé	Usage professionnel
Vanguard™ ■	3 ans	3 ans
Commercial Turf Series™	2 ans	2 ans
Extended Life Series™ ; I/C®; Intek™ I/C®; Intek™ Pro;™ Professional Series™ avec chemise en fonte Dura-Bore™ ; 850 Series™ avec chemise en fonte Dura-Bore™ ; Snow Series MAX™ avec chemise en fonte Dura-Bore™ Tous les autres moteurs Briggs & Stratton comportant une chemise en fonte Dura-Bore™	2 ans	1 an
Tous les autres moteurs Briggs & Stratton	2 ans	90 jours

\* Ces conditions sont nos conditions de garantie standard. Néanmoins, dans certains cas, nos produits peuvent bénéficier d'une couverture supplémentaire qui n'était pas déterminée au moment de la publication. Pour consulter les conditions de garantie actuelles de votre moteur, rendez-vous sur BRIGGSandSTRATTON.COM ou contactez le Réparateur Agréé Briggs & Stratton.

\*\* En Australie - Nos produits disposent de garanties qui ne peuvent être exclues dans le cadre du droit de la consommation australien. Vous êtes en droit de bénéficier d'un remplacement ou d'un remboursement pour une défaillance majeure, ou d'un dédommagement pour toute autre perte ou tout autre dommage raisonnablement prévisible. Vous êtes aussi en droit de bénéficier de la réparation ou du remplacement des produits si ceux-ci s'avèrent ne pas être de qualité acceptable et si la défaillance n'est pas majeure. Pour toute intervention sous garantie, cherchez le Réparateur Agréé Briggs & Stratton le plus proche en consultant la liste des Réparateurs sur BRIGGSandSTRATTON.COM, en composant le 1300 274 447, en envoyant un message électronique à salesenquiries@briggsandstratton.com.au, ou en écrivant directement à Briggs & Stratton Australia Pty Ltd, 1 Moorebank Avenue, Moorebank, NSW, Australie, 2170.

▲ Groupes électrogènes stationnaires: 2ans de garantie en usage privé. Pas de garantie en usage professionnel. Les équipements utilisés pour une alimentation principale en remplacement du réseau public d'électricité ne sont pas couverts par la présente garantie. **Les moteurs utilisés en compétition ou avec un but d'exploitation commerciale ou de location ne sont pas garantis.**

■ Vanguard installés sur les groupes électrogènes stationnaires: 2ans de garantie en usage privé, pas de garantie en usage professionnel. Vanguard installés sur des véhicules utilitaires: 2ans de garantie en usage privé, 2ans de garantie en usage professionnel. Vanguard 3cylindres refroidis à eau: consulter l'application de la garantie sur les moteurs Briggs & Stratton 3/LC.

La période de garantie débute à la date d'achat par l'acheteur particulier initial ou l'utilisateur professionnel final et continue pendant la période indiquée dans le tableau ci-dessus. «Usage privé» signifie utilisation pour l'entretien de sa résidence personnelle par un acheteur particulier. «Usage commercial» couvre toutes les autres utilisations, y compris dans un but commercial, de rentabilité ou de location. Dès qu'un moteur a servi à un usage commercial, il sera considéré comme moteur à usage commercial dans le cadre de la présente garantie.

**Pour tous les équipements fabriqués par Briggs & Stratton, l'enregistrement de la garantie n'est pas obligatoire pour qu'elle prenne effet. Conserver le reçu comme preuve d'achat. Si, lors d'une demande d'intervention sous garantie, la date initiale d'achat ne peut être fournie, la date de fabrication du produit sert de référence pour déterminer la période de garantie.**

## Au sujet de la garantie

Briggs & Stratton se fera un plaisir d'effectuer une réparation en garantie tout en déplorant les inconvénients qu'elle peut vous occasionner. Tout Réparateur Agréé peut effectuer des réparations en garantie. La plupart des réparations en garantie sont effectuées sans discussion mais il peut arriver que la demande de réparation en garantie soit injustifiée. Afin d'éviter tout malentendu entre les propriétaires de moteurs et les Réparateurs Agréés Briggs & Stratton, nous indiquons ci-après quelques-unes des causes de défaillance des moteurs pour lesquelles le remplacement ou la réparation ne sont pas couverts par la garantie.

**Usure normale:** Les moteurs, comme tous les dispositifs mécanisés, nécessitent un entretien régulier et le remplacement des pièces d'usure pour fonctionner correctement. Cette garantie ne couvre pas la réparation de pièces ou d'équipements usés par un usage normal. La garantie ne s'applique pas quand la défaillance du moteur est due à un abus, un manque d'entretien courant, l'expédition, la manutention, l'entreposage ou une mauvaise installation. Il en va de même si le numéro de série du moteur a été éliminé ou que le moteur a été modifié ou trafiqué.

**Entretien inadéquat:** La longévité d'un moteur dépend des conditions dans lesquelles il est utilisé et de l'entretien qu'il reçoit. Certaines applications, comme les motoculteurs, les pompes et les tondeuses, sont souvent utilisées dans un environnement poussiéreux ou sale, ce qui peut être la cause d'une usure pouvant paraître prématurée. Une telle usure, lorsqu'elle est consécutive à l'entrée de poussière, sable ou autre produit abrasif à cause d'un mauvais entretien, n'est pas couverte par la garantie.

**Cette garantie couvre uniquement les pièces défectueuses et/ou la main d'œuvre et pas le remplacement ou le remboursement de l'équipement sur lequel est monté le moteur. La garantie ne s'applique pas non plus aux réparations dues à :**

- 1 Des problèmes provoqués par l'emploi de pièces non d'origine Briggs & Stratton.
- 2 Les commandes de l'équipement ou les dispositifs qui empêchent le démarrage, perturbent le fonctionnement du moteur ou abrègent sa durée de vie. (Contactez le fabricant de l'équipement.)
- 3 Les fuites de carburateur, l'obstruction des Durits d'alimentation, le gommage des soupapes ou autres dommages provoqués par une essence contaminée ou trop vieille.

- 4 Les pièces qui seraient rayées ou cassées du fait du fonctionnement du moteur avec un manque d'huile ou d'une huile polluée, ou encore d'un indice de viscosité de l'huile inadéquat (vérifier et refaire le niveau quand c'est nécessaire et vidanger aux périodes recommandées). Le dispositif OIL GARD peut ne pas couper un moteur en marche. Le moteur peut être endommagé si le niveau d'huile n'est pas maintenu régulièrement.
- 5 La réparation ou le réglage de pièces ou d'un groupe de pièces associées tels que les embrayages, transmissions, commandes à distance, etc., qui ne sont pas fabriqués par Briggs & Stratton.
- 6 Les dommages ou l'usure de pièces provoqués par la pénétration de poussière due au manque d'entretien ou au mauvais montage du filtre à air ou à l'emploi d'un élément ou d'une cartouche de filtre à air non d'origine. Aux intervalles recommandés, nettoyer et/ou remplacer le filtre comme indiqué dans le manuel d'utilisation.
- 7 Les pièces endommagées suite à un surrégime ou une surchauffe provoqués par l'obstruction des ailettes de refroidissement et de la zone du volant par des débris d'herbe ou de la poussière ou par l'utilisation du moteur dans un local fermé insuffisamment ventilé. Nettoyer les débris aux intervalles recommandés comme indiqué dans le manuel d'utilisation.
- 8 Le bris de pièces du moteur ou de l'équipement dû à des vibrations excessives résultant d'un serrage insuffisant des boulons de fixation du moteur, d'une lame ou d'une turbine desserrée ou mal équilibrée, d'une mauvaise adaptation de l'équipement sur le vilebrequin du moteur, d'un surrégime ou d'une mauvaise utilisation.
- 9 Vilebrequin faussé ou cassé suite au choc de la lame d'une tondeuse rotative sur un corps dur, ou d'une courroie trapézoïdale trop tendue.
- 10 Réglage ou mise au point normale du moteur.
- 11 La défaillance du moteur ou des pièces du moteur, telles que la chambre de combustion, les soupapes, sièges de soupapes, guides de soupapes ou bobinages du démarreur grillés, suite à l'emploi de carburants de substitution tels que du pétrole liquéfié, du gaz naturel, de l'essence formulée avec de l'éthanol à plus de 10 %, etc.

**Les interventions sous garantie ne sont effectuées que par les Réparateurs Agréés de Briggs & Stratton. Recherchez-les dans la liste des Réparateurs Agréés Briggs & Stratton sur notre site Internet BRIGGSandSTRATTON.com ou en composant le 1-800-233-3723 (aux États-Unis).**



Le California Air Resources Board (CARB), l'U.S. EPA et Briggs & Stratton (B&S) ont le plaisir de vous expliquer la garantie du système de contrôle des émissions pour votre moteur/équipement fabriqué 2013-2014. En Californie, les petits moteurs à usage non routier et les gros moteurs à explosion d'un litre ou moins, neufs, doivent être conçus, fabriqués et équipés pour répondre aux normes sévères anti-effet de serre de l'État. B&S doit garantir le système de contrôle des émissions de votre moteur/équipement pendant les durées indiquées ci-après, en supposant que le moteur/équipement n'ait pas fait l'objet d'abus, de négligence ou d'un mauvais entretien.

Votre système de régulation des émissions d'échappement peut comporter des pièces telles que le carburateur, le système d'injection de carburant, le système d'allumage et le convertisseur catalytique. Peuvent également être inclus des durits, des courroies, des raccords, des capteurs et d'autres composants liés aux émissions. Votre système de régulation des émissions par évaporation peut inclure des pièces telles que: carburateurs, réservoirs de carburant, canalisations de carburant, bouchons de remplissage de carburant, vannes, absorbeurs de gaz, filtres, durits de vapeur, colliers, raccords et autres composants associés.

Si la condition de garantie est remplie, B&S réparera gratuitement votre moteur/équipement y compris le diagnostic, les pièces et la main-d'œuvre.

#### Couverture de la garantie du fabricant:

Les petits moteurs à usage non routier et les gros moteurs à explosion d'un litre ou moins ainsi que les éventuels composants liés aux émissions de l'équipement sont

garantis pendant une période de deux (2) ans\*. Si une pièce liée aux émissions de votre moteur/équipement est défectueuse, Briggs & Stratton la réparera ou la remplacera.

\* Une période de deux ans ou la période stipulée dans la déclaration de garantie du moteur ou du produit concerné, selon celle qui est la plus longue.

#### Responsabilités du propriétaire au titre de la garantie:

- En tant que propriétaire d'un moteur/équipement, vous êtes responsable de l'entretien nécessaire indiqué dans le manuel d'utilisation. B&S recommande de conserver toutes les factures de maintenance de votre moteur/équipement mais B&S ne peut renier la garantie uniquement à cause de l'absence de factures ou parce que tous les entretiens n'ont pas été effectués en temps prévu.
- En tant que propriétaire d'un moteur/équipement, vous devez néanmoins savoir que B&S peut refuser d'appliquer la garantie si la défectuosité de votre moteur/équipement ou d'une partie de celui-ci est due à un abus, une négligence, un entretien non correct ou des modifications non approuvées.
- Vous avez la responsabilité de confier votre moteur/équipement à un centre de distribution, un Réparateur Agréé ou toute entité équivalente de B&S, selon la solution applicable, dès que le problème apparaît. Les réparations effectuées sous garantie doivent l'être en un temps raisonnable qui ne doit pas excéder trente (30) jours. Si vous avez des questions concernant vos droits et vos responsabilités au titre de la garantie, contactez B&S au 1-800-444-7774 (aux États-Unis) ou BRIGGSandSTRATTON.COM.

### Dispositions de la garantie du système de contrôle des émissions de Briggs & Stratton

Suivent les dispositions particulières de la couverture de la garantie du système de contrôle des émissions. Elles viennent en complément de la garantie des moteurs B&S pour les moteurs non réglemémentés qui se trouve dans le manuel d'utilisation.

#### 1. Pièces relatives au contrôle des émissions garanties

La couverture au titre de cette garantie ne s'étend qu'aux pièces énumérées ci-dessous (celles du système de contrôle des émissions) dans la mesure où ces pièces étaient présentes sur le moteur B&S et/ou le circuit d'alimentation prévu par B&S.

- Système de dosage du carburant**
  - Système d'enrichissement pour démarrages à froid (starter)
  - Carburateur et pièces internes
  - Pompe à carburant
  - Durit et raccords de carburant, colliers
  - Réservoir de carburant, bouchon et câble d'attache
  - Réservoir à charbon activé
- Système d'admission d'air**
  - Filtre à air
  - Collecteur d'admission
  - Conduite de vidange et de mise à l'air
- Système d'allumage**
  - Bougie(s)
  - Système d'allumage par volant magnétique
- Système catalytique**
  - Convertisseur catalytique
  - Collecteur d'échappement
  - Système d'injection d'air ou soupape d'impulsion
- Pièces diverses utilisées dans les systèmes ci-dessus**
  - Soupapes et contacteurs de dépression, de température, de position et de durée
  - Raccords et assemblages

#### 2. Durée de la couverture

Pendant une période de deux (2) ans à compter de la date de l'achat initial\*, B&S garantit à l'acheteur initial et à chaque acheteur suivant que le moteur est conçu, fabriqué et équipé de manière à être en conformité avec toutes les réglementations applicables adoptées par l'Air Resources Board, qu'il est exempt de tout défaut de matière ou de construction susceptible d'entraîner la défaillance d'une pièce garantie et qu'il est matériellement identique en tous points au moteur décrit dans la demande

de certification du fabricant. La période de garantie démarre à la date de l'achat initial du moteur.

\* Une période de deux ans ou la période stipulée dans la déclaration de garantie du moteur ou du produit concerné, selon celle qui est la plus longue.

La garantie sur les pièces liées aux émissions est comme suit:

- Toute pièce garantie dont le remplacement n'est pas prévu dans le cadre de la maintenance obligatoire indiquée dans le manuel d'utilisation fourni est garantie pendant la période susmentionnée. Si cette pièce se révélait être défectueuse au cours de la période de garantie, elle serait réparée ou remplacée par B&S sans aucun frais pour le propriétaire. La pièce ainsi réparée ou remplacée sera garantie pour la période restante.
- Toute pièce garantie dont seule une inspection régulière est prévue dans le manuel d'utilisation fourni est garantie pendant la période susmentionnée. La pièce réparée ou remplacée dans le cadre de la garantie sera garantie pour la période restante.
- Toute pièce garantie dont le remplacement est prévu dans le cadre de la maintenance obligatoire indiquée dans le manuel d'utilisation fourni est garantie pendant la période précédant le premier remplacement prévu de cette pièce. Si cette pièce se révélait être défectueuse avant le premier remplacement prévu, elle serait réparée ou remplacée par B&S sans aucun frais pour le propriétaire. La pièce ainsi réparée ou remplacée sera garantie pour la période restante précédant le premier remplacement prévu de ladite pièce.
- Les pièces ajoutées ou modifiées qui ne sont pas exemptées par l'Air Resources Board ne peuvent être utilisées. L'utilisation par le propriétaire de pièces ajoutées ou modifiées non exemptées sera un motif de rejet de toute réclamation. Le fabricant ne peut en aucun cas être tenu de garantir les défaillances de pièces garanties dues à l'utilisation de pièces non exemptées ajoutées ou modifiées.

#### 3. Couverture des conséquences

La présente couverture s'étend à la défaillance de tout composant du moteur due à la défaillance d'une pièce liée aux émissions garantie.

#### 4. Réclamations et exclusions de garantie

Les réclamations sous garantie seront présentées selon les dispositions de la police de garantie des moteurs de B&S. La garantie ne couvre pas les défaillances de pièces liées aux émissions qui ne sont pas des pièces B&S d'origine ou les défaillances de pièces qui ont fait l'objet d'abus, de négligence ou d'un mauvais entretien ainsi qu'indiqué dans la police de garantie des moteurs de B&S. B&S n'est pas tenu de couvrir la garantie des défaillances des pièces liées aux émissions dues à l'utilisation de pièces rajoutées ou modifiées.

### Consultez les informations sur la période de durabilité des émissions et l'indice d'air sur l'étiquette d'émissions du petit moteur à usage non routier

Les moteurs qui sont certifiés conformes à la norme d'émissions relatives aux petits moteurs à usage non routier du California Air Resources Board (CARB) doivent afficher l'information concernant la période de durabilité des émissions et l'indice d'air. Cette information est indiquée sur les étiquettes apposées sur les moteurs par Briggs & Stratton. L'étiquette du moteur indique les informations de certification.

La **période de durabilité des émissions** indique le nombre d'heures d'utilisation normale pour lequel le moteur est certifié conforme aux normes d'émissions sous réserve d'un entretien approprié tel qu'indiqué dans le manuel d'utilisation et d'entretien. Les catégories suivantes sont utilisées:

#### Modéré:

le moteur est certifié conforme pour 125 heures d'utilisation normale.

#### Intermédiaire:

le moteur est certifié conforme pour 250 heures d'utilisation normale.

#### Étendu:

le moteur est certifié conforme pour 500 heures d'utilisation normale. Par exemple, une tondeuse à conducteur marchant classique est utilisée 20 à 25 heures par an. Par conséquent, la **période de durabilité des émissions** d'un moteur de catégorie **intermédiaire** équivaudrait à une douzaine d'années.

Les moteurs Briggs & Stratton sont certifiés conformes aux normes environnementales d'émissions de la United States Environmental Protection Agency (U.S. EPA) Phase 2 ou Phase 3. La période de conformité d'émissions mentionnée sur les étiquettes indique le nombre d'heures d'utilisation pour lequel le moteur est en conformité avec les normes fédérales.

Pour les moteurs de cylindrée inférieure à 225 cm<sup>3</sup>.

Catégorie C = 125 heures, catégorie B = 250 heures et catégorie A = 500 heures.

Pour les moteurs de plus de 225 cm<sup>3</sup>.

Catégorie C = 250 heures, catégorie B = 500 heures et catégorie A = 1000 heures.

## Informazioni generali

Questo manuale contiene norme di sicurezza importanti per prevenire ogni rischio associato ai motori nonché le istruzioni per il corretto utilizzo e la manutenzione del motore. Poiché Briggs & Stratton Corporation non conosce necessariamente l'applicazione sulla quale verrà installato questo motore, è molto importante leggere e capire l'intero contenuto del manuale d'istruzioni dell'attrezzatura sulla quale è installato il motore. **Conservare le presenti istruzioni originali per consultazione futura.** Registrare di seguito il modello del motore, il tipo e i numeri di codice insieme alla data di acquisto. Questi numeri saranno necessari quando si richiedono le parti di ricambio o assistenza tecnica (per la posizione di questi numeri sul motore, vedere la pagina **Caratteristiche e comandi**).

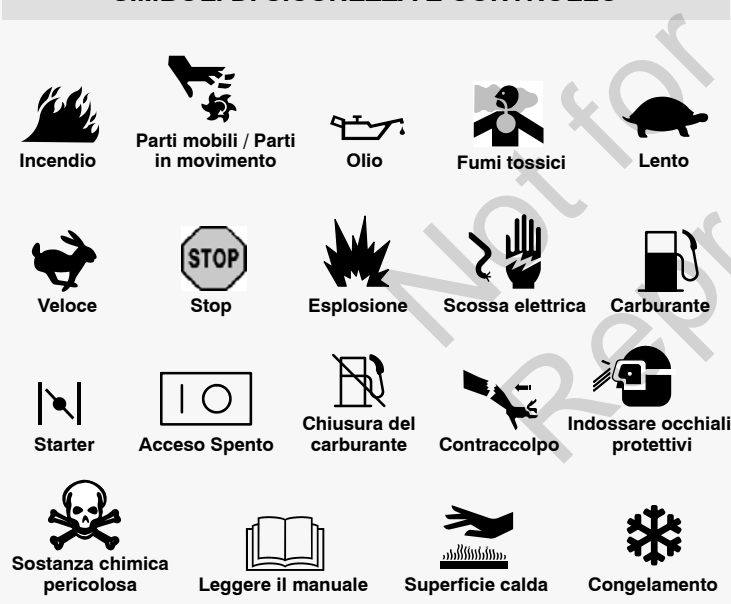
**Data di acquisto:** \_\_\_\_\_  
MM/GG/AAAA


**Modello del motore:** \_\_\_\_\_  
Modello:                      Tipo:                      Codice:


**Potenza nominale:** La potenza totale all'albero per motori singoli è classificata secondo la normativa SAE (Society of Automotive Engineers) J1940 (Small Engine Power & Torque Rating Procedure, calcolo della potenza e coppia per piccoli motori), in accordo con la normativa SAE J1995. I valori di torsione sono ricavati da 2600 giri/min per quei motori con i "giri/min" indicati sull'etichetta e 3060 giri/min per tutti gli altri; i valori dei cavalli vapore sono derivati a 3600 giri/min. Le curve di potenza possono essere visualizzate presso [www.BRIGGSandSTRATTON.COM](http://www.BRIGGSandSTRATTON.COM). La coppia netta viene misurata con i filtri dell'aria e di scarico installati, mentre quella lorda senza questi componenti. La potenza effettiva all'albero risulta superiore a causa di molteplici parametri, tra cui le condizioni ambiente e la variabilità tra un motore e l'altro. Considerando la vasta gamma di applicazioni in cui vengono utilizzati i nostri motori, il motore a benzina potrebbe non erogare la potenza indicata sull'applicazione in questione. Questa differenza può essere dovuta ad una varietà di fattori tra cui, ma non limitati a: componenti del motore (filtro dell'aria, impianto di scarico, compressore, impianto di raffreddamento, carburatore, pompa del carburante, ecc.), limitazioni di applicazione, condizioni ambientali (temperatura, umidità, altitudine) e differenze tra i singoli motori. A causa di limitazioni alla produzione Briggs & Stratton potrebbe sostituire questa famiglia di motori con un motore di potenza maggiore.


## Sicurezza dell'operatore


### SIMBOLI DI SICUREZZA E CONTROLLO



Il simbolo di avvertenza di sicurezza () si utilizza per identificare le norme di sicurezza sui pericoli in grado di provocare lesioni personali. Insieme al simbolo viene utilizzata una parola (PERICOLO, AVVERTENZA o ATTENZIONE) che indica la natura ed il livello del potenziale pericolo. Inoltre, per rappresentare il tipo di pericolo può essere presente un simbolo di pericolo.

 **PERICOLO** indica un pericolo che, in caso di mancato rispetto delle norme di sicurezza, **provocherà gravi lesioni personali o morte.**

 **AVVERTENZA** indica un pericolo che, in caso di mancato rispetto delle norme di sicurezza, **può provocare gravi lesioni personali o morte.**

 **ATTENZIONE** indica un pericolo che, in caso di mancato rispetto delle norme di sicurezza, **può provocare lesioni di minore gravità.**

**AVVISO** indica una situazione che **può provocare danni al prodotto.**

### **AVVERTENZA**

Determinati componenti di questo prodotto e relativi accessori contengono sostanze chimiche che, ai sensi delle leggi dello Stato della California, sono in grado di provocare cancro, malformazioni fetali e altri difetti riproduttivi. Lavare le mani dopo la movimentazione.

### **AVVERTENZA**

Ai sensi delle leggi dello Stato della California, i gas di scarico di questo motore contengono sostanze chimiche in grado di provocare cancro, malformazioni fetali o altri difetti riproduttivi.

### **AVVERTENZA**

I motori Briggs & Stratton non sono progettati per essere usati su: fun-kart; go-kart; veicoli per bambini, ricreativi o fuori strada; motociclette, prodotti a camera ad aria, velivoli o veicoli impiegati in eventi competitivi non approvati da Briggs & Stratton. Per informazioni sui prodotti per gare competitive, visitare [www.briggsracing.com](http://www.briggsracing.com). Per l'impiego su quad e motoslitte, contattare Briggs & Stratton Engine Application Center, 1-866-927-3349. L'uso scorretto del motore può provocare lesioni gravi o morte.

**AVVISO:** Il motore viene spedito da Briggs & Stratton senza olio. Prima di avviare il motore, assicurarsi di rifornire con olio secondo le istruzioni contenute in questo manuale. Se il motore viene avviato senza olio, si danneggerà in modo irreparabile e non sarà coperto da garanzia.



## AVVERTENZA



La benzina ed i relativi vapori sono altamente infiammabili ed esplosivi.

Un incendio oppure un'esplosione possono provocare gravi ustioni o morte.

### Durante il rifornimento del carburante

- Spegner il motore e lasciarlo raffreddare per almeno 2 minuti prima di togliere il tappo del serbatoio del carburante.
- Effettuare il rifornimento in esterni oppure in un'area ben ventilata.
- Non riempire eccessivamente il serbatoio del carburante. Per consentire l'espansione del carburante, non riempire oltre il bordo inferiore del bocchettone del serbatoio.
- Tenere il carburante lontano da scintille, fiamma all'aperto, fiamme pilota, calore e altre fonti di accensione.
- Controllare frequentemente che il sistema di alimentazione, il serbatoio, il tappo e i raccordi non presentino crepe né perdite. Se necessario, sostituire le parti danneggiate.
- In caso di perdite di carburante, lasciarlo evaporare prima di avviare il motore.

### All'avviamento del motore

- Accertarsi che candela, silenziatore, tappo del carburante e filtro dell'aria (se presente) siano saldamente posizionati nelle proprie sedi.
- Non far girare il motore senza candela.
- Se il motore è ingolfato, portare il comando dell'aria (se in dotazione) in posizione OPEN/RUN, portare l'acceleratore (se in dotazione) in posizione FAST e far girare il motorino di avviamento finché non parte.

### Durante l'uso dell'attrezzatura

- Non inclinare il motore o l'attrezzatura al punto da provocare la fuoriuscita del carburante.
- Non agire sul comando aria del carburatore per spegnere il motore.
- Non avviare o mettere in funzione il motore senza gruppo filtro dell'aria (se presente) o filtro dell'aria (se presente).

### In sede di cambio dell'olio

- Se si drena l'olio dal tubo di riempimento superiore, il serbatoio del carburante deve essere vuoto, altrimenti si può verificare una perdita di carburante, causando incendi o esplosioni.

### Quando si inclina l'unità per la manutenzione

- Quando si eseguono interventi di manutenzione che richiedono l'inclinazione dell'unità, il serbatoio del carburante deve essere vuoto, altrimenti si può verificare una perdita di carburante, causando incendi o esplosioni.

### Durante il trasporto dell'attrezzatura

- Trasportare l'attrezzatura con il serbatoio VUOTO oppure con il rubinetto del carburante CHIUSO.

### Immagazzinaggio del dispositivo con il combustibile nel serbatoio

- Conservare lontano da forni, stufe, caldaie o altri dispositivi con fiamme pilota o altre fonti di accensione in grado di infiammare i vapori del carburante.



## AVVERTENZA



All'avviamento del motore viene prodotta una scintilla.

La scintilla può incendiare gli eventuali gas infiammabili nelle vicinanze.

Pericolo di incendio o esplosione.

- Non avviare il motore in prossimità di perdite di metano o GPL.
- Non utilizzare fluidi di avviamento pressurizzati poiché i relativi vapori sono infiammabili.



## AVVERTENZA



**PERICOLO GAS VELENOSO, Lo scarico del motore contiene monossido di carbonio, un gas velenoso che uccide in pochi minuti. Il gas È invisibile, inodore e insapore. Anche se non si inalano i fumi di scarico è possibile che si sia esposti al monossido di carbonio. Se si avverte una sensazione di malessere, giramento di testa o debolezza durante l'uso di questo prodotto, spegnere e andare IMMEDIATAMENTE all'aria fresca. Consultare un medico. Può essersi verificato un avvelenamento da monossido di carbonio.**

- Utilizzare questo prodotto SOLO all'aperto, lontano da finestre, porte e ventole per ridurre il rischio che il monossido di carbonio si accumuli e possa incanalarsi in spazi non occupati.
- Installare gli allarmi a batteria per monossido di carbonio o inserire gli allarmi con backup a batteria seguendo le istruzioni del produttore. Gli allarmi per il fumo non possono rilevare il monossido di carbonio.
- NON utilizzare questo prodotto all'interno di case, garage, cantine, spazi, rifugi, baracche o altri spazi parzialmente inclusi anche se si utilizzano ventole o porte e finestre aperte per la ventilazione. Il monossido di carbonio può accumularsi rapidamente in questi spazi e può rimanervi per ore, anche se il prodotto è stato spento.
- Usare SEMPRE questo prodotto sottovento e puntare lo scarico del motore lontano da spazi occupati.



## AVVERTENZA



La rapida ritrazione della fune di avviamento (contraccolpo) può proiettare con forza mani e braccia in direzione del motore.

Pericolo di lussazioni, fratture, contusioni o distorsioni.

- Per avviare il motore, tirare lentamente l'impugnatura della fune finché non si sente una certa resistenza, quindi tirarla con forza per evitare il contraccolpo.
- Prima di avviare il motore, disinserire le trasmissioni/gli eventuali carichi dal motore, eliminare i trascinamenti.
- I componenti ad accoppiamento diretto come lame, giranti, pulegge, pignoni, ecc. debbono essere saldamente bloccati alla PTO.



## AVVERTENZA



Le parti rotanti possono toccare o intrappolare mani, piedi, capelli, indumenti o accessori.

Pericolo di amputazione o gravi lacerazioni.

- Utilizzare sempre l'attrezzatura con le protezioni installate correttamente.
- Tenere mani e piedi lontani dalle parti rotanti.
- Raccogliere i capelli lunghi e togliersi eventuali gioielli.
- Non indossare indumenti larghi, stringhe lunghe o altri oggetti che potrebbero rimanere impigliati.



## AVVERTENZA



I motori accesi generano calore. Le parti del motore, in particolare il silenziatore, possono diventare estremamente calde.

In caso di contatto sussiste il rischio di gravi ustioni.



I detriti infiammabili, ad esempio foglie, erba, paglia, ecc. possono incendiarsi.

- Lasciare sempre raffreddare il silenziatore, i cilindri e le alette prima di toccarli.
- Rimuovere eventuali detriti infiammabili accumulati nelle vicinanze di cilindri e silenziatore.
- Ai sensi delle leggi dello Stato della California (Sezione 4442 del California Public Resources Code), è vietato utilizzare un motore all'interno di foreste, boschi o terreni erbosi a meno che non sia dotato di parascintille. Altri stati o giurisdizioni federali possono avere leggi simili. Contattare il produttore originale dell'attrezzatura oppure il proprio rivenditore o concessionario per ordinare un parascintille progettato specificatamente per l'impianto di scarico di questo motore.



## AVVERTENZA



Una scintilla accidentale può provocare un incendio oppure una scossa elettrica.

L'avviamento accidentale può provocare schiacciamento, amputazione o lacerazione degli arti.



Rischio di incendio

### Prima di eventuali regolazioni o riparazioni

- Scollegare il cavo della candela e allontanarlo.
- Staccare il terminale negativo della batteria (solamente sui motori ad avviamento elettrico).
- Usare solo strumenti corretti.
- Non manomettere le molle del regolatore, i leverismi o altre parti per aumentare la velocità del motore.
- I ricambi devono presentare lo stesso design ed essere installati nelle stesse posizioni dei componenti originali. Altri componenti possono presentare minori prestazioni, danneggiare l'unità e provocare gravi lesioni personali.
- Non battere il volano con un martello o un oggetto metallico in quanto si potrebbe lesionare ed esplodere durante il funzionamento.

### In caso di verifica della scintilla

- Utilizzare sempre il tester omologato per verificare la scintilla.
- Controllare la scintilla con la candela installata.

# Funzioni e controlli

Confrontare le illustrazioni **1** con il motore in modo da prendere familiarità con la posizione dei vari comandi e funzioni.

- A. Identificazione del motore  
**Modello Tipo Codice**
- B. Candela
- C. Filtro dell'aria ciclonico
- D. Filtro dell'aria a basso profilo
- E. Asta di livello
- F. Rabbocco dell'olio
- G. Filtro dell'olio
- H. Tappo di spurgo dell'olio
- I. Sensore di pressione dell'olio
- J. Protezione dell'avviatore a riavvolgimento
- K. Motorino di avviamento
- L. Solenoide di avviamento
- M. Regolatore/raddrizzatore
- N. Carburatore
- O. Sistema di raffreddamento dell'olio (opzionale)
- P. Marmitta (opzionale)
- Q. Pompa del carburante
- R. Interruttore di avviamento \*
- S. Leva acceleratore \*
- T. Comando starter \*
- U. Filtro del carburante (opzionale)

\* alcuni motori e alcuni dispositivi sono dotati di comandi a distanza. Consultare il manuale della specifica attrezzatura per la posizione e il funzionamento dei comandi a distanza.

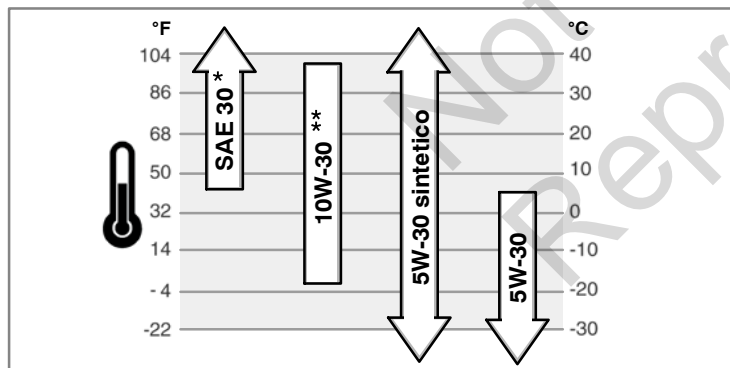
## Funzionamento

Capacità olio (vedere il paragrafo **Specifiche**)

### Raccomandazioni relative all'olio

Si consiglia, per le migliori prestazioni, l'uso di olio con certificato di garanzia Briggs & Stratton. Altri oli detergenti di alta qualità sono accettabili se rispettano le specifiche SF, SG, SH, SJ o superiori. Non utilizzare additivi speciali.

La corretta viscosità dell'olio motore è funzione della temperatura esterna. Usare il grafico per selezionare il grado di viscosità più adatto alle temperature di utilizzo.



\* Con temperature esterne inferiori a 40°F (4°C) l'uso di olio SAE 30 comporta difficoltà di avviamento.

\*\* Con temperature esterne superiori a 80°F (27°C) l'uso di olio 10W-30 può aumentare il consumo del lubrificante. Controllare il livello dell'olio con maggiore frequenza.

### Come controllare/Aggiungere olio - Figura 2

Prima di un rabbocco di olio o del controllo di livello

- Posizionare il motore su una superficie piana.
- Pulire l'area di riempimento dell'olio da eventuali detriti.
- 1. Rimuovere l'astina (A) e asciugare con un panno pulito (Figura 2).
- 2. Inserire e serrare l'asta di livello.
- 3. Rimuovere l'astina di livello e controllare il livello dell'olio, che deve raggiungere il segno FULL (B) sull'astina di livello.
- 4. Se basso, aggiungere lentamente l'olio nel motore (C). **Non rabboccare eccessivamente.** Dopo aver aggiunto l'olio, attendere un minuto prima di verificare nuovamente il livello.
- 5. Rimettere l'astina e serrare e controllare il livello dell'olio.

### Sistema di protezione olio basso (se presente)

Alcuni motori sono dotati di un sensore olio basso. Se il livello dell'olio è basso, il sensore attiva una spia di allarme o arresta il motore. Spegnerlo il motore e seguire la seguente procedura prima di riavviarlo.

- Accertarsi che il motore sia a livello.
- Controllare il livello dell'olio. Vedere la sezione **Come controllare/Aggiungere l'olio.**
- Se il livello dell'olio è basso, rabboccare con la quantità necessaria. Accendere il motore e accertarsi che la spia di allarme (se presente) non sia accesa.
- Se il livello dell'olio non è basso, **non avviare** il motore. Contattare un Centro di Assistenza Autorizzato Briggs & Stratton per risolvere il problema dell'olio.

### Raccomandazioni relative al carburante

È necessario che la benzina sia conforme a questi requisiti:

- Benzina pulita, fresca e senza piombo.
- Minimo 87 ottani/87 AKI (91 RON). Se si lavora ad elevate altitudini, vedere di seguito.
- È ritenuta accettabile la benzina con un contenuto di etanolo (miscela benzina-alcol) fino al 10%.

**ATTENZIONE:** Non utilizzare benzina non approvata come E15 o E85. Non miscelare olio nella benzina o modificare il motore in modo che funzioni con benzine alternative. Ciò danneggia i componenti del motore e comporta l'**annullamento della garanzia sul motore.**

Per proteggere il sistema di alimentazione dalla formazione di gomme, aggiungere l'additivo stabilizzante al carburante. Vedere **Rimessaggio.** Non tutti i carburanti sono gli stessi. Se si verificano problemi di avviamento o di prestazioni cambiare il fornitore o la marca di carburante. Questo motore è omologato per funzionare con benzina senza piombo. Il sistema di controllo delle emissioni è EM (Engine Modifications, Modifiche al motore).

### Altitudine elevata

Ad altitudini superiori ai 1524 metri (5000 piedi), è accettabile anche una benzina con un numero minimo di ottani pari a 85/85 AKI (89 RON). Per essere sempre conforme ai requisiti sulle emissioni, è necessario effettuare delle modifiche per altitudini elevate. Il funzionamento senza questa regolazione provocherà una diminuzione delle prestazioni, un aumento nei consumi di carburante e un aumento di emissioni. Contattare un rivenditore autorizzato Briggs & Stratton Dealer per informazioni sulle regolazioni per elevate altitudini.

Si raccomanda di non far funzionare il motore ad altitudini inferiori ai 762 metri (2.500 piedi) con il kit per elevate altitudini installato.

### Come fare rifornimento di carburante - Figura 3



#### AVVERTENZA

La benzina ed i relativi vapori sono altamente infiammabili ed esplosivi.

Un incendio oppure un'esplosione possono provocare gravi ustioni o morte.

#### Durante il rifornimento del carburante

- Spegnerlo il motore e lasciarlo raffreddare per almeno 2 minuti prima di togliere il tappo del serbatoio del carburante.
- Effettuare il rifornimento in esterni oppure in un'area ben ventilata.
- Non riempire eccessivamente. Per consentire l'espansione del carburante, non riempire oltre il bordo inferiore del bocchettone del serbatoio.
- Tenere benzina e i vapori lontani da scintille, fiamme vive, fiamme pilota, calore e altre fonti di accensione.
- Controllare frequentemente che il sistema di alimentazione, il serbatoio, il tappo e i raccordi non presentino crepe né perdite. Se necessario, sostituire le parti danneggiate.
- In caso di perdite di carburante, lasciarlo evaporare prima di avviare il motore.

1. Pulire l'area intorno al tappo del carburante da sporco e detriti. Togliere il tappo del carburante (A, Figura 3).
2. Riempire il serbatoio (B) con carburante. Per consentire l'espansione del carburante, non riempire oltre il bordo inferiore del bocchettone del serbatoio (C).
3. Rimontare il tappo del carburante.

### Avviamento del motore - Figura 4



#### AVVERTENZA

La benzina ed i relativi vapori sono altamente infiammabili ed esplosivi.

Un incendio oppure un'esplosione possono provocare gravi ustioni o morte.

#### All'avviamento del motore

- Accertarsi che candela, silenziatore, tappo del carburante e filtro dell'aria (se presente) siano saldamente posizionati nelle proprie sedi.
- Non far girare il motore senza candela.
- Se il motore è ingolfato, portare il comando dell'aria (se in dotazione) in posizione OPEN/RUN, portare l'acceleratore (se in dotazione) in posizione FAST e far girare il motorino di avviamento finché non parte.



## AVVERTENZA

**PERICOLO GAS VELENOSO, Lo scarico del motore contiene monossido di carbonio, un gas velenoso che uccide in pochi minuti. Il gas è invisibile, inodore e insapore. Anche se non si inalano i fumi di scarico è possibile che si sia esposti al monossido di carbonio. Se si avverte una sensazione di malessere, giramento di testa o debolezza durante l'uso di questo prodotto, spegnere e andare IMMEDIATAMENTE all'aria fresca. Consultare un medico. Può essersi verificato un avvelenamento da monossido di carbonio.**

- Utilizzare questo prodotto SOLO all'aperto, lontano da finestre, porte e ventole per ridurre il rischio che il monossido di carbonio si accumuli e possa incanalarsi in spazi non occupati.
- Installare gli allarmi a batteria per monossido di carbonio o inserire gli allarmi con backup a batteria seguendo le istruzioni del produttore. Gli allarmi per il fumo non possono rilevare il monossido di carbonio.
- NON utilizzare questo prodotto all'interno di case, garage, cantine, spazi, rifugi, baracche o altri spazi parzialmente inclusi anche se si utilizzano ventole o porte e finestre aperte per la ventilazione. Il monossido di carbonio può accumularsi rapidamente in questi spazi e può rimanervi per ore, anche se il prodotto è stato spento.
- Usare SEMPRE questo prodotto sottovento e puntare lo scarico del motore lontano da spazi occupati.

**AVVISO:** il motore viene spedito da Briggs & Stratton senza olio. Prima di avviare il motore, assicurarsi di rifornire con olio secondo le istruzioni contenute in questo manuale. Se il motore viene avviato senza olio, si danneggerà in modo irreparabile e non sarà coperto da garanzia.

**Nota:** alcuni motori e alcuni dispositivi sono dotati di comandi a distanza. Consultare il manuale della specifica attrezzatura per la posizione e il funzionamento dei comandi a distanza.

1. Controllare il livello dell'olio. Vedere la sezione **Come controllare/Aggiungere l'olio**.
2. Verificare che i comandi delle attrezzature, se presenti, siano disinnestati.
3. Ruotare la valvola d'intercettazione del carburante (A), se presente, in posizione ON (Figura 4).
4. Spostare il comando dell'acceleratore (B) in posizione di accelerazione . Far funzionare il motore nella posizione FAST .
5. Tirare il comando starter (C), se presente, portandolo nella posizione di accelerazione.

**Nota:** Per avviare il motore con l'impianto di alimentazione a secco (al primo avviamento oppure in caso di esaurimento del carburante) è necessario tenere per più tempo il comando dell'aria in posizione di avviamento per consentire alla pompa di alimentazione di adescare l'impianto di alimentazione.

6. Spostare l'interruttore di arresto (D), se presente, sulla posizione ON.
7. Ruotare l'interruttore di avvio elettrico (E) sulla posizione ON/di avvio (Figura 4).
8. Se il motore gira ma si spegne, portare il comando dell'aria (C) in posizione di marcia per avviare il motore.

**AVVISO:** per estendere la durata dello starter, usare cicli di avviamento brevi (al massimo, cinque secondi). Attendere un minuto prima di ripetere il tentativo di avviamento.

**Nota:** Se il motore non si avvia dopo diversi tentativi, visitare il sito [VanguardEngines.com](http://VanguardEngines.com) o contattare il numero 1-800-999-9333 (in USA).

9. Quando il motore si è riscaldato, spostare il comando dell'aria (C) nella posizione di marcia .

## Come arrestare il motore - Figura 4



## AVVERTENZA



**La benzina ed i relativi vapori sono altamente infiammabili ed esplosivi.**

**Un incendio oppure un'esplosione possono provocare gravi ustioni o morte.**

- Non agire sul comando aria del carburatore per spegnere il motore.

1. Spostare la leva dell'acceleratore al minimo, ruotare l'interruttore a chiave (E) in posizione OFF (Figura 4). Rimuovere la chiave e conservarla lontano dalla portata dei bambini.
2. Spostare l'interruttore di arresto (D), se presente, sulla posizione di arresto.
3. Quando il motore è spento, ruotare la valvola di intercettazione del carburante (A), se presente, in posizione di chiusura.

## Manutenzione

Si consiglia di contattare un rivenditore autorizzato Briggs & Stratton per tutte le operazioni di assistenza e manutenzione del motore e dei relativi componenti.

**AVVISO:** tutti i componenti utilizzati per costruire questo motore devono rimanere in posizione per un funzionamento corretto.



**AVVERTENZA:** Quando si eseguono interventi di manutenzione che richiedono l'inclinazione dell'unità, il serbatoio del carburante deve essere vuoto, altrimenti si può verificare una perdita di carburante, causando incendi o esplosioni.

## Controllo emissioni

**La manutenzione, la riparazione o la sostituzione degli impianti e dei dispositivi per il controllo delle emissioni può essere realizzato da qualsiasi meccanico o officina per motori non stradali.** Tuttavia, per ottenere un controllo delle emissioni gratuito, il lavoro deve essere eseguito da un'officina autorizzata. Consultare la Garanzia sulle emissioni.



## AVVERTENZA



**Una scintilla accidentale può provocare un incendio oppure una scossa elettrica.**



**L'avviamento accidentale può provocare schiacciamento, amputazione o lacerazione degli arti.**



**Rischio di incendio**

### Prima di eventuali regolazioni o riparazioni

- Scollegare il cavo della candela e allontanarlo.
- Staccare il terminale negativo della batteria (solamente sui motori ad avviamento elettrico).
- Usare solo strumenti corretti.
- Non manomettere le molle del regolatore, i leverismi o altre parti per aumentare la velocità del motore.
- I ricambi devono presentare lo stesso design ed essere installati nelle stesse posizioni dei componenti originali. Altri componenti possono presentare minori prestazioni, danneggiare l'unità e provocare gravi lesioni personali.
- Non battere il volano con un martello o un oggetto metallico in quanto si potrebbe lesionare ed esplodere durante il funzionamento.

### In caso di verifica della scintilla

- Utilizzare sempre il tester omologato per verificare la scintilla.
- Controllare la scintilla con la candela installata.

## Tabella di manutenzione

<b>Prime 5 ore</b>
<ul style="list-style-type: none"> <li>• Cambiare l'olio</li> </ul>
<b>Ogni 8 ore o giornalmente</b>
<ul style="list-style-type: none"> <li>• Controllare il livello dell'olio</li> <li>• Pulire l'area intorno al silenziatore e ai comandi</li> </ul>
<b>Ogni 100 ore oppure una volta l'anno</b>
<ul style="list-style-type: none"> <li>• Pulire o cambiare il filtro dell'aria * ▲</li> <li>• Sostituire l'olio motore e il filtro</li> <li>• Pulire il prefiltro (se presente) *</li> <li>• Sostituire le candele</li> <li>• Controllare il silenziatore e il parascintille</li> </ul>
<b>Ogni 250 ore oppure una volta l'anno</b>
<ul style="list-style-type: none"> <li>• Controllare il gioco delle valvole. Regolare all'occorrenza.</li> </ul>
<b>Ogni 400 ore oppure una volta l'anno</b>
<ul style="list-style-type: none"> <li>• Cambiare il filtro dell'aria ▲</li> <li>• Sostituire il filtro del carburante</li> <li>• Pulire il sistema di raffreddamento dell'aria *</li> <li>• Pulire le alette del sistema di raffreddamento *</li> </ul>
<b>Ogni 600 ore oppure una volta l'anno</b>
<ul style="list-style-type: none"> <li>• Cambiare il filtro di sicurezza (se presente)</li> </ul>

\* Pulire più frequentemente in condizioni di lavoro particolarmente gravose o nel caso in cui siano presenti detriti nell'aria.

▲ Ogni terzo cambio del filtro, sostituire il filtro interno di sicurezza (laddove presente).

## Regolazione del carburatore e della velocità del motore

Non eseguire mai regolazioni sul carburatore o sulla velocità del motore. Il carburatore è stato regolato in fabbrica per funzionare in modo efficiente in diverse condizioni. Non manomettere la molla del regolatore principale, i comandi o altre parti per cambiare la velocità del motore. Se fosse necessario eseguire una regolazione, rivolgersi a Centro di assistenza autorizzato Briggs & Stratton.

**AVVISO:** Il produttore dell'attrezzatura specifica la velocità massima per il motore quando viene installato sull'attrezzatura. **Non superare** tale velocità. Se non si è sicuri della velocità massima dell'attrezzatura o quale velocità del motore sia stata impostata in fabbrica, contattare il Centro di assistenza autorizzato Briggs & Stratton. Per un funzionamento sicuro e corretto dell'attrezzatura, la velocità del motore deve essere regolata solo da un tecnico dell'assistenza qualificato.

## Sostituzione della candela. - Figura 5

Controllare la distanza tra gli elettrodi (A, Figura 5) con uno spessore (B). Se necessario, ripristinare la distanza. Montare e serrare la candela al valore di coppia prescritto. Per i valori della coppia di serraggio o della distanza tra gli elettrodi, consultare il paragrafo **Specifiche**.

**Nota:** in alcune zone, le norme locali prescrivono l'uso di una candela schermata per eliminare i disturbi dovuti all'accensione. Se il motore è stato equipaggiato all'origine con una candela schermata, usare lo stesso tipo in caso di sostituzione.

## Ispezionare il silenziatore e il parascintille - Figura 6



### AVVERTENZA



**I motori accesi generano calore. Le parti del motore, in particolare il silenziatore, possono diventare estremamente calde.**

**In caso di contatto sussiste il rischio di gravi ustioni.**



**I detriti infiammabili, ad esempio foglie, erba, paglia, ecc. possono incendiarsi.**

- Lasciare sempre raffreddare il silenziatore, i cilindri e le alette prima di toccarli.
- Rimuovere eventuali detriti infiammabili accumulati nelle vicinanze di cilindri e silenziatore.
- Ai sensi delle leggi dello Stato della California (Sezione 4442 del California Public Resources Code), è vietato utilizzare un motore all'interno di foreste, boschi o terreni erbosi a meno che non sia dotato di parascintille. Altri stati o giurisdizioni federali possono avere leggi simili. Contattare il produttore originale dell'attrezzatura oppure il proprio rivenditore o concessionario per ordinare un parascintille progettato specificatamente per l'impianto di scarico di questo motore.

Rimuovere i detriti accumulati dall'area del silenziatore e della testata. Verificare che il silenziatore (A, Figura 6) non presenti crepe, segni di corrosione o altri danni. Rimuovere il parascintille (B), se previsto, e verificare che non presenti danni o residui carboniosi. In caso di danni, sostituire i componenti interessati prima dell'uso.



**AVVERTENZA:** I ricambi devono presentare lo stesso design ed essere installati nelle stesse posizioni dei componenti originali. Altri componenti possono presentare minori prestazioni, danneggiare l'unità e provocare gravi lesioni personali.

## Come cambiare l'olio - Figura 7

l'olio esausto è un prodotto di scarto dannoso e deve essere smaltito in modo appropriato. Non smaltire tra i rifiuti domestici. Verificare presso le autorità locali, i centri specializzati o il rivenditore, la presenza di un sicuro impianto di smaltimento/riciclaggio.

## Rimuovere l'olio

1. Con il motore spento ma ancora caldo, scollegare il cavo della candela (A) e allontanarlo (Figura 7).
2. Togliere il tappo di drenaggio dell'olio (B). Scaricare l'olio in un contenitore appropriato.
3. Dopo aver scaricato l'olio, rimontare il tappo di drenaggio dell'olio e serrare.

## Cambio del filtro dell'olio

Tutti i modelli sono dotati di un filtro dell'olio. Per gli intervalli di sostituzione, consultare la tabella di **Manutenzione**.

1. Drenare l'olio dal motore. Vedere la sezione **Rimozione dell'olio**
2. Rimuovere il filtro dell'olio (C, Figura 7) e smaltirlo nella maniera appropriata.
3. Prima di installare il nuovo filtro dell'olio, lubrificare leggermente la guarnizione del filtro con olio fresco e pulito.
4. Installare il filtro dell'olio manualmente, fino a quando la guarnizione non entra a contatto con l'adattatore del filtro, quindi serrarlo da 1/2 a 3/4 di giro.
5. Rifornire di olio. Vedere la sezione **Aggiungere olio**.
6. Avviare e far funzionare il motore. Non appena il motore si riscalda, controllare eventuali perdite dell'olio.

7. Arrestare il motore e controllare il livello dell'olio. Che deve raggiungere il segno FULL (F) sull'astina di livello.

## Rifornire di olio

- Posizionare il motore su una superficie piana.
  - Pulire l'area di riempimento dell'olio da eventuali detriti.
  - Vedere la sezione **Dati tecnici** per la capacità di olio motore.
1. Rimuovere l'astina (D, Figura 7) e asciugare con un panno pulito.
  2. Versare lentamente l'olio nel motore (E). **Non rabboccare eccessivamente.** Dopo aver aggiunto l'olio, attendere un minuto prima di verificare il livello.
  3. Installare e serrare il tappo con l'astina di livello.
  4. Rimuovere l'astina di livello e controllare il livello dell'olio, che deve raggiungere il segno FULL (F) sull'astina di livello.
  5. Installare e serrare il tappo con l'astina di livello.

## Come eseguire la manutenzione del filtro dell'aria - Figura 8 9



### AVVERTENZA



**La benzina ed i relativi vapori sono altamente infiammabili ed esplosivi.**



**Un incendio oppure un'esplosione possono provocare gravi ustioni o morte.**

- Non avviare o mettere in funzione il motore senza gruppo filtro dell'aria (se presente) o filtro dell'aria (se presente).

**AVVISO:** non utilizzare aria compressa o solventi per pulire il filtro. L'aria compressa può danneggiare il filtro e i solventi possono scioglierlo.

Il sistema del filtro dell'aria utilizza un filtro di tipo ciclonico o a basso profilo. Per i requisiti di assistenza, consultare la **Tabella manutenzione**.

### Sistema filtro dell'aria ciclonico

1. Aprire le serrature (A) e rimuovere il coperchio (B). Vedere Figura 8.
2. Rimuovere il filtro dell'aria (C).
3. Per far staccare lo sporco, picchiare leggermente il filtro dell'aria su una superficie dura. Se il filtro è eccessivamente sporco, sostituirlo.
4. Il sistema del filtro dell'aria ciclonico è inoltre dotato di un filtro di sicurezza (D) (se presente). Per i requisiti di assistenza, consultare la **Tabella di manutenzione**. Per rimuoverlo, estrarre con attenzione il filtro di sicurezza dal filtro dell'aria (E) e smaltirlo. Accertarsi che sporco o detriti non entrino nel motore.
5. Installare il nuovo filtro di sicurezza nel corpo del filtro dell'aria.
6. Installare il filtro dell'aria sul filtro di sicurezza.
7. Installare il coperchio e chiudere le serrature.

### Sistema filtro dell'aria a basso profilo

1. Rimuovere la manopola (F) e il coperchio (G). Vedere Figura 9.
2. Rimuovere il dado (H) e il fermo (J).
3. Rimuovere il filtro dell'aria (K).
4. Rimuovere il prefiltro (L), se presente, dal filtro dell'aria.
5. Per far staccare lo sporco, picchiare leggermente il filtro dell'aria su una superficie dura. Se il filtro è eccessivamente sporco, sostituirlo.
6. Lavare il prefiltro in un detergente liquido diluito in acqua. Farlo asciugare completamente. **Non** ungere il prefiltro.
7. Montare il prefiltro asciutto al filtro dell'aria.
8. Installare il filtro dell'aria e fissarlo con fermo e dado.
9. Installare il coperchio e fissarlo con la manopola.

## Come pulire il sistema di raffreddamento dell'aria - Figura 11 12



### AVVERTENZA



**I motori accesi generano calore. Le parti del motore, in particolare il silenziatore, possono diventare estremamente calde.**



**In caso di contatto sussiste il rischio di gravi ustioni.**

**I detriti infiammabili, ad esempio foglie, erba, paglia, ecc. possono incendiarsi.**

- Lasciare sempre raffreddare il silenziatore, i cilindri e le alette prima di toccarli.
- Rimuovere eventuali detriti infiammabili accumulati nelle vicinanze di cilindri e silenziatore.

**AVVISO:** non utilizzare acqua per pulire il motore. L'acqua potrebbe contaminare il sistema di carburante. Utilizzare un pennello o un panno asciutto per pulire il motore. Si tratta di un motore raffreddato ad aria. La presenza di sporco o detriti può restringere il flusso dell'aria, causare il surriscaldamento del motore e ridurre le prestazioni e la durata del motore.

Utilizzare un pennello o un panno asciutto per rimuovere lo sporco dalla protezione per le dita (A, Figura 11). Tenere puliti i collegamenti, le molle e i comandi (B). Mantenere l'area circostante e posteriore del silenziatore (C) pulita da detriti infiammabili. Accertarsi che le alette del sistema di raffreddamento (D) siano prive di sporco e detriti.

Pulire l'area sotto il pannello (E, Figura 12). Allentare le tue viti (F) fino a quando non si sente un clic. Rimuovere il pannello e pulire l'area da sporco e detriti. Accertarsi che anche la parte inferiore del pannello sia pulita. Installare il pannello e serrare le viti, fino a quando non si sente un clic.

## Sostituzione del filtro del carburante - Figura 10



### AVVERTENZA



La benzina ed i relativi vapori sono altamente infiammabili ed esplosivi.



Un incendio oppure un'esplosione possono provocare gravi ustioni o morte.

- Tenere il carburante lontano da scintille, fiamma all'aperto, fiamme pilota, calore e altre fonti di accensione.
- Controllare frequentemente che il sistema di alimentazione, il serbatoio, il tappo e i raccordi non presentino crepe né perdite. Se necessario, sostituire le parti danneggiate.
- Prima di pulire o sostituire il filtro del carburante, scaricare il serbatoio o chiudere la valvola di intercettazione del carburante.
- I ricambi per il silenziatore devono essere uguali e installati nella stessa posizione dei componenti originali.
- In caso di perdite di carburante, lasciarlo evaporare prima di avviare il motore.

1. Prima di sostituire il filtro del carburante (A, Figura 10), se presente, scaricare il serbatoio o chiudere la valvola di intercettazione del carburante. Altrimenti, si può verificare una perdita di carburante causando incendi o esplosioni.
2. Utilizzare le pinze per strizzare le alette (B) sulle fascette (C), quindi far scorrere le fascette lontano dal filtro del carburante. Girare e sfilare i tubi del carburante (D) dal filtro del carburante.
3. Controllare che i tubi del carburante non presentino crepe o perdite. Sostituirli se necessario.
4. Sostituire il filtro del carburante con un filtro di ricambio originale.
5. Fissare i tubi del carburante con le fascette come illustrato.

## Stoccaggio



### AVVERTENZA



La benzina ed i relativi vapori sono altamente infiammabili ed esplosivi.



Un incendio oppure un'esplosione possono provocare gravi ustioni o morte.

#### Immagazzinaggio del dispositivo con il combustibile nel serbatoio

- Conservare lontano da forni, stufe, caldaie o altri dispositivi con fiamme pilota o altre fonti di accensione in grado di infiammare i vapori del carburante.

## Impianto di alimentazione

Il carburante può diventare vecchio quando viene conservato per più di 30 giorni. Il carburante vecchio può provocare depositi di acido e di gomma nel sistema di alimentazione o in parti critiche del carburatore. Per conservare il carburante fresco, utilizzare lo stabilizzatore per carburante **Briggs & Stratton Advanced Formula Fuel Treatment & Stabilizer**, disponibile nei punti vendita dei ricambi originali Briggs & Stratton.

Per motori equipaggiati con tappo del carburante FRESH START® , usare **Briggs & Stratton FRESH START®** disponibile come cartuccia concentrata a gocciolamento.

Non è necessario scaricare il carburante dal motore se lo stabilizzante viene aggiunto secondo le istruzioni fornite. Far funzionare il motore per 2 minuti per far circolare a fondo lo stabilizzante in tutto il circuito di alimentazione prima della conservazione.

Se la benzina non è stata trattata con uno stabilizzante, deve essere scaricata in un contenitore approvato. Far funzionare il motore fino a quando non si arresta per mancanza di benzina. Si consiglia l'utilizzo di un additivo per benzina nel contenitore destinato alla conservazione, per garantirne la freschezza.

## Olio motore

Con il motore ancora caldo, sostituire l'olio motore.

## Ricerca dei guasti

Serve assistenza? Visitate [VanguardEngines.com](http://VanguardEngines.com) o contattate il numero **1-800-999-9333** (in USA).

## Specifiche

### Specifiche del motore

Modello	540000
Cilindrata	54,68 ci (896 cc)
Alesaggio	3,366 in (85,5 mm)
Corsa	3,071 in (78,0 mm)
Capacità olio	78 - 80 oz (2,3 - 2,4 L)

### Specifiche del motore

Modello	610000
Cilindrata	60,60 ci (993 cc)
Alesaggio	3,366 in (85,5 mm)
Corsa	3,406 in (86,5 mm)
Capacità olio	78 - 80 oz (2,3 - 2,4 L)

### Specifiche di messa a punto\*

Modello	540000
Distanza elettrodo candele	0,030 in (0,76 mm)
Coppia di serraggio candela	180 lb-in (20 Nm)
Intraferro indotto	0,005 - 0,008 in (0,13 - 0,20 mm)
Gioco punteria valvola di aspirazione	0,004 - 0,006 in (0,10 - 0,15 mm)
Gioco punteria valvola di scarico	0,004 - 0,006 in (0,10 - 0,15 mm)

### Specifiche di messa a punto\*

Modello	610000
Distanza elettrodo candele	0,030 in (0,76 mm)
Coppia di serraggio candela	180 lb-in (20 Nm)
Intraferro indotto	0,005 - 0,008 in (0,13 - 0,20 mm)
Gioco punteria valvola di aspirazione	0,004 - 0,006 in (0,10 - 0,15 mm)
Gioco punteria valvola di scarico	0,004 - 0,006 in (0,10 - 0,15 mm)

\* La potenza erogata dal motore diminuirà del 3,5% per ogni 300 metri (1.000 piedi) di altitudine e dell'1% ogni 10° F (5,6° C) oltre 77° F (25° C). Il motore funzionerà in modo soddisfacente a un angolo fino a 15°. Fare riferimento al Manuale dell'operatore dell'attrezzatura per i limiti di funzionamento in sicurezza sui tratti in pendenza.

## Ricambi comuni

Parte per la manutenzione	Codice
Filtro dell'aria, ciclone	841497
Filtro di sicurezza, ciclone	821136
Filtro dell'aria, basso profilo	692519
Prefiltro, basso profilo	692520
Olio - SAE 30	100028
Filtro dell'olio	842921

Parte per la manutenzione	Codice
Filtro del carburante	691035
Additivo per carburante	5041, 5058
Candela con resistore	491055
Candela al platino a lunga durata	5066
Chiave per candele	19374
Tester di scintilla	19368

✓ Si consiglia di contattare un rivenditore autorizzato Briggs & Stratton per tutte le operazioni di assistenza e manutenzione del motore e dei relativi componenti.

### GARANZIA LIMITATA

La Briggs & Stratton garantisce che, nel corso del periodo di garanzia indicato di seguito, sostituirà o riparerà, senza alcun costo, le parti che risultano difettose nei materiali, nella manodopera o entrambi. Le spese di trasporto relative al prodotto che deve essere riparato o sostituito, in base alla presente garanzia, sono a carico dell'acquirente. La presente garanzia è valida solo per il periodo e le condizioni indicate di seguito. Per l'assistenza in garanzia, rivolgersi al Centro di assistenza autorizzato più vicino, che è possibile ricercare sulla mappa tramite il sito Web BRIGGSandSTRATTON.COM. L'acquirente è tenuto a contattare il Centro di assistenza autorizzato e a rendere il prodotto disponibile all'ispezione e al testing da parte del personale del centro.

**Non viene riconosciuta nessun'altra garanzia esplicita. Le garanzie implicite, incluse quelle relative a commerciabilità e idoneità a scopi particolari, sono limitate a un anno dall'acquisto o al periodo previsto per legge. Sono escluse tutte le altre garanzie implicite. La responsabilità per i danni incidentali e consequenziali è esclusa nei termini previsti dalla legge.** Alcuni stati o paesi non consentono limitazioni sulla durata della garanzia implicita né l'esclusione o la limitazione dei danni incidentali o consequenziali, quindi tali limitazioni o esclusioni non sono applicabili in questi casi. La presente garanzia conferisce all'acquirente specifici diritti legali ma lo stesso può avere altri diritti che variano di stato in stato e di paese in paese \*\*.

### TERMINI STANDARD DI GARANZIA \* ▲

Marca/Tipo di prodotto	Uso privato	Uso commerciale
Vanguard™ ■	3 anni	3 anni
Commercial Turf Series™	2 anni	2 anni
Extended Life Series™; I/C®; Intek™ I/C®; Intek™ Pro;™ Professional Series™ caratterizzata dal cilindro in ghisa Dura-Bore™ 850 Series™ caratterizzata dal cilindro in ghisa Dura-Bore™ Snow Series MAX™ caratterizzata dal cilindro in ghisa Dura-Bore™ Tutti gli altri motori Briggs & Stratton caratterizzati dal cilindro in ghisa Dura-Bore™	2 anni	1 anno
Tutti gli altri motori Briggs & Stratton	2 anni	90 giorni

\* I presenti costituiscono i termini standard di garanzia, ma occasionalmente può essere prevista un'ulteriore copertura della garanzia, non determinato al momento della pubblicazione. Per un elenco completo dei termini di garanzia attuali, applicati al proprio motore, visitare il sito Web BRIGGSandSTRATTON.COM, oppure contattare il centro di assistenza autorizzato Briggs & Stratton.

\*\* In Australia - I nostri prodotti sono coperti da garanzie che non possono essere escluse nell'ambito dell'Australian Consumer Law. Si ha diritto alla sostituzione o rimborso per un guasto grave è alla compensazione per qualunque alta ragionevole perdita o danno. Si ha anche diritto ad avere i beni sostituiti se il bene non è di qualità accettabile e il guasto non costituisce un guasto grave. Per l'assistenza in garanzia, trovare il distributore tramite la funzionalità di ricerca sul sito BRIGGSandSTRATTON.COM, telefonare al numero 1300 274 447 oppure tramite posta elettronica o scrivendo a salesenquiries@briggsandstratton.com.au, Briggs & Stratton Australia Pty Ltd, 1 Moorebank Avenue, Moorebank, NSW, Australia, 2170.

▲ Applicazioni per generatori portatili casalinghi: Esclusivamente 2 anni di garanzia per il consumatore. Nessuna garanzia commerciale. Tale garanzia non è applicabile ai motori o ai dispositivi utilizzati per fornire potenza al posto di un accessorio. **La garanzia non è valida sui motori utilizzati per corse o su tratte commerciali o da noleggio.**

■ Vanguard installata sui generatori in standby: 2 anni per uso privato, nessuna garanzia per uso commerciale. Vanguard installato su veicoli utility: 2 anni per uso privato, 2 anni per uso commerciale. Vanguard a 3 cilindri con raffreddamento a liquido: consultare la politica di garanzia relativa ai motori 3/LC Briggs & Stratton.

Il periodo di garanzia inizia alla data di acquisto del primo consumatore o utente professionale si conclude come indicato nella tabella. Per "uso privato" si intende l'utilizzo effettuato da un acquirente al dettaglio presso la propria residenza. Per "uso professionale" si intendono tutti gli altri tipi di utilizzo, l'utilizzo professionale, l'uso per conto terzi e il noleggio. Dopo che un motore è stato utilizzato ad uso professionale, sarà sempre classificato come motore per uso professionale ai fini di questa polizza di garanzia.

**Per ottenere la garanzia non è necessaria alcuna registrazione dei prodotti Briggs & Stratton. Conservare la ricevuta dell'acquisto. Se non si fornisce prova della data dell'acquisto iniziale quando si richiede un intervento in garanzia, la data di produzione del prodotto verrà utilizzata per determinare il periodo di garanzia.**

### Informazioni sulla garanzia

Briggs & Stratton è lieta di riparare il prodotto in garanzia e si scusa per il disagio causato. Tutti i rivenditori autorizzati possono eseguire le riparazioni in garanzia. La maggior parte delle riparazioni in garanzia viene gestita di routine, ma a volte le richieste di assistenza in garanzia possono non essere corrette. Per evitare equivoci tra il cliente e il rivenditore, di seguito vengono elencate le cause di guasti al prodotto non coperti da garanzia.

**Usura normale:** i motori, come tutti i dispositivi meccanici, devono essere sottoposti a interventi di manutenzione periodica e sostituzione delle parti per funzionare bene. La garanzia non copre le riparazioni quando l'utilizzo normale ha portato una parte o il motore alla fine della vita utile. La garanzia non si applica a motori danneggiati a causa di cattivo utilizzo, assenza di manutenzione di routine, spedizioni, usi, stoccaggi o installazioni non corretti. Allo stesso modo, la garanzia non è valida se il numero di serie del prodotto è stato rimosso oppure se il motore è stato alterato o modificato.

**Manutenzione non accurata:** La vita utile di qualsiasi motore dipende dalla cura prestatagli e dalle condizioni in cui si trova a operare. Alcune applicazioni, quali motozappe, pompe, falciatrici rotative, vengono molto spesso usate in condizioni polverose o sporche causando un'usura prematura. Tale usura, nel caso in cui venga causata dalla sporcizia, dalla polvere, da residui di graniglia provenienti dalla pulizia della candela o da altro materiale abrasivo penetrato all'interno del motore a causa di una manutenzione non accurata, non è coperta dalla garanzia.

**La presente garanzia copre esclusivamente i difetti del motore dovuti a difetti di materiale e/o lavorazione e non la sostituzione o il rimborso dell'attrezzatura sulla quale il motore può essere installato. La garanzia non è estesa alle riparazioni dovute a:**

- 1 Problemi causati dall'uso di pezzi non originali Briggs & Stratton.
- 2 Comandi dell'attrezzatura o installazioni che impediscono l'avviamento, provocano un insoddisfatto rendimento del motore o ne riducono la durata (rivolgersi al produttore dell'attrezzatura).
- 3 Perdite dal carburatore, tubi del carburante occlusi, valvole bloccate o altri danni causati dall'uso di carburante impuro o vecchio.

- 4 Parti intaccate o rotte in seguito al funzionamento del motore con lubrificante insufficiente, impuro o di gradazione inadeguata (rabboccare se necessario e cambiare l'olio agli intervalli consigliati). OIL GARD potrebbe non spegnere il motore in caso di livello dell'olio insufficiente con conseguenti danni al motore.
- 5 Riparazioni o regolazioni di parti combinate o di gruppi, quali frizioni, trasmissioni, comandi a distanza, ecc., non prodotti dalla Briggs & Stratton.
- 6 Danni o usura di parti del motore causati da sporcizia penetrata all'interno del motore a causa di manutenzione e rimontaggio non corretti del filtro dell'aria nonché utilizzo di elemento o cartuccia del filtro dell'aria non originali. Agli intervalli consigliati, pulire e/o sostituire il filtro come indicato nel Manuale dell'Operatore.
- 7 Parti danneggiate da velocità eccessiva o surriscaldamento del motore in seguito ad intasamento delle alette di raffreddamento o dell'area del volano con erba, detriti o sporcizia nonché da uso del motore in aree chiuse con ventilazione insufficiente. Rimuovere i detriti dal motore agli intervalli consigliati come indicato nel Manuale dell'Operatore.
- 8 Parti del motore o dell'attrezzatura rotte a causa di vibrazioni eccessive causate da un cattivo fissaggio del motore alla macchina, lame di taglio non bloccate, lame o giranti sbilanciate o allentate, accoppiamento inadeguato della macchina all'albero motore, velocità eccessiva o abuso del motore stesso.
- 9 Albero a gomiti piegato o rotto, probabile conseguenza dell'urto contro un oggetto solido da parte della lama di taglio di una falciatrice rotativa oppure a causa di un'eccessiva tensione della cinghia trapezoidale.
- 10 Messa a punto periodica o regolazione del motore.
- 11 Guasti al motore o alle relative componenti, cioè camera di combustione, valvole, sedi delle valvole, guide delle valvole oppure bruciature degli avvolgimenti del motorino d'avviamento, che si verificano facendo funzionare il motore con combustibili alternativi, quali GPL, metano, benzine formulate con un contenuto di etanolo superiore al 10%, ecc.

**L'assistenza in garanzia è disponibile solo attraverso i Centri assistenza autorizzati Briggs & Stratton. È possibile individuare il centro di assistenza autorizzato cercandolo sulla mappa presente sul sito Web BRIGGSandSTRATTON.COM o contattando il numero +1-800-233-3723 (in USA).**



## Algemene informatie

Deze handleiding bevat veiligheidsinformatie om U bewust te maken van de gevaren en risico's die verband houden met motoren en hoe deze te voorkomen. De handleiding bevat ook instructies voor het juiste gebruik van en de juiste zorg voor de motor. Omdat Briggs & Stratton Corporation niet noodzakelijkerwijs weet welke machine deze motor aandrijft, is het belangrijk dat U deze instructies en die van de machine leest en begrijpt. **Bewaar deze originele instructies, zodat u ze later als naslagwerk kunt gebruiken.**

Noteer ten behoeve van vervangingsonderdelen of technische ondersteuning hieronder het motormodel, het type en de codenummers, evenals de aanschafdatum. Zie voor de locatie van deze nummers de pagina **Kenmerken en bedieningsfuncties**.

**Aanschafdatum:** \_\_\_\_\_  
MM/DD/JJJJ


**Motor model:** \_\_\_\_\_  
Model: \_\_\_\_\_ Type: \_\_\_\_\_ Code: \_\_\_\_\_


**Vermogenklassering:** De bruto vermogenklassering voor individuele benzine motormodellen is gelabeld in overeenstemming met SAE (Society of Automotive Engineers) code J1940 (Vermogen Kleine Motoren & Procedure Koppelklassering) en het geclassificeerde vermogen is verkregen en gecorrigeerd in overeenstemming met SAE J1995. De koppelwaarden zijn verkregen bij 2600 t/min voor die motoren waarbij het toerental op het etiket staat en bij 3060 t/min voor alle andere; de pk-waarden zijn verkregen bij 3600 t/min. De bruto vermogenscurves kunnen worden bekeken op [www.BRIGGSandSTRATTON.COM](http://www.BRIGGSandSTRATTON.COM). De netto vermogenwaarden zijn verkregen met uitlaat- en luchtfilter geïnstalleerd terwijl de bruto vermogenwaarden zonder deze toebehoren verkregen zijn. Het werkelijke bruto motorvermogen zal hoger zijn dan het netto motorvermogen en wordt beïnvloed door onder andere omgevingsbedrijfsomstandigheden en verschillen van motor tot motor. Vanwege de grote verscheidenheid aan machines waarop motoren geplaatst zijn, kan de benzinemotor mogelijk niet het opgegeven bruto vermogen leveren indien gebruikt in een bepaalde machine. Dit verschil wordt veroorzaakt door allerlei factoren inclusief maar niet beperkt tot de verscheidenheid motoronderdelen (luchtfilter, uitlaat, laden, koelen, carburateur, brandstofpomp, enz.), beperkingen van de toepassing, bedrijfsomstandigheden (temperatuur, luchtvochtigheid, hoogte) en verschillen van motor tot motor. Vanwege beperkingen met betrekking tot fabricage en capaciteit, kan Briggs & Stratton een motor met een hogere vermogenklassering leveren om de motor van deze motorseries te vervangen.

## Gebruiker veiligheid


### VEILIGHEID EN BEDIENINGSSYMBOLEN



Het veiligheid waarschuwingssymbool  wordt gebruikt om veiligheidsinformatie te identificeren over gevaren die kunnen resulteren in persoonlijk letsel. Een signaalwoord (GEVAAR, WAARSCHUWING, of VOORZICHTIG) wordt met het waarschuwingssymbool gebruikt om de waarschijnlijkheid en de potentiële ernst van het letsel aan te geven. Daarbij kan een gevarensymbool gebruikt worden om het soort gevaar aan te geven.

 **GEVAAR** duidt op een gevaar dat, indien niet voorkomen, **zal resulteren in de dood of ernstig letsel**.

 **WAARSCHUWING** duidt op een gevaar dat, indien niet voorkomen, **kan leiden tot de dood of ernstig letsel**.

 **VOORZICHTIG** duidt op een gevaar dat, indien niet voorkomen, **kan resulteren in licht of minder ernstig letsel**.

**OPGEPAST** duidt op een situatie die **kan resulteren in schade aan het product**.

### **WAARSCHUWING**

Bepaalde componenten in dit product en zijn bijbehorende accessoires bevatten chemicaliën waarvan bekend is dat ze kanker kunnen veroorzaken, alsmede geboortefwijkingen en schade aan de voortplantingsorganen. Was uw handen al u ze hebt aangeraakt.

### **WAARSCHUWING**

De uitlaatgassen van dit product bevatten chemicaliën die in de Staat Californië bekend staan kanker, geboortefwijkingen of andere reproductieve schade te kunnen veroorzaken.

### **WAARSCHUWING**

Briggs & Stratton motoren zijn niet gemaakt voor en mogen ook niet worden gebruikt voor de aandrijving van: fun-karts; go-karts; all-terrain vehicles (quads) voor kinderen, recreatief of sportgebruik; motorfietsen; hovercrafts; vliegtuigproducten; of voor voertuigen die in wedstrijden worden ingezet zonder toestemming van Briggs & Stratton. Zie [www.briggsracing.com](http://www.briggsracing.com) voor informatie over producten voor racewedstrijden. Neem voor gebruik op bedrijfsquads en quads als onderdeel van een ander voertuig contact op met Briggs & Stratton Engine Application Center, +1-866-927-3349. Verkeerd gebruik van een motor kan leiden tot ernstig letsel of dood.

**OPGEPAST:** Deze motor is door Briggs & Stratton zonder olie verzonden. Voordat u de motor start, zorg ervoor dat olie wordt bijgevoerd volgens de instructies in deze handleiding. Als u de motor zonder olie start, zal deze onherstelbaar beschadigen en dit zal niet door garantie gedekt zijn.



## WAARSCHUWING



**Brandstof en zijn dampen zijn uiterst brandbaar en explosief. Brand of explosie kunnen ernstige brandwonden of de dood veroorzaken.**

### Bij het toevoegen van brandstof

- Zet de motor uit en laat deze ten minste 2 minuten afkoelen voordat de tankdop verwijderd wordt.
- Vul de brandstoftank buitenshuis of in een goed geventileerde omgeving.
- De brandstoftank niet te vol gieten. Om de benzine de ruimte te geven om te kunnen uitzetten, de tank niet tot boven de bodem van de tanknek vullen.
- Houd alle brandstof weg van vonken, open vlammen, waakvlammen, hitte en andere ontstekingsbronnen.
- Controleer brandstofslangen, tank, dop en fittingen regelmatig op barsten of lekken. Zonodig vervangen.
- Indien brandstof gemorst wordt, wachten tot deze verdampt is voordat de motor gestart wordt.

### Bij het starten van de motor

- Zorg ervoor dat bougie, uitlaat, tankdop en luchtfilter (indien de motor hiermee is uitgerust) op hun plaats zitten en stevig vast zitten.
- Torn de motor niet indien de bougie verwijderd is.
- Wanneer de motor "verzopen" is, plaats de choke (indien hiermee uitgerust) in de stand OPEN/"RUN" (=aan), beweeg de toerentalbediening (indien hiermee uitgerust) naar de "fast" (=volgas) positie en torn tot de motor start.

### Bij het gebruik van de machine

- De motor of de machine niet kantelen of onder een hoek zetten waardoor brandstof wordt gemorst.
- De carburateur niet choken om de motor te stoppen.
- Start of gebruik de motor nooit met verwijderde luchtreiniger (indien de motor hiermee is uitgerust) of verwijderd luchtfilter (indien de motor hiermee is uitgerust).

### Bij olie verversen

- Als u de olie aftapt uit de olievulbuis boven, dan moet de brandstoftank leeg zijn, anders kan er brandstof uitlekken wat kan leiden tot brand en explosie.

### Wanneer de unit gekanteld wordt voor onderhoud

- Wanneer onderhoud wordt uitgevoerd waarvoor de unit gekanteld moet worden, dient de brandstoftank leeg te zijn, anders kan er brandstof uitlekken wat kan leiden tot brand en explosie.

### Bij het transporteren van de machine

- Transporteren met LEGE brandstoftank of met de benzinekraan in de stand "OFF" (=uit).

### Bij Het Opslaan Van Brandstof Of De Machine Met Brandstof In De Tank

- Opslaan uit de buurt van fornuizen, kachels, geisers of boilers of andere apparaten die een waakvlam bevatten of andere ontstekingsbronnen, omdat deze brandstofdampen kunnen doen ontbranden.



## WAARSCHUWING



**Het starten van de motor creëert vonken. Vonken kunnen brandbare gassen ontsteken die zich in de buurt bevinden. Explosie en brand kunnen het resultaat zijn.**

- Indien zich aardgas of LPG lekkage in de buurt bevindt, de motor niet starten.
- Gebruik geen onder druk staande startvloeistoffen omdat de dampen brandbaar zijn.



## WAARSCHUWING



**Draaiende motoren produceren hitte. Motoronderdelen, vooral de uitlaat, worden uiterst heet.**

**Ernstige brandwonden kunnen optreden bij contact.**

**Brandbaar vuil, zoals bladeren, gras, hout, enz., kan in brand geraken.**

- Laat uitlaat, motorcilinder en vinnen afkoelen voordat deze aangeraakt worden.
- Verwijder opgehoopt vuil van het uitlaat- en cilindergebied.
- Conform artikel 4442 van het wetboek in Californië is het verboden om deze motor te gebruiken of te bedienen in gebieden met bos, met struikgewas of in grasland zonder een vonkenvanger - zoals gedefinieerd in artikel 4442 - in goede, werkende staat op het uitlaatsysteem. De wetgeving in andere staten of landen kan soortgelijke verordeningen hebben. Neem contact op met de fabrikant, de wederverkoper of de dealer voor de aanschaf van een vonkenvanger voor het uitlaatsysteem dat op deze motor is geïnstalleerd.



## WAARSCHUWING



**GEVAAR OP GIFTIG GAS. De motoruitlaat bevat koolmonoxide dat u op enkele minuten kan doden. U kunt het NIET zien, ruiken of proeven. Zelfs al u geen uitlaatdampen ruikt, kunt u nog altijd worden blootgesteld aan koolmonoxidegas. Als u zich ziek, duizelig of zwak begint te voelen bij gebruik van dit product, sluit het dan af en verkrijg ONMIDDELLIJK verse lucht. Ga naar een dokter. U hebt mogelijk koolstofmonoxidevergiftiging.**

- Gebruik dit product ALLEEN buiten ver weg van vensters, deuren en ventilaties om het risico te verminderen op koolstofmonoxidegas door accumulatie en potentieel aangetrokken te worden naar ingenomen ruimtes.
- Installeer batterij aangedreven koolstofmonoxide-alarmen of plug-in koolstofmonoxide-alarmen met batterij back-up volgens de instructies van de fabrikant. Rookalarmen kunnen geen koolstofmonoxidegas detecteren.
- Gebruik dit product NIET in woningen, garages, kelders, kruipruimtes, schuurtjes of andere gedeeltelijk ingesloten ruimtes zelfs bij gebruik van ventilators of geopende deuren of vensters voor ventilatie. Koolstofmonoxide kan snel opbouwen in deze ruimtes en kan uren blijven hangen, zelfs nadat dit product uitgeschakeld is.
- Plaats dit product ALTIJD met de wind mee en richt de motoruitlaat altijd van de gebruikte ruimtes weg.



## WAARSCHUWING



**Snel terugtrekken van het startkoord (terugschlag) zal uw hand en arm sneller naar de motor toetrekken dan U kunt loslaten.**

**Gebroken botten, kneuzingen of verstuikingen kunnen het resultaat zijn.**

- Trek bij het starten van de motor het startkoord langzaam uit tot er weerstand gevoeld wordt en trek dan snel om terugschlag te voorkomen.
- Verwijder alle externe machine/motorbelastingen voordat de motor gestart wordt.
- Direct verbonden machinecomponenten zoals, maar niet beperkt tot, messen, aandrijvingen, poelies, tandwielen enz., moeten stevig bevestigd zijn.



## WAARSCHUWING



**Handen, voeten, haar, kleren, of accessoires kunnen in aanraking komen met- en verstrikt raken in draaiende onderdelen.**

**Traumatische amputatie of ernstige verscheuring kan het resultaat zijn.**

- De machine gebruiken met afschermingen op hun plaats.
- Houd handen en voeten weg van draaiende delen.
- Bind lang haar op en verwijder sierraden.
- Draag geen loszittende kleding, hangende koorden of zaken die verstrikt kunnen raken.



## WAARSCHUWING



**Per ongeluk vonken kan resulteren in brand of een elektrische schok.**

**Per ongeluk starten kan resulteren in verwarring, traumatische amputatie, of verscheuring.**

**Brandgevaar**

### Voordat afstellingen of reparaties worden uitgevoerd:

- Ontkoppel de bougiekabel en houd deze weg van de bougie.
- Ontkoppel de accu bij de negatieve aansluiting (alleen motoren met elektrostart).
- Gebruik uitsluitend de juiste gereedschappen.
- Verander niets aan reguleerveren, verbindingstangen of andere onderdelen om het motortoerental te verhogen.
- Vervangingsonderdelen moeten identiek zijn aan de originele onderdelen en op dezelfde plaats worden gemonteerd. Andere onderdelen bieden mogelijk minder goede prestaties, ze kunnen het apparaat beschadigen en mogelijk letsel veroorzaken.
- Sla niet met een hamer of hard voorwerp tegen het vliegwiel omdat het vliegwiel anders later uit elkaar kan vliegen tijdens bedrijf.

### Bij het controleren op vonken:

- Gebruik een goedgekeurde vonktester.
- Controleer niet op vonken met de bougie verwijderd.

# Kenmerken en bedieningen

Vergelijk de afbeelding **1** met uw motor om Uzelf vertrouwd te maken met de plaats van de diverse kenmerken en bedieningen.

- A. Motoridentificatie  
**Model Type Code**
- B. Bougie
- C. Luchtreinigingsfilter, cyclonisch
- D. Luchtreinigingsfilter, laag profiel
- E. Peilstok
- F. Olievulopening
- G. Oliefilter
- H. Olie aftapplug
- I. Olie druksensor
- J. Vingerbescherm
- K. Elektrische starter
- L. Startrelais
- M. Regelaar/gelijkrichter
- N. Carburateur
- O. Oliekoeler (optie)
- P. Uitlaat (optie)
- Q. Brandstofpomp
- R. Startschakelaar \*
- S. Gasregeling \*
- T. Chokeregeling \*
- U. Brandstoffilter (optie)

\* Sommige motoren en machines hebben afstandsbediening. Kijk in de betreffende handleiding voor de locatie en de bediening van de afstandsbediening.

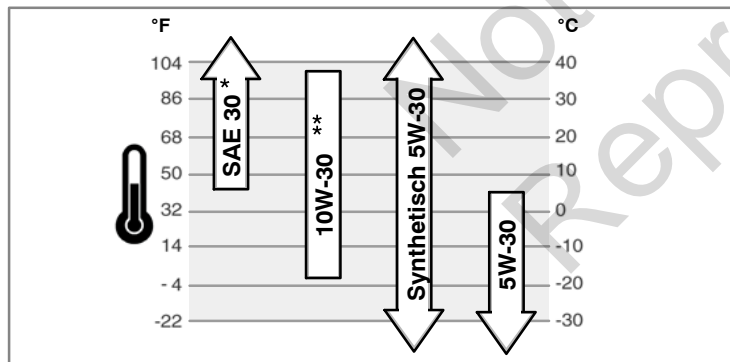
## Werking

Oliecapaciteit (zie het **Specificaties** hoofdstuk)

### Aanbevolen olie

Wij bevelen voor de beste prestaties het gebruik aan van Briggs & Stratton Warranty Certified olie. Andere hoogwaardige detergerende oliesoorten zijn aanvaardbaar als ze zijn SF, SG, SH, SJ of hoger zijn geclassificeerd. Geen speciale additieven gebruiken.

De juiste olieviscositeit voor de motor wordt bepaald door de buitentemperaturen. Kijk op de overzichtstabel en kies hieruit de beste viscositeit voor de verwachte buitentemperaturen.



\* Wordt SAE 30 olie gebruikt bij temperaturen onder 40°F (4°C), dan leidt dat tot startproblemen.

\*\* Het gebruik van 10W-30 bij temperaturen boven 80°F (27°C) kan leiden tot verhoogd olieverbruik. Controleer het oliepeil vaker.

### Olie peilen/bijvullen - Fig. 2

Voordat de olie bijgevuld of gecontroleerd wordt

- Plaats de motor waterpas.
  - Reinig rond de olievulopening.
1. Verwijder de peilstok (A) en veeg deze af met een schone doek (Fig. 2).
  2. Installeer de peilstok en draai deze vast.
  3. Verwijder de peilstok en controleer het oliepeil. Het moet tot de bovenkant van de "full" markering (B) op de peilstok zitten.
  4. Indien laag, langzaam olie bijvullen via de olie vulopening van de motor (C). **Niet overvullen.** Wacht een minuut na het bijvullen van olie en controleer dan opnieuw het oliepeil.
  5. Breng de peilstok weer aan en draai deze vast.

### Oliepeilcontrolesysteem (indien aanwezig)

Sommige motoren zijn voorzien van een sensor voor het oliepeil. Als het oliepeil te laag is schakelt de sensor een waarschuwinglampje in of schakelt de motor uit. Schakel de motor uit en voer de volgende stappen uit voordat u de motor weer start.

- Zorg ervoor dat de motor waterpas staat.
- Controleer het oliepeil. Zie hiervoor het hoofdstuk **Hoe controleren/Olie bijvullen**.
- Als het oliepeil te laag is vult u de juiste hoeveelheid olie bij. Start de motor en controleer of het waarschuwinglampje (indien aanwezig) niet gaat branden.
- Als het oliepeil niet te laag is **mag** de motor niet gestart worden. Neem contact op met een officiële Briggs & Stratton-dealer om het olieprobleem te laten herstellen.

### Brandstof Aanbevelingen

Brandstof moet aan deze voorwaarden voldoen:

- Schone, verse, loodvrije benzine.
- Een minimum octaangetal van 87/87 AKI (91 RON). Zie hieronder voor gebruik op grote hoogten.
- Benzine met tot 10% ethanol (gasoline) is aanvaardbaar.

**VOORZICHTIG:** Gebruik geen niet-goedgekeurde benzine zoals E15 en E85. Meng geen olie door de benzine of modificeer de motor niet voor gebruik op alternatieve brandstoffen. Het gebruik van niet-goedgekeurde brandstof zal motorcomponenten beschadigen en **de motorgarantie ongeldig doen maken**.

Meng om het brandstofsysteem tegen het vormen van gom te beschermen een brandstofstabilisator door de brandstof. Zie **Opslag**. Alle brandstof is niet hetzelfde. Wanneer start of prestatieproblemen optreden, verander dan van brandstofleverancier of -merk. Deze motor is gecertificeerd om te werken op benzine. Het emissiebeheersingssysteem van deze motor is EM (Engine Modifications).

### Grote Hoogten

Bij hoogten boven 1524 meter is een minimum octaangetal 85/85 AKI (89 RON) benzine acceptabel. Om aan emissievoorschriften te voldoen, is aanpassing aan grote hoogten noodzakelijk. Gebruik zonder deze aanpassing zal resulteren in verminderde prestaties en toename van emissies. Raadpleeg een geautoriseerde Briggs & Stratton Dealer voor informatie over aanpassing voor grote hoogten.

Gebruik van de motor onder 762 meter met een set voor gebruik op grote hoogten wordt niet aanbevolen.

### Brandstof bijvullen - Fig. 3



#### WAARSCHUWING



**Brandstof en zijn dampen zijn uiterst brandbaar en explosief. Brand of explosie kunnen ernstige brandwonden of de dood veroorzaken.**

#### Bij het toevoegen van brandstof

- Zet de motor uit en laat deze tenminste 2 minuten afkoelen voordat de tankdop verwijderd wordt.
- Vul de brandstoftank buitenshuis of in een goed geventileerde omgeving.
- De brandstoftank niet te vol gieten. Om de benzine de ruimte te geven om te kunnen uitzetten, de tank niet tot boven de bodem van de tanknek vullen.
- Houd alle brandstof weg van vonken, open vlammen, waakvlammen, hitte en andere ontstekingsbronnen.
- Controleer brandstofslangen, tank, dop en fittingen regelmatig op barsten of lekken. Zonodig vervangen.
- Indien brandstof gemorst wordt, wachten tot deze verdampt is voordat de motor gestart wordt.

1. Reinig het gebied rond de tankdop. Verwijder de tankdop (A, Fig. 3).
2. Vul de brandstoftank (B) met brandstof. Vul niet tot boven de bodem van de brandstoftanknek om uitzetting van de brandstof te compenseren (C).
3. Installeer de tankdop weer.

### De Motor Starten - Fig. 4



#### WAARSCHUWING



**Brandstof en zijn dampen zijn uiterst brandbaar en explosief. Brand of explosie kunnen ernstige brandwonden of de dood veroorzaken.**

#### Bij het starten van de motor

- Zorg ervoor dat bougie, uitlaat, tankdop en luchtfilter (indien de motor hiermee is uitgerust) op hun plaats zitten en stevig vast zitten.
- Torn de motor niet indien de bougie verwijderd is.
- Wanneer de motor "verzopen" is, plaats de choke (indien hiermee uitgerust) in de stand OPEN/"RUN" (=aan), beweeg de toerentalbediening (indien hiermee uitgerust) naar de "fast" (=volgas) positie en torn tot de motor start.



## WAARSCHUWING






**GEVAAR OP GIFTIG GAS.** De motoruitlaat bevat koolmonoxide dat u op enkele minuten kan doden. U kunt het NIET zien, ruiken of proeven. Zelfs al u geen uitlaatdampen ruikt, kunt u nog altijd worden blootgesteld aan koolmonoxidegas. Als u zich ziek, duizelig of zwak begint te voelen bij gebruik van dit product, sluit het dan af en verkrijg ONMIDDELIJK verse lucht. Ga naar een dokter. U hebt mogelijk koolstofmonoxidevergiftiging.

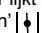

- Gebruik dit product ALLEEN buiten ver weg van vensters, deuren en ventilaties om het risico te verminderen op koolstofmonoxidegas door accumulatie en potentieel aangetrokken te worden naar ingenomen ruimtes.
- Installeer batterij aangedreven koolstofmonoxide-alarmen of plug-in koolstofmonoxide-alarmen met batterij back-up volgens de instructies van de fabrikant. Rookalarmen kunnen geen koolstofmonoxidegas detecteren.
- Gebruik dit product NIET in woningen, garages, kelders, kruipruimtes, schuurtjes of andere gedeeltelijk ingesloten ruimtes zelfs bij gebruik van ventilators of geopende deuren of vensters voor ventilatie. Koolstofmonoxide kan snel opbouwen in deze ruimtes en kan uren blijven hangen, zelfs nadat dit product uitgeschakeld is.
- Plaats dit product ALTIJD met de wind mee en richt de motoruitlaat altijd van de gebruikte ruimtes weg.

**OPGEPAST:** Deze motor is door Briggs & Stratton zonder olie verzonden. Zorg er voordat U de motor start voor dat olie volgens de instructies in deze handleiding wordt bijgevoerd. Wanneer U de motor zonder olie start, zal deze onherstelbaar beschadigen en dit zal niet door garantie gedekt zijn.

**Noot:** Sommige motoren en machines hebben afstandsbediening. Kijk in de betreffende handleiding voor de locatie en de bediening van de afstandsbediening.

1. Controleer het oliepeil. Zie het **Olie controleren/toevoegen** hoofdstuk.
2. Zorg ervoor dat de aandrijvingbedieningen van de machine, indien hiermee uitgerust, ontkoppeld zijn.
3. Draai de benzinekraan (A), indien de machine hiermee is uitgerust, op de stand (Fig. 4).
4. Zet de snelheidsregeling (B) op snel . Bedien de motor in de snelle  stand.
5. Trek de chokeregeling (C), indien de machine hiermee is uitgerust, uit in de chokestand.

**Noot:** Om de motor op te starten met een droog brandstofsysteem (de eerste keer dat u start nadat de brandstof is opgebraakt), moet u wat langer starten in de chokestand . Hierdoor heeft de brandstofpomp wat meer tijd om het brandstofsysteem van brandstof te voorzien.

6. Druk de stopschakelaar (D), indien de machine hiermee is uitgerust, op de ON-stand.
  7. Draai de startsleutel (E) op de stand ON/start (Fig. 4).
  8. Als de motor lijkt aan te slaan maar niet blijft lopen, zet dan de chokeregeling (C) op de stand 'run'  om de motor te starten.
- OPGEPAST:** Om de levensduur van de startmotor te verlengen steeds kortstondig starten (maximaal vijf seconden). Wacht een minuut tussen twee startpogingen.
- Noot:** Als de motor na herhaalde pogingen niet start, ga dan naar **VanguardEngines.com** of raadpleeg de importeur **1-800-999-9333** (in de USA).
9. Beweeg wanneer de motor opwarmt de chokebediening (C) naar de "RUN" (=aan)  positie.

## De Motor Stoppen - Fig. 4



## WAARSCHUWING



**Brandstof en zijn dampen zijn uiterst brandbaar en explosief. Brand of explosie kunnen ernstige brandwonden of de dood veroorzaken.**

- De carburateur niet choken om de motor te stoppen.

1. Zet de snelheidsregeling op de langzame stand, draai de startsleutel (E) op de off-stand (Fig. 4). Verwijder de sleutel en bewaar deze op een veilige plaats buiten het bereik van kinderen.
2. Druk de stopschakelaar (D), indien de machine hiermee is uitgerust, op de off-stand.
3. Zet, nadat de motor is gestopt, de benzinekraan (A), indien de machine hiermee is uitgerust, op de dichte stand.

## Onderhoud

Wij adviseren dat U voor al het onderhoud en alle service aan de motor en de motoronderdelen een geautoriseerde Briggs & Stratton dealer raadpleegt.

**OPGEPAST:** Alle componenten die zijn gebruikt om deze motor te bouwen moeten op hun plaats blijven voor een juiste werking.



**WAARSCHUWING:** Wanneer onderhoud wordt uitgevoerd waarvoor de unit gekanteld moet worden, dient de brandstoftank leeg te zijn, anders kan er brandstof uitlekken wat kan leiden tot brand en explosie.

## Emissiebeheersing

**Onderhoud, vervanging of reparatie van emissiebeheersing voorzieningen en systemen kunnen uitgevoerd worden door elke reparatie-inrichting of -individu voor "non-road" motoren.** Echter, voor het verkrijgen van gratis emissiebeheersing service moet het werk worden uitgevoerd door een door de fabriek geautoriseerde dealer. Zie de Emissies Garantie.



## WAARSCHUWING



**Per ongeluk vonken kan resulteren in brand of een elektrische schok.**

**Per ongeluk starten kan resulteren in verwarring, traumatische amputatie, of verscheuring.**



**Brandgevaar**



**Voordat afstellingen of reparaties worden uitgevoerd:**

- Ontkoppel de bougiekabel en houd deze weg van de bougie.
- Ontkoppel de accu bij de negatieve aansluiting (alleen motoren met elektrostart).
- Gebruik uitsluitend de juiste gereedschappen.
- Verander niets aan reguleerveren, verbindingstangen of andere onderdelen om het motortoerental te verhogen.
- Vervangingsonderdelen moeten identiek zijn aan de originele onderdelen en op dezelfde plaats worden gemonteerd. Andere onderdelen bieden mogelijk minder goede prestaties, ze kunnen het apparaat beschadigen en mogelijk letsel veroorzaken.
- Sla niet met een hamer of hard voorwerp tegen het vliegwiel omdat het vliegwiel anders later uit elkaar kan vliegen tijdens bedrijf.

**Bij het controleren op vonken:**

- Gebruik een goedgekeurde vonktester.
- Controleer niet op vonken met de bougie verwijderd.

## Onderhoudskaart

<b>Eerste 5 uur</b>
• Olie verversen
<b>Iedere 8 uur of dagelijks</b>
• Motoroliepeil controleren
• Reinigen rond uitlaat en bedieningen
<b>Iedere 100 uur of jaarlijks</b>
• Reinig of vervang de luchtfilter * ▲
• Motorolie en -filter vervangen
• Verwijder de voorfilter (indien hiermee uitgerust) *
• Bougie vervangen
• Uitlaat en vonkenvanger controleren
<b>Iedere 250 uur of jaarlijks</b>
• Klepspanning controleren. Zonodig bijstellen.
<b>Iedere 400 uur of jaarlijks</b>
• Luchtfilter vervangen ▲
• Brandstoffilter vervangen
• Luchtkoelsysteem reinigen *
• Oliekoelervinnen reinigen *
<b>Iedere 600 uur of jaarlijks</b>
• Veiligheidsfilter vervangen (indien hiermee uitgerust)

\* Vaker reinigen onder stoffige omstandigheden of wanneer zich veel zwevend vuil in de omgeving bevindt.

▲ Vervang de binnenste veiligheidsfilter (indien aanwezig) elke derde luchtfiltervervanging.

## Snelheidsaanpassing carburateur en motor

Pas nooit de carburateur en motorsnelheid aan. De carburateur was ingesteld in de fabriek om onder de meeste omstandigheden doeltreffend te werken. Knoi niet met de reguleur, verbindingen of andere onderdelen om de motorsnelheid te wijzigen. Neem contact op met een Briggs & Stratton Geautoriseerd Service Center voor onderhoud.

**OPMERKING:** De fabrikant van de apparatuur specificeert de maximum snelheid voor de motor zoals geïnstalleerd op de apparatuur. **Overschrijd** deze snelheid niet. Als u niet zeker weet wat de maximum snelheid van de apparatuur is of wat de motorsnelheid ingesteld in de fabriek is, neem dan contact op met een Briggs & Stratton Geautoriseerd Service Center voor bijstand. Voor een veilige en correcte werking van de apparatuur, mag de motorsnelheid enkel aangepast worden door een gekwalificeerde onderhoudstechnicus.

## De Bougie Vervangen - Fig. 5

Controleer de elektrodeafstand (A, Fig. 5) met een draadvoeler (B). Verstel zonodig de opening. Installeer de bougie en draai deze vast met het aanbevolen aanhaalkoppel. Zie voor afstelling van de opening of het aanhaalkoppel de **Specificaties** sectie.

**Noot:** In sommige gebieden schrijven plaatselijke wetten het gebruik voor van een weerstandsbougie om ontstekingsignalen te onderdrukken. Indien deze motor origineel was uitgerust met een weerstandsbougie, gebruik dan voor vervanging hetzelfde type bougie.

## Uitlaat en Vonkenvanger Inspecteren - Fig. 6



### WAARSCHUWING



**Draaiende motoren produceren hitte. Motoronderdelen, vooral de uitlaat, worden uiterst heet.**



**Ernstige brandwonden kunnen optreden bij contact.**



**Brandbaar vuil, zoals bladeren, gras, hout, enz., kan in brand geraken.**

- Laat uitlaat, motorcilinder en vinnen afkoelen voordat deze aangeraakt worden.
- Verwijder opgehoopt vuil van het uitlaat- en cilindergebied.
- In Californië is het een overtreding van de California Public Resource Code, paragraaf 4442, om de motor te gebruiken of te laten draaien in bosgebied, of op land met struiken of gras tenzij het uitlaatsysteem is voorzien van een vonkenvanger zoals gedefinieerd in paragraaf 4442 die zodanig is onderhouden dat hij goed werkt. Andere staten of landen kunnen soortgelijke wettelijke voorschriften hebben. Neem contact op met de fabrikant van de apparatuur, de wederverkoper of de dealer voor de aanschaf van een vonkenvanger die is gemaakt voor het uitlaatsysteem dat op deze motor is geïnstalleerd.

Verwijder opgehoopte rommel rondom de geluiddemper en de cilinder. Kijk de geluiddemper (A, Fig. 6) na op scheurtjes, corrosie en andere beschadigingen. Verwijder, indien aanwezig, de vonkenvanger (B) en kijk hem na op beschadigingen en verstopping door koolvorming. Als u beschadigingen aantreft, installeer dan vervangingsonderdelen voordat u het apparaat weer gebruikt.



**WAARSCHUWING:** Vervangingsonderdelen moeten identiek zijn aan de originele onderdelen en op dezelfde plaats worden gemonteerd. Andere onderdelen bieden mogelijk minder goede prestaties, ze kunnen het apparaat beschadigen en mogelijk letsel veroorzaken.

## Olie verversen - Fig. 7

Gebruikte olie is gevaarlijk afval en moet op de juiste manier weggegooid worden. Niet met huishoudelijk afval weggooien. Raadpleeg de plaatselijke autoriteiten, servicecentrum of dealer voor veilige manieren om weg te gooien/te recyclen.

## Olie verwijderen

1. Ontkoppel, met de motor uit maar nog steeds warm, de bougiekabel (A) en houd deze weg van de bougie (Fig. 7).
2. Verwijder de olie aftapplug (B). Tap de olie af in een goedgekeurde container.
3. Installeer nadat de olie is afgetapt de olie aftapplug en draai deze vast.

## Oliefilter Vervangen

Alle modellen zijn uitgerust met een oliefilter. Raadpleeg voor vervangingsintervallen de **Onderhoud** kaart.

1. Tap de olie van de motor af. Zie de **Olie Verwijderen** sectie.
2. Verwijder de oliefilter (C, Fig. 7) en gooi het op de juiste manier weg.
3. Smeer voordat U de nieuwe filter installeert, de oliefilterpakking in met verse, schone olie in.
4. Installeer de oliefilter met de hand tot de pakking in aanraking komt met de oliefilteradapter, draai dan de oliefilter nog 1/2 tot 3/4 slagen vast.
5. Vul olie bij. Zie de **Specificaties** sectie.
6. Start de motor en laat deze draaien. Controleer terwijl de motor opwarmt op olielekages.

7. Stop de motor en controleer het oliepeil. Het moet tot de bovenkant van de "full" markering (F) op de peilstok zitten.

## Olie Toevoegen

- Plaats de motor waterpas.
  - Reinig rond de olievlopening.
  - Raadpleeg de **Specificaties** sectie voor de oliecapaciteit.
1. Verwijder de peilstok (D, Fig. 7) en veeg deze af met een schone doek.
  2. Giet de olie langzaam in de olievlopening van de motor (E). **Niet overvullen.** Wacht na het bijvullen van olie een minuut en controleer dan het oliepeil.
  3. Installeer de peilstok en draai deze vast.
  4. Verwijder de peilstok en controleer het oliepeil. Het moet tot de bovenkant van de "full" markering (F) op de peilstok zitten.
  5. Installeer de peilstok en draai deze vast.

## De Luchtfilter onderhouden - Fig. 8 9



### WAARSCHUWING

**Brandstof en zijn dampen zijn uiterst brandbaar en explosief. Brand of explosie kunnen ernstige brandwonden of de dood veroorzaken.**

- Start of gebruik de motor nooit met verwijderde luchtreiniger (indien de motor hiermee is uitgerust) of verwijderd luchtfilter (indien de motor hiermee is uitgerust).

**OPGEPAST:** Gebruik geen perslucht of oplosmiddelen om de luchtfilter te reinigen. Perslucht kan de filter beschadigen en oplosmiddelen zullen de filter oplossen.

Het luchtfiltersysteem gebruikt een cycloon luchtfilter of een laagprofiel luchtfilter. Raadpleeg de **Onderhoud Kaart** voor benodigde service.

### Cycloon Luchtfiltersysteem

1. Open de grendels (A) en verwijder het deksel (B). Zie Fig. 8.
2. Verwijder de luchtfilter (C).
3. Tik om vuil los te maken voorzichtig tegen een hard oppervlak. Wanneer de luchtfilter erg vuil is, vervang deze dan door een nieuw luchtfilter.
4. Het cycloon luchtfiltersysteem heeft ook een veiligheidsfilter (D) (indien hiermee uitgerust). Raadpleeg de **Onderhoud Kaart** voor service behoeften. Trek om te verwijderen de veiligheidsfilter voorzichtig van het luchtfilterhuis (E) en gooi deze weg. Voorkom dat vuil de motor binnendringt.
5. Installeer de nieuwe veiligheidsfilter in het luchtfilterhuis.
6. Installeer de luchtfilter over de veiligheidsfilter.
7. Installeer het deksel en sluit de grendels.

### Laagprofiel Luchtfiltersysteem

1. Verwijder de knop (F) en het deksel (G). Zie Fig. 9.
2. Verwijder de moer (H) en de houder (J).
3. Verwijder de luchtfilter (K).
4. Verwijder de voorfilter (L), indien hiermee uitgerust, van de luchtfilter.
5. Tik om vuil los te maken voorzichtig tegen een hard oppervlak. Wanneer de luchtfilter erg vuil is, vervang deze dan door een nieuw luchtfilter.
6. Was de voorfilter in een vloeibaar oplosmiddel en water. Laat deze dan grondig drogen. De voorfilter **niet** inoliën.
7. Assembleer de droge voorfilter tegen de luchtfilter.
8. Installeer de luchtfilter en bevestig deze met de houder en moer.
9. Installeer het luchtfilterdeksel en zet het vast met de knop.

## Luchtkoelingsysteem reinigen - Fig. 11 12



### WAARSCHUWING

**Draaiende motoren produceren hitte. Motoronderdelen, vooral de uitlaat, worden uiterst heet. Ernstige brandwonden kunnen optreden bij contact. Brandbaar vuil, zoals bladeren, gras, hout, enz., kan in brand geraken.**

- Laat uitlaat, motorcilinder en vinnen afkoelen voordat deze aangeraakt worden.
- Verwijder opgehoopt vuil van het uitlaat- en cilindergebied.

**OPGEPAST:** Gebruik geen water om de motor te reinigen. Water kan het brandstofsysteem verontreinigen. Gebruik een borstel en droge doek om de motor te reinigen.

Dit is een luchtgekoelde motor. Vuil kan de luchtstroom belemmeren en veroorzaken dat de motor oververhit raakt, wat resulteert in slechte prestaties en verminderde levensduur van de motor.

Verwijder met een borstel of droge doek vuil van de vingerbeschermer (A, Fig. 11). Houd verbindingen, veren en bedieningen (B) schoon. Houd het gebied rond en achter de uitlaat (C) vrij van brandbaar vuil. Zorg ervoor dat de oliekoelervinnen (D) vrij zijn van vuil.

Reinig het gebied onder het paneel (E, Fig. 12). Draai de twee schroeven (F) los tot U een klik hoort. Verwijder het paneel en reinig het gebied van alle vuil. Zorg ervoor dat de onderkant ook schoon is. Installeer het paneel en draai de schroeven vast tot U een klik hoort.

## Brandstoffilter Vervangen - Fig. 10



### WAARSCHUWING

Brandstof en zijn dampen zijn uiterst brandbaar en explosief.  
Brand of explosie kunnen ernstige brandwonden of de dood veroorzaken.

- Houd alle brandstof weg van vonken, open vlammen, waakvlammen, hitte en andere ontstekingsbronnen.
- Controleer brandstofslangen, tank, dop en nippels regelmatig op barsten of lekkages. Zonodig vervangen.
- Tap voordat u de brandstoffilter reinigt of vervangt eerst de brandstoftank af of draai de brandstofkraan dicht.
- Vervangingsonderdelen voor de uitlaat moeten hetzelfde zijn en op dezelfde manier geïnstalleerd worden als de originele onderdelen.
- Indien brandstof gemorst wordt, wachten tot deze verdampt is voordat de motor gestart wordt.

1. Tap voordat de brandstoffilter vervangen wordt (A, Fig. 10), indien hiermee uitgerust, de brandstoftank af of sluit de brandstofkraan. Anders kan brandstof weglekken en brand of een explosie veroorzaken.
2. Gebruik een tang voor het indrukken van de nokken (B) van de klemmen (C), schuif dan de klemmen weg van de brandstoffilter. Draai en trek de brandstofslangen (D) van de brandstoffilter.
3. Controleer de brandstofslangen op barsten en lekkages. Vervang ze zonodig.
4. Vervang de brandstoffilter door een originele filter.
5. Bevestig de brandstofslangen met de klemmen als getoond.

## Opslag



### WAARSCHUWING



Brandstof en zijn dampen zijn uiterst brandbaar en explosief.  
Brand of explosie kunnen ernstige brandwonden of de dood veroorzaken.

#### Bij Het Opslaan Van Brandstof Of De Machine Met Brandstof In De Tank

- Opslaan uit de buurt van fornuizen, kachels, geisers of boilers of andere apparaten die een waakvlam bevatten of andere ontstekingsbronnen, omdat deze brandstofdampen kunnen doen ontbranden.

### Brandstofsysteem

Brandstof kan verouderen indien deze langer wordt bewaard dan 30 dagen. Verouderde brandstof veroorzaakt dat zich zuur- en gomafzettingen vormen in het brandstofsysteem en op essentiële carburateurdelen. Gebruik om de brandstof vers te houden **Briggs & Stratton Advanced Formula Fuel Treatment & Stabilizer**, verkrijgbaar overal waar originele Briggs & Stratton onderdelen worden verkocht.

Gebruik voor motoren die zijn uitgerust met een FRESH START® brandstofdop **Briggs & Stratton FRESH START®** dat verkrijgbaar is druppelatronen met concentraat.

De brandstof hoeft niet afgetapt te worden indien een brandstofstabilisator volgens de instructies is toegevoegd. Laat de motor 2 minuten draaien om de stabilisator door het brandstofsysteem te laten circuleren voordat u de motor opbergt.

Wanneer de benzine in de motor niet is behandeld met een brandstofstabilisator, dan moet deze afgetapt worden in een geschikte container. Laat de motor draaien tot deze stopt door brandstofgebrek. Het gebruik van een brandstofstabilisator in de jerrycan wordt aanbevolen om versheid te verzekeren.

### Motorolie

Ververs, terwijl de motor nog warm is, de motorolie.

### Storingzoeken

Hulp nodig? Ga naar [VanguardEngines.com](http://VanguardEngines.com) of raadpleeg de website van de importeur **1-800-999-9333** (in de USA).

## Specificaties

Motorspecificaties	
Model	540000
Cilinderinhoud	896 cc
Boring	85,5 mm
Slag	78,0 mm
Oliecapaciteit	2,3 - 2,4 L

Motorspecificaties	
Model	610000
Cilinderinhoud	993 cc
Boring	85,5 mm
Slag	86,5 mm
Oliecapaciteit	2,3 - 2,4 L

Onderhoud specificaties *	
Model	540000
Bougie elektrodeafstand	0,76 mm
Bougie aanhaalkoppel	20 Nm
Ontstekingsspoel luchtspleet	0,13 - 0,20 mm
Inlaatklepspel	0,10 - 0,15 mm
Uitlaatklepspel	0,10 - 0,15 mm

Onderhoud specificaties *	
Model	610000
Bougie elektrodeafstand	0,76 mm
Bougie aanhaalkoppel	20 Nm
Ontstekingsspoel luchtspleet	0,13 - 0,20 mm
Inlaatklepspel	0,10 - 0,15 mm
Uitlaatklepspel	0,10 - 0,15 mm

\* Het motorvermogen zal afnemen met 3,5% voor elke 300 meter boven zeeniveau en 1% voor iedere 5,6° C boven 25° C. De motor zal bevredigend functioneren onder een hoek tot 15°. Raadpleeg de gebruiksaanwijzing van de machine voor maximum veilige toegestane hellingshoeken.

### Algemene service onderdelen ✓

Service onderdeel	Onderdeelnummer
Luchtfilter, Cycloon	841497
Veiligheidsfilter, Cycloon	821136
Luchtfilter, Laag Profiel	692519
Voorfilter, Laag Profiel	692520
Olie - SAE 30	100028
Oliefilter	842921

Service onderdeel	Onderdeelnummer
Brandstoffilter	691035
Brandstofadditief	5041, 5058
Weerstandsbougie	491055
"Long life platinum" bougie	5066
Bougiesleutel	19374
Vonktester	19368

✓ Wij adviseren dat U voor al het onderhoud en alle service aan de motor en de motoronderdelen een geautoriseerde Briggs & Stratton servicedealer raadpleegt.

## GARANTIEBEPALINGEN

Briggs & Stratton garandeert dat het tijdens de hieronder gespecificeerde garantieperiode elk onderdeel gratis zal repareren of vervangen dat een defect vertoont in materiaal of bewerking of beide. Transportkosten voor onderdelen die zijn ingezonden voor reparatie of vervanging onder deze garantie komen ten laste van de koper. Deze garantie is geldig voor- en onderhavig aan de onderstaande periodes en voorwaarden. Raadpleeg voor garantieservice de dichtstbijzijnde Geautoriseerde Service Dealer in onze "dealer locator map" op BRIGGSandSTRATTON.COM. De koper moet contact opnemen met de Geautoriseerde Service Dealer en het product vervolgens ter beschikking stellen van deze Geautoriseerde Service Dealer voor inspectie en testen.

**Er is geen andere expliciete garantie. Impliciete garanties, inclusief die van verkoopbaarheid en geschiktheid voor een bepaald doel, zijn beperkt tot één jaar vanaf aankoop, of tot die omvang die door de wet is toegestaan. Alle andere impliciete garanties zijn uitgesloten. Aansprakelijkheid voor incidentele- of gevolgschades zijn uitgesloten voor zover deze uitsluiting wettig is toegestaan.** Sommige rechtsgebieden staan geen beperking toe met betrekking tot hoe lang inbegrepen garantie duurt, en sommige rechtsgebieden staan geen uitsluiting toe met betrekking tot incidentele- of gevolgschades, dus de bovenvermelde beperkingen en uitsluitingen kunnen mogelijk niet op U van toepassing zijn. Deze garantie geeft U bepaalde specifieke rechten en U kunt mogelijk andere rechten hebben die van rechtsgebied tot rechtsgebied variëren \*\*.

## STANDAARD GARANTIEVOORWAARDEN \* ▲

Merk/Product Type	Particulier Gebruik	Commercieel Gebruik
Vanguard™ ■	3 jaar	3 jaar
Commercial Turf Series™	2 jaar	2 jaar
Extended Life Series™; I/C®; Intek™ I/C®; Intek™ Pro;™ Professional Series™ met Dura-Bore™ gietijzeren cilindervoering; 850 Series™ met Dura-Bore™ gietijzeren cilindervoering; Snow Series MAX™ met Dura-Bore™ gietijzeren cilindervoering Alle andere Briggs & Stratton motoren met Dura-Bore™ gietijzeren cilindervoering	2 jaar	1 jaar
Alle andere Briggs & Stratton motoren	2 jaar	90 dagen

\* Dit zijn onze standaard garantievoorwaarden. Soms kan er echter aanvullende garantiedekking zijn die nog niet was bepaald ten tijde van deze publicatie. Ga voor een lijst van de op dit moment geldende garantievoorwaarden voor uw motor naar BRIGGSandSTRATTON.COM of neem contact op met uw Geautoriseerde Briggs & Stratton Service Dealer.

\*\* In Australië - Onze goederen worden geleverd met garanties die niet uitgesloten kunnen worden onder de Australische consumentenwetgeving. U hebt recht op een vervanging of restitutie voor een belangrijk defect en op compensatie voor enig ander redelijk voorzienbaar verlies of schade. U hebt ook recht op reparatie of vervanging van de goederen als ze niet van aanvaardbare kwaliteit zijn en het defect geen belangrijk defect is. Voor garantieservice dient U de dichtstbijzijnde Geautoriseerde Service Dealer te vinden in onze "dealer locator" kaart op BRIGGSandSTRATTON.COM of door te telefoneren naar 1300 274 447, of door te e-mailen of schrijven naar salesenquiries@briggsandstratton.com.au, Briggs & Stratton Australia Pty Ltd, 1 Moorebank Avenue, Moorebank, NSW, Australia, 2170.

▲ Home Stand-by Generator-toepassingen: Worden uitsluitend onder particulier gebruik gedurende 2 jaar gegarandeerd. Geen commerciële garantie. Deze garantie geldt niet voor toepassingen die worden gebruikt om primair het utiliteitsnet te vervangen. **Motoren die worden gebruikt voor competitief racen of op commerciële- of huircircuits worden niet gegarandeerd.**

■ Vanguard geïnstalleerd op "Stand-by" generatoren: 2 jaar voor particulier gebruik, geen garantie voor commercieel gebruik. Vanguard geïnstalleerd op "utility" voertuigen: 2 jaar voor particulier gebruik, 2 jaar voor commercieel gebruik. Vanguard 3-cilinder vloeistofgekoeld: zie Briggs & Stratton 3/LC Garantievoorwaarden.

De garantieperiode begint op de dag van aankoop van de eerste detailhandelconsument of commerciële eindgebruiker en gaat door voor de tijdsperiode in bovenstaande tabel. "Particulier gebruik" betekent persoonlijk huishoudelijk gebruik door een detailhandelconsument. "Commercieel gebruik" betekent elk ander gebruik, inclusief inkomen verschaffend gebruik of verhuurdoeleinden. Als een motor eenmaal commercieel gebruikt is, dan zal deze daarna voor deze garantie als commercieel gebruikt worden beschouwd.

**Er is geen garantieregistratie nodig om garantie te verkrijgen op Briggs & Stratton producten. Bewaar uw aankoopnota. Indien u geen bewijs van de eerste aankoopdatum kunt overleggen op het moment dat om garantieservice verzocht wordt, dan zal de fabricagedatum van het product gebruikt worden om de garantieperiode te bepalen.**

## Over uw garantie

Briggs & Stratton voert de reparatie onder garantie graag voor u uit en verontschuldigt zich bij voorbaat voor het ongemak. Reparaties onder garantie mogen worden uitgevoerd door elke geautoriseerde Service Dealer. De meeste garantiereparaties worden zo afgehandeld; soms zijn verzoeken om garantie echter niet gerechtvaardigd. Om misverstanden, die kunnen optreden tussen de klant en de Dealer, te voorkomen, zijn hieronder sommige oorzaken van motorstoring afgedrukt die de garantie niet dekt.

**Normale slijtage:** Net als alle andere mechanische apparaten hebben motoren periodiek onderhoud nodig en moeten bepaalde onderdelen om de zoveel tijd worden onderhouden of vervangen om goed te presteren. De garantie zal de reparatie niet dekken wanneer normaal gebruik de levensduur van een onderdeel of een motor heeft uitgeput. De garantie is niet van toepassing als de motorschade het gevolg is van verkeerd gebruik, gebrek aan routineonderhoud, verzending, verkeerde behandeling of opslag of onjuiste installatie. Ook vervalt het recht op garantie als het serienummer van de motor is verwijderd of als er iets aan de motor is gewijzigd of aangepast.

**Verkeerd onderhoud:** De levensduur van een motor is afhankelijk van de omstandigheden waaronder hij wordt gebruikt en de mate van zorg voor de motor. Bepaalde toepassingen, zoals grondfreesen, vuilwaterpompen of cirkelmaaiers moeten vaak werken onder stoffige en vuile omstandigheden, die kunnen leiden tot wat lijkt op voortijdige slijtage. Zulke slijtage, indien veroorzaakt door vuil, stof, bougie reiniger of ander schurend materiaal dat de motor is binnengedrongen door verkeerd onderhoud, wordt niet door garantie gedekt.

**Deze garantie dekt uitsluitend aan de motor gerelateerde defecte materialen en/of bewerkingen, en niet vervanging of vergoeding van de machine waarop de motor gemonteerd kan zijn. Noch strekt de garantie zich uit tot reparaties die nodig zijn door:**

- 1 **Problemen veroorzaakt door onderdelen die geen originele Briggs & Stratton onderdelen zijn.**
- 2 Bedieningsonderdelen of -installaties waardoor de motor niet start, die slechte motorprestaties veroorzaken of de levensduur van de motor bekorten. (Neem contact op met de machinefabrikant.)
- 3 Lekkende carburateurs, verstopte brandstofbuizen, vastklevende kleppen, of andere schade die wordt veroorzaakt door vervuilde of verschaalde brandstof.

- 4 Onderdelen die zijn ingelopen of kapot zijn gegaan omdat een motor werd gebruikt met onvoldoende of vervuilde smeeroilie, of een verkeerd type smeeroilie (controleer het oliepeil en vul het zonnodig bij met de aanbevolen intervallen). OIL GARD kan mogelijk een draaiende motor niet uitschakelen. Motorschade kan optreden wanneer de olie niet correct op peil gehouden wordt.
- 5 Reparatie of afstelling van bijbehorende onderdelen en samenstellen zoals koppelingen, aandrijvingen, afstandbedieningen enz. die geen Briggs & Stratton-fabricaat zijn.
- 6 Schade of slijtage die veroorzaakt is door het binnendringen van vuil doordat de luchtfilter verkeerd is onderhouden of weer gemonteerd, of wanneer een niet-origineel luchtfilterelement of -patroon wordt gebruikt. Reinig en/of vervang de filter als aangegeven in de gebruiksaanwijzing.
- 7 Onderdelen die beschadigd zijn door overtoeren draaien of oververhitting veroorzaakt door gras, vuil of verontreiniging dat de koelvinnen afdekt of het vliegwielfgebied verstopt, of schade die wordt veroorzaakt door het gebruik van de motor in een afgesloten ruimte zonder voldoende ventilatie. Reinig de motor en verwijder het vuil conform de intervallen die zijn aangegeven in de gebruiksaanwijzing.
- 8 Motor- of machineonderdelen die kapot zijn gegaan door overmatig trillen als gevolg van te losse motorbevestiging, losse maaimessen, niet uitbalancerde messen of losse of niet uitbalancerde waaiers, verkeerde bevestiging van de machine aan de motorkrukas, over toeren draaien of ander verkeerd gebruik als de motor in bedrijf is.
- 9 Een kromme of kapotte krukas als gevolg van het raken van een hard voorwerp door het maimes van een motormaaier, of als gevolg van een te strak gespannen V-snaar.
- 10 Normaal onderhoud of afstelling van de motor.
- 11 Defect raken van de motor of een motoronderdeel, zoals verbrandingskamer, kleppen, klepzetels, klepgeleiders, of verbrande startmotorwikkelingen, veroorzaakt door het gebruik van alternatieve brandstoffen, zoals LPG, aardgas, verrijkte benzine met een ethanolgehalte van meer dan 10%, enz.

**Garantieservice is alleen beschikbaar via Briggs & Stratton Geautoriseerde Service Dealers. U vindt uw dichtstbijzijnde Geautoriseerde Service Dealer in onze "dealer locator" kaart op BRIGGSandSTRATTON.COM of door te bellen naar 1-800-233-3723 (in de USA).**

## Generell informasjon

Denne håndboken inneholder sikkerhetsinformasjon som gjør deg oppmerksom på farer og risiko forbundet med motorer, og hvordan du unngår dem. Den inneholder også instruksjoner for riktig bruk og vedlikehold av motoren. Fordi Briggs & Stratton Corporation ikke nødvendigvis vet hvilket utstyr motoren driver, er det viktig at du leser og forstår disse instruksjonene og instruksjonene for utstyret som motoren driver. **Ta vare på denne bruksanvisningen for senere bruk.**

Skriv ned motorens modellnummer, type og kode sammen med kjøpedatoen. Du trenger disse numrene når du bestiller reservedeler eller hvis du trenger teknisk hjelp. Disse numrene står på motoren (se under **Tekniske detaljer og kontroller** side).

**Kjøpedato:** \_\_\_\_\_  
MM/DD/ÅÅÅÅ

**Motormodell:** \_\_\_\_\_  
Modell: Type: Kode:

**Bruttoeffekt:** Den totale bruttoeffekten for individuelle bensinmotormodeller er merket i samsvar med SAE (Society of Automotive Engineers) kode J1940 (Small Engine Power & Torque Rating Procedure) og effekten er målt i samsvar med SAE J1995. Momentytelsene avgjøres ved 2600 RPM for motorene med "rpm" på skiltet og 3060 RPM for alle andre. Antall hestekrefter avgjøres ved 3600 RPM. Bruttoeffektene kan sees på [www.BRIGGSandSTRATTON.COM](http://www.BRIGGSandSTRATTON.COM). Netto effektverdier er tatt med eksos og luftrenser installert mens derimot bruttoverdier er samlet uten disse anordningene. Virkelig brutto motoreffekt vil være høyere enn netto motoreffekt og påvirkes av blant annet omgivelsesforhold og variasjoner mellom de enkelte motorene. Gitt det brede spekteret av produkter disse motorene monteres på, kan det hende at den enkelte bensinmotoren ikke oppnår nominell bruttoeffekt når den er montert på visse typer utstyr. Forskjellen skyldes et antall forskjellige faktorer, inklusive, men ikke begrenset til de forskjellige motorkomponentene (luftfilter, eksos, lading, kjøling, forgasser, drivstoffpumpe etc.), begrensninger som bruksområdet gir, omgivelsesforhold (temperatur, fuktighet, høyde) og variasjoner mellom de forskjellige motorene. På grunn av begrensninger med hensyn til produksjon og kapasitet, kan Briggs & Stratton erstatte en motor med høyere bruttoeffekt med denne motoren.

## Sikkerhet for operator

### SIKKERHET OG KONTROLL SYMBOLER



Brann



Bevegelige deler



Olje



Giftig gass



Sakte



Hurtig



Stopp



Eksplasjon



Elektrisk støt



Fyll bensin



Choke



På Av



Drivstofftilførselen er stengt



Tilbakeslag



Bruk øyebeskyttelse



Farlig kjemikalie



Les håndboken



Varm flate



Frostskader



### ADVARSEL

Enkelte komponenter i dette produktet og de tilhørende delene inneholder kjemikalier som i følge staten California er kreftfremkallende og forårsaker forplantningsskader, fødselsdefekter eller andre skader på forplantningssystemet. Vask hendene etter håndtering.




### ADVARSEL

Avgasser fra denne motoren inneholder kjemikalier som ifølge staten California er kreftfremkallende og forårsaker fosterskader eller andre skader på forplantningssystemet.



### ADVARSEL

Briggs & Stratton motorer er ikke konstruert til å drive følgende kjøretøy og må heller ikke brukes til disse: rallykarter; gokarter; barns, fritidskjøretøy eller terrengkjøretøy (ATV); motorsykler; hoverbåter; flyprodukter; eller kjøretøy som brukes i konkurranser som ikke er godkjent av Briggs & Stratton. For informasjon om produkter til konkurransekjøring, se [www.briggsracing.com](http://www.briggsracing.com). For bruk på nyttekjøretøy og ATV'er med to seter ved siden av hverandre (side-by-side), vennligst ta kontakt med Briggs & Stratton Engine Application Center, 1-866-927-3349. Feil bruk av motorer kan resultere i alvorlige skader eller at noen blir drept.

Sikkerhetsvarselsymboler  brukes til å identifisere informasjon om farlige situasjoner som kan føre til at noen skades. Et signalord (FARLIG, ADVARSEL eller FORSIKTIG) er brukt sammen med varselsymboler for å vise hvor alvorlig den potensielle skaden kan være. I tillegg kan det være gitt et faresymbol som viser til hva slags faresituasjon det gjelder.



**FARLIG** viser til en faresituasjon som vil føre til at noen blir drept eller alvorlig skadet hvis den ikke unngås.



**ADVARSEL** viser til en faresituasjon som kan føre til at noen blir drept eller alvorlig skadet hvis den ikke unngås.



**FORSIKTIG** viser til en faresituasjon som kan føre til mindre eller moderate skader hvis den ikke unngås.

**OBS** viser til en situasjon som kan føre til at produktet blir skadet.

**OBS:** Denne motoren ble sendt fra Briggs & Stratton uten olje. Før du starter motoren, må du sørge for å fylle olje på den slik som beskrevet i denne håndboken. Hvis motoren startes uten olje, vil den bli fullstendig ødelagt og garantien vil ikke være gyldig.





## ADVARSEL



**Drivstoff og drivstoffgass er meget brannfarlig og eksplosiv. En brann eller eksplosjon kan føre til alvorlige brannskader eller dødsfall.**

### Påfylling av bensin

- Slå av motoren og la den avkjøle seg i minst 2 minutter før tanklokket tas av.
- Fyll drivstofftanken utendørs eller på et sted med god ventilasjon.
- Ikke overfyll drivstofftanken. Drivstoffet må ha tilstrekkelig med plass til å utvide seg, og må derfor kun fylles opp til bunnen av drivstofftankens påfyllingshals.
- Alt drivstoff må holdes unna gnister, åpen ild, sparebluss, varme og andre antenneskilder.
- Sjekk drivstoffslanger, tank, lokk, og fester ofte for å se om de har sprekker eller lekkasjer. Skift ut der det er nødvendig.
- Hvis det er blitt sølt drivstoff må du vente til den har fordampet før motoren startes.

### Start av motoren

- Pass på at tennpluggen, eksospotten, bensinlokket og luftfilteret (hvis montert) sitter på plass og er godt festet.
- Motoren må ikke dreies rundt når tennpluggen er tatt ut.
- Hvis drivstoffet har rent over, settes choken (hvis montert) i stillingen OPEN/RUN (åpen/kjør), gassen (hvis montert) på FAST (hurtig) og motoren dreies rundt til den starter.

### Bruk av maskinen

- Motoren eller maskinen må ikke veltes i en så skarp vinkel at drivstoffet kan renne ut.
- Motoren må ikke stoppes ved å kvele forgasseren.
- Motoren må aldri startes eller kjøres uten at luftfilterenheten (hvis montert) eller luftfilteret (hvis montert) sitter på plass.

### Ved skifte av olje

- Hvis oljen tømmes ut av oljepåfyllingsrøret på toppen, må drivstofftanken være tom, ellers kan drivstoff renne ut og forårsake en brann eller en eksplosjon.

### Når maskinen veltes for å utføre vedlikehold

- Når det er nødvendig å velte maskinen for å utføre vedlikehold, må drivstofftanken være tom, ellers kan drivstoff renne ut og forårsake brann eller eksplosjon.

### Transport av maskinen

- Må transporteres med TOM bensintank, eller STENGT bensinranke.

### Lagring av drivstoff eller maskiner med drivstoff på tanken.

- Må ikke lagres/oppbevares i nærheten av fyringsanlegg, ovner, varmtvannsbereidere eller annet utstyr med sparebluss eller lignende varmekilder, fordi de kan antenne drivstoffdamp.



## ADVARSEL



**Det vil dannes gnister når motoren startes. Gnister kan antenne brennbar gass som befinner seg i nærheten.**

**Dette kan føre til at det oppstår en eksplosjon eller brann.**

- Hvis det er lekkasje av naturgass eller LP-gass i nærheten, må du ikke starte motoren.
- Ikke bruk "startgass" da denne gassen er brannfarlig.



## ADVARSEL



**Motorer som er i gang produserer varme. Motordeler, spesielt eksospotten, blir meget varm.**

**Berøring av slike deler kan forårsake alvorlige brannskader.**

**Brennbart materiale, slik som løv, gress, småkratt etc., kan antennes.**

- Vent til eksospotten, motorsylinderen og ribbene blir kalde før du tar på dem.
- Fjern brennbart materiale som har samlet seg i området rundt eksospotten og sylinderen.
- Det er forbudt i følge California Public Resource Code, Section 4442 å bruke motoren på skogbunner eller jord som er dekket med småkratt eller gress hvis ikke eksosystemet er utstyrt med en gnistfanger som holdes i god stand til enhver tid slik som beskrevet i Section 4442. Andre stater eller land kan ha liknede lover. Ta kontakt med maskinprodusenten, importøren eller forhandlerverkstedet for å få en gnistfanger som passer til eksosanlegget på denne motoren.



## ADVARSEL



**FARE FOR GIFTIG GASS. Eksosutslipp fra motoren inneholder karbonmonoksid, en giftig gass som kan drepe deg i løpet av noen få minutter. Du KAN IKKE se den, lukte den eller smake den. Selv om du ikke kan lukte eksosgass, kan du likevel være utsatt for karbonmonoksidgass. Hvis du kjenner at du begynner å bli kvalm, svimmel eller svak mens du bruker dette produktet, stans motoren og gå ut i frisk luft ØYEBLIKKELEG. Kontakt en lege. Du kan ha fått karbonmonoksidforgiftning.**

- Dette produktet må KUN brukes utendørs, og langt unna vinduer, dører og ventiler for å redusere risikoen for at karbonmonoksidgass kan samle seg opp og muligens trenge inn i bebodde arealer.
- Batteridrevne karbonmonoksidvarslere eller innpluggbare karbonmonoksidvarslere med reservebatteri monteres i henhold til produsentens anvisninger. Røykvarslere vil ikke aktiveres av karbonmonoksid
- Dette produktet må IKKE brukes inne i hus, garasjer, kjellere, boder, skjul eller i andre delvis tette rom, selv om det brukes vifter eller dører og vinduer åpnes for å lufte ut. Karbonmonoksid kan raskt samle seg opp i slike områder og kan henge igjen i mange timer, selv etter at dette produktet har stanset.
- Dette produktet må ALLTID plasseres i medvind og med eksosutslippet vendt bort fra bebodde arealer.



## ADVARSEL



**Hurtig tilbakespoling av startsnoren (tilbakeslag) vil trekke hånden og armen raskere mot motoren enn du klarer å slippe taket.**

**Dette kan resultere i beinbrudd, blåmerker eller forstuvning.**

- Når motoren skal startes, trekk sakte i startsnoren helt til du kjenner at det er motstand og trekk så raskt i den for å unngå tilbakeslag.
- Ta av ale påmonterte redskaper/motorbelastninger før motoren startes.
- Maskinkomponenter som er montert direkte, slik som, men ikke begrenset til, kniver, viftehjul, remskiver, kjedehjul etc., må sitte godt fast.



## ADVARSEL



**Hender, føtter, hår, klesplagg eller smykker kan komme i kontakt med roterende deler eller sette seg fast i dem.**

**Dette kan føre til traumatisk amputasjon av legedelers eller store sårskader.**

- Dekslene må alltid sitte på plass når maskinen er i bruk.
- Hold hender og føtter borte fra roterende deler.
- Sett opp langt hår og ta av smykker.
- Du må ikke ha på deg løstsittende klær, snører som henger løst eller noe annet som kan sette seg fast i maskinen.



## ADVARSEL



**En tilfeldig gnist kan forårsake brann eller elektrisk støt.**

**Tilfeldig start kan resultere i at du blir sittende fast i maskineriet, traumatisk amputasjon av legedelers eller sårskader.**

**Brannfare**



### Før justering eller reparasjoner utføres:

- Koble fra tennpluggkabelen og hold den unna tennpluggen.
- Koble fra den negative batteripolen (gjelder kun motorer med elektrisk start).
- Bruk kun korrekt verktøy.
- Ikke kluss med regulatorfjærene, forbindelsesleddene eller andre deler for å øke motorturtallet.
- Reservedeler må ha samme design og monteres i samme stilling som de originale delene. Andre typer deler kan fungere dårligere, skade maskinen og resultere i at noen skades.
- Det må aldri brukes en hammer eller annen hard gjenstand fordi svinghjulet kan sprekkes senere under drift.

### Testing av gnist:

- Bruk en godkjent gnisttester.
- Du må ikke undersøke om det er gnist mens tennpluggen er tatt ut.

# Egenskaper og betjening

Sammenlign illustrasjonen **1** med motoren for å bli kjent med hvor de forskjellige kontrollene og justeringene er plassert.

- A. Motoridentifikasjon  
**Modell Type Kode**
- B. Tennplugg
- C. Luftfilter, syklonisk
- D. Luftfilter, lav profil
- E. Peilestav
- F. Oljepåfylling
- G. Oljefilter
- H. Oljeavløpsplugg
- I. Oljetrykksensor
- J. Fingerskydd
- K. Elektrisk starter
- L. Startsolenoïd
- M. Regulator/likeletter
- N. Forgasser
- O. Oljekjøler (valgfritt)
- P. Eksospotte (valgfritt)
- Q. Drivstoffpumpe
- R. Startbryter \*
- S. Gasskontroll \*
- T. Choke \*
- U. Drivstoffilter (valgfritt)

\* Noen motorer og redskaper har fjernkontroller. Plassering og bruk av disse kontrollene står beskrevet i håndboken som tilhører redskaperen.

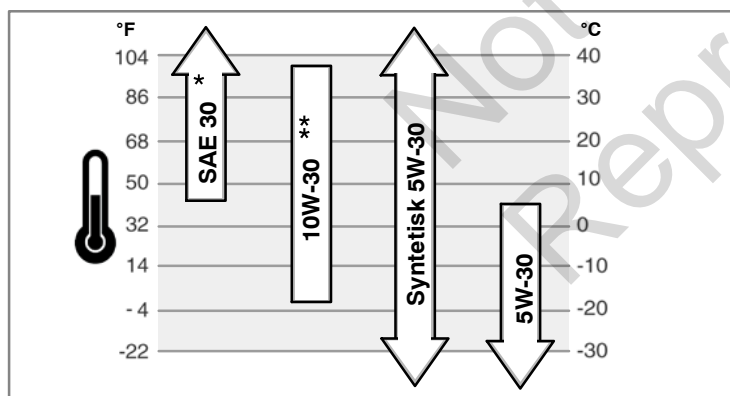
## Funksjon

Oljekapasitet (se under **Spesifikasjoner**)

### Anbefalt olje

Vi anbefaler bruk av Briggs & Stratton oljer som er godkjent under garantien for å få den beste ytelsen. Andre oljer av høy kvalitet er akseptable hvis de er klassifisert for service SF, SG, SH, SJ eller høyere. Det skal ikke brukes spesielle tilsetningsmidler.

Utetemperaturer er avgjørende for valg av riktig oljeviskositet til motoren. Bruk tabellen for å velge den beste viskositeten for det sannsynlige temperaturområdet.



\* Bruk av SAE 30 oljer i temperaturer under 40°F (4°C) vil føre til at motoren blir vanskelig å starte.

\*\* Bruk av 10W-30 i temperaturer over 80°F (27°C) kan føre til økt oljeforbruk. Oljenivået må sjekkes oftere.

### Slik sjekker du/oljenivået - Figur 2

Før oljen fylles på og sjekkes

- Sett motoren vannrett.
  - Rengjør området rundt oljepåfyllingen.
1. Ta ut peilestaven (A) and og tørk av den med en ren fille (Figur 2).
  2. Sett peilestaven tilbake og skru den inn.
  3. Ta ut peilestaven og sjekk oljenivået. Det skal nå opp til toppen av full-indikatoren (B) på peilestaven.
  4. Hvis nivået er lavt, fylles oljen på ved å helle den sakte i oljepåfyllingshullet (C). **Ikke fyll på for mye.** Vent i ett minutt etter at oljen er fylt og sjekk så oljenivået på nytt.
  5. Sett peilestaven tilbake og skru den fast.

### Varselsystem for lavt oljenivå (hvis montert)

Noen motorer er utstyrt med en sensor for lavt oljenivå. Denne sensoren vil enten tenne en varsellampe eller stanse motoren hvis oljenivået er lavt. Stans motoren og utfør følgende trinn før den startes igjen.

- Sjekk at motoren står vannrett.
- Sjekk oljenivået. Se avsnittet **Hvordan oljen sjekkes/påfylles**.
- Fyll på riktig mengde olje hvis nivået er lavt. Start motoren og sjekk at varsellampen (hvis montert) er slukket.
- Hvis oljenivået ikke er lavt må du **ikke starte** motoren. Ta kontakt med en autorisert Briggs & Stratton forhandler for å få oljeproblemet reparert.

### Anbefalt drivstoff

Bensinen må oppfylle disse kravene:

- Ren, ny, blyfri bensin.
- Minst 87 oktan/87 AKI (91 RON). Se under for bruk i store høyder.
- Bensin med opp til 10 % etanol (gasohol) er akseptabelt.

**FORSIKTIG:** Ikke godkjente bensintyper, slik som f.eks. E15 eller E85, må ikke brukes. Ikke bland olje i bensinen eller modifier motoren til å gå på alternative drivstoff. Bruk av ikke godkjente drivstofftyper vil skade komponenter i motoren og **ugyldiggjøre garantien på motoren**.

Drivstoffsystemet beskyttes mot gummibelegg ved å blande en drivstoffstabilisator i drivstoffet. Se **Lagring**. Det finnes forskjellige typer drivstoff. Hvis det oppstår problemer med start, bytt drivstoffleverandør eller forsøk et annet merke. Disse motorene er sertifiserte for bruk av bensin. Avgasskontrollsystemet på denne motoren er EM (Engine Modifications - Motormodifikasjoner).

### Store høyder over havet

I høyder over 1524 meter, kan 85 oktan/85 AKI (89 RON) bensin brukes. Justering til bruk i store høyder anbefales for å opprettholde riktig avgassnivå. Drift uten denne justeringen vil føre til redusert effekt, økt drivstofforbruk og økte utslipp. Ta kontakt med et autorisert Briggs & Stratton forhandlerverksted for å få mer informasjon om justering til store høyder.

Bruk av motoren i høyder under 762 meter når den er justert for bruk i store høyder anbefales ikke.

### Slik fyller du på drivstoff - Figur 3



#### ADVARSEL



Drivstoff og drivstoffgass er meget brannfarlig og eksplosiv. En brann eller eksplosjon kan føre til alvorlige brannskader eller dødsfall.

#### Påfylling av bensin

- Slå av motoren og la den avkjøle seg i minst 2 minutter før tanklokket tas av.
- Fyll drivstofftanken utendørs eller på et sted med god ventilasjon.
- Ikke overfyll drivstofftanken. Drivstoffet må ha tilstrekkelig med plass til å utvide seg, og må derfor kun fylles opp til bunnen av drivstofftankens påfyllingshals.
- Alt drivstoff må holdes unna gnister, åpen ild, sparebluss, varme og andre antennelseskilder.
- Sjekk drivstoffslanger, tank, lokk, og fester ofte for å se om de har sprekker eller lekkasjer. Skift ut der det er nødvendig.
- Hvis det er blitt sølt bensin må du vente til den har fordampet før motoren startes.

1. Rengjør området rundt tanklokket. Ta av lokket (A, Figur 3).
2. Fyll drivstoff på tanken (B). Drivstoffet må ha tilstrekkelig med plass til å utvide seg, og må derfor kun fylles opp til bunnen av drivstofftankens påfyllingshals (C).
3. Sett lokket på drivstofftanken.

### Slik starter du motoren - Figur 4



#### ADVARSEL



Drivstoff og drivstoffgass er meget brannfarlig og eksplosiv. En brann eller eksplosjon kan føre til alvorlige brannskader eller dødsfall.

#### Start av motoren

- Pass på at tennpluggen, eksosporten, bensinlokket og luftfilteret (hvis montert) sitter på plass og er godt festet.
- Motoren må ikke dreies rundt når tennpluggen er tatt ut.
- Hvis drivstoffet har rent over, settes choken (hvis montert) i stillingen OPEN/RUN (åpen/kjør), gassen (hvis montert) på FAST (hurtig) og motoren dreies rundt til den starter.



## ADVARSEL






**FARE FOR GIFTIG GASS. Eksosutslipp fra motoren inneholder karbonmonoksid, en giftig gass som kan drepe deg i løpet av noen få minutter. Du KAN IKKE se den, lukte den eller smake den. Selv om du ikke kan lukte eksosgass, kan du likevel være utsatt for karbonmonoksidgass. Hvis du kjenner at du begynner å bli kvalm, svimmel eller svak mens du bruker dette produktet, stans motoren og gå ut i frisk luft ØYEBLIKKEG. Kontakt en lege. Du kan ha fått karbonmonoksidforgiftning.**


- Dette produktet må KUN brukes utendørs, og langt unna vinduer, dører og ventiler for å redusere risikoen for at karbonmonoksidgass kan samle seg opp og muligens trenge inn i bebodde arealer.
- Batteridrevne karbonmonoksidvarslere eller innpluggbare karbonmonoksidvarslere med reservebatteri monteres i henhold til produsentens anvisninger. Røykvarslere vil ikke aktiveres av karbonmonoksid
- Dette produktet må IKKE brukes inne i hus, garasjer, kjellere, boder, skjul eller i andre delvis tette rom, selv om det brukes vifter eller dører og vinduer åpnes for å lufte ut. Karbonmonoksid kan raskt samle seg opp i slike områder og kan henge igjen i mange timer, selv etter at dette produktet har stanset.
- Dette produktet må ALLTID plasseres i medvind og med eksosutslippet vendt bort fra bebodde arealer.

**OBS:** Denne motoren ble sendt fra Briggs & Stratton uten olje. Før du starter motoren, må du sørge for å fylle olje på den slik som beskrevet i denne håndboken. Hvis motoren startes uten olje, vil den bli fullstendig ødelagt og garantien vil ikke være gyldig

**Obs:** Noen motorer og redskaper har fjernkontroller. Plassering og bruk av disse kontrollene står beskrevet i håndboken som tilhører redskaperen.


1. Sjekk oljenivået Se under **Hvordan oljen sjekkes/fylles**.
2. Sjekk at drivkontrollene på utstyret (hvis montert) er slått av.
3. Drei drivstoffkranen (A), hvis montert, i stillingen "on" (på) (Figur 4).
4. Sett gasskontrollen (B) på "fast" (hurtig) . Motoren kjøres med gassen i denne stillingen .
5. Trekk ut choken (C), hvis montert, til stillingen "choke".

**Obs:** For å starte motoren når drivstoffsystemet er tørt (førstegangs start eller etter at motoren er gått tom for drivstoff), vil det være nødvendig med ekstra omdreiningsstid i chokestilling . Dette vil gi drivstoffpumpen tid til å fylle opp drivstoffsystemet.

6. Press stoppbryteren (D), hvis montert, i stillingen "on" (på).
7. Drei den elektriske startbryteren (E) i stillingen on/start (på/start) (Figur 4).
8. Hvis motoren starter uten at den fortsetter å gå, settes choken (C) i stillingen run  (kjør) for å starte den.

**OBS:** Bruk korte startsykluser (maks. fem sekunder) for å forlenge starterens levetid. Vent ett minutt mellom hver startsyklus.

**Obs:** Hvis ikke motoren starter etter gjentatte forsøk, gå inn på [VanguardEngines.com](http://VanguardEngines.com) eller ring 1-800-999-9333 (i USA).

9. Flytt choken (C) i stillingen "run" (kjør)  når motoren varmes opp.

## Slik stopper du motoren - Figur 4



## ADVARSEL



**Drivstoff og drivstoffgass er meget brannfarlig og eksplosiv. En brann eller eksplosjon kan føre til alvorlige brannskader eller dødsfall.**

- Motoren må ikke stoppes ved å kvele forgasseren.

1. Flytt gasskontrollen til "slow" (sakte) og vri nøkkelbryteren (C) i stillingen "off" (av) (Figur 4). Ta ut nøkkelen og legg den på et sted der den ikke er tilgjengelig for barn.
2. Flytt stoppbryteren (D), hvis montert, i stillingen "off" (av).
3. Når motoren har stanset, stenges drivstoffkranen (A), hvis montert.

## Vedlikehold

Vi anbefaler at du tar kontakt med et Briggs & Stratton autorisert forhandlerverksted for å få utført alt vedlikeholdsarbeid og service av motoren og de tilhørende delene.

**OBS:** Alle komponenter som er brukt i denne motoren må være montert for at den skal fungere riktig.



**ADVARSEL:** Når det er nødvendig å velte maskinen for å utføre vedlikehold, må drivstofftanken være tom, ellers kan drivstoff renne ut og forårsake brann eller eksplosjon.

## Avgasskontroll

**Vedlikehold, utskifting eller reparasjon av avgasskontroll anordninger kan utføres av alle verksteder eller individer som reparerer små off-road motorer.** For å få "kostnadsfri" service av avgasskontroller må imidlertid arbeidet utføres hos en forhandler med autorisasjon fra fabrikk. Se avgass garantien.



## ADVARSEL

**En tilfeldig gnist kan forårsake brann eller elektrisk støt. Tilfeldig start kan resultere i at du blir sittende fast i maskineriet, traumatisk amputasjon av lemsedeler eller sårskader. Brannfare**

### Før justering eller reparasjoner utføres:

- Koble fra tennpluggkabelen og hold den unna tennpluggen.
- Koble fra den negative batteripolen (gjelder kun motorer med elektrisk start).
- Bruk kun korrekt verktøy.
- Ikke kluss med regulatorfjærene, forbindelsesleddene eller andre deler for å øke motorturtallet.
- Reservedeler må ha samme design og monteres i samme stilling som de originale delene. Andre typer deler kan fungere dårligere, skade maskinen og resultere i at noen skades.
- Det må aldri brukes en hammer eller annen hard gjenstand fordi svinghullet kan sprekkes senere under drift.

### Testing av gnist:

- Bruk en godkjent gnisttester.
- Du må ikke undersøke om det er gnist mens tennpluggen er tatt ut.

## Vedlikeholdsskjema

### De første 5 timene

- Skift olje

### Etter 8 timer eller daglig

- Sjekk oljenivået i motoren
- Rengjør området rundt eksospotten og kontrollene

### Etter 100 timer eller en gang i året

- Rengjør eller bytt luftfilteret \* ▲
- Skift motorolje og filter
- Rengjør forfilteret (hvis montert) \*
- Skift ut tennpluggen
- Sjekk eksospotten og gnistfangeren

### Etter 250 timer eller en gang i året

- Sjekk ventilklaringen. Justeres etter behov.

### Etter 400 timer eller en gang i året

- Bytt luftfilter ▲
- Bytt drivstoffilter
- Rengjør luftkjølingsanlegget \*
- Rengjør oljekjølerribbene \*

### Etter 600 timer eller en gang i året

- Bytt sikkerhetsfilter (hvis montert)

\* Rengjør oftere hvis arbeidsforholdene er veldig støvete eller hvis mye rusk virvles opp i luften.

▲ Det innvendige sikkerhetsfilteret (hvis montert) skal skiftes ut hver tredje gang luftfilteret byttes.

## Justering av forgasser og motorturtall

Forgasseren eller motorturtallet må aldri justeres. Forgasseren ble justert på fabrikk slik at den kan fungere effektivt under de fleste forhold. Regulatorfjæren, forbindelsesleddene eller andre deler må ikke justeres for å endre motorturtallet. Hvis det er nødvendig med justeringer, ta kontakt med et autorisert Briggs & Stratton forhandlerverksted for å få arbeidet utført.

**MERKNAD:** Maskinprodusenten har angitt motorens maksimale turtall når den er montert i maskinen. **Dette turtallet må ikke overskrides.** Hvis du er usikker på hva maskinens maksimale turtall er, eller hvilket motorturtall som ble innstilt på fabrikk, ta kontakt med et autorisert Briggs & Stratton forhandlerverksted for å få hjelp. Motorturtallet skal kun justeres av en kvalifisert mekaniker for å sikre at maskinen fungerer på en sikker og effektiv måte.

## Slik bytter du tennpluggen - Figur 5

Sjekk elektrodeavstanden (A, Figur 5) med en følelære (B). Juster avstanden om nødvendig. Sett inn tennpluggen og trekk den til med anbefalt moment. Elektrodeavstand og moment står under **Spesifikasjoner**.

**Obs:** På enkelte steder må man i henhold til lokale forskrifter bruke en tennplugg av resistortypen for radiodemping. Hvis denne motoren opprinnelig hadde en resistortennplugg, må man benytte samme type ved utskifting.

## Sjekk lydporten og gnistfangeren - Figur 6



### ADVARSEL



**Motorer som er i gang produserer varme. Motordeler, spesielt eksospotten, blir meget varm.**



**Berøring av slike deler kan forårsake alvorlige brannskader.**



**Brennbart materiale, slik som løv, gress, småkratt etc., kan antennes.**

- Vent til eksospotten, motorsylinderen og ribbene blir kalde før du tar på dem.
- Fjern brennbart materiale som har samlet seg i området rundt eksospotten og sylinderen.
- Det er forbudt ifølge regelverket i California (California Public Resource Code, Section 4442), å bruke motoren på skogsbunnen eller der bakken er dekket av kratt eller gress hvis ikke eksosanlegget er utstyrt med en gnistfanger slik som beskrevet i dette regelverket (Section 4442). Gnistfangeren skal holdes i god stand. Andre stater eller land kan ha tilsvarende lover. Ta kontakt med maskinprodusenten, importøren eller forhandleren for å få en gnistfanger som passer til eksosanlegget på denne motoren.

Fjern rusk som har satt seg rundt eksospotten. Undersøk eksospotten (A, Figur 6) for å se om den har sprekker, korrosjon eller andre skader. Ta av gnistfangeren (B), hvis montert, og undersøk om den har skader eller er tettet til med sot. Hvis skader oppdages, må det monteres reservedeler før maskinen tas i bruk.



**ADVARSEL:** Reservedeler må ha samme design og monteres i samme stilling som de originale delene. Andre typer deler kan fungere dårligere, skade maskinen og resultere i at noen skades.

## Slik skifter du olje - Figur 7

Brukt olje er et farlig avfallsprodukt som må kasseres i henhold til forskriftene. Den må ikke kasseres sammen med husholdningsavfall. Snakk med lokale myndigheter, serviceverkstedet eller forhandleren for å finne ut hvor oljen trygt kan kasseres/resirkuleres.

### Tømming av olje

1. Slå av motoren og ta av tennpluggkabelen (A) mens motoren fremdeles er varm. Pass på at kabelen ikke kommer i kontakt med tennpluggen (Figur 7).
2. Ta ut oljetømmingspluggen (B). Tøm oljen i en godkjent beholder.
3. Sett inn oljetømmingspluggen igjen og trekk den godt til etter at oljen er tømt ut.

### Bytt oljefilter

Alle modellene er utstyrt med et oljefilter. Intervallene for bytte av filter står i **Vedlikeholdstabellen**.

1. Tøm oljen ut av motoren. Se **Tømming av olje**.
2. Fjern oljefilteret (C, Figur 7) og kast det i henhold til forskriftene.
3. Før det nye oljefilteret monteres skal pakningen på filteret smøres med litt ren, ny olje.
4. Skru inn filteret for hånd helt til pakningen kommer i kontakt med oljefilteradapteren. Deretter strammes oljefilteret 1/2 til 3/4 omdreining.
5. Fyll på olje. Se **Påfylling av olje**.
6. Start motoren og la den gå. Se etter oljelekkasjer mens motoren varmes opp.

7. Stopp motoren og sjekk oljenivået. Det skal nå opp til toppen av full-indikatoren (F) på peilestaven.

## Påfylling av olje

- Sett motoren vannrett.
  - Rengjør området rundt oljepåfyllingen.
  - Se under **Spesifikasjoner** for oljekapasiteten.
1. Ta ut peilestaven (D, Figur 7) og tørk av den med en ren fille.
  2. Hell oljen sakte i oljepåfyllingshullet (E). **Det må ikke være for fullt** Når oljen er fylt på, må du vente i ett minutt og deretter sjekke oljenivået på nytt.
  3. Sett inn peilestaven og skru den fast.
  4. Ta ut peilestaven og sjekk oljenivået. Det skal nå opp til toppen av full-indikatoren (F) på peilestaven.
  5. Sett inn peilestaven og skru den fast.

## Slik utfører du service på luftfilteret - Figur 8 9



### ADVARSEL



**Drivstoff og drivstoffgass er meget brannfarlig og eksplosiv. En brann eller eksplosjon kan føre til alvorlige brannskader eller dødsfall.**



- Motoren må aldri startes eller kjøres uten at luftfilterenheten (hvis montert) eller luftfilteret (hvis montert) sitter på plass.

**OBS:** Bruk aldri trykkluft eller løsemidler til å rengjøre filteret. Trykkluft kan skade filteret, og løsemidler vil oppløse det.

Luftfiltersystemet har enten et syklonisk luftfilter eller et lav-profil luftfilter. Se **Vedlikeholdstabellen** for krav til service.

### Syklonisk luftfiltersystem

1. Åpne låsene (A) og ta av dekslet (B). Se Figur 8.
2. Fjern luftfilteret (C).
3. Bank luftfilteret lett mot en hard flate for å løse rusk etc. His luftfilteret er veldig skittent, må det skiftes ut.
4. Det sykloniske luftfiltersystemet har også et sikkerhetsfilter (D) (hvis montert). Se **Vedlikeholdstabellen** for krav til service. Fjern sikkerhetsfilteret ved å trekke det forsiktig bort fra luftfilterhuset (E) og kast det. Pass på at det ikke kommer rusk i motoren.
5. Monter det nye sikkerhetsfilteret i luftfilterhuset.
6. Sett luftfilteret over sikkerhetsfilteret.
7. Sett på dekslet og steng låsene.

### Lav-profil luftfiltersystem

1. Fjern knotten (F) og dekslet (G). Se Figur 9.
2. Fjern mutteren (H) og holderen (J).
3. Fjern luftfilteret (K).
4. Hvis det er montert et forfilter (L), ta det av luftfilteret.
5. Bank luftfilteret lett mot en hard flate for å løse rusk etc. His luftfilteret er veldig skittent, må det skiftes ut.
6. Vask forfilteret i et flytende vaskemiddel og vann. La det lufttørke til det er helt tørt. Forfilteret skal **ikke** oljes.
7. Sett det tørre forfilteret på luftfilteret
8. Monter luftfilteret og fest det med holderen og mutteren.
9. Sett på dekslet og fest det med knotten.

## Slik rengjør du luftkjølingsanlegget - Figur 11 12



### ADVARSEL



**Motorer som er i gang produserer varme. Motordeler, spesielt eksospotten, blir meget varm.**



**Berøring av slike deler kan forårsake alvorlige brannskader.**

**Brennbart materiale, slik som løv, gress, småkratt etc., kan antennes.**

- Vent til eksospotten, motorsylinderen og ribbene blir kalde før du tar på dem.
- Fjern brennbart materiale som har samlet seg i området rundt eksospotten og sylinderen.

**OBS:** Motoren må aldri rengjøres med vann. Vann kan forurense drivstoffsystemet. Bruk en børste eller en tørr klut til å rengjøre motoren.

Dette er en luftkjølt motor. Skitt eller rusk kan blokkere luftstrømmen slik at motoren overopphetes. Dette fører til dårlig ytelse og unødvendig slitasje på motoren.

Bruk en børste eller en tørr klut til å fjerne partikler fra fingerskyddet (A, Figur 11). Forbindelsesledd, fjærer og kontrollere (B) må holdes rene. Sørg for at det ikke er brennbart materiale i området rundt og bak eksospotten (C). Sjekk at det ikke har satt seg rusk og skitt på oljekjølerribbene (D).

Rengjør området under panelet (E, Figur 12). Løsne de to skruene (F) slik at du hører et klikk. Ta av panelet og fjern rusk og skitt som har satt seg i området. Sørg for at undersiden av panelet også er rent. Monter panelet igjen og trekk til skruene helt til du hører et klikk.

## Slik skiftes drivstoffilteret - Figur 10



### ADVARSEL

Drivstoff og drivstoffgass er meget brannfarlig og eksplosiv. En brann eller eksplosjon kan føre til alvorlige brannskader eller dødsfall.

- Alt drivstoff må holdes unna gnister, åpen ild, sparebluss, varme og andre antennelseskilder.
- Sjekk drivstoffslanger, tank, lokk, og fester ofte for å se om de har sprekker eller lekkasjer. Skift ut der det er nødvendig.
- Tøm drivstofftanken eller steng drivstoffkranen før du renser eller bytter drivstofffilteret.
- Reservedelene må være av samme type og installeres i samme posisjon som originaldelene.
- Hvis det er blitt sølt bensin må du vente til den har fordampet før motoren startes.

1. Før du skifter drivstoffilter (A, Figur 10), hvis montert, må drivstofftanken tømmes eller drivstoffkranen stenges. Hvis ikke dette gjøres, kan drivstoff renne ut og forårsake brann eller eksplosjon.
2. Bruk en tang til å klemme sammen tappene (B) på klemmene (C), og skyv deretter klemmene bort fra drivstoffilteret. Vri og trekk drivstoffslangene (D) av drivstoffilteret.
3. Sjekk om det er sprekker eller lekkasjer i drivstoffslangene. Skift dem ut hvis det er nødvendig.
4. Drivstoffilteret må skiftes ut med en original reservedel.
5. Fest drivstoffslangene med klemmene slik som vist.

## Lagring



### ADVARSEL

Drivstoff og drivstoffgass er meget brannfarlig og eksplosiv. En brann eller eksplosjon kan føre til alvorlige brannskader eller dødsfall.

#### Lagring av drivstoff eller maskiner med drivstoff på tanken.

- Må ikke lagres/oppbevares i nærheten av fyringsanlegg, ovner, varmtvannsberedere eller annet utstyr med sparebluss eller lignende varmekilder, fordi de kan antenne drivstoffdamp.

### Drivstoffsystemet

Drivstoff kan bli harskt hvis det lagres i mer enn 30 dager. Harskt drivstoff forårsaker at det dannes syre- og gummibelegg i drivstoffsystemet eller på viktige forgasserdelene. Drivstoffet holdes ferskt ved å bruke **Briggs & Stratton Advanced Formula Fuel Treatment & Stabilizer**, (drivstoffstabilisator) som føres av alle forhandlere som selger originale Briggs & Stratton reservedeler.

For motorer med FRESH START® tanklokk, brukes **Briggs & Stratton FRESH START®** som er tilgjengelig i en patron med drypptilførsel av konsentrat.

Det er ikke nødvendig å tømme motoren for bensin hvis det brukes en drivstoffstabilisator i henhold til bruksanvisningen. La motoren gå i 2 minutter for å sirkulere stabilisatoren i drivstoffsystemet før lagring.

Hvis bensinen i motoren ikke er behandlet med en drivstoffstabilisator, må den tømmes over på en godkjent kanne. Kjør motoren til den går tom for bensin. Bruk av en drivstoffstabilisator i bensinkannen anbefales for å holde bensinen fersk.

### Motorolje

Skift olje mens motoren ennå er varm.

### Feilsøking

Trenger du hjelp? Gå til [VanguardEngines.com](http://VanguardEngines.com) eller ring **1-800-999-9333** (i USA).

## Spesifikasjoner

Motorspesifikasjoner	
Modell	540000
Sylindervolum	54,68 ci (896 ccm)
Sylinderboring	3,366 in (85,5 mm)
Slaglengde	3,071 in (78,0 mm)
Oljekapasitet	78 - 80 oz (2,3 - 2,4 l)

Motorspesifikasjoner	
Modell	610000
Sylindervolum	60,60 ci (993 ccm)
Sylinderboring	3,366 in (85,5 mm)
Slaglengde	3,406 in (86,5 mm)
Oljekapasitet	78 - 80 oz (2,3 - 2,4 l)

Spesifikasjoner for vedlikehold *	
Modell	540000
Tennpluggens elektrodeavstand	0,030 in (0,76 mm)
Tiltrekningsmoment for tennplugg	180 lb-in (20 Nm)
Tennspolens luftspalte	0,005 - 0,008 in (0,13 - 0,20 mm)
Inntaksventil klaring	0,004 - 0,006 in (0,10 - 0,15 mm)
Eksosventil klaring	0,004 - 0,006 in (0,10 - 0,15 mm)

Spesifikasjoner for vedlikehold *	
Modell	610000
Tennpluggens elektrodeavstand	0,030 in (0,76 mm)
Tiltrekningsmoment for tennplugg	180 lb-in (20 Nm)
Tennspolens luftspalte	0,005 - 0,008 in (0,13 - 0,20 mm)
Inntaksventil klaring	0,004 - 0,006 in (0,10 - 0,15 mm)
Eksosventil klaring	0,004 - 0,006 in (0,10 - 0,15 mm)

\* Motorytelsen vil reduseres med 3,5% for hver 300 meter over havet, og med 1% for hver 10° F (5,6° C) over 77° F (25° C). Motoren vil fungere tilfredsstillende med en vinkel opp til 15°. Se maskinens bruksanvisning for tillatt trygg arbeidsvinkel i bakker.

### Vanlige reservedeler ✓

Reservedel	Del nummer
Luftfilter, sykklonisk	841497
Sikkerhetsfilter, sykklonisk	821136
Luftfilter, lav-profil	692519
Forfilter, lav-profil	692520
Olje - SAE 30	100028
Oljefilter	842921

Reservedel	Del nummer
Drivstoffilter	691035
Drivstofftilsetningsmiddel	5041, 5058
Resistortennplugg	491055
Long Life Platina Tennplugg	5066
Tennpluggnøkkel	19374
Gnisttester	19368

✓ Vi anbefaler at du tar kontakt med et autorisert Briggs & Stratton forhandlerverksted for å få utført alt vedlikeholdsarbeid og service av motoren og de tilhørende delene.

## BEGRENSET GARANTI

Briggs & Stratton garanterer at de vil reparere eller erstatte gratis alle del(er) som er funnet defekt i materiale eller utførelse eller begge deler i garantiperioden som er angitt nedenfor. Alle transportkostnader for et produkt som skal skiftes ut eller repareres under denne garantien må dekkes av kjøperen. Denne garantien er kun gyldig i den tidsperioden og med de vilkårene som er gitt nedenfor. For å hevde garantien, ta kontakt med nærmeste autoriserte forhandlerverksted som finnes i oversikten over våre forhandlere på BRIGGSandSTRATTON.COM. Kjøperen må selv kontakte det autoriserte forhandlerverkstedet, og deretter sørge for at motoren gjøres tilgjengelig for verkstedet slik at de kan undersøke og teste den.

**Det gis ingen annen eksplisitt garanti. Implisitte garantier, inklusive kjøpegarantier og at utstyr skal passe til et bestemt formål, er begrenset til ett år fra salgsdato eller så lenge som påbudt av gjeldende norske lover. Dette opphever alle andre garantier. Alle krav om erstatning for følgeskader eller avsavv er ugyldige såfremt de ikke er påbudt ved lov.** Noen land tillater ikke at det settes tidsbegrensning på en implisitt garanti, og i enkelte land er det heller ikke lov å utelukke eller begrense ansvaret for følgeskader. Det kan derfor være mulig at reglene som er gitt ovenfor ikke gjelder der du bor. Denne garantien gir deg spesielle rettigheter, og du kan også ha andre rettigheter som vil variere fra land til land i tillegg \*\*.

## VILKÅR FOR STANDARD GARANTI \* ▲

Merke/Produkt type	Privat bruk	Profesjonell bruk
Vanguard™ ■	3 år	3 år
Commercial Turf Series™	2 år	2 år
Extended Life Series™; I/C®; Intek™ I/C®; Intek™ Pro;™ Professional Series™ med Dura-Bore™ støpejernsforing; 850 Series™ med Dura-Bore™ støpejernsforing; Snow Series MAX™ med Dura-Bore™ støpejernsforing Alle andre Briggs & Stratton motorer med Dura-Bore™ støpejernsforing	2 år	1 år
Alle andre Briggs & Stratton motorer	2 år	90 dager

\* Dette er våre vilkår for standardgarantien, men det kan av og til komme noe i tillegg som også dekkes av garantien, men som ikke var avgjort før publikasjonen. For å se en oversikt over garantivilkårene som gjelder for din motor, gå til BRIGGSandSTRATTON.COM eller ta kontakt med ditt autoriserte Briggs & Stratton forhandlerverksted.

\*\* I Australia – Våre produkter har garantier som ikke kan utelukkes av den australske forbrukerloven. Du har rett på å få et nytt produkt eller pengene refundert ved alvorlige feil, og på kompensasjon for andre rimelig forutsigbare tap eller skader. Du har i tillegg rett på å få produktet reparert eller erstattet hvis produktet ikke er av en akseptabel kvalitet og feilen ikke er av den mest alvorlige typen. For å hevde garantien, ta kontakt med nærmeste autoriserte forhandlerverksted for Briggs & Stratton, som finnes på oversikten over forhandlere på BRIGGSandSTRATTON.COM, eller ved å ringe 1300 274447 eller sende en e-post til salesenquiries@briggsandstratton.com.au, Briggs & Stratton Australia Pty Ltd, 1 Moorebank Avenue, Moorebank, NSW, Australia, 2170.

▲ Motorer på reservegeneratorer til hjemmebruk: kun 2 år for privat bruk. Ingen garanti for profesjonell bruk. Denne garantien gjelder ikke for motorer på utstyr som brukes som strømforsyning på et produksjonssted. **Motorer som er brukt til konkurransekjøring eller på kommersielle baner eller utleiebaner dekkes ikke av garantien.**

■ Vanguard montert på reservegeneratorer: 2 år for privat bruk, ingen garanti for profesjonell bruk. Vanguard montert på SUV kjøretøy: 2 år for privat bruk, 2 år for profesjonell bruk. Vanguard væskekjølte 3-sylindere: se Briggs & Stratton garantivilkår for 3/LC motorer.

Garantiperioden gjelder fra datoen produktet blir solgt for første gang, enten til privat bruk eller til profesjonelt bruk, og ut perioden som er gitt i tabellen ovenfor. "Privat bruk" betyr bruk i private husholdninger. "Profesjonelt bruk" betyr all annen bruk, inklusive kommersiell bruk, bruk for inntektservervelse og utleie. Så snart en motor er blitt anvendt til profesjonelt bruk, vil den deretter bli betraktet som en kommersiell motor med hensyn til denne garantien.

**Det er ikke nødvendig å vise et garantiregistreringskort for å hevde garantien på Briggs & Stratton produkter. Ta vare på kvitteringen du fikk da du kjøpte motoren. Hvis du ikke kan fremlegge bevis på første salgsdato når du krever garantien, vil produktets produksjonsdato bli brukt til å avgjøre garantiperioden.**

## Om garantien

Briggs & Stratton tar med glede i mot garantireparasjoner og beklager at du fikk bryderiet med dette. Alle autoriserte forhandlerverksteder kan utføre garantireparasjoner. De fleste garantireparasjonene utføres rutinemessig, men noen ganger kan det hende at et garantikrav ikke er berettiget. For å unngå misforståelser mellom kunden og forhandlerverkstedet, gjør vi oppmerksom på at årsakene til motorhvari som er gitt nedenfor, ikke dekkes av garantien.

**Normal slitasje:** Motorer, som alle andre mekaniske innretninger, trenger regelmessig service og skifte av deler for at de skal fungere optimalt. Garantien dekker ikke reparasjoner der en del eller en motor er blitt utslitt som resultat av normalt bruk. Garantien gjelder ikke hvis motoren ble skadet som resultat av feil bruk, dårlig vedlikehold, transport, håndtering, oppbevaring eller feil montering. Garantien gjelder heller ikke hvis motorens serienummer er blitt fjernet eller hvis motoren på noen måte er blitt endret eller modifisert.

**Utilstrekkelig vedlikehold:** Levetiden til en motor avhenger av hvordan den brukes og hvordan den blir vedlikeholdt. Enkelte maskiner, som f.eks. jordfresere, pumper og rotasjonsplenklippere, benyttes ofte der det er mye støv og skitt. Dette kan forårsake hurtig slitasje. Slik slitasje, forårsaket av at skitt, støv, sot/støv fra rensing av tennplugger og andre slipende partikler er kommet inn i motoren p.g.a. utilstrekkelig vedlikehold, dekkes ikke av garantien.

**Denne garantien dekker kun defekter i materialer og/eller utførelse i forbindelse med motoren. Garantien gjelder ikke for erstatning av maskinen som motoren er montert i og gjelder heller ikke reparasjoner som følge av:**

- 1 Problemer som er forårsaket av deler som ikke er originale Briggs & Stratton deler.
- 2 Kontrollutstyr eller andre deler som hindrer start, forårsaker at motoren går dårlig eller forkorter motorens levetid. (Ta kontakt med maskinprodusenten.)
- 3 Lekkasje i forgassere, tette drivstoffslanger, ventiler som har skjært seg eller andre feil forårsaket av forurenset eller gammelt drivstoff.

- 4 Deler som har skjært seg eller er blitt ødelagt fordi motoren ble kjørt med for lite eller forurenset smøreolje, eller feil type smøreolje (Oljenivået må sjekkes og påfylles når det er nødvendig, og skiftes med anbefalte intervaller.) Det kan hende at OIL GARD ikke stanser motoren. Motoren kan få skader hvis ikke oljen holdes på riktig nivå.
- 5 Reparasjon eller justering av tilhørende deler eller enheter som f.eks. clutcher, transmisjoner, fjernstyring etc. som ikke er produsert av Briggs & Stratton.
- 6 Skade eller slitasje på deler som er forårsaket av at det har kommet skitt inn i motoren p.g.a. for dårlig vedlikehold av luftfilteret eller at det er feil satt sammen eller at det er brukt feil type luftfilter eller kassett. Rengjør og/eller bytt filteret ved anbefalte intervaller som angitt i brukerhåndboken.
- 7 Deler som er skadet som resultat av for høyt turtall, eller overoppheting som skyldes at skitt, gress eller rusk tetter igjen kjøleribbene eller svinghjulet, eller skader forårsaket av at motoren er blitt brukt på steder uten tilstrekkelig ventilasjon. Fjern gressrester og rusk fra motoren med anbefalte intervaller slik som beskrevet i instruksjonsboken.
- 8 Deler på maskinen eller motoren som er brukt p.g.a. sterk vibrasjon forårsaket av at motoren sitter løst, løstsittende kniver, ubalanserte kniver eller løse eller ubalanserte viftehjul, utstyr som er feil montert på motorakslingen, for høyt turtall eller annen uforsiktig bruk.
- 9 En bøyde eller brukket veivaksel forårsaket av at kniven på en roterende gressklipper har slått mot en hard gjenstand, eller av at v-reimen er for stram.
- 10 Rutinemessig trimming eller justering av motoren.
- 11 Svikt av motor eller motordeler, dvs. forbrenningskammer, ventiler, ventilseter, ventilforere, eller brente startermotorviklinger forårsaket av at det er blitt brukt alternativt drivstoff slik som flytende petroleum, naturgass, bensin formulert med etanol større enn 10%.

**Service under garantien er kun tilgjengelig hos autoriserte Briggs & Stratton forhandlerverksteder. Finn ditt nærmeste autoriserte forhandlerverksted i oversikten over våre forhandlere på BRIGGSandSTRATTON.COM eller ved å ringe 1-800-233-3723 (i USA).**

## Informações gerais

Este manual contém informações de segurança para que você fique ciente dos perigos e riscos relacionados a motores, e como evitá-los. Também contém instruções para o uso e cuidados adequados do motor. A Briggs & Stratton Corporation não sabe necessariamente em qual equipamento este motor será utilizado. Por essa razão, é importante que você leia e compreenda essas instruções e também as do equipamento. **Guarde estas instruções originais para consulta futura.**

Para solicitar peças de reposição ou assistência técnica, registre abaixo o modelo do motor, o tipo e os números de código, juntamente com a data de compra. Estes números localizam-se em seu motor (consulte a página **Recursos e controles**).

**Data de compra:** \_\_\_\_\_  
DD/MM/AAAA

**Modelo do motor:** \_\_\_\_\_  
Modelo: Tipo: Código:

**Classificações de potência:** A classificação de potência bruta para os modelos de motor a gasolina individuais está de acordo com o código SAE (Society of Automotive Engineers - Sociedade de engenheiros automotivos) J1940 Small Engine Power & Torque Rating Procedure - Procedimento de classificação de potência e torque para pequenos motores e com o SAE J1995. Os valores de torque são calculados a 2600 RPM para os motores com a exigência "rpm" na etiqueta e 3060 RPM para todos os outros; os valores de cavalo-vapor são calculados a 3600 RPM. As curvas de potência bruta podem ser visualizadas em [www.BRIGGSandSTRATTON.COM](http://www.BRIGGSandSTRATTON.COM). Os valores de potência líquida são obtidos com o exaustor e o purificador de ar instalados. Apesar dos valores de potência bruta serem coletados sem esses implementos. A potência bruta real do motor será superior a potência líquida e é afetada por condições ambientais de operação e varia de motor para motor, entre outros fatores. Devido a grande diversidade de produtos nos quais os motores são instalados, o motor a gasolina pode não desenvolver a potência nominal bruta quando usado em um determinado equipamento de potência. Essa diferença ocorre por vários fatores, inclusive, mas não somente, a variedade de componentes do motor (purificador de ar, exaustor, carregamento, resfriamento, carburador, bomba de combustível, etc.), limitações de aplicação, condições ambientais de operação (temperatura, umidade, altitude) e variabilidade de motor para motor. Devido a limitações de fabricação e capacidade, a Briggs & Stratton poderá substituir este motor por um motor de potência nominal superior.

## Segurança do operador

### SÍMBOLOS DE SEGURANÇA E CONTROLE



O símbolo de aviso de segurança é usado para identificar informações de segurança relativas a perigos que poderão resultar em ferimentos pessoais. É utilizada uma palavra (PERIGO, ADVERTÊNCIA ou CUIDADO) com o símbolo de aviso para indicar a probabilidade e a potencial gravidade do ferimento. Além disso, poderá ser utilizado um símbolo para assinalar o tipo de perigo.

**PERIGO** indica um perigo que, se não for evitado, **resultará em morte ou ferimentos graves.**

**ADVERTÊNCIA** indica um perigo que, se não for evitado, **poderá resultar em morte ou ferimentos graves.**

**CUIDADO** indica um perigo que, se não for evitado, **poderá resultar em ferimentos graves ou leves.**

**AVISO** indica uma situação que **poderá resultar em danos ao produto.**

### ADVERTÊNCIA

Alguns componentes neste produto e em seus acessórios contêm produtos químicos conhecidos, no estado da Califórnia, como causadores de câncer, defeitos congênitos ou outros problemas ao aparelho reprodutor. Lave as mãos após manuseá-los.

### ADVERTÊNCIA

A exaustão do motor deste produto contêm produtos químicos conhecidos no Estado da Califórnia como causadores de câncer, defeitos congênitos ou outros problemas associados à reprodução humana.

### ADVERTÊNCIA

Os motores Briggs & Stratton não devem ser usados ou foram projetados para alimentar: karts para recreação, veículos terrestres (ATV) de recreação infantil, mobiletes, hovercraft, produtos ou veículos aéreos para uso em competições não autorizadas pela Briggs & Stratton. Para obter informações sobre produtos para competições, consulte o site [www.briggsracing.com](http://www.briggsracing.com). Para o uso com veículos terrestres utilitários e compostos, entre em contato com a Central de aplicação de motores em 1-866-927-3349. A aplicação indevida do motor pode causar ferimentos graves ou levar à morte.

**AVISO:** Este motor foi enviado pela Briggs & Stratton sem óleo. Antes de dar partida no motor, lembre-se de adicionar óleo de acordo com as instruções neste manual. Se o motor for acionado sem óleo, ele será danificado sem possibilidade de reparo e não estará coberto pela garantia.



## ADVERTÊNCIA



O combustível e seus vapores são extremamente inflamáveis e explosivos.



O fogo ou uma explosão poderá provocar queimaduras graves ou morte.

### Quando acrescentar combustível

- Desligue o motor (off) e deixe-o esfriar pelo menos 2 minutos antes de retirar o tampão do tanque de combustível.
- Abasteça o tanque em área aberta ou bem ventilada.
- Não encha demais o tanque de combustível. A fim de permitir a expansão do combustível, não encha acima do fundo do bocal do tanque de combustível.
- Mantenha o combustível afastado de faíscas, chamas desprotegidas, chamas-piloto, calor e outras fontes de ignição.
- Verifique freqüentemente as tubulações de combustível, o tanque, o tampão e as conexões quanto a rachaduras ou vazamentos. Substitua, se necessário
- Se derramar combustível, espere até que evapore antes de acionar o motor.

### Quando der partida no motor

- Certifique-se de que a vela de ignição, o silencioso, o tampão de combustível e o filtro de ar (caso montado) estejam em seus lugares e seguros.
- Não acione o motor sem a vela de ignição.
- Se o motor afogar, ajuste o afogador (se houver) na posição OPEN/RUN (aberto/em funcionamento), coloque o acelerador (se houver) na posição FAST (rápido) e acione até o motor ligar.

### Quando operar o equipamento

- Não incline o motor ou o equipamento para um ângulo que poderá provocar o derramamento de combustível.
- Não afogue o carburador a fim de desligar o motor.
- Nunca dê partida ou movimento o motor o conjunto do purificador de ar (caso montado) ou o filtro de ar (caso montado) removido.

### Quando trocar o óleo

- Se você drenar o óleo a partir do tubo de enchimento de óleo superior, o tanque de combustível deverá ser esvaziado ou combustível poderá vazar resultando em incêndio ou explosão.

### Ao inclinar a unidade para manutenção

- Se for necessário inclinar a unidade para fazer a manutenção, o tanque de combustível deve estar vazio, caso contrário poderá haver vazamento, o que resultará em incêndio ou explosão.

### Quando transportar o equipamento

- Transporte com o tanque de combustível VAZIO ou com a válvula de fechamento de combustível desligada.

### Quando armazenar combustível ou equipamento com combustível no tanque

- Guarde o motor longe de fornalhas, fogões, aquecedores de água ou outros aparelhos com chama piloto ou fontes de ignição, uma vez que poderão inflamar os vapores de combustível.



## ADVERTÊNCIA



Acionar o motor produz faísca.



As faíscas poderão incendiar os gases inflamáveis que se encontram na área.



Poderão ocorrer explosão e incêndio.

- Se tiver conhecimento de algum vazamento de gás natural ou de petróleo liquefeito na área, não dê a partida do motor.
- Não utilize fluidos de acionamento pressurizados, porque os vapores são inflamáveis.



## ADVERTÊNCIA



O funcionamento dos motores produz calor. As peças do motor, especialmente o silencioso, ficam extremamente quentes.



Poderão ocorrer graves queimaduras térmicas com o contato.



Os resíduos combustíveis, tais como folhas, grama, galhos, etc. poderão incendiar-se.

- Deixe o silencioso, o cilindro do motor e as aletas esfriarem antes de tocar neles.
- Remova resíduos acumulados da área do silencioso e do cilindro.
- É uma violação da Seção 4442 do Código de Recursos da Califórnia, utilizar ou operar o motor em solo não-cultivado, coberto por mata a menos que o sistema de exaustão possua um retentor de faíscas, como definido na Seção 4442, mantido em perfeitas condições de utilização. Os outros estados ou jurisdições federais poderão ter leis similares. Entre em contato com o fabricante, varejista ou revendedor para obter um retentor de faíscas projetado para o sistema de exaustão instalado neste motor.



## ADVERTÊNCIA



**PERIGO DE GÁS TÓXICO.** O escapamento do motor contém monóxido de carbono, um gás tóxico que pode matar em minutos. Você NÃO consegue vê-lo, sentir seu cheiro nem seu gosto. Mesmo se você não sente o cheiro de gases de exaustão, pode, mesmo assim, estar exposto ao gás monóxido de carbono. Se você começar a se sentir mal, tonto ou fraco ao utilizar este produto, desligue-o e tome ar fresco **IMEDIATAMENTE.** Consulte um médico. Você pode ter sido intoxicado por monóxido de carbono.

- Opere este produto APENAS em área externa, longe de janelas, portas e aberturas, para reduzir o risco de acúmulo de monóxido de carbono e da potencial tomada de espaços ocupados.
- Instale alarmes de monóxido de carbono acionados por bateria ou ligados em tomada elétrica com bateria de reserva, de acordo com as instruções do fabricante. Alarmes de fumaça não podem detectar monóxido de carbono.
- NÃO funcione este produto dentro de casas, garagens, porões, vãos entre pisos, galpões ou outros espaços parcialmente fechados, mesmo com ventiladores ou portas e janelas abertas para ventilação. O monóxido de carbono pode se acumular rapidamente nesses espaços e podem durar horas, mesmo após o produto ser desligado.
- SEMPRE coloque este produto a favor do vento e aponte o escapamento do motor para fora de espaços ocupados.



## ADVERTÊNCIA



A rápida retração da corda da partida (contragolpe) puxará a mão e o braço em direção ao motor mais rapidamente do que você a poderia soltar.

Isto poderá resultar em ossos quebrados, fraturas, contusões ou entorses.

- Ao dar partida no motor, puxe a corda da partida lentamente até sentir resistência e então a puxe rapidamente para evitar o contragolpe.
- Retire todas as cargas sobre o motor/equipamentos externos antes de dar a partida.
- Os componentes do equipamento diretamente conectados – como lâminas, impulsos, polias, dentes de roda, etc., porém não apenas estes – devem estar seguramente fixados.



## ADVERTÊNCIA



As peças rotativas poderão entrar em contato ou prender mãos, pés, cabelo, vestuário ou acessórios.

Isto poderá resultar em amputação traumática ou grave laceração.

- Opere o equipamento com as proteções no devido lugar.
- Mantenha as mãos e os pés afastados das peças de rotação.
- Se tiver cabelo longo ou usar jóias, prenda o cabelo e retire seus acessórios.
- Não use roupa solta, cordões pendentes ou itens que poderão ficar presos.



## ADVERTÊNCIA



A liberação não-intencional de faísca poderá resultar em incêndio ou choque elétrico.



O acionamento não-intencional poderá resultar em emaranhamento, amputação traumática ou laceração.



Risco de incêndio

### Antes de realizar ajustes ou reparos:

- Desconecte o cabo da vela de ignição e mantenha-o afastado.
- Desligue a bateria, no terminal negativo (apenas motores com partida elétrica).
- Utilize somente as ferramentas apropriadas.
- Não adultere o motor com mola de regulagem, articulação ou outras peças para aumentar a velocidade.
- As peças de substituição devem ser as mesmas e instaladas na mesma posição que as originais. Outras peças não têm o mesmo desempenho, podem danificar a unidade e podem resultar em ferimentos.
- Não golpeie o volante do motor com um martelo ou objeto sólido, pois poderá quebrar mais tarde durante o funcionamento.

### Quando fizer teste de faíscas:

- Use sempre um analisador de faíscas aprovado.
- Não verifique se existem fagulhas com a vela de ignição retirada.



# Recursos e controles

Compare a ilustração **1** com seu motor para familiarizar-se com o local de vários recursos e controles.

- A. Identificação do motor  
**Modelo Tipo Código**
- B. Vela de ignição
- C. Purificador de ar, ciclônico
- D. Purificador de ar, perfil baixo
- E. Vareta de nível de óleo
- F. Bocal de abastecimento de óleo
- G. Filtro de óleo
- H. Bujão de drenagem de óleo
- I. Sensor de pressão do óleo
- J. Tela de proteção
- K. Partida elétrica.
- L. Solenóide do motor de arranque
- M. Retificador/regulador
- N. Carburador
- O. Resfriamento de óleo (opcional)
- P. Silencioso (opcional)
- Q. Bomba de combustível
- R. Chave de partida \*
- S. Controle do acelerador \*
- T. Controle do afogador \*
- U. Filtro de combustível (opcional)

\* Alguns motores e equipamentos têm controles remotos. Consulte o manual do equipamento para a localização e operação dos controles remotos.

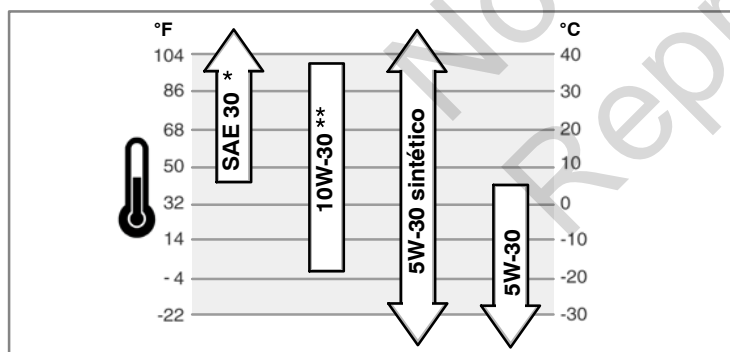
## Funcionamento

Capacidade de óleo (consulte a seção **Especificações**)

### Recomendações sobre o óleo

Recomendamos o uso dos óleos com garantia certificada da Briggs & Stratton para obter o melhor desempenho. Outros óleos detergentes de alta qualidade são aceitáveis se forem classificados para serviço SF, SG, SH, SJ ou superior. Não utilize aditivos especiais.

As temperaturas externas determinam a viscosidade de óleo apropriada para o motor. Use a tabela a fim de selecionar a melhor viscosidade para a faixa de temperatura externa esperada.



\* O óleo SAE 30, quando utilizado a temperaturas inferiores a 4°C, provocará uma partida difícil do motor.

\*\* O óleo 10W-30, quando utilizado a temperaturas superiores a 27°C, poderá causar aumento no consumo de óleo. Verifique mais frequentemente o nível do óleo.

### Como verificar/adicionar óleo - Figura 2

Antes de adicionar ou verificar o óleo

- Coloque o motor de modo de fique plano.
  - Limpe a área de enchimento de óleo removendo toda a sujeira e os resíduos.
1. Remova a vareta (A) e limpe-a com um pano limpo (Figura 2).
  2. Insira e rosqueie a vareta.
  3. Retire a vareta e verifique o nível de óleo. Verifique se o óleo está no topo do indicador de cheio (B) na vareta.
  4. Se o nível estiver baixo, adicione óleo lentamente dentro do bocal de enchimento de óleo (C). **Não deixe transbordar.** Depois de colocar óleo, aguarde um minuto e depois verifique o nível de óleo.
  5. Recoloque e rosqueie a vareta.

### Sistema de proteção contra baixo nível de óleo (se equipado)

Alguns motores são equipados com um sensor para baixo nível de óleo. Se o nível do óleo está baixo, o sensor acenderá uma luz de advertência ou desligará o motor. Desligue o motor e siga essas etapas antes de ligá-lo novamente.

- Verifique se o motor está nivelado.
- Verifique o nível do óleo. Consulte a seção **Como verificar/adicionar óleo**.
- Se o nível estiver baixo, adicione a quantidade adequada de óleo. Ligue o motor e verifique se a luz de advertência (se equipado) está acesa.
- Se o nível do óleo não estiver baixo, **não ligue** o motor. Entre em contato com um Centro de Serviço Autorizado Briggs & Stratton para que o problema com o óleo seja corrigido.

### Recomendações de combustível

O combustível deve atender a estes requisitos:

- Gasolina sem chumbo limpa e nova.
- Um mínimo de 87 octanos/87 AKI (91 RON). Uso em alta altitude, consulte adiante.
- Gasolina com até 10% de etanol (álcool combustível) é aceitável.

**CUIDADO:** Não utilize gasolinas não aprovadas, como E15 e E85. Não misture óleo em gasolina ou modifique o motor para funcionar com combustíveis alternativos. O uso de combustíveis não aprovados causará danos aos componentes do motor e **invalidará a garantia**.

Para proteger o sistema de combustível contra a formação de depósitos gomosos, misture um estabilizador de combustível ao combustível. Consulte a seção **Armazenamento**. Nem todos os combustíveis são iguais. Quando ocorrerem problemas de partida ou desempenho, mude de fornecedor ou de marca de combustível. Este motor está certificado para funcionar com gasolina. O sistema de controle de emissão deste motor é EM (Engine Modifications - Modificações de Motor).

### Alta altitude

Em altitudes superiores a 1.524 metros (5.000 pés), uma gasolina de no mínimo 85 octanos/85 AKI (89 RON) é aceitável. Para continuar atendendo às determinações para emissões, é necessário um ajuste para altas altitudes. Operar o motor sem esse ajuste reduzirá o desempenho do motor, aumentará o consumo de combustível e as emissões. Consulte um revendedor autorizado Briggs & Stratton para obter informações sobre ajuste para altas altitudes.

Não é recomendável que o motor opere a altitudes abaixo de 762 metros (2.500 pés) com o kit para alta altitude.

### Como adicionar combustível - Figura 3



#### ADVERTÊNCIA



O combustível e seus vapores são extremamente inflamáveis e explosivos.



O fogo ou uma explosão poderá provocar queimaduras graves ou morte.

#### Quando acrescentar combustível

- Desligue o motor (off) e deixe-o esfriar pelo menos 2 minutos antes de retirar o tampão do tanque de combustível.
- Abasteça o tanque em área aberta ou bem ventilada.
- Não encha demais o tanque de combustível. A fim de permitir a expansão do combustível, não encha acima do fundo do bocal do tanque de combustível.
- Mantenha o combustível afastado de faíscas, chamas desprotegidas, chamas-piloto, calor e outras fontes de ignição.
- Verifique frequentemente as tubulações de combustível, o tanque, o tampão e as conexões quanto a rachaduras ou vazamentos. Substitua, se necessário
- Se derramar combustível, espere até que evapore antes de acionar o motor.

1. Limpe a área do tampão do tanque de combustível para remover resíduos e sujeira. Retire o tampão (A), Figura 3.
2. Abasteça o tanque de combustível (B) com combustível. A fim de permitir a expansão do combustível, não encha acima do fundo do bocal do tanque de combustível (C).
3. Instale novamente o tampão do tanque de combustível.

### Como dar partida no motor - Figura 4



#### ADVERTÊNCIA



O combustível e seus vapores são extremamente inflamáveis e explosivos.



O fogo ou uma explosão poderá provocar queimaduras graves ou morte.

#### Quando dar partida no motor

- Certifique-se de que a vela de ignição, o silencioso, o tampão de combustível e o filtro de ar (caso montado) estejam em seus lugares e seguros.
- Não acione o motor sem a vela de ignição.
- Se o motor afogar, ajuste o afogador (se houver) na posição OPEN/RUN (aberto/em funcionamento), coloque o acelerador (se houver) na posição FAST (rápido) e acione até o motor ligar.



## ADVERTÊNCIA





**PERIGO DE GÁS TÓXICO.** O escapamento do motor contém monóxido de carbono, um gás tóxico que pode matar em minutos. Você NÃO consegue vê-lo, sentir seu cheiro nem seu gosto. Mesmo se você não sente o cheiro de gases de exaustão, pode, mesmo assim, estar exposto ao gás monóxido de carbono. Se você começar a se sentir mal, tonto ou fraco ao utilizar este produto, desligue-o e tome ar fresco IMEDIATAMENTE. Consulte um médico. Você pode ter sido intoxicado por monóxido de carbono.

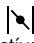
- Opere este produto APENAS em área externa, longe de janelas, portas e aberturas, para reduzir o risco de acúmulo de monóxido de carbono e da potencial tomada de espaços ocupados.
- Instale alarmes de monóxido de carbono acionados por bateria ou ligados em tomada elétrica com bateria de reserva, de acordo com as instruções do fabricante. Alarmes de fumaça não podem detectar monóxido de carbono.
- NÃO funcione este produto dentro de casas, garagens, porões, vãos entre pisos, galpões ou outros espaços parcialmente fechados, mesmo com ventiladores ou portas e janelas abertas para ventilação. O monóxido de carbono pode se acumular rapidamente nesses espaços e podem durar horas, mesmo após o produto ser desligado.
- SEMPRE coloque este produto a favor do vento e aponte o escapamento do motor para fora de espaços ocupados.

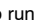
**AVISO:** Este motor foi enviado pela Briggs & Stratton sem óleo. Antes de dar partida no motor, lembre-se de adicionar óleo de acordo com as instruções neste manual. Se o motor for acionado sem óleo, ele será danificado sem possibilidade de reparo e não estará coberto pela garantia.

**Observação:** Alguns motores e equipamentos têm controles remotos. Consulte o manual do equipamento para a localização e operação dos controles remotos.

1. Verifique o nível de óleo. Consulte a seção **Como verificar/adicionar** óleo.
2. Verifique se os controles de transmissão, se houver, estão desengatados.
3. Coloque a válvula de fechamento de combustível (A), se houver, na posição on (Figura 4).
4. Mova o controle de aceleração (B) para a posição fast  (rápido). Opere o motor nessa  posição.


5. Puxe o controle do afogador (C), se houver, para a posição choke.

**Nota:** Para iniciar o motor com um sistema de combustível a frio (iniciando pela primeira vez ou após ficar sem combustível), será necessário um tempo prolongado na posição choke (afogar) . Assim a bomba de combustível terá tempo para fazer o sistema de combustível funcionar.

6. Gire a chave de parada (D), se houver, para a posição on.
7. Gire a chave de partida elétrica (E) para a posição on/start (ligado/partida) (Figura 4).
8. Se o motor pegar, mas não conseguir manter o funcionamento, mova o controle do afogador (C) para a posição run (funcionar)  para iniciar o motor.

**AVISO:** Para prolongar a vida útil da partida, use ciclos de partida curtos (máximo de cinco segundos). Aguarde um minuto entre os ciclos de partida.

**Nota:** Se o motor não der partida após três tentativas repetidas, acesse o [VanguardEngines.com](http://VanguardEngines.com) ou ligue para **1-800-999-9333** (nos EUA).

9. Enquanto o motor aquece, mova o afogador (C) para a posição run  (movimentar).

## Como parar o motor - Figura 4



## ADVERTÊNCIA



O combustível e seus vapores são extremamente inflamáveis e explosivos.

O fogo ou uma explosão poderá provocar queimaduras graves ou morte.

- Não afogue o carburador a fim de desligar o motor.

1. Mova o controle de aceleração para a posição slow, gire a chave (D) para a posição off (Figura 4). Remova a chave e a mantenha em um local seguro fora do alcance das crianças.
2. Gire a chave de parada (D), se houver, para a posição off (desligado).
3. Quando o motor parar, coloque a válvula de fechamento de combustível (A), se houver, na posição fechado.

## Manutenção

Recomendamos que você consulte um Centro Autorizado Briggs & Stratton para qualquer manutenção e serviço em motores e em suas peças.

**AVISO:** Todos os componentes usados na montagem deste motor devem permanecer em seus lugares para o funcionamento adequado.



## ADVERTÊNCIA:

Se for necessário inclinar a unidade para fazer a manutenção, o tanque de combustível deve estar vazio, caso contrário poderá haver vazamento, o que resultará em incêndio ou explosão.

## Controle de emissões

A manutenção, substituição e o reparo de dispositivos e sistemas de controle de emissão podem ser realizados por qualquer estabelecimento ou técnico de reparo de motores non-road (que não circulem em vias públicas). Entretanto, para obter serviço de controle de emissão "sem custos adicionais", o trabalho deve ser realizado por um centro autorizado da fábrica. Consulte a garantia de emissões.



## ADVERTÊNCIA

A liberação não-intencional de faísca poderá resultar em incêndio ou choque elétrico.

O acionamento não-intencional poderá resultar em emaranhamento, amputação traumática ou laceração.

Risco de incêndio

### Antes de realizar ajustes ou reparos:

- Desconecte o cabo da vela de ignição e mantenha-o afastado.
- Desligue a bateria, no terminal negativo (apenas motores com partida elétrica).
- Utilize somente as ferramentas apropriadas.
- Não adultere o motor com mola de regulagem, articulação ou outras peças para aumentar a velocidade.
- As peças de substituição devem ser as mesmas e instaladas na mesma posição que as originais. Outras peças não têm o mesmo desempenho, podem danificar a unidade e podem resultar em ferimentos.
- Não golpeie o volante do motor com um martelo ou objeto sólido, pois poderá quebrar mais tarde durante o funcionamento.

### Quando fizer teste de faíscas:

- Use sempre um analisador de faíscas aprovado.
- Não verifique se existem fagulhas com a vela de ignição retirada.

## Gráfico de manutenção

### Primeiras 5 horas

- Trocar o óleo

### Cada 8 horas ou diariamente

- Verifique o nível de óleo do motor.
- Limpar a área em torno do silencioso e os controles

### Cada 100 horas ou anualmente

- Limpe ou troque o filtro de ar \* ▲
- Trocar filtro e óleo do motor
- Limpe o pré-purificador (se houver) \*
- Substituir a vela de ignição
- Verificar o silencioso e retentor de faíscas

### Cada 250 horas ou anualmente

- Verificar a folga das válvulas. Ajuste se necessário.

### Cada 400 horas ou anualmente

- Trocar o filtro de ar ▲
- Substituir o filtro de combustível
- Limpar o sistema de arrefecimento do ar \*
- Limpar abas do arrefecedor de óleo \*

### Cada 600 horas ou anualmente

- Trocar filtro de segurança (se houver)

\* Em locais de muita poeira ou quando partículas trazidas pelo ar estão presentes, limpe com maior frequência.

▲ A cada terceira troca de filtro, substitua o filtro de segurança interno (quando assim equipado).

## Carburador e ajuste da velocidade do motor

Jamais faça ajustes no carburador ou na velocidade do motor. O carburador foi ajustado na fábrica para operar de forma eficiente na maioria das condições. Não adultere o motor com mola de regulagem, articulação ou outras peças para alterar a velocidade. Se forem necessários ajustes, entre em contato com um Centro Autorizado Briggs & Stratton para o serviço.

**ADVERTÊNCIA:** O fabricante do equipamento especifica a velocidade máxima do motor enquanto instalado no equipamento. **Não exceda** essa velocidade. Se você não tiver certeza sobre a velocidade máxima do equipamento ou a velocidade do motor ajustada de fábrica, entre em contato com um Centro Autorizado Briggs & Stratton para obter assistência. Para uma operação segura e adequada do equipamento, a velocidade do motor deve ser ajustada apenas por um técnico qualificado.

## Como substituir a vela de ignição - Figura 5

Verifique a folga (A, Figura 5) com um calibrador de fio (B). Se necessário, reajuste a folga. Instale e aperte a vela de ignição com o torque recomendado. Para obter o ajuste ou o torque, consulte a seção **Especificações**.

**Nota:** Em algumas áreas, a legislação local exige a utilização de uma vela de ignição resistiva para eliminar sinais de ignição. Se este motor for originalmente equipado com uma vela de ignição resistiva, use o mesmo tipo para substituição.

## Inspecione o Silencioso e o Retentor de Faíscas - Figura 6



### ADVERTÊNCIA



O funcionamento dos motores produz calor. As peças do motor, especialmente o silencioso, ficam extremamente quentes.

Poderão ocorrer graves queimaduras térmicas com o contato.



Os resíduos combustíveis, tais como folhas, grama, galhos, etc. poderão incendiar-se.

- Deixe o silencioso, o cilindro do motor e as aletas esfriarem antes de tocar neles.
- Remova resíduos acumulados da área do silencioso e do cilindro.
- É uma violação da Seção 4442 do Código de Recursos da Califórnia utilizar ou operar o motor em solo não-cultivado, coberto por mata, a menos que o sistema de exaustão possua um retentor de faíscas, como definido na Seção 4442, mantido em perfeitas condições de utilização. Os outros estados ou jurisdições federais poderão ter leis similares. Entre em contato com o fabricante, varejista ou revendedor para obter um retentor de faíscas projetado para o sistema de exaustão instalado neste motor.

Remova os resíduos acumulados da área do silencioso e do cilindro. Inspecione o silencioso (A, Figura 6) para verificar se há rachaduras, corrosão ou outros danos. Remova o retentor de faíscas (B), se houver, e inspecione quanto a danos ou obstrução devido ao carvão. Se algum dano for encontrado, instale as peças de substituição antes da utilização.



**ADVERTÊNCIA:** As peças de substituição devem ser as mesmas e instaladas na mesma posição que as originais. Outras peças não têm o mesmo desempenho, podem danificar a unidade e podem resultar em ferimentos.

## Como trocar o óleo - Figura 7

Óleo usado é um produto descartável de risco e deve ser disposto adequadamente. Não descarte junto com o lixo doméstico. Verifique se há um local para reciclagem/descarte seguro junto às autoridades locais, centro de serviço ou revendedor.

### Remoção de óleo

1. Com o motor desligado, mas ainda quente, desconecte o cabo da vela de ignição (A) e mantenha-o afastado (Figura 7)
2. Remova o bujão de drenagem de óleo (B). Drene o óleo para um contêiner aprovado.
3. Após a drenagem de todo o óleo, recoloque e aperte o bujão de drenagem de óleo.

### Trocar o filtro de óleo

Todos os modelos são equipados com um filtro de óleo. Para conhecer os intervalos de substituição, consulte o gráfico de **Manutenção**.

1. Drene o óleo do motor. Consulte a seção **Remover óleo**.
2. Remova o filtro de óleo (C, Figura 7) e faça o descarte de modo adequado.
3. Antes de instalar o novo filtro de óleo, lubrifique levemente a vedação do filtro de com óleo limpo e novo.
4. Instale o filtro de óleo manualmente e até que a vedação esteja em contato com o adaptador do filtro de óleo, em seguida aperte o filtro de óleo com 1/2 volta a 3/4 de volta.
5. Adicione óleo. Consulte a seção **Adicionar óleo**.
6. Dê partida no motor. Enquanto é aquecido, verifique se há vazamento de óleo.
7. Pare o motor e verifique o nível de óleo. Verifique se o óleo está no topo do indicador de cheio (F) na vareta.

### Adição de óleo

- Coloque o motor de modo de fique plano.

- Limpe a área de enchimento de óleo removendo toda a sujeira e os resíduos.
- Consulte a seção **Especificações** para obter informações sobre a capacidade de óleo.

1. Remova a vareta (D, Figura 7) e limpe-a com um pano limpo.
2. Despeje óleo lentamente no bocal de enchimento de óleo do motor (E). **Não deixe transbordar.** Depois de acrescentar óleo, aguarde um minuto e, em seguida, verifique novamente o nível de óleo.
3. Instale e rosqueie a vareta.
4. Remova a vareta e verifique o nível de óleo. Deve estar na marca FULL (F) na vareta.
5. Retire a vareta e verifique o nível de óleo. Verifique se o óleo está no topo do indicador de cheio (F) na vareta.
6. Instale e rosqueie a vareta.

## Como fazer manutenção no filtro de ar - Figura 8 9



### ADVERTÊNCIA



O combustível e seus vapores são extremamente inflamáveis e explosivos.



O fogo ou uma explosão poderá provocar graves queimaduras ou morte.

- Nunca dê partida ou movimento o motor o conjunto do purificador de ar (caso montado) ou o filtro de ar (caso montado) removido.

**AVISO:** Não use ar pressurizado ou solventes para limpar o filtro. O ar pressurizado pode danificar o filtro e os solventes irão dissolvê-lo. O sistema de filtro de ar usa um filtro de ar ciclônico ou um filtro de ar de perfil baixo. Consulte a seção **Gráfico de manutenção** para conhecer os requisitos de manutenção.

### Sistema de filtro de ar ciclônico

1. Abra as travas (A) e remova a tampa (B). Consulte Figura 8.
2. Remova o filtro de ar (C).
3. Para soltar os resíduos, bata suavemente o filtro de ar em uma superfície rígida. Se o filtro de ar estiver excessivamente sujo, substitua por um novo filtro.
4. O sistema de filtro de ar ciclônico também possui um filtro de segurança (D) (se houver). Consulte o **Gráfico de manutenção** para conhecer os requisitos do serviço. Para remover, puxe com cuidado o filtro de segurança para fora do corpo do purificador de ar (E) e descarte-o. Certifique-se de que a sujeira ou a poeira não entre no motor.
5. Instale o novo filtro de segurança no corpo do purificador de ar
6. Instale o filtro de ar sobre o filtro de segurança.
7. Instale a tampa e feche as travas.

### Sistema de filtro de ar de perfil baixo

1. Remova o botão (F) e a tampa (G). Veja Figura 9.
2. Remova a porca (H) e o retentor (J).
3. Remova o filtro de ar (K).
4. Remova o pré-purificador (L), se houver, do filtro de ar.
5. Para soltar os resíduos, bata suavemente o filtro de ar em uma superfície rígida. Se o filtro de ar estiver excessivamente sujo, substitua por um novo filtro.
6. Lave o pré-purificador em detergente líquido e água. Então deixe secar por completo naturalmente. **Não** coloque óleo no pré-purificador.
7. Monte o pré-purificador seco no filtro de ar.
8. Instale o filtro de ar e prenda com o retentor e a porca.
9. Instale a tampa e fixe-a com o botão.

## Como limpar o sistema de refrigeração de ar - Figura 11 12



### ADVERTÊNCIA



O funcionamento dos motores produz calor. As peças do motor, especialmente o silencioso, ficam extremamente quentes.

Poderão ocorrer graves queimaduras térmicas com o contato.



Os resíduos combustíveis, tais como folhas, grama, galhos, etc. poderão incendiar-se.

- Deixe o silencioso, o cilindro do motor e as aletas esfriarem antes de tocar neles.
- Remova resíduos acumulados da área do silencioso e do cilindro.

**AVISO:** NÃO limpe as peças do motor com água, evitando, assim, que o sistema de combustível seja contaminado. Use uma escova ou um pano seco para limpar o motor. Este é um motor com refrigeração de ar. Sujeira ou poeira pode restringir o fluxo de ar e fazer com que o motor fique superaquecido, resultado em redução no desempenho e menor vida útil do motor.

Use uma escova ou pano seco para remover resíduos do protetor (A, Figura 11). Mantenha limpos as tubulações, as molas e os controles (B). Mantenha a área em torno e atrás do silencioso (C) livre de qualquer resíduo de combustível. Certifique-se de que as abas do arrefecedor de óleo (D) estão livres de sujeira e resíduos.

Limpe a área embaixo do painel (E, Figura 12). Solte os dois parafusos (F) até ouvir um clique. Remova o painel e limpe a área com sujeira e resíduos. Verifique se lado inferior do painel também está limpa. Instale o painel e aperte os parafusos até ouvir um clique.

## Como substituir o filtro de combustível - Figura 10



### ADVERTÊNCIA



O combustível e seus vapores são extremamente inflamáveis e explosivos.



O fogo ou uma explosão poderá provocar queimaduras graves ou morte.

- Mantenha o combustível afastado de faíscas, chamas desprotegidas, chamas-piloto, calor e outras fontes de ignição.
- Verifique frequentemente as tubulações de combustível, o tanque, o tampão e as conexões quanto a rachaduras ou vazamentos. Substitua, se necessário.
- Antes de limpar ou recolocar o filtro de combustível, drene o tanque de combustível ou feche a válvula de fechamento de combustível.
- As peças de substituição devem ser as mesmas e instaladas na mesma posição que as originais.
- Se derramar combustível, espere até que evapore antes de acionar o motor.

1. Antes de substituir o filtro de combustível (A, Figura 10), se houver, drene o tanque de combustível ou feche a válvula de fechamento de combustível. Caso contrário, o combustível pode vazar e causar incêndio ou explosão.
2. Use pinças para apertar as lingüetas (B) nos grampos (C), depois deslize os grampos do filtro de combustível. Gire e puxe a tubulação de combustível (D) para fora do filtro.
3. Verifique a tubulação de combustível para observar se há rachaduras ou vazamentos. Substitua, se necessário.
4. Substitua o filtro de combustível por um filtro de substituição de equipamento original.
5. Preencha a tubulação de combustível com os grampos conforme é mostrado.

## Armazenamento



### ADVERTÊNCIA



O combustível e seus vapores são extremamente inflamáveis e explosivos.



O fogo ou uma explosão poderá provocar queimaduras graves ou morte.

#### Quando armazenar combustível ou equipamento com combustível no tanque

- Guarde o motor longe de fornalhas, fogões, aquecedores de água ou outros aparelhos com chama piloto ou fontes de ignição, uma vez que poderão inflamar os vapores de combustível.

### Sistema de combustível

O combustível pode envelhecer se for armazenado por mais de 30 dias. Combustível velho forma depósitos gomosos e ácidos no sistema de combustível ou em peças essenciais do carburador. Para manter o combustível novo, use a fórmula avançada de tratamento e estabilizador de combustível **Briggs & Stratton**, disponível sempre que peças ou serviços genuínos Briggs & Stratton são vendidos.

Para os motores equipados com um tampão de combustível FRESH START®, use FRESH START® da **Briggs & Stratton** disponível como um cartucho de gotejamento.

Não há necessidade de drenar a gasolina do motor se um estabilizador de combustível for adicionado de acordo com as instruções. Deixe o motor ligado por 2 minutos para permitir que o estabilizador circule por todo o sistema de combustível antes de ser armazenado.

Se a gasolina no motor não for tratada com um estabilizador de combustível, deverá ser escoada dentro de um recipiente aprovado. Deixe o motor em funcionamento até que ele pare devido à falta de combustível. É recomendável utilizar um estabilizador de combustível no recipiente de armazenamento a fim de manter as propriedades da gasolina.

### Óleo do motor

Com o motor ainda quente, troque o óleo.

### Detecção de problemas

Precisa de assistência? Acesse [VanguardEngines.com](http://VanguardEngines.com) ou ligue para 1-800-999-9333 (nos EUA).

## Especificações

Especificações do motor	
Modelo	540000
Deslocamento	54,68 ci (896 cc)
Calibre	3,366 pol (85,5 mm)
Curso	3,071 pol (78,0 mm)
Capacidade de óleo	78 - 80 oz (2,3 - 2,4 L)

Especificações de ajuste *	
Modelo	540000
Folga da vela de ignição	0,030 pol (0,76 mm)
Torque da vela de ignição	180 lb-pol (20 Nm)
Folga de ar da armação	0,005 - 0,008 pol (0,13 - 0,20 mm)
Folga da válvula de entrada	0,004 - 0,006 pol (0,10 - 0,15 mm)
Folga da válvula de exaustão	0,004 - 0,006 pol (0,10 - 0,15 mm)

Especificações do motor	
Modelo	610000
Deslocamento	60,60 ci (993 cc)
Calibre	3,366 pol (85,5 mm)
Curso	3,406 pol (86,5 mm)
Capacidade de óleo	78 - 80 oz (2,3 - 2,4 L)

Especificações de ajuste *	
Modelo	610000
Folga da vela de ignição	0,030 pol (0,76 mm)
Torque da vela de ignição	180 lb-pol (20 Nm)
Folga de ar da armação	0,005 - 0,008 pol (0,13 - 0,20 mm)
Folga da válvula de entrada	0,004 - 0,006 pol (0,10 - 0,15 mm)
Folga da válvula de exaustão	0,004 - 0,006 pol (0,10 - 0,15 mm)

\* A potência do motor reduzirá 3,5% a cada 300 metros (1.000 pés) acima do nível do mar e 1% a cada 5,6° C (10° F) acima de uma temperatura de 25° C (77° F). O motor funcionará satisfatoriamente em um ângulo de até 15°. Consulte o manual do operador do equipamento a fim de obter os limites permitidos para o funcionamento seguro em declive.

### Peças de serviço comuns

Peça de serviço	Número da peça
Filtro de ar, ciclônico	841497
Filtro de segurança, ciclônico	821136
Filtro de ar, perfil baixo	692519
Pré-purificador, perfil baixo	692520
Óleo - SAE 30	100028
Filtro de óleo	842921

Peça de serviço	Número da peça
Filtro de combustível	691035
Aditivo para combustível	5041, 5058
Vela de ignição com resistor	491055
Vela de ignição de platina de longa duração	5066
Chave de velas de ignição	19374
Analisador de faíscas	19368

✓ Recomendamos que você consulte um Centro Autorizado Briggs & Stratton para todos os serviços de reparo e manutenção do motor e das peças do motor.

**GARANTIA LIMITADA**

A Briggs & Stratton garante que, durante o período de garantia especificado abaixo, ela reparará ou substituirá gratuitamente qualquer componente que possua defeito em material, em montagem ou em ambos. Contudo, todos os custos de transporte dos produtos dentro da cobertura desta Garantia submetidos para reparo ou substituição ficarão a cargo do comprador. Essa garantia está em vigor durante os períodos de tempo e sujeita às condições estabelecidas abaixo. Para assistência sob garantia, localize o Centro de Serviço Autorizado mais próximo, no mapa de localização em BRIGGSandSTRATTON.COM. O comprador deve entrar em contato com o Centro de Serviço Autorizado e fornecer o produto para inspeção e teste que serão realizados pelo Centro.

**Não há outra garantia expressa. As garantias implícitas, incluindo aquelas de comercialização e adequação para um determinado fim, são limitadas ao período de um ano a partir da data de compra, ou pelo tempo permitido por lei. Todas as outras garantias implícitas estão excluídas. A responsabilidade por danos sucessivos ou incidentais sob toda e qualquer garantia está excluída na extensão permitida por lei.** Alguns países ou estados não permitem limitações no tempo de duração de garantias implícitas, e outros países ou estados não permitem exclusão ou limitação de danos sucessivos ou acidentais, portanto a limitação e exclusão acima podem não se aplicar. Esta garantia dá direitos legais específicos e o consumidor pode também ter outros direitos que variam de país para país ou de estado para estado \*\*.

**TERMOS DA GARANTIA PADRÃO \* ▲**

Tipo de produto/marca	Uso Residencial	Uso Comercial
Vanguard™ ■	3 anos	3 anos
Commercial Turf Series™	2 anos	2 anos
Extended Life Series™ ; I/C®; Intek™ I/C®; Intek™ Pro;™ Professional Series™ com corpo de cilindro fundido Dura-Bore™ ; 850 Series™ com corpo de cilindro fundido Dura-Bore™ ; Snow Series MAX™ com corpo de cilindro fundido Dura-Bore™ ; Todos os outros motores Briggs & Stratton equipados com corpo de cilindro fundido Dura-Bore™	2 anos	1 ano
Todos os outros motores Briggs & Stratton	2 anos	90 dias

- \* Esses são nossos termos de garantia padrão, mas ocasionalmente pode haver cobertura de garantia adicional que não foi determinada no momento da publicação. Para obter uma listagem dos termos de garantia atuais de seu equipamento, acesse BRIGGSandSTRATTON.COM ou entre em contato com o Centro de Serviço Autorizado Briggs & Stratton.
- \*\* Na Austrália - Nossos produtos possuem garantias que não podem ser excluídas em virtude das leis australianas do consumidor. Você tem direito a substituição ou reembolso por uma falha geral e compensação por qualquer outro dano ou perda aceitável e previsto. Você também tem o direito de ter os produtos consertados ou substituídos caso os produtos não tenham qualidade aceitável e a falha não represente uma falha geral. Para assistência sob garantia, localize o Centro de Serviço Autorizado mais próximo, no mapa de localização no BRIGGSandSTRATTON.COM ou ligue para 1300 274 447 ou escreva para salesenquiries@briggsandstratton.com.au ou Briggs & Stratton Australia Pty Ltd, 1 Moorebank Avenue, Moorebank, NSW , Australia, 2170.
- ▲ Aplicações de gerador caseiro: Garantia de 2 anos apenas para uso doméstico. Não há garantia para uso comercial. Esta garantia não se aplica a motores em equipamentos usados como energia principal no lugar de um utilitário. **Os motores usados em competições automobilísticas ou pistas comerciais ou alugadas não têm garantia.**
- Vanguard instalado em geradores: Garantia de 2 anos para uso doméstico e sem garantia para uso comercial. Vanguard instalado em veículos utilitários: Garantia de 2 anos para uso doméstico e comercial. Vanguard em motor resfriado de 3 cilindros: Consulte o Certificado de Garantia do dos motores Briggs & Stratton.

O período de garantia inicia-se na data de compra pelo primeiro consumidor ou usuário final comercial e é mantido pelo período de tempo mencionado na tabela acima. "Uso por consumidor" significa um uso pessoal residencial por um consumidor de varejo. "Uso comercial" significa todos os outros usos, incluindo uso para propósitos comerciais de produção de renda ou de aluguel. Uma vez tendo sido usado comercialmente, o motor será posteriormente considerado de uso comercial para os propósitos desta garantia.

**Não é necessário o registro da garantia para obtê-la para os produtos da Briggs & Stratton. Guarde seu comprovante de compra. Se você não apresentar o comprovante com a data de compra ao solicitar o serviço de garantia, será usada a data de fabricação do produto para calcular o prazo de garantia.**

**Sobre a garantia**

A Briggs & Stratton gentilmente aceita o reparo em garantia e lamenta pela inconveniência causada. Qualquer Centro de Serviço Autorizado pode realizar reparos de garantia. A maioria de reparos nessa condição são serviços rotineiros, mas às vezes os pedidos por serviço em garantia podem não ser considerados adequados. Para evitar equívocos que possam eventualmente ocorrer entre o cliente e o Centro de Serviço, descrevemos abaixo algumas das causas de falha dos motores que não estão cobertas pela garantia.

**Desgaste normal:** Os motores, assim como qualquer equipamento mecânico, precisam de manutenção e substituição periódicas das peças para que funcionem bem. A garantia não cobre reparos relacionados ao desgaste causado por uso em uma peça ou motor. A garantia não se aplicaria se o dano ao motor ocorresse por uso indevido, falta de manutenção de rotina, transporte, manuseio, armazenamento ou instalação inadequada. De igual forma, a garantia fica invalidada caso tenha sido retirado o número de série do motor ou caso o motor tenha sido alterado ou modificado.

**Manutenção incorreta:** A vida útil de um motor depende das condições em que é utilizado e dos cuidados que recebe. Algumas aplicações, tais como picadores de forragem, bombas e cortadores de grama, são muitas vezes utilizadas em condições em que estão sujeitas a poeiras e sujeira, que podem causar um aparente desgaste prematuro. Tal desgaste não está coberto pela garantia, quando causado pela penetração no motor de impurezas, pó, resíduos de limpeza das velas ou qualquer outro material abrasivo, decorrente de uma manutenção incorreta.

**Esta garantia cobre somente material e/ou mão-de-obra defeituosos relacionados com o motor e não a substituição ou reembolso do equipamento em que o motor possa estar montado. Além disso, a garantia também não cobre reparos devidos a:**

- 1 Problemas causados por peças que não sejam peças originais Briggs & Stratton.
- 2 Controles de equipamentos ou instalações que impeçam a partida, provocando um desempenho insatisfatório do motor ou a redução da vida útil do motor. (Entre em contato com o fabricante do equipamento.)
- 3 Carburadores com vazamentos, tubos de combustível entupidos, válvulas coladas ou outras avarias causadas pela utilização de combustível contaminado ou envelhecido.

- 4 Peças riscadas ou quebradas resultantes da utilização do motor com óleo contaminado ou insuficiente ou de um óleo de grau incorreto (verifique e complete sempre que necessário e troque nos intervalos recomendados). O indicador de segurança OIL GARD poderá não se desligar durante o funcionamento do motor. O motor poderá ficar danificado se o nível do óleo não for mantido corretamente.
- 5 O reparo ou ajuste de componentes associados ou de conjuntos, tais como embreagens, transmissões, controles à distância, etc., que não sejam de fabricação da Briggs & Stratton.
- 6 Avaria ou desgaste de componentes devido à penetração de impurezas no motor, decorrente de manutenção ou remontagem inadequada do purificador de ar, ou da utilização de um elemento ou cartucho de purificador de ar que não seja original. A intervalos recomendados, limpe e/ou substitua o filtro, de acordo com as recomendações do Manual de operação.
- 7 Componentes danificados devido a sobrevelocidade ou a superaquecimento causado por grama, areias ou sujeira que tapem ou entupam as aletas de arrefecimento ou a área do volante, ou devido à utilização do motor numa área confinada sem ventilação suficiente. Limpe os resíduos no motor nos intervalos recomendados no manual de operação.
- 8 Componentes do motor ou do equipamento quebrados devido a vibração excessiva provocada por montagem frouxa do motor, lâminas cortantes frouxas, pás desbalanceadas ou impulsores frouxos ou desbalanceados, fixação incorreta do equipamento ao virabrequim do motor, sobrevelocidade ou outro abuso na operação.
- 9 Virabrequim empenado ou quebrado devido ao choque de um objeto sólido com uma lâmina cortante de uma máquina rotativa para cortar grama, ou devido ao aperto excessivo da correia em V.
- 10 Regulagem ou ajuste rotineiro do motor.
- 11 A falha do motor ou de componentes do motor i.e., câmara de combustão, válvulas, sede de válvulas, guias de válvulas ou enrolamentos queimados do motor de partida, provocada pelo uso de combustíveis alternativos, como petróleo liquefeito, gás natural, gasolinas formuladas com etanol superior a 10%, etc.

**O serviço de garantia está disponível apenas por meio de distribuidores de serviço autorizados pela Briggs & Stratton. Localize o Centro de Serviço Autorizado mais próximo, no mapa de localização em BRIGGSandSTRATTON.COM ou ligue para 1-800-233-3723 (nos EUA).**

## Allmän information

Denna handbok innehåller säkerhetsinformation som gör dig uppmärksam på de faror och risker som är förknippade med motorer och hur man undviker dem. Den innehåller även anvisningar om rätt användning och skötsel av motorn. Då Briggs & Stratton inte nödvändigtvis känner till vilken maskin denna motor driver, är det viktigt att du läser och förstår dessa anvisningar och anvisningarna för maskinen. **Spara dessa anvisningar för framtida referens.**

Skriv upp motorns modell-, typ- och kodnummer samt inköpsdatum nedan. Dessa nummer behövs vid beställning av reservdelar och för teknisk assistans. Numren finns på motorn (information om var finns på sidan **Egenskaper och reglage**).

**Inköpsdatum:** \_\_\_\_\_

MM/DD/ÅÅÅÅ

**Motormodell:** \_\_\_\_\_

Modell:

Typ:

Kod:

**Effektangivelser:** Bruttoeffekten för individuella bensenmotorer är märkt i enlighet med SAE (Society of Automotive Engineers) kod J1940 (förfarande vid mätning av effekt och vridmoment för småmotorer) och effekten har fastställts och korrigerats i enlighet med SAE J1995. Momentvärdena har mätts vid 2600 r/min där "rpm" anges på etiketten och vid 3060 r/min för övriga. Effektvärdena är mätta vid 3600 r/min. Bruttoeffektkurvorna kan studeras på [www.BRIGGSandSTRATTON.com](http://www.BRIGGSandSTRATTON.com). Nettoeffekten mäts med ljuddämpare och luftrenare monterade medan bruttoeffektvärden mäts utan dessa tillbehör. Verklig bruttoeffekt kommer att vara högre än nettoeffekten och påverkas av bl.a. driftförhållanden och individuella variationer från motor till motor. Med tanke på de många olika produkter på vilka motorer är monterade utvecklar bensenmotorn eventuellt inte angiven bruttoeffekt vid användning i en specifik maskin. Denna skillnad beror på många olika faktorer, bl.a. olika motortillbehör (luftrenare, avgassystem, laddning, kylning, förgasare, bränslepump, etc.), tillämpningsbegränsningar, driftförhållanden (temperatur, fuktighet, höjd) och individuella variationer från motor till motor. På grund av tillverknings- och kapacitetsbegränsningar kan Briggs & Stratton leverera utbytesmotor med högre märkeffekt för denna motor.

## Förarsäkerhet

### SÄKERHETS OCH REGLAGESYMBOLER



Brand



Snurrande delar



Olja



Giftiga gaser



Långsamt



Fort



Stopp



Explosion



Stötar



Bränsle



Choke



På Av



Bränslekran



Bakslag



Bär ögonskydd



Farlig kemikalie




Läs instruktionsboken



Varm yta



Frostskador

Säkerhetsalertsymbolen  används för att ange säkerhetsinformation om risker som kan resultera i personskador. Signalord (FARA, VARNING eller OBS) används tillsammans med alertsymbolen för att ange sannolikheten för skador och deras grad. Risksymbolen kan dessutom användas för att representera risktypen.



**FARA** anger en risk som, om den inte undviks, **resulterar i död eller svåra skador.**



**VARNING** anger en risk som, om den inte undviks, **kan resultera i död eller svåra skador.**



**OBS** anger en risk som, om den inte undviks, **kan resultera i lindriga skador.**

**MÄRK** anger en situation som **kan resultera i produktskador.**



### VARNING

Vissa komponenter i produkten och tillhörande tillbehör innehåller kemikalier som kan orsaka cancer, missbildningar och andra fortplantningsskador. Tvätta händerna när du arbetat med dessa.



### VARNING

Avgaserna från denna produkt innehåller kemikalier som i staten Kalifornien konstaterats orsaka cancer, födelsedefekter eller andra reproduktionsstörningar.



### VARNING

Briggs & Strattons motorer är inte konstruerade för, och ska inte användas för att driva: lekfordon, gocart-bilar, barnfordon, fritidsfordon eller fyrhjulingar (ATV), motorcyklar, svävar, flygmaskiner och inte heller i farkoster som används i tävlingsssammanhang som inte sanktionerats av Briggs & Stratton. Information om racingprodukter för tävlingsändamål finns på: [www.briggsracing.com](http://www.briggsracing.com). Beträffande användning i nytto- och tvåpersoners fyrhjulingar ska ni vända er till Briggs & Stratton Engine Application Center, 1-866-927-3349. Felaktig användning av motorerna kan leda till allvarliga och dödliga skador.

**MÄRK:** Motorn levererades från Briggs & Stratton utan olja. Fyll på olja enligt anvisningarna i handboken innan du startar motorn. Om du startar den utan att fylla på olja, skadas det så att den inte går att reparera och garantin upphävs.



## VARNING



**Bränsle och dess ångor är ytterst antändbara och explosiva.  
Brand och explosion kan orsaka svåra brännskador eller dödsfall.**

### Vid bensinpåfyllning

- Stäng av motorn och låt den svalna i minst 2 minuter innan du tar av tanklocket.
- Fyll bränsletanken utomhus eller i välventilerat utrymme.
- Fyll inte på för mycket. Fyll inte högre än tankhalsens nederdel så att bränslet har plats att utvidgas.
- Håll bränsle på avstånd från gnistor, flammor, tändlågor, värme och andra antändningskällor.
- Kontrollera regelbundet bränsleslangar, tank, tanklock och kopplingar för sprickor eller läckor. Byt ut vid behov.
- Vid bensinspill, vänta tills bensinen dunstat bort innan du startar motorn.

### Vid start

- Se till att tändstift, ljuddämpare, tanklock och luftrenare (i förekommande fall) är på plats och ordentligt fastsatta.
- Dra inte runt motorn med tändstiftet uttaget.
- Om motorn blir sur, sätt choken (i förekommande fall) i läget OPEN/RUN, gasreglaget (i förekommande fall) i läget FAST och dra runt tills motorn startar.

### Vid körning av maskinen

- Tippa inte motorn eller maskinen i sådan vinkel att bränslet spills ut.
- Choka inte förgasaren för att stoppa motorn.
- Starta och kör aldrig motorn med luftrenaren (i förekommande fall) eller luftfiltret (i förekommande fall) borttaget.

### Vid oljebyte

- Bränsletanken måste vara tom om du tappar ur oljan genom påfyllningshålet på översidan, bränsle kan annars läcka ut och orsaka brand eller explosion.

### När maskinen tippas för underhåll

- Vid underhåll som kräver tippning av maskinen måste bränsletanken vara tom, annars kan bränsle läcka ut och orsaka brand eller explosion.

### Vid transport av maskinen

- Transportera med TOM tank eller med STÄNGD bränslekran.

### Vid förvaring av bränsle eller maskin med bränsle i tanken

- Förvara på avstånd från ugnar, brännare, vattenvärmare och andra apparater med tändlågor eller andra tändkällor, då sådana kan antända bränsleångor.



## VARNING



**Motorstart skapar gnistor.  
Gnistor kan antända gaser i närheten.  
Explosion och brand kan inträffa.**

- Starta inte motorn om det finns natur- eller LP-gasläckage i området.
- Använd inte startvätskor under tryck då ångor är antändbara.



## VARNING



**FARA FÖR GIFTIG GAS. Avgaser innehåller koloxid, som kan döda dig på några minuter. Du kan INTE se, lukta eller smaka koloxid. Även om du inte kan lukta avgaser, kan du ändå vara utsatt för koloxid. Om du börjar känna dig illamående, yr eller svag när du använder denna produkt, stäng av den och gå ut i friska luften OMEDELBART. Kontakta läkare. Du kan ha koloxidförgiftning.**

- Använd ENDAST denna produkt utomhus, på avstånd från fönster, dörrar och ventiler för att minska risken för att koloxid ska ansamlas och eventuellt dras in i bemannade utrymmen.
- Installera batteridrivna koloxidlarm eller koloxidlarm med stickkontakt och batteribackup i enlighet med tillverkarens anvisningar. Rökdetektorer upptäcker inte koloxid.
- Använd INTE denna produkt inomhus, i garage, källare, kryprum, skjul eller andra delvis slutna utrymmen även om fläktar eller öppna dörrar och fönster används för ventilering. Koloxid kan snabbt samlas i dessa utrymmen och kan ligga kvar i flera timmar, även efter det att produkten stängts av.
- Placera ALLTID denna produkt åt vindsidan och rikta avgasutsläppet bort från bemannade utrymmen.



## VARNING



**Snabb indragning av startsnöret (backslag) drar hand och arm mot motorn innan man hinner släppa.**

**Brutna ben, frakturer, blåmärken, o.d. kan inträffa.**

- Starta motorn genom att först dra ut snöret långsamt tills ett motstånd känns och sedan snabbt för att undvika backslag.
- Avlägsna alla utvändiga maskin-/motorbelastningar innan motorn startas.
- Direktkopplade maskindelar som t.ex. blad, rotor, remskivor, kuggkransar, etc., måste vara ordentligt fästa.



## VARNING



**Snurrande delar kan komma i kontakt med händer, fötter, hår, kläder eller smycken.**

**Svåra skärskador eller t.o.m. amputation kan inträffa.**

- Kör maskinen med skydden på plats.
- Håll händer och fötter borta från snurrande delar.
- Sätt upp långt hår och ta av alla smycken.
- Bär inte löst sittande kläder, dragband eller andra föremål som kan trassla in sig.



## VARNING



**Gående motorer producerar värme. Motordelar, speciellt ljuddämpare, blir mycket varma.**

**Svåra brännskador kan inträffa vid beröring.**

**Brännbart skräp, som t.ex. löv, gräs, buskar, etc. kan börja brinna.**

- Låt ljuddämpare, motorcylinder och flänsar svalna innan du rör dem.
- Avlägsna ansamlad skräp från ljuddämpar- och cylinderområdet.
- Det är ett brott mot California Public Resource Code, avsnitt 4442 att använda och köra motorn i skog, buskage och på gräsbevuxna marker om inte avgassystemet är försett med gnistsläckare enligt definitionen i avsnitt 4442, och som är i funktionsdugligt skick. Liknande lagar kan gälla i andra stater och länder. Vänd dig till maskintillverkaren, grossisten eller återförsäljaren som kan installera en gnistsläckare avsedd för avgassystemet.



## VARNING



**Oavsiktliga gnistor kan resultera i brand eller stötar.**

**Oavsiktlig start kan resultera i intrassling, skärskador eller amputation.**

**Brandrisk**



### Före justering eller reparation

- Lossa tändstiftkabeln och håll den på avstånd från tändstiftet.
- Koppla bort batteriet vid minuspolen (endast motorer med elstart).
- Använd endast rätta verktyg.
- Justera inte regulatorfjädrar, länkar eller andra delar för att höja motorvarvtalet.
- Utbytesdelar ska ha samma utformning och installeras på samma plats som originaldelarna. Delar av annat fabrikat fungerar eventuellt inte lika bra, kan skada maskinen och leda till skador.
- Slå inte på svänghjulet med hammare eller hårt föremål, eftersom svänghjulet då kan splittras under gång.

### Vid kontroll av tändningssystem:

- Använd godkänd gnistprovare.
- Testa inte gnistan med tändstiftet demonterat.

# Egenskaper och reglage

Jämför illustrationen **1** med din motor för att bekanta dig med de olika egenskaperna och reglagens placering.

- A. Motorbeteckning  
**Modell Typ Kod**
- B. Tändstift
- C. Luftrenare, cyklon
- D. Luftrenare, lågprofil
- E. Oljesticka
- F. Oljepåfyllning
- G. Oljefilter
- H. Oljeavtappningsplugg
- I. Oljetrycksgivare
- J. Fingerskydd
- K. startmotorer
- L. Startsolenoïd
- M. Regulator/Likriktare
- N. Förgasare
- O. Oljekylare (extra tillbehör)
- P. Ljuddämpare (extra tillbehör)
- Q. Bränslepump
- R. Startbrytare \*
- S. Gasreglage \*
- T. Chokereglage \*
- U. Bränslefilter (extra tillbehör)

\* Vissa motorer och maskiner har fristående reglage. Var dessa sitter och hur de manövreras beskrivs i maskinhandboken.

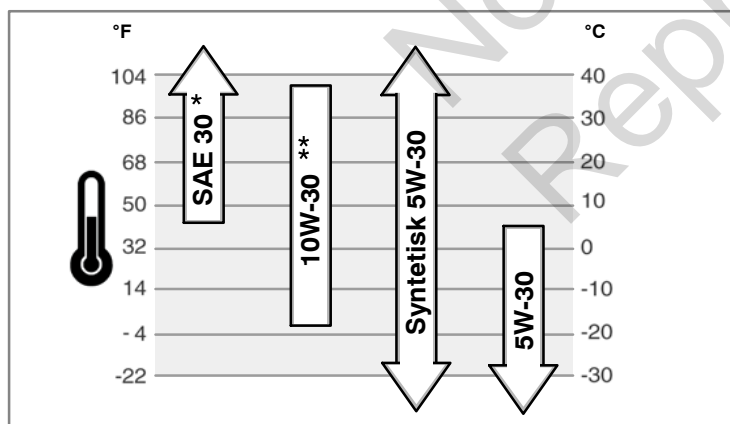
## Drift

Oljevolym (se kapitlet **Specifikationer**)

### Oljerekommendationer

Vi rekommenderar av Briggs & Stratton certifierade och garanterade oljor för att få bästa prestanda. Andra högkvalitativa renande oljor får användas om de är klassade SF, SG, SH, SJ eller bättre. Använd inga tillsatser.

Utetemperaturer avgör vilken oljeviskositet som ska användas i motorn. Välj olja i tabellen efter förväntad utetemperatur.



\* Användning av SAE 30-olja i temperaturer under 4°C gör det svårare att starta motorn.

\*\* Vid användning av 10W-30 i temperaturer över 27°C stiger oljeförbrukningen. Kontrollera oljenivån oftare.

### Kontroll/Påfyllning av olja - fig. 2

Innan du fyller på eller kontrollerar oljan

- Sätt motorn i vågrätt läge.
  - Avlägsna skräp från oljerörområdet.
1. Ta ur oljesticka (A) och torka av med en ren trasa (fig. 2).
  2. Sätt tillbaka oljesticka och skruva åt.
  3. Ta ut oljesticka och kontrollera nivån. Oljan ska stå vid den övre delen av full-markeringen (B) på stickan.

4. Fyll sakta på olja genom påfyllningsröret (C) om nivån är låg. **Fyll inte på för mycket.** Vänta en minut och kontrollera sedan nivån.
5. Sätt tillbaka och dra åt oljesticka.

### Skydd mot för låg oljenivå (i förekommande fall)

Vissa motorer är försedda med en givare för låg oljenivå. Givaren endera tänder en varningslampa eller stoppar motorn vid för låg oljenivå. Stoppa motorn och utför stegen nedan innan den startas på nytt.

- Se till att motorn står plant.
- Kontrollera oljenivån. Se avsnittet **Kontroll/Påfyllning av olja**.
- Fyll på rätt mängd olja om nivån är för låg. Starta motorn och kontrollera att varningslampan (i förekommande fall) inte tänds.
- **Starta inte** motorn om nivån inte är för låg. Vänd dig till en auktoriserad Briggs & Stratton-återförsäljare för att få oljetrycksproblemet åtgärdat.

### Bränslerekommendationer

Bränslet måste uppfylla dessa krav:

- ren, ny och blyfri bensin.
- minst 87 oktan/87 AKI (91 RON). För körning på hög höjd, se nedan.
- Bensin med upp till 10 % etanol kan användas.

**OBS:** Använd inte icke-godkänd bensin, som t.ex. E15 och E85. Blanda inte olja i bensinen. Modifiera inte motorn att gå på alternativa bränslen. Användning av icke-godkänd bensin skadar motordelarna och **upphäver garantin**.

Blanda in en tillsats i bränslet för att skydda systemet mot beckbildning. Se **Förvaring**. Allt bränsle är inte likadant. Om start- eller prestandaproblem inträffar, byt bensinstation eller bensinmärke. Denna motor är intygad för drift med bensin.

Utsläppskontrollsystemet för denna motor är EM (Engine Modifications -motormodifikationer).

### Hög höjd

På höjder 1500 meters fordras bensin med minst 85 oktan/85 AKI (89 RON). För att avgasreningen ska fungera rätt fordras höghöjdsinställning. Körning utan denna inställning sänker prestanda och höjer bensinförbrukningen och utsläppen. Vänd dig till en auktoriserad Briggs & Stratton-återförsäljare beträffande information om höghöjdsinställning.

Vi avråder från körning på höjder under 762 meter med höghöjdsinställningen monterad.

### Påfyllning av bränsle - fig. 3



#### VARNING



**Bränsle och dess ångor är ytterst antändbara och explosiva.  
Brand och explosion kan orsaka svåra brännskador eller dödsfall.**

#### Vid bensinpåfyllning

- Stäng av motorn och låt den svalna i minst 2 minuter innan du tar av tanklocket.
- Fyll bränsletanken utomhus eller i välventilerat utrymme.
- Fyll inte på för mycket. Fyll inte högre än tankhalsens nederdel så att bränslet har plats att utvidgas.
- Håll bränsle på avstånd från gnistor, flammor, tändlåg, värme och andra antändningskällor.
- Kontrollera regelbundet bränsleslangar, tank, tanklock och kopplingar för sprickor eller läckor. Byt ut vid behov.
- Vid bensinspill, vänta tills bensinen dunstat bort innan du startar motorn.

1. Avlägsna smuts och skräp från området runt tanklocket. Ta av tanklocket (A, fig. 3).
2. Fyll bränsle i tanken (B). Fyll inte högre än tankhalsens nederdel (C) så att bränslet har utrymme att utvidgas.
3. Sätt tillbaka tanklocket.

### Start av motorn - fig. 4



#### VARNING



**Bränsle och dess ångor är ytterst antändbara och explosiva.  
Brand och explosion kan orsaka svåra brännskador eller dödsfall.**

#### Vid start

- Se till att tändstift, ljuddämpare, tanklock och luftrenare (i förekommande fall) är på plats och ordentligt fastsatta.
- Dra inte runt motorn med tändstiftet uttaget.
- Om motorn blir sur, sätt choken (i förekommande fall) i läget OPEN/RUN, gasreglaget (i förekommande fall) i läget FAST och dra runt tills motorn startar.





## VARNING



**FARA FÖR GIFTIG GAS. Avgaser innehåller koloxid, som kan döda dig på några minuter. Du kan INTE se, lukta eller smaka koloxid. Även om du inte kan lukta avgaser, kan du ändå vara utsatt för koloxid. Om du börjar känna dig illamående, yr eller svag när du använder denna produkt, stäng av den och gå ut i friska luften OMEDELBART. Kontakta läkare. Du kan ha koloxidförgiftning.**

- Använd ENDAST denna produkt utomhus, på avstånd från fönster, dörrar och ventiler för att minska risken för att koloxid ska ansamlas och eventuellt dras in i bemannade utrymmen.
- Installera batteridrivna koloxidlarm eller koloxidlarm med stickkontakt och batteribackup i enlighet med tillverkarens anvisningar. Rökdetektorer upptäcker inte koloxid.
- Använd INTE denna produkt inomhus, i garage, källare, kryprum, skjul eller andra delvis slutna utrymmen även om fläktar eller öppna dörrar och fönster används för ventilering. Koloxid kan snabbt samlas i dessa utrymmen och kan ligga kvar i flera timmar, även efter det att produkten stängts av.
- Placera ALLTID denna produkt åt vindsidan och rikta avgasutsläppet bort från bemannade utrymmen.

**MÄRK:** Motorn levererades från Briggs & Stratton utan olja. Fyll på olja enligt anvisningarna i handboken innan du startar motorn. Om du startar den utan att fylla på olja, skadas det så att den inte går att reparera och garantin upphävs.

*Anm.:* vissa motorer och maskiner har fristående reglage. Var dessa sitter och hur de manövreras beskrivs i maskinhandboken.

1. Kontrollera oljenivån. Se avsnittet **Kontrollera/fylla på olja**.
2. Kontrollera i förekommande fall att redskapet är urkopplat.
3. Stäng bränslekranen (A) om sådan finns (fig. 4).
4. Ställ gasreglaget (B) på fullgas . Kör motorn på fullgas .
5. Dra ut chokereglaget (C), om sådant finns.

*Anm.:* Flera startförsök med choken i läge krävs vid start när bränslesystemet är tomt, (första gången motorn startas eller om man kört slut på bränslet). Bränslepumpen fyller då på bränslesystemet.

6. Tryck stoppknappen (D), om sådant finns, till läge on.
7. Vrid startkontakten (E) till läge on/start (fig. 4).
8. För choken (C) till körläge om motorn tändes men inte fortsätter att gå.

**MÄRK:** Gör korta startförsök (högst fem sekunder) så håller starmotorn längre. Vänta en minut mellan startförsöken.

*Anm.:* Gå in på [VanguardEngines.com](http://VanguardEngines.com) eller ring 1-800-999-9333 (i USA) om inte motorn startar på upprepat försök.

9. För choken (C) till läge run när motorn värms upp.

## Avstängning av motorn - fig. 4



## VARNING



**Bränsle och dess ångor är ytterst antändbara och explosiva. Brand och explosion kan orsaka svåra brännskador eller dödsfall.**



- Choka inte förgasaren för att stoppa motorn.

1. För gasreglaget till tomgångsläge, vrid av tändningsnyckeln (E) (fig. 4). Ta ur nyckeln och förvara den säkert och utom räckhåll för barn.
2. Tryck stoppknappen (D), om sådan finns, till läge off.
3. Stäng bränslekranen (A), om sådan finns, när motorn stannat.

## Underhåll

Vi rekommenderar att du tar kontakt med en auktoriserad Briggs & Stratton-verkstad för underhåll och reparation av motorn och dess delar.

**MÄRK:** För att motorn ska arbeta rätt, måste alla de komponenter som använts för att bygga den sitta kvar. peration.



**VARNING:** Vid underhåll som kräver tippning av maskinen måste bränsletanken måste vara tom, annars kan bränsle läcka ut och orsaka brand eller explosion.

## Utsläppskontroll

**Underhåll, byte och reparation av avgasreningskomponenter kan utföras av alla verkstäder.** För att få "gratis" service av avgasreningen måste den utföras vid en verkstad som auktoriserats av fabriken. Se avgasreningssgarantin.



## VARNING



**Oavsiktliga gnistor kan resultera i brand eller stötar.**



**Oavsiktlig start kan resultera i intrassling, skärskador eller amputation. Brandrisk**



### Före justering eller reparation

- Lossa tändstiftkabeln och håll den på avstånd från tändstiftet.
- Koppla bort batteriet vid minuspolen (endast motorer med elstart).
- Använd endast rätta verktyg.
- Justera inte regulatorfjädrar, länkar eller andra delar för att höja motorvarvtalet.
- Utbytesdelar ska ha samma utformning och installeras på samma plats som originaldelarna. Delar av annat fabrikat fungerar eventuellt inte lika bra, kan skada maskinen och leda till skador.
- Slå inte på svänghjulet med hammare eller hårt föremål, eftersom svänghjulet då kan splittras under gång.

### Vid kontroll av tändningssystem:

- Använd godkänd gnistprovare.
- Testa inte gnistan med tändstiftet demonterat.

## Underhållsschema

### Första 5 timmarna

- Byt olja

### Var 8:e timme eller dagligen

- Kontrollera oljenivån i motorn.
- Rengör området runt ljuddämparen och reglagen

### Var 100:e timme eller en gång per år

- Rengör eller byt ut luftfiltret \* ▲
- Byt olja och oljefilter
- Rengör förrenaren (i förekommande fall) \*
- Byt ut tändstiftet
- Inspektera ljuddämparen och gnistskyddet

### Var 250:e timme eller en gång per år

- Kontrollera ventilspelet. Justera vid behov.

### Var 400:e timme eller en gång per år

- Byt luftfilter ▲
- Byt bränslefilter
- Rengör luftkylsystemet \*
- Rengör oljekylarflänsarna \*

### Var 600:e timme eller en gång per år

- Byt säkerhetsfilter (i förekommande fall)

\* Rengör oftare i dammiga miljöer och där det finns luftburet skräp.

▲ Byt ut det inre säkerhetsfiltret (om sådant finns) vid vart tredje filterbyte.

## Justering av förgasare och motorvarvtal

Justera aldrig förgasare eller motorvarvtal. Förgasaren inställdes på fabriken att arbeta effektivt under de flesta förhållanden. Mixra inte med regulatorfjäders, länkarna eller andra delar för att ändra varvtalet. Om justeringar fordras, kontakta en auktoriserad Briggs & Stratton-verkstad för service.

**MÅRK:** Maskintillverkaren specificerar maxvarvtalet för den motor som är monterad på maskinen. **Overskrid inte** detta varvtal. Om du är osäker på vad maskinens maxvarvtal är, eller vilket varvtalet som ställts in på fabriken, kontakta en auktoriserad Briggs & Stratton-verkstad för hjälp. För säker och korrekt drift av maskinen får motorvarvtalet endast justeras av en behörig mekaniker.

## Byte av tändstift - fig. 5

Byt tändstift varje år. Kontrollera elektrodgapet (A, fig. 5) med ett bladmått (B). Justera vid behov. Skruva in och dra åt tändstiftet till rekommenderat moment, se avsnittet **Tekniska data**.

*Anm.:* I vissa områden fordrar den lokala lagstiftningen avstörda tändstift för att undertrycka tändsignaler. Om denna motor ursprungligen utrustats med avstört tändstift, bör samma typ av tändstift användas vid byte.

## Inspektion av ljuddämpare och gnistskydd - fig. 6



### VARNING



Gående motorer producerar värme. Motordelar, speciellt ljuddämpare, blir mycket varma.



Svåra brännskador kan inträffa vid beröring.

Brännbart skräp, som t.ex. löv, gräs, buskar, etc. kan börja brinna.

- Låt ljuddämpare, motorcylinder och flänsar svalna innan du rör dem.
- Avlägsna ansamlad skräp från ljuddämpar- och cylinderområdet.
- Det är ett brott mot California Public Resource Code, avsnitt 4442, att använda och köra motorer i skog, buskage och på gräsbevuxna marker om avgassystemet inte är försedd med en gnistsläckare, enligt definitionen i avsnitt 4442, som är i funktionsdugligt skick. Liknande lagar kan gälla i andra stater och länder. Kontakta maskintillverkaren, grossisten eller återförsäljaren för att skaffa ett gnistskydd konstruerat för det avgassystem som är monterat på denna motor.

Avlägsna ansamlad skräp från ljuddämpar- och cylinderområdet. Inspektera ljuddämparen (A, fig. 6) för sprickor, korrosion och andra skador. Ta av flamskyddet (B), i förekommande fall, och kontrollera om det är skadat eller igensatt av sot. Om skador påträffas, installera utbytesdelar före användning.



**VARNING:** Utbytesdelar ska ha samma utformning och installeras på samma plats som originaldelarna. Delar av annat fabrikat fungerar eventuellt inte lika bra, kan skada maskinen och leda till skador.

## Oljebyte - fig. 7

Gammal olja är en farlig avfallsprodukt. Bortskaffa använd olja på rätt sätt. Släng den inte tillsammans med hushållsavfall. Rådgör med lokala myndigheter, servicecenter eller handlare.

### Uttappning av olja

1. Motorn ska vara avstängd men varm. Lossa tändkabeln (A) och se till att den inte kommer i kontakt med tändstiftet (fig. 7).
2. Skruva ur oljepluggen (B). Tappa ur oljan i lämpligt kärl.
3. Sätt tillbaka och dra åt oljepluggen när oljan runnit ut.

### Byta oljefilter

Alla modeller är försedda med oljefilter. Bytesintervallen anges i tabellen **Underhåll**.

1. Tappa ur oljan ur motorn. Se avsnittet **Byta olja**.
2. Ta bort oljefiltret (C, fig. 7) och lämna in det för återvinning.
3. Olja in packningen på filtret med ny och ren olja innan du monterar det.
4. Skruva på filtret med handen tills packningen tar i fästet och dra sedan åt 1/2 till 3/4 varv.
5. Fyll på olja. Se avsnittet **Fylla på olja** section.
6. Starta och kör motorn. Kontrollera om det läcker någonstans medan den värms upp.
7. Stanna motorn och kontrollera oljenivån. Oljan ska stå vid den övre delen av full-markeringen (F) på stickan.

### Fyll på olja

- Sätt motorn i vågrätt läge.
- Avlägsna skräp från oljerörsområdet.

- Oljevolymer finns angiven i avsnittet **Tekniska data**.

1. Ta ur oljestickan (D, fig. 7) och troka av den med en ren trasa.
2. Håll sakta i olja genom påfyllningsröret (E). **Fyll inte i för mycket.** Vänta en minut efter påfyllningen och kontrollera sedan oljenivån.
3. Sätt i och dra åt oljestickan.
4. Ta ut oljestickan och kontrollera nivån. Oljan ska stå vid den övre delen av full-markeringen (F) på stickan.
5. Sätt i och dra åt oljestickan.

## Rengöring av luftfilter - fig. 8 9



### VARNING



Bränsle och dess ångor är ytterst antändbara och explosiva. Brand och explosion kan orsaka svåra brännskador eller dödsfall.



- Starta och kör aldrig motorn med luftrenaren (i förekommande fall) eller luftfiltret (i förekommande fall) borttaget.

**MÅRK:** Använd inte tryckluft eller lösningsmedel för att rengöra filtret. Tryckluft kan skada filtret, lösningsmedel löser upp det.

Luftfiltret är endera ett cyklonfilter eller ett lågprofilfilter. Servicebehoven beskrivs i tabellen **Underhåll**.

### Cyklonfilter

1. Öppna hakarna (A) och ta bort kåpan (B). Se fig. 8.
2. Ta bort luftfiltret (C).
3. Knacka försiktigt filtret mot en hård yta så att skräp lossnar. Byt till ett nytt filter om det är mycket smutsigt.
4. Cyklonluftfiltret har också ett säkerhetsfilter (D) (i förekommande fall). Servicebehoven beskrivs i tabellen **Underhåll**. Dra försiktigt bort säkerhetsfiltret från luftrenaren (E) och kasta bort det. Var försiktig så att det inte kommer in smuts och skräp i motorn.
5. Sätt i det nya säkerhetsfiltret i luftrenaren.
6. Montera luftfiltret över säkerhetsfiltret.
7. Sätt på kåpan och stäng hakarna.

### Lågprofilluftfilter

1. Skruva bort vredet (F) och ta bort kåpan (G). Se fig. 9.
2. Skruva bort muttern (H) och ta bort hållaren (J).
3. Ta bort luftfiltret (K).
4. Ta i förekommande fall bort förfiltret (L) från luftfiltret.
5. Knacka försiktigt filtret mot en hård yta så att skräp lossnar. Byt till ett nytt filter om det är mycket smutsigt.
6. Tvätta förfiltret i flytande diskmedel och vatten. Låt det lufttorka ordentligt. Olja **inte** in förfiltret.
7. Montera det torra förfiltret på luftfiltret
8. Montera luftfiltret och sätt fast med hållaren och muttern.
9. Montera luftrenarkåpan och fäst med vredet.

## Rengöring av luftkylsystem - fig. 11 12



### VARNING



Gående motorer producerar värme. Motordelar, speciellt ljuddämpare, blir mycket varma.



Svåra brännskador kan inträffa vid beröring.

Brännbart skräp, som t.ex. löv, gräs, buskar, etc. kan börja brinna.

- Låt ljuddämpare, motorcylinder och flänsar svalna innan du rör dem.
- Avlägsna ansamlad skräp från ljuddämpar- och cylinderområdet.

**MÅRK:** Rengör inte motorn med vatten. Vatten kan förorena bränslesystemet. Använd i stället en borste eller torr trasa.

Motorn är luftkyld. Skräp och smuts kan hindra luftflödet och orsaka att motorn överhettas, vilket ger sämre prestanda och förkortar livslängden.

Borsta bort skräp från fingerskyddet (A, fig. 11). Håll länkage, fjädrar och reglage (B) rena. Håll området omkring och bakom ljuddämparen (C) rent från brännbart skräp. Se till att oljekylarkylflänsarna (D) är rena.

Rengör området under plåten (E, fig. 12). Lossa de två skruvarna (F) tills du hör ett klick. Ta bort plåten och rensa bort smuts och skräp. Kontrollera också att undersidan på plåten är ren. Montera plåten och dra åt skruvarna tills det klickar.

## Byta bränslefilter - fig. 10



### VARNING



Bränsle och dess ångor är ytterst antändbara och explosiva.  
Brand och explosion kan orsaka svåra brännskador eller dödsfall.

- Håll bränsle på avstånd från gnistor, flammor, tändlågor, värme och andra antändningskällor.
- Kontrollera regelbundet bränsleslangar, tank, tanklock och kopplingar för sprickor eller läckor. Byt ut vid behov.
- Tappa ur tanken eller stäng bensinkranen innan du byter bränslefilter.
- Utbytesdelar måste vara de samma och installeras i samma position som originaldelarna.
- Vid bensinspill, vänta tills bensinen dunstat bort innan du startar motorn.

1. Tappa ur bränsletanken eller stäng bränslekranen innan du i förekommande fall byter bränslefilter (A, fig. 10). Bränsle kan annars läcka ut och orsaka brand eller explosion.
2. Kläm ihop flikarna (B) på klämmorna (C) med en tång och dra bort klämmorna från bränslefiltret. Vrid och dra av bränsleslangarna (D) från filtret.
3. Undersök om bränsleslangar och kopplingar har sprickor eller läckor. Byt ut efter behov.
4. Använd en originalreservdel om du byter ut bränslefiltret.
5. Fäst slangarna med klämmorna som på bilden.

## Förvaring



### VARNING



Bränsle och dess ångor är ytterst antändbara och explosiva.  
Brand och explosion kan orsaka svåra brännskador eller dödsfall.



#### Vid förvaring av bränsle eller maskin med bränsle i tanken

- Förvara på avstånd från ugnar, brännare, vattenvärmare och andra apparater med tändlågor eller andra tändkällor, då sådana kan antända bränsleångor.

### Bränslesystem

Bränsle kan bli för gammalt om det lagras längre än en månad. Gammalt bränsle bildar syra och beckbeläggningar i bränslesystemet och på viktiga förgasardelar. Håll bränslet färskt med **Briggs & Stratton Advanced Formula Fuel Treatment & Stabilizer**, som finns att tillgå överallt där Briggs & Stratton originaldelar säljs.

För motorer försedda med tanklocket FRESH START®, använd **Briggs & Stratton FRESH START®** som finns i koncentrerad form i droppatron.

Bensinen behöver inte tappas ut ur motorn om en bränsletillsats hällts på enligt anvisningarna. Kör motorn i två minuter så att tillsatsen fördelas i bränslesystemet före förvaring.

Om bensinen inte blandats med en bränsletillsats, måste den tappas ut i ett godkänt kärl. Kör motorn tills den stannar p.g.a. bränslebrist. Vi rekommenderar att du håller i en bränsletillsats i dunken där bensinen lagras, så att den hålls färsk.

### Motorolja

Byt olja medan motorn fortfarande är varm.

### Felsökning

Behöver du hjälp? Gå in på [VanguardEngines.com](http://VanguardEngines.com) eller ring **1-800-999-9333** (i USA).

## Specifikationer

Motorspecifikationer	
Modell	540000
Slagvolym	896 cm <sup>3</sup>
Diameter	85,5 mm
Slaglängd	78,0 mm
Oljevolym	2,3 - 2,4 l

Motorspecifikationer	
Modell	610000
Slagvolym	993 cm <sup>3</sup>
Diameter	85,5 mm
Slaglängd	86,5 mm
Oljevolym	2,3 - 2,4 l

Finjusteringsspecifikationer *	
Modell	540000
Tändstiftsgap	0,76 mm
Åtdragningsmoment, tändstift	20 Nm
Luftgap	0,13 - 0,20 mm
Intake Valve Clearance	0,10 - 0,15 mm
Spel, avgasventil	0,10 - 0,15 mm

Finjusteringsspecifikationer *	
Modell	610000
Tändstiftsgap	0,76 mm
Åtdragningsmoment, tändstift	20 Nm
Luftgap	0,13 - 0,20 mm
Intake Valve Clearance	0,10 - 0,15 mm
Spel, avgasventil	0,10 - 0,15 mm

\* Motoreffekten minskar 3,5 % för varje 300 meter över havsytan och 1 % för varje 5,6° C över 25° C. Motorn arbetar tillfredsställande i en vinkel på upp till 15°. Se maskinens instruktionsbok för säkra driftgränser på sluttningar.

### Vanliga utbytesdelar ✓

Utbytesdel	Artikelnr
Cyklonluftfilter	841497
Cyklonsäkerhetsfilter	821136
Lågprofilluftfilter	692519
Lågprofilförfrenare	692520
Olja - SAE 30	100028
Oljefilter	842921

Utbytesdel	Artikelnr
Bränslefilter	691035
Bränsletillsats	5041, 5058
Avstört tändstift	491055
Platina- tändstift med lång livslängd	5066
Tändstiftsnyckel	19374
Gnistprovare	19368

✓ Vi rekommenderar att du tar kontakt med en auktoriserad Briggs & Stratton-verkstad för underhåll och reparation av motorn och dess delar.

## BEGRÄNSAD GARANTI

Briggs & Stratton garanterar att vi, under nedan specificerade period, kostnadsfritt byter ut eller reparerar delar som är defekta i material eller utförande, eller båda delarna. Fraktkostnader för produkter, som sänds in för reparation eller utbyte under denna garanti, bekostas av köparen. Denna garanti gäller under nedanstående tidsperiod och med nedanstående villkor. För garantireparation kontaktas närmaste auktoriserade verkstad som återfinns på vår lokalisatorkarta på BRIGGSandSTRATTON.COM. Köparen skall kontakta den auktoriserade verkstaden och sedan ställa produkten till förfogande för inspektion och provning.

**Annat uttrycklig garanti lämnas inte. Underförstådda garantier, inklusive sådana som avser säljbarhet och lämplighet för ett speciellt ändamål, begränsas till ett år från inköpet eller till lagligt tillåten utsträckning och alla andra underförstådda garantier betraktas som ogiltiga. Vi ansvarar inte för följskador enligt någon form av garanti, om sådant undantag kan göras enligt lag.** Vissa länder eller delstater medger inte begränsning av hur länge en underförstådd garanti gäller och vissa tillåter inte undantagande eller begränsning av ansvaret för följskador, så ovanstående gäller därför inte alla köpare. Denna garanti ger specifika legala rättigheter, men det kan även finnas andra rättigheter som varierar från land till land och stat till stat\*\*.

## STANDARD GARANTIVILLKOR \* ▲

Märke/Produkttyp	Privatbruk	Kommersiell användning
Vanguard™ ■	3 år	3 år
Commercial Turf-serien™	2 år	2 år
Extended Life-serien™; I/C®; Intek™ I/C®; Intek™ Pro;™ Professional-serien™ med Dura-Bore™ gjutjärnsfoder; 850-serien™ med Dura-Bore™ gjutjärnsfoder; Snow-serien MAX™ med Dura-Bore™ gjutjärnsfoder Alla andra Briggs & Stratton-motorer med Dura-Bore™ gjutjärnsfoder	2 år	1 år
Alla andra Briggs & Stratton-motorer	2 år	90 dagar

\* Dessa är våra standardvillkor, men ibland föreligger även annan garantitäckning som inte var fastställd vid utgivningstillfället. För en förteckning över aktuella garantivillkor för din motor, gå till BRIGGSandSTRATTON.COM eller kontakta den auktoriserade Briggs & Stratton-återförsäljaren.

\*\* I Australien - Våra produkter har garantier som inte kan exkluderas under Australiens konsumentlag. Du har rätt till utbyte eller återbetalning för större fel och ersättning för annan skäligen förutsebar förlust eller skada. Du har även rätt till att få produkten reparerad eller utbytt om den inte är av godtagbar kvalitet och felet inte utgör ett större fel. För garantireparation, kontakta närmaste auktoriserade verkstad som återfinns på vår lokalisatorkarta på BRIGGSandSTRATTON.COM, eller ring 1300 274 447, e-posta salesenquiries@briggsandstratton.com.au eller skriv till Briggs & Stratton Australia Pty Ltd, 1 Moorebank Avenue, Moorebank, NSW, Australien, 2170.

▲ Motorer som används i reservelverk för hemmet: 2 års garanti vid privat användning. Ingen garanti vid yrkesmässig användning. Denna garanti gäller inte för motorer på maskiner som används för huvudström i stället för hushållsström. **Motorer som används i tävlings syfte eller på tävlingsbanor täcks inte av garantin.**

■ Vanguard installerad i reservelverk: 2 års garanti vid privat användning, ingen garanti vid yrkesmässig användning. Vanguard installerad i nyttofordon: 2 år vid privat och yrkesmässig användning. Vanguard 3-cylindriga, vattenkylda motorer: se garantivillkoren för Briggs & Stratton 3/LC.

Garanti perioden börjar den dag den första konsumenten eller kommersiella slutanvändaren köper motorn och löper under den tidsperiod som uppges i ovanstående tabell. Med "privat användning" avses en konsumentens privata användning i hushållet. Med "kommersiell användning" avses all annan användning, inklusive användning i kommersiellt, inkomstbringande och uthyrningssyfte. En motor som en gång har använts kommersiellt, ska därefter alltid betraktas som kommersiell i samband med denna garanti.

**Garantiregistreringskort fordras inte för garantireparationer på Briggs & Stratton-produkter. Spara inköpskvittot. Om inköpskvittot inte kan uppvisas vid yrkan på garantireparation, kommer produktens tillverkningsdatum att användas för att bestämma garanti perioden.**

## Angående garantin

Briggs & Stratton välkomnar möjligheten att utföra garantireparationer och ursäktar sig för olägenheten. Garantireparationer kan utföras på vilken som helst av våra auktoriserade verkstäder. I de flesta fall handläggs garantireklamationer rutinemässigt men i vissa fall är garantireparationer inte berättigade. För att undvika missförstånd mellan kund och återförsäljare, upptas nedan några motorfel som inte täcks av garantin.

**Normal förslitning:** För att arbeta tillfredsställande behöver motorer, precis som alla andra mekaniska anordningar, periodisk service och utbyte av delar. Garantin täcker inte reparation av en del eller en motor p.g.a. normal förslitning. Garantin gäller t.ex. inte när motorskador uppstått p.g.a. felaktig användning, brist på rutinunderhåll, frakt, hantering, magasinering eller felaktig montering. Likaledes upphävs garantin om motorns serienummer har avlägsnats eller om motorn har byggts om eller modifierats.

**Felaktigt underhåll:** Motorns livslängd beror på de förhållanden under vilka den arbetar och på den vård den får. Motorer som driver jordfräsar, pumpar och gräsklippare arbetar ofta under dammiga och smutsiga förhållanden och slits därför fortare. Sådant slitage som vållats av smuts, damm, sand från tändstiftsblästring och liknande föroreningar som trängt in i motorn på grund av felaktigt underhåll, täcks inte av garantin.

**Denna garanti täcker endast motorrelaterat defekt material och/eller utförande och täcker inte utbyte av eller ersättning för den maskin på vilken motorn kan vara monterad. Garantin täcker inte heller sådana reparationer som fordras p g a:**

- 1 Problem orsakade av delar som inte är Briggs & Stratton originaldelar.
- 2 Maskinreglage eller montage som förhindrar start, orsakar otillfredsställande motoreffekt eller förkortar motorns livslängd. (Kontakta maskintillverkaren.)
- 3 Läckande förgasare, igentäppta bränslerör, fastnade ventiler eller andra skador orsakade av förorenat eller gammalt bränsle.

- 4 Delar som är brända eller trasiga därför att motorn har körts med för lite eller förorenad olja, eller olja av fel sort (kontrollera oljenivån och fyll vid behov på, och byt olja med rekommenderade mellanrum). OIL GARD stänger eventuellt inte av en gående motor. Motorn kan skadas om oljenivån är för låg.
- 5 Reparation eller justering av tillbehör, som t.ex. kopplingar, växellådor, fjärreglage, etc., som inte är av Briggs & Stratton-fabrikat.
- 6 Skador och förslitning på delar som vållats av att smuts trängt in i motorn på grund av felaktigt underhåll eller ihopsättning av luftrenaren eller användning av icke-originalfilter eller -patron. Rengör och/eller byt ut filtret med de rekommenderade intervall som anges i instruktionsboken.
- 7 Delar som skadats av rusning eller överhettning orsakad av att kylflänsarna och området runt svänghjulet satts igen av smuts, gräs eller skräp, eller av att motorn körts i ett slutet utrymme med otillräcklig ventilation. Avlägsna motorskräp med de rekommenderade intervall som anges i instruktionsboken.
- 8 Motor- eller maskindelar som gått sönder på grund av kraftiga vibrationer orsakade av lösa motorfästen, lösa skärblad, obalanserade blad eller lösa eller obalanserade rotor, felaktig festsättning av maskinen på motorns vevaxel, rusning eller ovarsamhet vid körning.
- 9 Krokig eller avbruten vevaxel som orsakats av att ett fast föremål träffat skärbladen på en gräsklippare, eller för hårt spänd V-rem.
- 10 Rutintrimming eller -justering av motorn.
- 11 Motorhaveri eller fel på motorkomponenter, t.ex. förbränningsrum, ventiler, ventilisäten, ventilstyrningar eller brända startmotorlindningar, som orsakats av att motorn körts med alternativa bränslen som t.ex. gasol, naturgas, bensin med högre etanolinblandning än 10 % etc.

**Garantireparationer utförs endast på auktoriserade Briggs & Stratton-verkstäder. Närmaste auktoriserade verkstad hittar du på vår lokalisatorkarta på BRIGGSandSTRATTON.com eller genom att ringa Briggs & Stratton Sweden AB på 08/449 56 30.**