

User Manual

Index

I. Cautions.....	6
1 Safety Information	6
1.1 Traffic Safety First	6
1.2 Turn Off in Hospital.....	6
1.3 Turn Off in Airplane	6
1.4 Turn Off When Refueling.....	6
1.5 Turn Off near Blasting Sites	6
2 Cautions on Mobile Phone Use	6
2.1 Interference	6
2.2 Reasonable Use.....	6
2.3 Qualified Maintenance Service.....	6
2.4 Water-Resistance	6
2.5 Emergency Calls	6
3 Precautions for use of Battery	7
4 Cautions for Children.....	7
II. Keys and Parts.....	7
1 Battery	8
1.1 Remove/Insert the Battery	8
1.2 Charge the Battery.....	9
2 Connecting to Network	10
2.1 SIM Card	10
2.2 Insert and Remove the SIM Card.....	10
2.3 Insert/Remove the Memory Card.	10
2.4 Switch ON/OFF.....	11
2.5 Unlock SIM Card	11
2.6 Connection to Network.....	12
IV. Basic Functions.....	12
1 Make calls.....	12
1.1 Make Domestic Calls	12
1.2 Call Extension Phone	12
1.3 Make International Calls	13
1.4 Make Listed Calls	13
2 Emergency Calls	13
3 Answer Calls	14
4 Call History	14
5 Connection Option	14

V. Function Menu Instruction	15
1. TELCEL.....	15
2. iClaro.....	15
3.Ideas	15
4.iApps.....	15
5. Music	15
6.Portal Móvil.....	16
7.MSNGR	16
8.Ideasmusik	16
9.Videos.....	16
10. Camera	17
11. File Explorer	17
12.Plugger	17
13.iJuegos.....	17
14.Google Search	17
15. Settings.....	18
15.1 Wireless & networks	18
15.2.1 Bluetooth	18
15.3 Call settings.....	18
15.4 Audio profiles.....	18
15.5 Display	18
15.6 Location.....	18
15.7 Security	18
15.8 Applications	19
15.9 Accounts & Sync	19
15.10 Privacy	19
15.11 Storage	19
15.12 Language & keyboard.....	19
15.13 Voice Input & output.....	19
15.14 Accessibility	20
15.15 Date & time.....	20
15.16 Schedule power on/off	20
15.17 About phone	20
16.iRadio.....	20
17.iVideo	20
18.Mi Claro	20
19.Buscar.....	20

20.iTv.....	20
21 Calculator	20
22. Calendar	21
23. Call Log	21
24. Clock	21
24. New Alarm	21
25. Contacts.....	21
26. Downloads	21
27 .Flashlight	21
28. Gallery	22
29.Gmail	22
30.iClubes	22
31.Ideportes	22
32 ilimagenes	22
33.Ipromocion.....	22
34.iTonos	22
35. Latitude	22
36.Play store.....	22
37.Maps.....	23
38. Messaging	23
38.1 Compose new message.....	23
38.2 Message Setting.....	23
39. Navigation	23
40 Navigator	23
41 Notes	23
42.Phone	23
43. Places.....	24
44. Process Manager	24
45. Radio FM	24
46.Diamond Twister 2.....	25
47.Asphalt6:Adrenaline	25
48. YouTube.....	25
49. Sound Recorder	25
50.Talk.....	26
51.Video wallpaper	26
52.Voice Search	26
53 Windows Live.....	26

54.Wireless Keyboard	26
VI. Input	26
VII. Quick Start Guide	26

I. Cautions

Please read the concise rules. The breach of the rules may result in danger or violation of law.

1 Safety Information

1.1 Traffic Safety First

Please use the mobile phone carefully when you drive a car. Park your car at roadside and then use the mobile phone if the driving condition is bad.

1.2 Turn Off in Hospital

Please abide by relevant provisions or regulations. Please turn off your mobile phone near medical equipment.

1.3 Turn Off in Airplane

Wireless equipment has disturbance in the airplane, so the use of the mobile phone in airplane is dangerous and illegal.

1.4 Turn Off When Refueling

Please don't use the mobile phone in gas station or near fuels or chemicals.

1.5 Turn Off near Blasting Sites

Don't use the mobile phone in blasting sites. Please observe relevant restrictions and carry out rules or regulations.

2 Cautions on Mobile Phone Use

2.1 Interference

All phones may be interfered, which affect phone calls.

2.2 Reasonable Use

Use only in the normal position. Do not touch the antenna area unnecessarily.

2.3 Qualified Maintenance Service

Only qualified personnel may install or repair this product.

2.4 Water-Resistance

Your device is not water resistant. Keep it dry.

2.5 Emergency Calls

Ensure the phone is switched on and in service. Enter the emergency number and press the Dial icon.

3 Precautions for use of Battery

3.1 Do not dispose of batteries near or in a fire to avoid dangers.

3.2 Do not dispose of batteries in the garbage. Dispose of batteries to assigned battery recycling center.

4 Cautions for Children

Keep your device out the reach of children in case of accidental injury caused by incorrect use of the device as toys.

II. Keys and Parts



➤ **Home Key**

Press Home key at a non- standby screen to go back to standby screen

➤ **Volume +/- Key**

Press Volume Up/Down key to change the volume.

➤ **Menu Key**

Press Menu key to add/manage applications, wallpapers, search, notifications ,Preferences and settings.

➤ **Back Key**

Press Back key to go back to previous menu

III. Start to Use

1 Battery

The battery which is initially 50% charged can be used immediately. Please fully charge/discharge the battery for the first three times to get maximum capacity.

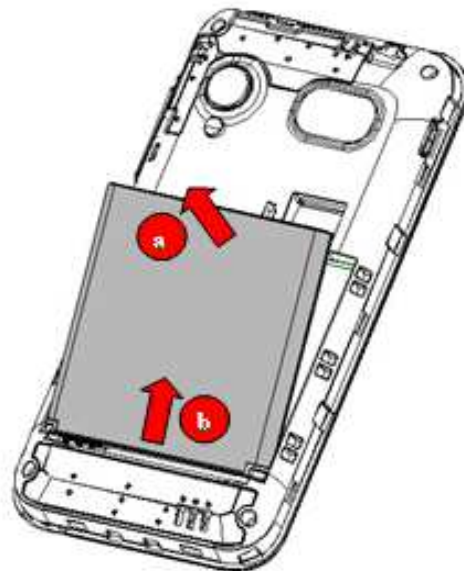
1.1 Remove/Insert the Battery

Follow the following steps to remove:

A Opening the back cover by the gap at its upper left side.

B Lift up the battery bottom at its upper side in the direction of the arrow.

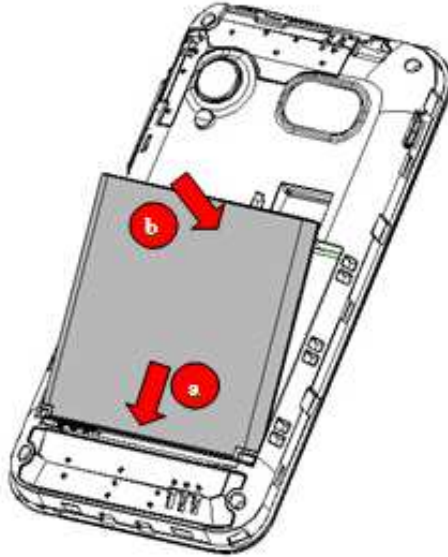
C Close the back cover.



Follow the following steps to install:

A Align the metal contacts of the battery with the metal contacts in the battery compartment as per the direction of the arrow, press the battery bottom into the compartment.

B Put on the battery cover in a parallel way until it is completely matched.



1.2 Charge the Battery

During charging, the battery indicator on the phone is a thunder icon. If the device is switched off during the charge, there will still be a charge indication on the screen that shows the phone is still being charged. If the device is overused when the battery is low, it might take some time to appear the charging icon.

When the battery indicator on the screen says 'fully charged', then thunder icon will disappear, which means the completion of charging. If the phone is switched off during charging, the screen will have a 'fully charged' scene. It generally takes 4 hours to charge the battery. During charging, the battery, the device and the charger will get hot. This is normal.

Unplug the charger from the AC electrical outlet and disconnect the wiring between the phone and the charger after charging. .

Attention: Charge the phone in a well ventilated place in which the temperature is from -10°C to $+55^{\circ}\text{C}$. Use the charger provided by the manufacturer only. The use of unconfirmed charger may lead to dangers and violate the manufacturer's warranty clause. If the temperature is too high or too low during the charge, the device will automatically send a warning and stop charging to avoid damage to the battery or any danger.

2 Connecting to Network

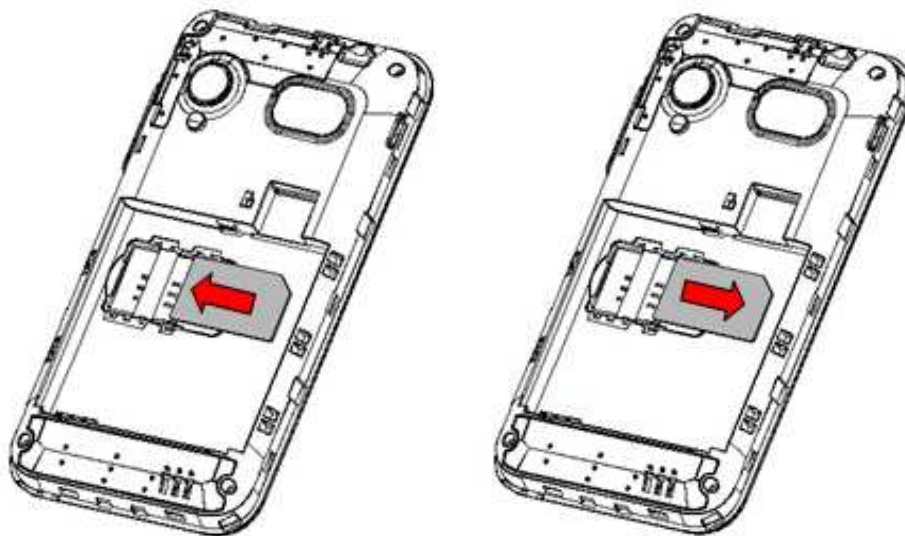
2.1 SIM Card

Insert valid SIM card (subscriber identity module) before using the device.

All information related to the reach of the network is recorded in the chip of SIM card, including the name, phone number and messages stored in the SIM card contacts. In case of losing or damaging SIM card information, users should avoid touching the metal touching side and keep SIM card away from electrical and magnetic field.

2.2 Insert and Remove the SIM Card

- Switch off the device, and remove the battery and other external power supply.
- Insert the SIM card into the card slot as the picture indicated.
- Please switch off the phone and remove the battery before removing the SIM card.



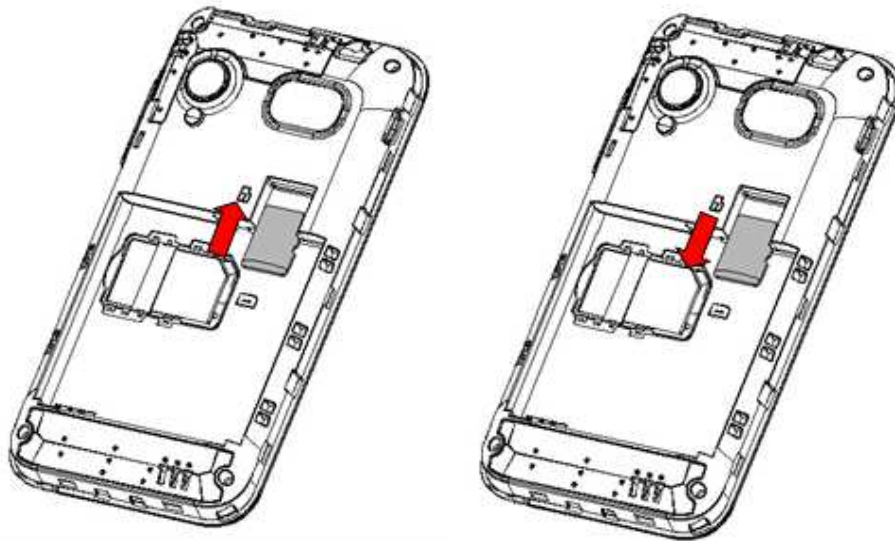
Warning: Damages could happen to your SIM card if the device is not switched off when taking out of the SIM card.

2.3 Insert/Remove the Memory Card.

- Switch off the handset.
- Insert the memory card into the slot and lock the slot as indicated in the picture.

Attention: This handset doesn't support the hot-swap of T card.

When you need to take out of the inserted card , please switch off the device before taking out of the memory card.



2.4 Switch ON/OFF

Do a long press the Switch on/off key to switch on/off the phone.

After inserting the SIM card, the screen will show the notes in the following order when the phone is switched on:

Type in PIN— if you have already set the SIM code.

Search— The handset will be searching for proper network connection.

2.5 Unlock SIM Card

To avoid illegal use, the SIM card is enciphered with PIN (personal identification number) as a protection. When this function is ON and you have already set a PIN code, you need to type in PIN code every time, the handset is switched on in order to unlock SIM card and use the handset.

You can turn off the SIM PIN code. Yet in this situation, the SIM card can't prevent illegal use.

■ Input PIN code, press arrowhead icon to erase typing error and press OK to end typing. For example, if the PIN code is set as 1234, then type "1234" then press OK.

The SIM card will be locked if you type in wrong code for three times continuously. The handset will inform you to type in PUK code.

Attention: Your network provider will set a standard PIN code (four

to eight numbers) for your SIM card. It is recommended that you change the code into a personal code as soon as possible.

2.6 Connection to Network

When the SIM card is successfully unlocked, the handset will automatically search for available network (the lock screen shows searching). The handset will show the information of the network provider, the status bar will show the signal strength and the network condition once the handset is successfully connected to a network.

Attention: If the lock screens shows "Emergency", it means that you're out of network coverage (service coverage) or your card is not valid, yet you can still have emergency calls based on signal strength.

IV. Basic Functions

1 Make calls

When the network provider icon appears on the standby screen, you can call out or answer calls. The indicator on the upper right part shall show the signal strength.

Quality of connection will be greatly influenced by obstructions. So movement in a small range may effectively improve the quality of connection.

1.1 Make Domestic Calls

Use virtual keyboard to enter phone numbers and then press Dial icon to call. If you need to change the phone number, please press the delete key on the touch screen to delete. When the call is answered, the screen shall show the connection status.

1.2 Call Extension Phone

Some of the extension phones can't be directly connected to. Use the virtual keyboard, enter switchboard number, open the option menu and choose " Add 2-sec pause", and then dial the extension phone number.

Type in as follows to call extension phone:

Zone description > switchboard number > Add 2-sec pause > extension phone number > call

1.3 Make International Calls

If you need to make an international call, do a long press on the 0 key on the virtual keyboard until there appears the sign "+" for international call prefix, which helps you call from any country even if you don't know the international call prefix of that country.

You can make an international call according to the following typing order: + › country code › complete phone number › dialing icon (type in the prefix code, and then continue to enter the country code and complete phone number). Country code usually follows conventional practice: German is 49, Britain 44, Sweden 46 and so on.

When making international phone calls, the "0" in the city code should be emitted.

1.4 Make Listed Calls

Every dialed and received phone number is recorded in the call history list. Recently dialed, answered and missed phone numbers are chronologically (newest to oldest) listed in the "all" log. You can also choose and check missed, answered and dialed list according to your need.

■ Listed phone numbers can be called out by pressing the respective log.

■ Press the small icon on the right side to enter the details interface of the log. In the call history interface, users can do a long press to save or delete the number. In the details interface, the phone number save function is preset.

2 Emergency Calls

You can call for emergency service as long as you are in the network coverage (check the signal strength indication bar on the upper right side of the handset screen). If your network provider doesn't provide roaming service in this area, there will be "Emergency Calls " on the lock screen. If you are in the network coverage, you can have emergency calls even without a SIM card.

3 Answer Calls

Directly press "answer" key to answer an incoming call. If your headphone is connected to the handset, you can use the headphone key on the headphone answer calls.

Attention: A short press of the headphone key will answer the call while a long one will refused to answer the phone.

4 Call Log

This handset not only can list all calls in reverse chronological order, but also list a floating menu with all, answered, dialed, missed calls for checking call history of different kinds.

5 Connection Option

This option can only be seen during a call. The waiting call, hold call, multi-party call functions require the support of the network. Please contact with the network provider.

In the connection option, you can do the following operations:

■ Mute

Turn on/off Mute. When the mute is ON, the other person can't hear this handset's sound.

■ Hold

Temporarily hold the current one-line call.

■ Speak

Switching hands-free and handheld

■ Contacts

Enter the Contacts menu.

■ Add Call

Enter the dialing screen for a new call.

■ Dialpad

Enter the dialing screen of the current call.

■ End

End the current call.

■ Start recording.

Record the current call.

■ Conference*

In Conference call mode, you answer the incoming call and add

it to the conference in accordance with the instructions; Hold multiparty conference; Have a private conversation with one party and hold other parties' call; Connect one party to the other and end the conference call; Put one party on hold; End current call and all hold on calls.

Attention: Menu items marked by * happen only under certain situations. Users need to apply for opening the conference call functions to relevant service provider.

V. Function Menu Instruction

1. TELCEL

The contents in this menu will differ according to different network providers. For detailed information, please look at the phone.

2. iClaro

When you flicker this icon, you will enter the preset account. In fact, you can set your account by following these steps.

Step 1: enter address and password.

Step 2: select account type, choose OK to connect.

3. Ideas

Flick the ideas icon, it will open the folder, you will see many applications such as MSNGR, Mi Claro, Plugger and so on.

4. iApps

It is a link Flick the icon, it will open the browser to connect the URL which is <http://www.comcel.com.co/wap/ideasapp.wml>

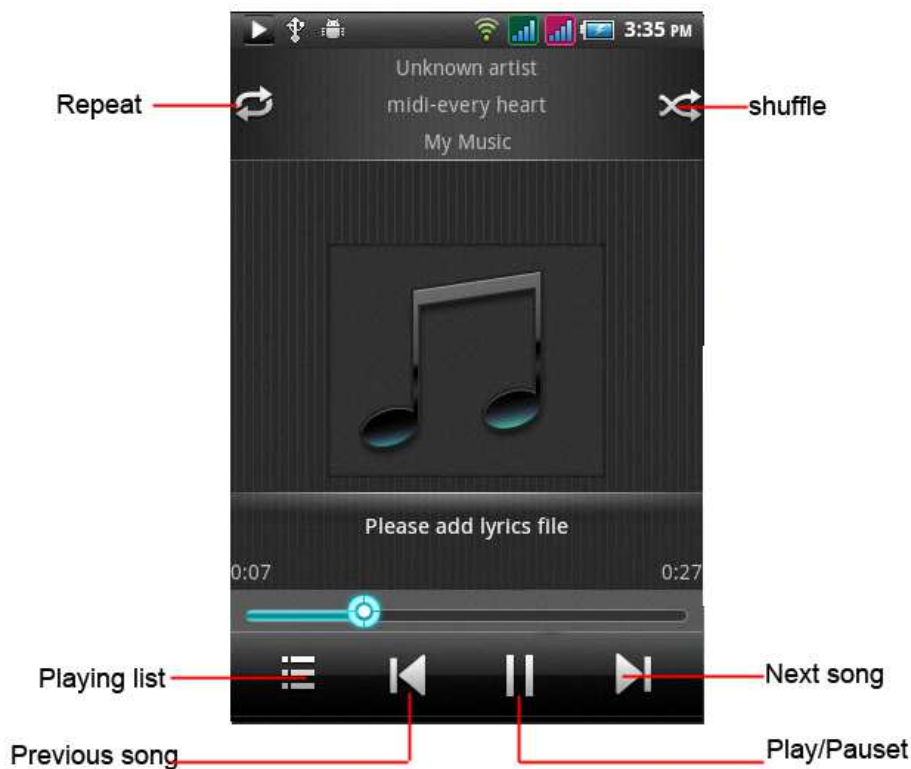
5. Music

Use the Music player to play music files. The songs saved in your SD Card can be played using the Music Player of the device.

- Tap Application Tab to enter Main Menu
- Select Music

The songs are categorized by Artist, Albums and Songs. You can make your favorite playlist by long pressing on a song and selecting Add to Playlist. While listening to the music, you can choose among the various sound effects.

In the playback mode, press menu key, select Sound Effects and choose among the various sound effects, such as Bass, Classical, Hip Hop, Jazz, Pop, Rock etc.



6. Portal Móvil

Flick the ideas icon, it will connect to the link <http://www.comcel.com.co/wap/comcel.wml>

7. MSNGR

Flick the ideas icon, it will connect to the link <http://www.comcel.com.co/wap/msncomcel.wml>

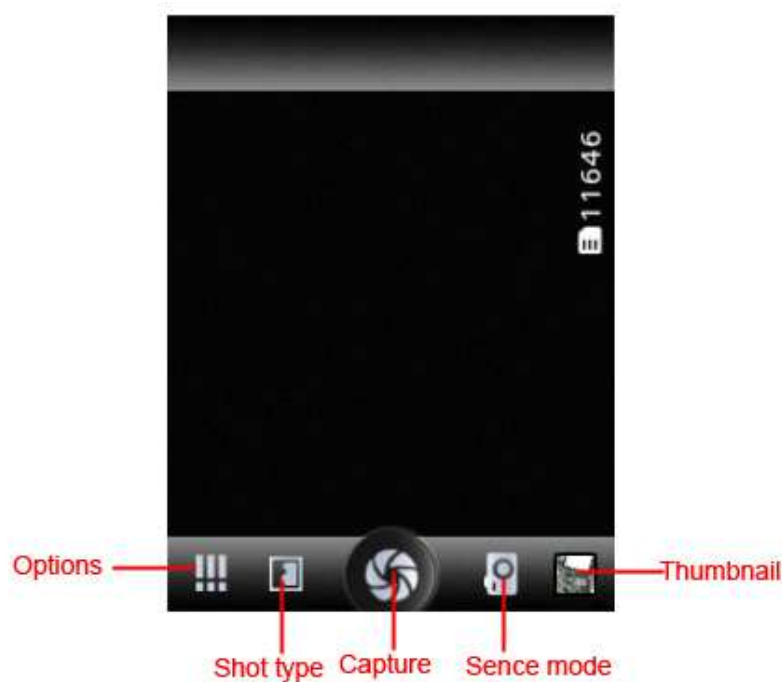
8. Ideasmusik

Flick the ideas icon, it will connect to the link <http://www.comcel.com.co/wap/musicstore.wml>

9. Videos

Play video. Enter the video list, scroll the screen to browse and choose the file you want to play.

10. Camera



Under viewing condition, press the bottom icons to do the following operations. Press the left icon to capture a picture or film a video, scroll the middle icon to switch between camera mode and video mode. The right icon shows the currently captured picture or video.

11. File Manager

You can manage files, including Download, Music, and Received File. Press menu key to create a new folder or select folders to copy, move and delete.

12. Plugger

Plugger is a social network hub that brings together all your favorite social networks like Facebook and Twitter making them easily accessible from your mobile phone.

<http://www.comcel.com.co/wap/redsoical.wml>

13. iJuegos

Tap to link the website—

<http://www.comcel.com.co/wap/juegosgsm.wml>

14. Google Search

Google Search is a web search engine owned by Google Inc. you

can search the world's information, including webpages, images, videos and more.

15. Settings

15.1 Wireless & networks

Change settings for wireless connection and network such as Airplane mode, Wi-Fi, Wi-Fi settings, Bluetooth, Bluetooth settings, Tethering & portable hotspot, VPN settings and Mobile networks.

15.2.1 Bluetooth

To activate Bluetooth, you need to select Bluetooth option.

Bluetooth settings:

1. Bluetooth: Activate/Inactivate Bluetooth.
2. Device name: check and change Device name.
3. Discoverable: others can find your Device if you activate this function.
4. Discoverable timeout: when the discoverable is enabled, this option is available; set how long device will be discoverable.
5. Advanced settings: you can transfer files, select visit authority.
6. Scan for device: Scan and search Device

15.3 Call settings

Change settings of voice call, video call and Internet call, and other settings.

15.4 Audio profiles

Include General, Silent, Meeting and Outdoor. You can also add custom profiles.

15.5 Display

Change settings of brightness, auto-rotate screen, animation and Screen timeout.

15.6 Location

Locate your position through tools like wireless network and GPS satellite.

15.7 Security

Change the settings of screen unlock, SIM card lock, passwords,

device administration and Credential storage.

Screen lock settings:

1. Pattern: unlock the screen through designed pattern. Draw a private pattern to unlock the screen so as to avoid unauthorized use of the handset.
2. PIN: type in PIN numbers to unlock the screen.
3. password: type in code to unlock the screen.

15.8 Applications

Include the management of applications, the condition and development of the currently used service and storage space.

15.9 Accounts & Sync

Include general synchronisation settings and account management. The general synchronization settings include background data and automatic synchronization. You can also choose to add new account. After adding new account, you can do operations like synchronizing the calendar and contacts.

15.10 Privacy

Restore original settings——in this menu, related settings will be restored to original status if you press "Factory data reset". You can also format the SD card. If you select this option, all of the DATA in the SD card will be erased.

15.11 Storage

Include the SD card storage, available storage, insert SD card (If a SD card has already been inserted, then this option will become "Unmount SD card "), format SD card and all available storage in the internal storage space.

15.12 Language & keyboard

Include language settings, keyboard settings, input method and so on.

15.13 Voice Input & output

Include text to voice settings. You can use the default setting, engine, and install linguistic data.

15.14 Accessibility

Power button: press power button to end calls.

15.15 Date & time

Include automation, set date, select time zone, set time, use 24 hour format and select date format.

15.16 Schedule power on/off

You can set the time for ON/OFF, which include setting time and repeated date.

15.17 About phone

Include status information, battery use information, Legal information, android version, baseband version, Kernel version and Build number.

16.iRadio

After finishing the Downloading Update, then you can use this function.

17.iVideo

Tap to link the website——

<http://www.comcel.com.co/wap/videosgsm.wml>

18.Mi Claro

Flick the ideas icon, it will connect to the link

<http://www.comcel.com/comcelwap>

19.Buscar

Flick the ideas icon, it will connect to the link

<http://www.comcel.com.co/wap/buscador.wml>

20.iTv

You can watch TV through this application.

21 Calculator

The handset is provided with a calculator with basic functions. You can carry out the operation for plus, minus, multiply, and divide by pressing the screen. You can use some functions in the advanced panel.

Attention: the accuracy is limited and round-off error may occur.

22. Calendar

Enter the calendar menu and there shall appear a calendar on the screen with the current date marked out by background frame with a special color. Press the touch screen to browse date and the calendar information on the screen shall be correspondingly updated.

23. Call Log

Enter Call history interface, press and change the tagged pages on the upper side of the screen, choose call log, contacts and group.

Use finger to scroll from down to up to select phone numbers. Short press of the log can call the contact directly while long press will present functions like dialing number, video call, send text message, edit number before call, add to contacts, remove from call log and so on.

24. Clock

24. New Alarm

Enter the clock menu and press alarm icon to add a new alarm. Scroll the scrollbar to set alarm time. Press alarm of list to edit the activation, Time, Ringtone, vibrate and label, choose "done" to finish the setting. If you need to reset the settings, choose "Revert". If you want to delete the alarm, choose "Delete".

Attention: Enter the clock menu and set your position for weather forecast to get weather information.

25. Contacts

Entering the Contacts, you can check all the contacts, search for contacts or add new contact. New contact means a newly added phone number that is recorded in the SIM card or the handset.

When adding a new contact, you can type in the name, address, phone number, other phone number, work place, other email address and so on.

You can also check call history and contact group.

26. Downloads

You can check the downloaded or being-downloaded contents.

27 .Flashlight

Open the application to open or close the flashlight

28. Gallery

In the gallery interface, there are different folders. Select a folder and press to enter it. Press image or video to view pictures or videos.

When viewing the picture, if you press the screen or press the menu key, a menu with "share, delete, more" will pop out. Choose "share" to send the file through Bluetooth or via a message; choose "more" for further functions like detailed information, set as, edit, print, and rotate left or right.

If you press the capture icon at the upper right corner, you can directly get a capture or record a video.

29. Gmail

Gmail also known as Google Mail, is a free email service with innovative features like "conversation view" email threads, search-oriented.

30. iClubes

Flick the ideas icon, it will connect to the link
<http://www.comcel.com.co/wap/isuscripciones.wml>

31. Ideportes

Flick the ideas icon, it will connect to the link
<http://www.comcel.com.co/wap/ideportes.wml>

32. Imagenes

Flick the ideas icon, it will connect to the link
<http://www.comcel.com.co/wap/imagenesgsm.wml>

33. Ipromocion

Flick the ideas icon, it will connect to the link
<http://www.comcel.com.co/wap/ipromociones.wml>

34. iTonos

Flick the ideas icon, it will connect to the link
<http://www.comcel.com.co/wap/musicagsm.wml>

35. Latitude

You can search your latitude.

36. Play store

Play store is dedicated to establishing the latest, fastest and most

comprehensive third-party application store that makes Android system simpler. You can pick software and games to your taste from more than 10,000 applications anywhere and anytime.

37. Maps

The phone provide maps service for your travel.

38. Messaging

38.1 Compose new message

Press edit new message to get a new text message:

1. Click the edit frame, type in after a virtual keyboard pops out.
2. Press the number frame and enter number, or press add contact icon and select stored contact number from Contacts, call log and contact group.
3. Input contents into the typing frame on the touch screen. After editing, press send icon to send the text.
4. Press menu key to call, add subject, Attach, Delete message, Insert quick text and more operations.

38.2 Message Setting

Include storage settings, SMS settings, MMS settings, notice settings, service message setting and so on.

39. Navigation

The phone navigation service Do not manipulate this application while driving traffic data is not real-time and directions may be wrong dangerous prohibited or involve ferries walking routes may be missing sidewalks or pedestrian paths.

40 Navigator

Flick the ideas icon, it will connect to the link
<http://www.google.com>

41 Notes

Press the "+" icon at the upper right side of the screen to add notes. Press the menu key to select 'add note', 'remind me', 'delete' and 'get more' items. In the 'remind me' menu, you can set the reminding time for the note.

42. Phone

Press the keyboard, enter the phone number, and press Dial

icon.

43. Places

The application of Places helps you discover nearby places you'll love. Quickly search for Restaurants, Cafes, Bars and other places, while on the go.

It also makes it easy to quickly rate the places you visit. By rating places you'll get place recommendations based on the places you like and recommendations from your friends.

44. Process Manager

Into the process manager, you can view all current mobile processes, you can end a particular process, you can also choose to end or withdraw from all processes.

45. Radio FM



Attention: this handset doesn't have a built-in antenna. If you want to listen to the radio, please insert the headphone first. Pressing the side key can adjust the volume.

1. Channel list: check all the channels and select.
2. FM recording: choose recording after playing the FM

radio.

3. Start/stop: start/stop FM.
4. Previous/Next: press this key to change FM channel.
5. Loudspeaker: Switching headphones and speakers.

46. Diamond Twister 2

You can enjoy the game designed by Gameloft.

47. Asphalt 6: Adrenaline

Like Diamond Twister 2, this is a game designed by Gameloft, You can enjoy .

48. YouTube

YouTube is a video-sharing website, it is the leader in online video, and the premier destination to watch and share original videos worldwide through a Web.

49. Sound Recorder



Press Recording Key to start recording. In the middle of the screen is a timer. Press Stop Key to stop recording and select "Save" in the popped out "Save/Cancel" option to save the record. You can press play key to listen to the record before selecting "Save/Cancel".

50.Talk

Talk is a freeware voice over Internet protocol client application offered by Google Inc

51.Video wallpaper

Set video as wallpaper

52.Voice Search

Search the web and your phone by voice and control your phone with Voice Actions Quickly search your phone, the web, and nearby locations by speaking, instead of typing. Call your contacts, get directions, and control your phone with Voice Actions.

53 Windows Live

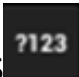

Flick the ideas icon, it will connect to the link

<http://www.comcel.com.co/wap/windowslivemsn.wml>

54.Wireless Keyboard

You need to add new equipment. Wireless keyboard must be connected via Bluetooth

VI. Input

1. Click the editing frame and a input option menu will pop out which include upper-case letters, lower-case letters and number mode.
2. Press  to switch freely between English and Number typing.
3. Press , When the light in the upper-left corner is on, you can enter symbols.

VII. Quick Start Guide

Featured Function

Besides basic mobile phone functions, your handset also has various practical and fast featured functions. They are briefly introduced as follows:

- **Contacts:** Support of quick search for qualified phone number records; the contact storage volume of SIM card/USIM card depends on the card itself; support texting through Contacts, copying a single record to SIM card/USIM card/handset and support copies among the handset, SIM car and SD card; support deleting the

contact records in the SIM/USIM card and the handset.

■ **Call log:** Your handset will automatically store information related to call history for checking; support dialing all of the phone numbers listed in the call history; support storing the listed phone numbers in call history; support deleting single call record and all call records.

■ **Messaging:** Support storing the messages on the handset; support inserting text templates when editing a text; support copying phone number in the message.

■ **Music:** Support playing audio files, including mp3 formats.

■ **Recorder:** Support of call recording and non-call recording. During a call, you can select the open recorder in the option menu to record the call conveniently. You can check the generated recording file in the T card.

■ **Camera:** Support of picture-taking. You can change the camera settings to your preference.

■ **Settings:** You can change the phone settings to your preference, including SIM card management, wireless connection and network, call settings, profiles and so on. You can change the functions of each item according to your own taste, such as date & time, schedule ON/OFF and so on.

Federal Communication Commission Interference Statement

- This device complies with part 15 of the FCC Rules. Operation is subject to the following two conditions: (1) This device may not cause harmful interference, and (2) this device must accept any interference received, including interference that may cause undesired operation.

- This device has been tested and found to comply with the limits for a Class B digital device, pursuant to Part 15 of the FCC Rules. These limits are designed to provide reasonable protection against harmful interference in a residential installation. This equipment generates, uses, and can radiate radio frequency energy, and, if not installed and used in accordance with the instructions, may cause harmful interference to radio communications. However, there is no guarantee that interference will not occur in a particular installation. If this equipment does cause harmful interference to radio or television reception, which can be determined by turning the equipment off and on, the user is encouraged to try to correct the interference by one or more of the following measures:
 - Reorient or relocate the receiving antenna.
 - Increase the separation between the equipment and receiver.
 - Connect the equipment into an outlet on a circuit different from that to which the receiver is connected.
 - Consult the dealer or an experienced radio/TV technician for help.

FCC Caution:

Any Changes or modifications not expressly approved by the party

responsible for compliance could void the user's authority to operate the equipment.

The antenna(s) used for this transmitter must not be co-located or operating in conjunction with any other antenna or transmitter.

Note: The country code selection is for non-US model only and is not available to all US model. Per FCC regulation, all WiFi product marketed in US must fixed to US operation channels only.

▶ **RF Exposure Information (SAR)**

This device meets the government's requirements for exposure to radio waves.

This device is designed and manufactured not to exceed the emission limits for exposure to radio frequency (RF) energy set by the Federal Communications Commission of the U.S. Government.

The exposure standard for wireless device employs a unit of measurement known as the Specific Absorption Rate, or SAR. The SAR limit set by the FCC is 1.6W/kg. *Tests for SAR are conducted using standard operating positions accepted by the FCC with the device transmitting at its highest certified power level in all tested frequency bands. Although the SAR is determined at the highest certified power level, the actual SAR level of the device while operating can be well below the maximum value. This is because the device is designed to operate at multiple power levels so as to use only the power required to reach the network. In general, the closer you are to a wireless base station antenna, the lower the power output.

The highest SAR value for the model device as reported to the FCC when tested for use at the ear is 1.42 W/kg and when worn on the

body, as described in this user guide, is 1.07 W/kg (Body-worn measurements differ among device models, depending upon available accessories and FCC requirements.)

While there may be differences between the SAR levels of various devices and at various positions, they all meet the government requirement.

The FCC has granted an Equipment Authorization for this model device with all reported SAR levels evaluated as in compliance with the FCC RF exposure guidelines. SAR information on this model device is on file with the FCC and can be found under the Display Grant section of www.fcc.gov/oet/ea/fccid after searching on FCC ID: WVBA760X

For body worn operation, this device has been tested and meets the FCC RF exposure guidelines for use with an accessory that contains no metal and be positioned a minimum of 1cm from the body. Use of other accessories may not ensure compliance with FCC RF exposure guidelines. If you do not use a body-worn accessory and are not holding the device at the ear, position the handset a minimum of 1cm from your body when the device is switched on.