

THE TUTOR TOTE™ USER MANUAL

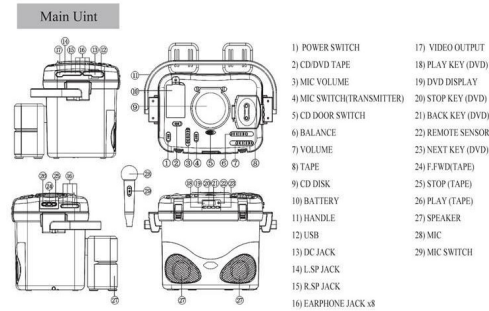


READ THE INSTRUCTION CAREFULLY TO ENSURE PROPER USE OF THIS PRODUCT AND KEEP THIS MANUAL FOR FUTURE REFERENCE

	CAUTION RISK OF ELECTRIC SHOCK DO NOT OPEN	
<p>The Lightning flash with arrowhead symbol, with equilateral triangle is intended to alert the user of the presence of uninsulated dangerous voltage within the product's enclosure that may be of sufficient magnitude to constitute a risk of electric shock to persons.</p>	<p>TO REDUCE THE RISK OF ELECTRIC SHOCK, DO NOT REMOVE COVER (OR BACK). NO USER SERVICEABLE PARTS INSIDE. REFER SERVICING TO QUALIFIED SERVICE PERSONNEL.</p>	<p>The exclamation point within an equilateral triangle is intended to alert the user of the presence of important operating and maintenance (servicing) instructions in the literature accompanying the appliance.</p>

<p>WARNING</p> <p>TO PREVENT FIRE OR ELECTRICAL SHOCK, DO NOT EXPOSE THE UNIT TO RAIN OR MOISTURE. NEVER ATTEMPT TO OPEN THE CABINET. DANGEROUS HIGH VOLTAGES ARE PRESENTED IN THE UNIT. REFER SERVICING TO QUALIFIED SERVICE PERSONNEL.</p>	<p>CAUTION</p> <p>THE DVD VIDEO PLAYER IS A CLASS 1 LASER PRODUCT. USE OF CONTROLS OR ADJUSTMENTS OR PERFORMANCE OF PROCEDURES OTHER THAN THOSE SPECIFIED HEREIN MAY RESULT IN HAZARDOUS RADIATION EXPOSURE. AS THE LASER BEAM USER IN THIS DVD VIDEO PLAYER IS HARMFUL TO THE EYES, DO NOT ATTEMPT TO DISASSEMBLE THE CABINET. REFER SERVICING TO QUALIFIED PERSONNEL ONLY.</p>
---	---

- Heat-The appliance should be situated away from heat sources such as radiators, heat registers, stoves, or other appliances (including amplifiers) that produce heat.
- Cleaning-The appliance should be cleaned only as recommended by the manufacturer.
- Not in use periods-The power cord of the appliance should be unplugged from the outlet when left or not use for a long period of time.
- Object and Liquid Entry-Care should be taken so that objects do not fall and liquids are not spilled into the product case through product openings.
- Damage for repairing-Unplug this product from the wall outlet and take it to qualified service personnel under the following conditions.
 - When the power-supply cord or plug is damaged.
 - If liquid has been spilled into, or objects have fallen into the product.
 - If the product does not operate when used according to the operating instructions. Adjust only those controls that are covered by the operating instructions as an improper adjustment of other controls may interfere with the product's normal operation.
 - If the product has been dropped or damaged in any way.
 - When the product exhibits a distinct change in performance-this indicates a need for service.
- Servicing-The user should not attempt to service the product beyond that described in the operating instruction. All servicing should be referred to qualified service personnel.
- Cleaning-Unplug this product from the wall outlet before cleaning. Do not use liquid cleaners or aerosol cleaners. Use a damp cloth for cleaning.
- Lightning-For added protection for this product during a lightning storm, or when it is left unattended and unused for long period of time, unplug it from the wall outlet and disconnect the antenna or cable system. This will prevent damage to the product due to lightning and power-line surges.
- Safety Check-Upon completion of any service or repairs to this product, ask the service technician to perform safety checks to determine that the product is in proper operation condition.
- Overloading-Do not overload wall outlets, extension cords, or integral convenience receptacles as this can result in a risk of fire or electric shock.
- Lighting-For added protection for this product during a lightning storm, or when it is left unattended and unused for long period of time, unplug it from the wall outlet and disconnect the antenna or cable system. This will prevent damage to the product due to lightning and power-line surges.
- Safety Check-Upon completion of any service or repairs to this product, ask the service technician to perform safety checks to determine that the product is in proper operation condition.
- Overloading-Do not overload wall outlets, extension cords, or integral convenience receptacles as this can result in a risk of fire or electric shock.
- No naked flame sources, such as lighted candles, should be placed on the apparatus.
- It is recommended to use the apparatus in moderate climates.
- Do not install this equipment in a confined space such as a bookshelf or similar unit. Attention should be drawn to the environmental aspects of battery disposal (e.g. Before scrapping the appliance, remove the batteries and place them in the appropriate battery connection station).



- Descriptions of controls**
- POWER SWITCH:** Enter the Standby On/Off mode
 - CD/DVD TAPE:** Switch between the 2 different function modes
 - MIC VOLUME:** Adjust MIC volume
 - MIC SWITCH (TRANSMITTER):** For open the cd door
 - CD DOOR SWITCH:** Enter ON/OFF mode for transmitter of mic
 - BALANCE:** Change the current sound channel
 - VOLUME:** Increase or decrease the speaker sound level
 - TAPE:** For place the tape
 - CD DISK:** For place the disk
 - BATTERY:** For place the battery
 - HANDLE:** For be carry by hand
 - USB:**
 - LSP JACK:**
 - R.SP JACK:**
 - EARPHONE JACK x8:**
 - PLAY KEY (DVD):** Switch Play for the current chapter/track
 - DVD DISPLAY:**
 - STOP KEY (DVD):** Enter quasi stop or stop playback to begin the title over
 - BACK KEY (DVD):** Skip backward to beginning of the preceding title/chapter/track
 - REMOTE SENSOR:** Remote control infrared reception
 - NEXT KEY (DVD):** Skip forward to beginning of the next title/chapter/track
 - F.WD(TAPE):** Jump to the next songs/chapter
 - STOP (TAPE):** Enter quasi stop or stop playback to begin the title over
 - PLAY (TAPE):** Switch Play for the current songs/chapter
 - SPEAKER:**
 - MIC:** Microphone connection jack for karaoke
 - MIC SWITCH:** Enter the mic On/Off modes
- Left output jacks for external amplifier analog sound connection
Right output jacks for external amplifier analog sound connection
Earphone connection jack for personal enjoyment
Output jack for s-video connection
Switch Play for the current chapter/track

Before Use

GETTING STARTED:

- Open the Battery cover by turning the knob on the top of the unit.
- Plug the 5.0mm socket into the appliance.
- Plug the adapter into a mains supply socket and switch on the appliance.

Warning:

- Do not plug or unplug the power cable when your hands wet.
- When planning not to use this unit for long period of time, disconnect the plug(DC JACK).

BATTERY INSTALLATION:

- Insert 8 x "LR14" batteries with matching polarity as indicated in the compartment. Alkaline batteries are recommended.
- Replace the cover and turn the knob clockwise.

CAUTION: When the dvd/tape recorder is not in used for a long time, removed the batteries.

HEADPHONE JACK

This unit accepts stereo headphones with a Φ 3.5mm plug. Before connecting the headphones, set the volume to minimum level to avoid damaging your ears or the headphones. By connecting the headphone jack, the speakers will be automatically disconnected. *Warning: Prolonged exposure to high sound levels may permanently damage your hearing. You may not hear some warning sound while wearing these headphones.*

VOLUME

Adjust the VOLUME control to the desired level

LISTENING TO THE TAPE RECORDER

- Press **POWER** button to turn on the unit.
- Press **CD/DVD TAPE** button to select **TAPE**.
- Open the tape door, place a tape into the tray with the tape's label facing up and then close the tape door.
- Press **PLAY** button on the left of the unit, you can begin listen to the tape recorder.
- When you press **STOP** button on the left of the unit, the player turns into quasi stop state.
- Press **F.WD** button on the left of the unit, you can jump to the next song.

Basic Operation

PLAYING DVD

- Press **POWER** button to turn on the unit.
- Press **CD/DVD TAPE** button to select **CD/DVD**.
- Press **OPEN** button to pop open the DVD door from the top of the DVD player.
- Place a disc gently into the tray with the disc's label facing up and then close the disc door.
- After a few seconds the total number of songs/tracks is shown in the display.
- Press the **PLAY** button under the display in order to play the DVD/CD. The DVD/CD will play from the first title.

USING USB

- Press **CD/DVD TAPE** button to select **CD/DVD**.
- When the disc's compartment is empty the disc system will using USB automatically.

STOP

- When you press **STOP** button for the first time, the player turns into quasi stop state. To begin the title over, press Stop two more times.
- In quasi stop state, the player remembers where you stopped, when you start playing the disc again, the DVD player will pick up where you left off.
- In stop state, when you press Play, the player enters sequence playback mode.
 - For the disc protection, before you press **OPEN** button to eject the disc when playing, please press **STOP** button first
 - If you're not going to use the DVD player for a long time, please power it off at the back of the main unit

SKIPPING TRACKS

- To skip forward to the beginning of the next title / chapter / track on a disc, press **NEXT** on the front of the player.
- To skip backward to the beginning of the preceding title / chapter / track on a disc, press **BACK** on the front of the player.

BALANCE

Press the **BALANCE** button can change the L or R soundtrack.(compatible with SVCD, VCD, CD, MP3discs)

Playing MP3 and JPEG files

Place a MP3 / JPEG disc into the tray, and the player will auto search the directories saved MP3 / JPEG files. After searching, it will auto go to the first directory saved MP3 files (to the disc containing both mp3 and jpeg files to the disc containing single type of files, it will auto go to the first directory) and play the first song in the directory ("01" is highlighted). The screen displays as the picture below:

The playing file is a MP3 music. The playing file is a JPEG picture.

File Switch Region: Displays the file type of the playing and the recording.

Use the Arrow buttons to enter the Directory Region and highlight the desired directory, then the first track under it starts playback; also you can use the Arrow buttons to enter the File Region and select the file you want to play.

Trouble shooting guide

If you experience a problem with this unit, check the chart below before calling of service.

SYMPTOM	CAUSE	SOLUTION
CD layer will Not turn on	AC Cord not connected properly.	Connect the AC cord properly.
Disc will not Play	Disc inserted incorrectly. Defective compact disc. CD compartment not closed. Moisture condensation on disc.	Reinsert disc with label side facing up. Try another compact disc. Close CD compartment. Wipe disc with soft cloth.
Erratic CD Playback	Dirt or defective disc.	Clean or replace disc.
No sound	Headphone + Speaker plug are not inserted properly. Volume control set to minimum. Defective compact disc. FUNCTION is not set to the desired position.	Reinsert headphone or Speaker Plug into headphone or speaker jack. Increase the volume. Try another compact disc. Press FUNCTION SELECTOR switch to the desired function.
Noise or sound distortion on radio	Station not tuned properly for AM or FM. Unit is not positioned correctly.	Retune AM or FM broadcast station. Rotate unit until best reception is obtained.

Care & maintenance

CARING FOR COMPACT DISCS

- To keep the CD clean, handle it by its edge. Do not touch the surface.
- Do not stick paper or tape onto the CD
- Do not expose the CD to direct sunlight or heat sources such as hot air ducts.
- Do not leave the CD in a car parked under direct sunlight.

DO:

DO NOT:

Cleaning the Unit

- To prevent fire or shock hazard, disconnect your unit from the AC power source when cleaning.
- The finish on your unit may be cleaned with a dust cloth and cared for as other furniture. Use caution when cleaning and wiping the plastic parts.
- Mild soap and a damp cloth may be used on the front panel.

General practice

- To protect your DVD player, the interval between two consecutive Power button operations must be above 30 seconds.
- No using for a period of time, please pull out the plug from the electronic outlet.
- The player should be operated only on condition that the type of power supply corresponds to the marking label. Otherwise, it doesn't work or even be damaged.
- The player may not be compatible with some encrypted discs.
- If the player stops playback by accident, please power it on again.

NOTE: The manufacturer is not responsible for any radio or TV interference caused by unauthorized modifications to this equipment. Such modification could void the User's authority to operate the equipment.