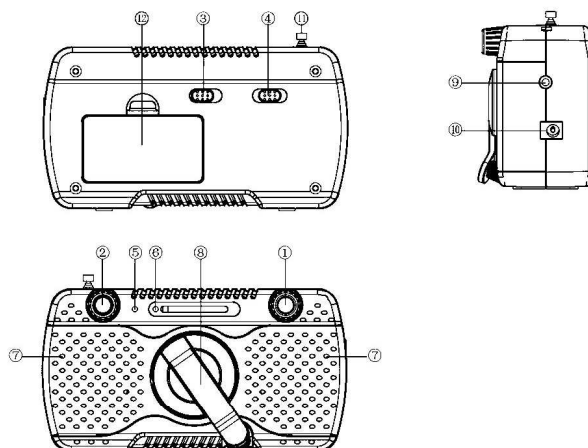


# INSTRUCTION MANUAL      ITEM NO:3339

- 1) TUNING
- 2) VOLUME
- 3) BAND SWITCH
- 4) DYNAMO/BATTERY
- 5) CHARGING LED
- 6) FULL LED
- 7) SPEAKER
- 8) DYNAMO/CRANK /HANDLE
- 9) HEADPHONE JACK
- 10) D.C JACK
- 11) FM ANTENNA
- 12) BATTERY



## A. USING ON DRY CELL BATTERY

1. Open the battery compartment and insert two LR6(size AA)batteries(not included) With the correct direction indicated inside the battery compartment
2. Set the power selector switch to “BATT” Position. Note: -make sure that the +and - marks are correctly aligned. Do not mix difference types of batteries, or an old battery with a new one.- Never recharge the batteries, apply heat to them or take them apart. When not using the batteries, remove them to prevent needles wear.- If liquid leaks from the batteries, wipe thoroughly to remove.

## B. USING ON THE BUILT-IN RECHARGEABLE BATTERIES.

1. Set the Power Selector to 'DYNAMO'position.
2. Take out the dynamo Handle and turn the handle “CLOCKWISE” , turn the level at about 2 time a second to recharge the batteries, you can listen to the radio for about 30 Minutes by 1 Minutes recharging. Crank / power time are approximate and may vary slightly.
3. Charging led turn on when charging.Full led turn on when rechargeable batteries are full.

### NOTE:

when recharging with the DYNAMO RECHARGING LEVER during radio reception , noise may be heard. If the DYNAMO RECHARGING lever is turn slowly, the batteries are not recharged Completely. Do not turn the DYNAMO RECHARGING level with the FM ANTENNA EXTENDED. The antenna may be broken.

## C. RADIO RECEPTION

1. Turn volume control clockwise to on position. Fully extend the FM antenna.
2. Set band switch to select AM FM or Weather Band.
3. Turn the TUNING CONTROL to selection station
- 4 Adjust the volume control for sound level.
5. Turn volume control switch to 'OFF' position to turn off the radio.

## D. TO LISTEN WITH AN EARPHONE

Connect an earphone with a mini-plug to the jack, the sound from the speaker will not be heard.Lower volume level to protect the ear.

## SPECIFICATIONS

Power source	DC 3V (2X AA) batteries (NOT INCLUDED)
	DC 2.4V using built - in rechargeable batteries
Frequency range	FM: 88 - 108 MHz    AM: 530 - 1700 Khz    WB : 162.5 Mhz

**Warning: Changes or modifications to this unit not expressly approved by the party responsible for compliance could void the user’s authority to operate the equipment. NOTE: This equipment has been tested and found to comply with the limits for a Class B digital device, pursuant to Part 15 of the FCC Rules .These limits are designed to provide reasonable protection against harmful interference in a residential installation. This equipment generates, uses and can radiate radio frequency energy and ,if not installed and used in accordance with the instructions, may cause harmful interference to radio communications. However, there is no guarantee that interference will not occur in a particular installation. If this equipment does cause harmful interference to radio or television reception, which can be determined by turning the equipment off and on ,the user is encouraged to try to correct the interference by one of more of the following measures:**

- ◆ Reorient or relocate the receiving antenna.
- ◆ Increase the separation between the equipment and receiver.
- ◆ Connect the equipmnt into an outlet on a circuit different from that to which the receiver is connected.
- ◆ Consult the dealer of an experienced radio/TV technician for help.