

BRINKMANN®

TRIPLE FUNCTION

CHARCOAL SMOKER • CHARCOAL GRILL • GAS GRILL

FUMADOR DE CARBÓN DE LEÑA • PARRILLA DE
CARBON DE LEÑA • PARRILLA DE GAS

OWNER'S MANUAL / MANUAL DEL PROPIETARIO

ASSEMBLY AND OPERATING INSTRUCTIONS
INSTRUCCIONES DE ARMADO Y OPERACIÓN

**SAVE THIS MANUAL FOR FUTURE REFERENCE
GUARDE ESTE MANUAL PARA REFERENCIA FUTURA**

NOTICE TO INSTALLER:

LEAVE THESE INSTRUCTIONS WITH THE
GRILL OWNER FOR FUTURE REFERENCE.

AVISO PARA EL INSTALADOR:

ENTREGUE ESTAS INSTRUCCIONES AL
PROPIETARIO DE LA PARRILLA PARA
REFERENCIA FUTURA.


⚠ WARNING/ADVERTENCIA

HAZARDOUS EXPLOSION MAY RESULT IF THESE WARNINGS AND INSTRUCTIONS ARE IGNORED. READ AND FOLLOW ALL WARNINGS AND INSTRUCTIONS IN THIS MANUAL TO AVOID PERSONAL INJURY, INCLUDING DEATH OR PROPERTY DAMAGE.

SE PUEDE PRODUCIR UNA EXPLOSIÓN PELIGROSA SI SE HACE CASO OMISO A ESTAS ADVERTENCIAS E INSTRUCCIONES. LEA Y SIGA TODAS LAS ADVERTENCIAS E INSTRUCCIONES EN ESTE MANUAL PARA EVITAR LESIONES PERSONALES, INCLUSO LA MUERTE, O LOS DAÑOS MATERIALES.



IMPORTANT SAFETY WARNINGS

WE WANT YOU TO ASSEMBLE AND USE YOUR GRILL AS SAFELY AS POSSIBLE. THE PURPOSE OF THIS SAFETY ALERT SYMBOL  IS TO ATTRACT YOUR ATTENTION TO POSSIBLE HAZARDS AS YOU ASSEMBLE AND USE YOUR GRILL.

WHEN YOU SEE THE SAFETY ALERT SYMBOL  PAY CLOSE ATTENTION TO THE INFORMATION WHICH FOLLOWS!

 **READ ALL SAFETY WARNINGS AND INSTRUCTIONS CAREFULLY BEFORE ASSEMBLING AND OPERATING YOUR GRILL.**

DANGER

IF YOU SMELL GAS:

1. Shut off gas to the appliance.
2. Extinguish any open flame.
3. Open Lid.
4. If odor continues, keep away from the appliance and immediately call your gas supplier or your fire department.

WARNING

1. DO NOT store or use gasoline or other flammable liquids or vapors in the vicinity of this or any other appliance.
2. An LP cylinder not connected for use shall not be stored in the vicinity of this or any other appliance.

DANGER



- DO NOT store a spare LP gas cylinder under or near this appliance.
- Never fill the cylinder beyond 80% full.
- A fire causing death or serious injury may occur if the above is not followed exactly.

TABLE OF CONTENTS

GAS GRILL SECTION

General Warnings	3
Installation and LP Cylinder Specifications and Safe Use	4-6
Connecting LP Cylinder and Hose / Regulator to Grill	6-7
Leak Testing.	8-9
Pre-start Check List	9
Lighting Instructions	10
Operating Grill and Helpful Hints.	11-12

CHARCOAL SECTION

General Warnings	13-14
Operating Instructions	15-17
After-Use Safety / Transporting & Storage	17
Proper Care and Maintenance	18-19
Troubleshooting	20
Frequently Asked Questions.	21-22
Parts list and Assembly Instructions.	23-35
Warranty	Back Cover

⚠ DANGER: Indicates an imminently hazardous situation which, if not avoided, will result in death or serious injury.

⚠ WARNING: Be alert to the possibility of serious bodily injury if the instructions are not followed. Be sure to read and carefully follow all of the messages.

⚠ CAUTION: Indicates a potentially hazardous situation which, if not avoided, may result in minor or moderate injury.

FOR COVERS, ACCESSORIES AND OTHER PRODUCTS, PLEASE VISIT US ONLINE AT:

www.brinkmann.net

FOR GRILL WARRANTY REPLACEMENT PARTS, PLEASE VISIT US AT:

www.grillpartsonline.com

GAS GRILL GENERAL WARNINGS

⚠ WARNING

- Never use natural gas in a unit designed for liquid propane gas.
- Never use charcoal or wood briquets in the gas section of this grill. Flavoring chips must be contained in a metal smoking box to contain ash and prevent fires.
- Read and follow all warnings in the Charcoal Grill General Warning section on page 13 of this manual.
- Leak test all connections before first use, even if grill was purchased fully assembled and after each tank refill.
- Never check for leaks using a match or open flame.

⚠ CAUTION! Strong odors, colds, sinus congestion, etc. may prevent the detection of propane. Use caution and common sense when testing for leaks.

- Always keep your gas grill free and clear of gasoline, lighter fluid, paint thinner, or other flammable vapors and liquids or combustible materials.
- Always check the grill prior to each use as indicated in the "Pre-Start Check List" section of this manual.
- DO NOT obstruct the flow of combustion or ventilation air.
- Never place more than 15 pounds on the side table. DO NOT lean on the side table.
- Keep children and pets away from hot grill. DO NOT allow children to use or play near this grill.
- DO NOT leave the grill unattended while in use.
- DO NOT allow the gas hose to come in contact with hot surfaces.
- DO NOT allow grease from drain hole to fall on hose or valve regulator assembly.
- Keep any electrical supply cords away from water or heated surfaces.
- Keep a fire extinguisher on hand acceptable for use with gas products. Refer to your local authority to determine proper size and type.
- For household use only. DO NOT use this grill for anything other than its intended purpose.
- DO NOT use while under the influence of drugs or alcohol.
- Grill is hot when in use. To avoid burns:
 - DO NOT attempt to move the grill.
 - Lock the wheels so the unit does not accidentally move.
 - Wear protective gloves or oven mitts.
 - DO NOT touch any hot grill surfaces.
 - DO NOT wear loose clothing or allow hair to come in contact with grill.

⚠ USE CAUTION AND COMMON SENSE WHEN OPERATING YOUR GAS GRILL.

**FAILURE TO ADHERE TO THE SAFETY WARNINGS AND GUIDELINES IN THIS MANUAL
COULD RESULT IN SEVERE BODILY INJURY OR PROPERTY DAMAGE.**

SAVE THIS MANUAL FOR FUTURE REFERENCE.

⚠ WARNING

- **FOR OUTDOOR USE ONLY. DO NOT** operate indoors or in an enclosed area such as a garage, shed or breezeway.
- Use your grill **OUTDOORS** in a well ventilated space away from dwellings or other buildings to prevent dangers associated with gas accumulation and toxic vapors. We recommend your grill be situated at least 10 feet (3.1 m) from buildings. Not adhering to these clearances will prevent proper ventilation and may increase the risk of a fire and/or property damage, which could also result in personal injury.
- Maintain a minimum clearance of 72 inches (183 cm) between all sides of grill, deck railings, walls or other combustible material. **DO NOT** use grill under overhead unprotected combustible construction.
- **DO NOT** use or install this grill in or on a recreational vehicle and/or boat.

INSTALLATION INFORMATION:

The installation of this appliance must be in accordance with:

All applicable local codes, or in the absence of local codes, either:

- National Fuel Gas Code ANSI Z223.1 NFPA 54
- Natural Gas and Propane Installation Code: CAN/CGA B149.1
- Natural Gas Installation Code: CAN/CGA B149.1 (Canada)
- Propane Installation Code: CAN/CGA B149.2 (Canada)

To check your local codes, see your local LP gas dealer or natural gas company. This grill was not intended to be connected to a natural gas supply line. If an external electrical source is utilized, it must be electrically grounded in accordance with local codes, or in the absence of local codes, with the National Electrical Code, ANSI/NFPA 70, or the Canadian Electrical Code, CSA 22.1.

⚠ WARNING

LP GAS CYLINDER (NOT SUPPLIED WITH THIS GRILL)

The LP cylinder is available for purchase at the same location the grill was purchased.

The LP (Liquid Propane) gas cylinder specifically designed to be used with this grill must have a 20 lb. (9.1 kg) capacity incorporating a Type 1 cylinder valve and an over-filling protection device (OPD).

- This grill is designed to fit Worthington, Manchester or SMPC brand 20 lb. (9.1 kg) cylinders. Other brand DOT cylinders may fit this grill if the cylinder has similar dimensions of the top and bottom rings.
- **DO NOT** connect this grill to an existing #510 POL cylinder valve with Left Hand threads. The Type 1 valve can be identified with the large external threads on the valve outlet.
- **DO NOT** connect to a propane cylinder exceeding this capacity.
- **DO NOT** connect to a cylinder that uses any other type of valve connection device.

CYLINDER SPECIFICATIONS:

When purchasing or exchanging a cylinder for your gas grill, it must be constructed and marked in accordance with the specifications for LP gas cylinders of the U.S. Department of Transportation (DOT) or the National Standard of Canada, CAN/CSA-B339 Cylinders, Spheres and Tubes for Transportation of Dangerous Goods; and Commission, as applicable; and provided with a listed over-filling prevention device (OPD), and provided with a cylinder connection device compatible with the connection for outdoor cooking appliances.

The cylinder must also be equipped with:

- A shut-off valve terminating in a Type 1 gas cylinder valve outlet.
- The nominal cylinder Height = 18 inches (45.7 cm), Diameter = 12 inches (30.5 cm) and bottom ring diameter = 8 inches (20.3 cm).
- A Type 1 valve that prevents gas flow until a positive seal is obtained.
- An arrangement for vapor withdrawal.
- A collar to protect the cylinder shut-off valve.
- A safety relief device having direct communication with the vapor space of the cylinder.
- A listed over-filling prevention device (OPD).

WARNING

- Turn off the cylinder valve when your grill is not in use.
- Handle the tank with care.
- Always secure the cylinder in an upright position.
- Never connect an unregulated LP gas cylinder to your grill.
- DO NOT expose LP gas cylinders to excessive heat or ignition sources.
- DO NOT store a spare LP gas cylinder under or near your grill.
- Allow only qualified LP gas dealers to fill or repair your LP gas cylinder.
- DO NOT allow the cylinder to be filled beyond 80% capacity.
- Read and follow all warnings and instructions that are on the cylinder and that accompany this product.

DANGER

- Never store a spare LP gas cylinder under or near your grill. This could cause excess pressure to be expelled through the vapor relief valve resulting in fire, explosion, or severe personal injury including death.

Note: PROPANE GAS IS HEAVIER THAN AIR AND WILL COLLECT IN LOW AREAS. PROPER VENTILATION IS EXTREMELY IMPORTANT.

- Keep the ventilation opening(s) of the LP gas cylinder enclosure free and clear from obstructions and debris.
- DO NOT insert any foreign objects into the valve outlet. Damage to the back-check could result. A damaged back-check can cause a leak, possibly resulting in explosion, fire, severe bodily harm, or death.

⚠ WARNING

FILLING THE LP GAS CYLINDER:

- Allow only qualified LP gas dealers to properly fill or repair your LP gas cylinder.
- New tanks should be purged prior to filling; inform LP gas dealer if you are using a new tank.
- **DO NOT** allow the cylinder to be filled beyond 80% capacity. Over-filled tanks can create a dangerous condition. Over-filled tanks can build-up pressure and cause the relief valve to expel propane gas vapors. The vapor is combustible and if it comes in contact with a spark source or flame an explosion causing severe burns, bodily harm, or death could occur.
- Always use a protective cylinder cap when grill is not connected to cylinder.
- If you exchange a cylinder with a qualified exchange program, be sure the cylinder has a Type 1 valve and an over-filling prevention device (OPD).

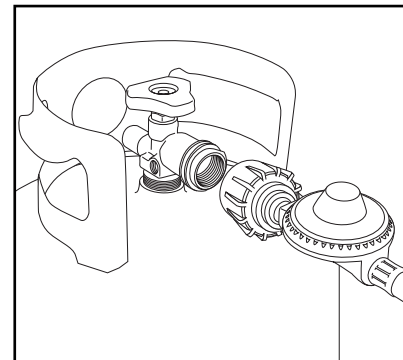
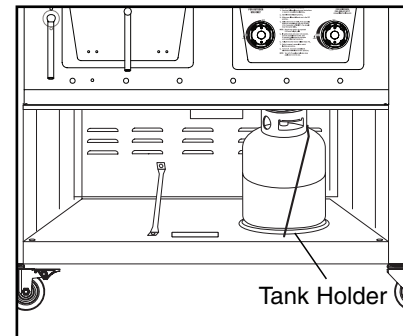
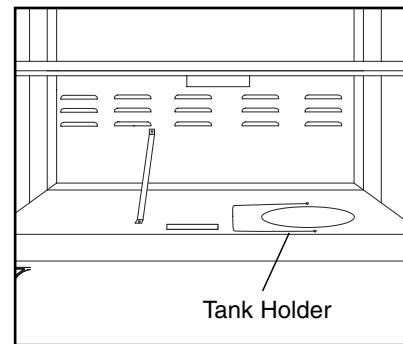
INSTALLING THE LP GAS CYLINDER ONTO THE GRILL:

1. Check that the cylinder valve is closed by turning the knob clockwise.
2. Place the cylinder into the tank holder in the bottom of cabinet.
3. Orient the cylinder such that the valve opening faces the right side table and so that the hose is not kinked or damaged.
4. Make sure tank sits securely in tank holder.
5. Attach or detach regulator to the LP gas cylinder only when cylinder is at rest in tank holder.

HOSE AND REGULATOR:

Your grill is equipped with a Type 1 connection device with the following features:

1. The system will not allow gas flow from the cylinder until a positive connection to the valve has been made.
Note: The cylinder valve must be turned off before any connection is made or removed.
2. A thermal device that will shut off the gas flow if the device is subject to temperatures above 240°F to 300°F (115°C to 150°C). If this should happen, remove the entire regulator assembly and dispose of properly. A replacement regulator assembly can be purchased by contacting customer service at 800-527-0717. The cause of the excessive heat should be determined and corrected before using your grill again.
3. A regulator flow limiting device, when activated, restricts the flow of gas to 10 cubic feet per hour. If the flow limiting device is activated, perform Regulator Resetting Procedure.



REGULATOR RESETTING PROCEDURE

1. Turn burner control knobs to "OFF", turn off the cylinder valve and disconnect regulator from LP gas tank. Wait approximately two minutes.
2. Reattach regulator and slowly turn cylinder valve back on. The flow limiting device will now be reset.

⚠ WARNING

- **Never use your grill without leak testing all gas connections and hoses. See the section on "Leak Testing" in this manual for proper procedures.**

⚠ WARNING

The pressure regulator and hose assembly supplied with your gas grill must be used.

- **DO NOT attempt to connect it to any other fuel supply source such as a natural gas line.**
- **DO NOT use any other pressure regulator/hose assembly other than the one supplied with your grill. Replacement pressure regulator/hose assembly must be part No 155-3830-0, which can be obtained by contacting customer service at 800-527-0717.**
- **DO NOT attempt to adjust or repair the regulator. The regulator is designed to operate at a maximum output pressure of 11 inches of water column (2.74 kPa).**

During assembly and/or replacement of the gas cylinder, keep the gas supply hose free of kinks and/or damage.

Visually inspect the hose assembly prior to each use for evidence of damage, excess wear, or deterioration. If found, replace the assembly before using your grill. Only the manufacturer's supplied replacement should be used.

⚠ WARNING

CONNECTING HOSE AND REGULATOR TO AN LP GAS CYLINDER

- **Ensure the tank valve is **CLOSED** prior to connecting the LP gas cylinder to your grill. Turn the valve knob clockwise to properly close the valve. Read and follow all instructions and warnings on the supply hose safety tags. Read and follow all warnings in this manual concerning the safe use of LP gas cylinders and the hose and regulator before connecting cylinder to grill. Read and follow all warnings on the LP cylinder.**

CONNECTING HOSE AND REGULATOR

1. Check that the cylinder valve is closed by turning the knob clockwise.
2. Check that the grill's burner control knobs are in the "OFF" positions.
3. Remove the protective plastic cap from the cylinder valve.
4. Hold regulator and insert the nipple of connection device into the LP cylinder valve outlet. Ensure that the device is centered properly.
5. Turn the large coupling nut clockwise by hand and tighten to a full stop. Take care not to cross thread the coupling nut onto the cylinder valve. Do not over-tighten the knob onto the valve. Do not use tools to tighten connection.

Note: If you are unable to make the connection, repeat Steps 4 and 5.

6. Check that the hose does not contain kinks, does not contact sharp edges, and does not contact surfaces that may become hot during use.
7. Leak check all fittings before lighting your grill. See section on "Leak Testing" in this manual.

⚠ DANGER

LEAK TESTING:

To prevent fire or explosion hazard:

- **DO NOT** smoke or permit ignition sources in the area while conducting a leak test.
- Perform test **OUTDOORS** only in a well ventilated area.
- Never perform a leak test with a match or open flame.
- Never perform a leak test while the grill is in use or while grill is still hot.

⚠ WARNING

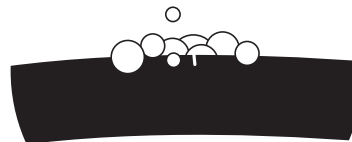
WHEN TO PERFORM A LEAK TEST:

- After assembling your grill and before lighting for the first time, even if purchased fully assembled.
- Every time the LP gas cylinder is refilled or if any of the gas components are replaced.
- Any time your grill has been moved.
- At least once per year or if your grill has not been used for more than 60 days.

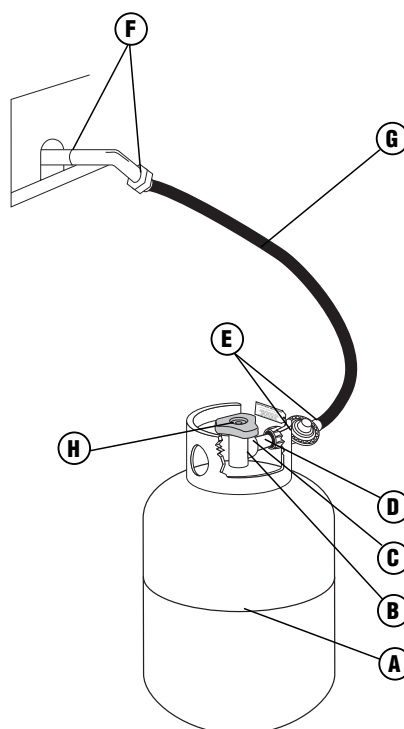
CHECKING FOR LEAKS:

1. Create a mixture of 50% water and 50% liquid dishwashing soap.
2. Open the lid.
3. Ensure all control knobs are set to the "OFF" position.
4. Turn on the fuel supply at the cylinder valve. Turn the cylinder valve knob one turn counter-clockwise.
5. Apply the soap water mixture to the following:

Watch For Bubbles



- Ⓐ Supply tank (cylinder) weld.
- Ⓑ Connection nut to tank valve.
- Ⓒ Back side of connection nut to brass nipple.
- Ⓓ Brass nipple connection into regulator.
- Ⓔ Front, back and sides of regulator and connections to gas supply hoses.
- Ⓕ Hose connection to gas manifold.
- Ⓖ The full length of gas supply hose.
- Ⓗ Tank valve to cylinder.



6. Check each place listed (A–H) for growing bubbles which indicates a leak.
7. Turn off gas supply at cylinder valve.
8. Turn on control knobs to release gas pressure in hose.
9. Turn control knobs to "OFF" position.
10. Tighten any leaking connections.
11. Repeat soapy water test until no leaks are detected.
12. Turn off gas supply at cylinder valve until you are ready to use your grill.
13. Wash off soapy residue with cold water and towel dry.
14. Wait 5 minutes to allow all gas to evacuate the area before lighting grill.

⚠ WARNING! **DO NOT** use the grill if leaks cannot be stopped. Contact a qualified gas appliance repair service.

Note: The leak test must be performed in an area that has adequate lighting in order to see if bubbles are developing.

⚠ WARNING

Property damage, bodily harm, severe burns, and death could result from failure to follow these safety steps. These steps should be performed after the grill has been assembled and prior to each use. DO NOT operate this grill until you have read and understand ALL of the warnings and instructions in this manual.

PRE-START CHECK LIST:

- Ensure that the grill is properly assembled.
- Inspect the gas supply hose for burns, chaffing, kinks, and proper routing before each use. If it is evident there is excessive abrasion or wear, or the hose is cut, it must be replaced prior the grill being used. Replace with hose and regulator, Model No. 155-3830-0, which can be obtained by contacting customer service at 800-527-0717.
- Leak check all gas connections and hose. See section on "Leak Testing".
- Ensure that all electrical supply cords are properly grounded. Keep any electrical supply cord and the fuel supply hose away from any heated surfaces. Hose should be at least 3 inches from hot surfaces.
- Position your grill on level ground in a well ventilated location, a safe distance from combustible materials, buildings and overhangs.
- Properly place the empty grease tray under the grease drain hole in the bottom of the grill to catch grease during use.
- DO NOT obstruct the flow of combustion and ventilation air.

⚠ WARNING

Read, understand and follow all warnings and instructions contained in this manual. **DO NOT** skip any of the warnings and instructions contained in the preceding sections of this manual.

⚠ WARNING

LIGHTING INSTRUCTIONS:

Follow the instructions exactly.

1. **OPEN THE GRILL LID** before attempting to light a burner so that fumes do not accumulate inside the grill. An explosion could occur if grill lid is down.
2. Check that all burner control knobs and the cylinder valve are turned to the "OFF" position.
3. Turn on the fuel supply by rotating the cylinder valve knob counter-clockwise to full open.
4. **DO NOT** stand with head, body, or arms over the grill when lighting.

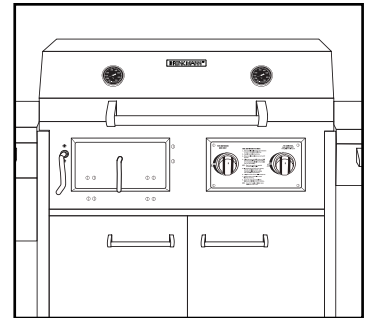
Note: If burner does not light or flame is too low, you may have spider or other insect blockage in burner, or the flow limiting device has been activated. See "Burner Assembly/Maintenance" under Proper Care and Maintenance, or "Regulator Resetting Procedure" under Connecting LP Cylinder and Hose/Regulator to Grill.

LIGHTING THE MAIN BURNERS:

1. Open lid before lighting burner.
2. Make sure all control knobs are in the "OFF" position.
3. Select the burner to be lit. Push and hold down the control knob and turn SLOWLY (2 to 3 seconds) to "IGNITE". You should hear the igniter click.

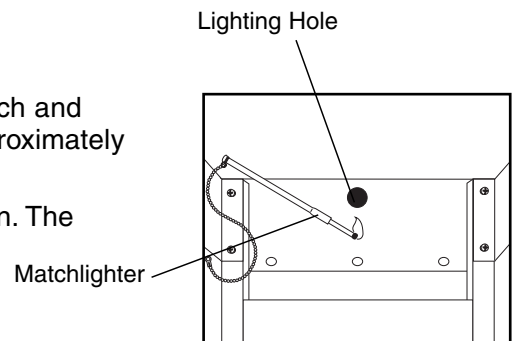
Note: Step 3 may need to be repeated 2-3 times to light grill.

4. If ignition does not occur in 5 seconds, turn control knob to OFF, wait 5 minutes to allow gas to dissipate and repeat lighting procedure.
5. To light the other burner, follow Step 3-4.
6. If the burner does not light within the first few attempts, there is a problem with the gas supply. Turn off the gas at the burner **and** cylinder. **DO NOT** attempt to operate the grill until the problem is found and corrected. See "Trouble Shooting" section of this manual.
7. To turn off, turn each control knob clockwise until it locks in the "OFF" position. This does not turn off the gas flow from the cylinder.



MATCH LIGHTING THE MAIN BURNERS:

1. Open lid before lighting.
2. Turn the burner control knobs to "OFF".
3. Place a paper match in the end of the matchlighter. Strike the match and place through lighting hole in the right hand side of the grill to approximately 1/2" (1 to 2 cm) from the burner.
4. Turn on the **FAR RIGHT** burner control knob to the "HIGH" position. The burner should light within 5 seconds.
5. If the burner does not light, turn the control knob to "OFF" and wait 5 minutes for gas to dissipate and repeat lighting procedure.
6. To light the other burner, push and turn control knob to "HIGH". Follow Step 5.
7. If the burner does not light within the first few attempts of match lighting, there is a problem with the gas supply. Turn off the gas at the burner **and** cylinder. **DO NOT** attempt to operate the grill until the problem is found and corrected. See "Trouble Shooting" section of this manual.
8. To turn off, turn each control knob clockwise until it locks in the "OFF" position. This does not turn off the gas flow from the cylinder.



TURNING OFF THE GRILL:

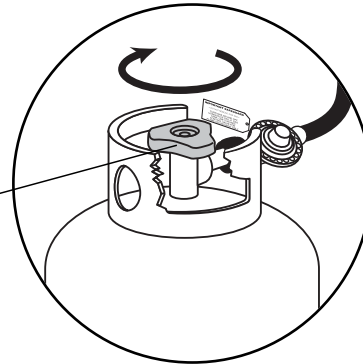
1. Turn off the cylinder valve.
2. Turn all burner control knobs to the "OFF" position.

Note: Turn off LP cylinder first to prevent gas from being left in the system under pressure.

⚠ CAUTION!

- The cylinder valve should always be in the off, or closed, position when the grill is not in use.

To turn off the cylinder valve, turn knob clockwise until it stops.



⚠ WARNING

OPERATING THE GRILL:

Never use Charcoal or Lighter Fluid inside the Gas section of the grill. Read and follow all warnings and instructions contained in the preceding sections of this manual.

BREAKING IN YOUR GRILL:

- In manufacturing and preserving the components of your grill, oil residue may be present on the burner and cooking surfaces of your grill.
- Before cooking on your grill for the first time you should preheat it for 15 minutes on "HIGH" to burn off these residual oils.

PREHEATING THE GRILL:

- Prior to use, it is recommended that you preheat your grill. This ensures that the grilling surfaces are at the desired temperatures to sear the food sugars when cooking. After lighting your grill, set the main burner control knobs to the "HIGH" position for 10 to 15 minutes. Close the cover during the preheat period.

CONTROLLING FLARE-UPS:

- Flare-ups are a part of cooking meats on a grill. This adds to the unique flavor of cooking on a gas grill. Excessive flare-ups can over-cook your food and cause a dangerous situation for you and your grill. Excessive flare-ups result from the build-up of grease in the bottom of your grill. If this should occur, DO NOT pour water onto the flames. This can cause the grease to splatter and could result in serious burns or bodily harm. If grease fire occurs close the lid and turn off the main burners until the grease burns out. Use caution when opening the lid as sudden flare-ups may occur.

⚠ WARNING

- DO NOT leave your grill unattended while in use.
- DO NOT move grill when in use. Lock wheels in place to stabilize grill.
- DO NOT use water to extinguish flare-ups.
- Have fire extinguisher readily accessible suitable for use with gas appliances.

TO MINIMIZE FLARE-UPS:

- Trim excess fat from meats prior to cooking.
- Cook meats with high fat contents (chicken or pork) on Low settings or indirectly.
- Ensure that your grill is on level ground and the grease is allowed to evacuate the grill through the drain hole in the bottom and into grease cup.

INDIRECT COOKING:

- Indirect cooking is the process of cooking your food without the heat source being directly under your food. You can sear meats over a high flame on one side of the grill while slow cooking a roast on the other (unlit) side of the grill.

GRILL COOKING TIPS

CLEANLINESS

- Always wash hands thoroughly with soap and hot water prior to handling food and after handling raw meat, uncooked poultry or seafood.
- When using a platter to carry raw meat, uncooked poultry or seafood to the grill, make sure to wash the platter thoroughly with soap and hot water before placing cooked foods back on the platter or use different platters for raw and cooked foods.
- Never use the same utensils when handling raw meat, uncooked poultry or seafood unless you wash the utensils thoroughly with soap and hot water.
- Never re-use marinade from raw meat or uncooked poultry on foods that have been cooked and are ready to be served.

GRILLING TO PROPER TEMPERATURE

- Use a meat thermometer to be sure food has reached a safe internal temperature.
- The US Department of Agriculture recommends the **minimum** temperature be reached for the following food items:

Chops	145 degrees F (62.8° C)
Ground Meat	160 degrees F (71° C)
Pork	160 degrees F (71° C)
Poultry	180 degrees F (82° C)
Roasts	145 degrees F (62.8° C)
Seafood	140 degrees F (60° C)
Vegetables	145 degrees F (62.8° C)

HELPFUL HINTS

- If you pre-cook meat or poultry, do so immediately before grilling.
- Never defrost meat at room temperature or on a countertop.
- Refrigerate leftovers within 2 hours of taking food off the grill.
- For additional information, please phone the USDA's toll free Meat & Poultry Hotline at 800-535-4555.

CHARCOAL GRILL GENERAL WARNINGS

WARNING

- Only use this grill on a hard, level, non-combustible, stable surface (concrete, ground, etc.) capable of supporting the weight of the grill. Never use on wooden or other surfaces that could burn.
- DO NOT use grill without charcoal ash tray in place. DO NOT attempt to remove charcoal ash tray while tray contains hot coals.
- Proper clearance of 10 feet (3.1 m) between the grill and combustible material (bushes, trees, wooden decks, fences, buildings, etc.) or construction should be maintained at all times when grill is in use. Do not place grill under a roof overhang or other enclosed area.
- For outdoor use only. Do not operate grill indoors or in an enclosed area.
- For household use only. Do not use this grill for other than its intended purpose.
- We recommend the use of a Charcoal Chimney Starter to avoid the dangers associated with charcoal lighting fluid.
- Use charcoal chimney starter or charcoal that has been pre-treated with lighter fluid when starting fire in charcoal section of your grill.
- Do not store lighter fluid or other flammable liquids, material or charcoal that has been pre-treated with lighter fluid under the grill.
- Do not use gasoline, kerosene or alcohol for lighting charcoal. Use of any of these or similar products could cause an explosion possibly leading to severe bodily injury.
- Never add charcoal lighting fluid to hot or even warm coals as flashback may occur causing severe burns.
- Place grill in an area where children and pets cannot come into contact with unit. Close supervision is necessary when grill is in use.
- Do not leave grill unattended when in use.
- When adding charcoal and/or wood, use extreme caution and follow instructions in “Adding Charcoal/Wood During Cooking” section of this manual.
- Do not store or use grill near gasoline or other flammable liquids, gases or where flammable vapors may be present.
- Use caution when adjusting charcoal grate height. Handle may be hot when in use.
- Never raise or lower charcoal grate when water smoking as hot water may splash onto coals creating a burst of hot steam and coals.

Grill is hot when in use. To avoid burns:

- DO NOT attempt to move the grill.
- Lock the casters so the unit does not accidentally move.
- Wear protective gloves or oven mitts.
- DO NOT touch any hot grill surfaces.
- DO NOT wear loose clothing or allow hair to come in contact with grill.

⚠ WARNING

- When grilling, grease from meat may drip into the charcoal and cause a grease fire. If this should happen close lid and turn gas knobs to off position to suffocate the flame. Do not use water to extinguish grease fires.
- Use caution since flames can flare-up when fresh air suddenly comes in contact with fire. When opening the lid, keep hands, face and body a safe distance from hot steam and flame flare-ups.
- Never place more than 15 pounds (6.8 kg) on side table. Do not lean on the side table. Always ensure side table is properly seated.
- Do not exceed a temperature of 400°F (205°C). Do not allow charcoal and/or wood to rest on the walls of grill. Doing so will greatly reduce the life of the metal and finish of your grill.
- Use caution when assembling and operating your grill to avoid scrapes or cuts from sharp edges of metal parts. Use caution when reaching into or under grill.
- When opening lid, make sure it is pushed all the way open. If lid is not fully open, it could fall back to a closed position and cause bodily injury.
- In windy weather, place grill in an outdoor area that is protected from the wind.
- Close lids and doors to suffocate flame.
- Never leave coals and ashes in grill unattended. Before grill can be left unattended, remaining coals and ashes must be removed from grill. Use caution to protect yourself and property. Carefully place remaining coals and ashes in a non-combustible metal container and saturate completely with water. Allow coals and water to remain in metal container 24 hours prior to disposing.
- Extinguished coals and ashes should be placed a safe distance from all structures and combustible materials.
- With a garden hose, completely wet the surface beneath and around grill to extinguish any ashes, coals or embers which may have fallen during the cooking or cleaning process.
- After each use, clean the grill thoroughly and apply a light coat of vegetable oil to interior to prevent rusting. Cover the grill to protect it from excessive rusting.
- Use caution when lifting or moving grill to prevent strains and back injuries.
- We advise that a fire extinguisher be on hand. Refer to your local authority to determine proper size and type of fire extinguisher.
- Accessory attachments not manufactured by The Brinkmann Corporation for this particular product are not recommended and may lead to personal injury or property damage.
- Store the grill out of reach of children and in a dry location when not in use.
- Do not attempt to service grill other than normal maintenance as explained in “After-Use Safety” and “Proper Care & Maintenance” sections of this manual. Repairs should be performed by The Brinkmann Corporation only.
- Properly dispose of all packaging material.

USE CAUTION AND COMMON SENSE WHEN OPERATING YOUR GRILL.

**FAILURE TO ADHERE TO SAFETY WARNING AND GUIDELINES IN THIS MANUAL COULD RESULT
IN BODILY INJURY OR PROPERTY DAMAGE.**

SAVE THIS MANUAL FOR FUTURE REFERENCE.

CHARCOAL OPERATING INSTRUCTIONS

⚠ PLACE THE GRILL OUTDOORS ON A HARD, LEVEL, NON-COMBUSTIBLE SURFACE AWAY FROM ROOF OVERHANG OR ANY COMBUSTIBLE MATERIAL. NEVER USE ON WOODEN OR OTHER SURFACES THAT COULD BURN. PLACE THE GRILL AWAY FROM OPEN WINDOWS OR DOORS TO PREVENT SMOKE FROM ENTERING YOUR HOUSE. IN WINDY WEATHER, PLACE THE GRILL IN AN OUTDOOR AREA THAT IS PROTECTED FROM THE WIND.

⚠ READ ALL SAFETY WARNINGS AND INSTRUCTIONS CAREFULLY BEFORE OPERATING YOUR GRILL.

PREHEATING YOUR GRILL:

Prior to your first use of the Brinkmann Triple Function Grill, follow the instructions below carefully to preheat your grill. Preheating your grill will rid the grill of paint odor that can impart unnatural flavors to the first meal prepared on your Brinkmann Triple Function Grill.

IMPORTANT: To protect your grill from excessive rust, the unit must be properly covered at all times when not in use. A cover for your Triple Function Grill may be ordered directly from Brinkmann by calling 800-527-0717 (U.S. only).

1. Lightly coat all interior surfaces of the Triple Function Grill including cooking grills with vegetable oil or vegetable oil spray. Do not coat charcoal grate or charcoal tray.
2. Follow the instructions below carefully to build a fire in the firebox and cooking chamber. You may use charcoal and/or wood as fuel in the charcoal section of the Triple Function Grill (see “Adding Charcoal/Wood During Cooking” section of this manual).

Note: We recommend using charcoal that has been pre-treated with lighter fluid or a charcoal chimney starter

⚠ WARNING: DO NOT use lighter fluid or other flammable liquids in or around your grill.

3. With grill and firebox lids and charcoal doors open, stand back and carefully light charcoal and allow to burn until covered with a light ash (approximately 20 minutes).

If using a Charcoal Chimney Starter, follow all manufacturer’s warnings and instructions regarding the use of their product. Start with 4 to 6 pounds (1.8 to 2.7 kg) of charcoal. This should be enough charcoal to cook with, once the preheating process has been completed. When charcoal is burning strong, carefully place hot coals in center of charcoal grates.

⚠ WARNING: DO NOT use grill without charcoal ash tray in place. DO NOT attempt to remove charcoal ash tray while tray contains hot coals.

Note: To extend the life of your grill, make sure that hot coals and wood do not touch the walls of grill.

4. With coals burning strong, close the lids and doors. Allow coals to burn for 20 - 30 minutes. Follow instructions in Smoking or Grilling/Searing sections below.

IMPORTANT: To protect your smoker from excessive rust, the unit must be covered when not in use. A smoker cover can be ordered directly from Brinkmann by calling 800-527-0717 (U.S. only).

YOUR BRINKMANN TRIPLE FUNCTION GRILL IS NOW PREHEATED AND READY FOR USE.

SMOKING

1. Follow the instructions above to build a fire in the firebox.
2. With coals burning well, carefully add wood chunks using long cooking tongs (see “Flavoring Wood” and “Adding Charcoal/Wood During Cooking” sections of this manual.)
3. Place cooking grill on grill support lips. Use charcoal grate adjuster crank to position charcoal grate to lowest level.

⚠ WARNING: Wear protective gloves or oven mitts when adjusting door handle, ash tray or cooking height.

4. Place food in left side of cooking chamber and close lid.
5. The ideal smoking temperature is between 175°F and 250°F. For large cuts of meat, allow approximately one hour of cooking time per pound of meat. Always use a meat thermometer to ensure food is fully cooked before removing from grill.
6. Allow grill to cool, then follow instructions in the “After-Use Safety” and “Proper Care & Maintenance” sections of this manual.

GRILLING/SEARING

1. Follow the instructions above to build a fire in the left side of cooking chamber.
2. Place cooking grill on grill support lips. Use charcoal grate adjuster crank to position charcoal grate to desired cooking level. Position it low for slow grilling, in the middle for medium grilling or up high for searing meats. The firebox can also be used for grilling and searing.

⚠ WARNING: Always wear oven mitts/gloves when adjusting cooking levels to protect your hands from burns.

3. Place food on cooking grill and close grill lid. Always use a meat thermometer to ensure food is fully cooked before removing from grill.
4. Allow grill to cool, then follow instructions in the “After-Use Safety” and “Proper Care & Maintenance” sections of this manual.

FLAVORING WOOD

To obtain your favorite smoke flavor, experiment by using chunks, sticks or chips of flavor producing wood such as hickory, pecan, apple, cherry, or mesquite. Most fruit or nut tree wood may be used for smoke flavoring. Do not use resinous wood such as pine as it will produce an unpleasant taste.

Wood chunks or sticks 3" to 4" (7 to 10 cm) long and 1" to 2" (2 to 4 cm) thick work best. Unless the wood is still green, soak the wood in water for 30 minutes or wrap each piece in foil and tear several small holes in the foil to produce more smoke and prevent the wood from burning too quickly. A lot of wood is not required to obtain a good smoke flavor. A recommended amount for the Brinkmann Triple Function Grill is 5 to 6 wood chunks or sticks. Experiment by using more wood for stronger smoke flavor or less wood for milder smoke flavor.

Additional flavoring wood should not have to be added during the cooking process. However, it may be necessary when cooking very large pieces of food. Follow instructions and cautions in the “Adding Charcoal/Wood During Cooking” section of this manual to avoid injury while adding wood.

TO INCREASE HEAT

To increase heat, more wood and/or charcoal may be needed. Follow instructions in “Adding Charcoal/Wood During Cooking” section of this manual. To maintain the temperature, more wood and/or charcoal may need to be added during the cooking cycle.

Note: Dry wood burns hotter than charcoal, so you may want to increase the ratio of wood to charcoal to increase the cooking temperature. Hardwood such as oak, hickory, mesquite, fruit and nut wood are an excellent fuel because of their burning rate. When using wood as fuel, make sure the wood is seasoned and dry. **DO NOT** use resinous wood such as pine as it will produce an unpleasant taste.

ADDING CHARCOAL/WOOD DURING COOKING

Additional charcoal and/or wood may be required to maintain or increase cooking temperature.

1. Stand back and carefully open grill or firebox lid. Use caution since flames can flare-up when fresh air suddenly comes in contact with fire.
2. Wearing oven mitts/gloves, use charcoal grate adjuster crank to place charcoal grate at the lowest level of cooking chamber. Open cooking chamber door or firebox side door to allow access to charcoal grate.
3. Stand back a safe distance and use long cooking tongs to lightly brush aside ashes on hot coals. Use cooking tongs to add charcoal and/or wood to charcoal grate, being careful not to stir-up ashes and sparks. If necessary, use your Charcoal Chimney Starter to light additional charcoal and/or wood and add to existing fire.

⚠ WARNING: Never add charcoal lighting fluid to hot or even warm coals as flashback may occur causing severe burns.

4. When charcoal is burning strong again, wear oven mitts/gloves and carefully return charcoal grate to desired cooking level. Ensure that no ashes, coals or embers have fallen to the ground as a fire may start. As a precaution, completely wet beneath and around grill with water to extinguish any fallen ashes, coals or embers.
5. Close the grill and firebox lids and doors. Allow food to continue cooking.

AFTER-USE SAFETY

⚠ WARNING

- Always allow grill and all components to cool before handling.
- Never leave coals and ashes in grill unattended. Make sure coals and ashes are completely extinguished before leaving unattended.
- Before grill can be left unattended, remaining coals and ashes must be removed from grill. Use caution to protect yourself and property. Place remaining coals and ashes in a non-combustible metal container and completely saturate with water. Allow coals and water to remain in metal container 24 hours prior to disposing.
- Extinguished coals and ashes should be placed a safe distance from all structures and combustible materials.
- With a garden hose, completely wet surface beneath and around the grill to extinguish any ashes, coals or embers which may have fallen during the cooking or cleaning process.
- Cover and store grill in a protected area away from children and pets.

⚠ WARNING

TRANSPORTING AND STORAGE:

- Never move a grill when it is hot or when objects are on the cooking surfaces.
- Make sure that cylinder valve is shut off. After moving the grill check that all gas connections are free of leaks. Refer to instructions for Leak Testing.
- DO NOT store a spare LP gas cylinder (filled or empty) under or near the grill.
- Never store flammable liquids or spray canisters under or near the grill.
- DO NOT extinguish grease fires using water.
- If the outdoor cooking gas appliance is not in use, the gas must be turned off at the supply cylinder.
- Storage of an outdoor cooking gas appliance indoors is permissible only if the cylinder is disconnected and removed from the outdoor cooking gas appliance.
- Cylinders must be stored outdoors out of reach of children and must not be stored in a building, garage or any other enclosed area.
- When removing the grill from storage, spider webs or other debris may be blocking the burners. See "Burner Assembly/Maintenance" under Proper Care and Maintenance.

PROPER CARE & MAINTENANCE

- To protect your grill from excessive rust, the unit must be properly clean and covered at all times when not in use. A grill cover may be ordered directly from Brinkmann by calling 800-527-0717 (U.S. only).
- Wash cooking grills, charcoal grate and heat distribution plates with hot, soapy water, rinse well and dry. Lightly coat grills with vegetable oil or vegetable oil spray.
- Clean inside and outside of grill by wiping off with a damp cloth. Apply a light coat of vegetable oil or vegetable oil spray to the interior surface to prevent rusting. Do not coat charcoal grate or charcoal ash tray.
- The stainless steel exterior surface of your grill, can be cleaned with stainless steel cleaner.
- If rust appears on the exterior surface of your grill, clean and buff the affected area with steel wool or fine grit emery cloth. Touch-up with a good quality high-temperature resistant paint.
- Never apply paint to the interior surface. Rust spots on the interior surface can be buffed, cleaned, then lightly coated with vegetable oil or vegetable oil spray to minimize rusting.

CLEANING AND MAINTENANCE:

- Keep the appliance free and clear of combustible materials, gasoline and other flammable vapors and liquids.
- Keep the ventilation openings of the cylinder enclosure free and clear of debris.
- Visually check burner flames for proper operation (see pictorial in "Burner Assembly/Maintenance" under Proper Care and Maintenance). Spiders or other insects can nest in the burner causing gas blockage.
- For safe grilling and peak performance of your grill, perform these checks at least twice per year or after extended periods of storage.
- Be sure to tighten up all hardware (nuts, bolts, screws, etc.) at least twice per year.

⚠ CAUTION! Some parts may contain sharp edges. Wear protective gloves if necessary.

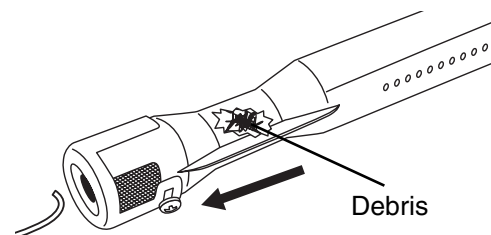
- Remove the cooking grills, heat distribution plates, and burners from inside your grill. Use a brush with hot water and detergent to remove excess residue. NEVER use a commercial oven cleaner. Rinse completely with water. Towel dry and replace all components as described in the assembly instructions.

BURNER ASSEMBLY/MAINTENANCE

- Although your burners are constructed of stainless steel, they may corrode as a result of the extreme heat and acids from cooking foods or from the climate your grill is exposed to. Regularly inspect the burners for cracks, abnormal holes, and other signs of corrosion damage. If found, replace the burner.

- **DO NOT obstruct the flow of combustion and ventilation air.** Burner tubes can become blocked by spiders and other insects building their nests or from grease build up. Blocked burner tubes can prevent gas flow to the burners and could result in a burner tube fire or fire beneath the grill. To clean the Burner Assembly follow these instructions to clean and/or replace parts of burner assembly or if you have trouble igniting the grill.

1. Turn gas off at control knobs and LP cylinder tank valve.
2. Remove cooking grills and heat distribution plates.
3. Remove screw from each burner "foot" using a screwdriver.
4. Carefully lift each burner up and away from valve openings.



BURNER ASSEMBLY/MAINTENANCE CONTINUED

5. Use a narrow bottle brush or a stiff wire bent into a small hook to run through each burner tube and flame port several times.

Note: Wear eye protection when performing procedure 6.

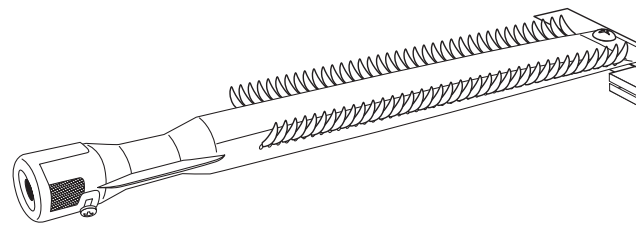
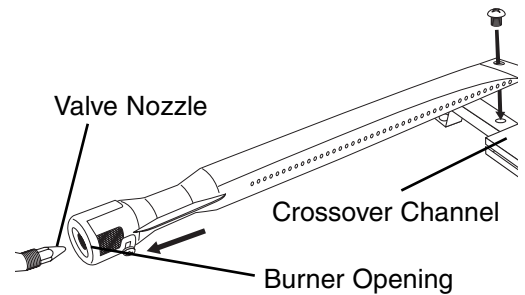
6. Use compressed air to blow into burner tube and out the flame ports. Check each port to make sure air comes out each hole.
7. Wire brush entire outer surface of burner to remove food residue and dirt.
8. Check burner for damage, if any large cracks or holes are found replace burner.

IMPORTANT: Burner opening must slide over valve nozzle.

9. Orient burners **CORRECTLY** by aligning screw hole in burner to the left as shown.

Note: Make sure burner tubes align evenly between crossover channels.

10. Replace screw on each burner and follow the "Gas Leak Testing" section of this manual. Relight burners to verify proper operation.
11. Replace heat distribution plates and cooking grills.



PROPER BURNER OPERATION

COOKING GRILLS

- Clean with mild soap detergent and water. A brass bristled brush or a nylon cleaning pad can be used to remove residue from the stainless steel surfaces. Do not use steel wire bristles to clean the cooking grills. Steel can cause the finish to chip or crack. **DO NOT** use a commercial oven cleaner.

HEAT DISTRIBUTION PLATES

- Periodically, it may be necessary to inspect and clean the heat distribution plate to prevent excess grease build-up. When the grill is cold, remove the cooking grills. Inspect the heat distribution plates and replace if broken or damaged. Do not allow heat distribution plates to become damaged to the extent that they may fall through onto the burners. Replace the heat distribution plates and cooking grills and light the burners. Operate the grill on "HIGH" for 10 minutes to remove the excess grease.

BEFORE STORING YOUR GRILL:

- Ensure that the cylinder valve is fully closed.
- Clean all surfaces.
- Lightly coat the burners with cooking oil to prevent excess rusting.
- If storing the grill indoors, disconnect the LP tank and leave the LP tank OUTDOORS.
- Place a protective cap cover on the LP tank and store the tank outdoors in a well ventilated area out of direct sunlight.
- Clean burner prior to use after storing, at the beginning of grilling season or after a period of one month not being used. Spiders and insects like to build nests in burner tubes (especially during colder months). These nests can cause fires in burner tubes or under grill.
- If storing the grill outdoors, cover the grill with a grill cover for protection from the weather.

TROUBLE SHOOTING

Problem:	Possible Causes:
<ul style="list-style-type: none"> • Burner will not light 	<ol style="list-style-type: none"> 1. Check LP cylinder fuel level. 2. Bad electrode spark. Check to see if the grill will match light. Electrode or collector may need adjustment. 3. Burner may not be properly seated. 4. Burner may be obstructed. 5. The cylinder valve may be closed. 6. Regulator is not properly seated on cylinder valve.
<ul style="list-style-type: none"> • Fire at control knob 	<ol style="list-style-type: none"> 1. Burner holes may be obstructed. See section on "Burner Assembly/Maintenance" under Proper Care and Maintenance. 2. Burner is improperly seated on control valve. 3. Gas connections may be loose. Leak Check and tighten all connections.
<ul style="list-style-type: none"> • Yellow Flames at burner 	<ol style="list-style-type: none"> 1. Burner is obstructed. See section on "Burner Assembly/Maintenance" under Proper Care and Maintenance.
<ul style="list-style-type: none"> • Flame blows out on "LOW" 	<ol style="list-style-type: none"> 1. Burner holes may be obstructed. See section on "Burner Assembly/Maintenance" under Proper Care and Maintenance. 2. Burner is improperly seated on control valve.
<ul style="list-style-type: none"> • Burner does not get hot enough 	<ol style="list-style-type: none"> 1. Flow control device has been activated in regulator. See Regulator Resetting Procedure under Connecting LP Cylinder and Hose/Regulator to Grill. 2. Burner holes may be obstructed.
<ul style="list-style-type: none"> • Grill is Too Hot 	<ol style="list-style-type: none"> 1. Excess grease build-up causing grease fires. 2. Damaged or faulty regulator. Replace with factory authorized parts. 3. Cook on a lower temperature setting.

FREQUENTLY ASKED QUESTIONS

Your grill's serial number and model number, and the contact information for Brinkmann Customer Service, are listed on a silver label found beneath the control panel, on the back of the grill or on the side of the grill body, under the side shelf.

These questions and answers are for your general knowledge, and may not be applicable to your model grill.

Question: Why does my grill not light properly?

Answer: Always follow lighting instructions as listed on the control panel or in this manual. Also check these causes:

- Check LP gas supply.
- Check to ensure all gas connections are secure.
- The igniter AA battery may need replacing.
- Ignition wires may be loose. Remove the battery, inspect the igniter junction box found behind the control panel and connect any loose wires.
- Spark electrode tips may need repositioning. With the gas supply closed and control knob set to the "OFF" position, press the igniter button and have another person watch for the presence of a spark at the electrode tips. The gap between the spark electrode tip and spark receiver should be about 3/16". If the electrode tip needs to be adjusted, bend it to the appropriate gap distance.
- Check that the end of each burner venturi tube is properly located over its gas valve orifice fitting.
- There may be an obstruction in the gas line. To correct this, remove LP gas hose / regulator or natural gas fuel line from your grill. Open gas supply for one second to test for obstruction. If no obstruction is present, reconnect fuel line. If the fuel line is blocked, replace with a new hose / regulator assembly.
- If an obstruction is suspected in the hose / regulator assembly, orifice or gas valves call Brinkmann Customer Service at 800-527-0717.

Question: Why does my LP gas grill have a low flame or a flame with orange / yellow color?

Answer: You need to purge air from the gas line or reset the regulator's flow limiting device. Opening the cylinder valve all the way or too quickly triggers the regulator's flow limiting device to shut down the gas flow, which prevents excessive gas flow to your grill.

Note: This procedure should be done every time a new LP gas tank is connected to your grill:

RESETTING THE REGULATOR FLOW LIMITING DEVICE

- Turn control knob to the "OFF" position.
- Turn off the LP gas tank at the cylinder valve.
- Disconnect regulator from LP gas tank.
- Let tank stand for two minutes.
- Reconnect regulator to the LP gas tank.
- Open grill lid. Turn the cylinder valve on slowly until 1/4 or 1/2 open.
- Light the grill by following the instructions on your control panel or in this owner's manual.

Question: How and when do I clean the interior cooking components of my grill?

Answer: Use a fiber or brass cleaning brush to clean the interior of the grill, cooking grills, heat distribution plates and grease containers. Never use a wire brush or metal scraper on porcelain-finished parts, as they can scratch or chip the porcelain finish and promote rusting.

FREQUENTLY ASKED QUESTIONS

Cleaning Stainless Steel Cooking Grills: Wash grills with a mild detergent and rinse with hot water before initial use and as needed. DO NOT use a commercial oven cleaner. For stubborn food residue, use a degreaser and fiber or brass cleaning brush.

Cleaning Porcelain-Finished Cast-Iron Cooking Grills: Wash grills with a mild detergent and rinse with hot water before initial use and as needed. For stubborn food residue, use a degreaser and fiber or brass cleaning brush. Dry immediately using a soft cloth or paper towels.

Cleaning Heat Distribution Plate: Heat distribution plates should be cleaned whenever food or grease drippings accumulate to reduce the chance of flare-ups. Wash heat distribution plates with a mild detergent and rinse with hot water. Use a degreaser and fiber or brass cleaning brush to remove stubborn food residue. Do not use a wire brush or metal scraper on porcelain-finished heat distribution plates, as they can scratch or chip the porcelain finish and promote rusting.

Cleaning the Grease Tray and/or Grease Cup: The grease tray and/or grease cup (some models) should be inspected before each grill use to reduce the chance of fire. Remove grease (a plastic spatula works well) and wash all parts with a mild soap or degreaser and warm water solution.

Question: What causes grill parts to rust and what effect does it have on the grill materials?

Answer: Rusting is a natural oxidation process and may appear on cast-iron and steel parts. Rust will not affect the short-term performance of your grill. However, weathering and extreme heat can cause a stainless steel lid to turn a bronze color. This is discoloration, not rust, and is not considered a manufacturing defect.

Question: What causes my stainless steel grill lid to discolor and how do I clean my grill lid?

Answer: Smoke, weathering and high heat can cause a stainless steel grill lid to turn bronze in color. This is not to be confused with rust and is not a product defect. Machine oils used in the manufacturing process of stainless steel as well as cooking oils and a dirty grill lid can also encourage discoloration if the lid is not cleaned prior to grill use. After your grill is assembled, remove the protective PVC film from your grill lid and use a stainless steel cleaner and soft cloth to remove residual adhesive and oils from the inside and outside of your grill lid. Never use abrasive cleaners or scrubbers. In addition to the initial cleaning, routine cleaning to remove dirt, grease and oils will help discourage lid discoloration.

Question: Can I convert my grill from propane gas to natural gas?

Answer: Most gas grills are manufactured to exact specifications and are certified for either propane gas or natural gas use only. However, some models can be converted safely with conversion kits available for specific models. Contact Brinkmann Customer Service at 800-527-0717 to see if your grill can be converted.

Question: Why does the hose / regulator assembly supplied with my grill not fit the older LP gas tank I've used for years?

Answer: U.S. Government regulates gas appliances and LP gas tanks. When regulations were changed, the LP gas tank fittings were updated to ensure compliance. If your LP gas tank does not fit the hose / regulator supplied with your new grill, the tank is outdated and must be replaced. Note: Effective April 1, 2002, all LP gas tanks sold must include an "OPD" overflow protection device. This internal device prevents the LP gas tank from being over filled. Tanks without an OPD valve cannot be refilled.

Question: Sometimes I hear a humming sound coming from my gas regulator. Should I be concerned?

Answer: The humming sound is gas flowing through the regulator. A low volume of noise is normal and will not interfere with the operation of your grill. If the humming noise is loud and excessive, you need to purge air from the gas line or reset the regulator flow limiting device following the Regulator Resetting Procedure under Connecting LP Cylinder and Hose/Regulator to Grill. This procedure should be done every time a new LP gas tank is connected to your grill. For help, refer to your owner's manual or call Brinkmann Customer Service at 800-527-0717.

ASSEMBLY INSTRUCTIONS

▲ READ ALL SAFETY WARNINGS & ASSEMBLY INSTRUCTIONS CAREFULLY BEFORE ASSEMBLING OR OPERATING YOUR GRILL.

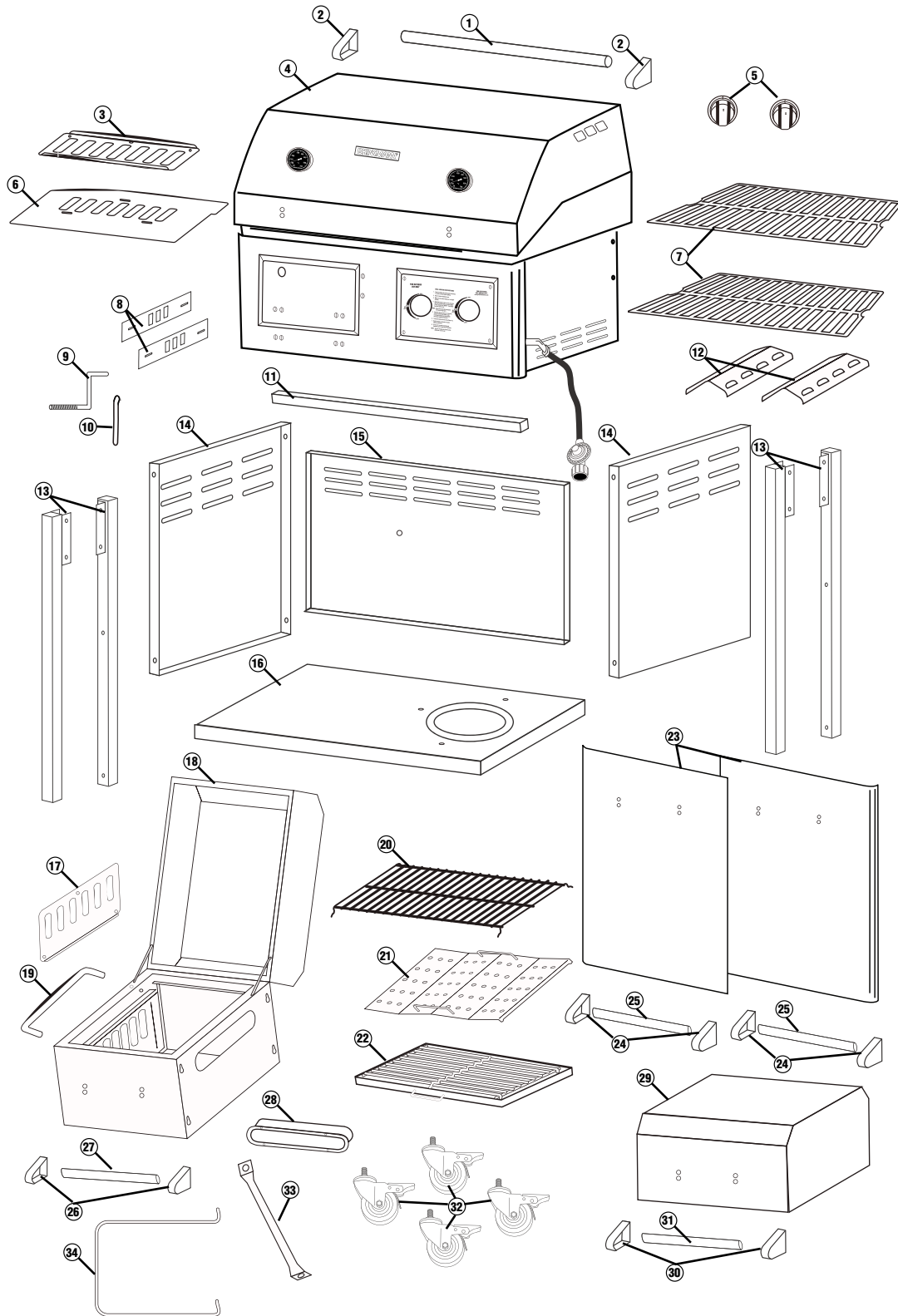
WE RECOMMEND TWO PEOPLE WORK TOGETHER WHEN ASSEMBLING THIS UNIT.

The following provided tool is required to assemble this Brinkmann Triple Function Grill:

- **Phillips Head Screwdriver**
- **Pliers**
- **Adjustable Wrench**

PARTS LIST:

- | | |
|--|------------------------------------|
| ① 1 Grill Lid Handle | ⑰ 1 Firebox Air Shutter |
| ② 2 Grill Lid Handle Stands | ⑱ 1 Firebox |
| ③ 1 Center Divider Vent | ⑲ 1 Left side Firebox Handle |
| ④ 1 Grill Body | ⑳ 1 Firebox Cooking Grill |
| ⑤ 2 Knobs | ㉑ 1 Charcoal Grate |
| ⑥ 1 Center Divider | ㉒ 1 Ash Pan |
| ⑦ 2 Cooking Grills | ㉓ 2 Front Doors |
| ⑧ 2 Air Shutters | ㉔ 4 Front Door Handle Stands |
| ⑨ 1 Crank | ㉕ 2 Front Door Handles |
| ⑩ 1 Door Handle | ㉖ 2 Firebox Handle Stands |
| ⑪ 1 Door Bracket | ㉗ 1 Firebox Handle |
| ⑫ 2 Heat Distribution Plates | ㉘ 1 Firebox Flue |
| ⑬ 4 Legs - left front leg, right front leg,
left back leg, right back leg | ㉙ 1 Right Side Table |
| ⑭ 2 Side Panels | ⑳ 2 Right Side Table Handle Stands |
| ⑮ 1 Back Panel | ㉑ 1 Right Side Table Handle |
| ⑯ 1 Bottom Panel | ㉒ 4 Locking Casters |
| | ㉓ 1 Tank Block Bar |
| | ㉔ 1 Tank Retention Wire |



FOR COVERS, ACCESSORIES AND OTHER PRODUCTS, PLEASE VISIT US ONLINE AT:

www.brinkmann.net

FOR GRILL WARRANTY REPLACEMENT PARTS, PLEASE VISIT US AT:

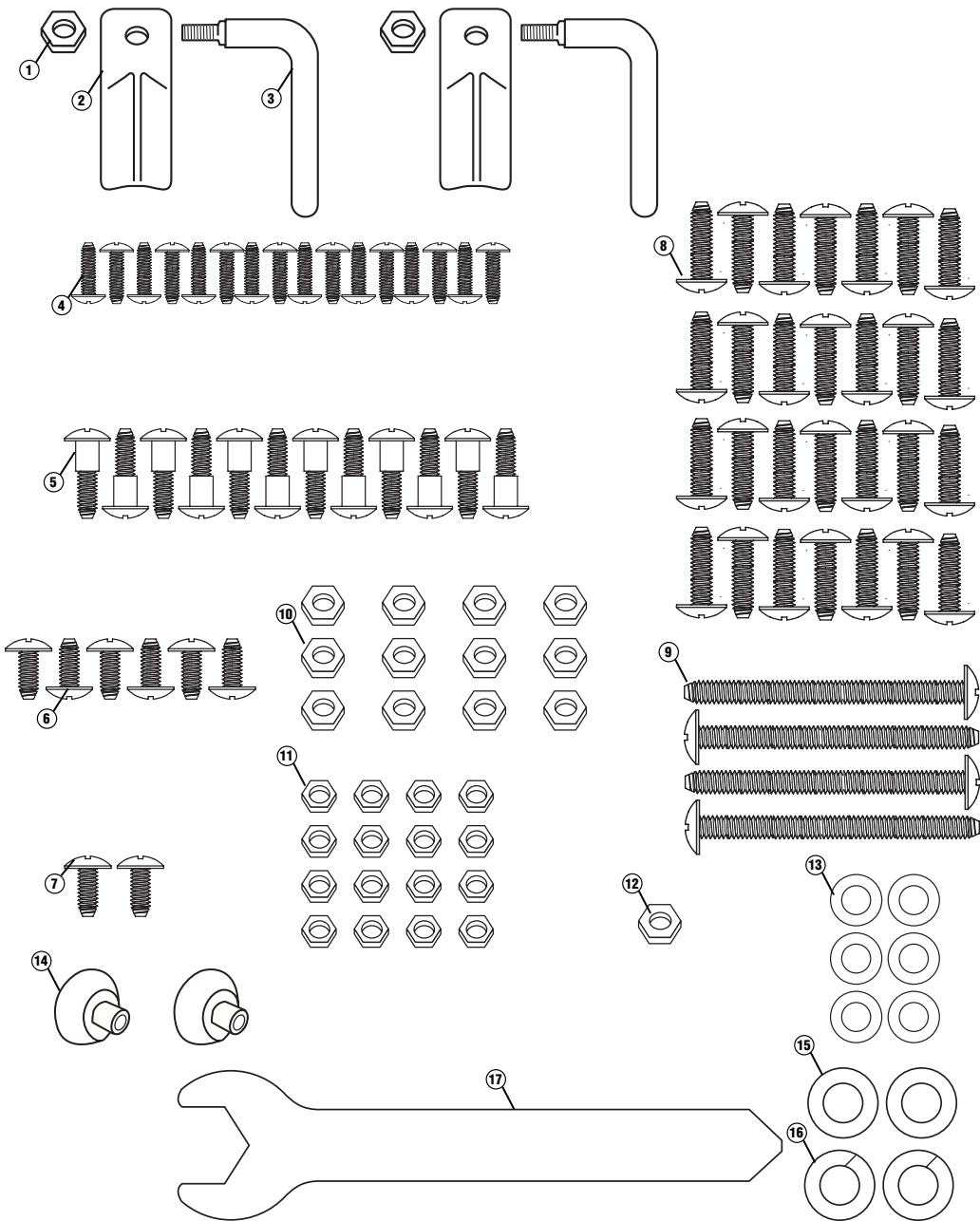
www.grillpartsonline.com

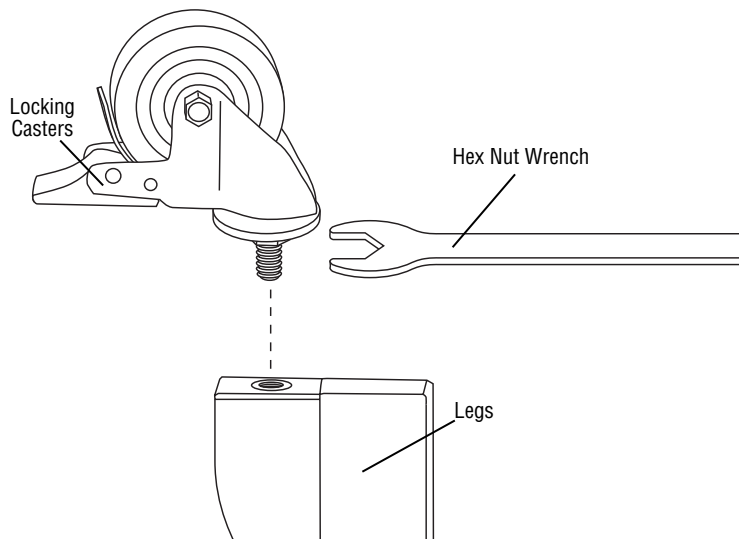
(Proof of purchase will be required.)

Inspect contents of the box to ensure all parts are included and undamaged.

PARTS BAG CONTENTS

- ① 2 M10 Nuts
- ② 2 Door Locking Plates
- ③ 2 Door Handles
- ④ 16 M4 X 10mm Bolts
- ⑤ 12 M6 X 15 Shoulder Bolts
- ⑥ 6 M5 X 10mm Bolts
- ⑦ 2 M6 X 10mm Bolts
- ⑧ 28 M6 X 15mm Bolts
- ⑨ 4 M6 X 50mm Bolts
- ⑩ 12 M6 Nuts
- ⑪ 16 M4 Nuts
- ⑫ 1 M5 Nut
- ⑬ 6 M6 Washers
- ⑭ 2 Vent Knobs
- ⑮ 2 M10 Washers
- ⑯ 2 M10 Spring Washers
- ⑰ 1 Hex Nut Wrench

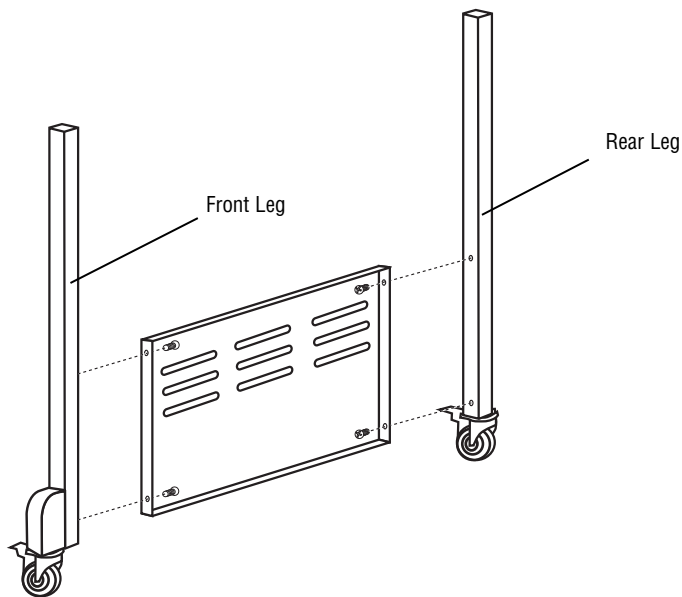




Choose a good, cleared assembly area and get a friend to help you put your grill together. Lay cardboard down to protect grill finish and assembly area. Turn the grill on its side to begin assembly.

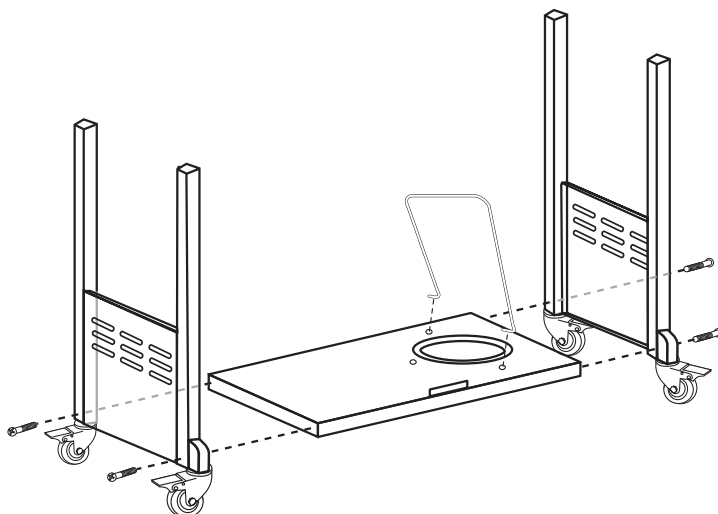
Step 1

Attach locking casters to bottom of each leg. Tighten caster bolts securely using hex nut wrench provided in parts pack.



Step 2

Attach left side panel to left front leg and left rear leg by using four M6 X 15mm bolts. Repeat for the right side panel and right legs.



Step 3

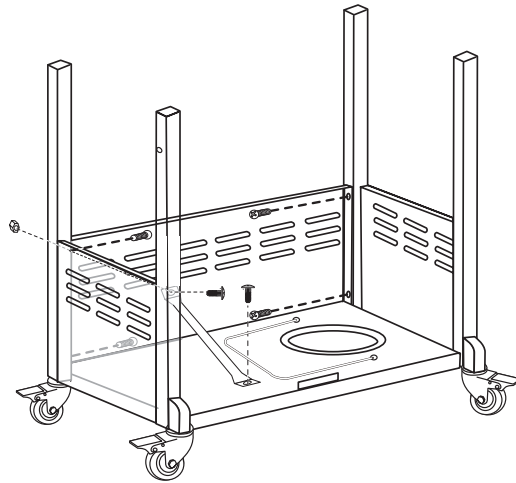
Attach bottom panel to the left and right panel assemblies by using four M6 X 50mm bolts.

Step 4

Insert tank lock wire through two small holes in cart base as illustrated.

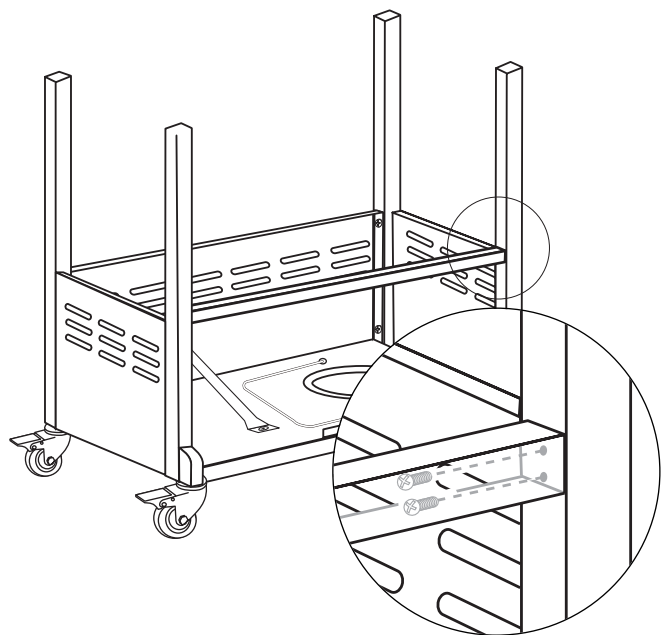
Step 5

Attach rear panel to cart assembly by using four M6 X 15mm bolts. After rear panel is attached, secure tank block bar to the rear panel using one M5 X 10mm bolt and M5 nut. Secure the bottom of the tank block bar to the cart base with one M5 X 10mm bolt.



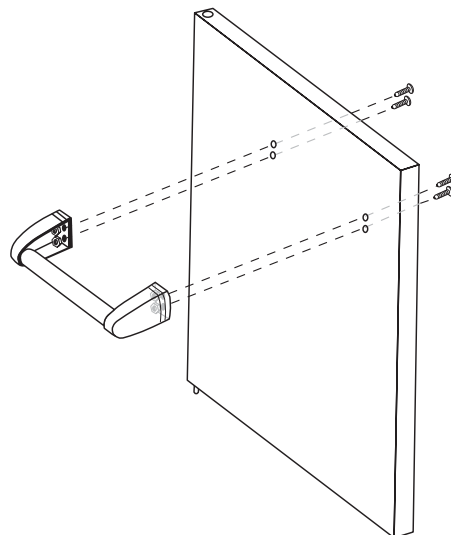
Step 6

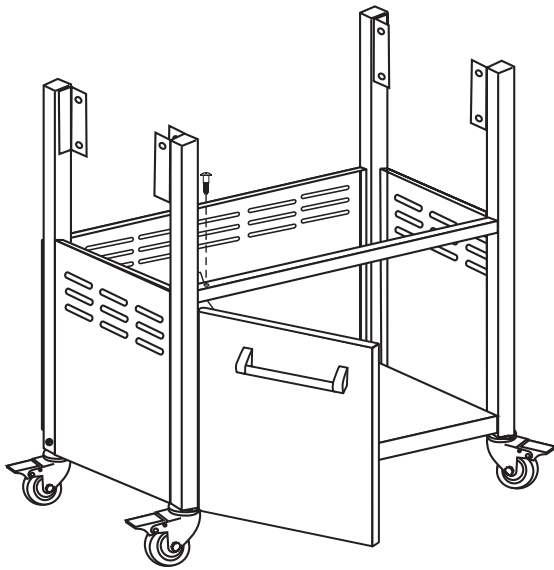
Attach door frame bracket to front of cart assembly by using four M6 X 15mm bolts.



Step 7

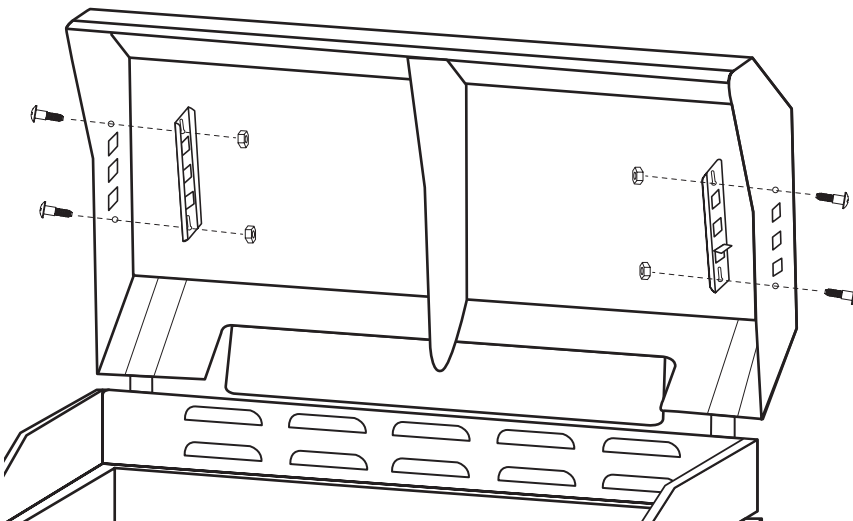
Install a door handle stand to the door using two M4 X 10mm bolts, and M4 nuts. Next insert door handle into handle stand. Place the other handle stand over handle and attach by using two M4 X 10mm bolts and two M4 nuts. Repeat for other door





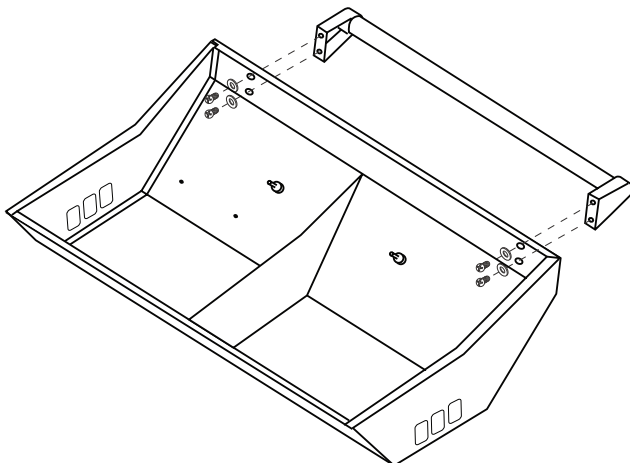
Step 8

Install left door by inserting the lower door pivot into the pivot hole of bottom panel. Align the hole in the top of the door with the hole in the door bracket and insert one M6 X 15mm shoulder bolt, tighten securely. Repeat for the other door.



Step 9

Attach the air shutter to the inside of grill hood by aligning the air shutter with grill hood holes, secure by using two M6 X 15mm shoulder bolts and M6 nuts. Repeat for opposite side of grill hood.

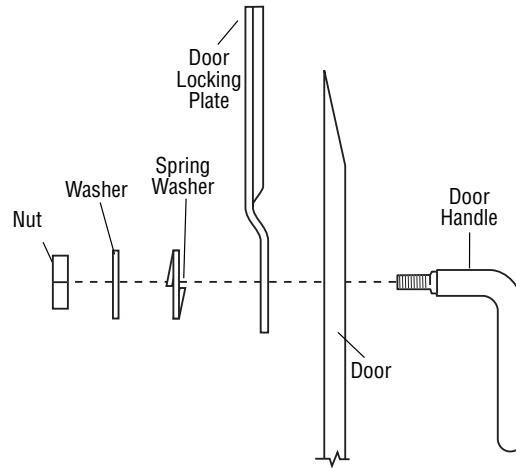


Step 10

Attach hood handle stand to grill lid using two M6 X 15mm bolts, M6 washers and M6 nuts. Insert hood handle into the handle stand. Then attach other hood handle stand to grill handle and secure to grill hood using two M6 X 15mm bolts, M6 washers and M6 nuts.

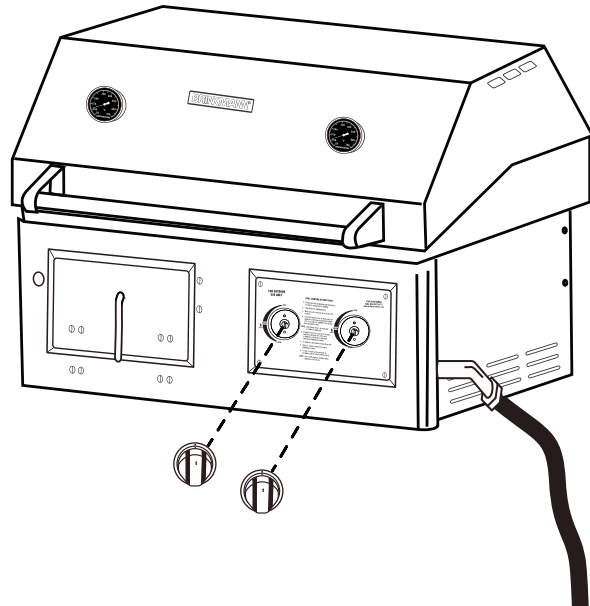
Step 11

Insert door handle through hole in door with handle pointing down. Place door locking plate over door handle pointing up and secure with a M10 nut, M10 washer and M10 spring washer.



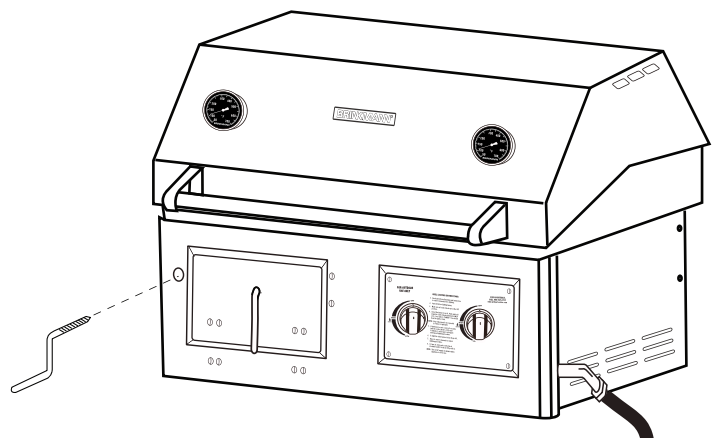
Step 12

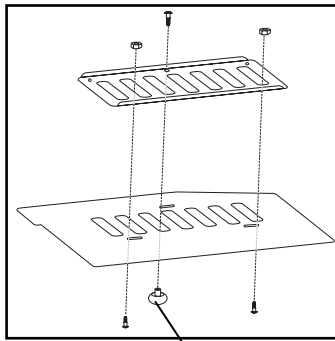
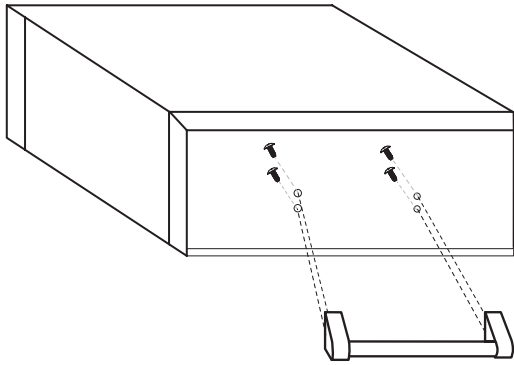
Place the control knobs on the control panel.



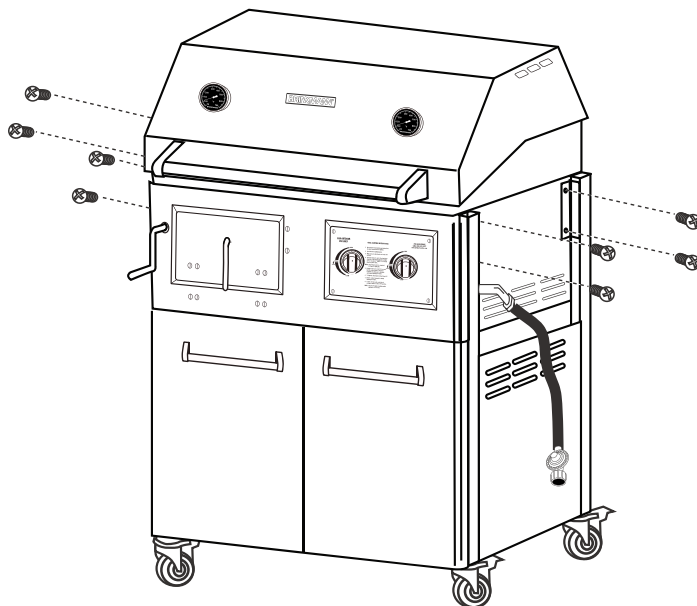
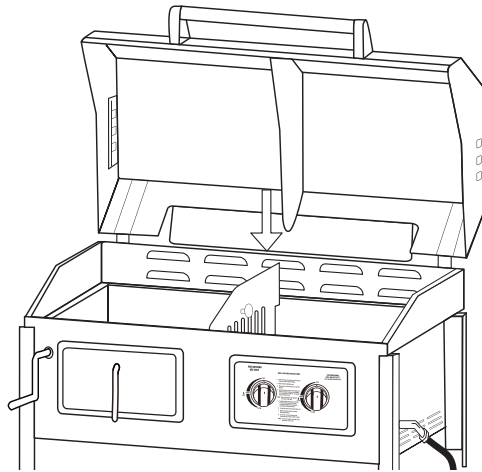
Step 13

Insert adjuster crank through front of grill body and into crank brackets. Rotate clockwise until cranks engage charcoal grates.





Vent Knob



Step 14

Attach handle stand to right side table using two M4 X 10mm bolts, and M4 nuts. Insert handle into the side table handle stand. Then attach other handle stand to side table handle and secure to side table using two M4 X 10mm bolts, and M4 nuts.

Step 15

Install middle vent onto the center divider using three M6 X 15mm shoulder bolts, middle vent knob and two M6 nuts.

Step 16

Install the center divider into the tracks between the two sections of the grill body.

Note: When performing Step 17, lift grill body from front and rear panels to avoid injury to hands and fingers.

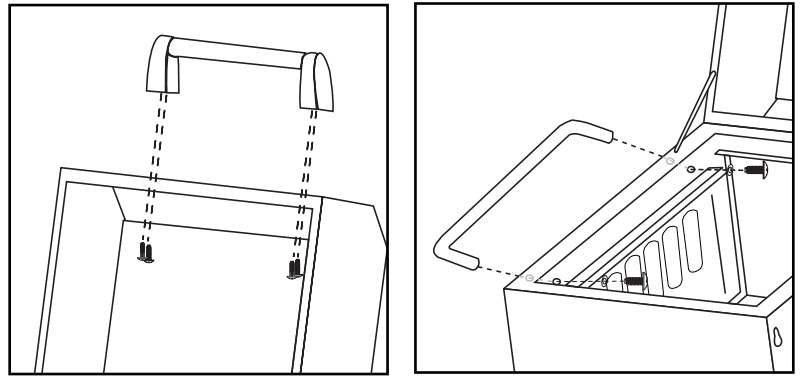
Step 17

With the help of a friend, place grill body assembly on assembled cart frame. Grill body will rest on angled vertical supports. Align bolt holes located on the outside of the grill body assembly. Secure using eight M6 X 15mm bolts.

Warning: Never use your grill without leak testing all gas connections and hoses. See the section on "Leak Testing" in this manual for proper procedures.

Step 18

Attach firebox handle stand to firebox lid using two M4 X 10mm bolts, and M4 nuts. Insert firebox handle into the handle stand. Then attach other handle stand to firebox lid and secure using two M4 X 10mm bolts, and M4 nuts.

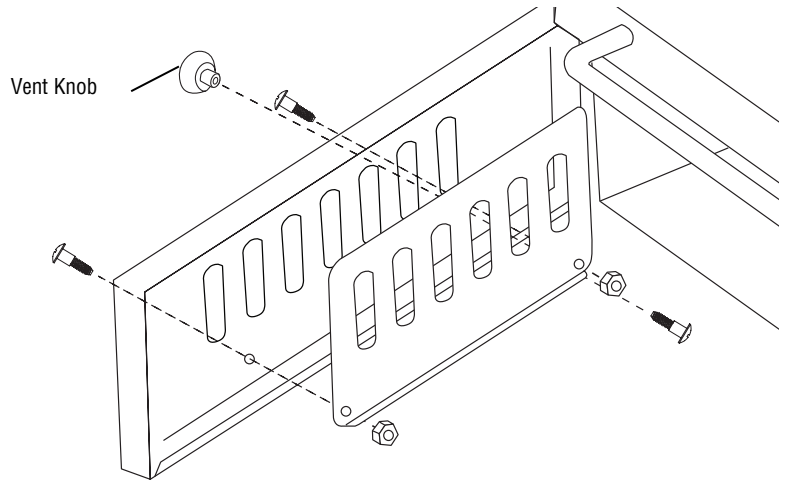


Step 19

Install handle of left side firebox using two M6 X 10mm bolts and M6 washers.

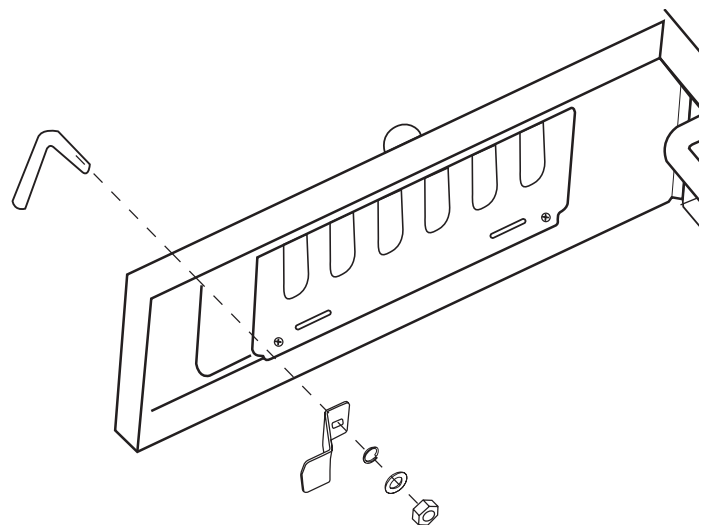
Step 20

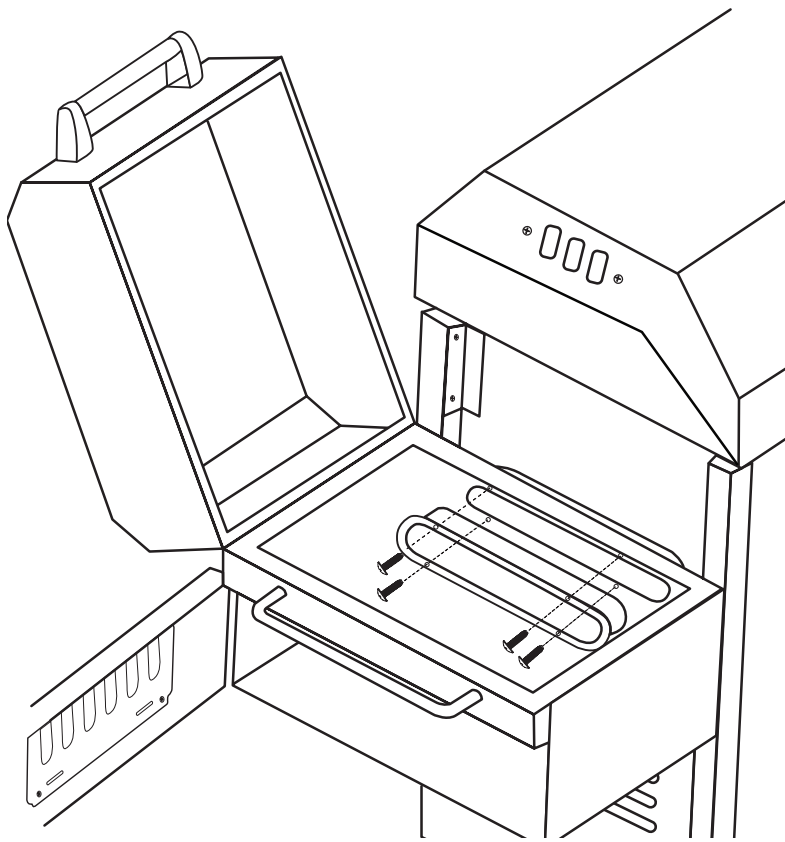
Install door vent onto the firebox using three M6 X 15mm shoulder bolts, vent knob and two M6 nuts.



Step 21

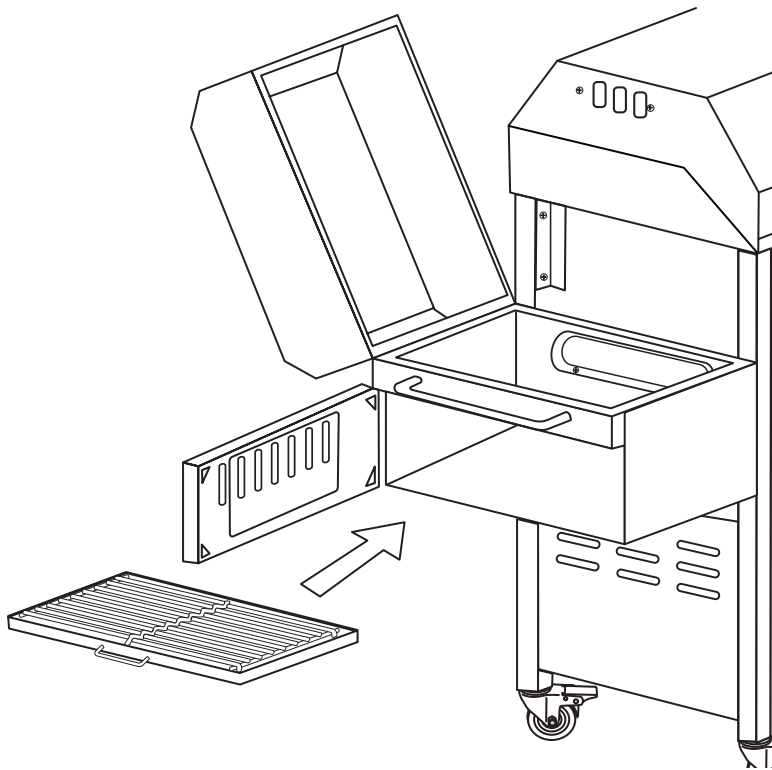
Insert firebox door handle through hole in firebox door with handle pointing down. Place door locking plate over door handle pointing up and secure with a M10 nut, M10 washer and M10 spring washer.





Step 22

Install the firebox flue and the firebox to the left side of grill body using four M5 X 10mm bolts. Tighten securely.

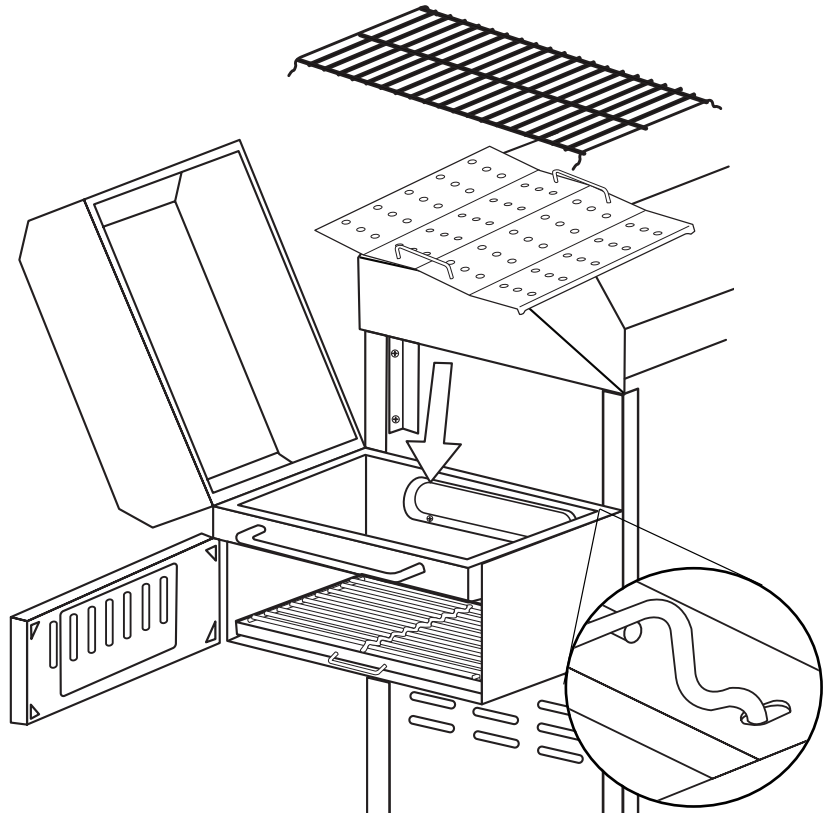


Step 23

Place the ash pan inside the firebox.

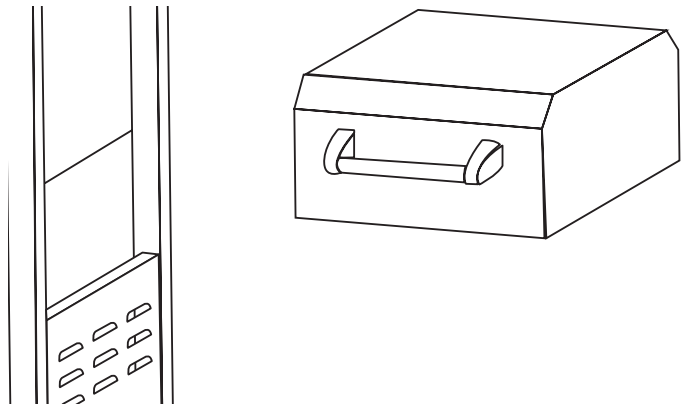
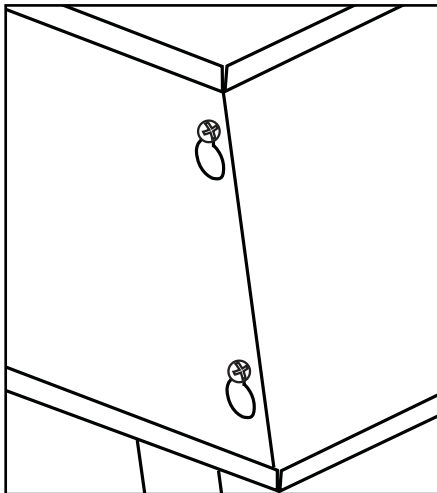
Step 24

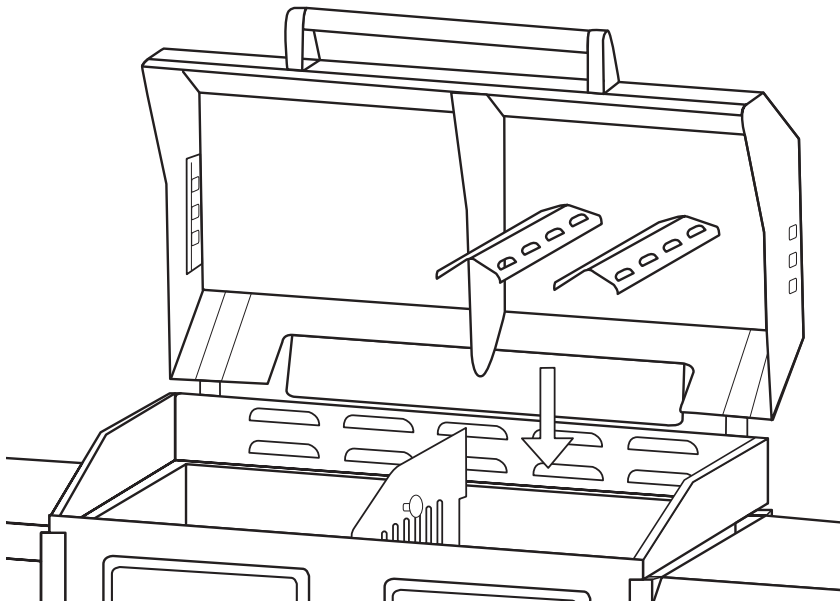
Place the charcoal grate on support ribs directly above ash pan. Place the charcoal grill in holes on firebox rim above the charcoal grate and secure it onto the firebox.



Step 25

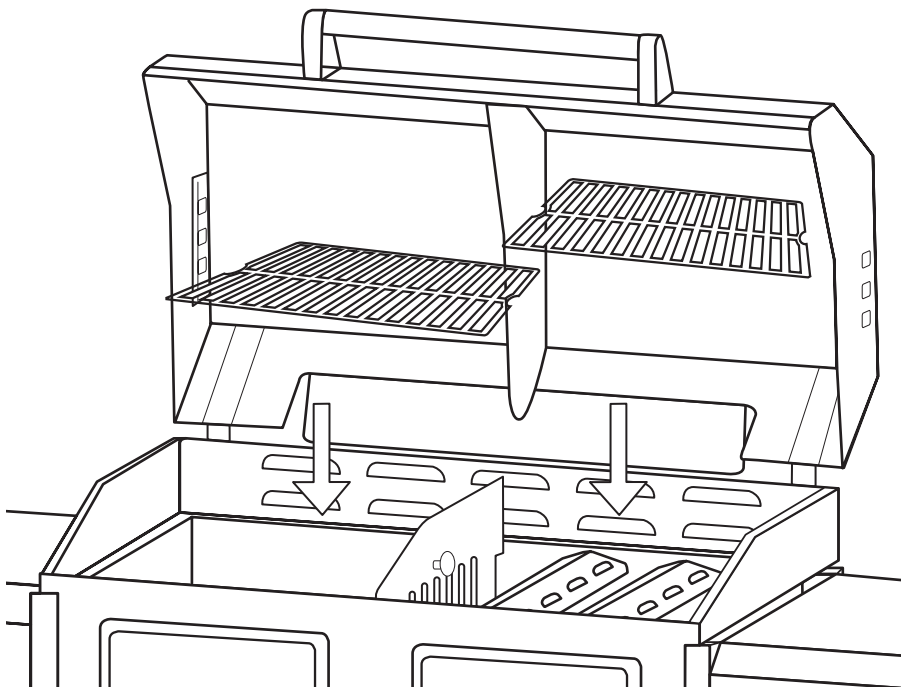
To attach the right side table, slide the right side table over the pre-attached bolts. Press down to lock in position and tighten securely.





Step 26

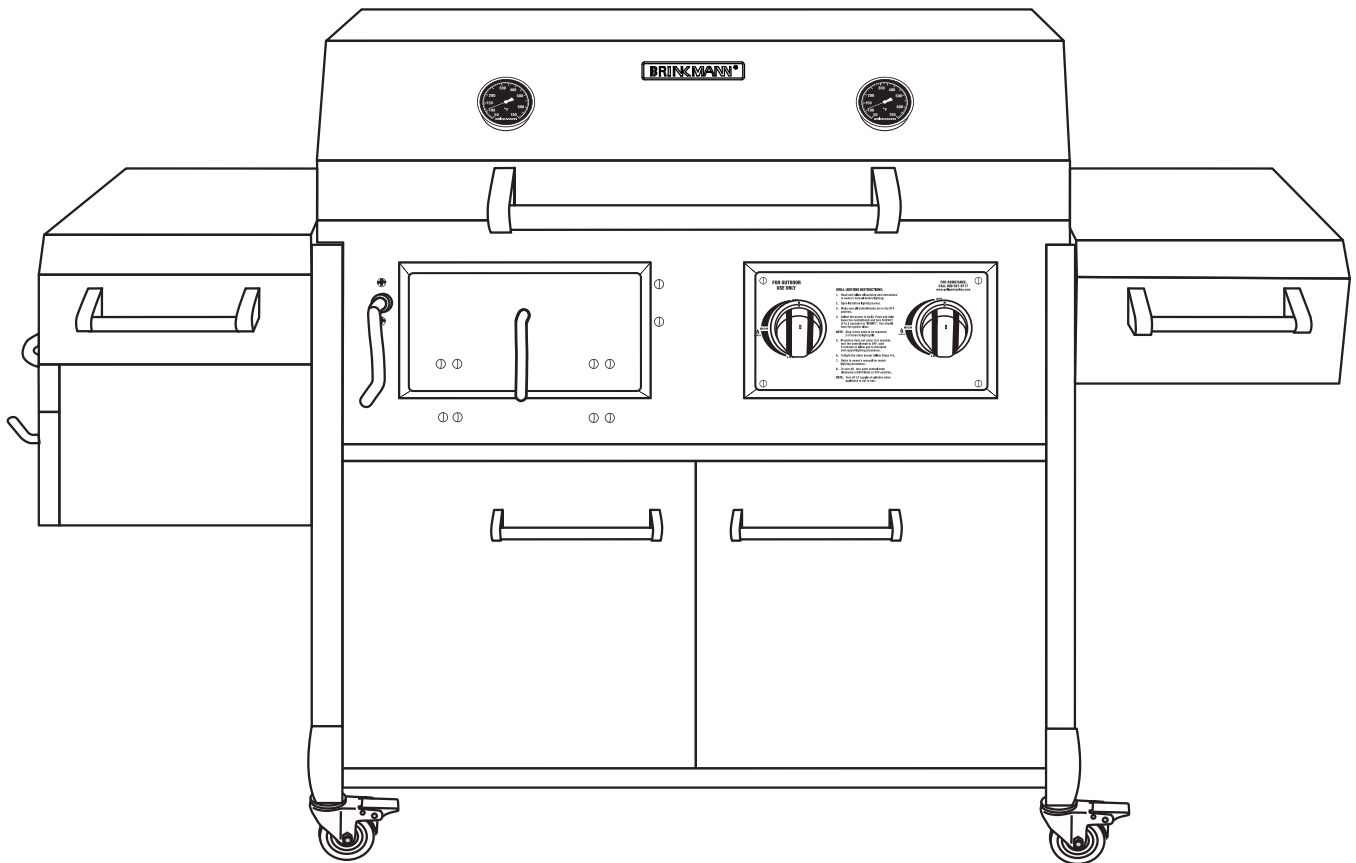
Place the heat distribution plates on lower level of grill body assembly directly above burners.



Step 27


Place cooking grills on support ribs directly above heat distribution plates.

Brinkmann 3830 (Assembled)





IMPORTANTES ADVERTENCIAS DE SEGURIDAD

ES NUESTRO DESEO QUE ARME Y UTILICE SU PARRILLA EN LA FORMA MÁS SEGURA POSIBLE. EL PROPÓSITO DE ESTE SÍMBOLO DE ALERTA DE SEGURIDAD  ES QUE USTED PRESTE ATENCIÓN A LOS POSIBLES PELIGROS CUANDO ARME Y UTILICE SU PARRILLA.

¡CUÁNDO VEA ESTE SÍMBOLO DE ALERTA DE SEGURIDAD  PRESTE ESPECIAL ATENCIÓN A LA INFORMACIÓN A CONTINUACIÓN!

 LEA DETENIDAMENTE TODAS LAS ADVERTENCIAS DE SEGURIDAD E INSTRUCCIONES ANTES DE ARMAR Y USAR LA PARRILLA.

PELIGRO

SI HUELE GAS:

1. Apague el gas al artefacto.
2. Apague cualquier llama expuesta.
3. Abra la tapa.
4. Si el olor persiste, subsistencia lejos de la aplicación y llame de inmediato a su proveedor de gas o a los bomberos.

ADVERTENCIA

1. No guarde ni use gasolina ni otros líquidos inflamables con vapores en las cercanías de este o de ningún otro artefacto.
2. Un cilindro de propano líquido que no esté conectado para ser utilizado no debe ser mantenido cerca de éste o ningún otro artefacto.

PELIGRO



- NO guarde un cilindro de gas de propano líquido de reserva debajo o cerca de este artefacto.
- Nunca llene el cilindro más de 80%.
- Se puede producir un incendio y causar lesiones o hasta la muerte si no se siguen estas instrucciones en forma exacta.

ÍNDICE

SECCIÓN DE LA PARRILLA DE GAS

Advertencias Generales	38
Instalación, Especificaciones y Uso Seguro del Cilindro de Propano Líquido	39-41
Conexión del Cilindro de Propano Líquido y de la Manguera / Regulador a la Parrilla.	41-42
Pruebas de Detección de Fugas	43-44
Lista de Verificación Preliminar al Encendido	44
Instrucciones de Encendido	45
Funcionamiento de la Parrilla y Recomendaciones Útiles	46-47

SECCIÓN DEL CARBÓN DE LEÑA

Advertencias Generales.	48-49
Instrucciones de Funcionamiento	50-52
Seguridad del Uso Posterior / Transporte y Almacenaje	52
Cuidado y Mantenimiento Apropriados	53-54
Identificación y Resolución de Problemas	55
Preguntas Frecuentes	56-57
Lista de Partes e Instrucciones de Armado	58-70
Información de la Garantía	Cubierta Trasera

⚠ PELIGRO: Indica una situación peligrosa inminente la cual, si no se evita, producirá lesiones graves o aún la muerte.

⚠ ADVERTENCIA: Manténgase alerta a la posibilidad de lesiones corporales graves si no se siguen las instrucciones. Asegúrese de leer y seguir cuidadosamente todos los mensajes.

⚠ PRECAUCIÓN: Indica una situación posiblemente peligrosa la cual, si no se evita, puede producir lesiones menores o moderadas.

PARA CUBIERTAS, ACCESORIOS Y OTROS PRODUCTOS, FAVOR DE VISITARNOS POR LA RED MUNDIAL EN: www.brinkmann.net

PARA PARTES DE REEMPLAZO DE PARRILLA BAJO GARANTIA, FAVOR DE VISITARNOS POR LA RED MUNDIAL EN: www.grillpartsonline.com

ADVERTENCIAS GENERALES PARA LA PARRILLA DE GAS

ADVERTENCIA

- Nunca use gas natural en una unidad diseñada para gas de propano líquido.
- Nunca use briquetas de carbón en una parrilla de gas. Los pedacitos de madera para dar sabor se deben colocar en una cajita de fumar de metal para contener la ceniza y para prevenir fuegos.
- Lea y siga todas las advertencias en la sección Advertencias Generales para la Parrilla de Carbón en la página 48 de este manual.
- Realice una prueba de detección de fugas en todas las conexiones antes de usar la parrilla por primera vez, aún si compró la parrilla armada, y después de cada llenado del tanque.
- Nunca use un cerillo o llama expuesta para detectar fugas.

 **¡CUIDADO!** Los olores fuertes, los resfríos o la congestión nasal pueden impedir la detección de propano. Sea precavido y utilice sentido común cuando realice pruebas de detección de fugas.

- Siempre mantenga la parrilla de gas alejada de la gasolina, fluido de encendedor, diluyente de pintura u otros vapores o líquidos inflamables o materiales combustibles.
- Siempre revise la parrilla antes de cada uso, tal como se indica en la sección "Lista de verificación preliminar al encendido" de este manual.
- NO obstruya el flujo del aire de combustión o ventilación.
- Nunca coloque más de 15 libras sobre la mesa lateral. NO se apoye sobre la mesa lateral.
- Mantenga a los niños y las mascotas alejados de la parrilla caliente. NO permita que los niños usen o jueguen cerca de esta parrilla.
- NO deje la parrilla desatendida mientras está en uso.
- NO permita que la manguera de gas haga contacto con superficies calientes.
- NO permita que la grasa del agujero de drenaje caiga sobre la manguera o el conjunto del regulador de la válvula.
- Mantenga todos los cables de alimentación eléctrica alejados del agua o superficies calientes.
- Mantenga a mano un extinguidor de incendios aceptable para usar con productos de gas. Consulte con su autoridad local para determinar el tamaño y tipo correctos.
- Para uso doméstico únicamente. NO use esta parrilla para ningún propósito que no sea el previsto.
- NO use la parrilla bajo la influencia de alcohol o drogas.
- La parrilla está caliente cuando está en uso. Para evitar las quemaduras:
 - NO trate de mover la parrilla.
 - Trabe las ruedas para que la parrilla no se mueva accidentalmente.
 - Use guantes protectores o guantes para el horno.
 - NO toque ninguna superficie caliente de la parrilla.
 - NO use ropa suelta ni permita que el cabello haga contacto con la parrilla.

 **SEA PRECAVIDO Y UTILICE SENTIDO COMÚN CUANDO OPERE LA PARRILLA DE GAS.**

HACER CASO OMISO A LAS ADVERTENCIAS DE SEGURIDAD E INSTRUCCIONES EN ESTE MANUAL PUEDE PRODUCIR GRAVES LESIONES PERSONALES O DAÑOS MATERIALES.

GUARDE ESTE MANUAL PARA REFERENCIA FUTURA.

⚠ ADVERTENCIA

- **PARA USO EXTERIOR ÚNICAMENTE.** NO opere la parrilla en áreas interiores o en un área cerrada como un garaje, cobertizo o pasadizo.
- Use la parrilla **AL AIRE LIBRE** en un espacio bien ventilado alejado de viviendas u otros edificios para prevenir los peligros asociados con la acumulación de gas y los vapores tóxicos. Recomendamos que la parrilla se sitúe a una distancia mínima de 10 pies (3,1 m) de los edificios. No adherirse a estas distancias prevendrá ventilación apropiada y puede aumentar el riesgo de daño de fuego y/o a propiedad, que podría resultar también en heridas personales.
- Mantenga un espacio mínimo de 72 pulgadas (183 cm) entre todos los costados de la parrilla, barandas de terraza, paredes u otros materiales combustibles. **NO** use la parrilla debajo de construcciones combustibles elevadas desprotegidas.
- **NO** use ni instale esta parrilla en o sobre un vehículo recreativo y/o un bote.

INFORMACIÓN DE INSTALACIÓN:

Este artefacto debe instalarse de acuerdo con:

Todos los códigos locales relevantes o, si no existen códigos locales, ya sea:

- Código de Gas Combustible de EE.UU. ANSI Z223.1 NFPA 54
- Código de instalación de gas natural y propano: CAN/CGA B149.1
- Código de instalación de gas natural: CAN/CGA B149.1 (Canadá)
- Código de instalación de propano: CAN/CGA B149.2 (Canadá)

Consulte con su distribuidor local de gas de propano líquido o con la compañía de gas natural con respecto a los códigos locales. Esta parrilla no fue diseñada para conectarla a una línea de suministro de gas natural. Si se utiliza una fuente eléctrica externa, debe estar conectada a tierra de acuerdo con los códigos locales o, en caso que no los haya, con el Código Eléctrico de EE.UU., ANSI/NFPA 70, o el Código Eléctrico Canadiense, CSA 22.1.

⚠ ADVERTENCIA

CILINDRO DE GAS DE PROPANO LÍQUIDO (NO SE INCLUYE CON ESTA PARRILLA)

El cilindro de propano líquido puede comprarse en el mismo lugar donde compró la parrilla.

El cilindro de gas de propano líquido diseñado específicamente para usarse con esta parrilla debe tener una capacidad de 20 libras (9,1 kg) e incorporar una válvula de cilindro tipo 1 y un dispositivo de protección contra el llenado excesivo (OPD).

- Esta parrilla esta diseñada para usarse con Worthington, Manchester o marca SMPC 20 libras (9,1 kg) cilindros. Cilindros de diferentes marcas DOT pueden utilizarse en esta parrilla si el cilindro tiene las dimensiones semejantes de la cima y anillos inferiores.
- **NO** conecte esta parrilla a una válvula de cilindro POL #510 existente con roscas izquierdas. La válvula de tipo 1 puede identificarse con las roscas externas grandes en la salida de la válvula.
- **NO** conecte un cilindro de propano que exceda esta capacidad.
- **NO** conecte la parrilla a un cilindro que utilice cualquier otro tipo de dispositivo de conexión de válvula.

ESPECIFICACIONES DEL CILINDRO

Cuando compre o cambie un cilindro para la parrilla de gas, debe estar construido y marcado de acuerdo con las especificaciones para cilindros de gas de propano líquido del Departamento de Transporte (DOT) de EE.UU. o la Norma Nacional de Canadá, CAN/CSA-B339: Cilindros, esferas y tubos para el transporte de artículos peligrosos; y de la Comisión, según corresponda; y debe estar equipado con un dispositivo de protección contra el llenado excesivo (OPD) aprobado y con un dispositivo de conexión de cilindro compatible con la conexión para artefactos para cocinar al aire libre.

Además, el cilindro debe estar equipado con:

- Una válvula de cierre que termine en una salida de válvula para cilindro de gas de Tipo 1.
- La altura nominal del cilindro = 18 pulgadas (45.7 centímetros), diámetro = 12 pulgadas (30.5 centímetros) y diámetro inferior del anillo = 8 pulgadas (20.3 centímetros).
- Una válvula de Tipo 1 que prevenga el flujo de gas hasta que exista un sello positivo.
- Un mecanismo para extraer el vapor.
- Un collar para proteger la válvula de cierre del cilindro.
- Un dispositivo de alivio de seguridad comunicado directamente con el espacio de vapor del cilindro.
- Un dispositivo de protección contra el llenado excesivo (OPD) aprobado.

ADVERTENCIA

- **Cierre la válvula del cilindro cuando no esté usando la parrilla.**
- **Maneje el tanque con cuidado.**
- **Siempre mantenga el cilindro en posición vertical.**
- **Nunca conecte un cilindro de gas de propano líquido no regulado a la parrilla.**
- **NO esponga los cilindros de gas de propano líquido a calor excesivo o a fuentes de encendido.**
- **NO guarde un cilindro de gas de propano líquido de reserva debajo o cerca de la parrilla.**
- **Sólo los distribuidores de gas de propano líquido capacitados deben llenar o reparar su cilindro.**
- **NO permita que el cilindro sea llenado más del 80% de su capacidad.**
- **Lea y siga todas las advertencias e instrucciones en el cilindro y que acompañan a este producto.**

PELIGRO

- **Nunca guarde un cilindro de gas de propano líquido de reserva debajo o cerca de la parrilla. Esto puede causar una descarga de presión excesiva a través de la válvula de alivio de vapor y producir un incendio, explosión o lesiones personales graves, incluso la muerte.**

Nota: EL GAS DE PROPANO ES MÁS PESADO QUE EL AIRE Y SE ACUMULARÁ EN ÁREAS BAJAS. LA VENTILACIÓN APROPIADA ES EXTREMADAMENTE IMPORTANTE.

- **Mantenga el (los) orificio(s) de ventilación del gabinete del cilindro de gas de propano líquido despejados y sin obstrucciones o residuos.**
- **NO inserte ningún objeto extraño en la salida de la válvula. Esto puede dañar el mecanismo de retención de retroceso. Un mecanismo de retención de retroceso puede causar una fuga y posiblemente producir una explosión, incendio, lesiones corporales graves o aún la muerte.**

⚠ ADVERTENCIA

LLENADO DEL CILINDRO DE GAS DE PROPANO LÍQUIDO:

- Sólo los distribuidores de gas de propano líquido capacitados deben llenar o reparar su cilindro.
- Los tanques nuevos deben ser purgados antes de llenarlos; dígame al distribuidor de gas si está usando un tanque nuevo.
- **NO permita que el cilindro sea llenado más del 80% de su capacidad. Los tanques llenados en exceso pueden crear una condición peligrosa. Los tanques llenados en exceso pueden acumular presión y hacer que la válvula de alivio expulse vapores de gas de propano. El vapor es combustible y, si hace contacto con una fuente de chispas o una llama, puede producirse una explosión y causar quemaduras graves, lesiones corporales o hasta la muerte.**
- Siempre utilice una tapa de protección del cilindro cuando la parrilla no esté conectada al mismo.
- Si cambia un cilindro en un programa de cambio apropiado, verifique que el cilindro tenga una válvula de Tipo 1 y un dispositivo de protección contra el llenado excesivo (OPD).

INSTALACIÓN DEL CILINDRO DE GAS DE PROPANO LÍQUIDO EN LA PARRILLA:

1. Verifique que la válvula del cilindro está cerrada girando la perilla en sentido horario.
2. Coloque el cilindro en el portatanque en el extremo inferior del gabinete.
3. Sitúe el cilindro de manera que la abertura de la válvula apunte hacia la mesa del lado derecho y de modo que la manguera no esté doblada o dañada.
4. Asegúrese que el tanque quede sentado firmemente sobre el agarradero del tanque.
5. Conecte o desconecte el regulador al cilindro de gas de propano líquido sólo cuando el cilindro está asentado en el portatanque.

MANGUERA Y REGULADOR:

Su parrilla esta equipada con un dispositivo de conexión Tipo 1 con las siguientes características:

1. El sistema no permitirá que fluya gas desde el cilindro hasta que haya una conexión positiva a la válvula.

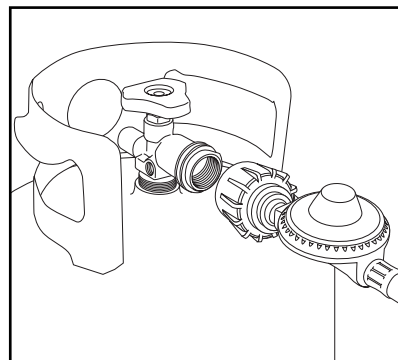
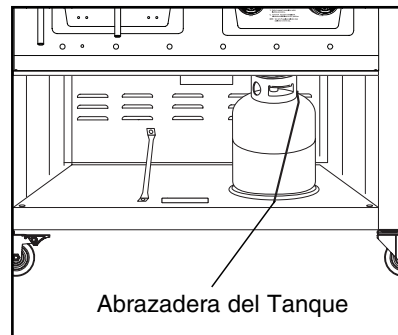
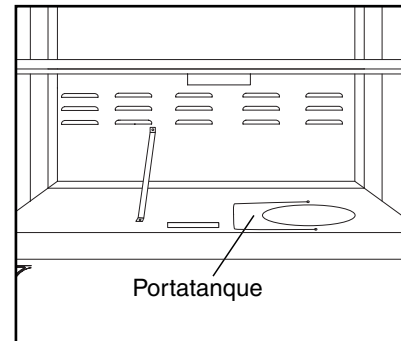
Nota: La válvula del cilindro debe cerrarse antes de conectar o desconectar.

2. Un dispositivo térmico cerrará el flujo de gas si se expone a temperaturas de más de 240 °F a 300 °F (115 °C a 150 °C). Si esto ocurre, retire el conjunto completo del regulador y deséchelo correctamente. Puede comprar un conjunto de regulador de repuesto comunicándose con el servicio de atención al cliente al 800-527-0717. Se debe determinar la causa del calor excesivo y se debe corregir antes de usar la parrilla nuevamente.

3. Cuando está activado, un dispositivo limitador de flujo del regulador restringe el flujo de gas a 10 pies cúbicos por hora. Si el dispositivo limitador de flujo está activado, aplique el Procedimiento de Reposición del Regulador.

PROCEDIMIENTO DE REPOSICIÓN DEL REGULADOR

1. Gire las perillas de control de las hornillas a "OFF" (apagado), apague la válvula del cilindro y desconecte el regulador del tanque de gas de propano líquido. Espere aproximadamente dos minutos.
2. Reconecte el regulador y gire lentamente la válvula del cilindro para encenderla. Ahora el dispositivo limitador de flujo está reposicionado.



⚠ ADVERTENCIA

- **Nunca use la parrilla sin haber verificado que no hay fugas en las conexiones y mangueras de gas. Consulte los procedimientos apropiados en la sección de "Pruebas de detección de fugas" en este manual.**

⚠ ADVERTENCIA

Se debe utilizar el conjunto del regulador de presión y manguera suministrado con la parrilla de gas.

- **NO procure conectar parrilla, como comprado para gas propano líquido (LP), a cualquier otra fuente del suministro del combustible tal como una línea de gas natural.**
- **NO use ningún otro conjunto de regulador de presión/manguera que no sea el suministrado con la parrilla. El número de parte del conjunto de regulador de presión/manguera de repuesto debe ser Brinkmann N° 155-3830-0 y puede obtenerse comunicándose con Brinkmann al 800-527-0717.**
- **NO intente ajustar o reparar el regulador. El regulador está diseñado para operar a una presión de salida máxima de 11 pulgadas de columna de agua (2,74 kPa).**

Durante la instalación y/o reemplazo del cilindro de gas, mantenga la manguera de suministro sin dobleces ni daños.

Inspeccione visualmente la manguera antes de cada uso para detectar daños, desgaste excesivo o deterioro. Si detecta daños, reemplace el conjunto antes de usar la parrilla. Sólo debe usarse el repuesto suministrado por el fabricante.

⚠ ADVERTENCIA

CONEXIÓN DE LA MANGUERA Y REGULADOR A UN CILINDRO DE GAS DE PROPANO LÍQUIDO

- **Verifique que la válvula del tanque está CERRADA antes de conectar el cilindro de gas de propano líquido a la parrilla. Gire la perilla de la válvula en sentido horario para cerrarla correctamente. Lea y siga todas las instrucciones y advertencias en las etiquetas de seguridad de la manguera de suministro. Lea y siga todas las advertencias en este manual con respecto al uso seguro de los cilindros de gas de propano líquido y de la manguera y regulador antes de conectar el cilindro a la parrilla. Lea y siga todas las advertencias en el cilindro de propano líquido.**

CONEXIÓN DE LA MANGUERA Y REGULADOR

1. Verifique que la válvula del cilindro está cerrada girando la perilla en sentido horario.
2. Verifique que las perillas de control de las hornillas de la parrilla están en las posiciones OFF (de apagado).
3. Quite la tapa de protección de plástico de la válvula del cilindro.
4. Sujete el regulador e inserte el niple del dispositivo de conexión en la salida de la válvula del cilindro de propano líquido. Asegúrese de que el dispositivo esté centrado correctamente.
5. Gire la tuerca de acoplamiento grande en sentido horario con la mano y apriétela por completo. Tenga cuidado de no estropear las roscas de la tuerca de acoplamiento al instalarla en la válvula del cilindro. No apriete excesivamente la perilla en la válvula. No utilice herramientas para apretar la conexión.

Nota: Si no puede hacer la conexión, repita los Pasos 4 y 5.

6. Asegúrese de que la manguera no esté doblada, que no haga contacto con bordes afilados o superficies que puedan calentarse durante el uso.
7. Revise todos los accesorios para asegurar que no haya fugas antes de encender la parrilla. Consulte la sección de "Pruebas de detección de fugas" en este manual.

⚠ PELIGRO

PRUEBAS DE DETECCIÓN DE FUGAS:

Para impedir los peligros de incendio o explosión:

- NO fume ni permita que haya fuentes de encendido en el área mientras realiza la prueba de detección de fugas.
- Realice la prueba AL AIRE LIBRE únicamente, en un área bien ventilada.
- Nunca realice una prueba para detectar fugas con un cerillo o llama expuesta.
- Nunca realice una prueba para detectar fugas mientras está usando la parrilla o con la parrilla caliente.

⚠ ADVERTENCIA

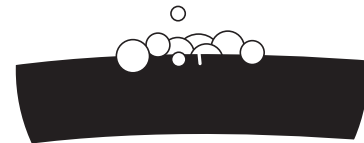
CUÁNDO REALIZAR UNA PRUEBA DE DETECCIÓN DE FUGAS:

- Después de haber armado la parrilla y antes de encenderla por primera vez, aún cuando la haya comprado totalmente armada.
- Cada vez que se llene nuevamente el cilindro de gas de propano líquido o si se reemplaza alguno de los componentes de gas.
- Cada vez que haya movido la parrilla.
- Por lo menos una vez al año si no ha usado la parrilla más de 60 días.

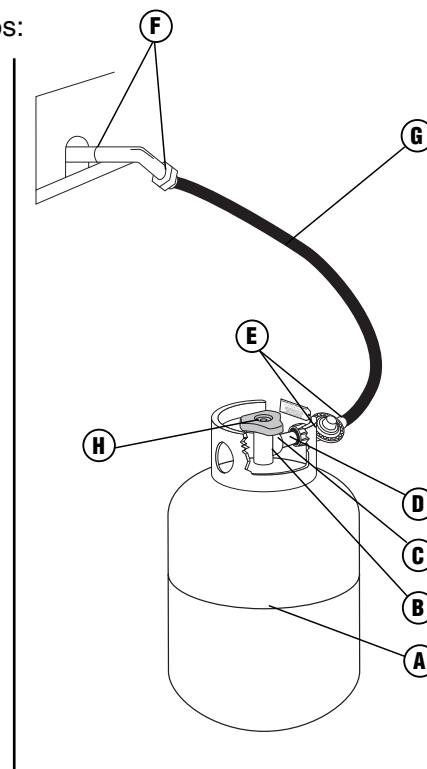
VERIFICACIÓN DE AUSENCIA DE FUGAS:

1. Prepare una mezcla de 50% de agua y 50% de jabón líquido para lavar platos.
2. Abra la tapa.
3. Asegúrese de que todas las perillas de control estén en la posición "OFF" (de apagado).
4. Encienda el suministro de combustible en la válvula del cilindro. Gire la perilla de la válvula del cilindro una vuelta en sentido contrahorario.
5. Aplique la mezcla de agua jabonosa a los siguientes elementos:

Preste atención a las burbujas



- Ⓐ Soldadura del tanque (cilindro) desuministro.
- Ⓑ Tuerca de conexión a la válvula del tanque.
- Ⓒ Lado posterior de la tuerca de conexión al niple de latón.
- Ⓓ Conexión del niple de latón al regulador.
- Ⓔ Conexiones del regulador a las mangueras de suministro de gas.
- Ⓕ Conexión de la manguera al múltiple de gas.
- Ⓖ El largo completo de la manguera de suministro de gas.
- Ⓖ Válvula del tanque al cilindro.



6. Inspeccione cada uno de los elementos indicados (A-H) para ver si hay burbujas, lo cual indica una fuga.
7. Cierre el suministro de gas en la válvula del cilindro.
8. Gire las perillas de control para descargar la presión de gas en la manguera.
9. Gire las perillas de control a la posición "OFF" (de apagado).
10. Apriete todas las conexiones con fuga.
11. Repita la prueba con agua jabonosa hasta que no detecte ninguna fuga.
12. Apague el suministro de gas en la válvula del cilindro hasta que esté listo para usar la parrilla.
13. Limpie el residuo jabonoso con agua fría y seque con una toalla.
14. Espere 5 minutos para permitir la evacuación de todo el gas del área antes de encender la parrilla.

⚠ ¡PRECAUCIÓN! **NO** use la parrilla si no puede eliminar las fugas. Llame a un servicio capacitado de reparación de artefactos a gas.

Nota: La prueba de detección de fugas debe realizarse en un área con iluminación adecuada para ver si se forman burbujas.

⚠ WARNING

Si hace caso omiso a estos pasos de seguridad, se pueden causar daños materiales, lesiones corporales, quemaduras graves o hasta la muerte. Estos pasos deben realizarse después de haber armado la parrilla y antes de cada uso. NO opere esta parrilla hasta que haya leído y entendido TODAS las advertencias e instrucciones en este manual.

LISTA DE VERIFICACIÓN PRELIMINAR AL ENCENDIDO:

- Asegúrese de que la parrilla está armada correctamente.
- Inspeccione la manguera de suministro de gas para detectar quemaduras, rozaduras, dobleces y verificar la trayectoria correcta antes de cada uso. Si hay evidencia de abrasión o desgaste excesivo, o si la manguera está cortada, debe reemplazarse antes de usar la parrilla. Reemplácela con una manguera y regulador Modelo N° 155-3830-0 que puede obtenerse comunicándose con el servicio de atención al cliente al 800-527-0717.
- Realice una prueba de detección de fugas en todas las conexiones y en la manguera de gas. Consulte la sección de "Pruebas de detección de fugas".
- Asegúrese de que todos los cables de suministro eléctrico estén adecuadamente conectados a tierra. Mantenga todos los cables de suministro eléctrico y la manguera de suministro de combustible alejados de cualquier superficie calentada. La manguera debe estar a una distancia mínima de 3 pulgadas de las superficies calientes.
- Sitúe la parrilla en un sitio con suelo nivelado y con buena ventilación, a una distancia segura de materiales combustibles, edificios y salientes.
- Instale correctamente la bandeja de recolección de grasa vacía debajo del agujero de drenaje de grasa en el extremo inferior de la parrilla para contener la grasa durante el uso.
- NO obstruya el flujo del aire de combustión y ventilación.

⚠ ADVERTENCIA

Lea, entienda y siga todas las advertencias e instrucciones indicadas en este manual. **NO** pase por alto ninguna de las advertencias o instrucciones indicadas en las secciones anteriores de este manual.

⚠ ADVERTENCIA

INSTRUCCIONES DE ENCENDIDO:

Siga las instrucciones al pie de la letra.

1. **ABRA LA TAPA DE LA PARRILLA** antes de tratar de encender una hornilla para que no se acumulen vapores dentro de la parrilla. Puede producirse una explosión si la tapa de la parrilla no está abierta.
2. Verifique que todas las perillas de control de las hornillas y la válvula del cilindro están en la posición **OFF** (apagado).
3. Abra el suministro de combustible girando la perilla de la válvula del cilindro en sentido contrahorario a la posición totalmente abierta.
4. **NO se pare con la cabeza, el cuerpo o los brazos sobre la parrilla cuando la encienda.**

Nota: Si la hornilla no se enciende o la llama es muy baja, quizás esté bloqueada con un insecto o se haya activado el dispositivo limitador de flujo. Consulte "Instalación/Mantenimiento de las Hornillas" en la sección Cuidado y mantenimiento apropiados o el "Procedimiento de Reposición del Regulador" en la sección Conexión del cilindro de propano líquido y de la manguera / regulador a la parrilla.

ENCENDIDO DE LAS HORNILLAS PRINCIPALES:

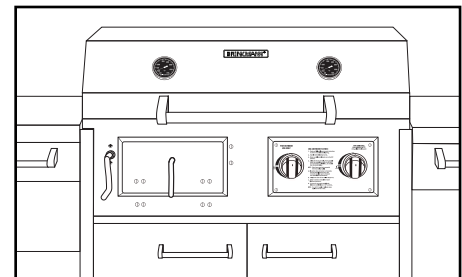
1. Abra la tapa antes de encender la hornilla.
2. Verifique que todas las perillas de control estén en la posición "OFF" (apagado).
3. Seleccione la hornilla para ser encendió. Empuje y mantenga la perilla de control y de vuelta (2 a 3 segundos) "IGNITE" (encienda lentamente). Usted debe oír el tecleo del igniter.

Nota: El paso 3 puede necesitar ser repetido 2-3 veces para encender la parrilla.

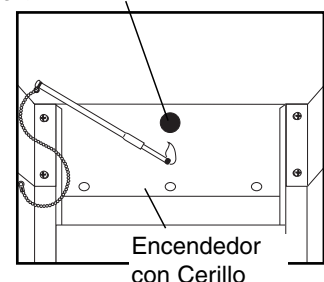
4. Si la hornilla **NO** se enciende en 5 segundos, gire la perilla de control a la posición "OFF" (apagado), espere 5 minutos para que se disipe el gas y repita el procedimiento de encendido.
5. Para encender la otra hornilla, siga Pasos 3-4.
6. Si la hornilla no se enciende dentro de las tentativas primeras, hay un problema con la fuente de gas. Dé vuelta apagado al gas en la hornilla **y** el cilindro. **NO** procure funcionar la parrilla hasta que se encuentra el problema y se corrija. Vea la sección "Resolución de Problemas" de este manual.
7. Para apagar, gire cada perilla de control en sentido horario hasta que se trabe en la posición "OFF" (de apagado). Esto no apaga el flujo de gas del cilindro.

ENCENDIDO DE LAS HORNILLAS PRINCIPALES CON UN CERILLO:

1. Abra la tapa antes de encender.
2. Gire las perillas de control de hornillas a posición "OFF" (apagado).
3. Coloque un cerillo de papel en el extremo de encendedor con cerillo. Prenda el cerillo y colóquelo a través del agujero de encendido en el lado derecho de la parrilla aproximadamente a 1/2" pulgada (1 a 2 cm) de la hornilla.
4. Gire la perilla de control de hornilla de **EXTREMA DERECHA** "HIGH" (llama fuerte). Hornilla debe encender en 5 segundos.
5. Si la hornilla no se enciende, gire la perilla de control a la posición "OFF" (apagado) y espere 5 minutos para que se disipe el gas y repita el procedimiento de encendido.
6. Para encender la otra hornilla, empuje y dé vuelta a la perilla de control al "HIGH" (llama fuerte) Siga el Paso 5.
7. Si la hornilla no se enciende después de varios intentos con un cerillo, entonces hay un problema con el suministro de gas. Cierre el gas en la hornilla **y** en el cilindro. **NO** trate de operar la parrilla hasta haber encontrado y corregido el problema. Consulte la sección de "Identificación y corrección de problemas" de este manual.
8. Para dar vuelta apagado, dé vuelta a cada perilla de control a la derecha hasta que se traba en la posición de "off". Esto no da vuelta apagado al flujo del gas del cilindro.



Agujero de Encendido



APAGADO DE LA PARRILLA:

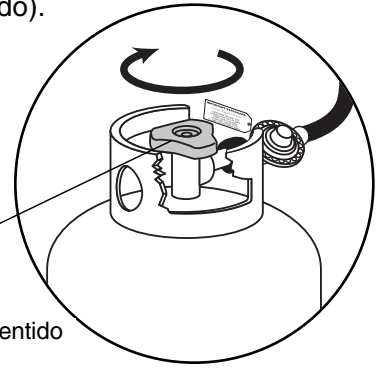
1. Cierre la válvula del cilindro.
2. Gire todas las perillas de control de las hornillas a la posición "OFF" (apagado).

Nota: Apague el cilindro de propano líquido primero para evitar que quede gas en el sistema bajo presión.

⚠ ¡CUIDADO!

- La válvula del cilindro siempre debe estar en la posición de apagado o cerrada cuando la parrilla no está en uso.

Para cerrar la válvula del cilindro, gire la perilla en sentido horario hasta que se detenga.



⚠ ADVERTENCIA

OPERACIÓN DE LA PARRILLA:

Nunca use carbón o fluido de encendedor dentro de la parrilla de gas. Lea y siga todas las advertencias e instrucciones indicadas en las secciones anteriores de este manual.

PREPARACIÓN DE LA PARRILLA PARA USARLA POR PRIMERA VEZ:

- Debido al proceso de fabricación y preservación de los componentes de la parrilla, puede haber residuo de aceite presente en la hornillas y en las superficies de cocción de la parrilla.
- Antes de cocinar por primera vez en la parrilla, precaliéntela durante 15 minutos en "HIGH" (llama fuerte) para quemar este aceite residual.

PRECALENTAMIENTO DE LA PARRILLA:

- Se recomienda que precaliente la parrilla antes de usarla. Esto asegura que las superficies para cocinar estén a las temperaturas deseadas para dorar los azúcares de los alimentos cuando cocine. Después de encender la parrilla, coloque las perillas de control de las hornillas principales a la posición "HIGH" (llama fuerte) durante 10 a 15 minutos. Cierre la cubierta durante el período de precalentamiento.

CONTROL DE LAS LLAMARADAS:

- Las llamaradas son parte de cocinar carnes en una parrilla de gas. Esto agrega un sabor único a los alimentos cocinados en una parrilla de gas. Las llamaradas excesivas pueden cocinar demasiado los alimentos y producir una situación peligrosa para usted y la parrilla. Las llamaradas excesivas son el resultado de la acumulación de grasa en la sección inferior de la parrilla. Si esto ocurre, NO eche agua a las llamas. Esto puede producir salpicaduras de grasa y causar quemaduras graves o lesiones corporales. Si la grasa produce un incendio, cierre la tapa y apague las hornillas principales hasta que la grasa se quemé. Tenga cuidado cuando abra la tapa ya que se pueden producir llamaradas repentinas.

⚠ ADVERTENCIA

- NO deje la parrilla desatendida mientras está en uso.
- NO mueva la parrilla cuando esté en uso. Trabe las ruedas en posición para estabilizar la parrilla.
- NO utilice agua para apagar las llamaradas.
- Tenga a mano un extinguidor de incendios adecuado para usar con artefactos a gas.

PARA REDUCIR AL MÍNIMO LAS LLAMARADAS:

- Recorte el exceso de grasa de la carne antes de cocinarla.
- Cocine la carne con alto contenido de grasa (pollo o puerco) con llama suave o indirecta.
- Verifique que la parrilla está sobre suelo nivelado y que la grasa puede salir de la parrilla a través del agujero de drenaje en la sección inferior y acumularse en la gaveta para grasa.

COCCIÓN INDIRECTA:

- La cocción indirecta es el proceso de cocinar sus alimentos sin que la fuente de calor esté directamente debajo de los mismos. Puede dorar carnes sobre una llama fuerte en un lado de la parrilla y cocinar lentamente un asado en el otro lado (sin encender) de la parrilla.

RECOMENDACIONES PARA COCINAR EN LA PARRILLA

LIMPIEZA

- Siempre lávese bien las manos con agua caliente y jabón antes de manipular alimentos y después de tocar carne, pollo o mariscos crudos.
- Cuando utilice una fuente para llevar carne, pollo o mariscos crudos a la parrilla, asegúrese de lavar bien la fuente con agua caliente y jabón antes de colocar alimentos cocidos en ella, o utilice fuentes distintas para los alimentos crudos y cocidos.
- Nunca utilice los mismos utensilios para manipular carne cruda, pollo crudo o mariscos, a menos que los lave bien con agua caliente y jabón.
- Nunca reutilice el adobo de la carne o pollo crudo en alimentos ya cocidos y listos para servir.

COCINAR A LA PARRILLA A LA TEMPERATURA APROPIADA

- Utilice un termómetro para carne para verificar que haya alcanzado una temperatura interna segura.
- El Departamento de Agricultura de EE.UU. recomienda que los siguientes alimentos alcancen las siguientes temperaturas mínimas:

Chuletas	145 grados F (62.8° C)
Carne molida	160 grados F (71° C)
Cerdo	160 grados F (71° C)
Pollo	180 grados F (82° C)
Asados	145 grados F (62.8° C)
Mariscos	140 grados F (60° C)
Verduras	145 grados F (62.8° C)

RECOMENDACIONES ÚTILES

- Si precocina carne o pollo, hágalo inmediatamente antes de cocinarlo en la parrilla.
- Nunca descongele carne a la temperatura ambiente o sobre un mostrador.
- Refrigere los restos a más tardar 2 horas después de haber sacado la comida de la parrilla.
- Para mayor información, llame a la Línea de Información sobre Carne y Pollo de USDA al número sin cargo 800-535-4555.

ADVERTENCIAS GENERALES DE SEGURIDAD PARA LA PARRILLA DE CARBÓN

⚠ ADVERTENCIA

- Utilice esta parrilla únicamente sobre una superficie estable dura, nivelada, no combustible (concreto, piso, etc.) capaz de aguantar el peso del ahumador. Nunca lo utilice sobre superficies de madera o de otro tipo que podrían quemarse.
- NO utilice la parrilla sin que la bandeja para ceniza esté en su lugar. NO intente quitar la bandeja para ceniza mientras ésta contenga carbón caliente.
- Tiene que haber un espacio de 10 pies (3.3 m) entre la parrilla y materiales combustibles (arbustos, árboles, terrazas de madera, cercas, edificios, etc.) o una construcción en todo momento en que la parrilla está en uso. No coloque la parrilla debajo del voladizo de un techo u otro lugar cerrado.
- Para uso externo únicamente. No debe operarse en interiores o en una zona cerrada.
- Para uso casero solamente. No utilice esta parrilla para otra finalidad que no sea la indicada.
- Recomendamos el uso del encendedor de chimenea de carbón para evitar el peligro que acarrea el líquido encendedor de carbón.
- Use el encendedor de chimeneas o carbón previamente tratado con líquido encendedor para comenzar el fuego en la sección de carbón de su parrilla.
- No almacene líquido encendedor ni otros líquidos o materiales o carbón vegetal previamente tratado con líquido encendedor bajo su parrilla.
- No utilice gasolina, queroseno o alcohol para encender el carbón de leña. El empleo de uno de estos productos o uno similar podría causar una explosión con posibles lesiones graves a la persona.
- Nunca añada líquido encendedor de carbón a los trozos de carbón calientes porque puede ocurrir un retroceso de la llama que causaría quemaduras graves.
- Coloque la parrilla en una zona no accesible para niños y mascotas. La supervisión estricta es necesaria cuando se está usando la parrilla.
- No deje la parrilla desatendida durante el uso.
- Añada carbón y/o leña con suma precaución y siga las instrucciones de la sección “Cómo añadir carbón o leña durante el cocimiento” de este manual.
- No almacene o utilice la parrilla cerca de gasolina u otros líquidos inflamables, gases o donde se encuentren vapores inflamables.
- Tenga precaución al ajustar el emparrillado del carbón. La manija podría estar muy caliente al usarse.
- Nunca levante o baje el emparrillado del carbón cuando humea el agua porque agua muy caliente puede salpicar a los trozos de carbón y causar un reventón de vapor caliente y trozos de carbón.

La parrilla está muy caliente al usarse. Para evitar quemaduras:

- NO intente mover la parrilla.
- Fije las ruedas enclavables para que la unidad no se mueva accidentalmente.
- Póngase guantes protectores o guantes gruesos para el horno.
- NO toque ninguna superficie caliente de la parrilla.
- NO se ponga ropa suelta y cuídese de que su pelo no toque la parrilla.

⚠ ADVERTENCIA

- Cuando ase a la parrilla, es posible que la grasa gotee de la carne al carbón y la grasa se incendie. Si esto llegase a suceder, cierre la cubierta y gire las perillas del gas a la posición de cerrado para extinguir la flama. No le eche agua a los incendios de grasa para apagarlos.
- Tenga precaución porque las flamas pueden saltar cuando el aire fresco llega súbitamente al fuego. Cuando abra la cubierta, mantenga sus manos, cara y cuerpo a buena distancia del vapor caliente y las llamaradas.
- Nunca coloque pesos mayores de 15 libras (6.8 kg) sobre las mesa lateral ni se recline sobre las mismas. Siempre asegúrese de que las mesa lateral esté bien asentada.
- Nunca sobrepase una temperatura de 400°F (205°C). No permita que el carbón y/o la leña descansen sobre las paredes de la parrilla, ya que entonces disminuirían mucho la vida útil del metal y acabado de su parrilla.
- Tenga precaución al ensamblar y operar su parrilla para no rasguñarse o cortarse en los bordes filosos o partes metálicas. Tenga precaución al meter sus manos en o debajo de la parrilla.
- Al abrir la cubierta, fíjese que esté totalmente abierta, ya que de lo contrario podría regresar a su posición cerrada y lesionarle.
- Cuando haya mucho viento, ponga su parrilla en una zona externa protegida del viento.
- Cierre la cubiertas y puertas para extinguir la flama.
- Nunca deje trozos de carbón y ceniza sin atender. Antes de dejar su parrilla desatendida, saque los trozos de carbón sobrantes y la ceniza de su parrilla. Tenga precaución para cuidar su persona y propiedad. Con cuidado, meta los trozos de carbón sobrantes y la ceniza en un recipiente metálico no combustible y llénelo totalmente de agua. Deje los trozos de carbón en el recipiente metálico por 24 horas antes de tirarlos a la basura.
- Ponga los trozos de carbón y la ceniza que ya extinguió a buena distancia de toda estructura y material combustible.
- Con la manguera de su jardín, moje completamente el área debajo y alrededor de su parrilla para extinguir toda ceniza, trozo de carbón o rescoldo que pudiesen haberse caído durante el cocimiento o la limpieza.
- Tras cada uso, limpie la parrilla muy bien a aplíquese a su interior una capa ligera de aceite vegetal para evitar la oxidación. Cubra la parrilla para que no se oxide demasiado.
- Tenga precaución al levantar o mover su parrilla para no lastimarse o torcerse la espalda.
- Recomendamos tener un extintor contra incendios a la mano. Contacte a las autoridades de su localidad para averiguar el debido tamaño y tipo del extintor.
- No se recomiendan aditamentos para accesorios de este producto en particular no fabricados por The Brinkmann Corporation ya que pueden causar lesiones personales o daños a la propiedad.
- Cuando no utilice su parrilla, almacénela en un lugar seco y lejos del alcance de los niños.
- No intente darle a su parrilla mantenimiento que vaya más allá del normal, como se explica en las secciones “Seguridad después del uso” y “Debido cuidado y mantenimiento” de este manual. Las reparaciones deben ser realizadas únicamente por The Brinkmann Corporation.
- Deseche debidamente todo material de empaque.

TENGA PRECAUCIÓN Y USE SU SENTIDO COMÚN AL OPERAR SU AHUMADOR.

LA PERSONA QUE NO SIGA LAS DIRECTRICES Y ADVERTENCIAS DE SEGURIDAD DE ESTE MANUAL PODRÍA LESIONARSE GRAVEMENTE O SUFIR DAÑOS A LA PROPIEDAD.

GUARDE ESTE MANUAL PARA CONSULTARLO EN EL FUTURO.

INSTRUCCIONES DE OPERACIÓN DE LA PARRILLA DE CARBÓN DE LEÑA

▲ COLOQUE LA PARRILLA EN EL EXTERIOR, SOBRE UNA SUPERFICIE DURA, NIVELADA Y NO COMBUSTIBLE, LEJOS DEL VOLADIZO DE UN TECHO O DE CUALQUIER MATERIAL COMBUSTIBLE. NUNCA LA PONGA SOBRE SUPERFICIES DE MADERA O DE OTRO TIPO QUE PUDIESEN QUEMARSE. ALEJE LA PARRILLA DE PUERTAS O VENTANAS ABIERTAS PARA QUE EL HUMO NO ENTRE A LA CASA. CUANDO HAGA VIENTO, COLOQUE LA PARRILLA EN UN LUGAR EXTERNO PROTEGIDO DEL VIENTO.

▲ LEA DETENIDAMENTE TODAS LAS ADVERTENCIAS E INSTRUCCIONES DE SEGURIDAD ANTES DE UTILIZAR SU PARRILLA.

CÓMO PRECALENTAR SU PARRILLA:

Antes de utilizar por primera vez su parrilla Triple Function de Brinkmann, siga detenidamente las instrucciones dadas a continuación para precalentar su parrilla, ya que esto eliminará el olor a pintura de la parrilla que puede impartirle un sabor no natural a su primera comida preparada en su parrilla Triple Function de Brinkmann.

IMPORTANTE: Para proteger su parrilla de oxidación excesiva, debe cubrir la unidad en todo momento cuando no la use. Puede pedir una cubierta para su parrilla profesional doble de carbón y gas Brinkmann llamando al 1-800-527-0717 (EE.UU. solamente).

1. Aplique o rocíe una capa ligera de aceite vegetal a todas las superficies del interior de la parrilla Triple Function. No le aplique ninguna capa al emparrillado o a la bandeja para carbón.
2. Siga las instrucciones dadas a continuación al pie de la letra para encender y mantener el fuego en la caja de fuego y compartimientos de cocinar. Puede usar carbón o una mezcla de carbón y leña como combustible para su parrilla Triple Function (consulte la sección "Cómo añadir carbón o leña durante el cocimiento" de este manual).

Nota: Recomendamos utilizar carbón de leña previamente tratado con líquido para encendedores o con un encendedor para chimeneas de carbón.

ADVERTENCIA: NO use líquido para encendedores u otros líquidos inflamables en o cerca de su parrilla.

- ▲** 3. Con las tapas de la parrilla y de la caja de fuego y las puertas del carbón de leña abiertas, aléjese y con cuidado encienda el carbón, dejando que arda hasta que se cubra ligeramente con una capa de ceniza (aprox. 20 minutos).

Si usa un encendedor para chimeneas de carbón, siga las advertencias e instrucciones del fabricante relacionadas con el uso de su producto. Comience con 4 a 6 libras (1.8 a 2.7 kg) de carbón, suficiente para cocinar, una vez que haya terminado el precalentamiento. Cuando el carbón esté ardiendo bien, con cuidado ponga los trozos de carbón caliente en el centro del emparrillado para el carbón.

- ▲** **ADVERTENCIA:** No use su parrilla sin la bandeja para ceniza de carbón en su lugar. NO trate de sacar la bandeja para ceniza de carbón mientras contenga trozos calientes de carbón.

Nota: Para alargar la vida útil de su parrilla, asegúrese que los trozos calientes de carbón y la leña no toquen las paredes de la parrilla.

4. Cuando los trozos de carbón estén ardiendo bien, cierre las cubiertas y las puertas y deje que ardan de 20 a 30 minutos. Siga las instrucciones en las secciones sobre cómo ahumar, asar a la parrilla y chamuscar que se dan a continuación.

IMPORTANT: Para que su parrilla no se oxide demasiado, cierra la cubierta y la puerta cuando no la utilice. Puede pedir una cubierta directamente de Brinkmann llamando al 800-527-0717 (EE.UU. solamente).

**SU PARRILLA TRIPLE FUNCTION DE BRINKMANN
YA HA SIDO PRECALENTADA Y ESTÁ LISTA PARA USARSE**

AHUMAR

1. Siga las instrucciones arriba de como construir una llama en la caja de fuego.
2. Con los carbones quemándose bien, agregue cuidadosamente los pedazos de madera usando las pinzas largas para cocinar (véase la "madera de la condimentación" y la "adición de Carbon de Leña/Madera durante cocinar" secciones de este manual.)
3. Coloque las rejillas para cocinar en el borde inferior de la parrilla. Utilice la manivela del ajustador de la rejilla del carbón de leña para colocar la rejilla del carbón de leña al nivel más bajo.

⚠ ADVERTENCIA: Use los guantes protectores o los mitts del horno al ajustar la manija de la puerta, bandeja de la ceniza o cocinando en temperaturas altas.

4. Coloque el alimento en el compartimiento de cocinar del lado izquierdo y cierre la tapa.
5. La temperatura ideal para ahumar está entre 175°F y 250°F. Para los cortes grandes de carne, dé un plazo de aproximadamente una hora de tiempo de cocción por la libra de carne. Utilice siempre un termómetro de carne para asegurar el alimento se cocina completamente antes de quitar de la parrilla.
6. Permita que la parrilla se refresque, después siga las instrucciones en "Seguridad Después del Uso" y del "Debido Cuidado y Mantenimiento" de este manual.

CÓMO ASAR Y CHAMUSCAR

1. Siga las instrucciones dadas arriba para hacer un fuego.
2. Coloque las parrillas para cocinar sobre los labios sostenedores de la parrilla. Utilice las manivelas ajustadoras del emparrillado para el carbón para subirlo o bajarlo a la altura deseada de cocimiento: bajo para asar lentamente, medio para asar normalmente o alto para chamuscar carnes. La caja de fuego se puede también utilizar para asar a la parrilla y chamuscarse

⚠ ADVERTENCIA: Póngase siempre guantes protectores o guantes gruesos para el horno al ajustar la altura de cocimiento para proteger sus manos de quemaduras.

3. Coloque la comida sobre las parrillas para cocinar y cierre la cubierta de la parrilla. Siempre utilice un termómetro de carne para cerciorarse de que la comida esté bien cocida antes de sacarla de la parrilla.
4. Deje que su parrilla se enfríe y luego siga las instrucciones dadas en las secciones "Seguridad después del uso" y "Debido cuidado y mantenimiento" de este manual.

LEÑA QUE IMPARTE SABOR

Para obtener su sabor ahumado favorito, experimente con trozos, varitas o pedacitos de leña que imparten sabor como la del nogal americano, pacana, manzano, cerezo o mesquite. Puede utilizar la mayor parte de la leña de árboles frutales o de nueces para que impartan sabor ahumado. No use madera resinosa como la del pino porque ésta impartirá un sabor desagradable.

Trozos o varas de leña con una longitud de 3" a 4" (7.5 a 10 cm) y un grosor de 1" a 2" (2.54 a 5 cm) son óptimos. A menos que la leña todavía esté verde, remójela en agua por 30 minutos o envuelva cada pieza en papel aluminio y abra varios agujeros en el papel para que produzca más humo y evitar que consuma demasiado rápido. No es necesaria tanta leña para obtener un buen sabor ahumado. Para su parrilla Triple Function, recomendamos de 5 a 6 pedazos o varitas de leña. Experimente empleando más leña para impartir un sabor ahumado más fuerte o menos leña para un sabor ahumado más ligero.

No es necesario añadir más leña para impartir sabor una vez comenzado el cocimiento. Sin embargo, quizá sí sea necesario si uno cocina trozos muy grandes de comida. Siga las instrucciones y precauciones en la sección "Cómo añadir carbón o leña durante el cocimiento" de este manual para que no se lesione mientras los añade.

CÓMO INCREMENTAR LA TEMPERATURA

Para subir o mantener la temperatura, es posible que tenga que añadir más leña o carbón durante el ciclo de cocimiento. Siga las instrucciones en la sección "Cómo añadir carbón o leña durante el cocimiento" de este manual.

Note: Leña seca arde con más calor que el carbón, por lo que usted quizá desee aumentar la proporción de leña con respecto al carbón para subir la temperatura de cocimiento. La madera dura como la de encino, nogal americano y mesquite, así como la de árboles frutales y de nueces, son un combustible excelente por la rapidez en que se queman. Cuando emplee madera como combustible, fíjese que esté seca y haya sido curada. NO use madera resinosa como la de pino porque imparte un sabor desagradable.

CÓMO AÑADIR CARBÓN O LEÑA DURANTE EL COCIMIENTO

Es posible que tenga que añadir carbón y/o leña para mantener o subir la temperatura de cocimiento.

1. Aléjese y con cuidado abra la puerta de la caja de fuego o de su parrilla porque las llamas pueden crecer súbitamente cuando aire fresco hace contacto con el fuego.
2. Con guantes protectores o guantes gruesos para el horno puestos, mueva las manivelas para ajustar la altura del emparrillado a su mínima altura en la cámara de cocimiento. Abra la puerta del compartimiento que cocina o la puerta lateral de la caja de fuego para permitir el acceso al ralla de carbón de leña.
3. Aléjese a buena distancia y utilice pinzas largas para cocinar para quitar ligeramente la ceniza sobre los trozos calientes de carbón. Use las mismas pinzas para agregar carbón y/o leña al emparrillado, cuidándose de no levantar la ceniza ni las chispas. En caso necesario, use su encendedor de chimeneas de carbón para encender más carbón y/o leña para agregarle al fuego existente.

⚠ ADVERTENCIA: Nunca le agregue líquido encendedor de carbón a trozos calientes de carbón porque puede ocurrir una llamarada que podría causarle una quemadura grave.

4. Cuando el carbón esté ardiendo bien nuevamente, póngase guantes protectores o guantes gruesos para el horno y cuidadosamente regrese el emparrillado para el carbón a la posición deseada de cocimiento, Fíjese que ninguna ceniza, trozo de carbón o rescoldo se haya caído al suelo, ya que podría ocasionar un incendio. Como medida de precaución, moje totalmente el área debajo y alrededor de su parrilla con agua para extinguir toda ceniza, trozo de carbón o rescoldo.
5. Cierre la cubiertas y puertas de la parrilla y caja de fuego para que la comida se siga cocinando.

SEGURIDAD DESPUÉS DEL USO

⚠ ADVERTENCIA

- Siempre deje que su parrilla y todos sus componentes se enfríen completamente antes de manipularlos.
- Nunca deje el carbón y la ceniza sin atender en el ahumador. Asegúrese de que el carbón y su ceniza se hayan extinguido totalmente antes de sacarlos.
- Antes de dejar desatendida a su parrilla, el carbón y la ceniza sobrantes deben ser sacados de la parrilla. Tenga precaución y proteja su propiedad y su persona. Ponga el carbón y la ceniza sobrantes en un recipiente metálico no combustible y llénelo con agua hasta el tope. Antes de tirar el carbón y la ceniza, déjelos por 24 horas en el recipiente metálico.
- El carbón y la ceniza ya extinguidos deben colocarse a buena distancia de toda estructura y materia combustible.
- Con una manguera de jardín, moje completamente toda la superficie debajo y alrededor de la parrilla para extinguir toda ceniza, trozo de carbón o rescoldo que quizá cayó durante el cocimiento o la limpieza.
- Cubra y guarde su parrilla en un lugar alejado de niños y mascotas.

⚠ ADVERTENCIA

TRANSPORTE Y ALMACENAMIENTO:

- Nunca mueva una parrilla cuando esté caliente o cuando objetos se encuentren encima de las superficies para cocinar.
- Asegúrese de que la válvula del cilindro esté cerrada. Después de mover la parrilla, fíjese que ninguna conexión del gas tenga fugas. Consulte las instrucciones sobre cómo detectar fugas.
- NO almacene un cilindro de gas LP de repuesto (lleno o vacío) bajo o cerca de la parrilla.
- Nunca guarde líquidos inflamables o latas de atomizador bajo o cerca de la parrilla.
- NO intente extinguir con agua los incendios causados por grasa.
- Si no utiliza su electrodoméstico de gas para cocinar afuera, debe cerrar el gas en el cilindro de suministro.
- Se permite almacenar un electrodoméstico de gas para uso externo adentro de su casa sólo si el cilindro ha sido desconectado y sacado del electrodoméstico.
- Los cilindros deben almacenarse afuera y lejos del alcance de los niños. Tampoco deben guardarse en un edificio, una cochera o en cualquier otra área cerrada.
- Al sacar su parrilla del lugar de almacenamiento, es posible que telarañas o alguna otra basura esté tapando el quemador. Consulte "Ensamblado y mantenimiento del quemador" en la sección "Debido cuidado y mantenimiento".

DEBIDO CUIDADO Y MANTENIMIENTO

- Para proteger su parrilla de la oxidación excesiva, debe limpiar y cubrir su unidad debidamente siempre que no la use. Puede pedir una cubierta para su parrilla directamente de Brinkmann llamando al 1-800-527-0717 (EE.UU. solamente).
- Lave las parrillas para cocinar, el emparrillado para el carbón y las placas de distribución térmica con agua caliente jabonosa, enjuague bien y deje secar. Aplique o rocíe una capa delgada de aceite vegetal a las parrillas.
- Limpie el interior y exterior de su parrilla frotándola con un paño húmedo. Aplique o rocíe un poco de aceite vegetal a la superficie interior para evitar la oxidación. No lo haga con el emparrillado para el carbón ni con la bandeja para la ceniza del carbón.
- Si aparece oxidación (herrumbre) en la superficie externa de su parrilla, limpie y pule el área afectada con estopa de acero o un paño esmerilado con arenilla fina. Retoque con una pintura de buena calidad resistente a altas temperaturas.
- Nunca aplique pintura a la superficie interior. Las áreas oxidadas internas pueden pulirse, limpiarse y luego cubrirse o rociarse ligeramente con aceite vegetal para minimizar la oxidación.

LIMPIEZA Y MANTENIMIENTO:

- Mantenga su electrodoméstico sin ningún material combustible, gasolina u otros vapores y líquidos inflamables. Además, aléjelo de ellos.
- Mantenga abiertas y libres de escombros las aberturas de ventilación de la caja del cilindro.
- Revise las llamas del quemador para ver que estén funcionando bien (vea la ilustración en "Ensamblado y mantenimiento del quemador" en la sección "Debido cuidado y mantenimiento"). Arañas o insectos pueden tener sus nidos allí adentro, bloqueando así el gas.
- Para asar a la parrilla sin peligro y con el máximo rendimiento posible, revísela por lo menos dos veces al año o tras un largo período de almacenamiento.
- Cerciórese de apretar toda la ferretería (tuercas, pernos, tornillos, etc.) por lo menos dos veces al año.

⚠ ¡PRECAUCIÓN! Algunas piezas pueden tener bordes filosos. En caso necesario, póngase guantes protectores.

- Quite las parrillas para cocinar, las placas de distribución térmica y los quemadores del interior de su parrilla. Use un cepillo con agua muy caliente y detergente para quitar los residuos sobrantes. **NUNCA** utilice un limpiador para hornos comerciales. Enjuague muy bien con agua. Seque con una toalla y reemplace los componentes tal y como se describe en las instrucciones de ensamblado.

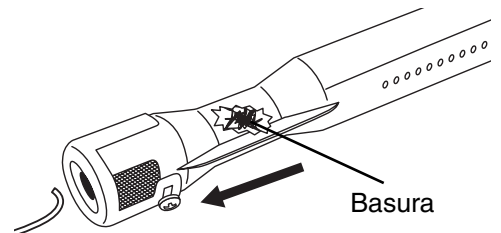
CÓMO ENSAMBLAR Y DARLE MANTENIMIENTO A LOS QUEMADORES

- Aunque sus quemadores son de acero inoxidable, pueden corroerse debido al calor extremo y los ácidos de los alimentos que se asan o también de las inclemencias del tiempo a las que su parrilla está expuesta. Inspeccione los quemadores con regularidad para detectar grietas, agujeros anormales y otros indicios de daño por corrosión. Si los detecta, reemplace el quemador.

- **NO obstruya el flujo del aire de la combustión y de la ventilación.** Los tubos del quemador pueden estar bloqueados por arañas e insectos que construyen allí sus nidos. Un tubo tapado obstaculiza el flujo del gas hacia los quemadores, lo que podría causar un incendio en el tubo del quemador o debajo de la parrilla.

Para limpiar el ensamblado del quemador, siga estas instrucciones para limpiar o cambiar las piezas del ensamblado del quemador o si tiene problemas para encender la parrilla.

1. Cierre el gas en las perillas de control y en la válvula del tanque del cilindro de gas LP.
2. Quite las parrillas para cocinar y las placas de distribución térmica.
3. Quite los tornillos debajo de cada "pata" con un destornillador.
4. Cuidadosamente levante cada hornilla hacia arriba y lejos de las aberturas de la válvula.



CÓMO ENSAMBLAR Y DARLE MANTENIMIENTO A LOS QUEMADORES (CONTINUACIÓN)

- Use un cepillo angosto para botellas o un alambre rígido doblado como un gancho pequeño para poderlo meter varias veces a través de cada tubo del quemador y la salida de la flama.

Nota: Póngase gafas protectoras al realizar el paso No. 6.

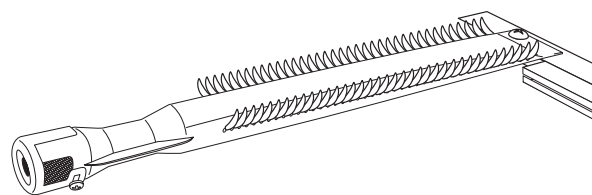
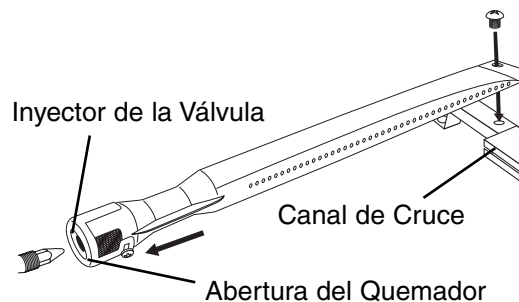
- Utilice aire comprimido para soplar hacia adentro de cada tubo del quemador y hacia fuera de las salidas de la flama. Revise cada salida para verificar que está saliendo aire de cada orificio.
- Con el cepillo de alambre, talle toda la superficie exterior del quemador para quitar la mugre y los residuos de comida.
- Revise el quemador para detectar daños y si ve grietas grandes o agujeros, reemplácelo.

IMPORTANTE: La abertura del quemador debe deslizarse sobre la boquilla de la válvula.

- Oriente la hornilla **CORRECTAMENTE** alineando el asiento del tornillo en la hornilla a la izquierda según lo demostrado.

Note: Cerciórese de que los tubos de la hornilla se alinean uniformemente entre los canales de la cruce

- Reemplaze el tornillo en cada hornilla y siga "Pruebas de Detección de Fugas" de este manual. Reencienda la hornilla para verificar la operación apropiada.
- Vuelva a poner las placas de distribución térmica y las parrillas para cocinar.



FUNCIONAMIENTO CORRECTO DEL QUEMADOR

PARRILLAS PARA COCINAR

- Límpielas con detergente suave y agua. Puede utilizar un cepillo con cerdas de latón o una almohadilla para limpiar hecha de nylon para quitar los residuos de las superficies de acero inoxidable. No use cerdas de alambre de acero para limpiar las parrillas para cocinar, ya que el acero puede agrietar o descascarar el acabado. NO use limpiador para hornos comerciales.

PLACAS DE DISTRIBUCIÓN TÉRMICA

- Periódicamente, puede que sea necesario inspeccionar y limpiar la placa de distribución térmica para evitar que se acumule la grasa. Cuando la parrilla esté fría, quite las parrillas para cocinar, inspeccione las placas de distribución térmica y reemplácelas si están rotas o dañadas. No deje que las placas se dañen al grado de que puedan caerse sobre los quemadores. Reemplace las placas de distribución térmica y las parrillas para cocinar y encienda los quemadores. Utilice la parrilla en "HIGH" por 10 minutos para quitar el exceso de grasa.

ANTES DE ALMACENAR SU PARRILLA:

- Cerciórese de haber cerrado totalmente la válvula del cilindro.
- Limpie todas las superficies.
- Aplíqueles a los quemadores una capa delgada de aceite para cocinar para evitar que se oxiden demasiado.
- Si guarda su parrilla afuera, desconecte el tanque de gas LP y déjelo AFUERA.
- Ponga una tapa protectora sobre el tanque de gas LP y almacénelo afuera en un lugar bien ventilado que no esté expuesto a la luz directa del sol.
- Limpie el quemador antes de usarlo al sacarlo del almacenamiento, al comienzo de la temporada de asar a la parrilla o después de un mes de no haberlo usado. A las arañas e insectos les gusta construir sus nidos en los tubos de quemadores (especialmente en los meses en que hace frío) y estos nidos pueden causar incendios en los tubos de los quemadores o bajo la parrilla.
- Si guarda la parrilla afuera, cúbrala para protegerla de las inclemencias del tiempo.

RESOLUCIÓN DE PROBLEMAS

Problema:	Posibles Causas:
<ul style="list-style-type: none"> • La hornilla no enciende 	<ol style="list-style-type: none"> 1. Revise el nivel de combustible en el cilindro de propano líquido. 2. Chispa de electrodo defectuosa. Vea si puede encender la parrilla con un cerillo. Puede ser necesario ajustar el electrodo o colector. 3. Es posible que la hornilla no esté bien asentada. 4. Es posible que la hornilla esté obstruida. 5. Es posible que la válvula del cilindro esté cerrada. 6. El regulador no está asentado correctamente sobre la válvula del cilindro.
<ul style="list-style-type: none"> • Llamas en la perilla de control 	<ol style="list-style-type: none"> 1. Es posible que los agujeros de la hornilla estén obstruidos. Consulte "Instalación/Mantenimiento de las Hornillas" en la sección de Cuidado y mantenimiento apropiados. 2. La hornilla está asentada incorrectamente sobre la válvula de control. 3. Las conexiones de gas pueden estar sueltas. Revise para verificar que no haya fugas y ajuste todas las conexiones.
<ul style="list-style-type: none"> • Llamas amarillas en la hornilla 	<ol style="list-style-type: none"> 1. La hornilla está obstruida. Consulte "Instalación/Mantenimiento de las Hornillas" en la sección de Cuidado y mantenimiento apropiados.
<ul style="list-style-type: none"> • La llama se apaga en la posición "LOW" (llama suave) 	<ol style="list-style-type: none"> 1. Es posible que los agujeros de la hornilla estén obstruidos. Consulte "Instalación/Mantenimiento de las Hornillas" en la sección de Cuidado y mantenimiento apropiados. 2. La hornilla está asentada incorrectamente sobre la válvula de control.
<ul style="list-style-type: none"> • La hornilla no se calienta lo suficiente 	<ol style="list-style-type: none"> 1. Se activó el dispositivo de control de flujo en el regulador. Consulte el Procedimiento de reposición del regulador en la sección Conexión del cilindro de propano líquido y de la manguera / regulador a la parrilla. 2. Es posible que los agujeros de la hornilla estén obstruidos.
<ul style="list-style-type: none"> • La parrilla está demasiado caliente 	<ol style="list-style-type: none"> 1. Acumulación excesiva de grasa produce llamaradas. 2. Regulador dañado o defectuoso. Reemplácelo con partes autorizadas de fábrica. 3. Cocine en una posición de temperatura más baja.

LAS PREGUNTAS MÁS FRECUENTES

El número de serie y de modelo de su parrilla, así como la información de contacto para el Servicio al Cliente de Brinkmann, están impresos en la etiqueta plateada situada debajo del panel de control ya sea en la parte trasera de la parrilla o al lado del cuerpo de la parrilla, bajo el anaquel lateral.

Estas preguntas y respuestas son para su información general solamente y podrían no ser pertinentes para el modelo de su parrilla.

Pregunta: ¿Por qué no se enciende bien mi parrilla?

Respuesta: Siempre siga las instrucciones que aparecen en el panel de control o en este manual. Además, tome en cuenta estas causas:

- Revise el suministro de gas LP.
- Revise para cerciorarse de que todas las conexiones de gas están bien fijadas .
- Es posible que la pila AA para el encendido necesite reemplazarse.
- Los cables del encendido pueden estar sueltos. Quite la pila, inspeccione la caja de conexiones localizada atrás del panel de control y conecte todo cable suelto.
- Quizá necesite cambiar la posición de las puntas del electrodo generador de chispas. Con el suministro de gas cerrado y la perilla de control en posición apagada (“OFF”), presione el botón de encendido y pídale a otra persona que se fije si ve una chispa en las puntas del electrodo. La distancia entre el electrodo generador de chispas y el receptor de chispas debe ser aprox. de 3/16” (1/2 cm). Si la punta del electrodo tiene que ser ajustada, dóblela para que esté a la distancia correcta.
- Fíjese que el extremo del tubo Venturi de cada quemador esté debidamente situado sobre su accesorio del orificio de la válvula del gas.
- Quizá haya una obstrucción en la tubería de gas. Para corregir el problema, quite la manguera o el regulador del gas LP o bien la tubería del gas natural de su parrilla. Abra el suministro de gas por un segundo para probar si todavía está obstruida la tubería. Si ya no lo está, vuelva a conectarla, pero si la línea de suministro está tapada, reemplácela con una nueva manguera o un ensamblado del regulador.
- Si sospecha que hay una obstrucción en la manguera, el ensamblado del regulador, el orificio o las válvulas de gas, llame al Departamento de Atención al Cliente de Brinkmann al 800-527-0717.

Pregunta: ¿Por qué mi parrilla de gas LP tiene una llama baja o una llama de color anaranjado o amarillo?

Respuesta: Usted necesita sacar el aire de la tubería de gas o reajustar el dispositivo limitador del flujo del regulador. Si la válvula del cilindro se abre totalmente o demasiado rápido, se activará el dispositivo limitador del flujo del regulador y cerrará el flujo de gas para que no fluya demasiado gas a su parrilla.

Nota: Debe realizar esto cada vez que conecte un nuevo tanque de gas LP a su parrilla:

CÓMO REAJUSTAR EL DISPOSITIVO LIMITADOR DEL FLUJO DEL REGULADOR

- Gire la perilla de control a la posición apagada (“OFF”).
- Cierre el tanque de gas LP en la válvula del cilindro.
- Desconecte el regulador del tanque de gas LP.
- Deje el tanque parado por dos minutos.
- Vuelva a conectar el regulador al tanque de gas LP.
- Abra la cubierta de la parrilla o del quemador lateral. Gire la válvula del cilindro lentamente hasta que esté 1/4 ó 1/2 abierta.
- Encienda la parrilla siguiendo las instrucciones de su panel de control o de este manual del propietario.

Pregunta: ¿Cómo y cuándo debo limpiar los componentes interiores para cocinar de mi parrilla?

Respuesta: Use un cepillo limpiador de latón para limpiar el interior de la parrilla, las parillas para cocinar, las placas de distribución térmica y los recipientes de grasa. Nunca utilice un cepillo de alambre o cepillo metálico para tallar en las piezas con acabado de porcelana, ya que pueden rayarlo o agrietarlo y fomentar la oxidación.

LAS PREGUNTAS MÁS FRECUENTES

Cómo limpiar Parrillas para Cocinar de Acero Inoxidable: Lave las parrillas con detergente suave y enjuáguelas con agua caliente antes de usarlas por primera vez y cuando sea necesario. NO utilice un limpiador para hornos comerciales. Para residuos de comida difíciles de quitar, use un desengrasador y una fibra o un cepillo para limpiar latón.

Cómo limpiar las Parrillas para Cocinar de Hierro Fundido con Acabado de Porcelana: Lave las parrillas con detergente suave y enjuáguelas con agua caliente antes de usarlas por primera vez y cuando sea necesario. Para residuos de comida difíciles de quitar, use un desengrasador y una fibra o un cepillo para limpiar latón. Séquelas de inmediato con un paño o trapo suave o con toallas de papel.

Cómo limpiar la Placa de Distribución Térmica: Las placas de distribución térmica deben limpiarse siempre que haya goteado y se haya acumulado comida o grasa para disminuir la posibilidad de llamaradas. Limpie las placas de distribución térmica con un detergente suave y enjuáguelas con agua caliente. Utilice un desengrasador y una fibra o un cepillo para limpiar latón para quitar los residuos de comida que se han adherido. No utilice un cepillo de alambre o cepillo metálico para tallar en las piezas con acabado de porcelana, ya que pueden rayarlo o agrietarlo y fomentar la oxidación.

Cómo limpiar la Bandeja y/o el Tazón de Grasa: La bandeja o el tazón de grasa (en algunos modelos) deben inspeccionarse antes de cada uso de la parrilla para disminuir la posibilidad de un incendio. Quite la grasa (con una espátula de plástico, por ejemplo) y lave todas las piezas con jabón suave o desengrasador y una solución de agua caliente.

Pregunta: ¿Que causa la oxidación en las piezas de la parrilla y qué efecto tiene eso en los materiales de la parrilla?

Respuesta: La oxidación es un fenómeno natural que puede presentarse en las piezas hechas de hierro fundido y acero. La oxidación no afectará el funcionamiento a corto plazo de su parrilla, aunque las inclemencias del tiempo y el calor extremo sí pueden hacer que la cubierta de acero inoxidable adquiera un color bronceado. Se trata de una decoloración, no de una oxidación y por ello no se considera un defecto de fabricación.

Pregunta: ¿Qué causa que mi parrilla de acero inoxidable se decolore y cómo puedo limpiar la cubierta de mi parrilla?

Answer: Humo, exposición a la intemperie y demasiado calor pueden hacer que la cubierta de acero inoxidable adquiera un color bronceado. Esto no debe confundirse con oxidación y no es un defecto del producto. Los aceites para máquinas utilizados en el método de fabricación del acero inoxidable y los aceites para cocinar y una cubierta de la parrilla sucia también pueden fomentar la decoloración si la cubierta no es limpiada antes de utilizar la parrilla. Tras haber ensamblado su parrilla, quite la película de PVC protectora de la cubierta de su parrilla y utilice un limpiador de acero inoxidable y un trapo o paño suave para quitar todo residuo de adhesivo y aceite del interior y exterior de la cubierta de su parrilla. Nunca use limpiadores o depuradores abrasivos. Además de la limpieza inicial, la limpieza rutinaria para quitar mugre, grasa y aceite ayudará a prevenir que no se decolore la cubierta.

Pregunta: ¿Puedo convertir mi parrilla de gas propano a gas natural?

Respuesta: La mayoría de las parrillas de gas se fabrican conforme a especificaciones exactas y están autorizadas para usarse exclusivamente para gas propano o gas natural. Sin embargo, algunos modelos sí pueden convertirse sin peligro con equipos de conversión disponibles para ellos. Llame al Departamento de Atención al Cliente de Brinkmann al 800-527-0717 para averiguar si su parrilla puede ser convertida.

Pregunta: ¿Por qué el ensamblado la manguera o del regulador incluido con mi parrilla no puede adaptarse al antiguo tanque de gas LP que he utilizado por muchos años?

Respuesta: El gobierno federal de los EE.UU. regula los electrodomésticos de gas y los tanques de gas LP. Cuando se modificó el reglamento, se actualizaron los accesorios para tanques de gas LP con el fin de que cumplieran con el reglamento, Si su tanque de gas LP no es compatible con la manguera o el regulador incluido con su nueva parrilla, su tanque es anticuado y debe reemplazarse. Nota: A partir del 1 de abril del 2002, todos los tanques de gas LP vendidos deben incluir un dispositivo protector contra sobrellenado u "OPD". Este dispositivo interno evita que el tanque de gas LP sea sobrellenado. Tanques sin la válvula OPD no pueden rellenarse.

Pregunta: A veces oigo un zumbido proveniente de mi regulador de gas. ¿Debo estar preocupado?

Respuesta: El zumbido es causado por el gas que está pasando por el regulador. Es normal que haga poco ruido y esto no obstaculizará el funcionamiento de su parrilla. Sin embargo, si el zumbido es fuerte, necesita sacar aire de la tubería de gas o reajustar el dispositivo limitador del flujo de gas con el método para restablecer el regulador en la sección "Cómo conectar el cilindro de gas LP y la manguera o el regulador a la parrilla". Este método debe seguirse cada vez que usted conecte un nuevo tanque de gas LP a su parrilla. Si necesita ayuda, consulte su manual del propietario o llame al departamento de atención al cliente de Brinkmann al 800-527-0717.

INSTRUCCIONES DE ENSAMBLADO

▲ LEA CUIDADOSAMENTE TODAS LAS ADVERTENCIAS DE SEGURIDAD E INSTRUCCIONES DE ENSAMBLADO ANTES DE ENSAMBLAR Y UTILIZAR SU PARRILLA.

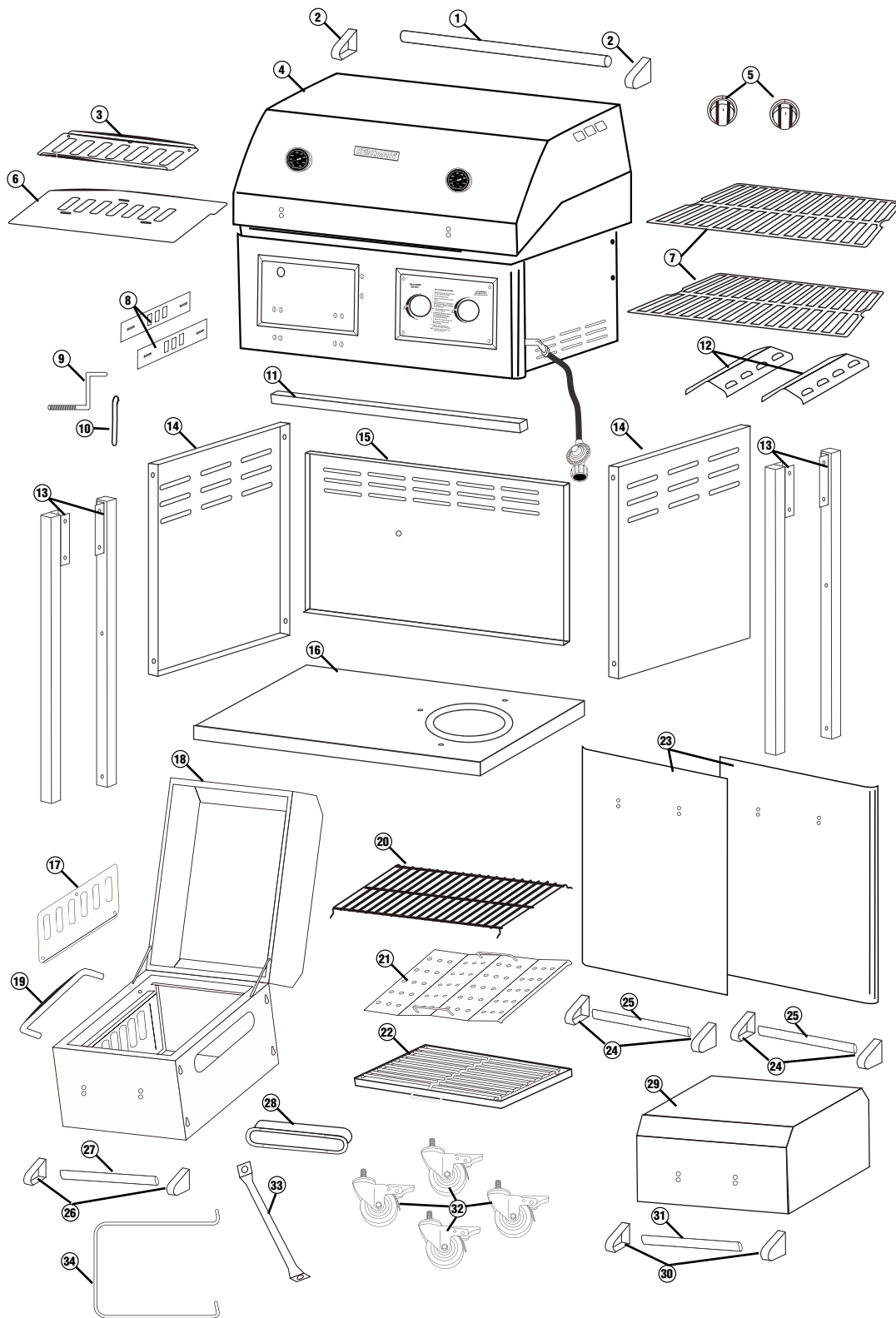
RECOMENDAMOS QUE DOS PERSONAS ENSAMBLÉN ESTA UNIDAD CONJUNTAMENTE.

Se necesita la siguiente herramienta para ensamblar esta Triple Fuction parrilla de Brinkmann:

- Destornillador con cabeza Phillips
- Alicates
- Llave Ajustable

Lista de Piezas:

- | | |
|--|--|
| ① 1 Manija de la Tapa de la Parrilla | ①⑦ 1 Obturador Del Aire de la Caja de Fuego |
| ② 2 Soportes para Manija de la Tapa | ①⑧ 1 Caja de Fuego |
| ③ 1 Respiradero de Centro del Divisor | ①⑨ 1 Manija de la Caja de Fuego del Lado Izquierdo |
| ④ 1 Cuerpo de la Parrilla Ensamblado | ②⑩ 1 Parrilla para Cocinar de la Caja de Fuego |
| ⑤ 2 Perillas | ②⑪ 1 Rejilla del Carbón de Leña |
| ⑥ 1 Divisor del Centro | ②⑫ 1 Cacerola para la Ceniza |
| ⑦ 2 Parillas para Cocinar | ②⑬ 2 Puertas Delanteras |
| ⑧ 2 Obturadores del Aire | ②⑭ 4 Soportes para las Manijas Delanteras |
| ⑨ 1 Manivela | ②⑮ 2 Manijas de las Puertas Delanteras |
| ⑩ 1 Manija para la Puerta | ②⑯ 2 Soportes para Manija de la Caja de Fuego |
| ⑪ 1 Abrazadera para la Puerta | ②⑰ 1 Manija de la Caja de Fuego |
| ⑫ 2 Placas de Distribución Térmica | ②⑱ 1 Tubo de la Caja de Fuego |
| ⑬ 4 Piernas - Pierna Delantera Izquierda, Pierna Delantera de la Derecha, Pierna Trasera Izquierda, Pierna Trasera de la Derecha | ②⑲ 1 Mesa Derecha |
| ⑭ 2 Paneles Laterales | ③① 2 Soportes para la Manija de la Mesa Derecha |
| ⑮ 1 Panel Trasero | ③② 1 Manija de la Mesa Derecha |
| ⑯ 1 Panel Inferior | ③③ 4 Ruedas Giratorias Enclavables |
| | ③④ 1 Vara de Soporte para Panel Frontal |
| | ③⑤ 1 Candado de Alambre para Tanque |



PARA CUBIERTAS, ACCESORIOS Y OTROS PRODUCTOS, SÍRVASE VISITARNOS EN LÍNEA EN:
www.brinkmann.net

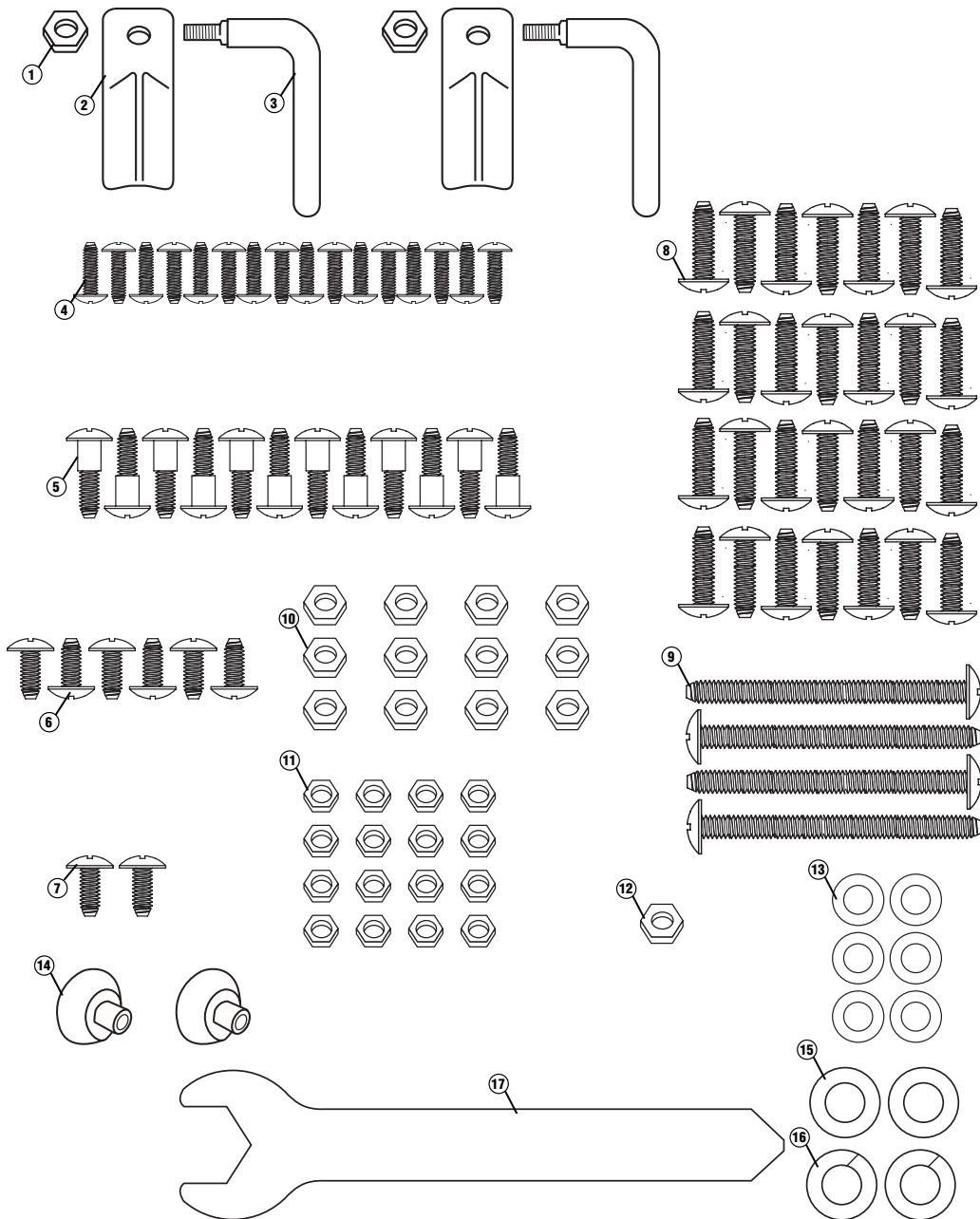
PARA LAS PIEZAS DE REPUESTO CUBIERTAS POR LA GARANTÍA, SÍRVASE VISITARNOS EN:
www.grillpartsonline.com

(Exigiremos comprobante de compra.)

Revise el contenido de la caja para asegurarse de que todas las piezas estén incluidas e intactas.

PARTS BAG CONTENTS

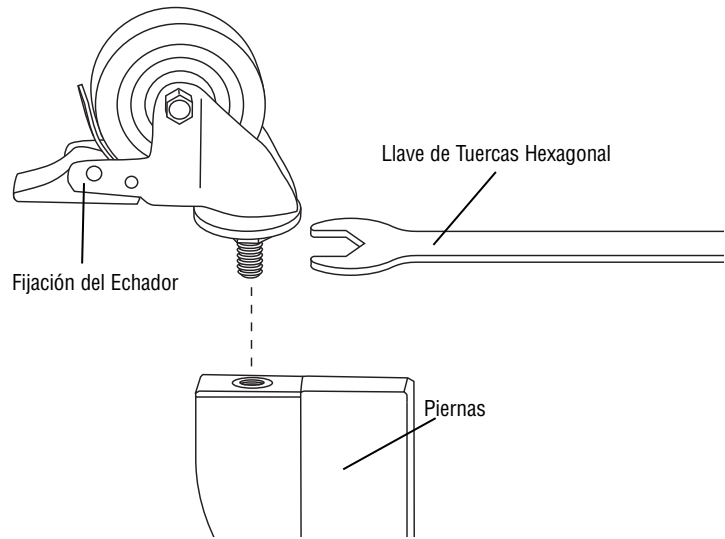
- ① 2 Tuercas M10
- ② 2 Placas de Fijación de la Puerta
- ③ 2 Manijas de la Puerta
- ④ 16 Pernos M4 X 10mm
- ⑤ 12 Pernos De Hombro M6 X 15
- ⑥ 6 Pernos M5 X 10mm
- ⑦ 2 Pernos M6 X 10mm
- ⑧ 28 Pernos M6 X 15mm
- ⑨ 4 Pernos M6 X 50mm
- ⑩ 12 Tuercas M6
- ⑪ 16 Tuercas M4
- ⑫ 1 Tuerca M5
- ⑬ 6 Arandelas M6
- ⑭ 2 Perillas del Respiradero
- ⑮ 2 Arandelas M10
- ⑯ 2 Arandelas De Resorte M10
- ⑰ 1 Llave de Tuercas Hexagonal



Elija una zona buena y despejada para el ensamble y dígale a un amigo que le ayude a armar su parrilla. Ponga un cartón debajo para proteger el acabado de la parrilla y la zona del ensamble. Voltee la parrilla a su lado para comenzar a armar su parrilla.

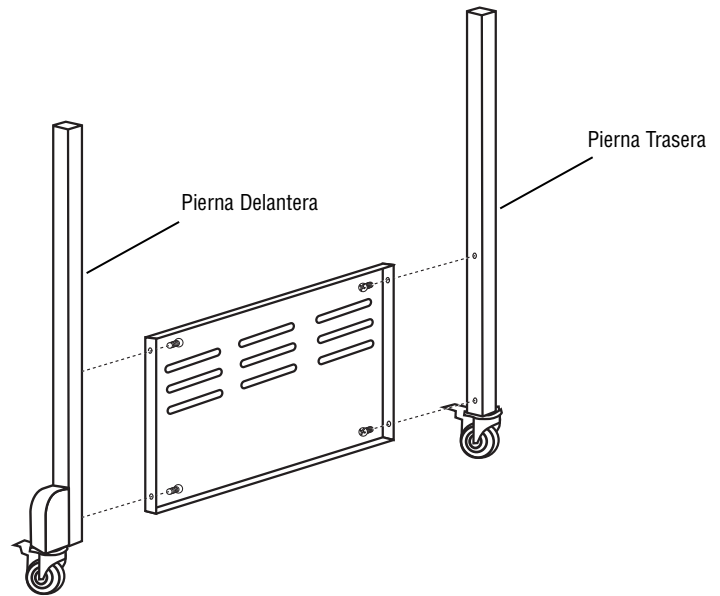
Paso 1

Una las ruedas giratorias enclavables a la parte inferior de cada pierna. Apriete los pernos de las ruedas muy bien con la llave de tuercas hexagonal incluida en la tarjeta de piezas.



Paso 2

Una el panel del lado izquierdo a la pierna izquierda delantera y a la pierna posterior izquierda usando cuatro pernos de M6 X 15mm. Repita para el panel del derecho y las piernas derechas.

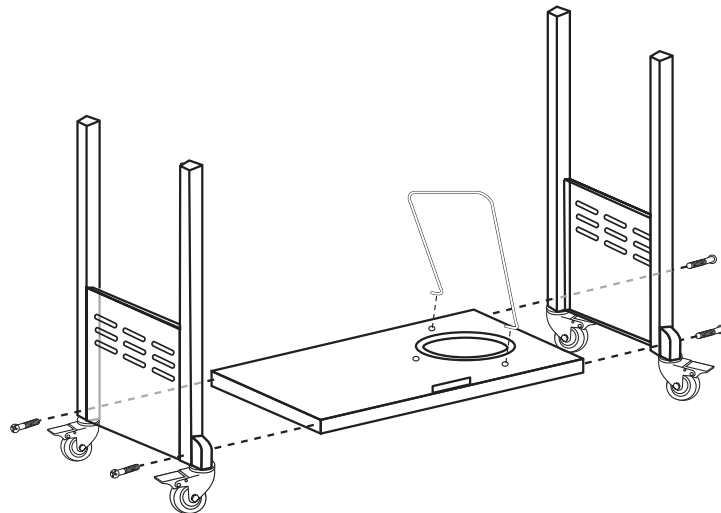


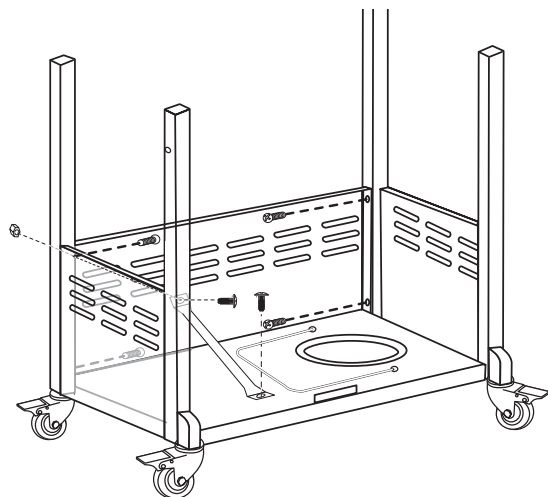
Paso 3

Una el panel inferior a los montajes del panel izquierdo y derecho usando cuatro pernos de M6 X 50mm.

Paso 4

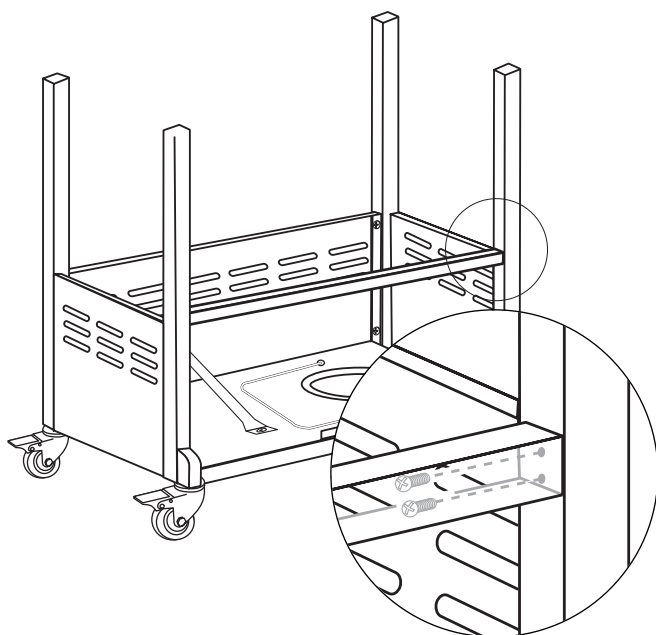
Inserte alambre de cerradura de tanque por dos hoyos pequeños localizados en la base del carrito como ilustrado.





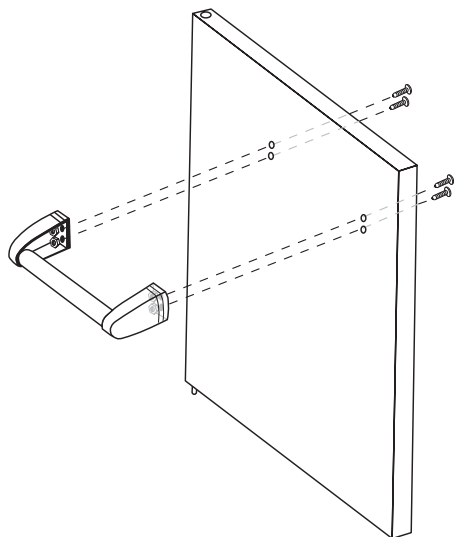
Paso 5

Una el panel trasero a los montajes del panel izquierdo y derecho usando cuatro pernos de M6 X 15mm. Después de conectar el panel trasero fijo, asegure la vara de soporte al panel trasero usando un perno M5 X 10mm y tuerca M5. Asegure la parte inferior de la vara de soporte a la base del carrito con un perno M5 X 10mm.



Paso 6

Una la abrazadera para la puerta al frente del montaje del carro usando cuatro pernos M6 X 15mm.

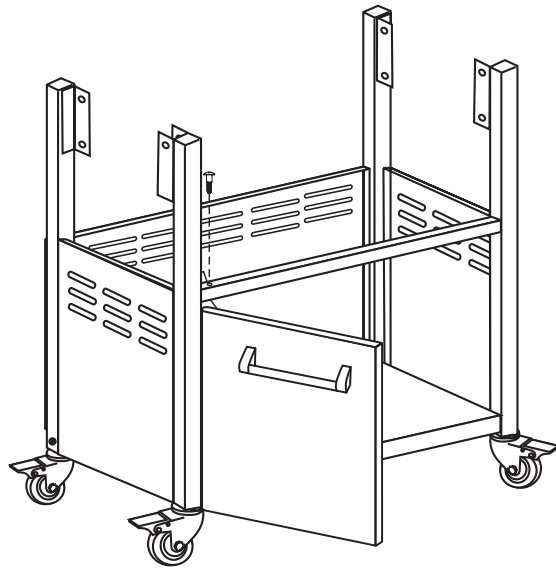


Paso 7

Una un soporte de la manija usando dos pernos de M4 X 10mm y dos tuercas M4. Luego inserte la manija dentro del soporte de la manija. Coloque la otra manija del excedente del soporte y únala usando dos pernos de M4 X 10mm y dos tuercas M4. Repita los pasos para la segunda manija. Repita para la otra puerta.

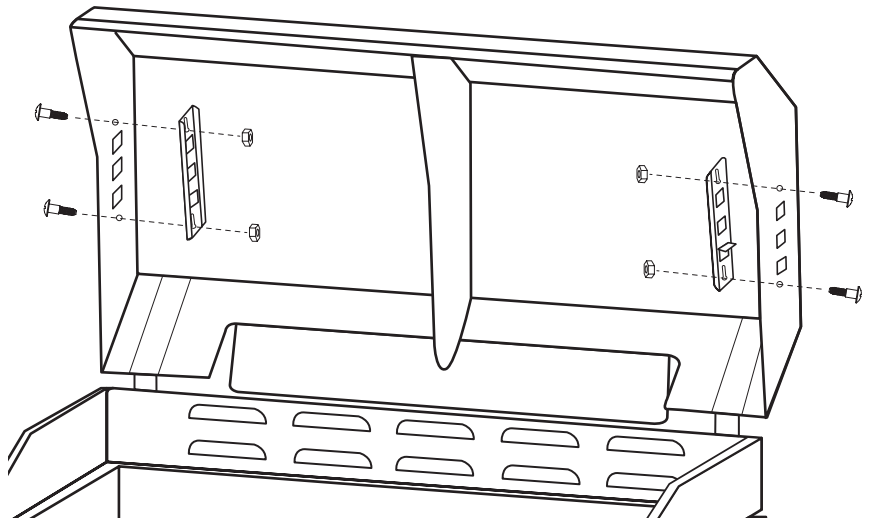
Paso 8

Instale la puerta izquierda insertando el pivote inferior de la puerta en el agujero del pivote del panel inferior. Alinee el agujero en la tapa de la puerta con el agujero en el soporte de la puerta y el perno de hombro de M6 X 15mm, aprieta con seguridad. Repita para la otra puerta.



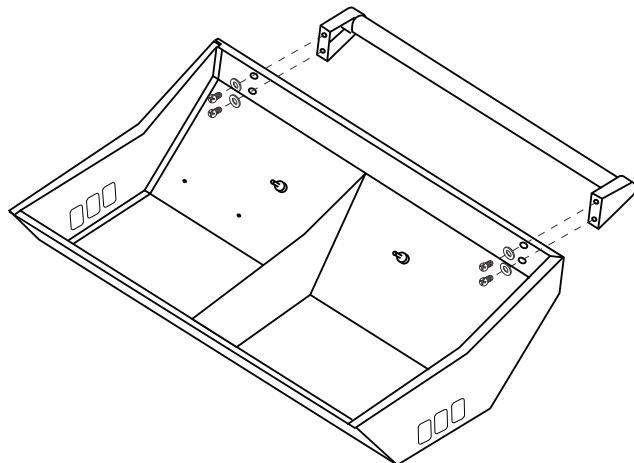
Paso 9

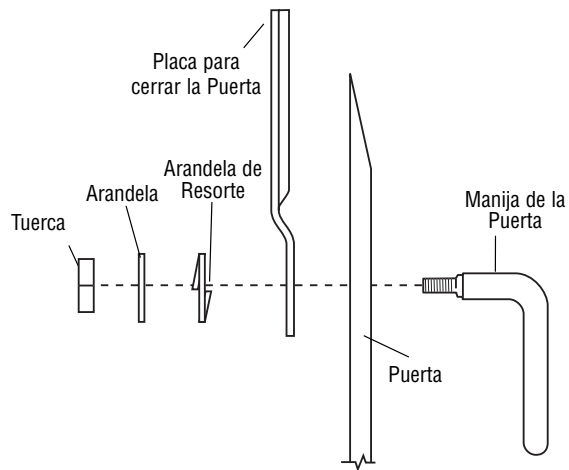
Una el obturador del aire al interior de la tapa de la parrilla alineando el obturador del aire con los agujeros de la tapa de la parrilla, asegure usando dos pernos de hombro de M6 X 15mm y tuercas M6. Repita para el lado opuesto de la tapa de la parrilla.



Paso 10

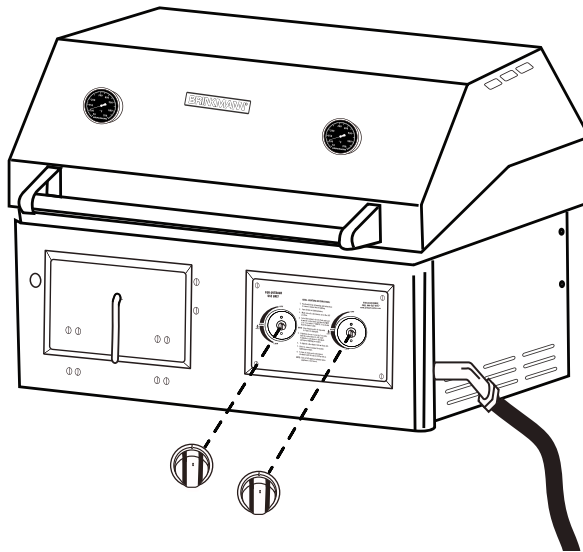
Una el soporte de la manija de la capilla a la tapa de la parrilla usando dos pernos de M6 X 15mm, arandelas M6 y tuercas M6. Inserte la manija de la capilla en el soporte de la manija. Después una el otro soporte de la manija de la capilla a la manija de la parrilla y asegúrelo a la capilla de la parrilla usando dos pernos de M6 X 15mm, arandelas M6 y tuercas M6.





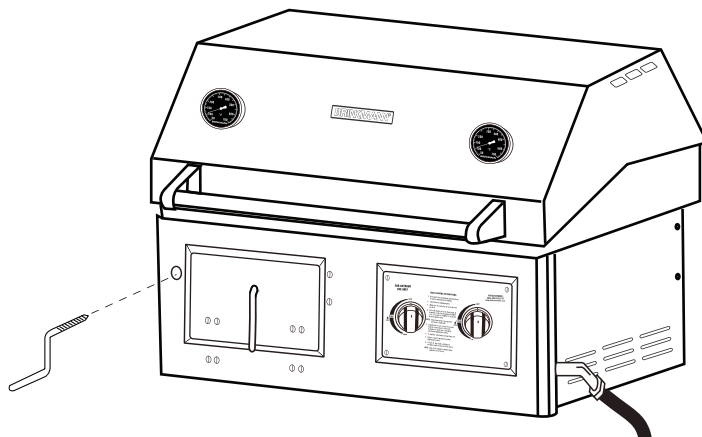
Paso 11

Inserte la manija de la puerta a través del orificio de la puerta con la manija apuntando hacia abajo. Coloque la placa para cerrar la puerta sobre la manija de la puerta apuntando hacia arriba y fije con una tuerca M10, una arandela M10 y una arandela de resorte M10.



Paso 12

Coloque las perillas de control en el panel de control.

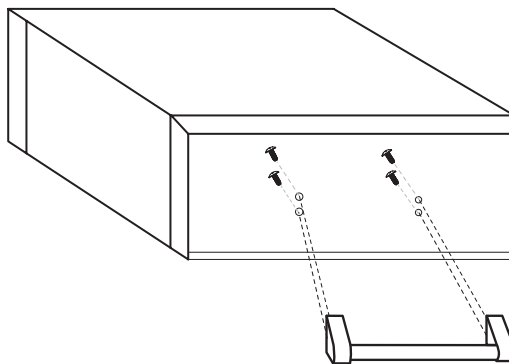


Paso 13

Inserte la manivela del ajustador a través del frente del cuerpo de la parrilla y en los soportes inestables. Gire a la derecha hasta que las manivelas capturen las rejillas del carbón de leña.

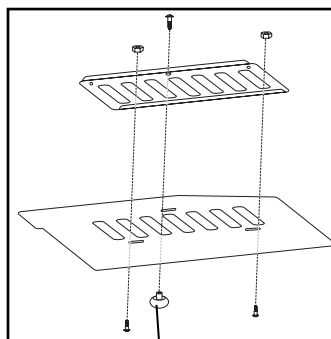
Paso 14

Una un soporte de la manija de la mesa lateral derecha con dos pernos M4 X 10mm y dos tuercas M4. Luego, inserte la manija de la campana al soporte de la manija. Coloque el otro soporte de la manija sobre ésta y una con dos pernos M4 X 10mm y dos tuercas M4.



Paso 15

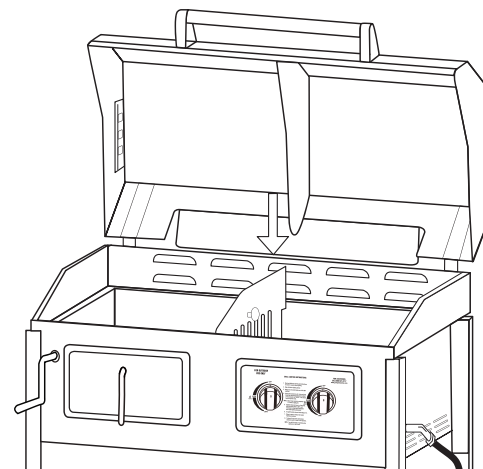
Instale el respiradero del medio sobre el divisor de centro usando tres pernos de hombro de M6 X 15mm, la perilla media del respiradero y dos tuercas M6.



Perilla del Respiradero

Paso 16

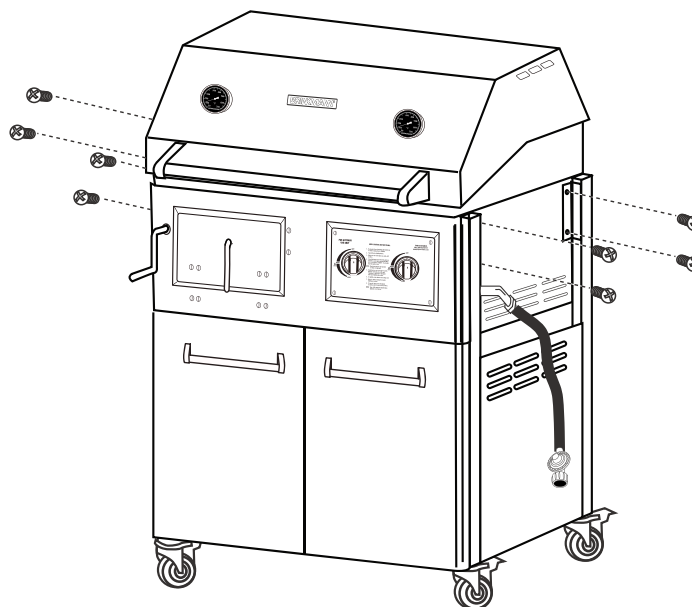
Instale el divisor de centro en las pistas entre las dos secciones del cuerpo de la parrilla.



Nota: Cuando realice el Paso 17, levante el cuerpo de la parrilla desde los paneles frontal y trasero para evitar lesionarse sus manos y dedos.

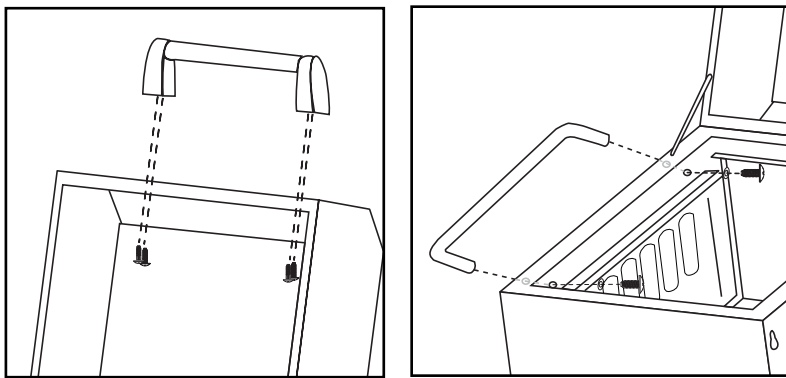
Paso 17

Con la ayuda de un amigo, coloque el ensamblado del cuerpo de la parrilla sobre el marco del carrito ensamblado. El cuerpo de la parrilla descansará sobre la parte superior en ángulo de los soportes verticales. Alinee los orificios para los pernos ubicados fuera del ensamblado del cuerpo de la parrilla y fíjelos con ocho pernos M6 X 15mm. Apriete con seguridad.



⚠ Advertencia:

Nunca use su parrilla sin antes haber realizado la prueba de detección de fugas en todas las conexiones y tuberías del gas. Consulte la sección "Prueba de detección de fugas" de este manual para saber cómo realizarla correctamente.

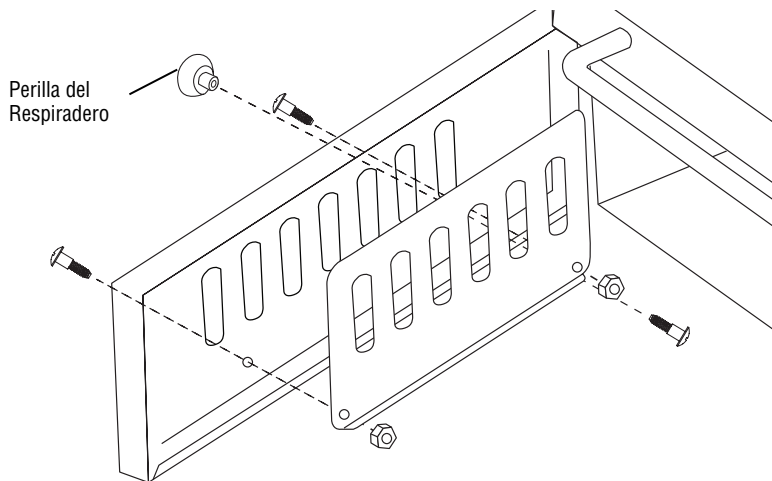


Paso 18

Una el soporte de la manija de la caja de fuego usando dos pernos de M4 X 10mm y tuercas M4. Inserte la manija de la caja de fuego en el soporte de la manija. Después una el otro soporte de la manija a la tapa de la caja de fuego y asegúrelo usando dos pernos de M4 X 10mm y tuercas M4.

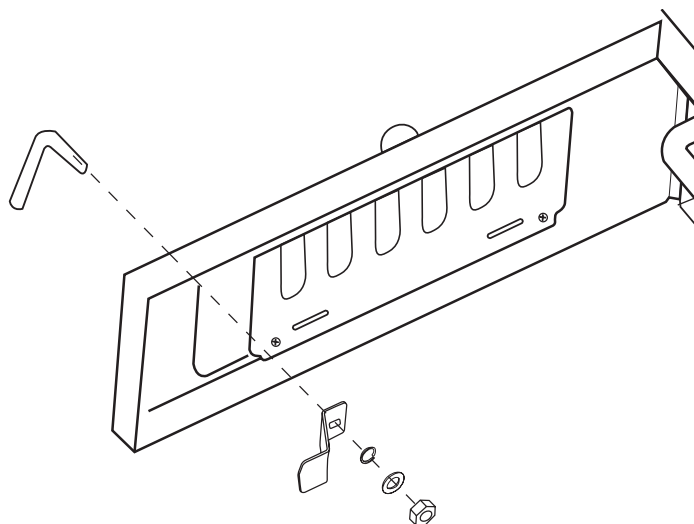
Paso 19

Instale la manija de la caja de fuego del lado izquierdo usando dos pernos de M6 X 10mm y arandelas M6.



Paso 20

Instale el respiradero de la puerta sobre la caja de fuego usando tres pernos de hombro de M6 X 15mm, la perilla del respiradero y dos tuercas M6.

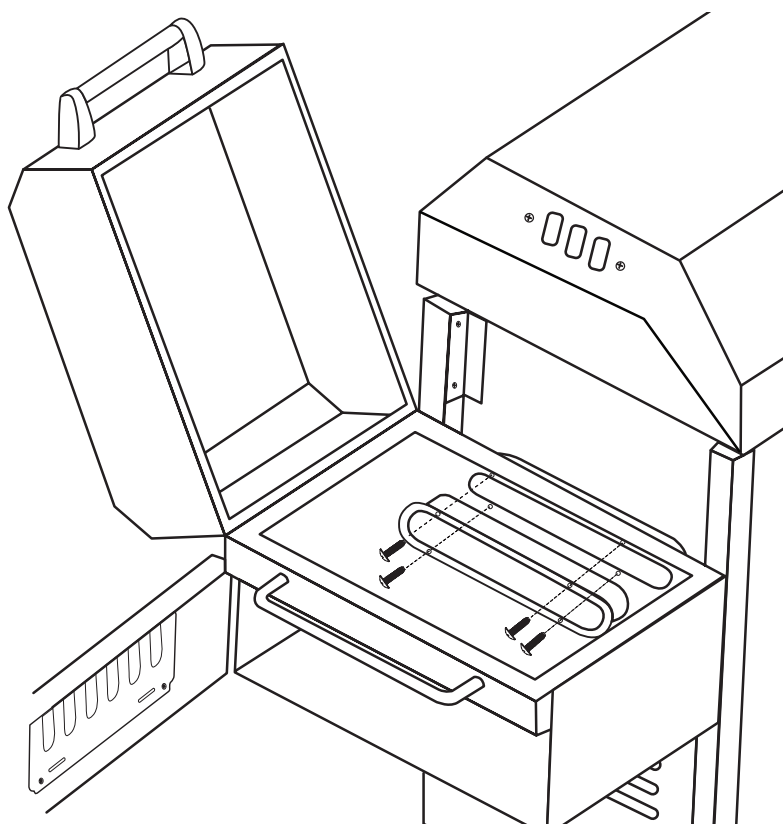


Step 21

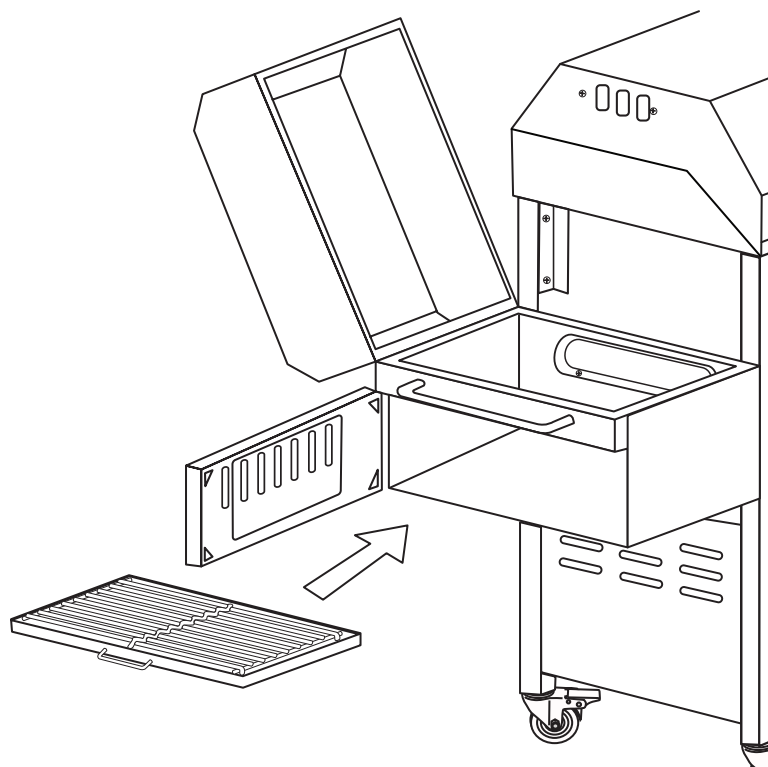
Inserte la manija de la puerta de la caja de fuego a través del orificio de la puerta con la manija apuntando hacia abajo. Coloque la placa para cerrar la puerta sobre la manija de la puerta apuntando hacia arriba y fije con una tuerca M10, una arandela M10 y una arandela de resorte M10.

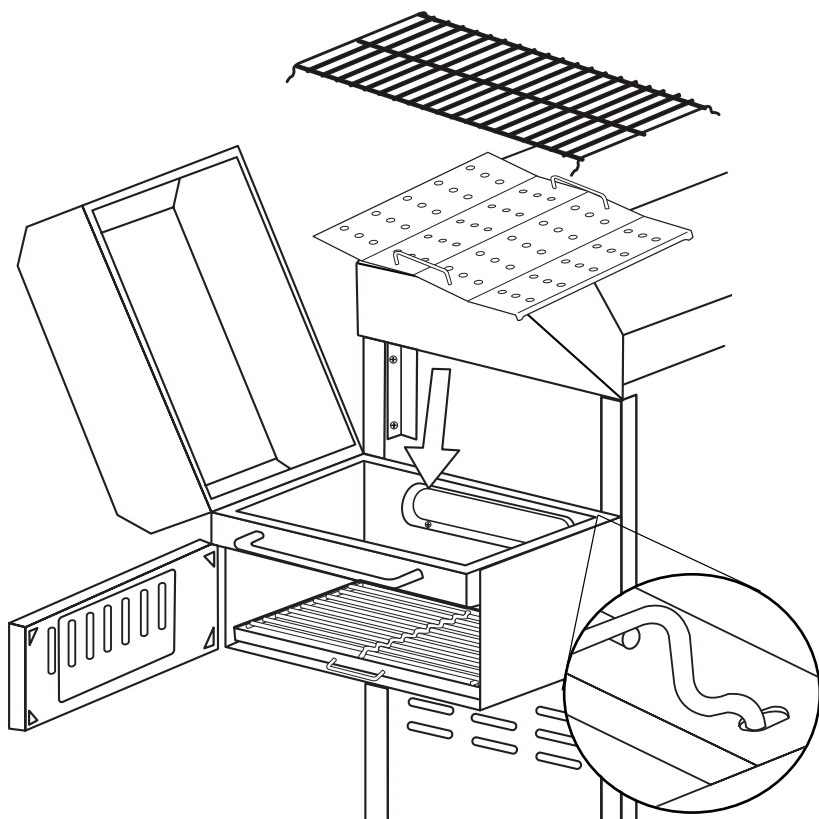
Paso 22

Instale el tubo de la caja de fuego y la caja de fuego al lado izquierdo del cuerpo de la parrilla usando cuatro pernos de M5 X 10mm. Apriete con seguridad.

**Paso 23**

Coloque la cacerola de ceniza dentro de la caja de fuego.



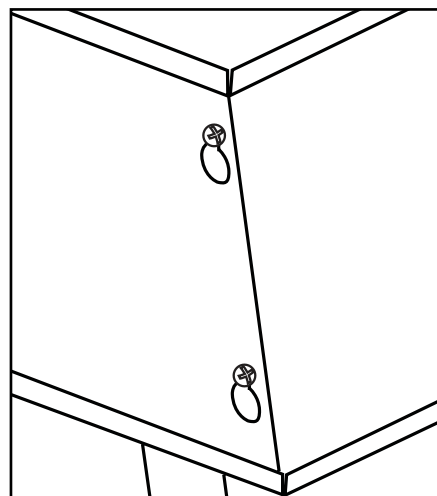
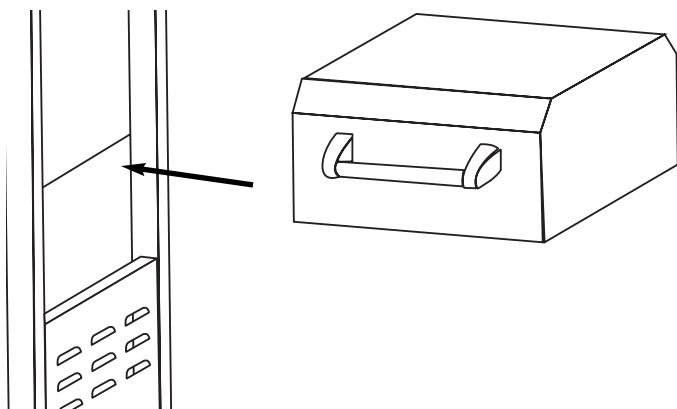


Paso 24

Coloque la rejilla del carbón de leña en labios de soporte directamente sobre la cacerola de ceniza. Coloque la parrilla del carbón de leña en los agujeros en el borde de la caja de fuego sobre la rejilla del carbón de leña y asegúrela sobre la caja de fuego.

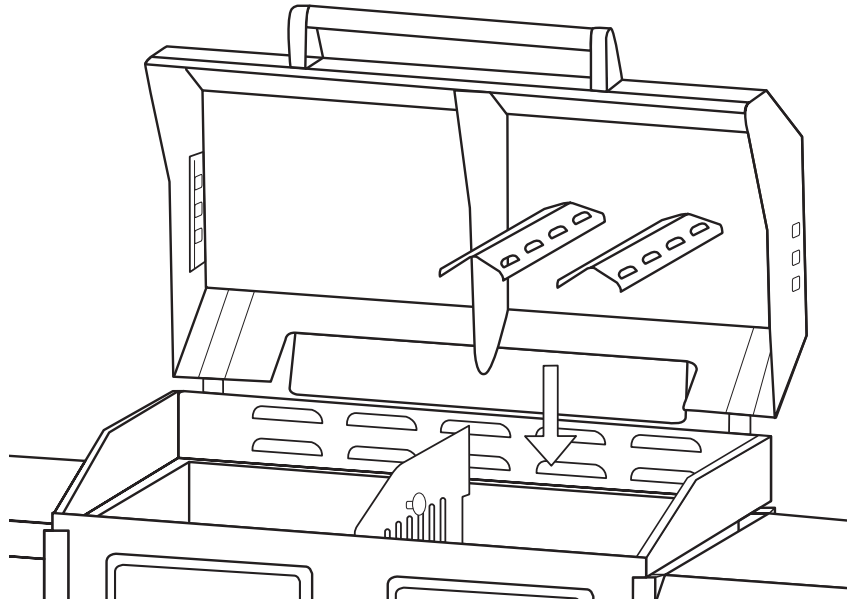
Paso 25

Para unir la mesa del lado derecho, resbale el excedente de la mesa del lado derecho sobre los pernos pre-unidos. Presione abajo para trabarse en posición y apriete con seguridad.



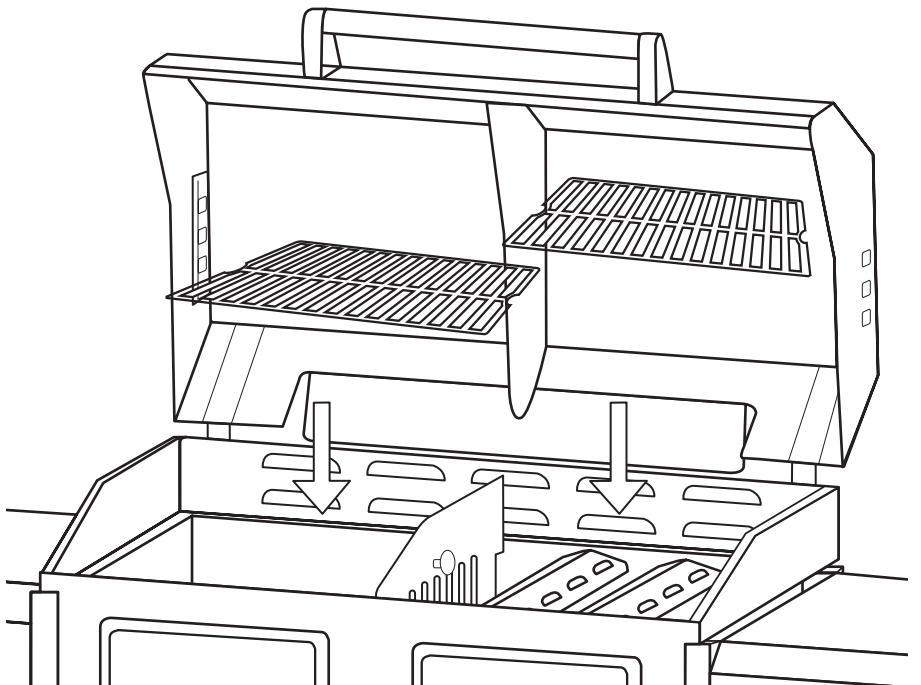
Paso 26

Coloque las placas de distribución del calor en el nivel inferior del montaje del cuerpo de la parrilla directamente sobre las hornillas.

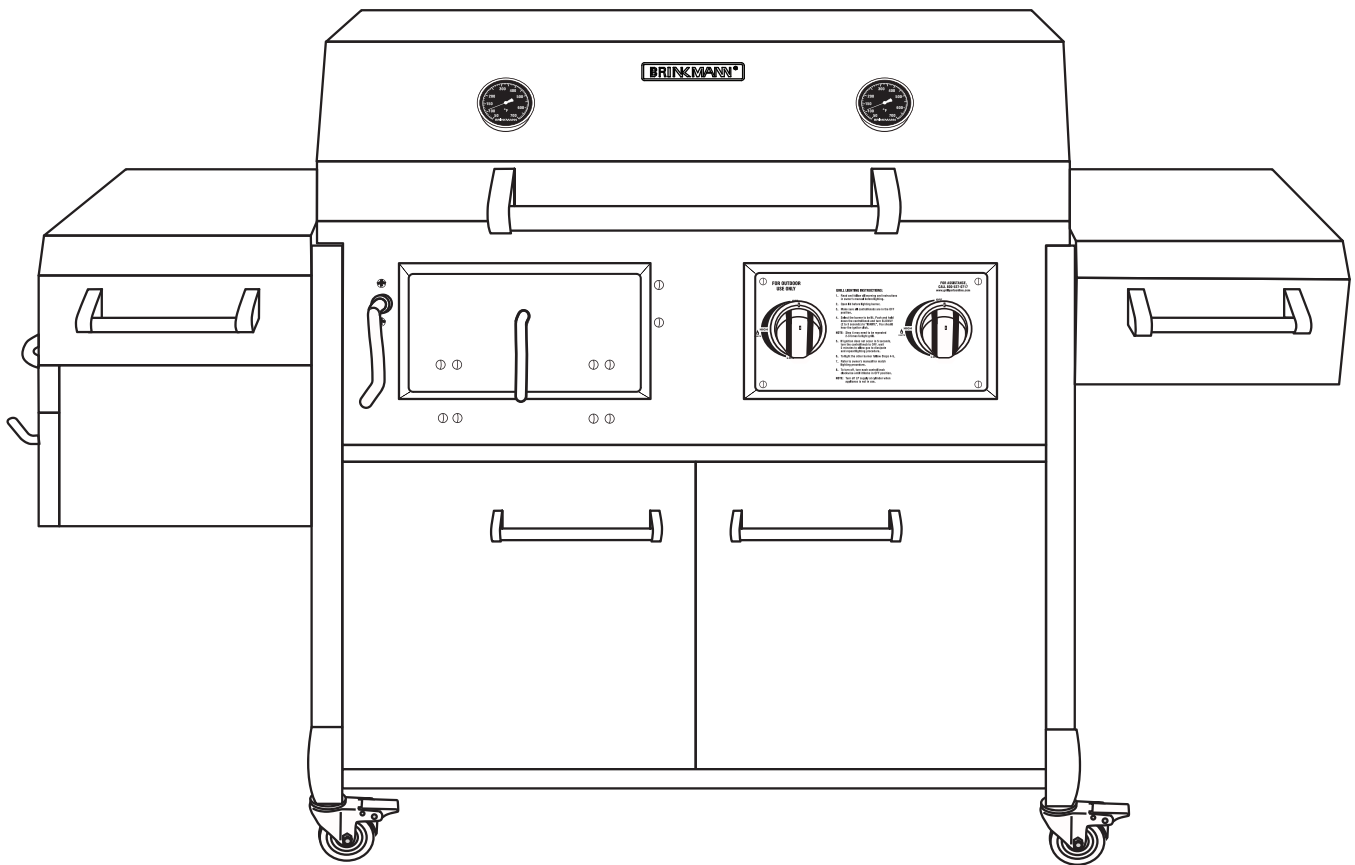


Paso 27

Coloque las parrillas para cocinar en los labios de soporte directamente sobre las placas de la distribución del calor.



Brinkmann 3830 (Armada)



FOR COVERS, ACCESSORIES AND OTHER PRODUCTS, PLEASE VISIT US ONLINE AT:
www.brinkmann.net

FOR GRILL WARRANTY REPLACEMENT PARTS, PLEASE VISIT US AT:
www.grillpartsonline.com

PARA CUBIERTAS, ACCESORIOS Y OTROS PRODUCTOS, FAVOR DE VISITARNOS POR LA RED MUNDIAL EN:
www.brinkmann.net

PARA PARTES DE REEMPLAZO DE PARRILLA BAJO GARANTIA, FAVOR DE VISITARNOS POR LA RED MUNDIAL EN:
www.grillpartsonline.com

ONE YEAR LIMITED WARRANTY

For one year from date of purchase, The Brinkmann Corporation warrants the Brinkmann Triple Function Grill against defects due to workmanship or materials to the original purchaser. The Brinkmann Corporation's obligations under this warranty are limited to the following guidelines:

- This warranty does not cover grills that have been altered or damaged due to: normal wear, rust, abuse, improper maintenance, improper use, disassembly of parts and/or attempted repair by anyone other than an authorized employee of The Brinkmann Corporation.
- This warranty does not cover surface scratches or heat damage to the finish, which is considered normal wear.
- The Brinkmann Corporation may elect to repair or replace damaged units covered by the terms of this warranty.
- This warranty extends to the original purchaser only and is not transferable or assignable to subsequent purchasers.

The Brinkmann Corporation requires reasonable proof of purchase. Therefore, we strongly recommend that you retain your sales receipt or invoice. To obtain replacement parts for your Brinkmann Triple Function Grill under the terms of this warranty, please call Customer Service Department at 800-527-0717. A receipt will be required. The Brinkmann Corporation will not be responsible for any cookers forwarded to us without prior authorization. Brinkmann Triple Function Grill must be returned to the original place of purchase for replacement of the unit.

EXCEPT AS ABOVE STATED, THE BRINKMANN CORPORATION MAKES NO OTHER EXPRESS WARRANTY.

THE IMPLIED WARRANTIES OF MERCHANTABILITY AND FITNESS FOR A PARTICULAR PURPOSE ARE LIMITED IN DURATION TO ONE YEAR FROM THE DATE OF PURCHASE. SOME STATES DO NOT ALLOW LIMITATIONS ON HOW LONG AN IMPLIED WARRANTY LASTS, SO THE ABOVE LIMITATION MAY NOT APPLY TO YOU.

ANY LIABILITY FOR INDIRECT, INCIDENTAL OR CONSEQUENTIAL DAMAGES ARISING FROM THE FAILURE OF THE BRINKMANN TRIPLE FUNCTION GRILL TO COMPLY WITH THIS WARRANTY OR ANY IMPLIED WARRANTY IS EXCLUDED. CUSTOMER ACKNOWLEDGES THAT THE PURCHASE PRICE CHARGED IS BASED UPON THE LIMITATIONS CONTAINED IN THE WARRANTY SET OUT ABOVE. SOME STATES DO NOT ALLOW THE EXCLUSION OR LIMITATION OF INCIDENTAL OR CONSEQUENTIAL DAMAGES, SO THE ABOVE LIMITATION OR EXCLUSION MAY NOT APPLY TO YOU. THIS WARRANTY GIVES YOU SPECIFIC LEGAL RIGHTS, AND YOU MAY ALSO HAVE OTHER RIGHTS WHICH VARY FROM STATE TO STATE.

GARANTÍA LIMITADA DE UN AÑO

Por un año a partir de la fecha de compra, The Brinkmann Corporation garantiza la parrilla Triple Function de Brinkmann contra defectos debidos a la mano de obra o materiales, al comprador original. Las obligaciones de The Brinkmann Corporation bajo esta garantía están limitadas a los siguientes lineamientos:

- Esta garantía no cubre parrillas que han sido alteradas o dañadas debido al: desgaste ordinario, óxido, abuso, mantenimiento inapropiado, uso inapropiado, desensamblaje de piezas y/o el intento de reparación por cualquier persona que no sea un empleado autorizado de The Brinkmann Corporation.
- Esta garantía no cubre rayones en la superficie ni daño al acabado provocado por el calor, el cual es considerado desgaste ordinario.
- The Brinkmann Corporation puede elegir reparar o reemplazar unidades dañadas cubiertas bajo los términos de esta garantía.
- Esta garantía se extiende al comprador original únicamente y no es cedible ni asignable a compradores subsecuentes.

The Brinkmann Corporation requiere una prueba de compra razonable. Por lo tanto le recomendamos fuertemente que **conservar su recibo o factura**. Para obtener piezas de reemplazo para su Parrilla Triple Function de Brinkmann conforme a los términos de esta garantía, por favor llame al Departamento de Servicio al Cliente al 800-527-0717. Un recibo será necesario. The Brinkmann Corporation no se hará responsable por cualquier parrilla que le sea remitida sin autorización previa. La Parrilla Triple Function de Brinkmann debe ser devuelta al lugar original de la compra para el reemplazo de la unidad.

SALVO EN CUANTO A LO ANTERIORMENTE INDICADO, THE BRINKMANN CORPORATION NO HACE OTRA GARANTÍA EXPRESA.

LAS GARANTÍAS IMPLÍCITAS DE CALIDAD E IDONEIDAD PARA UN FIN CONCRETO ESTÁN LIMITADAS EN DURACIÓN A UN AÑO A PARTIR DE LA FECHA DE COMPRA. ALGUNOS ESTADOS NO PERMITEN LIMITACIONES EN CUANTO AL TIEMPO DE DURACIÓN DE UNA GARANTÍA IMPLÍCITA, POR LO QUE LA ANTERIOR LIMITACIÓN PODRÍA NO APLICARLE A USTED.

CUALQUIER RESPONSABILIDAD POR DAÑOS INDIRECTOS, INCIDENTALES O EMERGENTES RESULTANTE DE FALLAS DE LA PARRILLA TRIPLE FUNCTION DE BRINKMANN PARA CUMPLIR CON ESTA GARANTÍA O CUALQUIER GARANTÍA IMPLÍCITA QUEDA EXCLUIDA. EL CONSUMIDOR ACEPTA QUE EL PRECIO DE COMPRA ESTÁ BASADO EN LAS LIMITACIONES CONTENIDAS EN LA GARANTÍA ESTABLECIDA ARRIBA. ALGUNOS ESTADOS NO PERMITEN LA EXCLUSIÓN NI LIMITACIÓN DE LOS DAÑOS INCIDENTALES O EMERGENTES, ASÍ QUE LA LIMITACIÓN O EXCLUSIÓN QUE APARECE ARRIBA PODRÍA NO APLICARLE A USTED. ESTA GARANTÍA LE DA A USTED DERECHOS LEGALES ESPECÍFICOS, Y USTED TAMBIÉN PODRÍA TENER OTROS DERECHOS QUE VARIAN DE ESTADO A ESTADO.