

## Ventilation Fan

### MODELS: 671R & 672R

The Exhaust Fan consists of the housing, power unit/blower assembly (motor, wheel, mounting plate), grille and duct collar.

**FAN MUST NOT BE INSTALLED IN A CEILING INSULATED TO A VALUE GREATER THAN R-40.**

**SUITABLE FOR USE OVER TUB OR SHOWER ENCLOSURE WHEN INSTALLED IN A GFCI PROTECTED BRANCH CIRCUIT.**

#### FOR BEST RESULTS

When installing the Exhaust Fan in a new construction site, install the housing during the rough-in construction. The blower unit and grille should be installed after the finished ceiling is in place.

To install the Exhaust Fan in an existing finished building, an accessible area is required above the planned location (attic or crawl space).

#### IMPORTANT SAFETY INSTRUCTIONS

**WARNING: TO REDUCE THE RISK OF FIRE, ELECTRIC SHOCK, OR INJURY TO PERSONS, OBSERVE THE FOLLOWING:**

- A. Use this unit only in the manner intended by the manufacturer. If you have questions, contact the manufacturer.
- B. Before servicing or cleaning unit, switch power off at service panel and lock service panel to prevent power from being switched on accidentally.  
When the service disconnecting means cannot be locked, securely fasten a prominent warning device, such as a tag, to the service panel.

#### CAUTION:

For general ventilating use only. Do not use to exhaust hazardous or explosive materials and vapors.

**WARNING:** To reduce the risk of fire or electric shock, do not use this fan with any solid-state speed control.

#### INSTALLATION INSTRUCTIONS

**WARNING: TO REDUCE THE RISK OF FIRE, ELECTRIC SHOCK, OR INJURY TO PERSONS, OBSERVE THE FOLLOWING:**

- A. Installation work and electrical wiring must be done by qualified person(s) in accordance with all applicable codes and standards, including fire-rated construction.
- B. Sufficient air is needed for proper combustion and exhausting of gases through the flue (chimney) of fuel burning equipment to prevent back drafting. Follow the heating equipment manufacturer's guideline and safety standards such as those published by the National Fire Protection Association (NFPA), and the American Society for Heating, Refrigeration and Air Conditioning Engineers (ASHRAE), and the local code authorities.

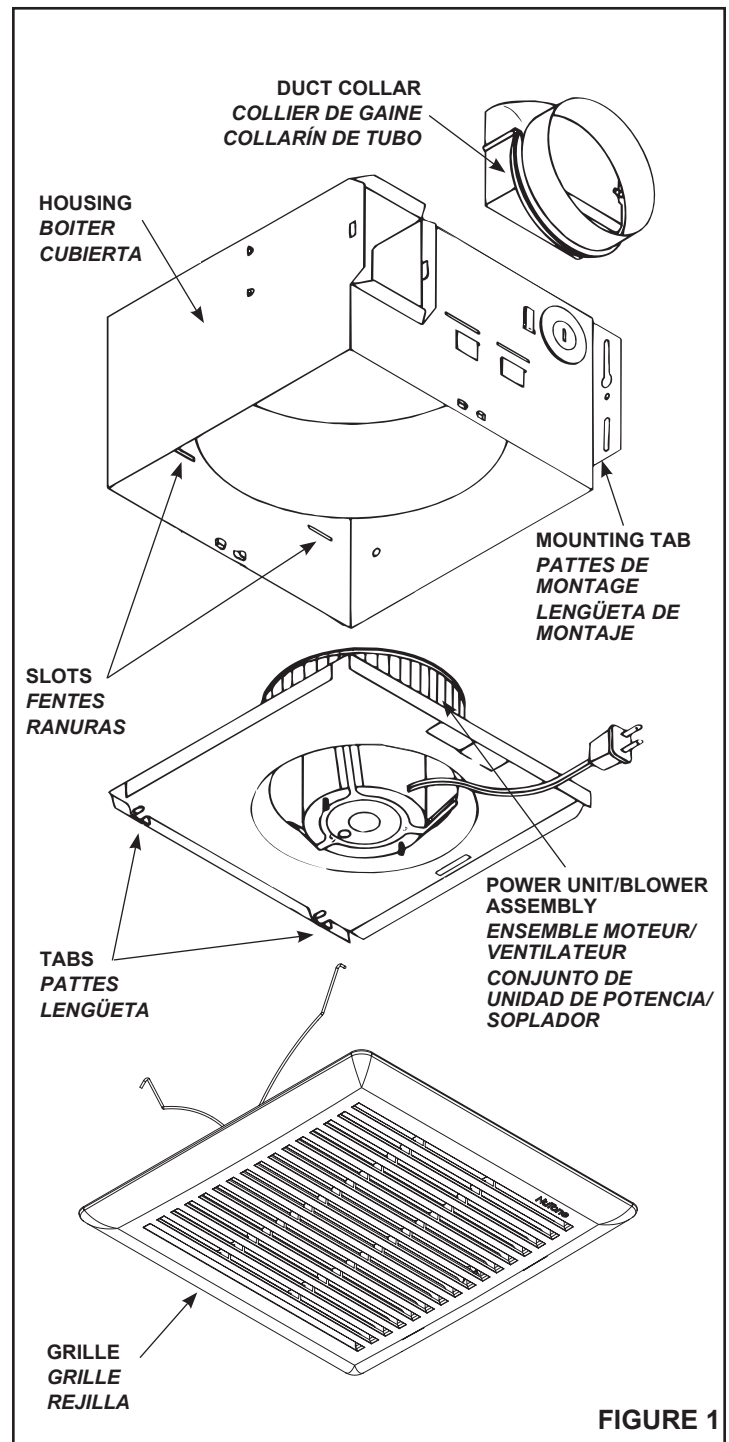


FIGURE 1

- C. When cutting or drilling into wall or ceiling, do not damage electrical wiring and other hidden utilities.
- D. Ducted fans must always be vented to the outdoors.
- E. If this unit is to be installed over a tub or shower, it must be marked as appropriate for the application and be connected to a GFCI (Ground Fault Circuit Interrupter) protected branch circuit.
- F. NEVER place a switch where it can be reached from a tub or shower.

# PLANNING DUCTWORK AND WIRING

## Ductwork

1. Use 4" round duct.
2. Plan to run duct from discharge opening of fan to the outside. For best fan performance, make the duct run as short as possible and use a minimum number of elbows.
3. Use optional ducting accessories as required.

## Wiring

Plan to run 120vAC house wiring (with ground) from the power source through a standard wall switch.

## Preparation

1. **Refer to Figure 1.** Remove blower/power unit assembly from the housing.
  - (a) Unplug the power unit.
  - (b) Remove the screw (located next to plug-in receptacle) which holds blower/power unit mounting plate in place. Do not misplace this screw.
  - (c) Lift the mounting plate at the end near the plug-in receptacle until blower wheel clears the scroll.
  - (d) Remove plate by pulling its tabs out of slots in the housing. Set blower/power unit aside until needed.
2. Remove one of the wiring knockouts from housing.

## MOUNTING THE HOUSING

### Mounting Using Mounting Tabs

Refer to Figure 2.

1. Locate fan housing next to ceiling joist.
2. Using wood screws (not provided) loosely attach the housing to ceiling joist through the keyhole slots in mounting tabs.
3. Adjust housing so that it will be flush with the finished ceiling. For the grille to fit properly, the housing's rim must not extend beyond finished ceiling surface.
4. When housing is properly adjusted, tighten screws in slots.

### Mounting Using Hanger Bars

(hanger bars sold separately, order model HB4)

Refer to Figure 3.

1. Insert hanger bars in slots provided in housing.
2. Locate fan housing between joists so that the bottom of the housing is even with the planned finished ceiling. Extend the hanger bars to the joists.
3. Use screws or nails (not provided) to secure hanger bars to ceiling joists.

## INSTALLING DUCTWORK

1. **Refer to Figure 2.** Place duct collar over flanges at discharge opening of fan. Secure collar by snapping tabs into slots in flanges.
2. Run 4" round duct from outside to fan's discharge opening.
3. Connect duct to fan's duct collar.

## WIRING

**All wiring must comply with local codes and unit must be properly grounded.**

1. Run 120vAC house wiring (with ground) from wall switch to fan location.
2. Pull wire through access hole and into junction box.
3. **Refer to Figure 4.** Use approved wire nuts to connect house supply wires to fixture as follows: white to white; black to black. Connect green or bare ground wire to green ground lead.

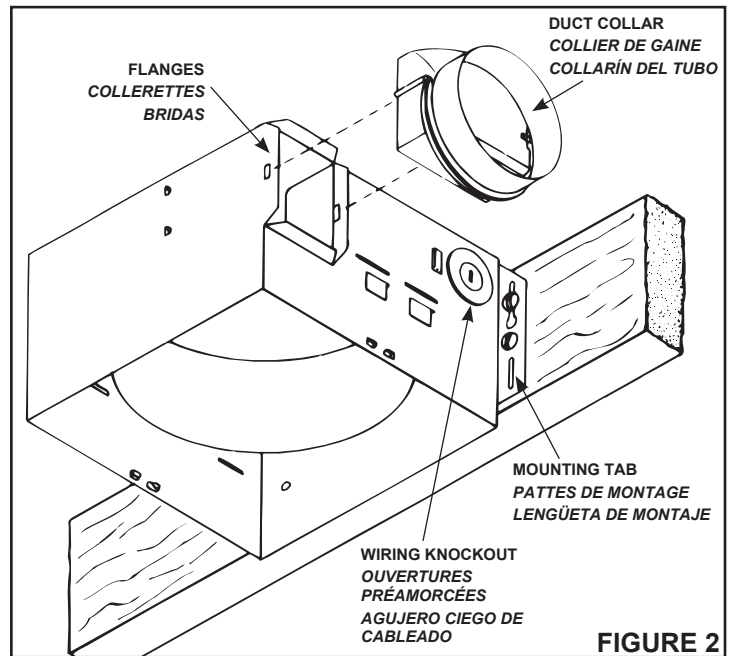


FIGURE 2

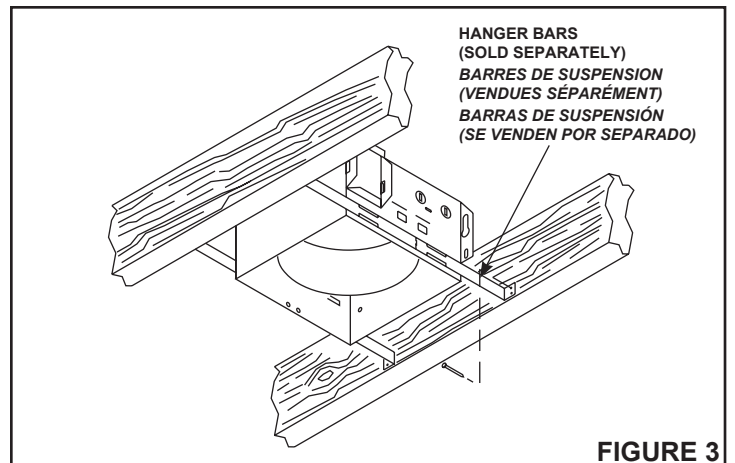


FIGURE 3

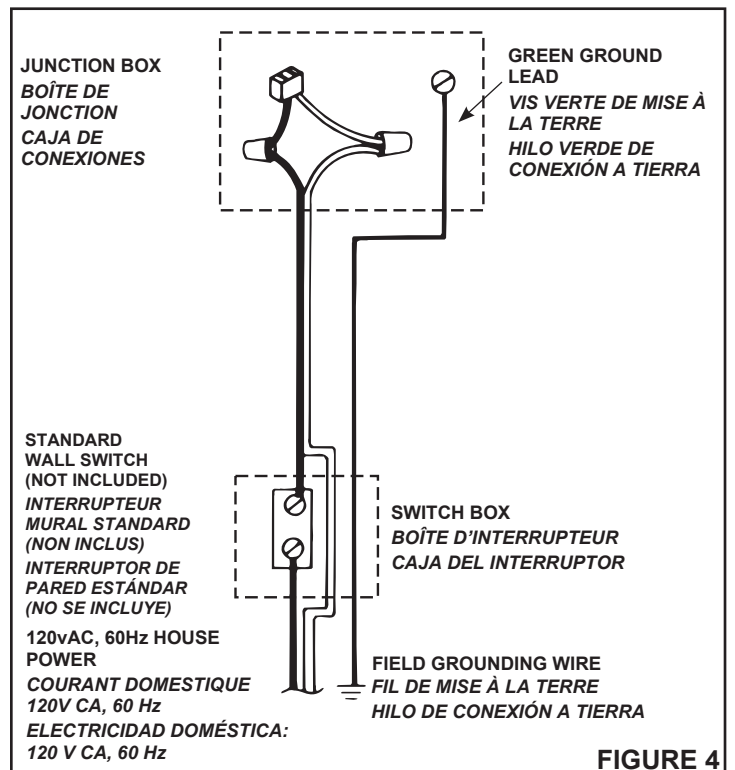


FIGURE 4

## POWER/BLOWER UNIT INSTALLATION

1. Place power/blower unit into housing so that mounting plate's tabs insert into slots in housing.
2. Press other end of mounting plate down until it is firmly seated over scroll and plug-in receptacles.
3. Secure mounting plate to housing with provided screw.
4. Refer to Figure 5. Insert motor plug into junction box receptacle.

## GRILLE INSTALLATION

1. Refer to Figure 6. Squeezing grille's mounting springs together, insert springs into slots on both sides of the housing.
2. Press grille firmly into place against ceiling.

## INSTALLATION IN EXISTING CONSTRUCTION

Note: Installation in a finished house requires at least a small accessible area (attic or crawl space) above the planned installation location.

1. After determining desired location for fan, drill a small hole in the ceiling. Place a coat hanger or other stiff wire up through hole to help in locating from above.
2. Place fan housing on top of ceiling surface and use the housing as a template to mark area to be cut out.
3. After cutting out opening, mount housing in the opening using the hanger bars (sold separately), or mount directly to joist using mounting tabs.
  - A. Insert hanger bars in slots in housing.
  - B. Position housing in opening so that bottom of housing is flush with ceiling.
  - C. Use screws or nails (not provided) to secure hanger bars to ceiling joists.
  - D. Complete installation as described above.

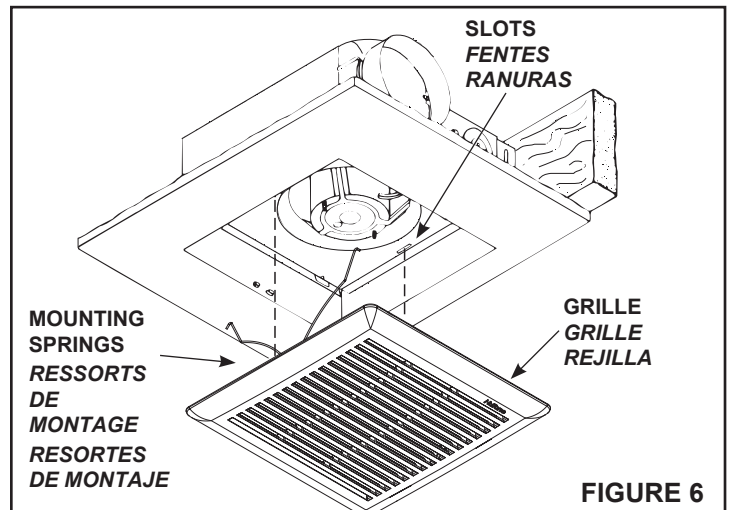


FIGURE 6

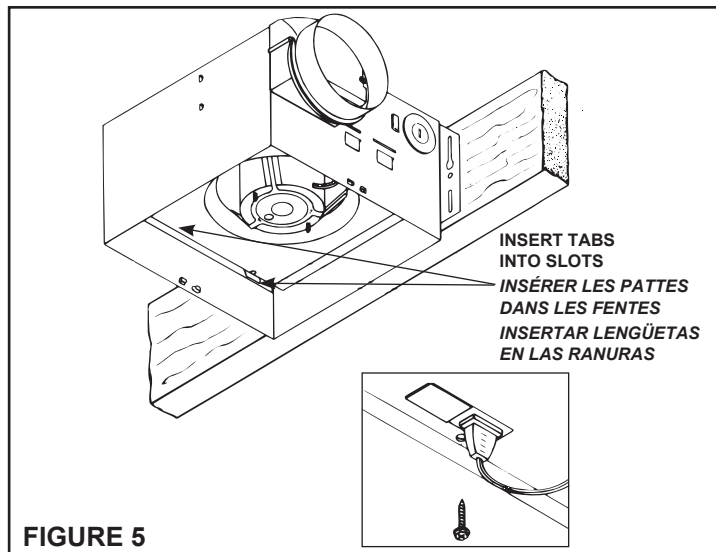


FIGURE 5

# WARRANTY

---

## One Year Limited Warranty

**WARRANTY OWNER:** Broan-NuTone warrants to the original consumer purchaser of its products that such products will be free from defects in materials or workmanship for a period of one (1) year from the date of original purchase. **THERE ARE NO OTHER WARRANTIES, EXPRESS OR IMPLIED, INCLUDING, BUT NOT LIMITED TO, IMPLIED WARRANTIES OF MERCHANTABILITY OR FITNESS FOR A PARTICULAR PURPOSE.**

**During this one year period,** Broan-NuTone will, at its option, repair or replace, without charge, any product or part which is found to be defective under normal use and service. **THIS WARRANTY DOES NOT EXTEND TO FLUORESCENT LAMP STARTERS OR TUBES, FILTERS, DUCT, ROOF CAPS, WALL CAPS AND OTHER ACCESSORIES FOR DUCTING.** This warranty does not cover (a) normal maintenance and service or (b) any products or parts which have been subject to misuse, negligence, accident, improper maintenance or repair (other than by Broan-NuTone), faulty installation or installation contrary to recommended installation instructions.

The duration of any implied warranty is limited to the one year period as specified for the express warranty. Some states do not allow limitation on how long an implied warranty lasts, so the above limitation may not apply to you.

**BROAN-NUTONE'S OBLIGATION TO REPAIR OR REPLACE, AT BROAN-NUTONE'S OPTION, SHALL BE THE PURCHASER'S SOLE AND EXCLUSIVE REMEDY UNDER THIS WARRANTY. BROAN-NUTONE SHALL NOT BE LIABLE FOR INCIDENTAL, CONSEQUENTIAL OR SPECIAL DAMAGES ARISING OUT OF OR IN CONNECTION WITH PRODUCT USE OR PERFORMANCE.** Some states do not allow the exclusion or limitation of incidental or consequential damages, so the above limitation or exclusion may not apply to you. This warranty gives you specific legal rights, and you may also have other rights, which vary from state to state. This warranty supersedes all prior warranties.

**WARRANTY SERVICE:** To qualify for warranty service, you must (a) notify Broan-NuTone at the address or telephone number below, (b) give the model number and part identification and (c) describe the nature of any defect in the product or part. At the time of requesting warranty service, you must present evidence of the original purchase date.

Date of Installation \_\_\_\_\_

Builder or Installer \_\_\_\_\_

Model No. and Product Description \_\_\_\_\_

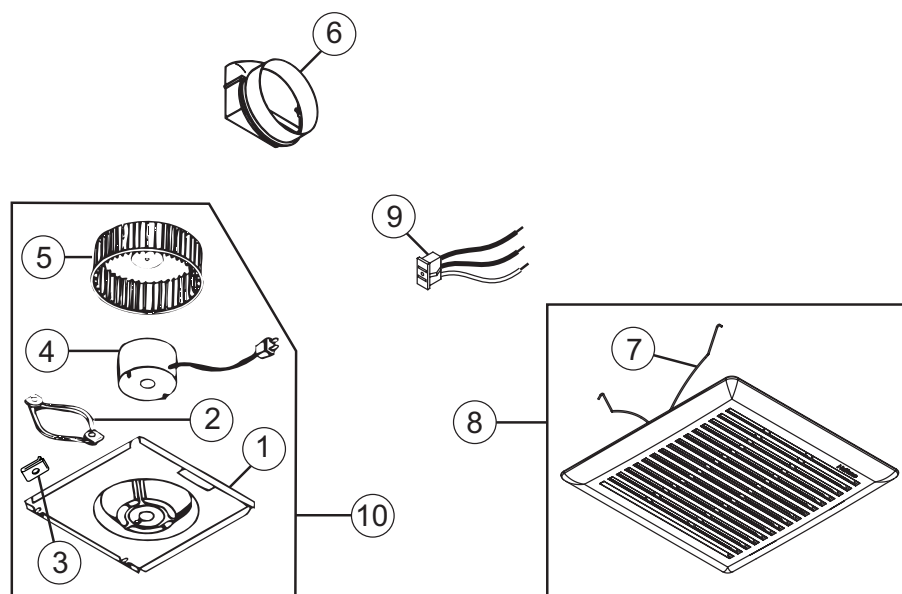
### IF YOU NEED ASSISTANCE OR SERVICE - CONTACT:

Broan-NuTone LLC Hartford, Wisconsin [www.nutone.com](http://www.nutone.com) 888-336-3948  
Broan-NuTone Canada Mississauga, Ontario [www.nutone.ca](http://www.nutone.ca) 877-896-1119

Rev. 08/2007

# SERVICE PARTS

## Models 671R & 672R



KEY NO.	PART NO.	DESCRIPTION
1	101255-000	MOTOR MOUNTING PLATE
2	32787-000	MOTOR ISOLATION MOUNT
3	32788-000	GROUND CLIP
4	100600-000	MOTOR (671R)
	100599-000	MOTOR (672R)
5	100603-000	BLOWER WHEEL
6	30652-000	DUCT ADAPTER ASSEMBLY
7	54714-000	GRILLE SPRING (2 REQ.)
8	97017607	GRILLE ASSEMBLY (INCLUDES GRILLE SPRINGS)
9	99270982	RECEPTACLE
10	97017708	POWER UNIT ASSEMBLY (671R)
	97017709	POWER UNIT ASSEMBLY (672R)

# NuTone®

Broan-NuTone LLC Hartford, Wisconsin www.nutone.com 888-336-3948

