

Brookstone®

Big Blue Party X™

INDOOR-OUTDOOR WIRELESS SPEAKER



TABLE OF CONTENTS

Warnings and Cautions.....	1
Location of Parts and Controls.....	6
Charging the Speaker.....	8
Pairing Your Device.....	8
Pairing Your Device with NFC.....	9
Using Big Blue Party X After Pairing.....	9
Adjusting Volume.....	10
Adjusting Bass.....	10
Adjusting Treble.....	10
Using Aux In.....	11
LED Ring and Handle LEDs On/Off.....	11
Battery Level.....	12
Compatibility.....	12
Care and Storage.....	12
Troubleshooting.....	13
Specifications.....	14
Warranty.....	16

CAUTION

- TO REDUCE THE RISK OF ELECTRIC SHOCK, DO NOT REMOVE COVER. THERE ARE NO SERVICEABLE PARTS INSIDE.
- TO REDUCE THE RISK OF FIRE OR ELECTRIC SHOCK, DO NOT EXPOSE THIS UNIT TO RAIN OR MOISTURE.



The lightning flash with arrow-head symbol within an equilateral triangle is intended to alert the user to the presence of uninsulated "dangerous voltage" within the unit's enclosure that may be of sufficient magnitude to constitute a risk of electric shock.



The exclamation point within an equilateral triangle is intended to alert the user to the presence of important operating and maintenance (servicing) instructions in the literature accompanying the unit.

IMPORTANT SAFETY INSTRUCTIONS

All the safety and operating instructions should be read, heeded, adhered to and followed before the unit is operated.

SAFETY AND HANDLING INFORMATION

For maximum product life, do not drop, throw or crush the speaker. Do not expose it to humidity, dust, or operating temperatures outside 32°F to 113°F (0°C to 45°C).

SAVE THESE INSTRUCTIONS!

DANGER

To reduce the risk of electric shock, burns, fire or injury:

1. Do not use while bathing or in a shower.
2. Do not place or store unit where it can fall or be pulled into a tub or sink.
3. Do not place in, drop or submerge in water or other liquid.
4. Do not reach for a unit that has fallen into water. Unplug it immediately.
5. Care should be taken so that objects do not fall and liquids are not spilled onto the unit.

WARNING

1. Close supervision is necessary when this appliance/product is used by or near children or mentally disabled individuals.
2. Use this unit only for its intended use as described in this manual.
3. Ensure this unit is completely dry before charging.
4. Unplug this unit during lightning storms or when unused for long periods of time.
5. Never drop or insert an object into any opening.
6. Protect the power cord from being walked on or pinched, particularly at plug

outlets, convenience receptacles and the point where it exits the unit.

7. Do not allow cord to touch hot surfaces. Wrap cord loosely around the unit when storing.
8. The unit should be situated away from direct sunlight or heat sources such as radiators, electric heaters, heat registers, stoves, or other units (including amplifiers) that produce heat. Avoid placing on top of stereo equipment that radiates heat.
9. Never block the air openings of the unit with materials such as clothing, plastic bags or papers, or place it on a soft surface such as a bed or couch, where the air openings may be blocked.
10. Do not overload the electrical outlet. Use the power source only as indicated.
 11. Do not carry this unit by its cord or use the cord as a handle.
 12. Never operate this unit if it has a damaged cord or plug, if it is not working properly, or if it has been dropped or damaged, or dropped into water. If the unit's power supply cord or plug is damaged, do not attempt to fix it yourself.
 13. To avoid the risk of electric shock, do not disassemble or attempt to repair the unit. Incorrect repair can cause risk of electric shock or injury to persons when the unit is used.
 14. Do not operate in the presence of explosive and/or flammable fumes.
 15. Never remove the plug from the outlet by pulling the power cord.

FCC INFORMATION

This equipment has been tested and found to comply with the limits for a Class B Digital Device, pursuant to Part 15 of the FCC Rules. These limits are designed to provide reasonable protection against harmful interference in a residential installation. This equipment generates, uses, and can radiate radio frequency energy and, if not installed and used in accordance with the instructions, may cause harmful interference to radio communications. However, there is no guarantee that interference will not occur in a particular installation.

If this equipment does cause harmful interference to radio or television reception, which can be determined by turning the equipment off and on, the user is encouraged to try to correct the interference by one or more of the following measures:

- Reorient or relocate the receiving antenna.
- Increase the distance between the equipment and receiver.
- Connect the equipment to an outlet on a circuit different from that to which the receiver is connected.
- Consult the dealer or an experienced radio/TV technician for help.

This equipment complies with Part 15 of the FCC Rules. Operation is subject to the following two conditions:

1. This equipment may not cause harmful interference.
 2. This equipment must accept any interference received, including interference
- Caution:** The user is cautioned that changes or modifications not expressly approved by the party responsible for compliance could void the user's authority to operate the equipment.

FCC ID: 2AFVN-AR118A2XXX

RSS INFORMATION

This device complies with RSS-247 of the IC Rules; Operation is subject to the following two conditions: (1) this device may not cause harmful interference, and (2) this device must accept any interference received, including interference that may cause undesired operation.

Cet appareil est conforme à la norme RSS-247 de la réglementation d'Industrie Canada; son utilisation est soumise aux deux conditions suivantes : (1) l'appareil ne doit pas produire de brouillage, et (2) l'utilisateur de l'appareil doit accepter tout brouillage radioélectrique subi, même si le brouillage est susceptible d'en compromettre le fonctionnement.

This Class B digital apparatus complies with Canadian ICES-003.

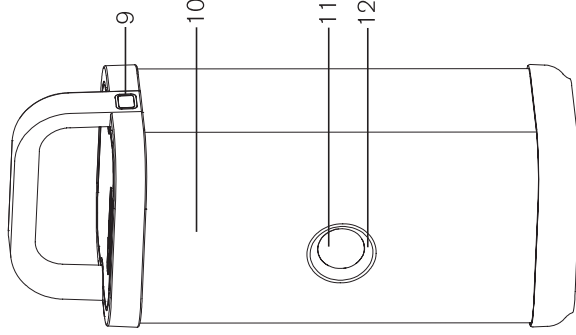
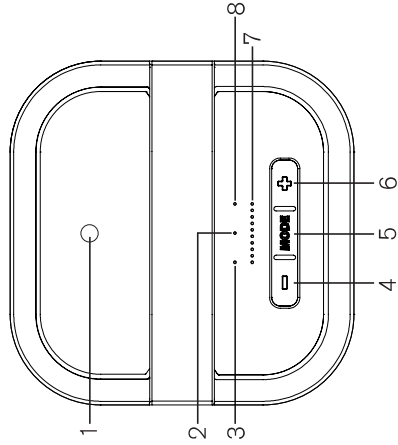
Cet appareil numérique de la classe B est conforme à la norme NMB-003 du Canada.

LI-ION BATTERY WARNINGS

This device contains a Lithium-ion battery. The battery must be recycled or disposed of properly. Contact your local waste management office for information on battery recycling or disposal.

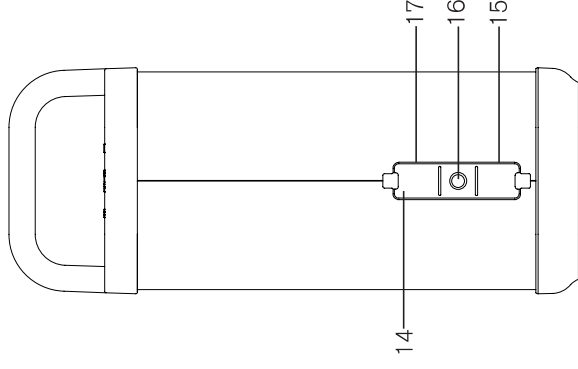
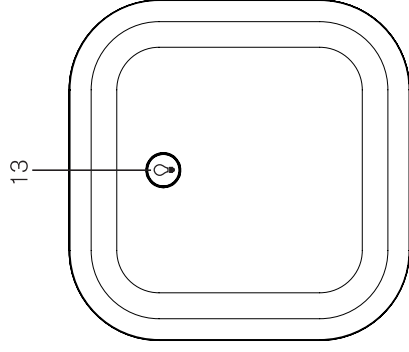
LOCATION OF PARTS AND CONTROLS (FRONT AND TOP)

1. NFC Sensor
2. Volume Mode LED Indicator
3. Bass Mode LED Indicator
4. Bass/Volume/Treble Level - Button
5. Mode Button
6. Bass/Volume/Treble Level + Button
7. Bass/Volume/Treble/Battery Level LED Indicators
8. Treble Mode LED Indicator
9. Handle LED (2)
10. Charging LED Indicator
11. Power/Pairing Button
12. LED Ring



LOCATION OF PARTS AND CONTROLS (BACK AND BOTTOM)

13. Lights On/Off button
14. Rubber Cover
15. DC In Power Port (behind Rubber Cover)
16. Battery Level Button
17. Aux In Port (behind Rubber Cover)
18. Adapter (not shown)



CHARGING THE SPEAKER

1. Lift the RUBBER COVER and connect the ADAPTER's jack to the DC IN POWER PORT on the Big Blue Party X.
2. Plug the ADAPTER into an electrical outlet.
3. The CHARGING LED INDICATOR is RED while the speaker is charging. When the speaker is fully charged, the CHARGING LED INDICATOR turns off. For first time use, charge the speaker for at least 5 hours.
4. When speaker's battery is low, the CHARGING LED INDICATOR will flash RED.

PAIRING YOUR DEVICE

1. Prepare your device to pair using Bluetooth®, making sure you are within 33 feet of Big Blue Party X. Refer to your device's owner's manual for details if necessary.
2. Press the POWER/PAIRING button on the main unit to turn on the Big Blue Party X until the LED RING illuminates solid and a tone sounds.
3. Press and hold the Power/Pairing button on the main unit until the LED RING starts pulsing.
4. The Big Blue Party X is in pairing mode when the LED RING is pulsing. Big Blue Party X will wait for a connection in pairing mode for up to 120 seconds.
5. Once Big Blue Party X is in pairing mode and your device is ready to pair, select "Big Blue Party X." If prompted, use 0000 as a PIN for the pairing code.
6. Once Big Blue Party X is selected, the LED RING will change to solid blue and a tone will sound to confirm pairing is complete.

Note: To cancel the pairing mode press the POWER/PAIRING button to power the unit off, or wait the 120 seconds for Big Blue Party X to cancel pairing automatically. The LED RING will return to solid blue, and the unit will remain on.

PAIRING YOUR DEVICE WITH NFC

1. Enable your device for NFC pairing. Refer to your device's owners manual for details if necessary.
2. Touch your device to Big Blue's NFC SENSOR (indicated by a small circle located on the top of the speaker). Confirm the connection on your device.

USING BIG BLUE PARTY X AFTER PAIRING

1. Press the POWER/PAIRING button to turn on the Big Blue Party X until the LED RING illuminates solid and a tone sounds.
2. Big Blue Party X should automatically remember your device. Depending upon your device, you may have to select "Big Blue Party X" in your device's menu.
3. To turn Big Blue Party X off, press the POWER/PAIRING button.

Note: When Big Blue Party X is powered on, pressing any button will activate the function LEDs, LED RING, AND HANDLE LEDs for 5 seconds. After 5 seconds has passed, the function LEDs turn off and the LED RING and HANDLE LEDs remain on at a low brightness level.

Note: If there is no Bluetooth connection to Big Blue Party X, the speaker will auto power off after 3 hours to preserve battery life when it is not charging or using AUX IN.

ADJUSTING VOLUME

1. Press the MODE button until the VOLUME MODE LED INDICATOR illuminates.
2. Press the + button to increase the Volume.
3. Press the — button to decrease the Volume.
4. The VOLUME LEVEL INDICATOR LEDs will indicate that the Volume level is adjusting.

BLUETOOTH DEVICE SETTINGS

Many Bluetooth Streaming Devices have their own EQ sound settings. To optimize your Big Blue Party X listening experience, adjust the EQ settings on your Bluetooth Streaming Device. Consult your device's user manual.

ADJUSTING BASS

1. Press the MODE button until the BASS MODE LED INDICATOR illuminates.
2. Press the + button to increase the Bass.
3. Press the — button to decrease the Bass.
4. The BASS LEVEL INDICATOR LEDs will indicate that the Bass level is adjusting.

ADJUSTING TREBLE

1. Press the MODE button until the TREBLE MODE LED INDICATOR illuminates.
2. Press the + button to increase the Treble.
3. Press the — button to decrease the Treble.
4. The TREBLE LEVEL INDICATOR LEDs will indicate that the Treble level is adjusting.

USING AUX IN

Connect your audio device to the speaker with a 3.5mm-to-3.5mm cable (not included).

1. Plug one end of the cable into your audio device, just like you would a pair of headphones.
2. Lift the RUBBER COVER and plug the other end of the cable into the 3.5mm port labeled AUX IN on the Big Blue Party X.
3. Use your audio device to control music playback and volume through Big Blue Party X.

Note: The AUX IN function takes precedence over the Bluetooth® connection.

LED RING AND HANDLE LEDs ON/OFF

To control the LED RING and HANDLE LEDs, press the LIGHTS ON/OFF BUTTON on the bottom of the Big Blue Party X.

Note: When the LED RING and HANDLE LEDs are off, pressing any button will activate the function LEDs for 5 seconds. After 5 seconds has passed, the function LEDs turn off.

BATTERY LEVEL

Press the BATTERY LEVEL BUTTON. The BATTERY LEVEL INDICATOR LEDs will flash several times to indicate the battery level.

COMPATIBILITY

Bluetooth 2.1 or above device with A2DP and AVRCP.

CARE AND STORAGE

Warning: this product contains a lithium-ion battery. To prevent injury, store it out of direct sunlight.

Clean the speaker with a soft, dry cloth.

TROUBLESHOOTING

ISSUE	SOLUTION
Bluetooth disconnection.	Ensure your device is within 33 feet of Big Blue Party X and reconnect your device to Big Blue Party X.
Sound is not clear or there is no sound at all.	Restart Big Blue Party X by powering off and then on. Adjust your device's equalizer. Check Big Blue Party X or your device's volume level.
Music won't play on the speaker.	Make sure Big Blue Party X is fully charged. Confirm device is paired to Big Blue Party X. Note: Big Blue Party X remembers the last device paired. If you would like to use another device, pair that device manually. Please refer to page 8 for pairing instructions. Press and hold the LIGHTS ON/OFF button for 10 seconds to perform a hard shut down. Power on Big Blue Party X and pair your device. Please refer to page 8 for pairing instructions.

SPECIFICATIONS

Power Supply.....	18V 3.5A
Rechargeable Battery.....	1 1.1V 5200mAh
Battery Life.....	Approx. 2.5 hours
Total Power Output.....	120 Watts (30W per Channel; 60W per subwoofer)
Range.....	Class 2, up to 33 ft (10 m)
Compatibility.....	Bluetooth 2.1 with A2DP and AVRCP
Frequency Response.....	40Hz - 20kHz
Drivers	4 x 2.5" Mid-range driver + 1 x 5" x 7" Passive Radiator + 1 x 5.5" Subwoofer
Water Resistance	Splash Resistant
Product Weight	12 lbs (approximately)
Product Dimensions (with handle)	6.3"w x 6.3"d x 15.8"h

NOTES

The Bluetooth® word mark and logos are registered trademarks owned by Bluetooth SIG, Inc. and any use of such marks by Brookstone is under license.

© Brookstone 2017

ONE (1) YEAR LIMITED WARRANTY

Brookstone® warrants this product against defects in materials and/or workmanship under normal use for a period of ONE (1) YEAR from the date of purchase by the original purchaser ("Warranty Period"). If a defect arises and a valid claim is received within the Warranty Period, at its option, Brookstone will either 1) repair the defect at no charge, using new or refurbished replacement parts, or 2) replace the product with a new product that is at least functionally equivalent to the original product, or 3) provide a store credit in the amount of the purchase price of the original product. A replacement product or part, including a user-installable part installed in accordance with instructions provided by Brookstone, assumes the remaining warranty of the original product. When a product or part is exchanged, any replacement item becomes your property and the replaced item becomes Brookstone's property. When a store credit is given, the original product must be returned to Brookstone and becomes Brookstone's property.

Obtaining Service: To obtain warranty service, call Brookstone Limited Warranty Service at 1-800-292-9819. Please be prepared to describe the product that needs service and the nature of the problem. A purchase receipt is required. All repairs and replacements must be authorized in advance. Service options, parts availability and response times will vary. You are responsible for delivery and the cost of delivery of the product or any parts to the authorized service center for replacement, per our instructions.

Limits and Exclusions: Coverage under this Limited Warranty is limited to the United States of America, including the District of Columbia and the U.S. Territories of Guam, Puerto Rico, and the U.S. Virgin Islands. This Limited Warranty applies only to products manufactured for Brookstone that can be identified by the "Brookstone" trademark, trade name, or logo affixed to them or their packaging. The Limited Warranty does not apply to any non-Brookstone products. Manufacturers or suppliers other than Brookstone may provide their own warranties to the purchaser,

but Brookstone, in so far as permitted by law, provides these products "as is." This warranty does not apply to: a) damage caused by failure to follow instructions relating to product's use or the installation of components; b) damage caused by accident, abuse, misuse, fire, floods, earthquake or other external causes; c) damage caused by service performed by anyone who is not a representative of Brookstone; d) accessories used in conjunction with a covered product; e) a product or part that has been modified to alter functionality or capability; f) items intended to be periodically replaced by the purchaser during the normal life of the product including, without limitation, batteries or light bulbs; g) any product sold "as is" including, without limitation, floor demonstration models and refurbished items; or h) a product that is used commercially or for a commercial purpose.

BROOKSTONE SHALL NOT BE LIABLE FOR INCIDENTAL OR CONSEQUENTIAL DAMAGES RESULTING FROM THE USE OF THIS PRODUCT, OR ARISING OUT OF ANY BREACH OF THIS WARRANTY. TO THE EXTENT PERMITTED BY APPLICABLE LAW, BROOKSTONE DISCLAIMS ANY AND ALL STATUTORY OR IMPLIED WARRANTIES, INCLUDING, WITHOUT LIMITATION, WARRANTIES OF MERCHANTABILITY, FITNESS FOR A PARTICULAR PURPOSE AND WARRANTIES AGAINST HIDDEN OR LATENT DEFECTS. IF BROOKSTONE CANNOT LAWFULLY DISCLAIM STATUTORY OR IMPLIED WARRANTIES, THEN TO THE EXTENT PERMITTED BY LAW, ALL SUCH WARRANTIES SHALL BE LIMITED IN DURATION TO THE DURATION OF THIS EXPRESS WARRANTY.

Some states disallow the exclusion or limitation of incidental or consequential damages or how long an implied warranty lasts, so the above exclusions or limitations may not apply to you. This warranty gives you specific legal rights and you may also have other rights, which vary from state to state.

Find thousands more
great ideas online

Brookstone[®]

325107 326172 326174

Merrimack, New Hampshire, USA 03054 ▪ 800-846-3000 ▪ Brookstone.com