

brother[®]
At your side.



CP2000

User's Manual

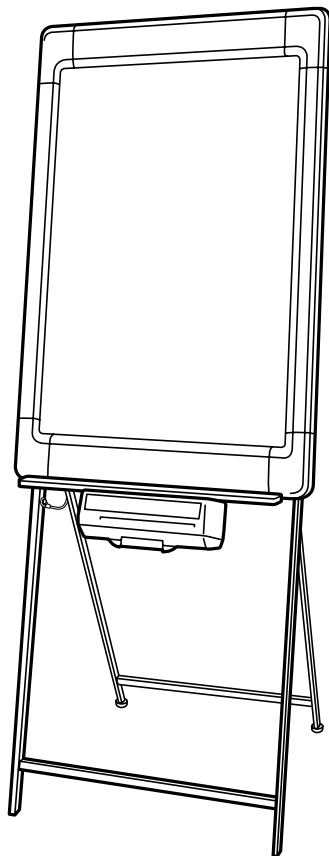
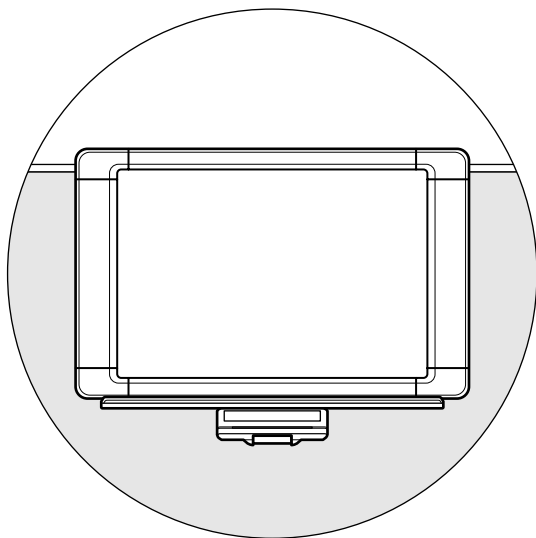


Table of Contents

1. Important Safety Precautions	1
2. Setup	2
3. Operation	16
4. Maintenance	21
5. Specifications	26
6. Accessories	27

Thank you for purchasing the Brother CP2000 copyboard. This copyboard has been designed for easy operation; however, we suggest that you first read this User's Manual so that you can install the copyboard safely and use the copyboard to its fullest potential. In addition, we suggest that you keep this manual in a handy place for future reference.

If You Need to Call Customer Service:

Please complete the following information for future reference.

Model Number: CP2000

Serial Number*:

Date of Purchase:

Place of Purchase:

* The serial number is on the back of the unit.

Retain this User's Manual with your sales receipt as a permanent record of your purchase, in the event of a theft, fire or warranty service.

Compilation and Publication Notice

This manual, covering the latest product descriptions and specifications, has been compiled and published under the supervision of Brother Industries, Ltd. The contents of this manual and the specifications of this product are subject to change without notice.

Brother reserves the right to make changes without notice in the specifications and materials contained herein and shall not be responsible for any damages (including consequential) caused by reliance on the materials presented, including but not limited to typographical and other errors relating to the publication.

Trademarks

Brother is a registered trademark of Brother Industries, Ltd.

The brother logo is a registered trademark of Brother Industries, Ltd.

All other terms, brand names and product names mentioned in this manual are registered trademarks of their respective companies.

1. Important Safety Precautions

Read all instructions and save them for future reference. Follow all warnings and instructions indicated on the product.

- To reduce the risk of electric shock, always disconnect all cables from the wall outlets before servicing, modifying, or installing the equipment. Unplug this product from the wall outlet and refer servicing to an authorized Brother Service Center under the following conditions:
 - a) when the power supply cord is damaged or frayed
 - b) if foreign objects, such as liquid, metal, or paper scraps, have been dropped into the product
 - c) if the product has been exposed to rain or water
 - d) if the product does not operate normally when the operating instructions are followed (Adjust only those controls that are covered by the operating instructions. Improper adjustment of other controls may result in damage and will often require extensive work by a qualified technician to restore the product to normal operation.)
 - e) if the product produces smoke or an unusual odor
 - f) if the product has been dropped or the cabinet has been damaged
 - g) if the product exhibits a distinct change in performance, indicating a need for service
- Use of controls, adjustments, or performance of procedures other than those specified in this manual may result in hazardous invisible radiation exposure.
- This product should be operated using the type of power source specified. If you are not sure of the type of power available, consult your dealer or local power company.
- Do not hang on or lean against this unit. Do not subject the printer to strong impacts.
- Use only enclosed AC adaptor (LG2286001).
- Unplug the AC adaptor before moving the unit. Grab the plug, not the cord, when unplugging the AC adaptor. Never touch the AC adaptor, its cord or the AC cord with wet hands.
- Disconnect the machine from the electrical wall outlet before cleaning. Never use liquid or aerosol cleaners. Only use a damp cloth for cleaning.
- Be sure to turn off the unit after finishing using it. Disconnect the AC cord from the electrical wall outlet and clean it at least once a year. If the unit will not be used for a long period of time, disconnect the AC adaptor from both the unit and the electrical wall outlet.
- Do not modify the AC adaptor cord or the AC cord.
- Do not pull, excessively bend, or place heavy objects on the AC adaptor cord or the AC cord.
- Do not remove any covers or screws other than those specified.
- Do not insert your fingers or hands into the printer while it is printing.
- Important information is indicated by the following symbols.



This symbol indicates notes or additional information.



This symbol indicates precautions that should be observed in order to prevent damage to or malfunction of the machine.



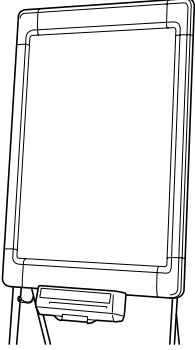
This symbol indicates precautions that should be observed in order to avoid injury or property damage.

2. Setup

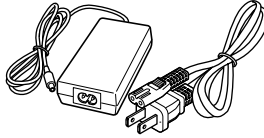
Package contents

Check that the following items are enclosed.

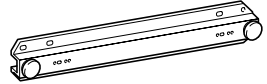
CP2000 copyboard



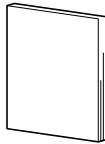
AC adaptor & AC cord



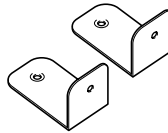
Wall-mounting bar



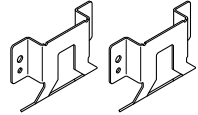
Owner's Manual



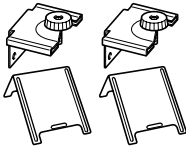
2 L-shaped brackets



2 wall-mounting brackets



2 partition-mounting brackets



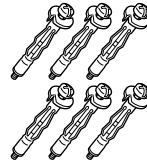
Starter Thermo PLUS paper
(up to 30 pages)



4 screws



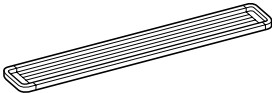
6 anchors



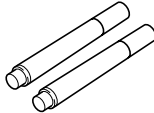
6 washers



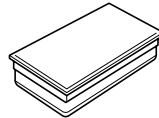
Tray



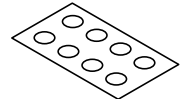
2 Dry Erase markers



Eraser



Seals



When shipping the copyboard or transporting it over a long distance, be sure to use the original packing materials that it was supplied in. Improperly packing the machine may void the warranty.

Be careful not to damage the printer control panel while unpacking it, transporting it, or while removing and installing the printer or stand.

If an item is missing, contact Brother Customer Service at:
1-800-276-7746 (in the **USA**), 1-800-853-6660 (in **Canada**), or
1-514-685-6464 (in **Montreal**)

See section **6. Accessories** on page 27 for item numbers.

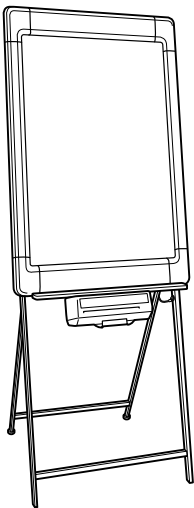
Choosing a location

- Set up the unit on a stable surface or a sturdy wall that is free from vibrations and shocks.
- Do not set up this unit in a high-traffic area or near heaters, air conditioners, refrigerators, liquids, or chemicals.
- Do not set up this unit in a location where it will be exposed to direct sunlight, excessive heat, moisture, or dust.
- Do not set up this unit near speakers, the base units of cordless phones, or other sources of interference.
- Do not allow anything to rest on the power cord. Do not place this product where the cord may be walked on.
- Lightning and power surges can damage this product. We recommend that this unit be used with a surge protection device, or be unplugged during lightning storms.
- If an extension cord is used with this product, make sure that the total ampere rating of all products plugged into the extension cord do not exceed the extension cord ampere rating. The total of all products plugged into the wall outlet must not exceed 15 amperes (USA only).

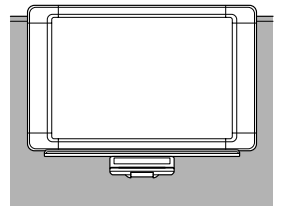
Setup

The versatility and portability of the CP2000 copyboard allows it to be set up in various locations on its stand, or mounted on a partition or a wall.

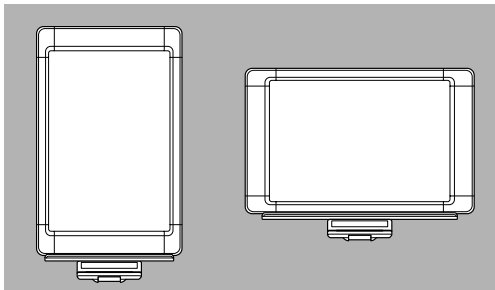
Stand (Refer to pages 4 through 6 for details on setting up the stand.)



Partition mounting
(Refer to pages 13 and 14 for details on mounting the copyboard on a partition.)



Wall mounting (Refer to pages 8 through 13 for details on mounting the copyboard on a wall.)



Stand

Setting up the stand



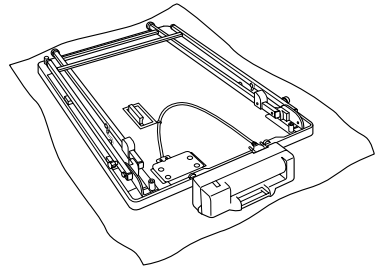
Do not allow young children to play on or near the copyboard when it is set up on its stand.



After removing the copyboard from its box, keep the printer and writing surface covered in the bubble wrap packaging while setting up the copyboard.

1

Lay the copyboard on the floor facing downward with the printer control panel and writing surface positioned over a piece of cloth or other protective sheet to prevent them from being damaged.



Do not exert pressure on the copyboard.



If the printer has been installed on the long edge of the copyboard, refer to step 5 on page 12 for details on installing the printer on the short edge before continuing this procedure.

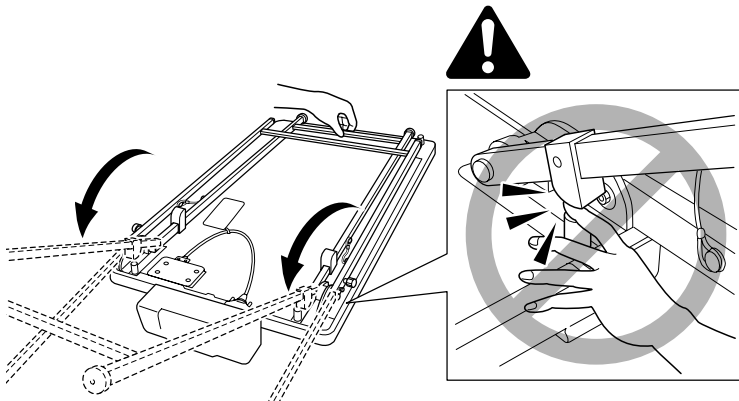
If the stand is not attached, refer to page 15 for details on re-attaching it.

2

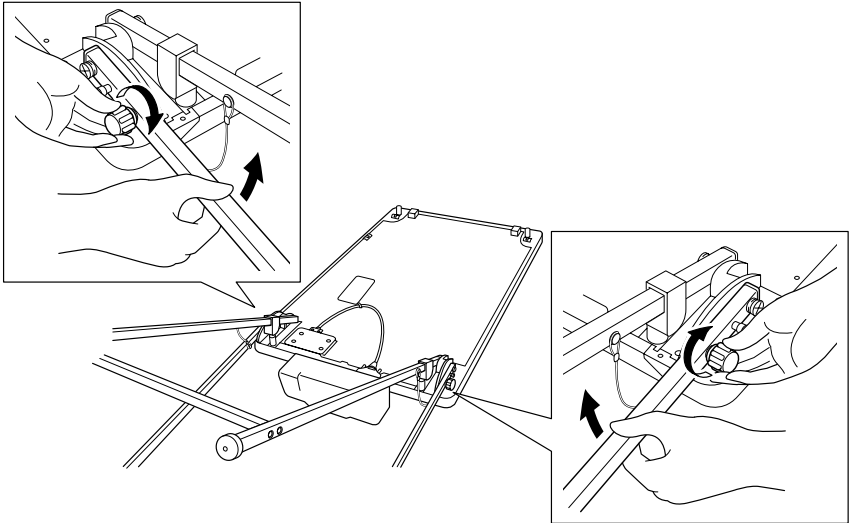
Grab the leg of the stand as shown in the illustration and slowly fold out the stand.



Be careful not to pinch your finger between the plastic projection on each leg of the stand and the stopper.



- 3** Align the screws on the knobs with the holes in the brackets, and then tighten each knob (one on each side).



While tightening each knob, it may be necessary to lift up the lower leg slightly so that the screw on the knob correctly enters the hole in the bracket.

- 4** Carefully lift up the copyboard to set it up on its stand, and then spread the legs completely.

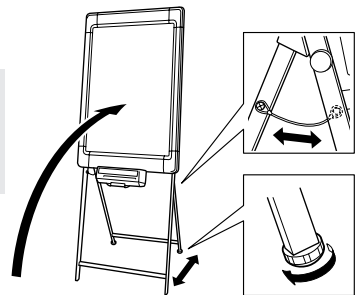


To reduce the risk of the copyboard falling down and causing injuries, do not loosen the knobs on the stand when the stand is in use.

- 5** Turn the adjuster on the end of each back leg until the stand is stable.

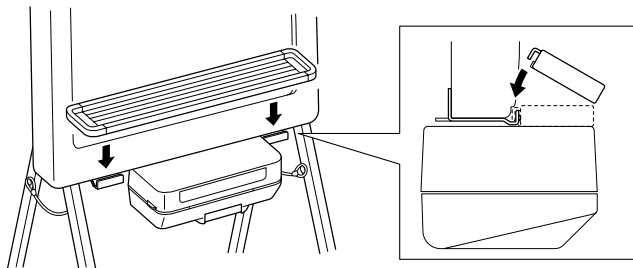


To reduce the risk of the copyboard falling down and causing injuries, be careful that the copyboard does not tip over.



2. Setup

- 6** Attach the tray by sliding its slots on each sides of back of the tray over the two brackets on the front of the copyboard above the printer.



NOTE

Do not subject the tray to strong impacts or use it in any way other than for holding markers and erasers.

Remove the bubble wrap packaging covering the printer and writing surface.

Folding up the stand



Do not allow young children to play on or near the copyboard when it is set up on its stand.

To reduce the risk of the copyboard falling down and causing injuries, do not loosen the knobs on the stand or pull the blue pin on the left leg while the stand is in use.

1

Make sure the copyboard is turned off and the AC adaptor is unplugged.

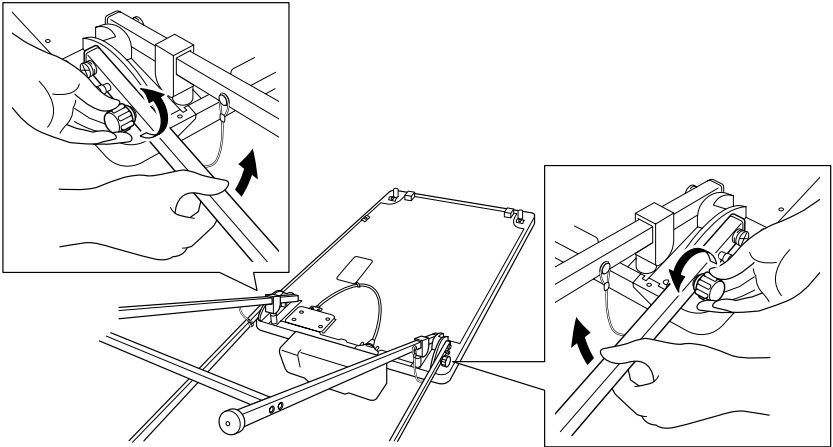
2

Pull up on the tray to remove it, and then remove the paper from the printer.

3

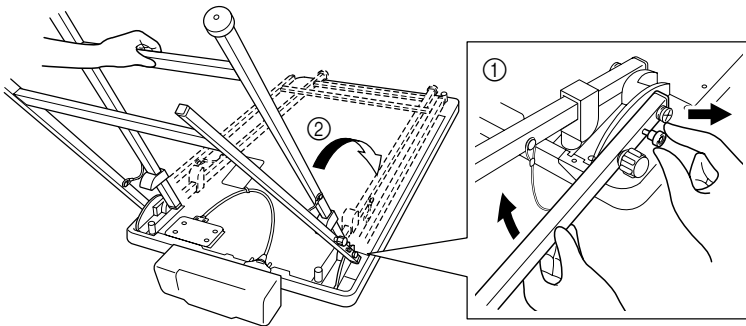
Lay the copyboard on the floor facing downward with the printer control panel and writing surface positioned over a piece of cloth or other protective sheet to prevent them from being damaged.

- 4** Slightly lift up each bottom leg and loosen the knobs (one on each side of the stand).



- 5** Slightly lift up the bottom leg and pull the blue pin on the right side of the stand.

- 6** Grab the topmost bar and carefully fold up the stand so that it rests on the sponges on the back of the copyboard.



The sponges on the back of the copyboard should not be removed since they act as a cushion between the copyboard and the stand.

2. Setup

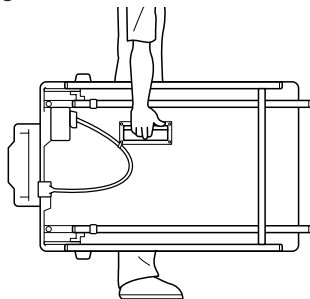
After folding up the stand, the CP2000 can be carried using the handle on the back.



Be sure to use the handle to transport the copyboard. Do not transport the unit by carrying it by its stand, otherwise the stand may open up and the copyboard may fall down.



While transporting the copyboard, be careful not to drop it, scratch it, or hit it against anything.



Wall mounting

With the enclosed wall-mounting bar and brackets, the copyboard can easily be mounted on a wall. In addition, by installing the printer on either a short or long edge of the copyboard, the unit can be positioned either vertically or horizontally.

Attaching the wall-mounting bar

Follow the precautions below to mount the copyboard correctly on the wall and reduce the risk of it falling down.



Use the enclosed anchors to attach the wall-mounting bar to plasterboard that is at least 0.5 in. to 0.63 in. (12.7 mm to 15.9 mm) thick. When mounting the copyboard on other types of walls, consult with a contractor first and be sure to use the appropriate types of screws. Make sure that there is no metal, wood, or wires behind the wall at the points where the anchors will be installed.



Before mounting the copyboard on the wall, set it up on its stand and check that it is operating correctly. During installation, keep in mind that an anchor is difficult to remove once it has been installed in the wall.



Hold the wall-mounting bar against the wall at the position where it will be attached, making sure that it is level, and then mark the wall at the four points where the anchors will be installed.

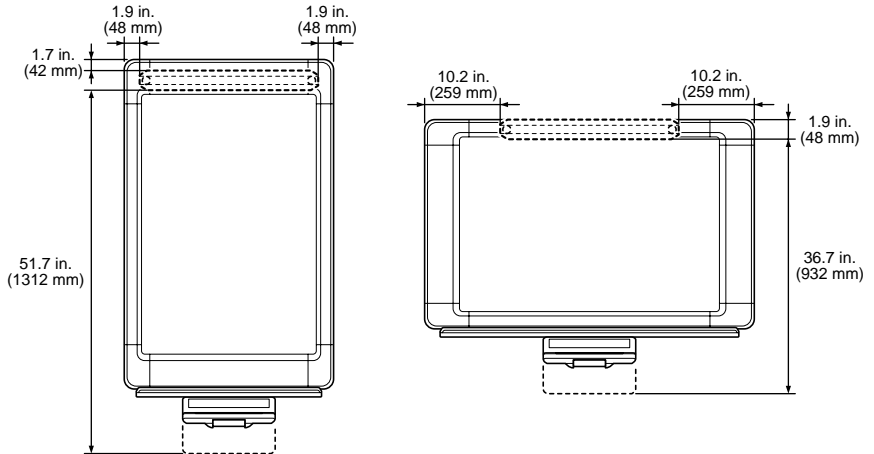


Be sure to attach the bar using either pair of holes A or B together with either pair of holes C or D. It is recommended that holes A and D be used. However, holes B and C can be used if necessary.

Wall-mounting bar

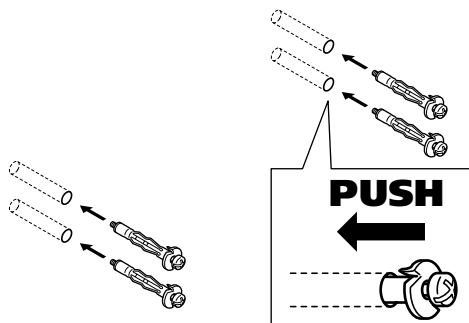


Position of the wall-mounting bar in relation to the copyboard



2 Using a 5/16 in. (8 mm) drill bit, drill a hole at each point marked on the wall.

3 Insert one of the enclosed anchors into each hole, and then push it into the wall until the teeth on the rim firmly grip the wall.

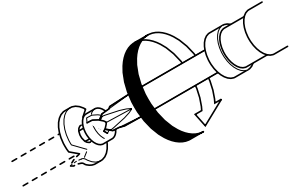


2. Setup

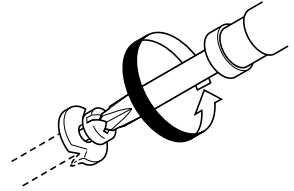
- 4** Tighten each screw (by turning it clockwise) approximately 20 turns.



The screws must be tightened by hand. Do not use an electric screwdriver, otherwise the copyboard may fall down.



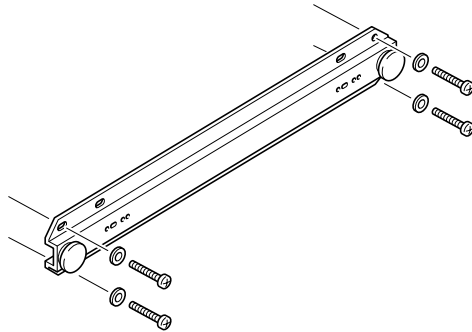
- 5** Remove each screw.



- 6** Attach the wall-mounting bar to the wall by re-installing the screws into the anchors, while making sure to use the enclosed washers.



Make sure that the bar is firmly attached to the wall, otherwise the copyboard may fall down.



Mounting the copyboard

- 1** Lay the copyboard on the floor facing downward with the printer control panel and writing surface positioned over a piece of cloth or other protective sheet to prevent them from being damaged.

- 2** Make sure that the stand is folded up.

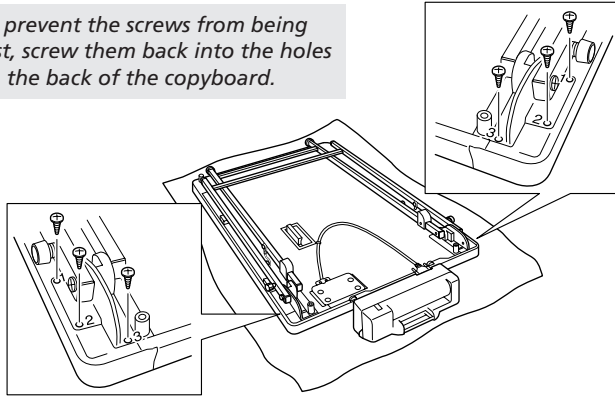


If the stand is still folded out, refer to page 6 for details on folding it up.

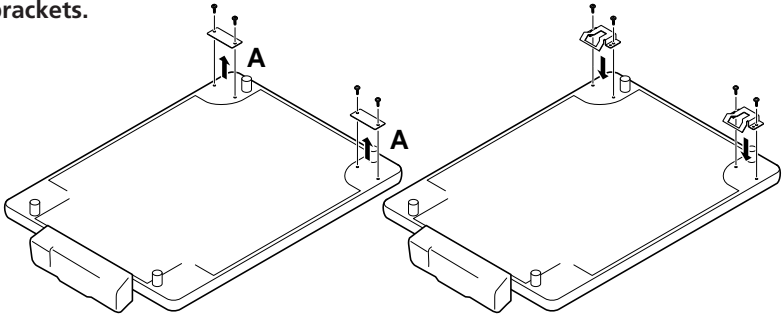
- 3** Remove the stand by removing the six black screws numbered 1, 2 and 3 on each bracket that attaches the stand to the back of the copyboard.



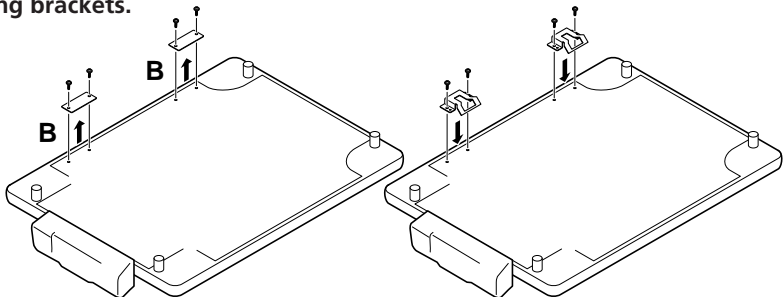
To prevent the screws from being lost, screw them back into the holes on the back of the copyboard.



- 4** When mounting the copyboard vertically: Remove plates A, and then use the same screws and holes to attach the enclosed wall-mounting brackets.



When mounting the copyboard horizontally: Remove plates B, and then use the same screws and hole to attach the enclosed wall-mounting brackets.

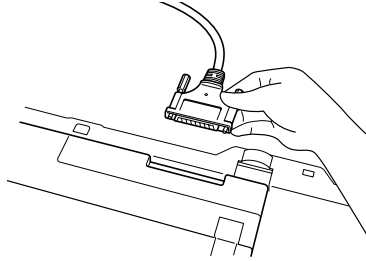


Be sure to keep the removed plates in a safe place so that they can be re-attached later if necessary.

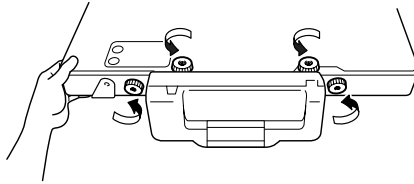
2. Setup

5 To switch between vertical and horizontal mounting, attach the printer to a different edge of the copyboard.

- a. Loosen the screws on the printer cable plug, and then remove the plug.



- b. While holding the copyboard to prevent it from falling, remove the four knobs used to attach the printer.



- c. Place the printer on the other edge of the copyboard (either the bottom or the right side as seen from the back of the copyboard), and then attach the printer by installing the knobs.



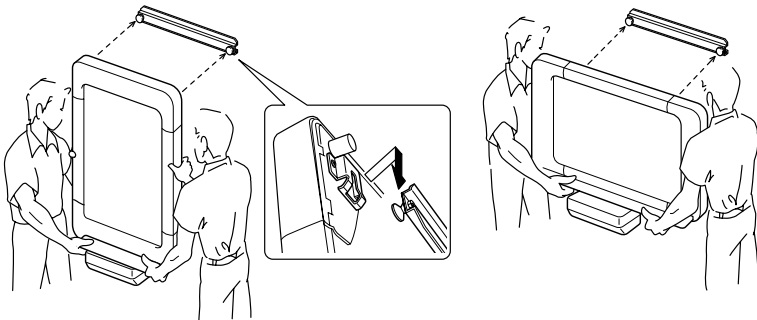
Remove the seals covering the mounting holes that you will use to install the printer, and then affix the removed seals to cover unused mounting holes. Additional seals are enclosed if the original seals become lost or damaged.

- d. Reconnect the printer cable plug and tighten its screws.

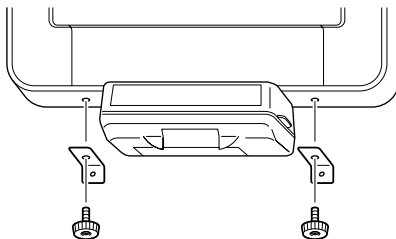
6 While holding both sides of the copyboard, hook the brackets at the back of the copyboard onto the wall-mounting bar pegs.



Do not release the copyboard until you are sure that it is securely mounted on the wall-mounting bar, otherwise the copyboard may fall down.



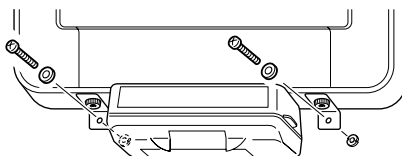
- 7** With the copyboard mounted on the wall, remove the two knobs on the bottom of the unit, and then attach the long ends of the two enclosed L-shaped brackets to the bottom of the unit with the two knobs.



- 8** With the short ends of the L-shaped brackets against the wall, mark the wall at the two points where the anchors will be installed, and then remove the copyboard from the wall-mounting bar.

- 9** Install the two anchors as described in steps **2** through **4** of *Attaching the wall-mounting bar* on page 9.

- 10** Remove the screws from the anchors, hang the copyboard back onto the wall-mounting bar, and then attach the L-shaped brackets to the wall by re-installing the screws, while making sure to use the enclosed washers.

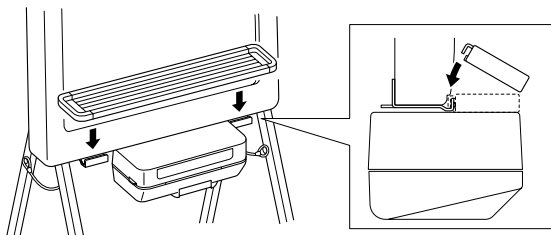


Regularly check that the copyboard is securely mounted to the wall in order to reduce the risk of the copyboard falling down.



When removing the copyboard from the wall, also remove the L-shaped brackets.

- 11** Attach the tray by sliding its slots on each sides of back of the tray over the two brackets on the front of the copyboard above the printer.



If the copyboard is mounted horizontally, the ends of the tray can be pulled out to extend it. Do not subject the tray to strong impacts or use it in any way other than for holding markers and erasers.

Partition mounting

Follow the precautions below to mount the copyboard correctly on the partition and reduce the risk of it falling down.



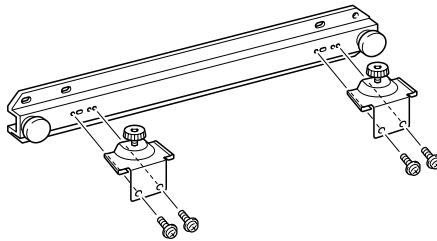
Before attempting to hang your copyboard on a cubicle wall, partition, or the like ("partition"), consult the manufacturer of the partition to verify that the partition is capable of supporting the copyboard without adverse consequences.

The enclosed partition-mounting brackets allow you to hang the copyboard on a standing partition 1.5 in. to 4 in. (38 mm to 102 mm) thick and sturdy enough to withstand a weight of at least 77.3 lbs. (35 kg).

Do not install, adjust, or remove the partition-mounting brackets with the copyboard hanging from the wall-mounting bar. Always remove the copyboard beforehand.

1

Attach the two fixed parts of the partition-mounting brackets to the wall-mounting bar with the four enclosed screws.

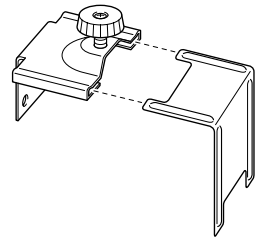


2

Insert the ends of the movable parts of the partition-mounting brackets into the fixed parts.

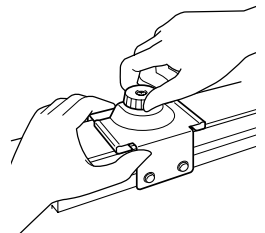


Either end of the movable part of the bracket can be used depending on the width of the partition. Insert the end stamped A if the partition is 1.5 in. to 2.8 in. (38 mm to 71 mm). Insert the end stamped B if the partition is 2.7 in. to 4 in. (69 mm to 102 mm).



3

While holding the partition-mounting brackets clamped the top of the partition, tighten the knobs.



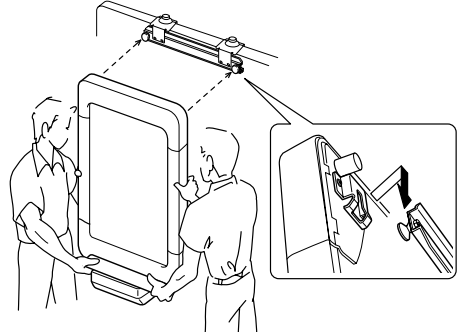
4

Attach the two wall-mounting brackets to the back of the copyboard as described in step **4 of *Mounting the copyboard* on page 11.**

- 5** While holding both sides of the copyboard, hook the brackets at the back of the copyboard onto the wall-mounting bar pegs.



Do not release the copyboard until you are sure that it is securely mounted on the wall-mounting bar. Do not push the unit upward or to either side, otherwise it may fall down.



- 6** Attach the tray by sliding its slots over the two brackets on the front of the copyboard above the printer.



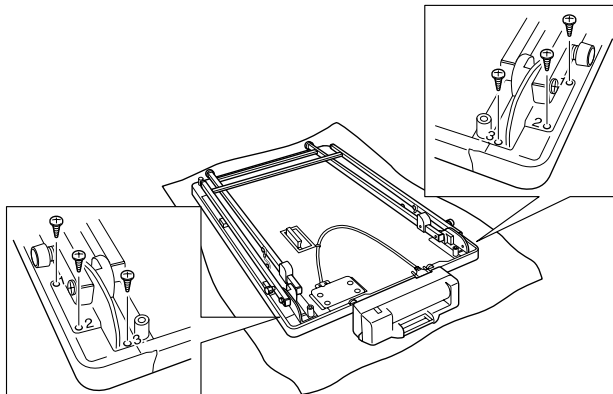
Do not subject the tray to strong impacts or use it in any way other than for holding markers and erasers.

Re-attaching the stand

- 1** Lay the copyboard on the floor facing downward with the printer control panel and writing surface positioned over a piece of cloth or other protective sheet to prevent them from being damaged.
- 2** Use the six screws (three on each side) to attach the stand to the back of the copyboard by tightening the screws in order according to the numbering on each bracket of the stand (1, 2, then 3).

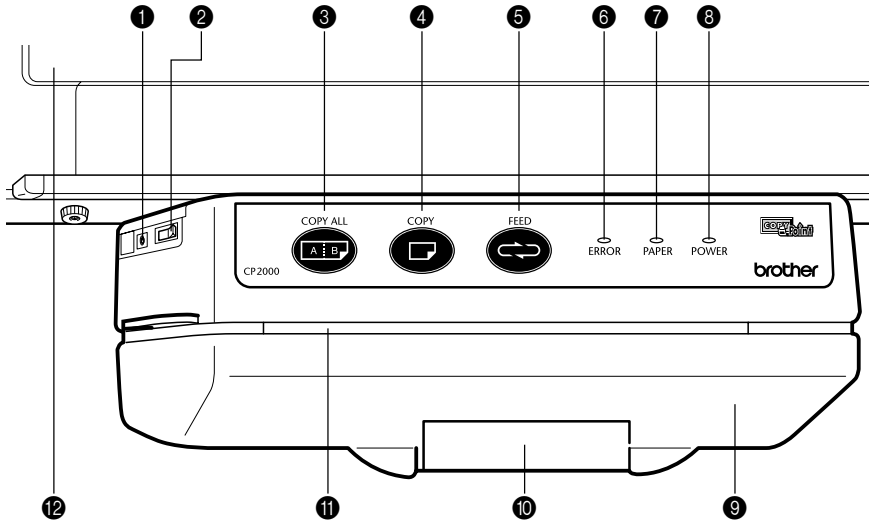


*While the stand is being used, it is recommended that the wall-mounting brackets be removed in order to avoid that they be pulled on with excessive force. After removing the wall-mounting brackets, re-attach the plates. Refer to step **4** of **Mounting the copyboard** on page 11.*



3. Operation

Printer description



- ① DC jack
- ② Power supply switch
- ③ **COPY ALL button:** Press this button to print out both writing surfaces at the same time.
- ④ **COPY button:** Press this button to print out the front writing surface.
- ⑤ **FEED button:** Press this button to scroll the copyboard.
- ⑥ **ERROR indicator:** This indicator lights up when the printer head is overheated.
- ⑦ **PAPER indicator:** This indicator lights up when the paper compartment cover is open or the printer has run out of paper.
- ⑧ **POWER indicator:** This indicator is lit when the printer is turned on.
- ⑨ Paper compartment cover
- ⑩ Paper compartment latch
- ⑪ Paper exit slot
- ⑫ Writing surface



*Do not try to move or turn off the copyboard while it is printing.
Do not allow the seam of the writing surface to become dirty.
Do not hit or scratch the writing surface with sharp or hard objects.*

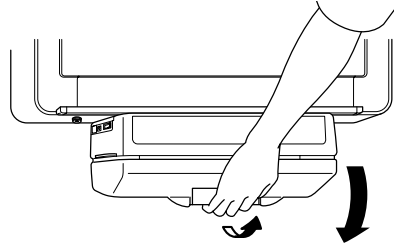
Loading the paper

In order to print out what is written on the copyboard, paper must first be loaded in the printer. The maximum diameter of the paper roll that can be installed in the copyboard is 2.6 in. (66 mm).

- 1 Open the paper compartment by pulling up its latch.



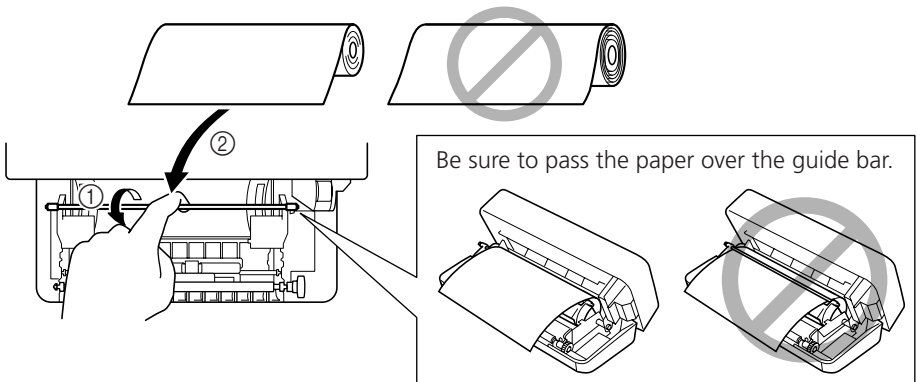
Do not open the paper compartment while the unit is printing.



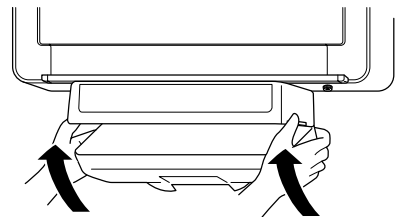
- 2 While gently pressing down on the center of the paper guide bar, insert the roll of paper into the paper compartment.



The paper should unroll from the top and enough paper (about 8 in. (20 cm)) should be pulled out to allow it to be torn off easily. If there is slack in the paper, tighten it by holding the core and pulling on the paper.

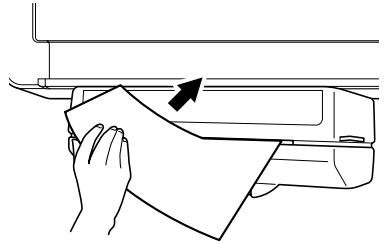


- 3 Release the bar while making sure that the paper feeds over it, and then lift the paper compartment cover with both hands and firmly close it.



3. Operation

- 4** Tear off the excess paper by holding the side of the paper and pulling it upward and across.



Remove the roll of paper before transporting the copyboard, otherwise it may come unrolled in the printer and cause a paper jam.

Power supply

Follow the precautions below to reduce the risk of electric shock or fire.



If the unit will not be used for a long period of time, disconnect the AC adaptor from the wall outlet.

Do not use the AC adaptor outdoors. It can only be used indoors.

Do not allow any objects to come into contact with the AC adaptor or its cords.

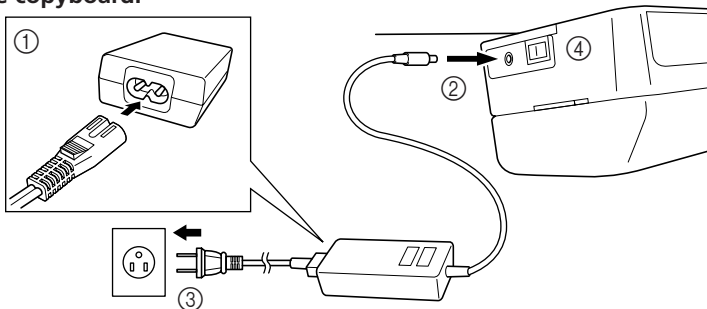
The AC adaptor must not be serviced by the user. If repairs are required, contact the nearest authorized Brother Service Center or the Brother Service Center indicated in the warranty documentation.

If the AC adaptor requires cleaning, use only a dry cloth. Never use water or cleaning fluids, since this is extremely dangerous.


Be careful not to pinch or damage either adaptor cable when folding up the stand or moving the copyboard.

Use only enclosed AC adaptor. Use of other AC adaptor will void the warranty.

- 1** Connect the AC cord to the AC adaptor.
- 2** Connect the AC adaptor cord to the DC jack on the left side of the printer
- 3** Connect the AC cord to an electrical wall outlet.
- 4** Set the power supply switch on the left side of the printer to "I" to turn on the copyboard.



Feeding the copyboard

The copyboard has two writing surface areas. When you wish to use the other writing surface area, press  to scroll the writing surface without printing.



Do not try to erase or touch the writing surface while it is moving.

Do not touch the paper being fed out of the printer until it has finished feeding.

Writing & printing

1

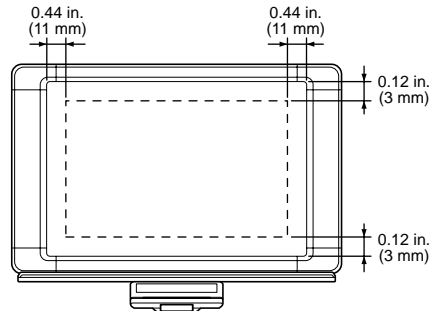
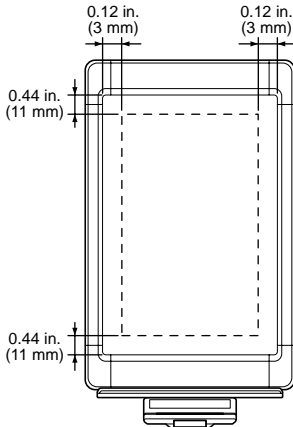
Make sure that the power supply switch on the left side of the printer is set to "I".

2

Write within the scannable area shown in the illustration below.




Only use the enclosed Dry Erase markers or markers of the same type. The use of non-erasable markers will void the warranty. Do not allow the seam of the writing surface to become dirty.



3. Operation

3

Press . The writing surface begins scrolling after 1 to 2 seconds, and then the front writing surface is printed.

OR

Press . The writing surface begins scrolling after 1 to 2 seconds, and then both writing surfaces are printed at the same time.



*Do not try to erase or touch the writing surface while it is moving.
Do not try to scan and print pages affixed to the writing surface.*



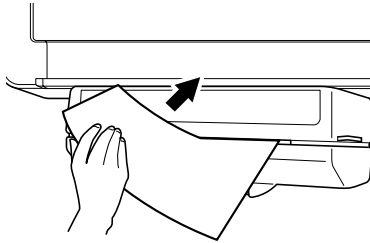
Depending on the type of markers used, some colors may not be printed.

4

Tear off the printout by holding the side of the paper and pulling it upward and across.



Do not touch the paper being fed out of the printer until it has finished printing.



5


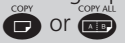
To erase the writing surface, use the enclosed eraser.



Always keep the writing surface clean. However, do not wipe the writing surface with paint thinner, alcohol, benzene, or paper towels.

Troubleshooting

If you can't solve a difficulty with your copyboard using this manual, please see page 25 for Brother numbers to call for assistance.

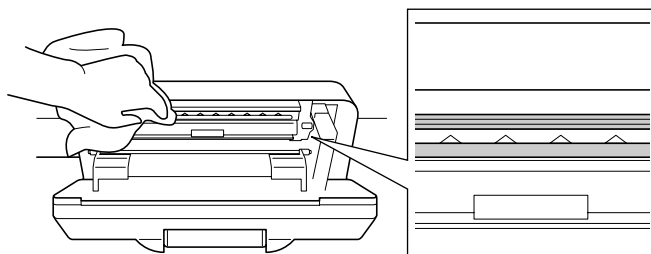
Problem	Solution
The POWER indicator does not light up.	<ul style="list-style-type: none"> • Check that the AC adaptor cord is correctly plugged into the DC jack on the left side of the printer and that the AC cord is correctly plugged into both the AC adaptor and the electrical wall outlet. ⇒ Power supply (page 18) • Check that the power supply switch on the left side of the printer is set to "I".
 is pressed, but the writing surface does not move.	<ul style="list-style-type: none"> • Check that the printer cable plugs are correctly connected.
Nothing is printed out after  is pressed.	<ul style="list-style-type: none"> • Check if the PAPER indicator is lit. If it is lit, replace the roll of paper in the paper compartment. ⇒ Loading the paper (page 17) • Check that the paper compartment cover is closed.
Paper does not feed from the printer.	<ul style="list-style-type: none"> • Open the paper compartment and remove the paper. Then, use scissors to cut off the wrinkled portion of paper from the roll and load the paper again. ⇒ Loading the paper (page 17)
The writing on the writing surface of the copyboard cannot be removed with the eraser.	<ul style="list-style-type: none"> • Check that only the specified Dry Erase markers are used. Carefully wipe the writing surface with a soft cloth dampened with water and a mild detergent. • Use a Dry Erase marker to write over the writing that cannot be erased, and then try erasing the writing with the enclosed eraser.
The writing is not printed out clearly.	<ul style="list-style-type: none"> • Clean off the writing surface. Use a soft damp cloth to wipe off hard-to-remove spots. • Check that the printer cable plugs are correctly connected. • Clean the print head. ⇒ Cleaning the print head (page 22) • Adjust the scanner. ⇒ Adjusting the scanner (page 23)

4. Maintenance



Problem	Solution
The paper that is fed out is curled.	<ul style="list-style-type: none">• Check that the paper feeds over the paper guide bar in the paper compartment. ⇒ Loading the paper (page 17)
The ERROR indicator lights up.	<ul style="list-style-type: none">• The recording head has overheated. Unplug the machine and wait 30 minutes for it to cool.
The printout is either too dark or too light.	<ul style="list-style-type: none">• Adjust the print contrast. ⇒ Adjusting the print contrast (page 24)
Paper does not feed out when printing. The printout is reduced in size.	<ul style="list-style-type: none">• Clean the black bar. ⇒ Cleaning the black bar (page 23)
The printout is completely black.	<ul style="list-style-type: none">• Check that the printer cable plugs are correctly connected.

Cleaning the print head

- 1** Turn off the printer, unplug the AC adaptor, and then position the copyboard so that it is standing up mounted on the stand or the wall.
- 2** Open the paper compartment by pulling up its latch.
- 3** While gently pressing down on the paper guide bar, remove the roll of paper.
- 4** Using a lint-free cloth that is either dry or lightly moistened with isopropyl alcohol, gently wipe the white metal strip (top) and the black plastic strip (bottom) shown in the illustration at the right.

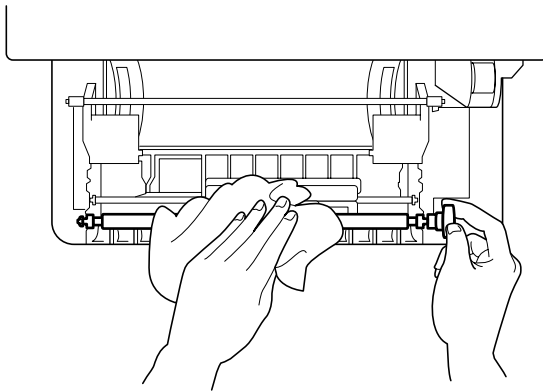


Adjusting the scanner

- 1 With your hand, lightly scroll the writing surface down approx. 11.8 in. (30 cm), and then clean the writing surface well.
- 2 Hold down both  and  until the PAPER indicator begins flashing. The writing surface will scroll to its correct starting position.
- 3 Wait until the PAPER indicator goes off. If a page is printed with the "ERR = XX" message, repeat this procedure from step **1**.
- 4 If the problem persists, clean the scanner as explained in *Cleaning the scanner* on page 24.

Cleaning the black bar

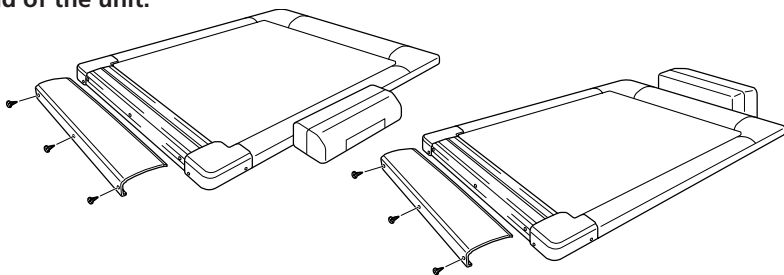
- 1 Turn off the printer, unplug the AC adaptor, and then position the copyboard so that it is standing up mounted on the stand or the wall.
- 2 Open the paper compartment by pulling up its latch.
- 3 Using a lint-free cloth that is either dry or lightly moistened with isopropyl alcohol, gently wipe the black bar while turning the gear at the right.



4. Maintenance

Cleaning the scanner

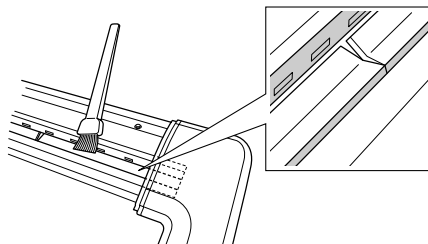
- 1 Turn off the printer, unplug the AC adaptor, and then position the copyboard so that it is either lying on the floor facing up or standing up mounted on the stand or the wall.
- 2 Remove the top panel (remove the left panel when the printer is mounted on the long edge of the copyboard) by removing the three screws on the end of the unit.



- 3 Use a soft-bristle brush to gently clean the areas shaded in the illustration at the right. Also, clean out the areas at both ends of the scanner under the side covers.



Do not exert pressure on the clear plastic.







- 4 Slide the panel back onto the end of the copyboard, and then re-attach it with the three screws.



Never use chemicals to clean the scanner.

Adjusting the print contrast

- 1 Hold down both  and  for three seconds.
- 2 To make the print contrast lighter, press .
To make the print contrast darker, press .
- 3 A page is printed with the current contrast setting.

Service information

Service Center Locations

If your machine requires repairs, call **1-800-284-HELP (4357)** to locate the authorized Service Center nearest you.

Note: Call the Service Center before your visit. Service Centers do not provide operational assistance. (See *Operational Assistance* below.)

Operational Assistance

For technical and operational assistance, call Brother Customer Service at:

1-800-276-7746

Accessories and Supplies

To order Brother accessories or supplies by Visa, MasterCard, Discover, or American Express, call toll-free **1-888-879-3232**, or complete the enclosed order form and fax it to **1-800-947-1445** (available 24 hours).

To order by mail or pay by check, complete the enclosed order form and send it along with payment to:

Brother International Corporation
Attn: Consumer Accessory Division
P.O. Box 341332
Bartlett, TN 38184-1332

Brother on the Internet

For product information, visit us at:

<http://www.brother.com>

For purchasing accessories and other Brother products, visit us at:

<http://www.brothermall.com>

Fax-Back System

Brother Customer Service has installed an easy-to-use fax-back system, which allows you to get instant answers to common technical questions on product information for all Brother products. This system is available 24 hours a day, 7 days a week. You can use the system to receive answers at any fax machine, not just the one from which you are calling.

Call **1-800-521-2846** and follow the voice prompts to receive faxed instructions on how to use the system and an index of fax-back subjects.

5. Specifications

Dimensions:	With stand: 28.5 × 27.0 × 75.9 in. (725 × 687 × 1929 mm) Without stand (vertical): 28.5 × 5.8 × 49.9 in. (725 × 147 × 1268 mm) Without stand (horizontal): 45.2 × 5.8 × 33.3 in. (1147 × 147 × 846 mm)
Weight:	With stand: 32 lb (14.5 kg) Without stand: 26 lb (11.8 kg)
Operating environment:	Temperature: 50 to 95 °F (10 to 35 °C) Humidity: 45% to 80% (no condensation)
Power source:	Supplied AC adaptor: 120 V AC, 50/60 Hz
Power consumption:	Standby: 5 W Copy: 30 W
Copyboard writing surface area:	23.6 × 35.4 in. (600 × 900 mm)
Scanning method:	Contact image sensing
Scannable area:	23.4 × 34.6 in. (594 × 878 mm)
Printing area:	7.0 × 9.6 in. (178 × 243 mm)
Printer type:	Thermal print head
Printing speed:	18 sec./page
Paper roll size:	Width: 8.5 in. (216 mm) Diameter: maximum 2.6 in. (66 mm)

For best quality results, use only genuine Brother accessories, available at most Brother retailers. If you cannot find the accessory you need, you can order accessories directly from Brother using your Visa, MasterCard, Discover, or American Express credit card. (In the U.S., you can visit us on-line for a complete selection of Brother accessories and supplies available for purchase.)

USA: 1-888-879-3232 (voice)
1-800-947-1445 (fax)
<http://www.brothermall.com>

Canada: 1-800-668-2768 (voice)

Description	Item number
Therma PLUS paper (two 98-ft. rolls)	6890
Therma PLUS paper (four 98-ft. rolls)	6840
Copy Point PC Link	PCICP2

BROTHER LIMITED WARRANTY

1 Year Parts, 90 Days Labor, Immediate Conditional Exchange Option

This warranty gives you certain rights and you may also have other rights that may vary from state to state.

This warranty is given only to the end-use purchaser of the accompanying white board product (referred to in this warranty as “this Product”).

What is covered: Brother warrants to you for a period of one year from the date you purchased this Product (the “Warranty Period”) that there are no defects in the materials, workmanship or Year 2000 compliance of this Product. To cure defects in this Product during this year Brother will provide free parts for one year and free labor for 90 days after the date of purchase on the conditions described below. For consumable items supplied with this Product, such as Dry Erase Markers or Eraser, the Warranty Period is 90 days from the date of your purchase, or the rated life of the Consumable item, whichever is shorter.

What is NOT covered: This warranty is VOID — that is, this Product has no warranty — if: (1) you did not purchase this Product from an authorized Brother reseller within the United States, (2) this Product has been serviced, modified or tampered with by anyone other than an Authorized Service Representative of Brother, (3) the serial number has been modified, defaced or removed from this Product, (4) this Product has been abused or damaged, (5) non Brother®-brand or non Brother approved parts, supplies, power supplies or other accessories have been used with this Product, or (6) damage caused by improper hanging or use of non-erasable markers.

What to do if you think your Product is defective: Call our Customer Service Hotline at 1-800-276-7746, or if you suspect a defect in materials or workmanship in this Product, you must report it to a Brother Authorized Service Center during the Warranty Period and supply Brother’s representative with a copy of your dated bill of sale showing that this Product was purchased within the United States. For the name of your Brother Authorized Service Center, call 1-800-521-2846. After contacting the Brother Authorized Service Center, you may be required to deliver or send the Product properly packaged, freight prepaid, to the Authorized Service Center together with a photocopy of your bill of sale.

What Brother will do: Upon receiving your Product, Brother (or its Authorized Service Center) will evaluate your report of a possible defect to determine whether a defect exists; and if it does exist, Brother (or its Authorized Service Center) will repair this Product or (at Brother’s option) replace this Product with a product that performs the same functions and performs as well as the original Product. Brother reserves the right to supply refurbished or remanufactured replacement products or parts provided that the replacement products or parts conform to the manufacturer’s specifications for new products or parts. If your eligibility for 90 days of free labor has expired, you may be required to pay in advance for the labor charges for repairing the Product. Following this procedure, the repaired or replacement product (or if no defect exists, the original Product) will be returned to you at no cost. The returned product will be covered by the balance of the limited warranty period remaining on the original Product, plus an additional thirty (30) days.

Immediate Conditional Exchange Option: You have the option of following a procedure which allows you to receive expedited shipment of a replacement product before this Product is examined by Brother for possible defects. To take advantage of this option, however, you must accept responsibility in advance for charges not covered by this warranty by allowing Brother to charge your credit card. The procedure is as follows:

If you elect this option, Brother will ship to you at Brother's cost by next business day delivery courier service, a refurbished or remanufactured product that conforms to the manufacturer's specifications, performs the same functions and performs as well as the original Product. The refurbished or remanufactured product you receive will be covered by the balance of the limited warranty period remaining on the original Product, plus an additional thirty (30) days. You will keep the replacement product that is sent to you and must return (or be billed up to the cost of a new product) the original Product, which shall become the property of Brother. To qualify for this option, you must call Brother Customer Service and if the representative cannot correct the Product's malfunction over the telephone and you elect the exchange option, you must provide information pertaining to this Product and you must also provide a valid major credit card number. Your credit card will be charged up to the cost of a new Product if: (i) you do not return your original Product to Brother within five (5) business days; (ii) the malfunctions of your original Product are not covered by this limited warranty; (iii) the proper packaging instructions for returning the Product are not followed and result in damage to the Product; or (iv) the warranty period on your original Product has expired or has not been sufficiently validated with a copy of the proof of purchase (bill of sale). The Brother Customer Service Representative will ship the exchange product via next business day delivery courier service, with return instructions and prepaid return airbill. Follow the return instructions. You must return the original Product in the same shipping carton in which the exchanged Product was received and include a copy of proof of purchase (bill of sale). Retain your original accessory items and a copy of the return airbill, signed by the courier.

Limitations: Repair or replacement as described above is your sole and exclusive (that is, your only) remedy if this Product is defective. Brother is not responsible for damage to or loss of any equipment, media, programs or data related to the use of this Product. Except for that repair or replacement, *Brother shall not be liable for any direct, indirect, incidental or consequential damages or specific relief. Because some states do not allow the exclusion or limitation of consequential or incidental damages, the above limitation may not apply to you.*

THIS WARRANTY IS GIVEN IN LIEU OF ALL OTHER WARRANTIES, WRITTEN OR ORAL, WHETHER EXPRESSED BY AFFIRMATION, PROMISE, DESCRIPTION, DRAWING, MODEL OR SAMPLE. **ANY AND ALL WARRANTIES OTHER THAN THIS ONE, WHETHER EXPRESS OR IMPLIED, INCLUDING IMPLIED WARRANTIES OF MERCHANTABILITY AND FITNESS FOR A PARTICULAR PURPOSE, ARE HEREBY DISCLAIMED.**

This Limited Warranty is the only warranty that Brother is giving for this Product. It is the *final expression and the exclusive and only statement* of Brother's obligations to you. It replaces all other agreements and understandings that you may have with Brother or its representatives.

This Limited Warranty (and Brother's obligation to you) may not be changed in any way unless you and Brother sign the same piece of paper in which we (1) refer to this Product and your bill of sale date, (2) describe the change to this warranty and (3) agree to make that change.

Product Support: Toll-free customer service and technical support is available for hardware operational assistance at [1-800-276-7746](tel:1-800-276-7746). At any time, free technical support in the form of Frequently Asked Questions, troubleshooting tips and service center locator is available through our fax back system at [1-800-521-2846](tel:1-800-521-2846) or Brother's Internet Web Site (www.brother.com). We recommend using only genuine Brother Accessories and Supplies. You can visit us on-line at (www.brothermall.com), your complete source for genuine Brother Accessories and Supplies.

Brother International Corporation
100 Somerset Corporate Blvd.
Bridgewater, New Jersey 08807-0911

At the front of this manual, there is a place to record the serial number and the date and location of purchase for your records. Keep this information with your proof of purchase (bill of sale) in case your Product is lost, stolen or requires service.

Important: *We recommend that you keep all original packing materials, in the event that you may need to ship this product.*

© 1999 Brother International Corporation

Brother International Corporation
100 Somerset Corporate Boulevard
P.O. Box 6911
Bridgewater, NJ 08807-0911 USA

Brother International Corporation (Canada), Ltd.
1 rue Hotel de Ville,
Dollard-des-Ormeaux, QC, CANADA H9B 3H6

**Visit us on the World Wide Web at:
<http://www.brother.com>**

This machine is made for use in the USA and Canada only. We cannot recommend using it overseas because the power requirements of your copyboard may not be compatible with the power available in foreign countries. **Using USA or Canadian models overseas is at your own risk and will void the warranty.**