



GETTING STARTED

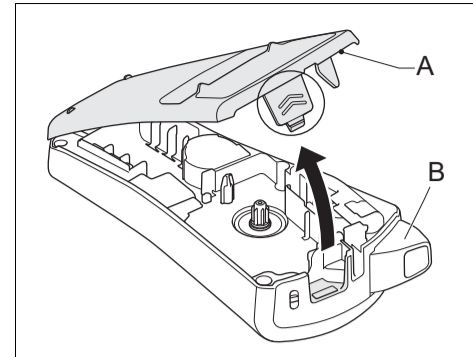
INTRODUCTION

With the PT-1090 you can create labels for any application. Select from the many frames, character sizes and styles to design custom labels. In addition, the variety of tape cartridges allows you to print labels with different widths and colours.

Read this guide carefully before starting and keep the guide in a handy place for future reference.

The contents of this guide and the specifications of this product are subject to change without notice.

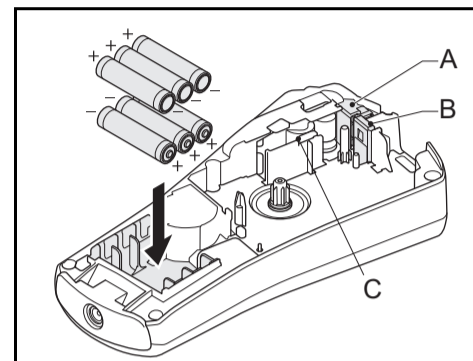
PREPARATION



A: Cassette cover

B: Tape cutter lever

- Open the cassette cover by pressing the above indicated area at the top end of the machine.



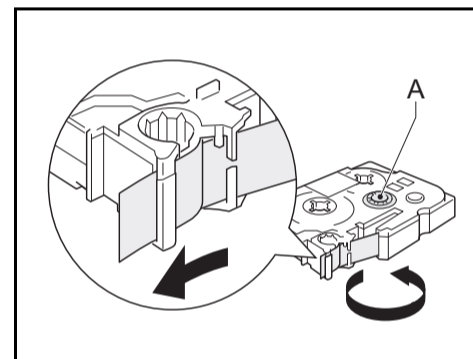
A: Cutter blade

B: Cutter stopper

C: Print head

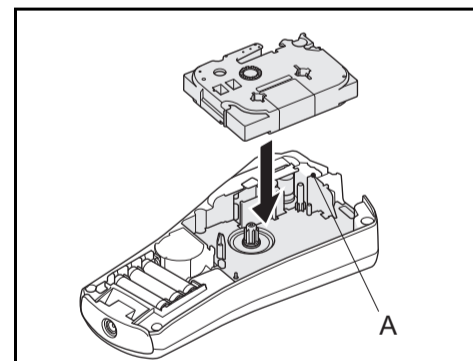
- Insert six AAA alkaline batteries (LR03).
- Make sure the + and – of the batteries are positioned correctly.

Note: Only use new batteries.



A: Toothed wheel

- Make sure that the end of the tape feeds under the tape guide.
- If the ink ribbon in the cassette is loose, use your finger to turn the toothed wheel in the direction of the arrow on the cassette until there is no slack.



A: Tape exit slot

- Insert a tape cassette.
- Make sure that the cassette snaps into place.
- Close the cassette cover.
- After you have installed the tape, feed the tape (see "Feed (tape feed)") once and then push in the tape cutter lever to cut the tape.

Note: Use only Brother TZ tapes with this machine.

RESETTING THE P-TOUCH

Reset the P-touch labeller if you want to initialize the settings or in case the labeller does not work properly.

- Turn off the labeller.
- Hold down **[Function]** and **[R]**.
- While holding **[Function]** and **[R]**, press **[ON]** once to turn ON the labeller.
- Release **[Function]** and **[R]**.

Note: The internal memory is reset, and all text, settings and stored files are cleared.

TROUBLESHOOTING

Error messages	Cause / remedy
BATTERY!	The batteries are about to run out. Replace all batteries.
Invalid!	- An invalid number is selected for Label length.
No Text!	- You tried to print a text file when there is no data stored in the memory. - [Print] is pressed when no text is entered. - You tried to select [Copies], [Preview] or [Cable] when no text is entered.
Line Limit!	- You tried to enter a third line by pressing [Enter] . Note: Use either 9 mm or 12 mm wide tape when printing two lines.
Cutter Error	Tape cutter lever is pressed while the machine is printing. Note: Do not push the cutter lever while printing.
Full!	The maximum number of characters (80 Characters for regular text, or 50 characters for DECO MODE) have already been entered.
Text Limit!	- The text length exceeds the selected Label length. - The text length exceeds 200 mm when "Label Length" is set to [Auto] in DECO MODE. - If the minimum label length 30mm is selected, some frame types (Leaf or Star) will not allow you to enter additional text.
No Frame OK?	Frames can not be printed on 3.5 mm tape. Select [Chain Prt] to print with no frame or [BS] to cancel.
OK to Feed?	Tape feeds after printing when [Chain Prt] is selected. Refer to 'Set margin (tape margin)'.
Cooling	If the print head becomes too hot, the labeller stops printing and automatically starts to cool down. The cool down time will be displayed. Once the print head is cool, printing will continue automatically. Do not touch the labeller while cooling.
Insert 12 mm!	Only 12 mm tape cassette is suitable for DECO MODE.
No Cassette!	Insert a cassette.

Problem	Possible solution
The display stays blank after you have turned on the machine.	- Check the batteries are correctly inserted. - The batteries could be weak, replace them. - Check that the optional "AD-24ES/AD-5000ES" (For Australia, New Zealand Only) is connected correctly.
The power turns off when trying to print	- The batteries are weak, replace all batteries. - Check that the batteries are inserted correctly.
When the label is printed out, there is too much margin on both sides of the text.	See 'Set margin (tape margin)' in this user's guide and select [Half] or [Narrow] to have smaller margins for your label.
The machine has "locked up" (i.e., nothing happens when a key is pressed, even though the machine is on).	Refer to 'RESETTING THE P-TOUCH'.
All text and format settings need to be cleared to create a new label	Press [Clear] and select [Txt&Format].
The machine does not print or printing is blurry.	- Check that the tape cassette is inserted correctly. - If the tape cassette is empty, replace it. - Check that the cassette cover is properly closed.
The settings and texts have cleared on their own.	- The batteries may be weak, replace them. - When power is disconnected for more than two minutes, all texts, settings and any text files stored in the memory will be cleared.
The tape does not feed properly or gets stuck inside the labeller	- Check that the end of the tape feeds under the tape guide. - The cutter lever is pressed while printing. Do not touch the cutter lever during printing.
To change the language setting	Refer to 'INITIAL SETTINGS'.
A blank horizontal line appears through the printed label.	- There may be some dust on the print head. Remove the tape cassette and use a dry cotton swab to gently wipe the print head with an up-and-down motion. - The print head can be cleaned more easily if the optional print head cleaning cassette (TZ-CL3) is used.

ACCESSORIES

If the cutter blade becomes blunt after repetitive use and the tape cannot be cut cleanly, replace with a new cutter unit (stock no.TC-5) obtained from an authorized Brother reseller.

Tape cassettes	See the included tape catalogue.
AC adapter	"AD-24ES/AD-5000ES" (For Australia, New Zealand Only)
Cutter unit	TC-5 (replacement)
Cleaning cassette	TZ-CL3

CAUTION

- Do not touch the cutter blade directly with your fingers.
- Do not swallow the cutter stopper.

SAFETY PRECAUTIONS

WARNING
Follow these guidelines to avoid the risk of fire, burn, injury, electric shock, damage, overheating, abnormal odours or smoking.

- Always use the specified voltage and the suggested AC adapter "AD-24ES/AD-5000ES" (For Australia, New Zealand Only) to prevent any damage or failure.
- Unplug the adapter cord immediately and stop using the P-touch labeller during an electric storm.
- Do not use the P-touch labeller/adapter in places of high humidity such as bathrooms. Do not get the P-touch labeller/adapter/power plug wet such as by handling them with wet hands or spilling beverages onto it.
- Do not overload the adapter cord. Do not forcibly bend or pull the adapter cord. Do not damage or place heavy objects on the adapter cord or plug.
- Hold the plug when disconnecting the adapter cord from the power outlet. Do not use an outlet that is loose.
- Do not swallow the cutter stopper.
- Do not disassemble or modify the P-touch labeller/adapter/batteries. Do not use metallic objects such as tweezers or a pen when changing the batteries. Do not throw the batteries into fire or expose to heat.
- Disconnect the adapter, remove the batteries and stop using the P-touch labeller immediately if you notice abnormal odour, heat, discoloration, deformation or anything unusual while using or storing it.

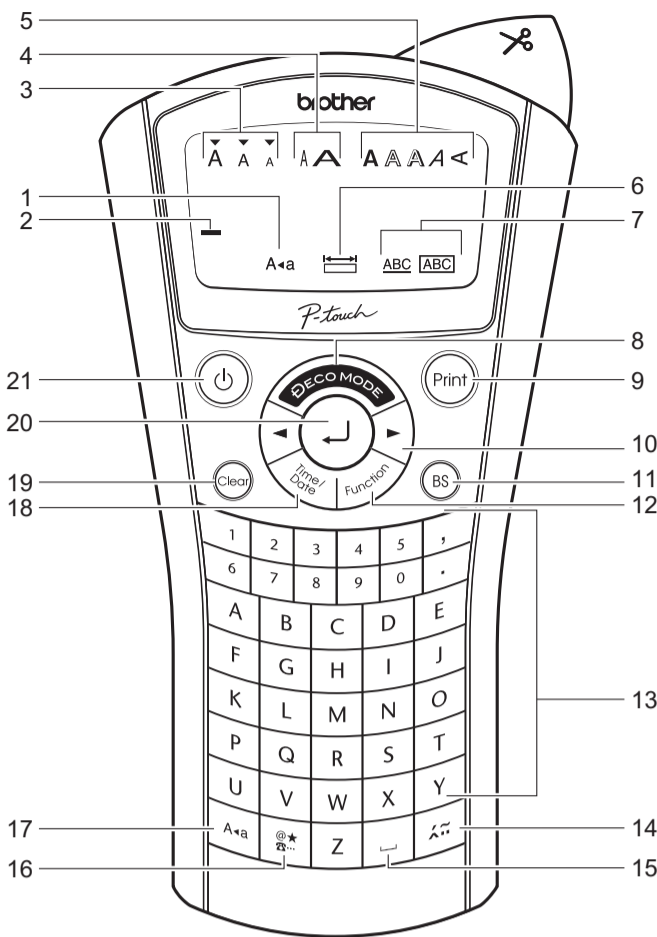
CAUTION
Follow these guidelines to avoid personal injury, battery leakage, burn and heat

- Do not touch the edge of the cutter or any metal part near the print head.
- Remove the batteries and disconnect the adapter if you do not intend to use the P-touch labeller for an extended period of time.
- Do not use old and new batteries together or mix alkaline batteries with other types.
- Do not drop or hit the P-touch labeller/adapter. Do not press hard on the LCD display.
- Do not put your finger between the covers when you close the cassette cover.

GENERAL PRECAUTIONS

- Depending on the location, material, and environmental conditions, the label may unpeel or become irremovable, the colour of the label may change or be transferred to other objects. Before applying the label, check the environmental condition and the material.
- Do not use the labeller in any way or for any purpose not described in this guide. Doing so may result in accidents or damage to the machine.
- Only use a soft, dry cloth to clean the labeller; never use alcohol or other organic solvents.
- Use a cotton swab to clean the print head, never touch the print head.
- Do not put any foreign objects into the tape exit slot or adapter etc.
- Do not place the labeller/batteries/AC adapter in direct sunlight or rain, near heaters or other hot appliances, in any location exposed to extremely high or low temperatures (e.g. on the dashboard or in the back of your car), high humidity, or dusty locations.
- Do not apply excessive pressure to the cutter lever.
- Do not try to print if the cassette is empty as it will damage the print head.
- Do not pull the tape while printing or feeding as it will damage the tape and the labeller.
- Any data stored in memory will be lost due to failure or repair of the labeller, or if the battery expires and no adapter is connected.

PRINTING LABELS

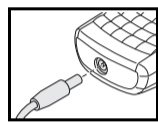


- Display**
1. Caps
 2. Cursor
 3. Size
 4. Width
 5. Style
 6. Label length
 7. Underline / Frame

- Keyboard**
8. DECO MODE
 9. Print
 10. Cursor keys
 11. Back Space/Cancel
 12. Function
 13. Alphanumeric keyboard
 14. Accent
 15. Space
 16. Symbol
 17. Caps
 18. Time/Date
 19. Clear
 20. Enter
 21. Power

Display: 12 characters.
Text buffer: maximum 80 characters.

Adapter (optional)
For memory back up it is recommended to use the batteries together with the optional AC adapter "AD-24ES/AD-5000ES" (For Australia, New Zealand Only).



INITIAL SETTINGS

1. Start your machine

- Supply power by using the batteries or the optional AC adapter and press .

2. Set the language

[Function] → [Language] → [English / Español / Français / Hrvatski / Italiano / Magyar / Nederlands / Norsk / Polski / Português / Română / Slovenski / Slovenský / Suomi / Svenska / Türkçe / Čeština / Dansk / Deutsch]

3. Set the unit of measurement: mm

[Function] → [Unit] → [mm]

4. Set date (DD/MM/YY) and time (hh:mm)

Example: Setting the date and time for 21 November 2009 10:30.

[Function] → [Time Date] → [Clock] → [DD/01/10] Input "21" → [21/MM/10] Input "11" → [21/11/YY] Input "09" → [hh:00] Input "10" → [10:mm] Input "30"

SETTINGS (LABEL DESIGNS)

Size

[Function] → [Size] → [Large/Medium/Small]

In addition to this setting, the text size automatically adjusts to the tape width. The actual printed size varies with tape width.

Width

[Function] → [Width] → [Normal/x 2/x 1/2]

Style

[Function] → [Style] → [Normal/Bold/Outline/Shadow/Italic/]+Bold/!+Outline/!+Shadow/Vertical]

Underline/Frame

[Function] → [Undl/Frame] → [Underline]

Note:

- 8 Frames are available. Refer to table (IV) on the enclosed insertion sheet.
- Frames cannot be printed on 3.5 mm tape.

1 Underline	3 Leaf	5 Star	7 Bubble
2 Round	4 Tile	6 Heart	8 Flower

ENTERING TEXT

Upper/Lower case

Upper/Lower case: Press to switch ON/OFF.

Symbols

- **Basic/Pictograph:** For entering symbols.

[Basic/Pictograph] → [Symbol]

- Refer to the symbol table (Basic: I / Pictograph: II) on the enclosed insertion sheet.
- The rows of symbols (A to L) in the Pictograph table can be selected by pressing the corresponding character.
- To go to the next group, press (again).

- **Print List:** For printing all symbols in the pictograph table.

[Print List] → [Print OK?]

Two line text

- Enter the text for the first line and press .
- Enter the text for the second line and press .

Note: Do not press after the second line of text otherwise "Line Limit!" error message will appear.

Note: Use either 9 mm or 12 mm wide tape when printing two lines of text.

Accented characters

- Type a character and press .
- Choose an accented character with or and press . For a list of available characters, refer to table (III) on the enclosed insertion sheet.

Clear

By pressing , the characters will be deleted one by one.

- To delete current text and settings

[Clear] → [Txt&Format]

- To delete current text only

[Clear] → [Text Only]

PRINTING LABELS

Text preview

[Function] → [Preview]

Note: Only the text can be previewed, not the size, font or any additional features.

Feed (tape feed)

[Function] → [Feed]

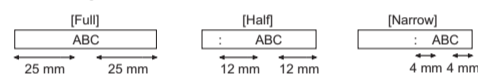
Print

- Press .

Set margin (tape margin)

[Function] → [Margin] → [Full/Half/Narrow/Chain Prt]

- **Full/Half/Narrow:** For leaving equal margins on both sides of the text.



- **Chain print:** For creating labels containing text in various styles and formats.

- When the message "OK to Feed?" appears after the label is printed, press .
- Clear the text, enter the text for the next label, and then press .
- Repeat steps 1 and 2 for each additional label.
- When the message "OK to Feed?" appears after the last label is printed, press .
- After the tape is fed, press the cutter lever to cut off the chain of labels.

[Print] → [Ok to Feed?]

Making Copies

[Function] → [Copies] → [Set 1-9?]

You can print up to 9 copies of the label.

When you want to print the same labels with the narrowest margins, set margin to Narrow.

TIME / DATE

You can add the time and date with one touch on the button. Eight formats are available.

Add Time / Date

[abc_] → [Time/Date] → [abc 21/11/09_]

Select a format

[Function] → [Time Date] → [Format] → [D/M/Y hm]

The following formats are available.

Format	21 November 2009 15:30
D/M/Y	21/11/09
D/M/Y hm	21/11/09 15:30
D.M.Y	21.11.09
D.M.Y hm	21.11.09 15:30
Y-M-D	09-11-21
Y-M-D hm	09-11-21 15:30
M/D/Y	11/21/09
M/D/Y hm	11/21/09 15:30

Changing the clock setting

- Refer to INITIAL SETTINGS, step 4.

DECO MODE

This function allows you to create unique labels by using built-in templates. For a list of available designs, refer to table (V) on the enclosed insertion sheet.

Example: (design/format 10)

[DECO MODE] → [Design 10] → [Auto/30 mm-200 mm] → BROTHERR → [Print/Quit]

- Some designs contain a check mark next to them in the table. If selected, your machine may automatically stop printing if the print head becomes too hot, allowing it to cool down. The cooling time will be displayed. Once the print head is cool, printing will continue automatically.
- Depending on the format you have selected, the entire contents of your text may not be printed.
- The template formats cannot be changed.
- The highlighted symbols on the enclosed insertion sheet are available in DECO MODE.
- To clear all text, press . "Clear?" appears. Press to clear or to cancel.
- When you access DECO MODE, the most recently printed text and label length will be recalled.
- Press to return to the previous step.
- Press to change the "Label Length" setting back to [Auto].
- To exit DECO MODE, press until the display shows the text entry screen. Alternative: select [Quit] in the [Print]/[Quit] selection screen.

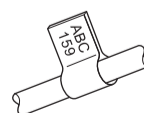
Note: Printing DECO MODE designs is only available when using 12 mm wide tape cassettes.

The maximum label length in DECO MODE is 200 mm. When [Auto] is selected, the machine will automatically adjust the length so that the text appears on the label one time.

CABLE LABELLING

To create labels like the one shown below, follow these steps: Input up to 2 lines of text.

[Function] → [Cable] → [Print OK?]



Print the label with the Cable function, and wrap around cable. Always use Brother Flexible ID tape when wrapping. Refer to the manual enclosed with Flexible ID tape about the recommended conditions for use. Label length and margin settings will automatically default to [Auto] when Cable Labelling.

SAVING LABELS

Up to nine labels can be saved and recalled for printing at a later date. It is also possible to edit and overwrite a stored label.

Save

[Function] → [File] → [Save] → [1-9]

Print

[Function] → [File] → [Print] → [1-9]

Open

[Function] → [File] → [Open] → [1-9]

Note: A message "Overwrite?" will appear if you try to store a label when there is already a label stored with that number.

SHORTCUTS

In addition to the basic steps to search for a function, the labeller also provides the user with function shortcuts - making it easy to jump to a frequently used function.

- Press and then the shortcut key.
- Press to confirm.

Shortcut keys and functions

Key	Function	Key	Function
	Language	6	File
1	Size	7	Cable
2	Width	8	Preview
3	Style	9	Feed
4	Undl/Frame	0	Unit
5	Label Length	[Time/Date]	Time/Date
	Copies	,	Margin

Contact Information

See the website www.brother.com/