



Brother Laser Printer **PARTS REFERENCE LIST**

MODEL: HL-1660

Read this list thoroughly before maintenance work.

Keep this list in a convenient place for quick and easy reference at all times.

NOTE FOR USING THIS PARTS REFERENCE LIST

1. In the case of ordering parts, it needs mentioning the following items:

- (1) Code
- (2) Q'ty
- (3) Description
- (4) Symbol (PCB No., Revision , and Parts location mounted on the PCB.)

Note : No orders without Parts Code or Tool No. can be accepted.

< Example >

REF.NO.	(1) CODE	(2) Q'TY	(3) DESCRIPTION	(4) SYMBOL	REMARK

Revision No.: marked on the printed circuit board.

B48K056 - 201A



2. Design-changed parts :

If the parts are changed, any one of the following symbols is indicated in the REMARKS column.

- #A : compatible between old and new
- #B : replaceable from old to new
- #D : incompatible
- # : newly established

3. The original of this list was made based on the information available in November, 1997.

4. Parts are subject to change in design without prior notice.

CONTENTS

1.	POWER CORDS & HARNESES	1
2.	PAPER FEEDER PCB	1
3.	CONTROL PANEL	3
4.	PCB ATTACHMENTS	3
5.	MAIN PCB.....	5
6.	HIGH-VOLTAGE POWER SUPPLY.....	7
7.	LOW-VOLTAGE POWER SUPPLY	7
8.	COVERS	9
9.	CHASSIS.....	9
10.	TRANSFER.....	11
11.	PAPER TRAY.....	11
12.	PAPER FEEDER.....	13
13.	SCANNER.....	15
14.	FIXING UNIT, 120V/230V	15
15.	DOCUMENTS	17
16.	PACKING MATERIALS.....	19
17.	OPTIONAL PARTS SET	19
18.	ADJUSTING TOOL KIT.....	21

1. POWER CORDS & HARNESSSES

PR98046

REF.NO.	CODE	Q'TY	DESCRIPTION	REMARK
1A	UH1052001	1	AC CORD, VDE	CHG
1B	UH1053001	1	AC CORD, SEV	
1C	UH1055001	1	AC CORD, SAA	
1D	UH1054001	1	AC CORD, BS	
1E	UH1051001	1	AC CORD, UL/CSA	
1F	U34320001	1	AC CORD #4, BS WO/PLUG	
1G	UK4094001	1	AC CORD #5, DEMKO	
1H	U34322001	1	AC CORD #6, ISRAEL	
1I	U34342001	1	AC CORD #8, BS/SINGAPORE	
2	UK2502001	1	HV HARNESS 16P	
3	UK2505000	1	FEED FLAT CABLE 20P	
4	UK2506001	1	LV HARNESS 8P	
5	UK2507001	1	FUSER HARNESS 4P	
6	UK2508001	1	DC MOTOR HARNESS 4P	

MODEL HL-1660/TMT-17 54T-U02-050/070

T/I NO. PR98046

2. PAPER FEEDER PCB

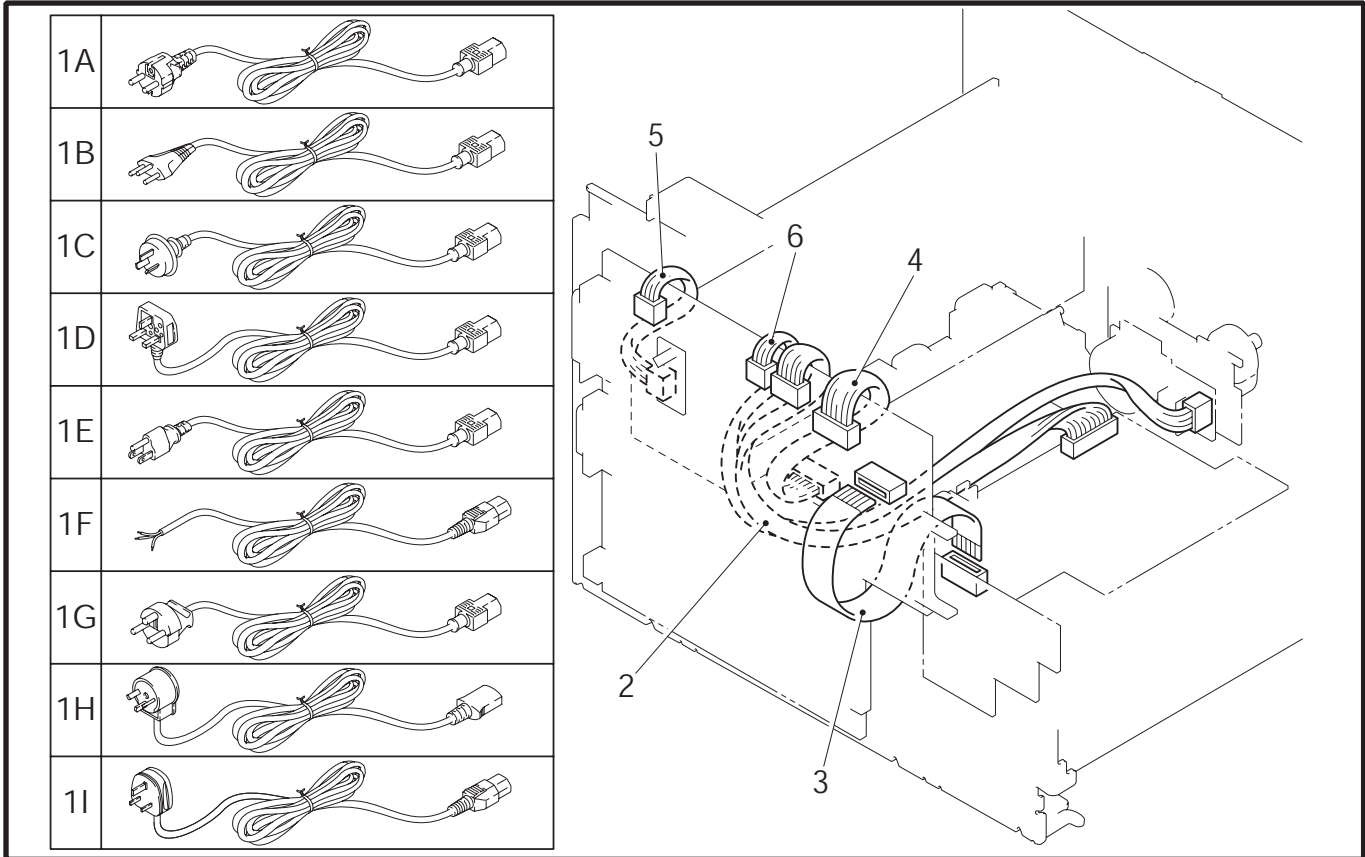
PR99123

REF.NO.	CODE	Q'TY	DESCRIPTION	SYMBOL	REMARK
1	UK2701001	1	P FEED/SIZI-SW PCB ASSY (SP)	B48K139/140- 200C/200C	CHG REV.
2	UH2410000	1	SIZE SWITCH SPRING		
3	087320616	2	TAPTITE, CUP S M3X6		

MODEL HL-1660/TMT-17 54T-U02-090

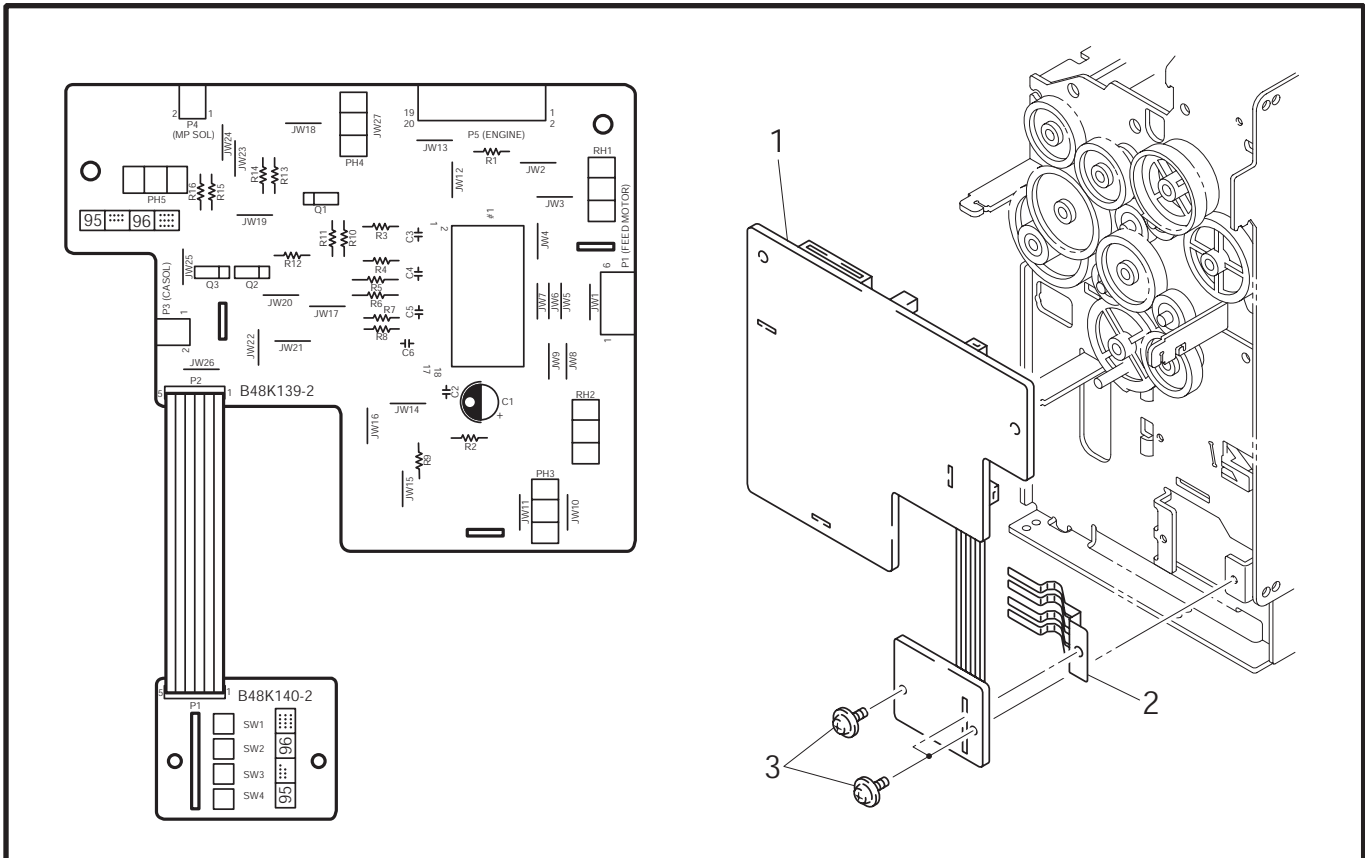
T/I NO. PR99123

1 . POWER CORDS & HARNESSES



MODEL HL-1660/TMT-17 54T-U02-050/070

2 . PAPER FEEDER PCB



MODEL HL-1660/TMT-17 54T-U02-090

3. CONTROL PANEL

PR98309

REF.NO.	CODE	Q'TY	DESCRIPTION	SYMBOL	REMARK
1-1	UK3024001	1	CONTROL PANEL UNIT (SP)	(B48K143-200B)	
1	UK2500000	1	SWITCH FLAT CABLE 21P		
2	UH2021002	1	PANEL SHEET, HL-1660		
2	UH2019001	1	PANEL SHEET, TMT-17		

MODEL HL-1660/TMT-17 54T-U02-150

TI NO. 96-P074

4. PCB ATTACHMENTS

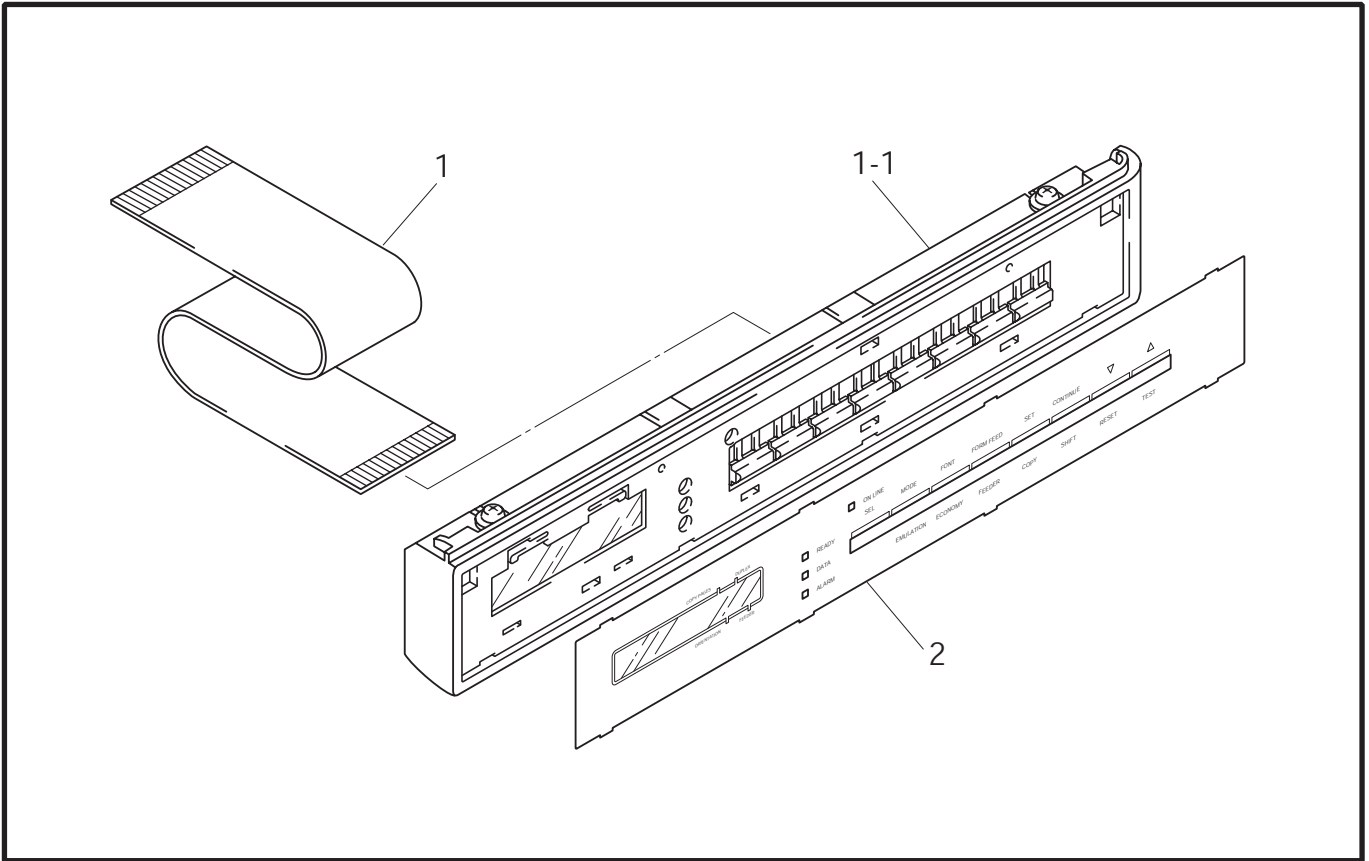
REF.NO.	CODE	Q'TY	DESCRIPTION	REMARK
1	UH2121001	1	REMOTE SWITCH	
2	UH2122000	1	PS SWITCH WIRE	
3	UH2124001	1	DC FAN MOTOR	
4	083313515	2	TAPTITE, PAN B M3X35	
5	UH2144001	1	HOLDER SPACER	
6	UK2826001	1	CORE:RI-12-15-8.5	
7	UK3213000	1	CORE:FPC-16-12	
8	UK3214000	1	CORE:ZCAT1518	
9	UK3215000	1	CABLE CLAMP	
10	UH2123001	1	SWITCH ATTACHMENT	CHG

MODEL HL-1660/TMT-17 54T-U02-450

T/I NO. PR98309

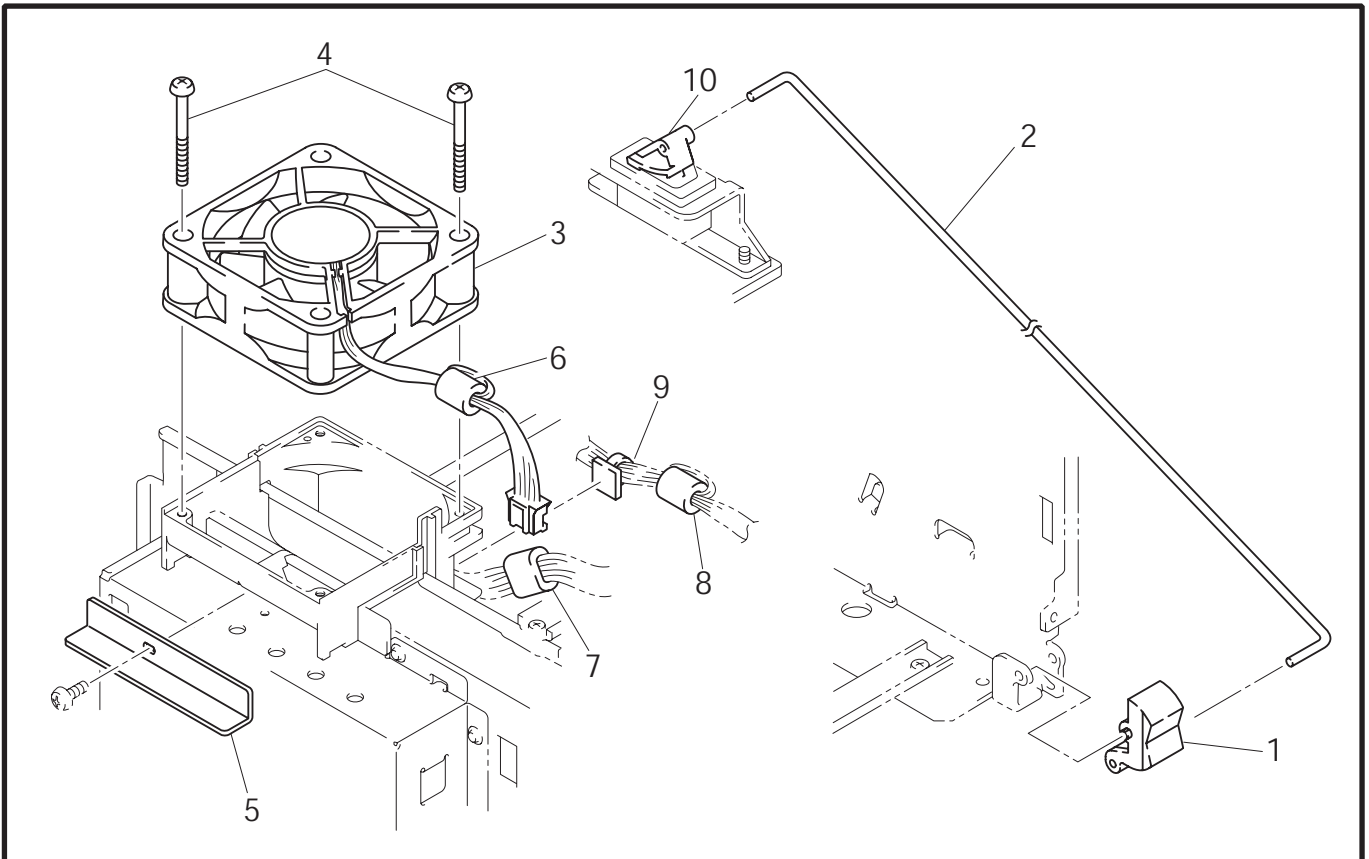
3 . CONTROL PANEL

PR98309



MODEL HL-1660/TMT-17 54T-U02-150

4 . PCB ATTACHMENTS



MODEL HL-1660/TMT-17 54T-U02-450

5. MAIN PCB

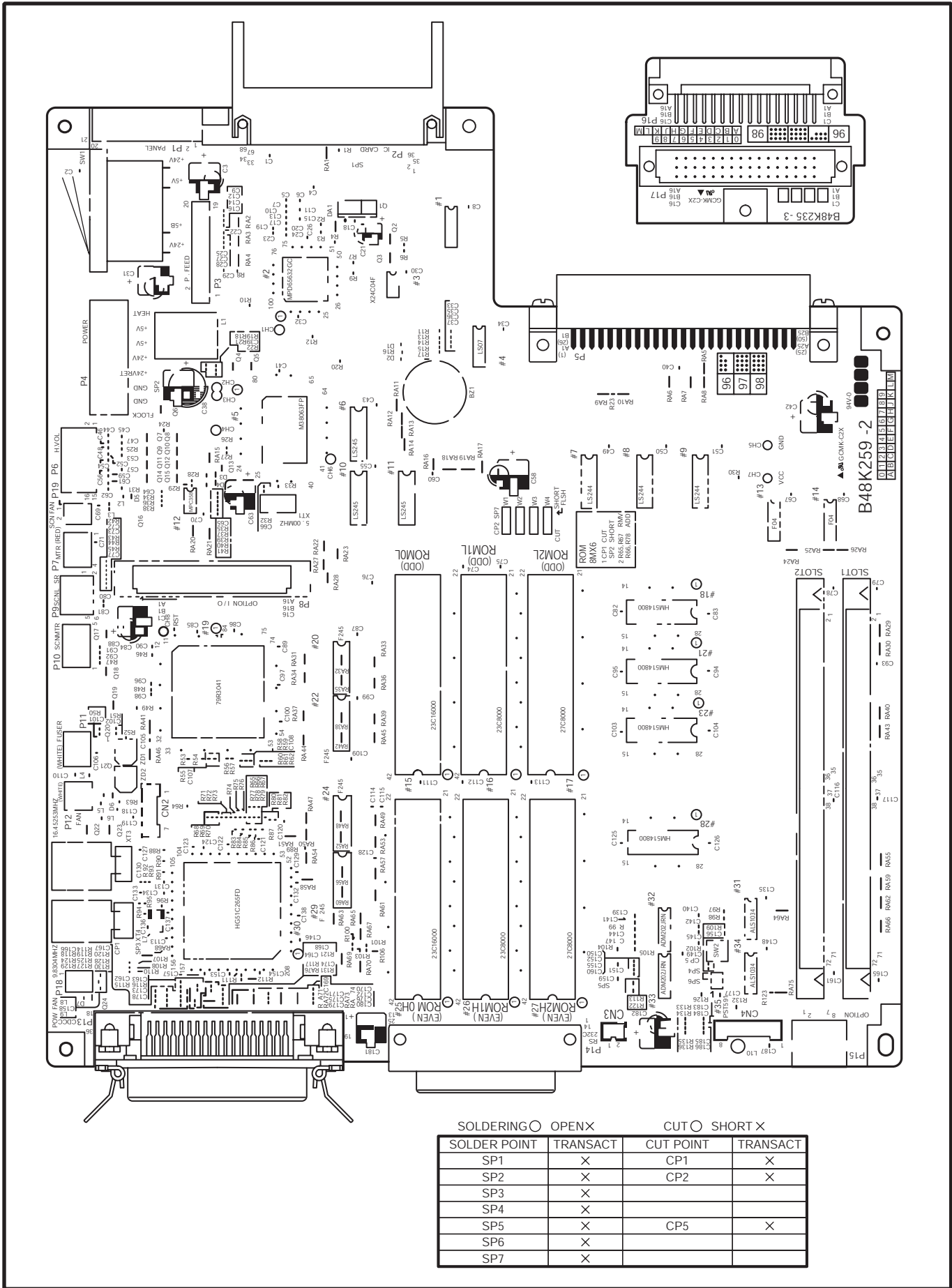
PR97114

REF.NO.	CODE	Q'TY	DESCRIPTION	SYMBOL	REMARK
1-4	UK3298001	1	MAIN PCB ASSY (SP), HL1660/TMT-17(SP)(OTHER)	B48K259-202A	
1-6	UK3524001	1	MAIN PCB ASSY (SP), HEB HL1660 (SP)(ISRAEL)	B48K259-203A	
1	UK3668000	1	MASK ROM:23C16000-01	#25	
2	UK3669000	1	MASK ROM:23C16000-02	#15	
3	UK2718000	1	MASK ROM:23C8000-01	#26	
4	UK2719000	1	MASK ROM:23C8000-02	#16	
5	UK2945001	1	PROM ASSY HEB1	#27	
6	UK2947001	1	PROM ASSY HEB2	#17	
7	UK3169001	1	MIO CONNECTOR PCB ASSY	B48K235-300B	
8	UK3575001	1	SIMM 2M		
8	UK3738001	1	SIMM 4M	ADD	
9	087320616	7	TAPTITE, CUP S M3X6		
10	087320616	1	TAPTITE, CUP S M3X6		
11	UK2466000	1	EPROM:27C8000DZ(BLANK EPROM)(SP) (#)		

MODEL HL-1660/TMT-17 54T-U02-103/104

TI NO. 96-P055 / 96-P068 / 96-P078 / 07-P022 / PR97114

5 .MAIN PCB



SOLDERING ○ OPEN X CUT ○ SHORT X

SOLDER POINT	TRANSACT	CUT POINT	TRANSACT
SP1	X	CP1	X
SP2	X	CP2	X
SP3	X		
SP4	X		
SP5	X	CP5	X
SP6	X		
SP7	X		

6. HIGH-VOLTAGE POWER SUPPLY

PR2001117

REF.NO.	CODE	Q'TY	DESCRIPTION	SYMBOL	REMARK
1	UK2702001	1	HIGH-VOLTAGE PS PCB ASSY (SP)	B48K186-300F	CHNG VER.#
2	087320616	2	TAPTITE, CUP S M3X6		

MODEL HL-1660/TMT-17 54T-U02-200

T/I NO. PR99058

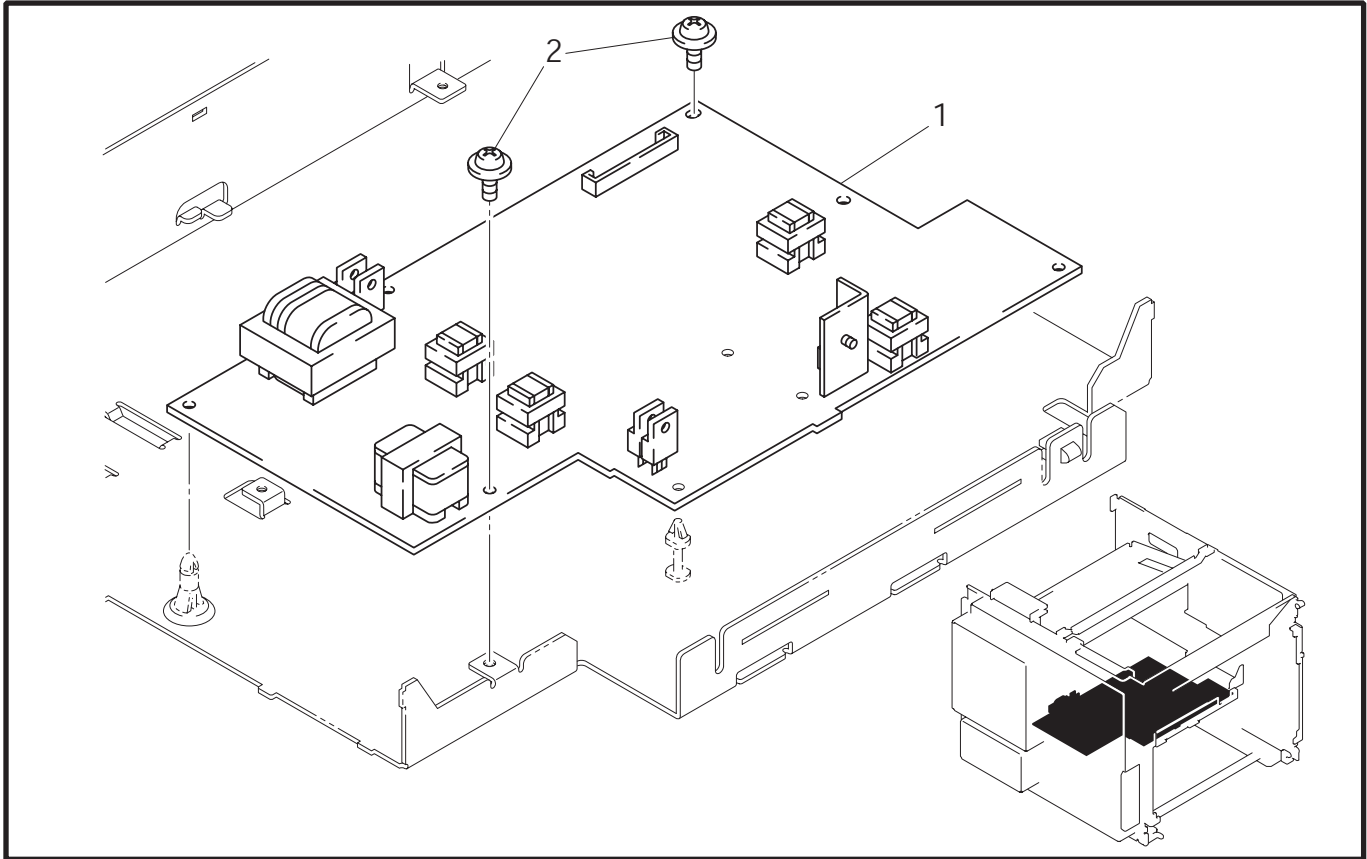
7. LOW-VOLTAGE POWER SUPPLY

REF.NO.	CODE	Q'TY	DESCRIPTION	SYMBOL	REMARK
1-2	UK4150001	1	LV PS PCB ASSY 115V HL-1660		CHNG
1-2	LJ8458001	1	LV PS PCB ASSY LSEP1056, 230V		CHNG
1	UK2756001	1	GLASS FUSE, 10A-125VM (PS PCB 115VM) (S	F1	
1	UK2759001	1	GLASS FUSE, 6A-250VM (PS PCB 230VM) (S	F1	
2	UK2757001	1	GLASS FUSE, 5A-125VM (PS PCB 115VM) (S	F2	
2	UK2760001	1	GLASS FUSE, 3A-250VM (PS PCB 230VM) (S	F2	
3	UH2036001	6	TAPTITE, PAN S M3X8		

MODEL HL-1660/TMT-17 54T-U02-300

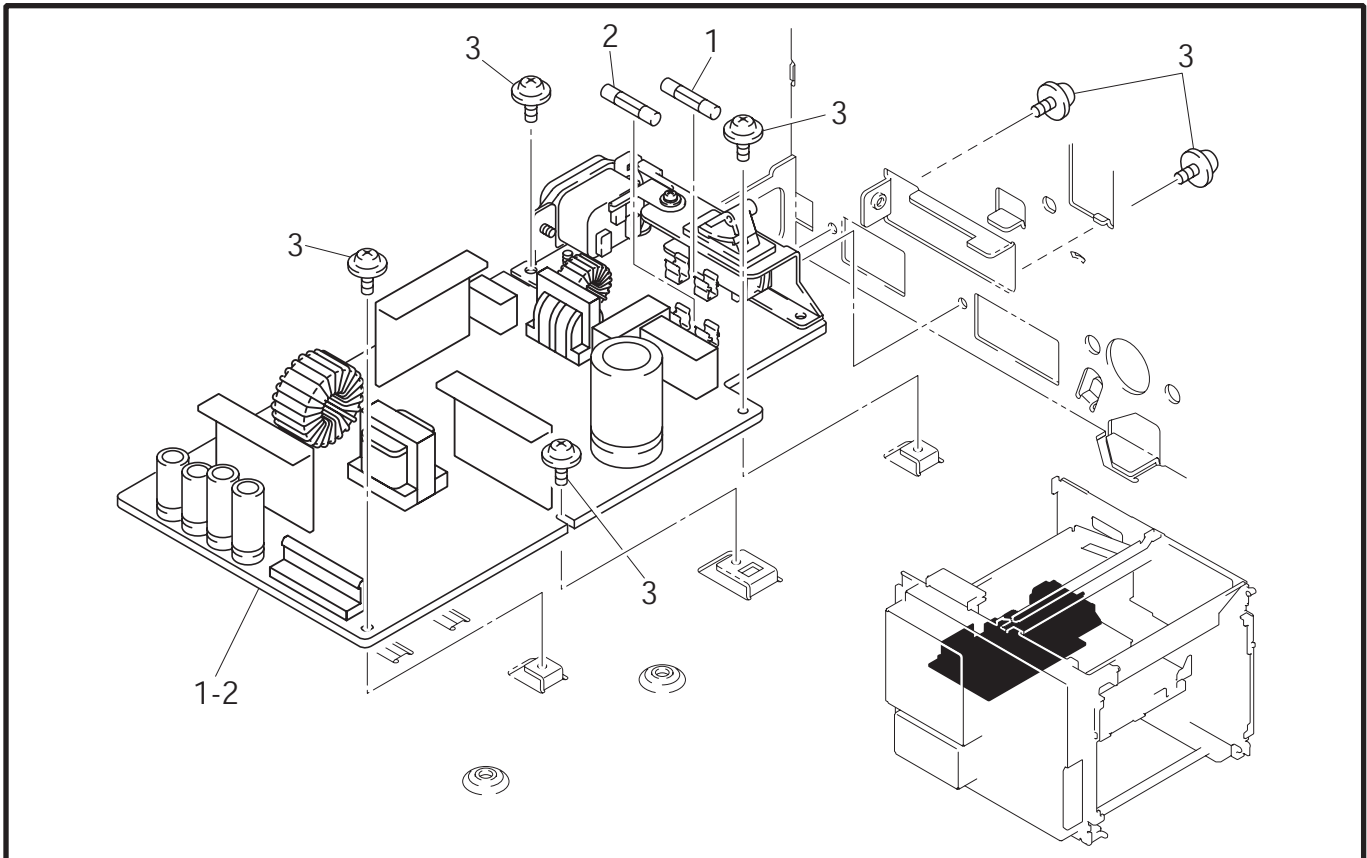
T/I NO. PR98205 / PR2001117

6 . HIGH-VOLTAGE POWER SUPPLY



MODEL HL-1660/TMT-17 54T-U02-200

7 . LOW-VOLTAGE POWER SUPPLY



MODEL HL-1660/TMT-17 54T-U02-300

8. COVERS

PR2001050

REF.NO.	CODE	Q'TY	DESCRIPTION	REMARK
1	UH2065001	1	UPPER COVER ASSY, GRAY1227	
2	UH2071001	1	TONER CARTRIDGE LID, GRAY1227	
3	UH2072001	1	FONT COVER ASSY, GRAY1227	
4	UH2076001	1	CLEANER BRUSH	
5	UH2077001	1	SIDE COVER L, GRAY1227	
6	UH2027001	1	SIDE COVER R2 ASSY, GRAY1227	
7-8	UH2082001	1	REAR COVER ASSY, GRAY1227(HL-1660)	
7-8	UH2104001	1	REAR COVER ASSY, GRAY1227(TMT-17)	
7	UH2085001	1	CHANGEOVER GUIDE, GRAY1227	
8	UH2103001	1	JAM REMOVE COVER, GRAY1227	
9	087320616	2	TAPTITE, CUP S M3X6	
10	087320616	1	TAPTITE, CUP S M3X6	
11	087320616	1	TAPTITE, CUP S M3X6	
12	087321016	2	TAPTITE, CUP S M3X10	

MODEL HL-1660/TMT-17 54T-U01-400

T/I NO. PR98175 / PR99088

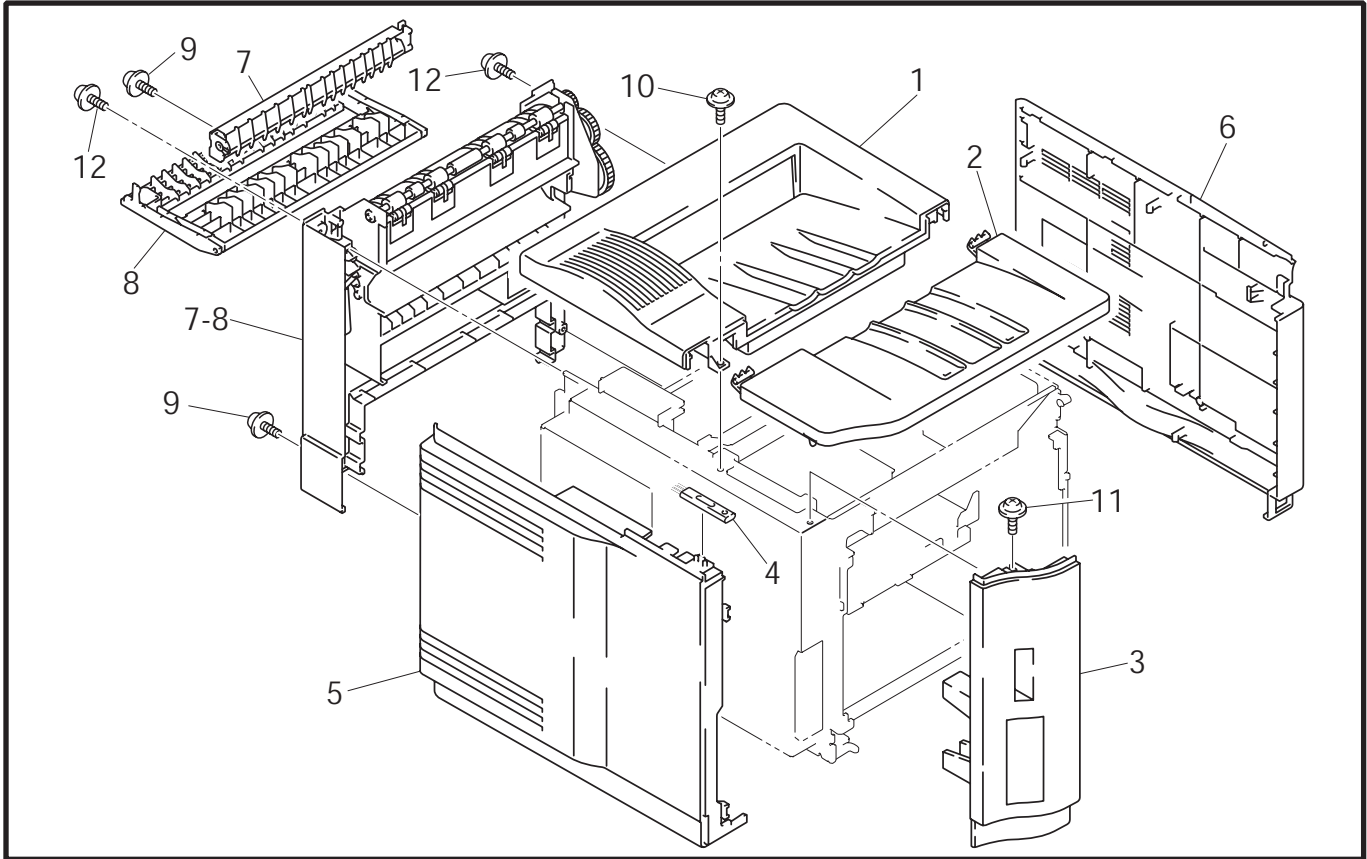
9. CHASSIS

REF.NO.	CODE	Q'TY	DESCRIPTION	REMARK
1	UH2229001	1	CARTRIDGE STOPPER ASSY	
2	UH2233001	1	DC GEAR HOLDER ASSY	
3	UH2814001	1	DC MOTOR ASSY 2 (SP)	
4	087320616	3	TAPTITE, CUP S M3X6	
5	UH2238000	1	GEAR 39	
6	UH2239000	1	GEAR 20/50	
7	UH2240000	1	GEAR 24/72	
8	UH2241000	1	GEAR 22/55	
9	UH2242000	1	GEAR 48	
10	UH2243000	1	GEAR 21	
11	UH2244000	1	GEAR 28	
12	UH2245001	1	GEAR 48 SPRING	
13	026100136	1	WASHER, PLAIN S 10	
14	UH2255001	1	PAPER DELIVERY GEAR ASSY	
15	U74234001	4	TAPTITE, CUP M4X5	
16	UH2250001	1	PAPER DELIVERY HOLDER SPRING	
17	UH2252000	1	SPACER 2	
18	UH2254000	2	SPACER 1	
19	T31242001	2	PCB SPACER F	
20	UH2263001	1	SCANNER FAN MOTOR	
21	083313015	2	TAPTITE, PAN B M3X30	
22	087320616	1	TAPTITE, CUP S M3X6	
23	UH2209000	2	TRAY GUIDE	ADD

MODEL HL-1660/TMT-17 54T-U02-500

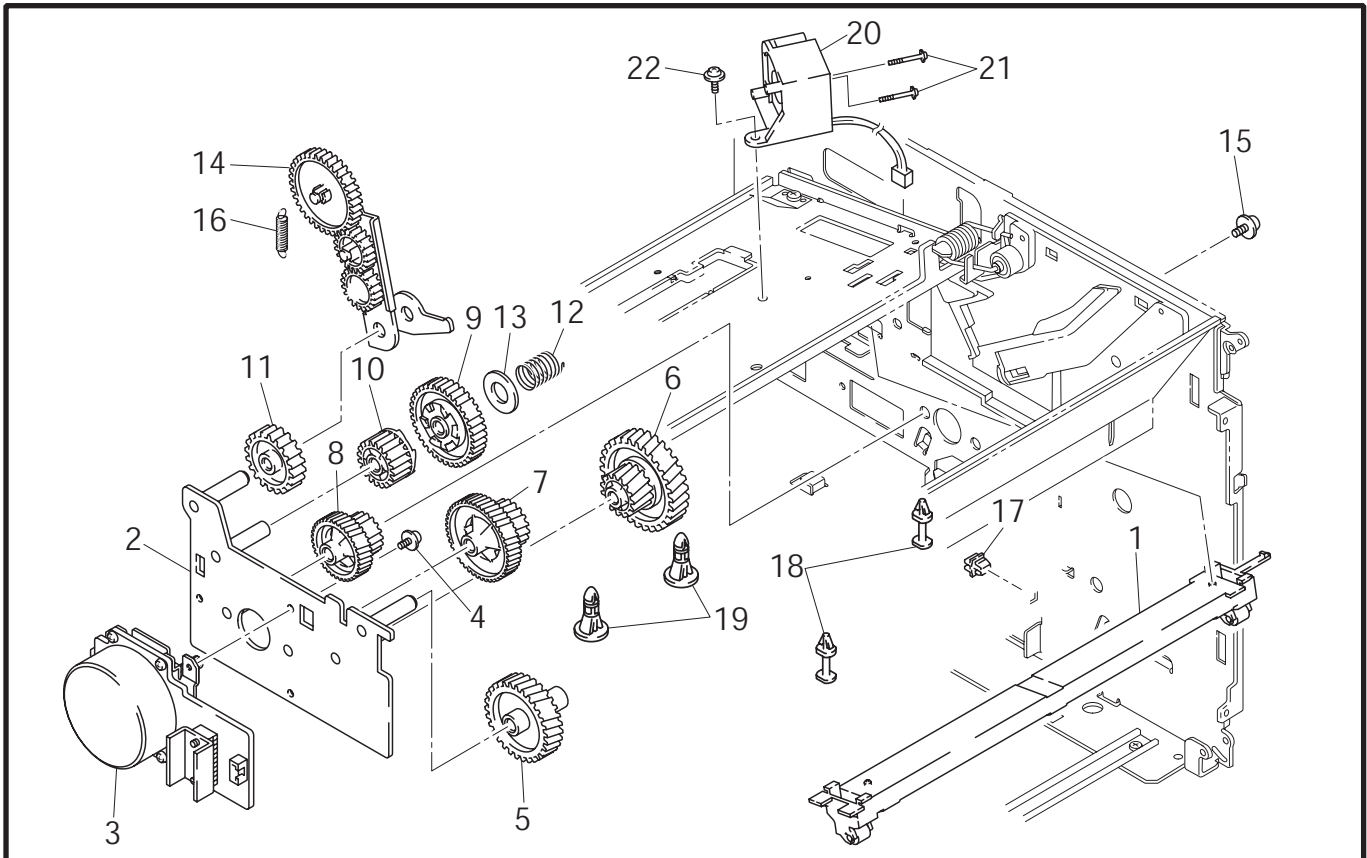
T/I NO. PR2001050

8 .COVERS



MODEL HL-1660/TMT-17 54T-U02-400

9 .CHASSIS



MODEL HL-1660/TMT-17 54T-U02-500

10. TRANSFER

PR2000081

REF.NO.	CODE	Q'TY	DESCRIPTION	REMARK
1-1	UH2787001	1	TRANSFER BASE ASSY (SP)	
1	LJ0019001	1	BOTTOM SIDE GUIDE	
2	UH1834001	1	TRANSFER ROLLER A ASSY (SP)	
3	087321016	1	TAPTITE, CUP S M3X10	

MODEL HL-1660/TMT-17 54T-U02-600

T/I NO. PR98174 / PR99090 / PR99155

11. PAPER TRAY

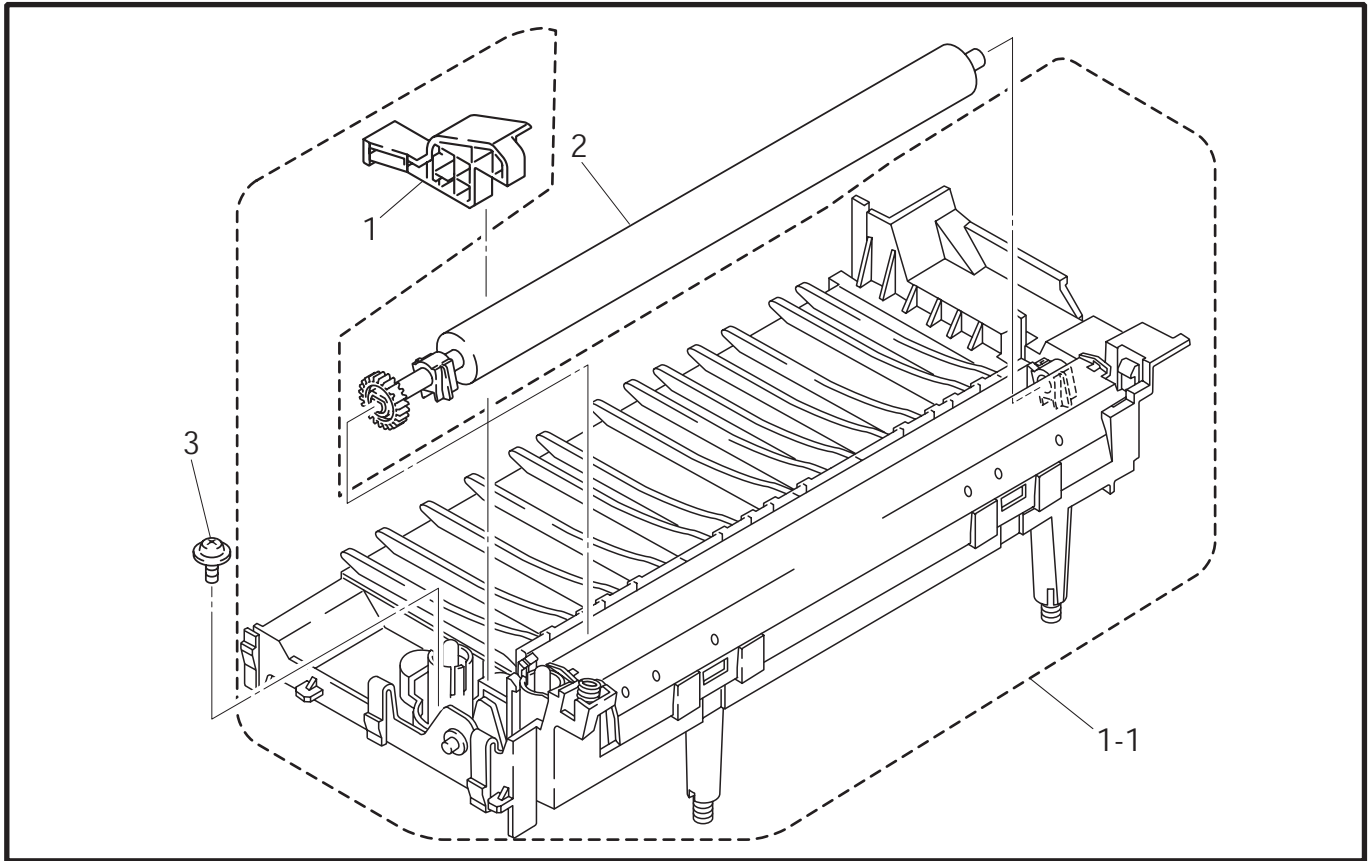
REF.NO.	CODE	Q'TY	DESCRIPTION	REMARK
1-10	UH2806001	1	PAPER TRAY UNIT SO, USA (SP) GRAY1227 (HL-1660)	
1-10	UH2802001	1	PAPER TRAY UNIT S, CAN (SP) GRAY1227 (HL-1660)	
1-10	UH2799001	1	PAPER TRAY UNIT S, EUR (SP) GRAY1227 (HL-1660)	
1-10	UH3374001	1	PAPER TRAY UNIT, ADP	
1	UH2487001	1	SEPARATION PAD ASSY T	
2	UH2490001	1	SEPARATION PAD SPRING T	
3	UH2360001	1	ROLLER	
4	UH2459001	1	ROLLER HOLDER	
5	UH2469001	1	PAPER FRONT GUIDE, BLUE6155	
6	UH2463001	1	GEAR 56T LINK	
7	UH2465001	1	SIZE DRUM	
8	085310815	3	TAPTITE, BIND B M3X8	
9	UH2472001	1	TRAY GUIDE PLATE 1	
10	UH2804001	1	ADJUST KNOB STOPPER	
11	UH2464000	1	GEAR 50T	ADD
12	UH2370001	1	GEAR 16/40T	ADD
13	UH2466000	1	TRAY GEAR HOLDER	ADD

MODEL HL-1660/TMT-17 54T-U02-650/651

TI NO. 96-P069 / 96-P077 / PR98270 / PR2000081

10 . TRANSFER

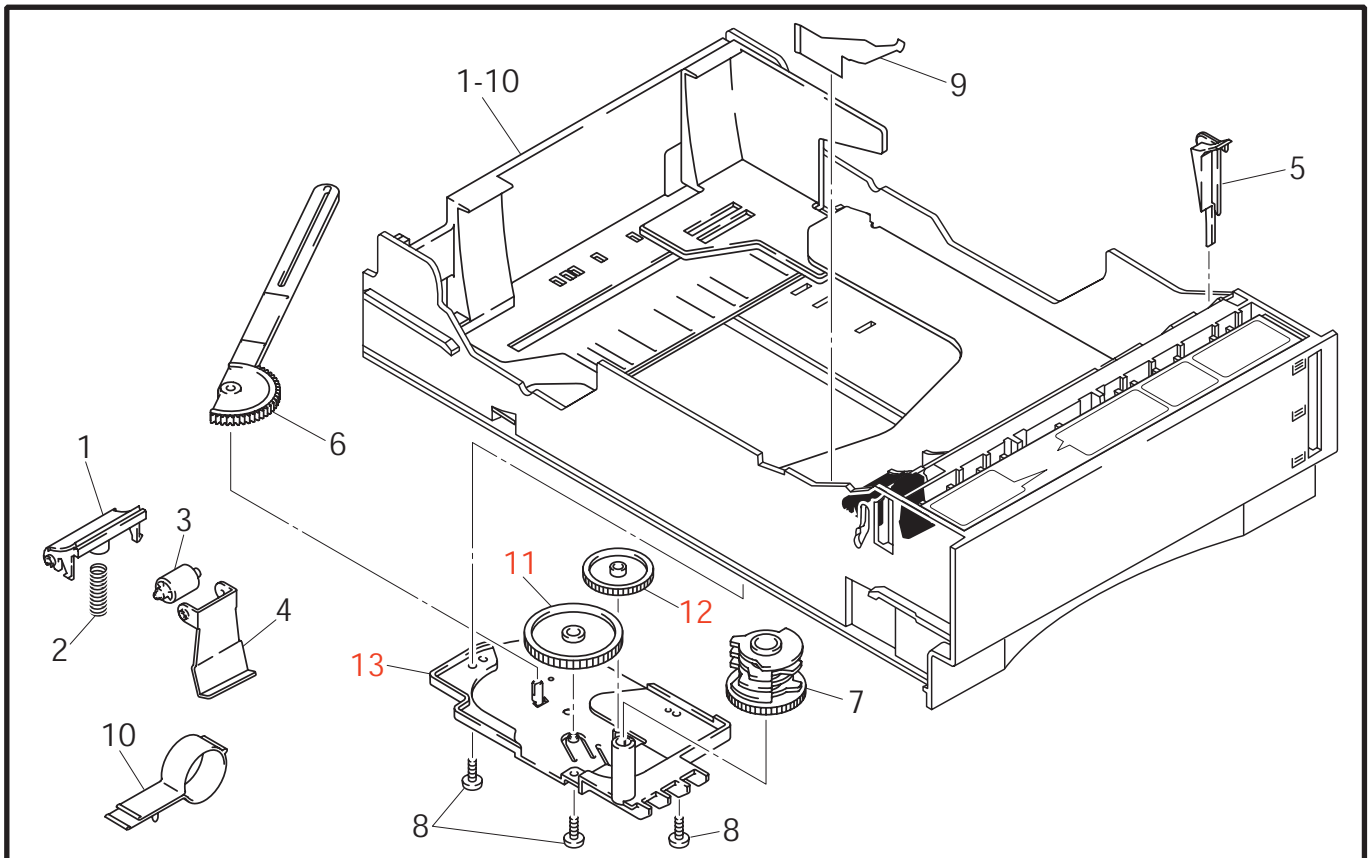
PR2000081



T/I NO. PR99090 / PR99155

MODEL HL-1660/TMT-17 54T-U02-600

11 . PAPER TRAY



TI NO. 96-P077 / PR2000081

MODEL HL-1660/TMT-17 54T-U02-650/651

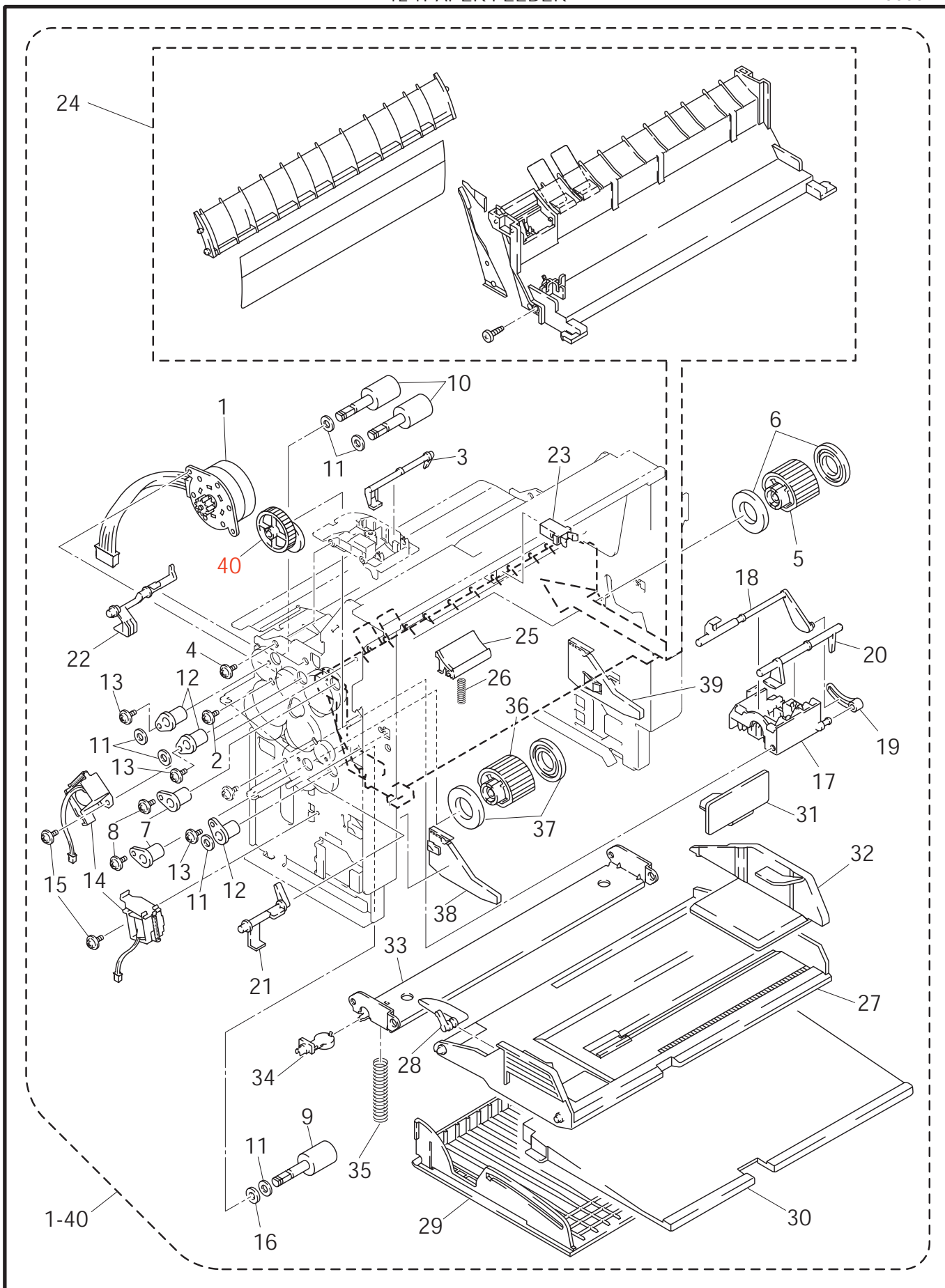
12. PAPER FEEDER

PR2002073

REF.NO.	CODE	Q'TY	DESCRIPTION	REMARK
1-40	UH2824001	1	PAPER FEEDER CHASSIS UNIT 2 (SP) (WITH PCB/SW SPRING/SCREW)	
1	UH2357001	1	PAPER FEED MOTOR ASSY	
2	087320616	2	TAPTITE, CUP S M3X6	
3	UH2359000	1	MP PAPER DETECTION ACTUATOR	
4	085310815	2	TAPTITE, BIND B M3X8	
5	UH2362001	1	PAPER PICK-UP ROLLER ASSY	
6	UH2364000	2	PAPER PICK-UP ROLLER COLLAR	CODE CHNG
7	UH2366000	2	BEARING	
8	085320616	2	TAPTITE, BIND S M3X6	
9	UH2416001	1	PAPER FEED ROLLER ASSY 60	
10	UH2367001	2	PAPER FEED ROLLER ASSY 70	
11	UL0633000	6	WASHER, PLAIN	
12	UH2366000	3	BEARING	
13	085320616	3	TAPTITE, BIND S M3X6	
14	UH2369001	2	PAPER PICK-UP SOLENOID	
15	085320416	2	TAPTITE, BIND S M3X4	
16	UH2428000	1	BEARING CALLOR	
17	UH2379000	1	TRAY SENSOR HOLDER	
18	UH2380000	1	PE SENSOR ACTUATOR TRAY	
19	UH2381000	1	PE ACTUATOR LINK	
20	UH2382000	1	DU DETECTION ACTUATOR	
21	UH2383000	1	PE SENSOR ACTUATOR MP	
22	UH2384000	1	REGIST SENSOR ACTUATOR	
23	UH2136001	1	LATCH	
24	UH2797001	1	MP PAPER FEED GUIDE ASSY (SP)	
25	UH2393001	1	SEPARATION PAD ASSY	
26	UH2433001	1	SEPARATION PAD SPRING MP	
27	UH2397001	1	MP TRAY ASSY	
28	UH2400000	1	MP PE SUB ACTUATOR	
29	UH2406000	1	MP TRAY COVER	
30	UH2407000	1	MP EXTENSION TRAY	
31	UH2823001	1	SPACER	
32	UH2401000	1	MP PAPER GUIDE	
33	UH2402000	1	MP RELEASE PLATE	
34	UH2403000	1	MP RELEASE SUPPORTER	
35	UH2404000	1	MP SPRING	
36	UH2821001	1	PAPER PICK-UP ROLLER ASSY 3	
37	UH2822001	2	PAPER PICK-UP ROLLER COLLAR 30	
38	UH2356000	1	RELEASE PLATE L	
39	UH2409000	1	RELEASE PLATE R	
40	UH1490001	1	MP RELEASE CAM GEAR 35T	

MODEL HL-1660/TMT-17 54T-U02-630

T/I NO. PR97037 / PR97131 / PR98001 / PR98202 / PR99087 / PR2000012 / PR2002073



13. SCANNER

PR98061

REF.NO.	CODE	Q'TY	DESCRIPTION	REMARK
1	UH2815001	1	SCANNER UNIT ASSY C (SP)	
2	UK2503000	1	SCN FLAT CABLE 6P	
3	087321616	4	TAPTITE, CUP S M3X16	
4	UK3254001	1	POLYGON HARNESS 5P	

MODEL HL-1660/TMT-17 54T-U02-700

14. FIXING UNIT, 120V/230V

REF.NO.	CODE	Q'TY	DESCRIPTION	SYMBOL	REMARK
1-6	UH2816001	1	FIXING UNIT, 120V C (SP)		
1-6	UH2817001	1	FIXING UNIT, 230V C (SP)		
1	UH2793001	1	HEAT ROLLER (SP)		
2	UH2608001	2	RETAINING RING, 25		
3	UK2451001	1	FIXING PCB ASSY	B48K142-200	
4	085310815	1	TAPTITE, BIND B M3X8		
5	UH2623001	1	PAPER DELIVERY ACTUATOR		
6	UH2794001	1	HALOGEN HEATER, 120V (SP)		
6	UH2795001	1	HALOGEN HEATER, 230V (SP)		
7	087421015	2	TAPTITE, CUP S M4X10		
8	UH2645001	2	HEATER SUPPORT SPRING S		
9	UH2646001	2	HEATER SUPPORT SPRING S #2		
10	UH2628001	1	THERMISTOR ASSY PT7		ADD

MODEL HL-1660/TMT-17 54T-U02-770/771

T/I NO. PR97148, PR98054, PR98061

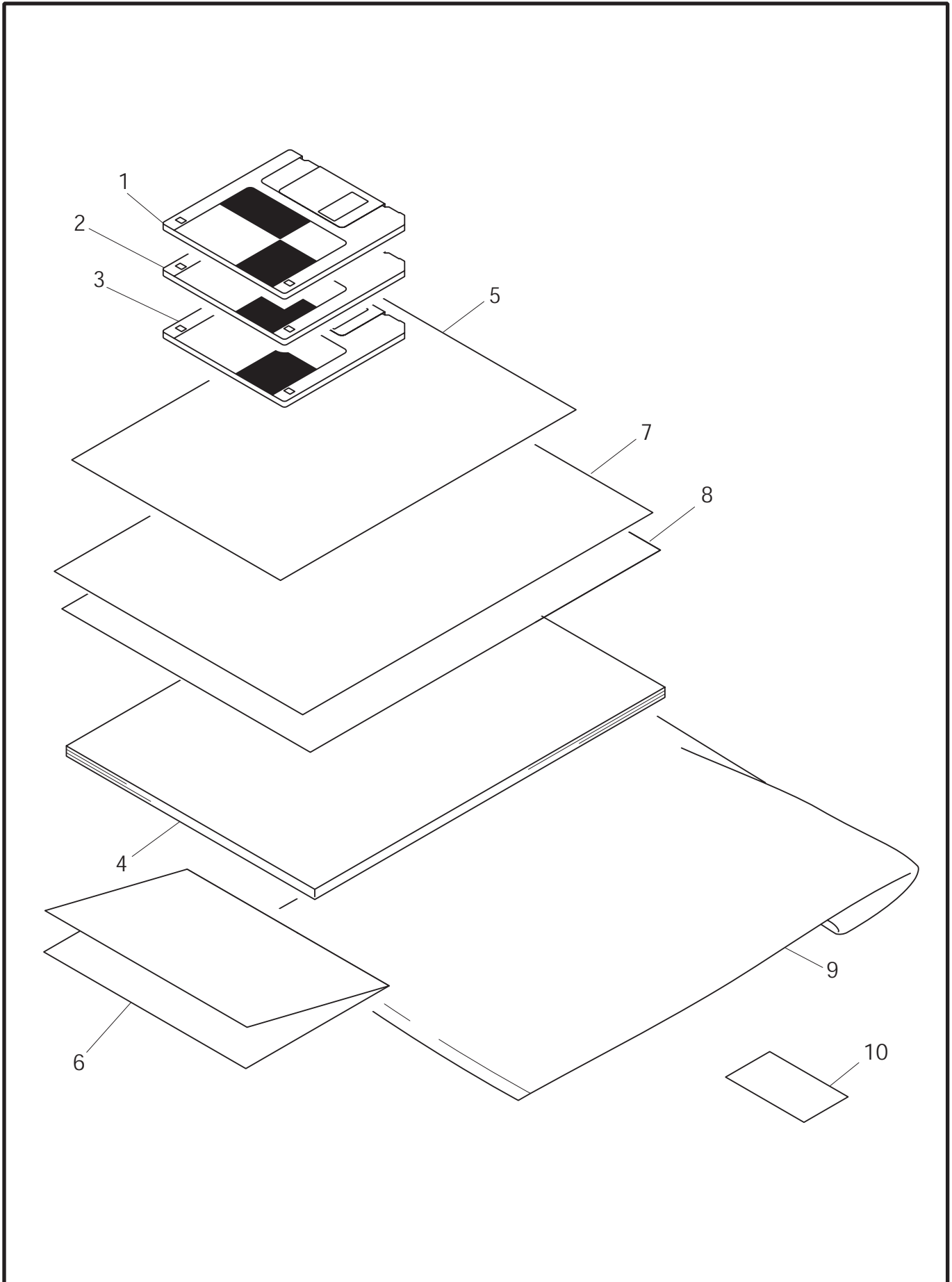
15. DOCUMENTS

REF.NO.	CODE	Q'TY	DESCRIPTION	REMARK
1	UK3464001	1	PR DRIVER DISK #1, HL-1660(FIRST PART 1/2)	
2	UK3466001	1	PR DRIVER DISK #2, HL-1660 (LATTER PART 2/2)	
3	UK3468001	1	OP EXPLANATION DISK, ENG (HL-1660)	
3	UK3470001	1	OP EXPLANATION DISK, GER (HL-1660)	
3	UK3472001	1	OP EXPLANATION DISK, FRA (HL-1660)	
3	UK3474001	1	OP EXPLANATION DISK, DUTCH (HL-1660)	
3	UK3476001	1	OP EXPLANATION DISK, NOR (HL-1660)	
3	UK3559001	1	OP EXPLANATION DISK, ITA (HL-1660)	
4	UH2696001	1	USER'S MANUAL, ENG (HL-1660)	
4	UH2697001	1	USER'S MANUAL, GER (HL-1660)	
4	UH2698001	1	USER'S MANUAL, FRA (HL-1660)	
4	UH2699001	1	USER'S MANUAL, DUTCH (HL-1660)	
4	UH2700001	1	USER'S MANUAL, NOR (HL-1660)	
4	UH2714001	1	USER'S MANUAL, ITA (HL-1660)	
5	UK3478001	1	PR DRIVER SET UP, ENG	
5	UK3479001	1	PR DRIVER SET UP, GER	
5	UK3480001	1	PR DRIVER SET UP, FRA	
5	UK3481001	1	PR DRIVER SET UP, DUTCH	
5	UK3482001	1	PR DRIVER SET UP, NOR	
5	UK3561001	1	PR DRIVER SET UP, ITA	
6	UH2717001	1	WARRANTY CARD, USA	
6	UH2693001	1	WARRANTY CARD, CAN	
6	UL7581001	1	WARRANTY CARD, FRA2	
6	237703001	1	WARRANTY CARD, DUTCH	
7	UH2716001	1	ACCESSORY ORDER FORM	
8	UH3294001	1	ACCESSORY ORDER FORM CANADA	
8	UL7426001	1	SC INSERTION SHEET, USA	
9	UE0331001	1	BAG, 215X350H (USER'S MANUAL)	
10	163528001	1	CAUTION LABEL, BS	

MODEL HL-1660/TMT-17 541-U02-920

TI NO. 96-P042 / 96-P047 / 96-P050 / 96-P066 / 97-P067 / 97-P002 / 97-P020 / 97-P027 / 97-P038

15 .DOCUMENTS



MODEL HL-1660/TMT-17 54T-U02-920

TI NO.96-P042 / 96-P050 / 97-P002

16. PACKING MATERIALS

PR98065

REF.NO.	CODE	Q'TY	DESCRIPTION	REMARK
1	UE0367000	1	CARTON, C-NO BRAND (TMT-17)	
1	UE0502001	1	CARTON, C-USA H (HL-1660)	
1	UE0503001	1	CARTON, C-EUR H (HL-1660)	
2	UE0370000	1	STYROFOAM PAD ASSY	
3	UE0373000	1	PAD (TMT-17)	
4	UE0374000	1	CARTON, TNR CARTRIDGE (W/EP-ED)	
4	UE0476000	1	CARTON, TNR CARTRIDGE (WO/EP-ED)	
5	UE0376000	1	STYROFOAM PAD (PLATE HOLDER)	
6	UH2735001	1	RELEASE SPACER R	
7	UH2736001	1	RELEASE SPACER L	
8	UE0396000	1	PAD (CONTROL PANEL)	
9	UE0477000	1	BAG, 900X800 (BODY)	
9	U63969000	1	BAG, 900X800 BS W/HOLE (BODY)	
10	U62092001	1	CAUTION LABEL 24, US	
10	163528001	1	CAUTION LABEL, BS	
11	U04510001	1	IMPORTER LABEL, CAN	
12	X60267002	1	RECYCLE LABEL, DEU/FRA	
13	UH2748001	1	BAR CODE LABEL, 524328 UPC USA (HL-1660)	
13	UH2747001	1	BAR CODE LABEL, 525565 EAN EUR (HL-1660)	
13	UH2750001	1	BAR CODE LABEL, 524373 UPC USA (TMT-17)	
13	UH2749001	1	BAR CODE LABEL, 525565 EAN EUR (TMT-17)	
14	UE0405000	1	PAD (LETTER SIZE TRAY)	
14	UE0406000	1	PAD (A4 SIZE TRAY)	
15	UE0425001	1	POSITION FIXING SPONGE	
16	UH2741001	1	INSERTION SHEET	
17	UH3373001	1	NO RTN FORM, USA (HL-1660)	
18	UH3295001	1	RNT FORM, CAN (HL-1660)	
19	UH3297001	1	C-TICK MARK LABEL	

MODEL HL-1660/TMT-17 54T-U02-930

TI NO. 96-P042 / 96-P050 / 96-P074 / 97-P019 / 97-P073

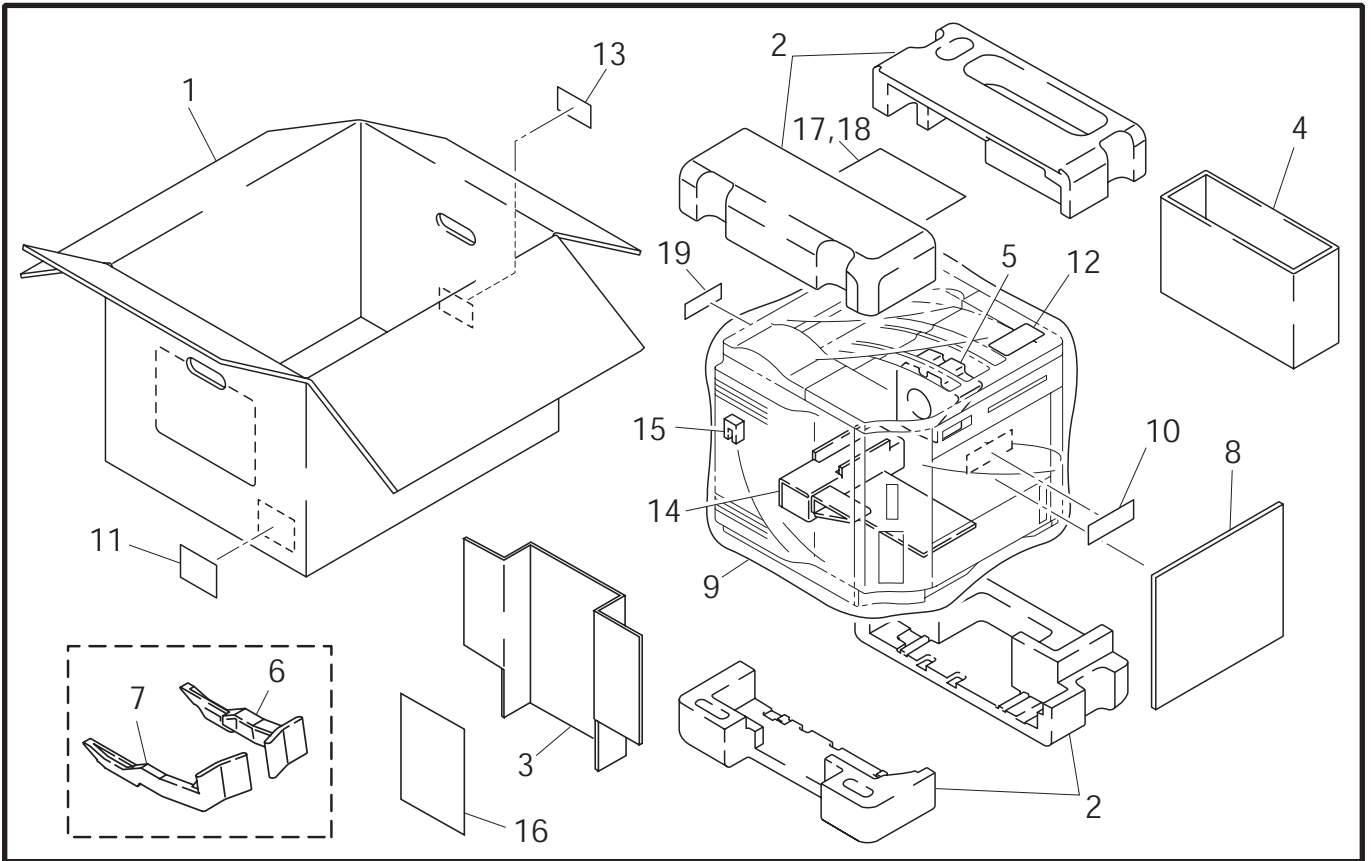
17. OPTIONAL PARTS SET

REF.NO.	CODE	Q'TY	DESCRIPTION	REMARK
1	UH2499001	1	ROLLER HOLDER SO ASSY (SP)	
2	UH2498001	2	TRAY PUSH SPRING ELT (SP)	
3	UH2477000	2	TRAY PUSH SPRING FILM ELT (SP)	
4	UH2820001	1	PAPER PICK-UP ROLLER UNIT 2 (SP)	
5	UH1778000	1	SEPARATION PAD SPRING DX (SP)	
6	UH1772001	1	SEPARATION PAD DX ASSY (SP)	
7	UH2823001	1	SPACER	

MODEL HL-1660/TMT-17 54T-U02-940

TI NO. 97-P066, PR98065

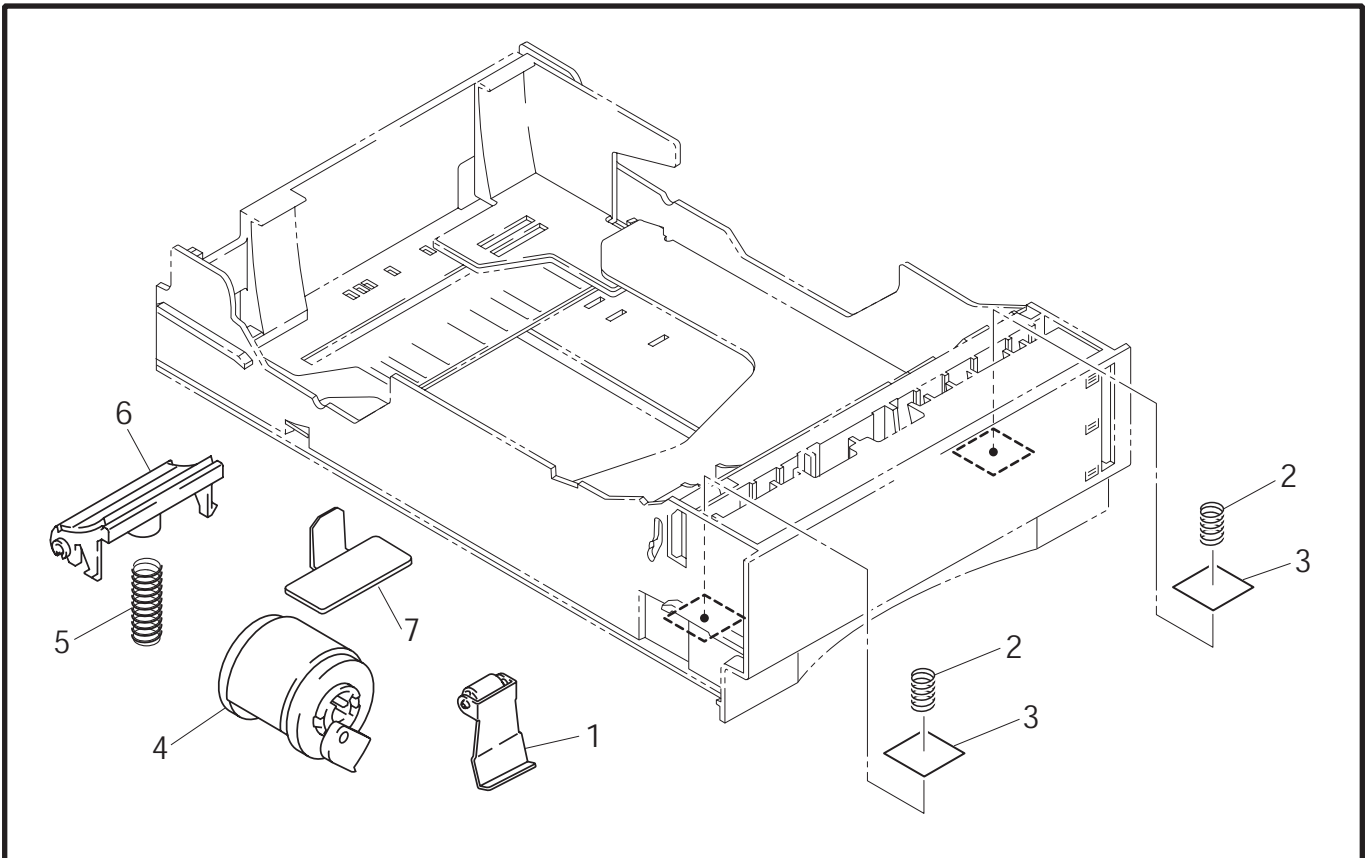
16 . PACKING MATERIALS



TI NO.96-P050 / 96-P074 / 97-P019 / 97-P073

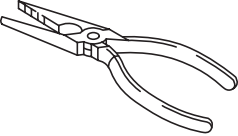
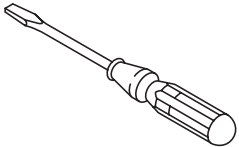
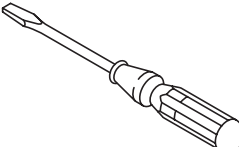
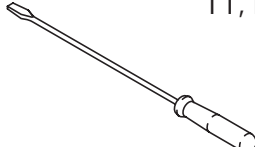
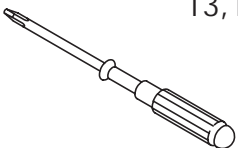
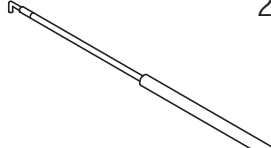
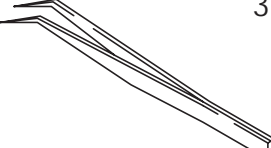
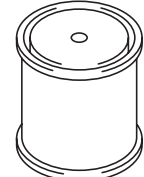
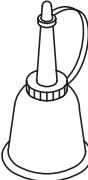
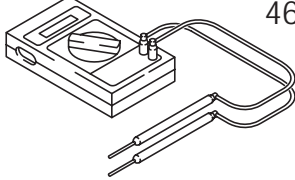
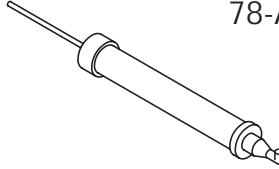
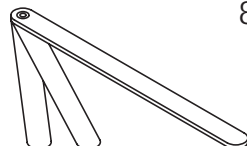
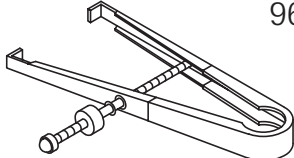
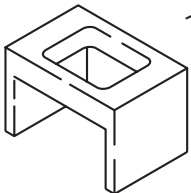
MODEL HL-1660/TMT-17 54T-U02-930

17 . OPTIONAL PARTS SET



TI NO.97-P066

MODEL HL-1660/TMT-17 54T-U02-940

 <p>1</p>	 <p>9</p>	 <p>10</p>	 <p>11,12</p>
 <p>13,14</p>	 <p>29</p>	 <p>31</p>	 <p>43-D,N,O</p>
 <p>44</p>	 <p>46</p>	 <p>78-A</p>	 <p>87</p>
 <p>96</p>	 <p>164</p>		