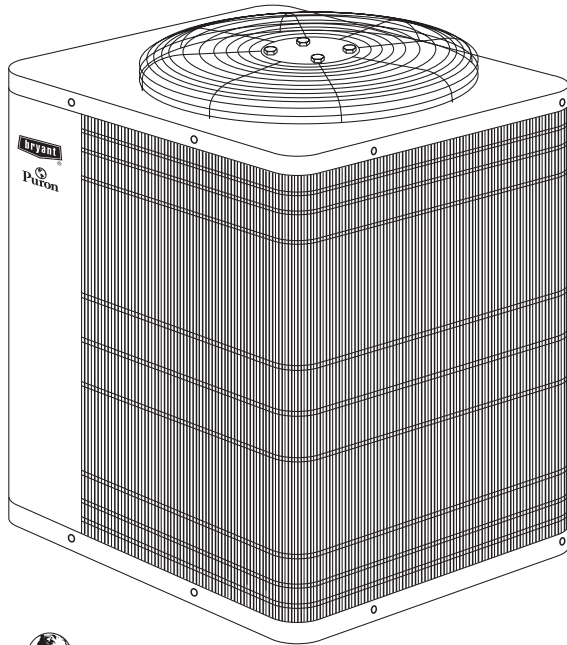




DELUXE 12 SEER AIR CONDITIONER WITH PURON® REFRIGERANT

552A (60 Hz)

Sizes 018 thru 060



Bryant's Quantum Plus 552A with Puron® refrigerant provides features which cannot be matched by any other family of equipment. The 552A is a Quantum Plus air conditioning system utilizing Bryant's unique Puron refrigerant. The environmentally sound refrigerant allows you to make a responsible decision in the protection of the earth's ozone layer. Bryant's Quantum Plus systems meet the Energy Star® guidelines for energy efficiency.

FEATURES

Puron® Environmentally Sound Refrigerant—Is Bryant's unique refrigerant designed to help protect the environment. Puron is an HFC refrigerant which does not contain chlorine that can harm the ozone layer. The most important advantage of Puron refrigerant is that it has not been banned in future air conditioning systems as the traditional refrigerant R-22 has been. Puron refrigerant is in service in thousands of systems proving highly reliable, environmentally sound performance.

Heavy Duty Inlet Grille—The DuraGuard™ coil protector, made of a coated steel wire grid with vertical 3/8 in. spacing, is designed to help protect the coil from inclement weather, vandalism, and incidental damage. It provides protection while not restricting airflow and maintaining ease of coil inspection and cleaning.

High Efficiency Performance—Is delivered through a combination of features including Bryant's Puron refrigerant, unique scroll compressor, and advanced heat transfer surfaces. Efficiency ratings are 12 SEER (Seasonal Energy Efficiency Ratio) with enhanced ratings of up to 14 SEER. Sophisticated heat transfer surfaces utilized in Bryant's 552A design allow heat to easily be transferred to the outdoor air and require less energy. The unique scroll compressor found in the 552A design performs quietly and adds to the overall efficiency of the system. For improved serviceability, all models are equipped with a compressor terminal plug. Finally, Bryant's unique Puron refrigerant operates more efficiently than ordinary R-22 refrigerant found in other systems. The efficiency levels provided by the 552A provide end users with lower costs of operation than traditional air conditioning systems.

Assured Future Service—By utilizing the environmentally sound refrigerant, Puron, 552A models will remain serviceable well into the future. The Clean Air Act of 1990 has placed a cap

on production of most other refrigerants which has scheduled reductions beginning in 2004. The resulting cap in production ultimately results in a complete ban on many other refrigerants in new equipment by the year 2010. These changes, required by federal law, mean the supply of other refrigerants may be limited in the near future making Puron the correct choice when considering long term serviceability.

Highly Reliable Performance—Is delivered through the superior design of the system and componentry. The reliability of the existing Quantum Plus models has been proven to provide the lowest incidence of warranty service of any product in the Bryant family in the past few years of service. Long term reliability is assured through the use of both high and low pressure switches which will not allow the system to operate in the event of a significant change in operating pressure. In doing this, the system is protected from damage if an unusual condition arises. Finally, Bryant includes a special liquid line filter drier designed to trap moisture and contaminants which could otherwise shorten the life of the system.

Bryant's AeroQuiet System—Extremely low operating sound is the result of special attention to the air moving through the outdoor unit, and a specially designed sound enclosure surrounding the compressor to eliminate sound transmission to the rest of the systems.

Application Versatility—Bryant's systems utilizing Puron refrigerant have the same application guidelines as other systems. Applications which include long line sets (50 to 175 ft) or applications which require the system to operate at low outdoor temperatures (below 55°F) are approved under Bryant's standard guidelines.

Bryant Coils and Fan Coils to Complete the System—Bryant specially designs both the outdoor product and indoor coil products to operate with assured reliability and performance. A wide range of indoor coil options are listed in the ratings section of this publication.

Special Protective Devices—High and low pressure switches and internal protection in the compressor including temperature and current sensing overloads prevent operation under potentially damaging circumstances. A special liquid line filter drier designed to trap nearly four times the volume of contaminants of standard driers provides superior protection from moisture trapped in the system.

Electrical Range—208/230v, single phase.

Wide Range of Sizes—Available in seven sizes; 1-1/2, 2, 2-1/2, 3, 3-1/2, 4, and 5 tons.

Reliant Cabinet—Galvanized steel is coated with powder paint to provide a superior, long lasting appearance.

Totally Enclosed Fan Motor—Protected from adverse weather conditions.

Unit Design—Enhanced copper and aluminum heat transfer surfaces with vertical air discharge to direct air up and away from the area.

External Service Valves—Both service valves are back seating type valves which are externally located. These unique valves allow service technicians to evacuate or charge the system in less time than standard service valves.

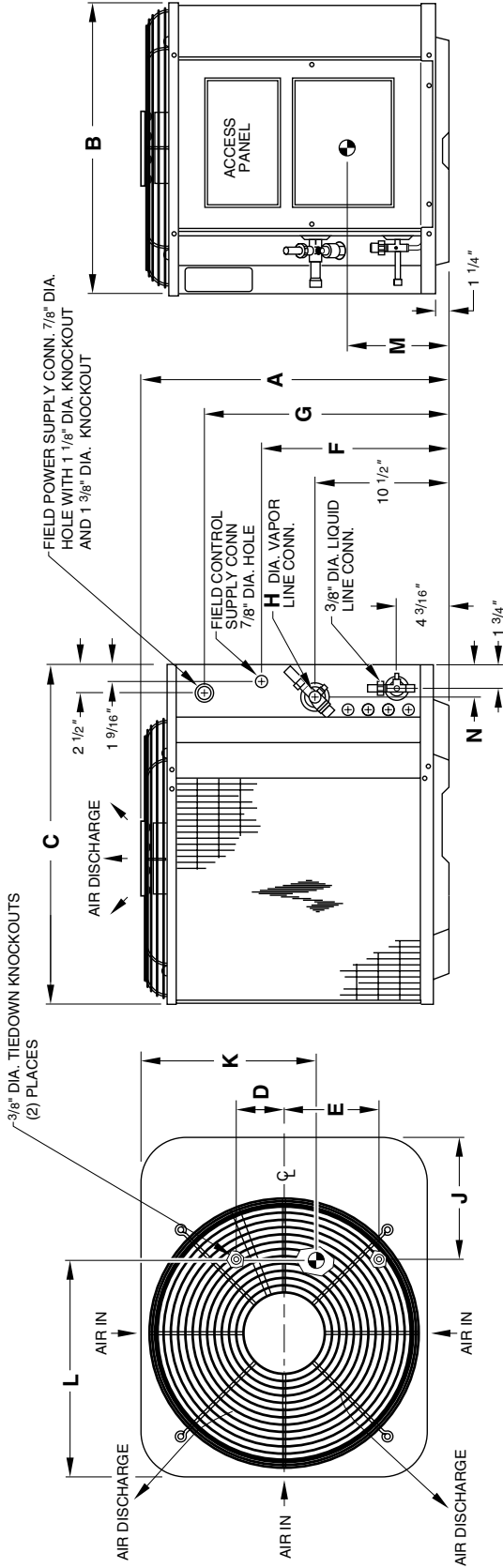
Easy Serviceability—One access panel provides access to electrical controls and compressor. Removal of wire dome gives access to fan motor and removal of the top gives access to the coil.

Agency Approvals—552A models are listed with UL (U.S. and Canada), ARI, and CEC. Special endorsements have also been awarded these products by Energy Star® which recognizes energy efficient products.

Limited Warranty—A standard five year warranty on parts with a 10 year warranty on the compressor. Optional warranties are available through your Bryant distributor.

Form No. PDS 552A.18.3

DIMENSIONS



NOTES:

1. ALLOW 30" CLEARANCE TO SERVICE SIDE OF UNIT, 48" ABOVE UNIT, 6" ON ONE SIDE, 12" ON REMAINING SIDE, AND 24" BETWEEN UNITS FOR PROPER AIRFLOW.
2. MINIMUM OUTDOOR OPERATING AMBIENT IN COOLING MODE IS 55°F, (UNLESS LOW AMBIENT CONTROL IS USED) MAX. 125°F.
3. SERIES DESIGNATION IS THE 14TH POSITION OF THE UNIT MODEL NUMBER.
4. CENTER OF GRAVITY

A99067

DIMENSIONS (IN.)

UNIT SIZE	SERIES	UNIT DIMENSIONS														MINIMUM MOUNTING PAD DIMENSIONS
		A	B	C	D	E	F	G	H	J	K	L	M	N		
018	F	33-13/16	22-1/2	27-1/2	4-1/8	7-1/8	21-15/16	28-3/8	5/8	8-3/16	12-1/2	14	15-1/2	2-3/8	20 x 27	
024	F	27-13/16	30	33	5-1/16	9-11/16	15-15/16	22-3/8	5/8	8-3/16	18-1/2	19-3/4	13	2-15/16	26 x 32	
024	G	33-13/16	22-1/2	27-1/2	2-13/16	6-15/16	21-1/2	27-7/8	5/8	8-3/16	12-1/2	14	15-1/2	2-3/8	20 x 27	
030	F	27-13/16	30	33	5-1/16	9-11/16	15-15/16	22-3/8	3/4	8-3/16	18-1/2	19-3/4	13	2-15/16	26 x 32	
036	F, G	27-13/16	30	33	5-1/16	9-11/16	15-15/16	22-3/8	3/4	8-3/16	18-1/2	19-3/4	13	2-15/16	26 x 32	
042	F	27-13/16	30	33	5-1/16	9-11/16	15-15/16	22-3/8	7/8	8-3/16	18-1/2	19-3/4	13	2-15/16	26 x 32	
048	F	27-13/16	30	33	5-1/16	9-11/16	15-15/16	22-3/8	7/8	8-3/16	18-1/2	19-3/4	13	2-15/16	26 x 32	
060	F	39-13/16	30	33	5-1/16	9-11/16	27-15/16	34-3/8	7/8	8-3/16	17-3/4	19	17-3/4	2-15/16	26 x 32	

RECOMMENDED TUBE DIAMETERS

UNIT SIZE	Liquid Tube Diameter (In.)		Vapor Tube Diameter (In.)	
	0 to 50 Ft Tube Length	Long-Line Applications*	0 to 50 Ft Tube Length	Long-Line Applications* (Maximum Diameter)
018	3/8	3/8	5/8	3/4
024			5/8	3/4
030, 036			3/4	7/8
042, 048			7/8	1-1/8
060			1-1/8	1-1/8

* For tube sets greater than 50 ft and/or 20 ft vertical differential, consult Application Guideline and Service Manual—Air Conditioners and Heat Pumps Using Puron® Refrigerant.

CHECK-FLO-RATER® PISTON

UNIT SIZE—SERIES	PISTON* IDENTIFICATION NO.
018 F	49
024-F/G	61/55
030-F	63
036-F, G	67
042-F	76
048-F	80
060-F	90

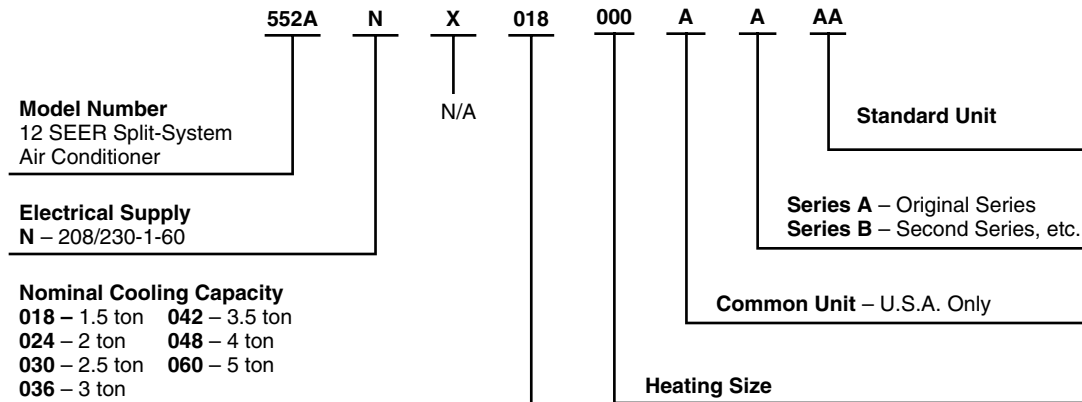
* Piston listed is for any approved non-capillary tube coil combination. Piston is shipped with outdoor unit and must be installed in an approved indoor coil.

CHARGING SUBCOOLING (TXV-TYPE EXPANSION DEVICE*)

UNIT SIZE—SERIES	REQUIRED SUBCOOLING (°F)
018 F	10
024-F/G	8/10
030-F	11
036-F, G	11
042-F	9
048-F	10
060-F	11

* Must be a Puron® approved hard shutoff TXV.

MODEL NUMBER NOMENCLATURE



CERTIFICATION APPLIES ONLY WHEN THE COMPLETE SYSTEM IS LISTED WITH ARI.



* As an ENERGY STAR® partner, Bryant Heating & Cooling Systems has determined that this product meets the ENERGY STAR® guidelines for energy efficiency.



APPROVALS
 ISO 9001
 EN 29001
 BS 5750 PART 1
 ANSI/ASQC Q91

REGISTERED QUALITY SYSTEM

* Refer to the combination ratings in the Product Data Sheet for system combinations that meet Energy Star® efficiency standards.

SPECIFICATIONS

UNIT SIZE-SERIES	018-F	024-F/G	030-F	036-F/G
Operating Weight (Lb)	168	209	209	212
ELECTRICAL				
Unit Volts—Hertz—Phase	208/230—60—1			
Operating Voltage Range*	187—253			
Compressor— Rated Load Amps	10.3	13.5/12.8	14.7	16.7/15.4
Locked Rotor Amps	51.0	61.0/60.0	72.5	87.5/83.0
Condenser Fan Motor—Full Load Amps	0.50	0.50/0.80	0.80	0.8
Min Unit Ampacity for Wire Sizing	13.4	17.4/16.8	19.2	21.7/20.1
Min Wire Size (60°C Copper) AWG†	14	14	14	12
Min Wire Size (75°C Copper) AWG†	14	14	14	12
Max Wire Length (Ft) (60°C Copper)‡	61	45/46	41	57/62
Max Wire Length (Ft) (75°C Copper)‡	58	43/44	39	54/59
Max Branch Circuit Fuse or Circuit Breaker Size (Amps)	20	25	30	30
COMPRESSOR & REFRIGERANT				
Compressor— Type	Scroll			
Temperature & Current Protection	Internal Line Break			
Refrigerant— Type	Puron® (R-410A)			
Amount (Lb)	5.22	5.31/5.20	5.19	5.43
CONDENSER COIL & FAN				
Coil Face Area (Sq Ft)	10.9	12.2/10.9	12.2	12.2
Fins per In.—Rows—Circuits	25—1—2	25—1—2	25—1—2	25—1—2
Fan Motor—HP (PSC) & RPM	1/12 & 1100	1/15 & 825/1/10 & 1100	1/8 & 825	1/8 & 825
Volts—Hertz—Phase	208/230—60—1			
Condenser Airflow (CFM)	1700	1800/2000	2400	2400
OPTIONAL EQUIPMENT				
Support Feet	KSASF0101AAA			
Coastal Filter	KAACF0701SML	KAACF0801MED/ KAACF0701SML	KAACF0801MED	
Time Delay Relay	KAATD0101TDR			
Cycle Protector	KSACY0101AAA			
Crankcase Heater	KAACH1201AAA			
Start Assist—Capacitor/Relay Type	KSAHS1501AAA			
Start Assist—PTC Type	KAACS0201PTC			
TXV (Hard Shutoff)	KSATX0201PUR			KSATX0301PUR
Piston Body	KSAPX0101PIS			
Filter Drier (Suction Line)	KH45LG140 (RCD)			
Evaporator Freeze Thermostat††	KAAFT0101AAA			
Liquid-Line Solenoid Valve	KAALS0201LLS			
Winter Start Control††	KAAWS0101AAA			
Low-Ambient Pressure Switch	KSALA0301410			
MotorMaster® Control**	32LT660004 (RCD)			
Ball Bearing Fan Motor	HC34GE232	HC38GE231/HC34GE232	HC38GE231 (RCD)	
Thermostat—Auto Changeover, Non-Programmable, °F/°C, 1-Stage Heat, 1-Stage Cool	TSTATBBNAC01-B			
Thermostat—Auto Changeover, 7-Day Programmable, °F/°C, 1-Stage Heat, 1-Stage Cool	TSTATBBPAC01-B			
Thermidistat™ Control— Programmable Thermostat with Humidity Control	TSTATBBPRH01-B			
Builder's Thermostat—Manual Changeover, Non-Programmable, °F/°C, 1-Stage Heat, 1-Stage Cool	TSTATBBBAC01-B			
Outdoor Air Temperature Sensor	TSTATXXSEN01-B			
Backplate for Non-Programmable Thermostat	TSTATXXNBP01			
Backplate for Programmable Thermostat	TSTATXXBP01			
Backplate for Builder's Thermostat	TSTATXXBBP01			
Thermostat Conversion Kit (4 to 5 wire)—10 Pack	TSTATXXCNV10			

See notes on page 5.

SPECIFICATIONS Continued

UNIT SIZE-SERIES	042-F	048-F	060-F
Operating Weight (Lb)	213	215	278
ELECTRICAL			
Unit Volts—Hertz—Phase	208/230—60—1		
Operating Voltage Range*	187—253		
Compressor—Rated Load Amps	18.6	20.5	27.6
Locked Rotor Amps	105.0	109.0	158.0
Condenser Fan Motor—Full Load Amps	1.1	1.1	1.4
Min Unit Ampacity for Wire Sizing	24.4	26.7	35.9
Min Wire Size (60°C Copper) AWG†	10	10	8
Min Wire Size (75°C Copper) AWG†	10	10	8
Max Wire Length (Ft) (60°C Copper)‡	81	74	86
Max Wire Length (Ft) (75°C Copper)‡	77	71	82
Max Branch Circuit Fuse or Circuit Breaker Size (Amps)	40	40	60
COMPRESSOR & REFRIGERANT			
Compressor—Type	Scroll		
Temperature & Current Protection	Internal Line Break		
Refrigerant—Type	Puron® (R-410A)		
Amount (Lb)	5.43	5.75	8.00
CONDENSER COIL & FAN			
Coil Face Area (Sq Ft)	12.2	12.2	18.2
Fins per In.—Rows—Circuits	25—1—2	25—1—2	25—1—3
Fan Motor—HP (PSC) & RPM	1/5 & 825	1/5 & 1100	1/4 & 1100
Volts—Hertz—Phase	208/230—60—1		
Condenser Airflow (CFM)	2800	2800	3300
OPTIONAL EQUIPMENT			
Support Feet	KSASF0101AAA		
Coastal Filter	KAACF0801MED		
Time Delay Relay	KAATD0101TDR		
Cycle Protector	KSACY0101AAA		
Crankcase Heater	KAACH1201AAA		
Start Assist—Capacitor/Relay Type	KSAHS1501AAA	KSAHS1601AAA	
Start Assist—PTC Type	KAACS0201PTC		
TXV (Hard Shutoff)	KSATX0301PUR	KSATX0401PUR	KSATX0501PUR
Piston Body	KSAPX0101PIS		
Filter Drier (Suction Line)	KH45LG141 (RCD)		
Evaporator Freeze Thermostat††	KAAFT0101AAA		
Liquid-Line Solenoid Valve	KAALS0201LLS		
Winter Start Control††	KAAWS0101AAA		
Low-Ambient Pressure Switch	KSALA0301410		
MotorMaster® Control**	32LT660004 (RCD)		
Ball Bearing Fan Motor	HC38GE231 (RCD)		HC40GE232 (RCD)
Thermostat—Auto Changeover, Non-Programmable, °F/°C, 1-Stage Heat, 1-Stage Cool	TSTATBBNAC01-B		
Thermostat—Auto Changeover, 7-Day Programmable, °F/°C, 1-Stage Heat, 1-Stage Cool	TSTATBBPAC01-B		
Thermidistat™ Control— Programmable Thermostat with Humidity Control	TSTATBBPRH01-B		
Builder's Thermostat—Manual Changeover, Non-Programmable, °F/°C, 1-Stage Heat, 1-Stage Cool	TSTATBBBAC01-B		
Outdoor Air Temperature Sensor	TSTATXXSEN01-B		
Backplate for Non-Programmable Thermostat	TSTATXXNBP01		
Backplate for Programmable Thermostat	TSTATXXPBP01		
Backplate for Builder's Thermostat	TSTATXXBBP01		
Thermostat Conversion Kit (4 to 5 wire)—10 Pack	TSTATXXCNV10		

* Permissible limits of the voltage range at which the unit will operate satisfactorily. Operation outside these limits may result in unit failure.

† If wire is applied at ambient greater than 30°C (86°F), consult Table 310-16 of the NEC (ANSI/NFPA 70).

The ampacity of nonmetallic-sheathed cable (NM), trade name ROMEX, shall be that of 60°C (140°F) conductors, per the NEC (ANSI/NFPA 70) Article 336-26. If other than uncoated (non-plated), 60 or 75°C (140 or 167°F) insulation, copper wire (solid wire for 10 AWG and smaller, stranded wire for larger than 10 AWG) is used, consult applicable tables of the NEC (ANSI/NFPA 70).

‡ Length shown is as measured 1 way along wire path between unit and service panel for a voltage drop not to exceed 2%.

** Fan motor with ball bearings required.

†† See low-ambient controller Installation Instructions for application.

N/A — Not Applicable.

NOTE: Copper wire must be used from service disconnect to unit. All motors/compressors contain internal overload protection.

ACCESSORY USAGE GUIDELINE

ACCESSORY	REQUIRED FOR LOW-AMBIENT APPLICATIONS (Below 55°F)	REQUIRED FOR LONG-LINE APPLICATIONS* (Over 50 Ft)	REQUIRED FOR SEA COAST APPLICATIONS (Within 2 Miles)
Crankcase Heater	Yes	Yes	No
Evaporator Freeze Thermostat	Yes	No	No
Winter Start Control	Yes†	No	No
Accumulator	No	No	No
Compressor Start Assist Capacitor and Relay	Yes	Yes	No
MotorMaster® Control or Low-Ambient Pressure Switch	Yes	No	No
Wind Baffle	See Low-Ambient Instructions	No	No
Coastal Filter	No	No	Yes
Support Feet	Recommended	No	Recommended
Liquid-Line Solenoid Valve or Hard Shutoff TXV	No	See Long-Line Application Guideline	No
Ball Bearing Fan Motor	Yes‡	No	No

* For tubing line sets greater than 50 ft and/or 20 ft vertical differential, refer to Application Guideline and Service Manual—Air Conditioning and Heat Pumps Using Puron® Refrigerant.

† Only when low-pressure switch is used.

‡ Required for low-ambient controller (full modulation feature) and MotorMaster® Control only.

ACCESSORY DESCRIPTION AND USAGE (Listed Alphabetically)

1. Ball Bearing Fan Motor

A fan motor with ball bearings which permits speed reduction while maintaining bearing lubrication.

SUGGESTED USE: Required on all units where Low-Ambient Controller (full modulation feature) or MotorMaster® Control has been added.

2. Coastal Filter

A mesh screen inserted under the top cover and inside base pan to protect the condenser coil from corrosive atmosphere without restricting airflow.

SUGGESTED USE: In geographic areas where salt damage could occur.

In areas with high pollution levels.

3. Compressor Start Assist—Capacitor/Relay Type

Start capacitor and start relay which gives a hard" boost to compressor motor at each start-up.

SUGGESTED USE: Installations where interconnecting tube length exceeds 50 ft.

Installations where outdoor design temperature exceeds 105°F (40.6°C).

Installations where low voltage or brown-out conditions may occur.

4. Compressor Start Assist—PTC Type

Solid-state electrical device which gives a soft" boost to compressor motor at each start-up.

SUGGESTED USE: Installations with marginal power supply.

5. Crankcase Heater

An electric resistance heater which mounts to the base of the compressor to keep the lubricant warm during off cycles. Improves compressor lubrication on restart and minimizes chance of refrigerant slugging. May or may not include a thermostat control.

SUGGESTED USE: When interconnecting tube length exceeds 50 ft.

When unit will be operated below 55°F (12.8°C) outdoor air temperature. Use with Low-Ambient Controller.

All commercial installations.

6. Cycle Protector

Solid state timing device which prevents compressor rapid recycling. Control provides an approximate 5-minute delay after power to the compressor has been interrupted for any reason, including normal room thermostat cycling.

SUGGESTED USE: Installations in areas where power interruptions are frequent.

Where user is likely to play" with the room thermostat.

All commercial installations.

Installations where interconnecting tube length exceeds 50 ft.

High-rise applications.

7. Evaporator Freeze Thermostat

An SPST temperature actuated switch which stops unit operation when evaporator reaches freeze-up conditions.

SUGGESTED USE: All units where Winter Start Control has been added.

8. Filter Drier (Suction Line)

A device for removing contaminants from refrigerant circulating in an air conditioner: one direction flow.

SUGGESTED USE: All split-system air conditioners.

9. Liquid-Line Solenoid Valve (LSV)

An electrically operated shutoff valve to be installed at the outdoor or indoor unit (depending on tubing configuration) and which stops and starts refrigerant liquid flow in response to compressor operation. Maintains a column of refrigerant liquid ready for action at next compressor operation cycle.

SUGGESTED USE: For improved system performance in air conditioners for certain combinations of indoor and outdoor units. Refer to ARI Unitary Directory.

In certain long-line applications. Refer to Residential Split System Long-Line Application Guideline and Service Manual.

ACCESSORY DESCRIPTION AND USAGE (Listed Alphabetically) Continued

10. Low-Ambient Pressure Switch

A long life pressure switch which is mounted to outdoor unit service valve. It is designed to cycle the outdoor fan motor in order to maintain head pressure within normal operating limits (approximately 200 psig to 365 psig). The control will maintain working head pressure at low-ambient temperatures down to 0°F (-17.8°C) when properly installed.

SUGGESTED USE: Cooling operation at outdoor temperatures below 55°F (12.8°C).

11. MotorMaster® Control

A fan speed control device activated by a temperature sensor. Designed to control condenser fan motor speed in response to the saturated, condensing temperature during operation in cooling mode only. For outdoor temperatures down to -20°F (-28.9°C), it maintains condensing temperature at 100°F ± 10°F (37.8°C ± 5.6°C).

SUGGESTED USE: Cooling operation at outdoor temperatures below 55°F (12.8°C).
All commercial installations.

12. Outdoor Air Temperature Sensor

A device that allows the temperature at a remote location (outdoors) to be displayed at the thermostat.

SUGGESTED USE: All Bryant programmable thermostats.

13. Piston Body

This piston body is to be used as a replacement for the FK4C Fan Coil R-22 thermostatic expansion valve when used with Puron® (R-410A) air conditioner units. Use piston and piston ring shipped with outdoor unit for installations under 50 ft.

SUGGESTED USE: All Puron® air conditioner installations matched with FK4C Fan Coils.

14. Support Feet

Four stick-on plastic feet which raise the unit 4 in. above the mounting pad. This allows sand, dirt, and other debris to be flushed from the unit base, minimizing corrosion.

SUGGESTED USE: For improved sound ratings.
Coastal installations.
Windy areas or where debris is normally circulating.
Rooftop installations.

15. Thermostatic Expansion Valve (TXV)

A modulating flow-control valve which meters refrigerant liquid flow rate into the evaporator in response to the superheat of the refrigerant gas leaving the evaporator. Kit includes valve and adapter tubes.

SUGGESTED USE: For improved system performance in cooling mode for certain combinations of indoor and outdoor units. Refer to ARI Unitary Directory.
Required for use on all zoning systems.

16. Time-Delay Relay

An SPST delay relay which briefly continues operation of the indoor blower motor to provide additional cooling after the compressor cycles off.

SUGGESTED USE: For improved efficiency ratings for certain combinations of indoor and outdoor units. Refer to ARI Unitary Directory.
Required for use on all zoning systems.

17. Winter Start Control

An SPST delay relay which bypasses the low-pressure switch for approximately 3 minutes to permit start-up for cooling operation under low-load conditions.

SUGGESTED USE: All air conditioners where Low-Ambient Controller has been added.

SOUND POWER (A-wtd., non-pure tone corrected.)

UNIT SIZE-SERIES	SOUND LEVEL (dBA)	OCTAVE BAND CENTER FREQUENCY (Hz)						
		125	250	500	1000	2000	4000	8000
018-F	72	67.0	69.0	69.0	67.0	63.0	55.5	49.5
024-F	69	54.0	60.5	63.5	63.0	59.0	55.5	48.5
024-G	74	57.0	66.0	68.0	67.0	65.0	62.0	51.5
030-F	70	57.0	61.5	64.5	65.0	63.0	59.5	53.0
036-F, G	73	60.0	64.0	66.5	68.5	66.0	62.0	53.5
042-F	73	57.5	63.5	67.0	68.0	65.5	62.0	55.0
048-F	76	63.0	66.0	67.0	70.5	67.0	62.5	55.0
060-F	78	63.0	67.5	69.5	72.5	68.5	64.5	58.5

NOTE: Tested in accordance with ARI Standard 270.95. (Not listed with ARI.)

COMBINATION RATINGS

UNIT SIZE-SERIES	INDOOR UNIT	TOT. CAP. BTUH	FACTORY- SUPPLIED ENHANCE- MENT	SEER			EER	
				Standard Rating	Bryant Gas Furnace or Accessory TDR†	Accessory Puron TXV‡		
018-F	*CK5A/CK5BA024	17,500	NONE	—	12.00	12.00	10.80	
	CC5A/CD5AA018	17,200	NONE	—	11.50	11.50	10.45	
	CC5A/CD5AA024	17,500	NONE	—	12.00	12.00	10.70	
	CC5A/CD5AW024	17,500	NONE	—	12.00	12.00	10.70	
	CE3AA024	17,500	NONE	—	12.00	12.00	10.75	
	CF5AA024	17,500	NONE	—	12.00	12.00	10.75	
	CK3BA024	17,500	NONE	—	12.00	12.00	10.80	
	CK5A/CK5BA018	17,200	NONE	—	11.50	11.50	10.60	
	CK5A/CK5BW024	17,500	NONE	—	12.00	12.00	10.80	
	CK5PA018	17,200	TXV	—	11.50	—	10.60	
	CK5PA024	17,500	TXV	—	12.00	—	10.80	
	CK5PW024	17,500	TXV	—	12.00	—	10.80	
	F(A,B)4(A,B)N(F,C)018	17,200	TDR	11.70	—	11.70	10.60	
	F(A,B)4(A,B)N(F,C)024	17,500	TDR	12.00	—	12.00	10.90	
	FC4(B,C)NF024	17,600	TDR&TXV	12.00	—	—	10.90	
	FF1DNA018	17,200	TDR	12.00	—	12.00	10.90	
	FF1DNA024	17,500	TDR	12.00	—	12.00	10.75	
	FG3AAA024	17,500	NONE	—	11.70	11.70	10.60	
	FK4(C,D)NF001	17,600	TDR&TXV	13.00	—	—	12.20	
	FK4(C,D)NF002	18,000	TDR&TXV	13.50	—	—	12.25	
	FV4(A,B)NF002	18,000	TDR&TXV	13.50	—	—	12.25	
	FX4(A,B)NF018	17,600	TDR&TXV	12.00	—	—	10.90	
	COILS + 315(A,J)AV036070 VARIABLE-SPEED FURNACE							
		CC5A/CD5AA018	17,200	TDR	12.50	—	12.50	11.60
		CC5A/CD5AA024	17,500	TDR	13.00	—	13.00	11.85
		CC5A/CD5AW024	17,500	TDR	13.00	—	13.00	11.85
		CE3AA024	17,500	TDR	13.00	—	13.00	11.85
		CK3BA024	17,500	TDR	13.00	—	13.00	12.00
		CK5A/CK5BA018	17,200	TDR	13.00	—	13.00	11.75
		CK5A/CK5BA024	17,500	TDR	13.00	—	13.00	12.00
		CK5A/CK5BW024	17,500	TDR	13.00	—	13.00	12.00
		CK5PA018	17,200	TDR&TXV	13.00	—	—	11.55
		CK5PA024	17,500	TDR&TXV	13.00	—	—	11.90
		CK5PW024	17,500	TDR&TXV	13.00	—	—	11.90
	COILS + 355MAV042060 VARIABLE-SPEED FURNACE							
		CC5A/CD5AW024	17,500	TDR	13.00	—	13.00	11.75
	CE3AA024	17,500	TDR	13.00	—	13.00	11.80	
	CK5A/CK5BW024	17,500	TDR	13.00	—	13.00	11.90	
	CK5PW024	17,500	TDR&TXV	13.00	—	—	11.90	
024-F	*CK5A/CK5BA030	23,200	NONE	—	12.00	12.00	10.30	
	CC5A/CD5AA024	23,000	NONE	—	11.70	11.70	10.15	
	CC5A/CD5AA030	23,200	NONE	—	12.00	12.00	10.20	
	CC5A/CD5AW024	23,000	NONE	—	11.70	11.70	10.15	
	CC5A/CD5AW030	23,200	NONE	—	12.00	12.00	10.20	
	CE3AA024	23,000	NONE	—	12.00	12.00	10.25	
	CE3AA030	23,200	NONE	—	12.00	12.00	10.35	
	CF5AA024	23,000	NONE	—	11.70	11.70	10.20	
	CK3BA024	23,000	NONE	—	11.70	11.70	10.30	
	CK3BA030	23,200	NONE	—	12.00	12.00	10.30	
	CK5A/CK5BA024	23,000	NONE	—	11.70	11.70	10.30	
	CK5A/CK5BW024	23,000	NONE	—	11.70	11.70	10.30	
	CK5A/CK5BW030	23,200	NONE	—	12.00	12.00	10.30	
	CK5PA024	23,000	TXV	—	11.70	—	10.30	
	CK5PA030	23,200	TXV	—	12.00	—	10.30	
	CK5PW024	23,000	TXV	—	11.70	—	10.30	
	CK5PW030	23,200	TXV	—	12.00	—	10.30	
	F(A,B)4(A,B)N(F,C)024	23,200	TDR	12.00	—	12.00	10.35	
	F(A,B)4(A,B)N(F,C)030	23,600	TDR	12.20	—	12.20	10.50	
	FC4(B,C)NF024	23,200	TDR&TXV	12.00	—	—	10.30	
	FC4(B,C)NF030	23,600	TDR&TXV	12.20	—	—	10.40	
	FF1DNA024	23,000	TDR	11.70	—	11.70	10.20	
	FF1DNA030	23,600	TDR	12.00	—	12.00	10.35	
	FG3AAA024	22,800	NONE	—	11.70	11.70	10.05	
	FK4(C,D)NF001	23,400	TDR&TXV	13.00	—	—	11.35	
	FK4(C,D)NF002	23,600	TDR&TXV	13.50	—	—	11.45	
	FK4(C,D)NF003	23,600	TDR&TXV	13.50	—	—	11.65	
	FV4(A,B)NF002	23,600	TDR&TXV	13.50	—	—	11.45	
	FV4(A,B)NF003	23,600	TDR&TXV	13.70	—	—	11.65	
	FX4(A,B)NF030	23,600	TDR&TXV	12.20	—	—	10.55	
	COILS + 315(A,J)AV036070 VARIABLE-SPEED FURNACE							
		CC5A/CD5AA024	23,000	TDR	12.50	—	12.50	10.90
		CC5A/CD5AA030	23,200	TDR	13.00	—	13.00	11.15
		CC5A/CD5AW024	23,000	TDR	12.50	—	12.50	10.90
		CC5A/CD5AW030	23,200	TDR	13.00	—	13.00	11.15
		CE3AA024	23,000	TDR	12.50	—	12.50	11.00
	CE3AA030	23,200	TDR	13.00	—	13.00	11.15	
	CK3BA024	23,000	TDR	12.50	—	12.50	11.10	
	CK3BA030	23,200	TDR	13.00	—	13.00	11.20	
	CK5A/CK5BA024	23,000	TDR	12.50	—	12.50	11.10	
	CK5A/CK5BA030	23,200	TDR	13.00	—	13.00	11.20	
	CK5A/CK5BW024	23,000	TDR	12.50	—	12.50	11.10	

See notes on page 19.

COMBINATION RATINGS Continued

UNIT SIZE-SERIES	INDOOR UNIT	TOT. CAP. BTUH	FACTORY- SUPPLIED ENHANCE- MENT	SEER			EER	
				Standard Rating	Bryant Gas Furnace or Accessory TDR†	Accessory Puron TXV‡		
024-F	CK5A/CK5BW030	23,200	TDR	13.00	—	13.00	11.20	
	CK5PA024	23,000	TDR&TXV	12.50	—	—	11.10	
	CK5PA030	23,200	TDR&TXV	13.00	—	—	11.20	
	CK5PW024	23,000	TDR&TXV	12.50	—	—	11.10	
	CK5PW030	23,200	TDR&TXV	13.00	—	—	11.20	
	COILS + 355MAV042040 VARIABLE-SPEED FURNACE							
	CC5A/CD5AW030	23,200	TDR	13.00	—	13.00	11.05	
	CK5A/CK5BW030	23,200	TDR	13.00	—	13.00	11.10	
	CK5PW030	23,200	TDR&TXV	13.00	—	—	11.10	
	COILS + 355MAV042060 VARIABLE-SPEED FURNACE							
	CC5A/CD5AW024	23,000	TDR	12.50	—	12.50	10.85	
	CC5A/CD5AW030	23,200	TDR	13.00	—	13.00	11.00	
	CK3BA024	23,000	TDR	12.50	—	12.50	11.00	
	CK3BA030	23,200	TDR	13.00	—	13.00	11.10	
	CK5A/CK5BW024	23,000	TDR	12.50	—	12.50	11.00	
	CK5A/CK5BW030	23,200	TDR	13.00	—	13.00	11.10	
	CK5PW024	23,000	TDR&TXV	12.50	—	—	11.00	
	CK5PW030	23,200	TDR&TXV	13.00	—	—	11.10	
	COILS + 355MAV042080 VARIABLE-SPEED FURNACE							
	CC5A/CD5AW024	23,000	TDR	12.50	—	12.50	11.10	
	CC5A/CD5AW030	23,200	TDR	13.00	—	13.00	11.20	
	CK5A/CK5BW024	23,000	TDR	12.50	—	12.50	11.25	
	CK5A/CK5BW030	23,200	TDR	13.00	—	13.00	11.30	
	CK5PW024	23,000	TDR&TXV	12.50	—	—	11.25	
	CK5PW030	23,200	TDR&TXV	13.00	—	—	11.30	
	024-G	*CK5A/CK5BA030	23,000	NONE	—	12.00	12.00	10.70
		CC5A/CD5AA024	22,800	NONE	—	12.00	12.00	10.50
		CC5A/CD5AA030	23,000	NONE	—	12.00	12.00	10.60
		CC5A/CD5AW024	22,800	NONE	—	12.00	12.00	10.50
		CC5A/CD5AW030	23,000	NONE	—	12.00	12.00	10.60
CE3AA024		22,800	NONE	—	12.00	12.00	10.60	
CE3AA030		23,000	NONE	—	12.00	12.00	10.70	
CF5AA024		22,800	NONE	—	12.00	12.00	10.50	
CK3BA024		22,800	NONE	—	12.00	12.00	10.65	
CK3BA030		23,000	NONE	—	12.00	12.00	10.70	
CK5A/CK5BA024		22,800	NONE	—	12.00	12.00	10.65	
CK5A/CK5BW024		22,800	NONE	—	12.00	12.00	10.65	
CK5A/CK5BW030		23,000	NONE	—	12.00	12.00	10.70	
CK5PA024		22,800	TXV	—	12.00	—	10.65	
CK5PA030		23,000	TXV	—	12.00	—	10.70	
CK5PW024		22,800	TXV	—	12.00	—	10.65	
CK5PW030		23,000	TXV	—	12.00	—	10.70	
F(A,B)4BN(F,C)024		23,000	TDR	12.00	—	12.00	10.75	
F(A,B)4BN(F,C)030		23,400	TDR	12.00	—	12.00	10.85	
FC4CNF024		23,000	TDR&TXV	12.00	—	—	10.75	
FC4CNF030		23,400	TDR&TXV	12.00	—	—	10.85	
FF1DNA024		23,000	TDR	12.00	—	12.00	10.55	
FF1DNA030		23,400	TDR	12.00	—	12.00	10.70	
FF1DNE024		23,000	TDR&TXV	12.00	—	—	10.55	
FF1DNE030		23,400	TDR&TXV	12.00	—	—	10.70	
FG3AAA024		22,000	NONE	—	11.50	11.50	10.35	
FK4DNF001		23,000	TDR&TXV	13.50	—	—	11.90	
FK4DNF002		23,200	TDR&TXV	13.50	—	—	12.05	
FK4DNF003		23,600	TDR&TXV	14.00	—	—	12.25	
FV4BNF002		23,200	TDR&TXV	13.50	—	—	12.05	
FV4BNF003		23,600	TDR&TXV	14.00	—	—	12.25	
FX4BNF030		23,400	TDR&TXV	12.00	—	—	10.95	
COILS + 315(A,J)AV036070 VARIABLE-SPEED FURNACE								
CC5A/CD5AA024		22,200	TDR	13.00	—	13.00	11.40	
CC5A/CD5AA030		22,600	TDR	13.00	—	13.00	11.65	
CC5A/CD5AW024		22,200	TDR	13.00	—	13.00	11.50	
CC5A/CD5AW030		22,600	TDR	13.00	—	13.00	11.65	
CE3AA024		22,200	TDR	13.00	—	13.00	11.50	
CE3AA030		22,600	TDR	13.00	—	13.00	11.70	
CK3BA024		22,200	TDR	13.00	—	13.00	11.75	
CK3BA030		22,600	TDR	13.00	—	13.00	11.80	
CK5A/CK5BA024		22,200	TDR	13.00	—	13.00	11.60	
CK5A/CK5BA030		22,600	TDR	13.00	—	13.00	11.70	
CK5A/CK5BW024		22,200	TDR	13.00	—	13.00	11.60	
CK5A/CK5BW030		22,600	TDR	13.00	—	13.00	11.75	
CK5PA024		22,200	TDR&TXV	13.00	—	—	11.55	
CK5PA030		22,600	TDR&TXV	13.00	—	—	11.65	
CK5PW024		22,200	TDR&TXV	13.00	—	—	11.60	
CK5PW030		22,600	TDR&TXV	13.00	—	—	11.70	
COILS + 315(A,J)AV048090 VARIABLE-SPEED FURNACE								
CC5A/CD5AA024		22,200	TDR	13.00	—	13.00	11.50	
CC5A/CD5AA030		22,600	TDR	13.00	—	13.00	11.75	
CC5A/CD5AW024		22,200	TDR	13.00	—	13.00	11.60	
CC5A/CD5AW030		22,600	TDR	13.00	—	13.00	11.75	
CE3AA024		22,200	TDR	13.00	—	13.00	11.60	

See notes on page 19.

COMBINATION RATINGS Continued

UNIT SIZE-SERIES	INDOOR UNIT	TOT. CAP. BTUH	FACTORY- SUPPLIED ENHANCE- MENT	SEER			EER	
				Standard Rating	Bryant Gas Furnace or Accessory TDR†	Accessory Puron TXV‡		
024-G	CE3AA030	22,600	TDR	13.00	—	13.00	11.80	
	CK3BA024	22,200	TDR	13.00	—	13.00	11.85	
	CK3BA030	22,600	TDR	13.00	—	13.00	11.90	
	CK5A/CK5BA024	22,200	TDR	13.00	—	13.00	11.70	
	CK5A/CK5BA030	22,600	TDR	13.00	—	13.00	11.80	
	CK5A/CK5BW024	22,200	TDR	13.00	—	13.00	11.75	
	CK5A/CK5BW030	22,600	TDR	13.00	—	13.00	11.85	
	CK5PA024	22,200	TDR&TXV	13.00	—	—	11.70	
	CK5PA030	22,600	TDR&TXV	13.00	—	—	11.80	
	CK5PW024	22,200	TDR&TXV	13.00	—	—	11.70	
	CK5PW030	22,600	TDR&TXV	13.00	—	—	11.85	
	COILS + 315(A,J)AV060110 VARIABLE-SPEED FURNACE							
	CC5A/CD5AW024	22,200	TDR	13.00	—	13.00	11.50	
	CC5A/CD5AW030	22,600	TDR	13.00	—	13.00	11.70	
	CE3AA024	22,200	TDR	13.00	—	13.00	11.50	
	CE3AA030	22,600	TDR	13.00	—	13.00	11.75	
	CK3BA024	22,200	TDR	13.00	—	13.00	11.80	
	CK3BA030	22,600	TDR	13.00	—	13.00	11.85	
	CK5A/CK5BW024	22,200	TDR	13.00	—	13.00	11.65	
	CK5A/CK5BW030	22,600	TDR	13.00	—	13.00	11.80	
	CK5PW024	22,200	TDR&TXV	13.00	—	—	11.60	
	CK5PW030	22,600	TDR&TXV	13.00	—	—	11.75	
	COILS + 315(A,J)AV066135 VARIABLE-SPEED FURNACE							
	CE3AA024	22,200	TDR	13.00	—	13.00	11.50	
	CE3AA030	22,600	TDR	13.00	—	13.00	11.75	
	COILS + 315(A,J)AV066155 VARIABLE-SPEED FURNACE							
	CE3AA024	22,200	TDR	13.00	—	13.00	11.55	
	CE3AA030	22,600	TDR	13.00	—	13.00	11.80	
	COILS + 355MAV042040 VARIABLE-SPEED FURNACE							
	CE3AA024	22,200	TDR	13.00	—	13.00	11.45	
	CE3AA030	22,600	TDR	13.00	—	13.00	11.70	
	COILS + 355MAV042060 VARIABLE-SPEED FURNACE							
	CC5A/CD5AA024	22,200	TDR	13.00	—	13.00	11.45	
	CC5A/CD5AA030	22,600	TDR	13.00	—	13.00	11.65	
	CC5A/CD5AW024	22,200	TDR	13.00	—	13.00	11.50	
	CC5A/CD5AW030	22,600	TDR	13.00	—	13.00	11.65	
	CE3AA024	22,200	TDR	13.00	—	13.00	11.55	
	CE3AA030	22,600	TDR	13.00	—	13.00	11.75	
	CK3BA024	22,200	TDR	13.00	—	13.00	11.80	
	CK3BA030	22,600	TDR	13.00	—	13.00	11.85	
	CK5A/CK5BA024	22,200	TDR	13.00	—	13.00	11.65	
	CK5A/CK5BA030	22,600	TDR	13.00	—	13.00	11.75	
	CK5A/CK5BW024	22,200	TDR	13.00	—	13.00	11.65	
	CK5A/CK5BW030	22,600	TDR	13.00	—	13.00	11.80	
	CK5PA024	22,200	TDR&TXV	13.00	—	—	11.60	
	CK5PA030	22,600	TDR&TXV	13.00	—	—	11.70	
	CK5PW024	22,200	TDR&TXV	13.00	—	—	11.65	
	CK5PW030	22,600	TDR&TXV	13.00	—	—	11.75	
	COILS + 355MAV042080 VARIABLE-SPEED FURNACE							
	CC5A/CD5AW024	22,200	TDR	13.00	—	13.00	11.50	
	CC5A/CD5AW030	22,600	TDR	13.00	—	13.00	11.65	
	CE3AA024	22,200	TDR	13.00	—	13.00	11.50	
	CE3AA030	22,600	TDR	13.00	—	13.00	11.70	
	CK3BA024	22,200	TDR	13.00	—	13.00	11.75	
	CK3BA030	22,600	TDR	13.00	—	13.00	11.80	
	CK5A/CK5BW024	22,200	TDR	13.00	—	13.00	11.60	
	CK5A/CK5BW030	22,600	TDR	13.00	—	13.00	11.75	
	CK5PW024	22,200	TDR&TXV	13.00	—	—	11.60	
	CK5PW030	23,200	TDR&TXV	13.00	—	—	11.70	
	COILS + 355MAV060080 VARIABLE-SPEED FURNACE							
	CC5A/CD5AW024	22,200	TDR	13.00	—	13.00	11.50	
	CC5A/CD5AW030	22,600	TDR	13.00	—	13.00	11.65	
	CE3AA024	22,200	TDR	13.00	—	13.00	11.50	
	CE3AA030	22,600	TDR	13.00	—	13.00	11.75	
	CK3BA024	22,200	TDR	13.00	—	13.00	11.80	
	CK3BA030	22,600	TDR	13.00	—	13.00	11.80	
	CK5A/CK5BW024	22,200	TDR	13.00	—	13.00	11.65	
	CK5A/CK5BW030	22,600	TDR	13.00	—	13.00	11.75	
	CK5PW024	22,200	TDR&TXV	13.00	—	—	11.60	
	CK5PW030	22,600	TDR&TXV	13.00	—	—	11.75	
	COILS + 315(A,J)AV060100 VARIABLE-SPEED FURNACE							
	CC5A/CD5AW024	22,200	TDR	13.00	—	13.00	11.50	
	CC5A/CD5AW030	22,600	TDR	13.00	—	13.00	11.65	
	CE3AA024	22,200	TDR	13.00	—	13.00	11.55	
	CE3AA030	22,600	TDR	13.00	—	13.00	11.75	
	CK3BA024	22,200	TDR	13.00	—	13.00	11.80	
	CK3BA030	22,600	TDR	13.00	—	13.00	11.85	
	CK5A/CK5BW024	22,200	TDR	13.00	—	13.00	11.65	
	CK5A/CK5BW030	22,200	TDR	13.00	—	13.00	11.65	

See notes on page 19.

COMBINATION RATINGS Continued

UNIT SIZE-SERIES	INDOOR UNIT	TOT. CAP. BTUH	FACTORY- SUPPLIED ENHANCE- MENT	SEER			EER	
				Standard Rating	Bryant Gas Furnace or Accessory TDR†	Accessory Puron TXV‡		
024-G	CK5A/CK5BW030	22,600	TDR	13.00	—	13.00	11.80	
	CK5PW024	22,200	TDR&TXV	13.00	—	—	11.65	
	CK5PW030	22,600	TDR&TXV	13.00	—	—	11.75	
	COILS + 315(A,J)AV060120 VARIABLE-SPEED FURNACE							
	CE3AA024	22,200	TDR	13.00	—	13.00	11.45	
CE3AA030	22,600	TDR	13.00	—	13.00	11.70		
030-F	*CK5A/CK5BA036	29,000	NONE	—	12.00	12.00	10.65	
	CC5A/CD5AA030	28,000	NONE	—	11.70	11.70	10.30	
	CC5A/CD5AA036	29,000	NONE	—	12.00	12.00	10.60	
	CC5A/CD5AW030	28,000	NONE	—	11.70	11.70	10.30	
	CC5A/CD5AW036	29,000	NONE	—	12.00	12.00	10.60	
	CE3AA030	28,000	NONE	—	11.70	11.70	10.45	
	CE3AA036	28,200	NONE	—	12.00	12.00	10.50	
	CF5AA036	28,800	NONE	—	12.00	12.00	10.55	
	CK3BA030	28,000	NONE	—	11.70	11.70	10.35	
	CK3BA036	29,000	NONE	—	12.00	12.00	10.65	
	CK5A/CK5BA030	28,000	NONE	—	11.70	11.70	10.35	
	CK5A/CK5BT036	29,000	NONE	—	12.00	12.00	10.65	
	CK5A/CK5BW030	28,000	NONE	—	11.70	11.70	10.35	
	CK5A/CK5BW036	29,000	NONE	—	12.00	12.00	10.65	
	CK5PA030	28,000	TXV	—	11.70	—	10.35	
	CK5PA036	29,000	TXV	—	12.00	—	10.65	
	CK5PT036	29,000	TXV	—	12.00	—	10.65	
	CK5PW030	28,000	TXV	—	11.70	—	10.35	
	CK5PW036	29,000	TXV	—	12.00	—	10.65	
	F(A,B)4(A,B)N(F,C)030	28,200	TDR	12.00	—	12.00	10.50	
	F(A,B)4(A,B)N(F,C)036	28,400	TDR	12.00	—	12.00	10.35	
	FC4(B,C)NF030	27,800	TDR&TXV	11.70	—	—	10.45	
	FC4(B,C)NF036	28,000	TDR&TXV	12.00	—	—	10.30	
	FF1DNA030	28,400	TDR	12.00	—	12.00	10.45	
	FG3AAA036	28,200	NONE	—	12.00	12.00	10.45	
	FK4(C,D)NF001	28,000	TDR&TXV	13.00	—	—	11.40	
	FK4(C,D)NF002	28,400	TDR&TXV	13.00	—	—	11.45	
	FK4(C,D)NF003	28,400	TDR&TXV	13.50	—	—	11.80	
	FK4(C,D)NF005	29,200	TDR&TXV	14.00	—	—	12.15	
	FV4(A,B)NF002	28,400	TDR&TXV	13.20	—	—	11.45	
	FV4(A,B)NF003	28,800	TDR&TXV	13.70	—	—	11.80	
	FV4(A,B)NF005	29,200	TDR&TXV	14.00	—	—	12.15	
	FX4(A,B)NF030	27,800	TDR&TXV	12.00	—	—	10.60	
	FX4(A,B)NF036	28,000	TDR&TXV	12.00	—	—	10.40	
	COILS + 315(A,J)AV036070 VARIABLE-SPEED FURNACE							
	030-F	CC5A/CD5AA030	27,800	TDR	12.50	—	12.50	11.10
		CC5A/CD5AA036	28,800	TDR	13.00	—	13.00	11.45
		CC5A/CD5AW030	27,800	TDR	12.50	—	12.50	11.10
		CE3AA030	28,200	TDR	12.50	—	12.50	11.20
		CE3AA036	28,000	TDR	12.50	—	12.50	11.30
		CK3BA030	27,800	TDR	12.50	—	12.50	11.15
		CK3BA036	28,800	TDR	13.00	—	13.00	11.50
		CK5A/CK5BA030	27,800	TDR	12.50	—	12.50	11.15
		CK5A/CK5BA036	28,800	TDR	13.00	—	13.00	11.50
		CK5A/CK5BT036	28,800	TDR	13.00	—	13.00	11.50
		CK5A/CK5BW030	27,800	TDR	12.50	—	12.50	11.15
		CK5PA030	28,000	TDR&TXV	12.50	—	—	11.10
		CK5PA036	28,800	TDR&TXV	13.00	—	—	11.50
		CK5PT036	28,800	TDR&TXV	13.00	—	—	11.50
		CK5PW030	28,000	TDR&TXV	12.50	—	—	11.10
		COILS + 315(A,J)AV048090 VARIABLE-SPEED FURNACE						
		030-F	CC5A/CD5AA030	27,800	TDR	12.50	—	12.50
CC5A/CD5AA036			28,800	TDR	13.00	—	13.00	11.60
CC5A/CD5AW030			27,800	TDR	12.50	—	12.50	11.25
CC5A/CD5AW036			28,800	TDR	13.00	—	13.00	11.60
CE3AA030	28,200		TDR	12.50	—	12.50	11.35	
CE3AA036	28,600		TDR	13.00	—	13.00	11.50	
CK3BA030	27,800		TDR	12.50	—	12.50	11.30	
CK3BA036	29,000		TDR	13.00	—	13.00	11.65	
CK5A/CK5BA030	27,800		TDR	12.50	—	12.50	11.30	
CK5A/CK5BA036	29,000		TDR	13.00	—	13.00	11.65	
CK5A/CK5BW030	27,800		TDR	12.50	—	12.50	11.30	
CK5A/CK5BW036	29,000		TDR	13.00	—	13.00	11.65	
CK5PA030	28,200		TDR&TXV	12.50	—	—	11.25	
CK5PA036	29,000		TDR&TXV	13.00	—	—	11.65	
CK5PT036	29,000		TDR&TXV	13.00	—	—	11.65	
CK5PW030	28,200		TDR&TXV	12.50	—	—	11.25	
CK5PW036	29,000		TDR&TXV	13.00	—	—	11.65	
COILS + 355MAV042040 VARIABLE-SPEED FURNACE								
030-F	CC5A/CD5AW030		28,000	TDR	12.50	—	12.50	10.80
	CC5A/CD5AW036		29,000	TDR	13.00	—	13.00	11.30
	CK5A/CK5BW030	28,000	TDR	12.50	—	12.50	11.20	
	CK5A/CK5BW036	29,000	TDR	13.00	—	13.00	11.60	
	CK5PW030	28,000	TDR&TXV	12.50	—	—	11.20	

See notes on page 19.

COMBINATION RATINGS Continued

UNIT SIZE-SERIES	INDOOR UNIT	TOT. CAP. BTUH	FACTORY- SUPPLIED ENHANCE- MENT	SEER			EER	
				Standard Rating	Bryant Gas Furnace or Accessory TDR†	Accessory Puron TXV‡		
030-F	CK5PW036	29,000	TDR&TXV	13.00	—	—	11.60	
	COILS + 355MAV042060 VARIABLE-SPEED FURNACE							
	CC5A/CD5AA036	29,000	TDR	13.00	—	13.00	11.25	
	CC5A/CD5AW030	28,000	TDR	12.50	—	12.50	10.80	
	CK3BA030	28,000	TDR	12.50	—	12.50	10.85	
	CK3BA036	29,000	TDR	13.00	—	13.00	11.30	
	CK5A/CK5BA036	29,000	TDR	13.00	—	13.00	11.30	
	CK5A/CK5BW030	28,000	TDR	12.50	—	12.50	11.20	
	CK5PA036	29,000	TDR&TXV	13.00	—	—	11.30	
	CK5PW030	28,000	TDR&TXV	12.50	—	—	11.20	
	COILS + 355MAV042080 VARIABLE-SPEED FURNACE							
	CC5A/CD5AW030	28,000	TDR	12.50	—	12.50	10.75	
	CC5A/CD5AW036	29,000	TDR	13.00	—	13.00	11.40	
	CK5A/CK5BW030	28,000	TDR	12.50	—	12.50	11.20	
	CK5A/CK5BW036	29,000	TDR	13.00	—	13.00	11.60	
	CK5PW030	28,000	TDR&TXV	12.50	—	—	11.20	
	CK5PW036	29,000	TDR&TXV	13.00	—	—	11.60	
	COILS + 355MAV060080 VARIABLE-SPEED FURNACE							
	CC5A/CD5AW030	28,000	TDR	12.50	—	12.50	10.75	
	CC5A/CD5AW036	29,000	TDR	13.00	—	13.00	11.25	
	CK5A/CK5BW030	28,000	TDR	12.50	—	12.50	11.20	
	CK5A/CK5BW036	29,000	TDR	13.00	—	13.00	11.60	
	CK5PW030	28,000	TDR&TXV	12.50	—	—	11.20	
	CK5PW036	29,000	TDR&TXV	13.00	—	—	11.60	
	COILS + 355MAV060100 VARIABLE-SPEED FURNACE							
	CC5A/CD5AW030	28,000	TDR	12.50	—	12.50	11.15	
	CC5A/CD5AW036	29,000	TDR	13.50	—	13.50	11.60	
	CK5A/CK5BW030	28,000	TDR	12.50	—	12.50	11.20	
	CK5A/CK5BW036	29,000	TDR	13.00	—	13.00	11.60	
	CK5PW030	28,000	TDR&TXV	12.50	—	—	11.20	
	CK5PW036	29,000	TDR&TXV	13.00	—	—	11.60	
	COILS + 355MAV060120 VARIABLE-SPEED FURNACE							
	CC5A/CD5AW036	29,000	TDR	13.00	—	13.00	11.55	
	CK5A/CK5BW036	29,000	TDR	13.00	—	13.00	11.60	
	CK5PW036	29,000	TDR&TXV	13.00	—	—	11.60	
	036-F, G	*CK5A/CK5BA042	35,000	NONE	—	12.00	12.00	10.55
		CC5A/CD5AA036	35,000	NONE	—	12.00	12.00	10.55
		CC5A/CD5AA042	35,000	NONE	—	12.00	12.00	10.55
		CC5A/CD5AW036	35,000	NONE	—	12.00	12.00	10.55
		CC5A/CD5AW042	34,800	NONE	—	12.00	12.00	10.45
		CE3AA036	34,600	NONE	—	11.70	11.70	10.45
		CE3AA042	35,000	NONE	—	12.00	12.00	10.60
		CF5AA036	34,800	NONE	—	12.00	12.00	10.50
		CK3BA036	35,000	NONE	—	12.00	12.00	10.55
		CK3BA042	35,000	NONE	—	12.00	12.00	10.55
		CK5A/CK5BA036	35,000	NONE	—	12.00	12.00	10.55
		CK5A/CK5BT036	35,000	NONE	—	12.00	12.00	10.55
		CK5A/CK5BT042	35,000	NONE	—	12.00	12.00	10.55
CK5A/CK5BW036		35,000	NONE	—	12.00	12.00	10.55	
CK5PA036		35,000	TXV	—	12.00	—	10.55	
CK5PA042		35,000	TXV	—	12.00	—	10.55	
CK5PT036		35,000	TXV	—	12.00	—	10.55	
CK5PT042		35,000	TXV	—	12.00	—	10.55	
CK5PW036		35,000	TXV	—	12.00	—	10.55	
F(A,B)4(A,B)N(F,B,C)042		35,000	TDR	12.00	—	12.00	10.50	
F(A,B)4(A,B)N(F,C)036		34,000	TDR	11.50	—	11.50	10.25	
FC4(B,C)N(F,B)042		34,000	TDR&TXV	12.00	—	—	10.45	
FC4(B,C)NB054		35,000	TDR&TXV	12.50	—	—	11.10	
FC4(B,C)NF036		33,600	TDR&TXV	11.50	—	—	10.15	
FG3AAA036		34,000	NONE	—	11.50	11.50	10.35	
FK4(C,D)NB006		35,400	TDR&TXV	14.00	—	—	12.25	
FK4(C,D)NF001		33,800	TDR&TXV	12.50	—	—	10.95	
FK4(C,D)NF002		34,000	TDR&TXV	12.50	—	—	11.05	
FK4(C,D)NF003		34,200	TDR&TXV	13.00	—	—	11.50	
FK4(C,D)NF005		35,000	TDR&TXV	13.50	—	—	11.95	
FV4(A,B)NB006		35,800	TDR&TXV	14.00	—	—	12.25	
FV4(A,B)NF002		34,000	TDR&TXV	12.60	—	—	11.00	
FV4(A,B)NF003		34,200	TDR&TXV	13.00	—	—	11.50	
FV4(A,B)NF005		35,000	TDR&TXV	13.70	—	—	11.95	
FX4(A,B)NF036		34,000	TDR&TXV	11.60	—	—	10.30	
FX4(A,B)NF042		34,000	TDR&TXV	12.10	—	—	10.60	
COILS + 315(A,J)AV036070 VARIABLE-SPEED FURNACE								
CC5A/CD5AA036		34,600	TDR	12.50	—	12.50	11.10	
CE3AA036		34,200	TDR	12.50	—	12.50	11.00	
CE3AA042		34,600	TDR	12.50	—	12.50	11.25	
CK3BA036		34,600	TDR	12.50	—	12.50	11.15	
CK5A/CK5BA036		34,600	TDR	12.50	—	12.50	11.15	
CK5A/CK5BE042		34,600	TDR	12.50	—	12.50	11.30	

See notes on page 19.

COMBINATION RATINGS Continued

UNIT SIZE-SERIES	INDOOR UNIT	TOT. CAP. BTUH	FACTORY- SUPPLIED ENHANCE- MENT	SEER			EER	
				Standard Rating	Bryant Gas Furnace or Accessory TDR†	Accessory Puron TXV‡		
036-F, G	CK5A/CK5BT036	34,600	TDR	12.50	—	12.50	11.15	
	CK5PA036	34,600	TDR&TXV	12.50	—	—	11.15	
	CK5PE042	34,600	TDR&TXV	12.50	—	—	11.25	
	CK5PT036	34,600	TDR&TXV	12.50	—	—	11.15	
	COILS + 315(A,J)AV048090 VARIABLE-SPEED FURNACE							
	CC5A/CD5AA036	34,600	TDR	12.50	—	12.50	11.30	
	CC5A/CD5AA042	34,600	TDR	13.00	—	13.00	11.40	
	CC5A/CD5AW036	34,600	TDR	12.50	—	12.50	11.30	
	CE3AA036	34,200	TDR	12.50	—	12.50	11.20	
	CE3AA042	34,600	TDR	13.00	—	13.00	11.40	
	CK3BA036	34,600	TDR	12.50	—	12.50	11.35	
	CK3BA042	34,600	TDR	13.00	—	13.00	11.40	
	CK5A/CK5BA036	34,600	TDR	12.50	—	12.50	11.35	
	CK5A/CK5BA042	34,600	TDR	13.00	—	13.00	11.40	
	CK5A/CK5BE042	34,600	TDR	13.00	—	13.00	11.45	
	CK5A/CK5BT036	34,600	TDR	12.50	—	12.50	11.35	
	CK5A/CK5BT042	34,600	TDR	13.00	—	13.00	11.40	
	CK5A/CK5BW036	34,600	TDR	12.50	—	12.50	11.35	
	CK5PA036	34,600	TDR&TXV	12.50	—	—	11.30	
	CK5PA042	34,600	TDR&TXV	13.00	—	—	11.35	
	CK5PE042	34,600	TDR&TXV	13.00	—	—	11.45	
	CK5PT036	34,600	TDR&TXV	12.50	—	—	11.30	
	CK5PT042	34,600	TDR&TXV	13.00	—	—	11.35	
	CK5PW036	34,600	TDR&TXV	12.50	—	—	11.30	
	COILS + 315(A,J)AV066110 VARIABLE-SPEED FURNACE							
	CC5A/CD5AA036	34,600	TDR	13.00	—	13.00	11.35	
	CC5A/CD5AA042	34,600	TDR	13.00	—	13.00	11.50	
	CC5A/CD5AW036	34,600	TDR	13.00	—	13.00	11.35	
	CC5A/CD5AW042	34,400	TDR	13.00	—	13.00	11.45	
	CE3AA036	34,200	TDR	12.50	—	12.50	11.30	
	CE3AA042	34,600	TDR	13.00	—	13.00	11.50	
	CK3BA036	34,600	TDR	13.00	—	13.00	11.45	
	CK3BA042	34,600	TDR	13.00	—	13.00	11.50	
	CK5A/CK5BA036	34,600	TDR	13.00	—	13.00	11.45	
	CK5A/CK5BA042	34,600	TDR	13.00	—	13.00	11.50	
	CK5A/CK5BT036	34,600	TDR	13.00	—	13.00	11.45	
	CK5A/CK5BT042	34,600	TDR	13.00	—	13.00	11.50	
	CK5A/CK5BW036	34,600	TDR	13.00	—	13.00	11.45	
	CK5PA036	34,600	TDR&TXV	13.00	—	—	11.40	
	CK5PA042	34,600	TDR&TXV	13.00	—	—	11.45	
	CK5PT036	34,600	TDR&TXV	13.00	—	—	11.40	
	CK5PT042	34,600	TDR&TXV	13.00	—	—	11.45	
	CK5PW036	34,600	TDR&TXV	13.00	—	—	11.40	
	COILS + 315(A,J)AV066135 VARIABLE-SPEED FURNACE							
	CC5A/CD5AA042	34,600	TDR	13.00	—	13.00	11.45	
	CC5A/CD5AW036	34,600	TDR	13.00	—	13.00	11.30	
	CC5A/CD5AW042	34,400	TDR	13.00	—	13.00	11.40	
	CE3AA036	34,200	TDR	12.50	—	12.50	11.20	
	CE3AA042	34,600	TDR	13.00	—	13.00	11.45	
	CK3BA042	34,600	TDR	13.00	—	13.00	11.45	
	CK5A/CK5BA042	34,600	TDR	13.00	—	13.00	11.45	
	CK5A/CK5BT042	34,600	TDR	13.00	—	13.00	11.45	
	CK5A/CK5BW036	34,600	TDR	13.00	—	13.00	11.35	
	CK5PA042	34,600	TDR&TXV	13.00	—	—	11.40	
	CK5PT042	34,600	TDR&TXV	13.00	—	—	11.40	
	CK5PW036	34,600	TDR&TXV	13.00	—	—	11.35	
	COILS + 315(A,J)AV066155 VARIABLE-SPEED FURNACE							
	CC5A/CD5AA042	34,600	TDR	13.00	—	13.00	11.55	
	CC5A/CD5AW036	34,600	TDR	13.00	—	13.00	11.35	
	CC5A/CD5AW042	34,400	TDR	13.00	—	13.00	11.50	
	CE3AA036	34,200	TDR	12.50	—	12.50	11.25	
	CE3AA042	34,600	TDR	13.00	—	13.00	11.55	
	CK3BA042	34,600	TDR	13.00	—	13.00	11.55	
	CK5A/CK5BA042	34,600	TDR	13.00	—	13.00	11.55	
	CK5A/CK5BT042	34,600	TDR	13.00	—	13.00	11.55	
	CK5A/CK5BW036	34,600	TDR	13.00	—	13.00	11.40	
	CK5PA042	34,600	TDR&TXV	13.00	—	—	11.50	
	CK5PT042	34,600	TDR&TXV	13.00	—	—	11.50	
	CK5PW036	34,600	TDR&TXV	13.00	—	—	11.40	
	COILS + 355MAV042040 VARIABLE-SPEED FURNACE							
	CC5A/CD5AA042	34,600	TDR	12.50	—	12.50	11.20	
	CC5A/CD5AW036	34,600	TDR	12.50	—	12.50	11.10	
	CK5A/CK5BA042	34,600	TDR	12.50	—	12.50	11.25	
	CK5A/CK5BW036	34,600	TDR	12.50	—	12.50	11.15	
	CK5PA042	34,600	TDR&TXV	12.50	—	—	11.25	
	CK5PW036	34,600	TDR&TXV	12.50	—	—	11.15	
	COILS + 355MAV042060 VARIABLE-SPEED FURNACE							
	CC5A/CD5AA036	34,600	TDR	12.50	—	12.50	11.10	
	CK3BA036	34,600	TDR	12.50	—	12.50	11.15	

See notes on page 19.

COMBINATION RATINGS Continued

UNIT SIZE-SERIES	INDOOR UNIT	TOT. CAP. BTUH	FACTORY- SUPPLIED ENHANCE- MENT	SEER			EER	
				Standard Rating	Bryant Gas Furnace or Accessory TDR†	Accessory Puron TXV‡		
036-F, G	CK3BA042	34,600	TDR	12.50	—	12.50	11.20	
	CK5A/CK5BA036	34,600	TDR	12.50	—	12.50	11.15	
	CK5PA036	34,600	TDR&TXV	12.50	—	—	11.15	
	COILS + 355MAV042080 VARIABLE-SPEED FURNACE							
	CC5A/CD5AA042	34,600	TDR	12.50	—	12.50	11.25	
	CC5A/CD5AW036	34,600	TDR	12.50	—	12.50	11.20	
	CK3BA042	34,600	TDR	12.50	—	12.50	11.25	
	CK5A/CK5BA042	34,600	TDR	12.50	—	12.50	11.30	
	CK5A/CK5BW036	34,600	TDR	12.50	—	12.50	11.25	
	CK5PA042	34,600	TDR&TXV	12.50	—	—	11.30	
	CK5PW036	34,600	TDR&TXV	12.50	—	—	11.25	
	COILS + 355MAV060080 VARIABLE-SPEED FURNACE							
	CC5A/CD5AA042	34,600	TDR	12.50	—	12.50	11.15	
	CC5A/CD5AW036	34,600	TDR	12.50	—	12.50	11.10	
	CK3BA042	34,600	TDR	12.50	—	12.50	11.20	
	CK5A/CK5BA042	34,600	TDR	12.50	—	12.50	11.20	
	CK5A/CK5BW036	34,600	TDR	12.50	—	12.50	11.15	
	CK5PA042	34,600	TDR&TXV	12.50	—	—	11.20	
	CK5PW036	34,600	TDR&TXV	12.50	—	—	11.15	
	COILS + 355MAV060100 VARIABLE-SPEED FURNACE							
	CC5A/CD5AA042	34,600	TDR	13.00	—	13.00	11.40	
	CC5A/CD5AW036	34,600	TDR	13.00	—	13.00	11.40	
	CK3BA042	34,600	TDR	13.00	—	13.00	11.40	
	CK5A/CK5BA042	34,600	TDR	13.00	—	13.00	11.45	
	CK5A/CK5BW036	34,600	TDR	13.00	—	13.00	11.40	
	CK5PA042	34,600	TDR&TXV	13.00	—	—	11.45	
	CK5PW036	34,600	TDR&TXV	13.00	—	—	11.40	
	COILS + 355MAV060120 VARIABLE-SPEED FURNACE							
	CC5A/CD5AA042	34,600	TDR	13.00	—	13.00	11.40	
	CC5A/CD5AW036	34,600	TDR	13.00	—	13.00	11.35	
	CK5A/CK5BA042	34,600	TDR	13.00	—	13.00	11.45	
	CK5A/CK5BW036	34,600	TDR	13.00	—	13.00	11.35	
	CK5PA042	34,600	TDR&TXV	13.00	—	—	11.45	
	CK5PW036	34,600	TDR&TXV	13.00	—	—	11.35	
	042-F	*CK5A/CK5BA048	40,000	NONE	—	12.00	12.00	10.25
		CC5A/CD5AC048	39,500	NONE	—	11.70	11.70	10.10
		CC5A/CD5AW042	39,500	NONE	—	11.70	11.70	10.10
		CC5A/CD5AW048	40,000	NONE	—	12.00	12.00	10.20
		CD5AA048	40,000	NONE	—	12.00	12.00	10.25
		CE3AA042	39,500	NONE	—	12.00	12.00	10.25
		CE3AA048	40,000	NONE	—	12.00	12.00	10.30
		CF5AA048	39,500	NONE	—	12.00	12.00	10.25
		CK3BA042	39,500	NONE	—	11.70	11.70	10.20
		CK3BA048	40,000	NONE	—	12.00	12.00	10.25
		CK5A/CK5BA042	39,500	NONE	—	11.70	11.70	10.20
		CK5A/CK5BT042	39,500	NONE	—	11.70	11.70	10.20
		CK5A/CK5BT048	40,000	NONE	—	12.00	12.00	10.25
		CK5A/CK5BW048	40,000	NONE	—	12.00	12.00	10.25
CK5PA042		39,500	TXV	—	11.70	—	10.20	
CK5PA048		40,000	TXV	—	12.00	—	10.25	
CK5PT042		39,500	TXV	—	11.70	—	10.20	
CK5PT048		40,000	TXV	—	12.00	—	10.25	
CK5PW048		40,000	TXV	—	12.00	—	10.25	
F(A,B)4(A,B)N(F,B,C)042		39,500	TDR	11.70	—	11.70	10.05	
F(A,B)4(A,B)N(F,B,C)048		40,000	TDR	12.00	—	12.00	10.25	
FC4(B,C)N(F,B)042		38,500	TDR&TXV	11.50	—	—	9.90	
FC4(B,C)N(F,B)048		39,500	TDR&TXV	11.70	—	—	10.05	
FC4(B,C)NB054		40,500	TDR&TXV	12.20	—	—	10.65	
FG3AAA048		40,000	NONE	—	11.70	11.70	10.20	
FK4(C,D)NB006		40,500	TDR&TXV	13.50	—	—	11.60	
FK4(C,D)NF003		38,500	TDR&TXV	12.50	—	—	10.85	
FK4(C,D)NF005		40,000	TDR&TXV	13.00	—	—	11.30	
FV4(A,B)NB006		40,500	TDR&TXV	13.70	—	—	11.60	
FV4(A,B)NF003		38,500	TDR&TXV	12.70	—	—	10.85	
FV4(A,B)NF005		40,500	TDR&TXV	13.20	—	—	11.30	
FX4(A,B)NF042		38,500	TDR&TXV	11.70	—	—	10.05	
FX4(A,B)NF048		39,500	TDR&TXV	12.00	—	—	10.20	
COILS + 315(A,J)AV048090 VARIABLE-SPEED FURNACE								
CC5A/CD5AA042		39,000	TDR	12.50	—	12.50	10.85	
CC5A/CD5AC048		39,000	TDR	12.50	—	12.50	10.85	
CD5AA048		39,500	TDR	12.50	—	12.50	11.00	
CE3AA042		39,000	TDR	12.20	—	12.20	10.90	
CE3AA048		39,500	TDR	12.50	—	12.50	10.95	
CK3BA042		39,000	TDR	12.50	—	12.50	10.85	
CK3BA048		39,500	TDR	12.50	—	12.50	10.95	
CK5A/CK5BA042		39,000	TDR	12.50	—	12.50	10.85	
CK5A/CK5BA048		39,500	TDR	12.50	—	12.50	10.95	
CK5A/CK5BE042		39,500	TDR	12.50	—	12.50	10.90	
CK5A/CK5BT042		39,000	TDR	12.50	—	12.50	10.85	
CK5A/CK5BT048		39,500	TDR	12.50	—	12.50	10.95	

See notes on page 19.

COMBINATION RATINGS Continued

UNIT SIZE-SERIES	INDOOR UNIT	TOT. CAP. BTUH	FACTORY- SUPPLIED ENHANCE- MENT	SEER			EER	
				Standard Rating	Bryant Gas Furnace or Accessory TDR†	Accessory Puron TXV‡		
042-F	CK5PA042	39,000	TDR&TXV	12.50	—	—	10.85	
	CK5PA048	39,500	TDR&TXV	12.50	—	—	10.95	
	CK5PE042	39,500	TDR&TXV	12.50	—	—	10.90	
	CK5PT042	39,000	TDR&TXV	12.50	—	—	10.85	
	CK5PT048	39,500	TDR&TXV	12.50	—	—	10.95	
	COILS + 315(A,J)AV066110 VARIABLE-SPEED FURNACE							
	CC5A/CD5AA042	39,000	TDR	12.50	—	12.50	10.95	
	CC5A/CD5AC048	39,000	TDR	12.50	—	12.50	11.00	
	CC5A/CD5AW042	39,000	TDR	12.50	—	12.50	10.85	
	CC5A/CD5AW048	39,500	TDR	13.00	—	13.00	11.10	
	CD5AA048	39,500	TDR	12.50	—	12.50	11.10	
	CE3AA042	39,000	TDR	12.50	—	12.50	11.00	
	CE3AA048	39,500	TDR	12.50	—	12.50	11.05	
	CK3BA042	39,000	TDR	12.50	—	12.50	10.95	
	CK3BA048	39,500	TDR	12.50	—	12.50	11.10	
	CK5A/CK5BA042	39,000	TDR	12.50	—	12.50	10.95	
	CK5A/CK5BA048	39,500	TDR	12.50	—	12.50	11.10	
	CK5A/CK5BT042	39,000	TDR	12.50	—	12.50	10.95	
	CK5A/CK5BT048	39,500	TDR	12.50	—	12.50	11.10	
	CK5A/CK5BW048	39,500	TDR	13.00	—	13.00	11.10	
	CK5PA042	39,000	TDR&TXV	12.50	—	—	11.00	
	CK5PA048	39,500	TDR&TXV	12.50	—	—	11.10	
	CK5PT042	39,000	TDR&TXV	12.50	—	—	11.00	
	CK5PT048	39,500	TDR&TXV	12.50	—	—	11.10	
	CK5PW048	39,500	TDR&TXV	13.00	—	—	11.10	
	COILS + 315(A,J)AV066135 VARIABLE-SPEED FURNACE							
	CC5A/CD5AA042	39,000	TDR	12.50	—	12.50	10.95	
	CC5A/CD5AC048	39,000	TDR	12.50	—	12.50	11.00	
	CC5A/CD5AW042	39,000	TDR	12.50	—	12.50	10.85	
	CC5A/CD5AW048	39,500	TDR	13.00	—	13.00	11.10	
	CD5AA048	39,500	TDR	12.50	—	12.50	11.10	
	CE3AA042	39,000	TDR	12.50	—	12.50	11.00	
	CE3AA048	39,500	TDR	12.50	—	12.50	11.05	
	CK3BA042	39,000	TDR	12.50	—	12.50	10.95	
	CK3BA048	39,500	TDR	12.50	—	12.50	11.10	
	CK5A/CK5BA042	39,000	TDR	12.50	—	12.50	10.95	
	CK5A/CK5BA048	39,500	TDR	12.50	—	12.50	11.10	
	CK5A/CK5BT042	39,000	TDR	12.50	—	12.50	10.95	
	CK5A/CK5BT048	39,500	TDR	12.50	—	12.50	11.10	
	CK5A/CK5BW048	39,500	TDR	13.00	—	13.00	11.10	
	CK5PA042	39,000	TDR&TXV	12.50	—	—	11.00	
	CK5PA048	39,500	TDR&TXV	12.50	—	—	11.10	
	CK5PT042	39,000	TDR&TXV	12.50	—	—	11.00	
	CK5PT048	39,500	TDR&TXV	12.50	—	—	11.10	
	CK5PW048	39,500	TDR&TXV	13.00	—	—	11.10	
	COILS + 315(A,J)AV066155 VARIABLE-SPEED FURNACE							
	CC5A/CD5AA042	39,000	TDR	12.50	—	12.50	11.00	
	CC5A/CD5AC048	39,000	TDR	12.50	—	12.50	11.05	
	CC5A/CD5AW042	39,000	TDR	12.50	—	12.50	10.90	
	CC5A/CD5AW048	39,500	TDR	13.00	—	13.00	11.15	
	CD5AA048	39,500	TDR	12.50	—	12.50	11.15	
	CE3AA042	39,000	TDR	12.50	—	12.50	11.05	
	CE3AA048	39,500	TDR	12.50	—	12.50	11.10	
	CK3BA042	39,000	TDR	12.50	—	12.50	11.00	
	CK3BA048	39,500	TDR	12.50	—	12.50	11.15	
	CK5A/CK5BA042	39,000	TDR	12.50	—	12.50	11.00	
	CK5A/CK5BA048	39,500	TDR	12.50	—	12.50	11.15	
	CK5A/CK5BT042	39,000	TDR	12.50	—	12.50	11.00	
	CK5A/CK5BT048	39,500	TDR	12.50	—	12.50	11.15	
	CK5A/CK5BW048	39,500	TDR	13.00	—	13.00	11.15	
	CK5PA042	39,000	TDR&TXV	12.50	—	—	11.00	
	CK5PA048	39,500	TDR&TXV	12.50	—	—	11.15	
	CK5PT042	39,000	TDR&TXV	12.50	—	—	11.00	
	CK5PT048	39,500	TDR&TXV	12.50	—	—	11.15	
	CK5PW048	39,500	TDR&TXV	13.00	—	—	11.15	
	COILS + 355MAV042040 VARIABLE-SPEED FURNACE							
	CC5A/CD5AA042	39,000	TDR	12.20	—	12.20	10.60	
	CC5A/CD5AW048	39,500	TDR	12.50	—	12.50	10.65	
	CK5A/CK5BA042	39,000	TDR	12.20	—	12.20	10.60	
	CK5A/CK5BW048	39,500	TDR	12.50	—	12.50	10.75	
	CK5PA042	39,000	TDR&TXV	12.20	—	—	10.60	
	CK5PW048	39,500	TDR&TXV	12.50	—	—	10.75	
	COILS + 355MAV042060 VARIABLE-SPEED FURNACE							
	CK3BA042	39,000	TDR	12.50	—	12.50	10.60	
	CK5A/CK5BE042	39,500	TDR	12.45	—	12.45	10.55	
	CK5PE042	39,500	TDR&TXV	12.45	—	—	10.55	
	COILS + 355MAV042080 VARIABLE-SPEED FURNACE							
	CC5A/CD5AA042	39,000	TDR	12.50	—	12.50	10.70	

See notes on page 19.

COMBINATION RATINGS Continued

UNIT SIZE-SERIES	INDOOR UNIT	TOT. CAP. BTUH	FACTORY- SUPPLIED ENHANCE- MENT	SEER			EER	
				Standard Rating	Bryant Gas Furnace or Accessory TDR†	Accessory Puron TXV‡		
042-F	CC5A/CD5AC048	39,000	TDR	12.50	—	12.50	10.65	
	CD5AA048	39,500	TDR	12.50	—	12.50	10.80	
	CK3BA042	39,000	TDR	12.50	—	12.50	10.75	
	CK3BA048	39,500	TDR	12.50	—	12.50	10.85	
	CK5A/CK5BA042	39,000	TDR	12.50	—	12.50	10.75	
	CK5A/CK5BA048	39,500	TDR	12.50	—	12.50	10.85	
	CK5PA042	39,000	TDR&TXV	12.50	—	—	10.75	
	CK5PA048	39,500	TDR&TXV	12.50	—	—	10.85	
	COILS + 355MAV060080 VARIABLE-SPEED FURNACE							
		CC5A/CD5AA042	39,000	TDR	12.20	—	12.20	10.60
		CC5A/CD5AC048	39,000	TDR	12.20	—	12.20	10.50
		CD5AA048	39,500	TDR	12.50	—	12.50	10.65
		CK3BA042	39,000	TDR	12.20	—	12.20	10.60
		CK3BA048	39,500	TDR	12.50	—	12.50	10.75
		CK5A/CK5BA042	39,000	TDR	12.20	—	12.20	10.60
		CK5A/CK5BA048	39,500	TDR	12.50	—	12.50	10.75
		CK5PA042	39,000	TDR&TXV	12.20	—	—	10.60
		CK5PA048	39,500	TDR&TXV	12.50	—	—	10.75
	COILS + 355MAV060100 VARIABLE-SPEED FURNACE							
		CC5A/CD5AA042	39,000	TDR	12.50	—	12.50	10.90
		CC5A/CD5AC048	39,000	TDR	12.50	—	12.50	10.80
		CD5AA048	39,500	TDR	12.50	—	12.50	10.95
		CK3BA042	39,000	TDR	12.50	—	12.50	10.90
		CK3BA048	39,500	TDR	12.50	—	12.50	11.05
		CK5A/CK5BA042	39,000	TDR	12.50	—	12.50	10.90
		CK5A/CK5BA048	39,500	TDR	13.00	—	13.00	11.05
		CK5PA042	39,000	TDR&TXV	12.50	—	—	10.90
		CK5PA048	39,500	TDR&TXV	13.00	—	—	11.05
	COILS + 355MAV060120 VARIABLE-SPEED FURNACE							
		CC5A/CD5AA042	39,000	TDR	12.50	—	12.50	10.90
		CC5A/CD5AW048	39,500	TDR	12.50	—	12.50	11.00
		CK5A/CK5BA042	39,000	TDR	12.50	—	12.50	10.90
		CK5A/CK5BW048	39,500	TDR	12.50	—	12.50	11.00
		CK5PA042	39,000	TDR&TXV	12.50	—	—	10.90
		CK5PW048	39,500	TDR&TXV	12.50	—	—	11.00
	048-F	*CK5A/CK5BA060	46,000	NONE	—	12.00	12.00	10.40
		CC5A/CD5AA060	45,000	NONE	—	11.70	11.70	10.15
		CC5A/CD5AC048	44,000	NONE	—	11.70	11.70	10.05
		CC5A/CD5AW048	45,000	NONE	—	11.70	11.70	10.15
		CC5A/CD5AW060	46,500	NONE	—	12.00	12.00	10.35
		CD5AA048	45,000	NONE	—	11.70	11.70	10.15
		CE3AA048	45,000	NONE	—	11.70	11.70	10.25
CE3AA060		46,000	NONE	—	12.00	12.00	10.40	
CF5AA048		44,000	NONE	—	11.70	11.70	10.20	
CK3BA048		45,000	NONE	—	11.70	11.70	10.20	
CK3BA060		46,000	NONE	—	12.00	12.00	10.40	
CK5A/CK5BA048		45,000	NONE	—	11.70	11.70	10.20	
CK5A/CK5BT048		45,000	NONE	—	11.70	11.70	10.20	
CK5A/CK5BT060		46,000	NONE	—	12.00	12.00	10.40	
CK5A/CK5BW048		45,000	NONE	—	11.70	11.70	10.20	
CK5A/CK5BX060		46,500	NONE	—	12.00	12.00	10.50	
CK5PA048		45,000	TXV	—	11.70	—	10.20	
CK5PA060		46,000	TXV	—	12.00	—	10.40	
CK5PT048		45,000	TXV	—	11.70	—	10.20	
CK5PT060		46,000	TXV	—	12.00	—	10.40	
CK5PW048		45,000	TXV	—	11.70	—	10.20	
CK5PX060		46,500	TXV	—	12.00	—	10.50	
F(A,B)4(A,B)N(F,B,C)048		45,000	TDR	11.70	—	11.70	10.10	
F(A,B)4(A,B)N(F,B,C)060		46,000	TDR	11.70	—	11.70	10.10	
FB4(A,B)NB070		46,500	TDR	12.00	—	12.00	10.45	
FC4(B,C)N(F,B)048		44,500	TDR&TXV	11.50	—	—	10.00	
FC4(B,C)N(F,B)060		45,000	TDR&TXV	11.50	—	—	9.95	
FC4(B,C)NB054		45,000	TDR&TXV	12.00	—	—	10.35	
FC4(B,C)NB070		46,000	TDR&TXV	12.00	—	—	10.30	
FG3AAA048		44,000	NONE	—	11.50	11.50	10.15	
FG3AAA060		45,000	NONE	—	11.70	11.70	10.30	
FK4(C,D)NB006		46,000	TDR&TXV	13.00	—	—	11.35	
FK4(C,D)NF005		45,000	TDR&TXV	12.50	—	—	11.05	
FV4(A,B)NB006		46,000	TDR&TXV	13.20	—	—	11.35	
FV4(A,B)NF005		45,000	TDR&TXV	12.70	—	—	11.00	
FX4(A,B)NB060		45,500	TDR&TXV	12.00	—	—	10.30	
FX4(A,B)NF048		45,000	TDR&TXV	11.70	—	—	10.15	
COILS + 315(A,J)AV048090 VARIABLE-SPEED FURNACE								
		CC5A/CD5AC048	43,500	TDR	12.00	—	12.00	10.50
		CD5AA048	44,500	TDR	12.00	—	12.00	10.60
		CE3AA048	44,500	TDR	12.00	—	12.00	10.60
		CE3AA060	45,000	TDR	12.50	—	12.50	10.90
	CK3BA048	44,500	TDR	12.00	—	12.00	10.60	
	CK5A/CK5BA048	44,500	TDR	12.00	—	12.00	10.60	
	CK5A/CK5BT048	44,500	TDR	12.00	—	12.00	10.60	

See notes on page 19.

COMBINATION RATINGS Continued

UNIT SIZE-SERIES	INDOOR UNIT	TOT. CAP. BTUH	FACTORY- SUPPLIED ENHANCE- MENT	SEER			EER	
				Standard Rating	Bryant Gas Furnace or Accessory TDR†	Accessory Puron TXV‡		
048-F	CK5PA048	44,500	TDR&TXV	12.00	—	—	10.60	
	CK5PT048	44,500	TDR&TXV	12.00	—	—	10.60	
	COILS + 315(A,J)AV066110 VARIABLE-SPEED FURNACE							
	CC5A/CD5AA060	45,000	TDR	12.50	—	12.50	10.85	
	CC5A/CD5AC048	44,000	TDR	12.00	—	12.00	10.70	
	CC5A/CD5AW048	44,500	TDR	12.50	—	12.50	10.80	
	CD5AA048	44,500	TDR	12.00	—	12.00	10.80	
	CD5PX060	45,500	TDR&TXV	13.00	—	—	11.15	
	CE3AA048	44,500	TDR	12.00	—	12.00	10.80	
	CE3AA060	45,000	TDR	12.50	—	12.50	11.10	
	CK3BA048	44,500	TDR	12.50	—	12.50	10.80	
	CK3BA060	45,000	TDR	12.50	—	12.50	11.10	
	CK5A/CK5BA048	44,500	TDR	12.50	—	12.50	10.80	
	CK5A/CK5BA060	45,000	TDR	12.50	—	12.50	11.10	
	CK5A/CK5BT048	44,500	TDR	12.50	—	12.50	10.80	
	CK5A/CK5BT060	45,000	TDR	12.50	—	12.50	11.10	
	CK5A/CK5BW048	44,500	TDR	12.50	—	12.50	10.80	
	CK5A/CK5BX060	45,500	TDR	13.00	—	13.00	11.30	
	CK5PA048	44,500	TDR&TXV	12.50	—	—	10.85	
	CK5PA060	45,000	TDR&TXV	12.50	—	—	11.10	
	CK5PT048	44,500	TDR&TXV	12.50	—	—	10.85	
	CK5PT060	45,000	TDR&TXV	12.50	—	—	11.10	
	CK5PW048	44,500	TDR&TXV	12.50	—	—	10.85	
	CK5PX060	45,500	TDR&TXV	13.00	—	—	11.30	
	COILS + 315(A,J)AV066135 VARIABLE-SPEED FURNACE							
	CC5A/CD5AA060	44,500	TDR	12.50	—	12.50	10.80	
	CC5A/CD5AC048	44,000	TDR	12.00	—	12.00	10.65	
	CC5A/CD5AW048	44,500	TDR	12.50	—	12.50	10.75	
	CC5A/CD5AW060	45,500	TDR	12.50	—	12.50	11.05	
	CD5AA048	44,500	TDR	12.00	—	12.00	10.80	
	CE3AA048	44,500	TDR	12.00	—	12.00	10.75	
	CE3AA060	45,000	TDR	12.50	—	12.50	11.05	
	CK3BA048	44,500	TDR	12.00	—	12.00	10.75	
	CK3BA060	45,000	TDR	12.50	—	12.50	11.05	
	CK5A/CK5BA048	44,500	TDR	12.00	—	12.00	10.75	
	CK5A/CK5BA060	45,000	TDR	12.50	—	12.50	11.05	
	CK5A/CK5BT048	44,500	TDR	12.00	—	12.00	10.75	
	CK5A/CK5BT060	45,000	TDR	12.50	—	12.50	11.05	
	CK5A/CK5BW048	44,500	TDR	12.00	—	12.00	10.75	
	CK5A/CK5BX060	45,500	TDR	12.50	—	12.50	11.25	
	CK5PA048	44,500	TDR&TXV	12.00	—	—	10.80	
	CK5PA060	45,000	TDR&TXV	12.50	—	—	11.05	
	CK5PT048	44,500	TDR&TXV	12.00	—	—	10.80	
	CK5PT060	45,000	TDR&TXV	12.50	—	—	11.05	
	CK5PW048	44,500	TDR&TXV	12.00	—	—	10.80	
	CK5PX060	45,500	TDR&TXV	12.50	—	—	11.25	
	COILS + 315(A,J)AV066155 VARIABLE-SPEED FURNACE							
	CC5A/CD5AA060	45,000	TDR	12.50	—	12.50	10.90	
	CC5A/CD5AC048	44,000	TDR	12.50	—	12.50	10.75	
	CC5A/CD5AW048	44,500	TDR	12.50	—	12.50	10.90	
	CC5A/CD5AW060	45,500	TDR	13.00	—	13.00	11.15	
	CD5AA048	44,500	TDR	12.50	—	12.50	10.90	
	CE3AA048	44,500	TDR	12.00	—	12.00	10.85	
	CE3AA060	45,000	TDR	12.50	—	12.50	11.15	
	CK3BA048	44,500	TDR	12.00	—	12.00	10.85	
	CK3BA060	45,000	TDR	12.50	—	12.50	11.15	
	CK5A/CK5BA048	44,500	TDR	12.00	—	12.00	10.85	
	CK5A/CK5BA060	45,000	TDR	12.50	—	12.50	11.15	
	CK5A/CK5BT048	44,500	TDR	12.00	—	12.00	10.85	
	CK5A/CK5BT060	45,000	TDR	12.50	—	12.50	11.15	
	CK5A/CK5BW048	44,500	TDR	12.00	—	12.00	10.85	
	CK5A/CK5BX060	45,500	TDR	13.00	—	13.00	11.30	
	CK5PA048	44,500	TDR&TXV	12.00	—	—	10.85	
	CK5PA060	45,000	TDR&TXV	12.50	—	—	11.15	
	CK5PT048	44,500	TDR&TXV	12.00	—	—	10.85	
	CK5PT060	45,000	TDR&TXV	12.50	—	—	11.15	
	CK5PW048	44,500	TDR&TXV	12.00	—	—	10.85	
	CK5PX060	45,500	TDR&TXV	13.00	—	—	11.30	
	COILS + 355MAV042080 VARIABLE-SPEED FURNACE							
	CD5AA048	44,500	TDR	12.00	—	12.00	10.40	
	CK3BA048	44,500	TDR	12.00	—	12.00	10.40	
	CK5A/CK5BA048	44,500	TDR	12.00	—	12.00	10.40	
	CK5PA048	44,500	TDR&TXV	12.00	—	—	10.40	
	COILS + 355MAV060080 VARIABLE-SPEED FURNACE							
	CC5A/CD5AW060	45,500	TDR	12.00	—	12.00	10.55	
	CK3BA048	44,500	TDR	12.00	—	12.00	10.30	
	CK3BA060	45,000	TDR	12.00	—	12.00	10.50	
	CK5A/CK5BA060	45,000	TDR	12.00	—	12.00	10.50	
	CK5A/CK5BX060	46,000	TDR	12.00	—	12.00	10.70	
	CK5PA060	45,000	TDR&TXV	12.00	—	—	10.50	

See notes on page 19.

COMBINATION RATINGS Continued

UNIT SIZE-SERIES	INDOOR UNIT	TOT. CAP. BTUH	FACTORY- SUPPLIED ENHANCE- MENT	SEER			EER	
				Standard Rating	Bryant Gas Furnace or Accessory TDR†	Accessory Puron TXV‡		
048-F	CK5PX060	46,000	TDR&TXV	12.00	—	—	10.70	
	COILS + 355MAV060100 VARIABLE-SPEED FURNACE							
	CC5A/CD5AA060	44,500	TDR	12.00	—	12.00	10.55	
	CC5A/CD5AC048	44,000	TDR	12.00	—	12.00	10.40	
	CC5A/CD5AW060	45,500	TDR	12.50	—	12.50	10.85	
	CD5AA048	44,500	TDR	12.00	—	12.00	10.55	
	CK3BA048	44,500	TDR	12.00	—	12.00	10.60	
	CK3BA060	45,000	TDR	12.00	—	12.00	10.45	
	CK5A/CK5BA048	44,500	TDR	12.00	—	12.00	10.60	
	CK5A/CK5BA060	45,000	TDR	12.00	—	12.00	10.80	
	CK5A/CK5BX060	46,000	TDR	12.50	—	12.50	11.00	
	CK5PA048	44,500	TDR&TXV	12.00	—	—	10.60	
	CK5PA060	45,000	TDR&TXV	12.00	—	—	10.80	
	CK5PX060	46,000	TDR&TXV	12.50	—	—	11.00	
	COILS + 355MAV060120 VARIABLE-SPEED FURNACE							
	CC5A/CD5AA060	44,500	TDR	12.00	—	12.00	10.60	
	CC5A/CD5AW048	45,000	TDR	12.00	—	12.00	10.60	
	CC5A/CD5AW060	45,500	TDR	12.50	—	12.50	10.90	
	CK3BA060	45,000	TDR	12.00	—	12.00	10.55	
	CK5A/CK5BA060	45,000	TDR	12.00	—	12.00	10.85	
	CK5A/CK5BW048	44,500	TDR	12.00	—	12.00	10.65	
	CK5A/CK5BX060	46,000	TDR	12.50	—	12.50	11.05	
	CK5PA060	45,000	TDR&TXV	12.00	—	—	10.85	
	CK5PW048	44,500	TDR&TXV	12.00	—	—	10.65	
	CK5PX060	46,000	TDR&TXV	12.50	—	—	11.05	
	060-F	*CK5A/CK5BA060	57,000	NONE	—	12.00	12.00	10.20
		CC5A/CD5AA060	55,000	NONE	—	11.50	11.50	9.95
		CC5A/CD5AW060	58,000	NONE	—	11.70	11.70	10.20
CD5PX060		58,500	TXV	—	12.00	—	10.30	
CE3AA060		57,000	NONE	—	12.00	12.00	10.25	
CK3BA060		57,000	NONE	—	12.00	12.00	10.20	
CK5A/CK5BT060		57,000	NONE	—	12.00	12.00	10.20	
CK5A/CK5BX060		58,000	NONE	—	12.00	12.00	10.35	
CK5PA060		57,000	TXV	—	12.00	—	10.20	
CK5PT060		57,000	TXV	—	12.00	—	10.20	
CK5PX060		58,000	TXV	—	12.00	—	10.35	
F(A,B)4(A,B)N(F,B,C)060		57,000	TDR	11.50	—	11.50	9.95	
FB4(A,B)NB070		58,000	TDR	12.00	—	12.00	10.30	
FC4(B,C)N(F,B)060		57,000	TDR&TXV	11.50	—	—	9.85	
FC4(B,C)NB070		58,000	TDR&TXV	12.00	—	—	10.15	
FG3AAA060		56,000	NONE	—	11.50	11.50	10.10	
FK4(C,D)NB006		58,000	TDR&TXV	12.50	—	12.50	10.75	
FV4(A,B)NB006		58,000	TDR&TXV	12.50	—	—	10.75	
FX4(A,B)NB060		56,000	TDR&TXV	12.00	—	—	10.15	
COILS + 315(A,J)AV066110 VARIABLE-SPEED FURNACE								
CC5A/CD5AA060		56,000	TDR	12.00	—	12.00	10.25	
CD5PX060		58,500	TDR&TXV	12.00	—	—	10.55	
CE3AA060		58,000	TDR	12.00	—	12.00	10.60	
CK3BA060		58,000	TDR	12.00	—	12.00	10.50	
CK5A/CK5BA060		58,000	TDR	12.00	—	12.00	10.50	
CK5A/CK5BT060		58,000	TDR	12.00	—	12.00	10.50	
CK5A/CK5BX060		58,000	TDR	12.50	—	12.50	10.70	
CK5PA060		58,000	TDR&TXV	12.00	—	—	10.50	
CK5PT060		58,000	TDR&TXV	12.00	—	—	10.50	
CK5PX060		58,000	TDR&TXV	12.50	—	—	10.70	
COILS + 315(A,J)AV066135 VARIABLE-SPEED FURNACE								
CC5A/CD5AA060		56,000	TDR	12.00	—	12.00	10.20	
CC5A/CD5AW060		58,000	TDR	12.00	—	12.00	10.50	
CE3AA060		58,000	TDR	12.00	—	12.00	10.55	
CK3BA060		58,000	TDR	12.00	—	12.00	10.45	
CK5A/CK5BA060		58,000	TDR	12.00	—	12.00	10.45	
CK5A/CK5BT060		58,000	TDR	12.00	—	12.00	10.45	
CK5A/CK5BX060		58,000	TDR	12.50	—	12.50	10.70	
CK5PA060		58,000	TDR&TXV	12.00	—	—	10.45	
CK5PT060		58,000	TDR&TXV	12.00	—	—	10.45	
CK5PX060		58,000	TDR&TXV	12.50	—	—	10.70	
COILS + 315(A,J)AV066155 VARIABLE-SPEED FURNACE								
CC5A/CD5AA060		56,000	TDR	12.00	—	12.00	10.30	
CC5A/CD5AW060		57,000	TDR	12.00	—	12.00	10.50	
CD5PX060		58,500	TDR&TXV	12.50	—	—	10.65	
CE3AA060		58,000	TDR	12.00	—	12.00	10.65	
CK3BA060		58,000	TDR	12.00	—	12.00	10.55	
CK5A/CK5BA060		58,000	TDR	12.00	—	12.00	10.55	
CK5A/CK5BT060		58,000	TDR	12.00	—	12.00	10.55	
CK5A/CK5BX060		58,000	TDR	12.50	—	12.50	10.75	
CK5PA060	58,000	TDR&TXV	12.00	—	—	10.55		
CK5PT060	58,000	TDR&TXV	12.00	—	—	10.55		
CK5PX060	58,000	TDR&TXV	12.50	—	—	10.75		

See notes on page 19.

* Tested combination.

† In most cases, only 1 method should be used to achieve TDR function. Using more than 1 method in a system may cause degradation in performance. Use either the accessory Time-Delay Relay KAATD0101 TDR or a furnace equipped with TDR. Most Bryant furnaces are equipped with TDR.

‡ TXV must be Puron® compatible and hard shutoff type.

EER — Energy Efficiency Ratio

SEER — Seasonal Energy Efficiency Ratio

TDR — Time-Delay Relay

TXV — Puron® Thermostatic Expansion Valve

- NOTES:**
1. Ratings are net values reflecting the effects of circulating fan motor heat. Supplemental electric heat is not included.
 2. Tested outdoor/indoor combinations have been tested in accordance with DOE test procedures for electric air conditioners. Ratings for other combinations are determined under DOE computer simulation procedures.
 3. Determine actual CFM values obtainable for your system by referring to fan performance data in fan coil or furnace coil literature.
 4. Do not apply with capillary tube coils as performance and reliability are significantly affected.

DETAILED COOLING CAPACITIES*

EVAP AIR		CONDENSER ENTERING AIR TEMPERATURES °F																	
		75			85			95			105			115			125		
CFM	EWB	Capacity MBtu/h†		Total Sys kW**	Capacity MBtu/h†		Total Sys kW**	Capacity MBtu/h†		Total Sys kW**	Capacity MBtu/h†		Total Sys kW**	Capacity MBtu/h†		Total Sys kW**	Capacity MBtu/h†		Total Sys kW**
		Total	Sens‡		Total	Sens‡		Total	Sens‡		Total	Sens‡		Total	Sens‡		Total	Sens‡	
552AN018-F Outdoor Section With CK5A/CK5BA024 Indoor Section																			
525	72	19.79	10.21	1.30	19.80	10.35	1.46	19.29	10.26	1.63	18.30	9.92	1.82	17.10	9.48	2.02	15.88	9.03	2.25
	67	19.16	13.22	1.29	18.44	13.04	1.44	17.33	12.60	1.62	16.22	12.14	1.80	15.10	11.69	1.99	13.95	11.23	2.19
	63††	17.89	12.98	1.28	16.79	12.50	1.43	15.82	12.06	1.59	14.77	11.60	1.76	13.73	11.15	1.95	12.57	10.66	2.15
	62	17.51	15.79	1.27	16.45	15.32	1.43	15.53	14.88	1.59	14.56	14.41	1.76	13.74	13.74	1.95	12.86	12.86	2.16
	57	16.83	16.83	1.27	16.08	16.08	1.42	15.34	15.34	1.58	14.54	14.54	1.76	13.74	13.74	1.95	12.86	12.86	2.16
600	72	19.81	10.35	1.34	19.84	10.60	1.49	19.50	10.65	1.66	18.61	10.40	1.85	17.43	10.00	2.05	16.18	9.55	2.28
	67	19.29	13.73	1.32	18.81	13.81	1.47	17.74	13.46	1.64	16.54	12.99	1.84	15.41	12.54	2.03	14.24	12.08	2.23
	63††	18.26	13.69	1.31	17.24	13.32	1.46	16.16	12.85	1.63	15.11	12.41	1.80	14.02	11.94	1.98	12.84	11.45	2.19
	62	18.03	16.94	1.30	16.97	16.50	1.46	16.03	16.03	1.62	15.24	15.24	1.80	14.38	14.38	2.00	13.45	13.45	2.21
	57	17.74	17.74	1.30	16.87	16.87	1.46	16.05	16.05	1.63	15.24	15.24	1.80	14.37	14.37	2.00	13.45	13.45	2.21
675	72	19.82	10.51	1.36	19.79	10.76	1.52	19.60	10.97	1.69	18.81	10.83	1.88	17.66	10.48	2.08	16.38	10.04	2.30
	67	19.30	14.10	1.35	19.01	14.46	1.50	18.03	14.23	1.67	16.84	13.82	1.87	15.67	13.36	2.06	14.45	12.88	2.27
	63††	18.47	14.29	1.34	17.56	14.08	1.49	16.44	13.62	1.66	15.36	13.17	1.83	14.23	12.70	2.02	13.04	12.19	2.23
	62	18.40	17.89	1.34	17.56	17.56	1.49	16.67	16.67	1.67	15.80	15.80	1.85	14.90	14.90	2.04	13.97	13.97	2.26
	57	18.34	18.34	1.33	17.56	17.56	1.49	16.67	16.67	1.67	15.80	15.80	1.85	14.90	14.90	2.04	13.97	13.97	2.26
Multipliers for Determining the Performance With Other Indoor Sections																			
Indoor Section	Size	Cooling		Indoor Section	Size	Cooling													
		Capacity	Power			Capacity	Power												
CC5A/CD5AA	018	0.98	1.02	FV4(A,B)NF	002	1.03	0.91												
	024	1.00	1.01		018	1.01	1.00												
CC5A/CD5AW	024	1.00	1.01	COILS + 315(A,J)AV036070 VARIABLE SPEED FURNACE															
CE3AA	024	1.00	1.00	CC5A/CD5AA	018	0.98	0.92												
CF5AA	024	1.00	1.00		024	1.00	0.91												
CK3BA	024	1.00	1.00	CC5A/CD5AW	024	1.00	0.91												
CK5A/CK5BA	018	0.98	1.00	CE3AA	024	1.00	0.91												
	024	1.00	1.00	CK3BA	024	1.00	0.90												
CK5A/CK5BW	024	1.00	1.00	CK5A/CK5BA	018	0.98	0.90												
CK5PA	018	0.98	1.00		024	1.00	0.90												
	024	1.00	1.00	CK5A/CK5BW	024	1.00	0.90												
CK5PW	024	1.00	1.00	CK5PA	018	0.98	0.92												
F(A,B)4(A,B)N(F,C)	018	0.98	1.00		024	1.00	0.91												
	024	1.00	0.99	CK5PW	024	1.00	0.91												
FC4(B,C)NF	024	1.01	1.00	COILS + 355MAV042060 VARIABLE SPEED FURNACE															
FF1DNA	018	0.98	0.97	CC5A/CD5AW	024	1.00	0.92												
FF1DNA	024	1.00	1.00	CE3AA	024	1.00	0.92												
FG3AAA	024	1.00	1.02	CK5A/CK5BW	024	1.00	0.91												
FK4(C,D)NF	001	1.01	0.89	CK5PW	024	1.00	0.91												
	002	1.03	0.91		—	—	—												

See notes on page 32.

DETAILED COOLING CAPACITIES* continued

EVAP AIR		CONDENSER ENTERING AIR TEMPERATURES °F																					
		75				85				95				105				115				125	
CFM	EWB	Capacity MBtuh†		Total Sys kW**	Capacity MBtuh†		Total Sys kW**	Capacity MBtuh†		Total Sys kW**	Capacity MBtuh†		Total Sys kW**	Capacity MBtuh†		Total Sys kW**	Capacity MBtuh†		Total Sys kW**				
		Total	Sens‡		Total	Sens‡		Total	Sens‡		Total	Sens‡		Total	Sens‡		Total	Sens‡		Total	Sens‡		
552AN024-F Outdoor Section With CK5A/CK5BA030 Indoor Section																							
650	72	27.0	12.9	1.79	25.7	12.4	2.00	24.6	12.0	2.24	23.3	11.6	2.49	21.9	11.1	2.77	20.4	10.6	3.08				
	67	25.2	16.4	1.78	24.0	15.9	1.99	22.8	15.4	2.22	21.5	14.8	2.47	19.9	14.2	2.73	17.4	13.2	3.00				
	63††	22.3	15.4	1.75	20.7	14.7	1.94	19.1	14.0	2.16	18.2	13.6	2.41	17.1	13.2	2.67	15.1	12.3	2.95				
	62	21.7	18.9	1.74	20.2	18.2	1.94	18.7	17.5	2.15	17.2	16.8	2.39	16.4	16.4	2.66	15.6	15.6	2.96				
	57	20.2	20.2	1.72	18.9	18.9	1.92	18.2	18.2	2.15	17.4	17.4	2.39	16.5	16.5	2.66	15.5	15.5	2.96				
750	72	27.0	13.2	1.83	26.1	12.9	2.04	24.9	12.5	2.28	23.7	12.1	2.53	22.3	11.6	2.81	20.7	11.1	3.13				
	67	25.6	17.2	1.82	24.5	16.9	2.03	23.2	16.3	2.26	21.8	15.8	2.51	20.4	15.3	2.78	17.8	14.3	3.05				
	63††	22.9	16.5	1.79	21.3	15.7	1.99	19.8	15.1	2.20	18.8	14.7	2.45	17.7	14.2	2.72	15.7	13.4	3.00				
	62	22.4	20.4	1.78	20.8	19.7	1.98	19.4	19.0	2.20	18.8	18.6	2.45	18.0	18.0	2.73	16.5	16.5	3.02				
	57	21.2	21.2	1.77	20.5	20.5	1.98	19.7	19.7	2.20	18.9	18.9	2.46	18.0	18.0	2.73	16.4	16.4	3.02				
850	72	27.3	13.6	1.86	26.3	13.3	2.08	25.2	12.9	2.31	23.9	12.5	2.57	22.4	12.1	2.85	20.9	11.6	3.17				
	67	25.8	18.0	1.85	24.8	17.7	2.07	23.4	17.1	2.29	22.1	16.7	2.55	20.7	16.2	2.82	18.3	15.3	3.10				
	63††	23.5	17.5	1.83	22.5	17.0	2.04	21.1	16.5	2.26	19.4	15.7	2.50	18.2	15.3	2.77	16.2	14.4	3.05				
	62	23.1	21.9	1.83	22.2	21.4	2.03	20.9	20.8	2.26	20.2	20.2	2.51	18.9	18.9	2.79	17.2	17.2	3.08				
	57	22.6	22.6	1.82	21.8	21.8	2.03	21.0	21.0	2.26	20.2	20.2	2.52	19.1	19.1	2.79	17.1	17.1	3.07				
Multipliers for Determining the Performance With Other Indoor Sections																							
Indoor Section	Size	Cooling		Indoor Section	Size	Cooling																	
		Capacity	Power			Capacity	Power																
CC5A/CD5AA	024	0.99	1.01	CC5A/CD5AW	024	0.99	0.94																
	030	1.00	1.01		030	1.00	0.92																
CC5A/CD5AW	024	0.99	1.01	CE3AA	024	0.99	0.93																
	030	1.00	1.01		030	1.00	0.92																
CE3AA	024	0.99	1.00	CK3BA	024	0.99	0.92																
	030	1.00	1.00		030	1.00	0.92																
CF5AA	024	0.99	1.00	CK5A/CK5BA	024	0.99	0.92																
CK3BA	024	0.99	0.99		030	1.00	0.92																
CK5A/CK5BA	024	0.99	0.99	CK5A/CK5BW	024	0.99	0.92																
	030	1.00	1.00		030	1.00	0.92																
CK5A/CK5BW	024	0.99	0.99	CK5PA	024	0.99	0.92																
	030	1.00	1.00		030	1.00	0.92																
CK5PA	024	0.99	0.99	CK5PW	024	0.99	0.92																
	030	1.00	1.00		030	1.00	0.92																
CK5PW	024	0.99	0.99	COILS + 355MAV042040 VARIABLE SPEED FURNACE																			
	030	1.00	1.00	CC5A/CD5AW	030	1.00	0.93																
F(A,B)4(A,B)N(F,C)	024	1.00	1.00	CK5A/CK5BW	030	1.00	0.93																
	030	1.02	1.00	CK5PW	030	1.00	0.93																
FC4(B,C)NF	024	1.00	1.00	COILS + 355MAV042060 VARIABLE SPEED FURNACE																			
	030	1.02	1.01	CC5A/CD5AW	024	0.99	0.94																
FF1DNA	024	0.99	1.00	CK3BA	030	1.00	0.94																
	030	1.02	1.01		024	0.99	0.93																
FG3AAA	024	0.98	1.01	CK5A/CK5BW	030	1.00	0.93																
FK4(C,D)NF	001	1.01	0.92		024	0.99	0.93																
	002	1.02	0.92	CK5PW	030	1.00	0.93																
003	1.02	0.90	024		0.99	0.93																	
FV4(A,B)NF	002	1.02	0.92	030	1.00	0.93																	
	003	1.02	0.90		COILS + 355MAV042080 VARIABLE SPEED FURNACE																		
FX4(A,B)NF	024	0.99	0.94	CC5A/CD5AW	024	0.99	0.92																
	030	1.00	0.92	030	1.00	0.92																	
COILS + 315(A,J)AV036070 VARIABLE SPEED FURNACE				CK5A/CK5BW	024	0.99	0.91																
CC5A/CD5AA	024	0.99	0.94		030	1.00	0.91																
		030	1.00	0.92	CK5PW	024	0.99	0.91															
	—	—	—	030		1.00	0.91																

See notes on page 32.

DETAILED COOLING CAPACITIES* continued

EVAP AIR		CONDENSER ENTERING AIR TEMPERATURES °F																		
		75			85			95			105			115			125			
CFM	EWB	Capacity MBtu/h†		Total Sys kW**	Capacity MBtu/h†		Total Sys kW**	Capacity MBtu/h†		Total Sys kW**	Capacity MBtu/h†		Total Sys kW**	Capacity MBtu/h†		Total Sys kW**	Capacity MBtu/h†		Total Sys kW**	
		Total	Sens‡		Total	Sens‡		Total	Sens‡		Total	Sens‡		Total	Sens‡		Total	Sens‡		Total
552AN024-G Outdoor Section With CK5A/CK5BA030 Indoor Section																				
700	57	22.07	22.07	1.63	21.10	21.10	1.84	20.07	20.07	2.08	18.98	18.98	2.33	17.84	17.84	2.61	16.57	16.57	2.91	
	62	22.81	20.78	1.63	21.49	20.17	1.85	20.24	19.57	2.08	18.95	18.95	2.33	17.84	17.84	2.61	16.57	16.57	2.91	
	67	25.23	17.55	1.64	23.98	17.11	1.86	22.53	16.54	2.11	21.03	15.93	2.38	19.47	15.30	2.66	17.81	14.65	2.95	
	72	26.57	13.74	1.66	26.09	13.70	1.88	24.99	13.36	2.13	23.58	12.86	2.40	22.00	12.28	2.68	20.25	11.66	2.99	
800	57	23.21	23.21	1.66	22.07	22.07	1.89	20.97	20.97	2.13	19.88	19.88	2.40	18.65	18.65	2.67	17.33	17.33	2.98	
	62	23.51	22.30	1.67	22.14	21.70	1.89	20.97	20.97	2.13	19.88	19.88	2.40	18.64	18.64	2.67	17.35	17.35	2.98	
	67	25.61	18.42	1.68	24.47	18.13	1.90	23.00	17.62	2.15	21.48	17.04	2.42	19.84	16.41	2.71	18.19	15.76	3.01	
	72	26.62	14.00	1.70	26.29	14.12	1.92	25.29	13.88	2.17	23.88	13.42	2.44	22.29	12.88	2.72	20.51	12.27	3.03	
900	57	24.04	24.04	1.70	22.93	22.93	1.93	21.80	21.80	2.19	20.58	20.58	2.45	19.32	19.32	2.73	17.99	17.99	3.05	
	62	24.08	23.62	1.71	22.93	22.93	1.93	21.79	21.79	2.19	20.57	20.57	2.46	19.32	19.32	2.73	17.99	17.99	3.05	
	67	25.80	19.11	1.72	24.77	19.02	1.94	23.33	18.61	2.19	21.81	18.07	2.45	20.21	17.48	2.75	18.46	16.79	3.05	
	72	26.66	14.25	1.73	26.38	14.46	1.96	25.42	14.30	2.21	24.05	13.90	2.48	22.47	13.40	2.76	20.68	12.80	3.07	
Multipliers for Determining the Performance With Other Indoor Sections																				
Indoor Section	Size	Cooling		Indoor Section	Size	Cooling														
		Capacity	Power			Capacity	Power													
CC5A/CD5AA	024	0.99	1.01	CK5A/CK5BA	024	0.97	0.89													
	030	1.00	1.01		030	0.98	0.90													
CC5A/CD5AW	024	0.99	1.01	CK5A/CK5BW	024	0.97	0.89													
	030	1.00	1.01		030	0.98	0.89													
CE3AA	024	0.99	1.00	CK5PA	024	0.97	0.89													
	030	1.00	1.00		030	0.98	0.90													
CF5AA	024	0.99	1.01	CK5PW	024	0.97	0.89													
CK3BA	024	0.99	1.00		030	0.98	0.90													
CK5A/CK5BA	024	0.99	1.00	COILS + 315(A,J)AV048090 VARIABLE SPEED FURNACE																
	030	1.00	1.00	CC5A/CD5AA	024	0.97	0.90													
CK5A/CK5BW	024	0.99	1.00	CC5A/CD5AW	030	0.98	0.89													
	030	1.00	1.00		024	0.97	0.89													
CK5PA	024	0.99	1.00	CE3AA	030	0.98	0.89													
	030	1.00	1.00		024	0.97	0.89													
CK5PW	024	0.99	1.00	CK3BA	030	0.98	0.89													
	030	1.00	1.00		024	0.97	0.87													
F(A,B)4BN(F,C)	024	1.00	1.00	CK5A/CK5BA	030	0.98	0.88													
	030	1.02	1.00		024	0.97	0.88													
FC4CNF	024	1.00	1.00	CK5A/CK5BW	030	0.98	0.89													
	030	1.02	1.00		024	0.97	0.88													
FF1DNA	024	1.00	1.01	CK5PA	030	0.98	0.89													
	030	1.02	1.02		024	0.97	0.88													
FF1DNE	024	1.00	1.01	CK5PW	030	0.98	0.89													
	030	1.02	1.02		024	0.97	0.88													
FG3AAA	024	0.96	0.99	COILS + 315(A,J)AV060110 VARIABLE SPEED FURNACE																
FK4DNF	001	1.00	0.90	CC5A/CD5AW	024	0.97	0.90													
	002	1.01	0.90		030	0.98	0.90													
	003	1.03	0.90	CE3AA	024	0.97	0.90													
FV4BNF	002	1.01	0.90		030	0.98	0.89													
	003	1.03	0.90	CK3BA	024	0.97	0.88													
FX4BNF	030	1.02	0.99		030	0.98	0.89													
	COILS + 315(A,J)AV036070 VARIABLE SPEED FURNACE				CK5A/CK5BW	024	0.97	0.89												
CC5A/CD5AA	024	0.97	0.91	030		0.98	0.89													
	CC5A/CD5AW	024	0.97	0.90	CK5PW	024	0.97	0.89												
030		0.98	0.90	030		0.98	0.89													
CE3AA	024	0.97	0.90	COILS + 315(A,J)AV066135 VARIABLE SPEED FURNACE																
	030	0.98	0.90	CE3AA	024	0.97	0.90													
CK3BA	024	0.97	0.88		CE3AA	030	0.98	0.89												
	030	0.98	0.89	COILS + 315(A,J)AV066155 VARIABLE SPEED FURNACE																
—	—	—	—	CE3AA	024	0.97	0.89													
—	—	—	—		030	0.98	0.89													

See notes on page 32.

DETAILED COOLING CAPACITIES* continued

EVAP AIR		CONDENSER ENTERING AIR TEMPERATURES °F																					
		75				85				95				105				115				125	
CFM	EWB	Capacity MBtu/h†		Total Sys kW**	Capacity MBtu/h†		Total Sys kW**	Capacity MBtu/h†		Total Sys kW**	Capacity MBtu/h†		Total Sys kW**	Capacity MBtu/h†		Total Sys kW**	Capacity MBtu/h†		Total Sys kW**				
		Total	Sens‡		Total	Sens‡		Total	Sens‡		Total	Sens‡		Total	Sens‡		Total	Sens‡		Total	Sens‡		
552AN024-G Outdoor Section With CK5A/CK5BA030 Indoor Section continued																							
700	57	22.07	22.07	1.63	21.10	21.10	1.84	20.07	20.07	2.08	18.98	18.98	2.33	17.84	17.84	2.61	16.57	16.57	2.91				
	62	22.81	20.78	1.63	21.49	20.17	1.85	20.24	19.57	2.08	18.95	18.95	2.33	17.84	17.84	2.61	16.57	16.57	2.91				
	67	25.23	17.55	1.64	23.98	17.11	1.86	22.53	16.54	2.11	21.03	15.93	2.38	19.47	15.30	2.66	17.81	14.65	2.95				
	72	26.57	13.74	1.66	26.09	13.70	1.88	24.99	13.36	2.13	23.58	12.86	2.40	22.00	12.28	2.68	20.25	11.66	2.99				
800	57	23.21	23.21	1.66	22.07	22.07	1.89	20.97	20.97	2.13	19.88	19.88	2.40	18.65	18.65	2.67	17.33	17.33	2.98				
	62	23.51	22.30	1.67	22.14	21.70	1.89	20.97	20.97	2.13	19.88	19.88	2.40	18.64	18.64	2.67	17.35	17.35	2.98				
	67	25.61	18.42	1.68	24.47	18.13	1.90	23.00	17.62	2.15	21.48	17.04	2.42	19.84	16.41	2.71	18.19	15.76	3.01				
	72	26.62	14.00	1.70	26.29	14.12	1.92	25.29	13.88	2.17	23.88	13.42	2.44	22.29	12.88	2.72	20.51	12.27	3.03				
900	57	24.04	24.04	1.70	22.93	22.93	1.93	21.80	21.80	2.19	20.58	20.58	2.45	19.32	19.32	2.73	17.99	17.99	3.05				
	62	24.08	23.62	1.71	22.93	22.93	1.93	21.79	21.79	2.19	20.57	20.57	2.46	19.32	19.32	2.73	17.99	17.99	3.05				
	67	25.80	19.11	1.72	24.77	19.02	1.94	23.33	18.61	2.19	21.81	18.07	2.45	20.21	17.48	2.75	18.46	16.79	3.05				
	72	26.66	14.25	1.73	26.38	14.46	1.96	25.42	14.30	2.21	24.05	13.90	2.48	22.47	13.40	2.76	20.68	12.80	3.07				
Multipliers for Determining the Performance With Other Indoor Sections																							
Indoor Section	Size	Cooling		Indoor Section	Size	Cooling																	
		Capacity	Power			Capacity	Power																
COILS + 355MAV042040 VARIABLE SPEED FURNACE																							
CE3AA	024	0.97	0.90	CK5PW	024	0.97	0.89																
	030	0.98	0.90		030	1.01	0.92																
COILS + 355MAV060080 VARIABLE SPEED FURNACE																							
CC5A/CD5AA	024	0.97	0.90	CC5A/CD5AW	024	0.97	0.90																
	030	0.98	0.90		030	0.98	0.90																
CC5A/CD5AW	024	0.97	0.90	CE3AA	024	0.97	0.90																
	030	0.98	0.90		030	0.98	0.89																
CE3AA	024	0.97	0.89	CK3BA	024	0.97	0.88																
	030	0.98	0.89		030	0.98	0.89																
CK3BA	024	0.97	0.88	CK5A/CK5BW	024	0.97	0.89																
	030	0.98	0.89		030	0.98	0.89																
CK5A/CK5BA	024	0.97	0.89	CK5PW	024	0.97	0.89																
	030	0.98	0.89		030	0.98	0.89																
COILS + 355MAV060100 VARIABLE SPEED FURNACE																							
CK5A/CK5BW	024	0.97	0.89	CC5A/CD5AW	024	0.97	0.90																
	030	0.98	0.89		030	0.98	0.90																
CK5PA	024	0.97	0.89	CE3AA	024	0.97	0.89																
	030	0.98	0.90		030	0.98	0.89																
CK5PW	024	0.97	0.89	CK3BA	024	0.97	0.88																
	030	0.98	0.89		030	0.98	0.89																
COILS + 355MAV042080 VARIABLE SPEED FURNACE																							
CC5A/CD5AW	024	0.97	0.90	CK5A/CK5BW	024	0.97	0.89																
	030	0.98	0.90		030	0.98	0.89																
CE3AA	024	0.97	0.90	CK5PW	024	0.97	0.89																
	030	0.98	0.90		030	0.98	0.89																
CK3BA	024	0.97	0.88	CE3AA	024	0.97	0.90																
	030	0.98	0.89		030	0.98	0.90																
CK5A/CK5BW	024	0.97	0.89	COILS + 355MAV060120 VARIABLE SPEED FURNACE																			
	030	0.98	0.89	— — — —																			

See notes on page 32.

DETAILED COOLING CAPACITIES* Continued

EVAP AIR		CONDENSER ENTERING AIR TEMPERATURES °F																					
		75				85				95				105				115				125	
CFM	EWB	Capacity MBtu/h†		Total Sys kW**	Capacity MBtu/h†		Total Sys kW**	Capacity MBtu/h†		Total Sys kW**	Capacity MBtu/h†		Total Sys kW**	Capacity MBtu/h†		Total Sys kW**	Capacity MBtu/h†		Total Sys kW**				
		Total	Sens‡		Total	Sens‡		Total	Sens‡		Total	Sens‡		Total	Sens‡		Total	Sens‡		Total	Sens‡		
552AN030-F Outdoor Section With CK5A/CK5BA036 Indoor Section																							
875	72	33.5	16.6	2.19	32.4	16.3	2.43	31.0	15.8	2.69	29.5	15.3	2.99	27.7	14.7	3.32	25.7	14.0	3.69				
	67	31.4	21.7	2.17	30.1	21.2	2.41	28.6	20.6	2.67	26.9	19.9	2.95	24.5	19.0	3.26	21.7	17.9	3.61				
	63††	28.8	20.9	2.15	26.6	20.0	2.37	24.4	19.0	2.61	22.0	18.0	2.88	20.5	17.4	3.19	18.8	16.7	3.54				
	62	28.2	26.0	2.14	26.1	25.0	2.36	24.0	23.9	2.61	22.8	22.8	2.89	21.4	21.4	3.21	19.9	19.9	3.57				
	57	26.7	26.7	2.13	25.1	25.1	2.35	23.6	23.6	2.60	22.8	22.8	2.89	21.9	21.9	3.22	20.0	20.0	3.57				
1000	72	33.6	17.0	2.24	32.6	16.8	2.48	31.3	16.5	2.74	29.8	16.0	3.04	28.0	15.4	3.37	26.0	14.8	3.75				
	67	31.8	22.8	2.22	30.4	22.4	2.46	29.0	21.9	2.72	27.4	21.3	3.01	24.8	20.3	3.32	22.0	19.3	3.66				
	63††	29.9	22.5	2.21	27.7	21.6	2.43	25.4	20.6	2.67	22.9	19.5	2.94	21.4	18.9	3.26	19.5	18.1	3.61				
	62	29.6	28.3	2.21	27.5	27.2	2.43	25.6	25.6	2.68	24.3	24.3	2.96	22.9	22.9	3.29	21.4	21.4	3.65				
	57	28.6	28.6	2.20	26.9	26.9	2.42	25.4	25.4	2.67	24.5	24.5	2.97	23.4	23.4	3.29	21.4	21.4	3.65				
1125	72	34.1	17.8	2.30	33.1	17.6	2.54	31.4	17.0	2.79	29.9	16.6	3.09	28.1	16.1	3.42	26.2	15.6	3.81				
	67	32.1	23.9	2.28	30.6	23.4	2.50	29.3	23.2	2.77	27.6	22.6	3.06	25.3	21.8	3.38	22.2	20.6	3.72				
	63††	30.3	23.8	2.27	28.6	23.0	2.49	26.2	22.0	2.73	23.7	21.0	3.00	22.2	20.4	3.32	20.1	19.4	3.67				
	62	30.3	30.0	2.26	29.0	29.0	2.49	27.0	27.0	2.74	25.7	25.7	3.03	24.3	24.3	3.36	21.9	21.9	3.71				
	57	30.2	30.2	2.26	28.6	28.6	2.49	27.0	27.0	2.74	26.1	26.1	3.04	24.6	24.6	3.36	21.9	21.9	3.71				
Multipliers for Determining the Performance With Other Indoor Sections																							
Indoor Section	Size	Cooling		Indoor Section	Size	Cooling																	
		Capacity	Power			Capacity	Power																
CC5A/CD5AA	030	0.97	1.00	CK3BA	030	0.96	0.92																
	036	1.00	1.00		036	0.99	0.92																
CC5A/CD5AW	030	0.97	1.00	CK5A/CK5BA	030	0.96	0.92																
	036	1.00	1.00		036	0.99	0.92																
CE3AA	030	0.97	0.98	CK5A/CK5BT	036	0.99	0.92																
	036	0.97	0.99		CK5A/CK5BW	030	0.96	0.92															
CF5AA	036	0.99	1.00	CK5PA	030	0.97	0.93																
CK3BA	030	0.97	0.99		036	0.99	0.92																
	CK5A/CK5BA	030	0.97	0.99	CK5PT	036	0.99	0.92															
036		1.00	1.00	CK5PW		030	0.97	0.93															
CK5A/CK5BA	030	0.97	0.99	COILS + 315(A,J)AV048090 VARIABLE SPEED FURNACE																			
	036	1.00	1.00	CC5A/CD5AA	030	0.96	0.91																
CK5A/CK5BT	036	1.00	1.00		036	0.99	0.91																
CK5A/CK5BW	030	0.97	0.99	CC5A/CD5AW	030	0.96	0.91																
	036	1.00	1.00		036	0.99	0.91																
CK5PA	030	0.97	0.99	CE3AA	030	0.97	0.91																
	036	1.00	1.00		036	0.99	0.91																
CK5PT	036	1.00	1.00	CK3BA	030	0.96	0.90																
	CK5PW	030	0.97		0.99	036	1.00	0.91															
F(A,B)4(A,B)N(F,C)		030	0.97	0.99	CK5A/CK5BA	030	0.96	0.90															
	036	0.98	1.01	036		1.00	0.91																
FC4(B,C)NF	030	0.96	0.98	CK5A/CK5BW	030	0.96	0.90																
	036	0.97	1.00		036	1.00	0.91																
FF1DNA	030	0.98	1.00	CK5PA	030	0.97	0.92																
FG3AAA	036	0.97	0.99		036	1.00	0.91																
FK4(C,D)NF	001	0.97	0.90	CK5PT	036	1.00	0.91																
	002	0.98	0.91		CK5PW	030	0.97	0.92															
	003	0.98	0.88	036		1.00	0.91																
	005	1.01	0.88	COILS + 355MAV042040 VARIABLE SPEED FURNACE																			
FV4(A,B)NF	002	0.98	0.91	CC5A/CD5AW	030	0.97	0.95																
	003	0.99	0.90		036	1.00	0.94																
	005	1.01	0.88	CK5A/CK5BW	030	0.97	0.92																
FX4(A,B)NF	030	0.96	0.96		036	1.00	0.92																
	036	0.97	0.99	CK5PW	030	0.97	0.92																
COILS + 315(A,J)AV036070 VARIABLE SPEED FURNACE					036	1.00	0.92																
CC5A/CD5AA	030	0.96	0.92	COILS + 355MAV042060 VARIABLE SPEED FURNACE																			
	036	0.99	0.92	CC5A/CD5AA	036	1.00	0.95																
CC5A/CD5AW	030	0.96	0.92	CC5A/CD5AW	030	0.97	0.95																
CE3AA	030	0.97	0.92	CK3BA	030	0.97	0.95																
	036	0.97	0.91		036	1.00	0.94																

See notes on page 32.

DETAILED COOLING CAPACITIES* Continued

EVAP AIR		CONDENSER ENTERING AIR TEMPERATURES °F																	
		75			85			95			105			115			125		
CFM	EWB	Capacity MBtu/h†		Total Sys kW**	Capacity MBtu/h†		Total Sys kW**	Capacity MBtu/h†		Total Sys kW**	Capacity MBtu/h†		Total Sys kW**	Capacity MBtu/h†		Total Sys kW**	Capacity MBtu/h†		Total Sys kW**
		Total	Sens‡		Total	Sens‡		Total	Sens‡		Total	Sens‡		Total	Sens‡		Total	Sens‡	
552AN030-F Outdoor Section With CK5A/CK5BA036 Indoor Section continued																			
875	72	33.5	16.6	2.19	32.4	16.3	2.43	31.0	15.8	2.69	29.5	15.3	2.99	27.7	14.7	3.32	25.7	14.0	3.69
	67	31.4	21.7	2.17	30.1	21.2	2.41	28.6	20.6	2.67	26.9	19.9	2.95	24.5	19.0	3.26	21.7	17.9	3.61
	63††	28.8	20.9	2.15	26.6	20.0	2.37	24.4	19.0	2.61	22.0	18.0	2.88	20.5	17.4	3.19	18.8	16.7	3.54
	62	28.2	26.0	2.14	26.1	25.0	2.36	24.0	23.9	2.61	22.8	22.8	2.89	21.4	21.4	3.21	19.9	19.9	3.57
57	26.7	26.7	2.13	25.1	25.1	2.35	23.6	23.6	2.60	22.8	22.8	2.89	21.9	21.9	3.22	20.0	20.0	3.57	
1000	72	33.6	17.0	2.24	32.6	16.8	2.48	31.3	16.5	2.74	29.8	16.0	3.04	28.0	15.4	3.37	26.0	14.8	3.75
	67	31.8	22.8	2.22	30.4	22.4	2.46	29.0	21.9	2.72	27.4	21.3	3.01	24.8	20.3	3.32	22.0	19.3	3.66
	63††	29.9	22.5	2.21	27.7	21.6	2.43	25.4	20.6	2.67	22.9	19.5	2.94	21.4	18.9	3.26	19.5	18.1	3.61
	62	29.6	28.3	2.21	27.5	27.2	2.43	25.6	25.6	2.68	24.3	24.3	2.96	22.9	22.9	3.29	21.4	21.4	3.65
57	28.6	28.6	2.20	26.9	26.9	2.42	25.4	25.4	2.67	24.5	24.5	2.97	23.4	23.4	3.29	21.4	21.4	3.65	
1125	72	34.1	17.8	2.30	33.1	17.6	2.54	31.4	17.0	2.79	29.9	16.6	3.09	28.1	16.1	3.42	26.2	15.6	3.81
	67	32.1	23.9	2.28	30.6	23.4	2.50	29.3	23.2	2.77	27.6	22.6	3.06	25.3	21.8	3.38	22.2	20.6	3.72
	63††	30.3	23.8	2.27	28.6	23.0	2.49	26.2	22.0	2.73	23.7	21.0	3.00	22.2	20.4	3.32	20.1	19.4	3.67
	62	30.3	30.0	2.26	29.0	29.0	2.49	27.0	27.0	2.74	25.7	25.7	3.03	24.3	24.3	3.36	21.9	21.9	3.71
57	30.2	30.2	2.26	28.6	28.6	2.49	27.0	27.0	2.74	26.1	26.1	3.04	24.6	24.6	3.36	21.9	21.9	3.71	
Multipliers for Determining the Performance With Other Indoor Sections																			
Indoor Section		Size	Cooling		Indoor Section		Size	Cooling											
			Capacity	Power				Capacity	Power										
CK5A/CK5BA		036	1.00	0.94	CK5A/CK5BW		030	0.97	0.92										
CK5A/CK5BW		030	0.97	0.92			036	1.00	0.92										
CK5PA		036	1.00	0.94	CK5PW		030	0.97	0.92										
CK5PW		030	0.97	0.92			036	1.00	0.92										
COILS + 355MAV042080 VARIABLE SPEED FURNACE					COILS + 355MAV060100 VARIABLE SPEED FURNACE														
CC5A/CD5AW		030	0.97	0.96	CC5A/CD5AW		030	0.97	0.92										
		036	1.00	0.93			036		1.00	0.92									
CK5A/CK5BW		030	0.97	0.92	CK5A/CK5BW		030	0.97	0.92										
		036	1.00	0.92			036		1.00	0.92									
CK5PW		030	0.97	0.92	CK5PW		030	0.97	0.92										
		036	1.00	0.92			036		1.00	0.92									
COILS + 355MAV060080 VARIABLE SPEED FURNACE					COILS + 355MAV060120 VARIABLE SPEED FURNACE														
CC5A/CD5AW		030	0.97	0.96	CC5A/CD5AW		036	1.00	0.92										
		036	1.00	0.95			CK5A/CK5BW		036	1.00	0.92								
		—	—	—	CK5PW		036	1.00	0.92										

See notes on page 32.

DETAILED COOLING CAPACITIES* Continued

EVAP AIR		CONDENSER ENTERING AIR TEMPERATURES °F																	
		75			85			95			105			115			125		
CFM	EWB	Capacity MBtu/h†		Total Sys kW**	Capacity MBtu/h†		Total Sys kW**	Capacity MBtu/h†		Total Sys kW**	Capacity MBtu/h†		Total Sys kW**	Capacity MBtu/h†		Total Sys kW**	Capacity MBtu/h†		Total Sys kW**
		Total	Sens‡		Total	Sens‡		Total	Sens‡		Total	Sens‡		Total	Sens‡		Total	Sens‡	
552AN036-F/G Outdoor Section With CK5A/CK5BA042 Indoor Section																			
1050	72	40.4	19.9	2.65	39.0	19.5	2.96	37.3	18.9	3.29	35.3	18.2	3.66	33.3	17.6	4.08	30.8	16.8	4.53
	67	38.2	26.0	2.63	36.3	25.3	2.93	34.5	24.6	3.25	32.5	23.9	3.62	30.4	23.1	4.01	26.5	21.6	4.41
	63††	35.9	25.7	2.62	34.1	24.9	2.91	32.0	23.9	3.23	29.7	23.0	3.57	26.9	21.8	3.94	23.7	20.4	4.33
	62	35.4	31.9	2.61	33.4	30.9	2.90	31.4	30.0	3.22	29.2	28.9	3.56	27.2	27.2	3.94	24.7	24.7	4.36
	57	33.5	33.5	2.59	31.6	31.6	2.87	29.7	29.7	3.19	28.7	28.7	3.55	27.2	27.2	3.94	24.6	24.6	4.35
1200	72	41.0	20.6	2.72	39.5	20.2	3.02	37.8	19.7	3.36	35.8	19.1	3.73	33.7	18.5	4.15	31.1	17.7	4.61
	67	38.6	27.4	2.69	36.7	26.6	2.98	35.0	26.1	3.32	33.0	25.5	3.69	30.8	24.7	4.09	26.8	23.2	4.48
	63††	36.5	27.1	2.68	34.7	26.4	2.98	32.5	25.5	3.29	30.2	24.5	3.64	27.3	23.3	4.00	24.0	21.9	4.40
	62	36.2	34.2	2.68	34.2	33.2	2.97	32.2	32.1	3.29	30.3	30.3	3.64	28.1	28.1	4.02	25.5	25.5	4.44
	57	35.7	35.7	2.67	33.7	33.7	2.96	31.8	31.8	3.28	30.7	30.7	3.65	28.4	28.4	4.03	25.6	25.6	4.44
1350	72	41.3	21.2	2.78	39.8	20.9	3.08	38.1	20.4	3.42	36.1	19.8	3.79	34.0	19.3	4.21	31.4	18.6	4.68
	67	38.8	28.4	2.75	37.1	27.9	3.05	35.4	27.6	3.38	33.5	27.1	3.75	31.2	26.3	4.15	27.1	24.7	4.55
	63††	36.9	28.5	2.74	35.2	27.9	3.04	32.9	26.9	3.35	30.5	25.9	3.70	27.6	24.7	4.07	24.3	23.3	4.47
	62	36.7	35.9	2.73	35.0	34.9	3.03	33.6	33.6	3.37	31.8	31.8	3.73	29.6	29.6	4.11	26.4	26.4	4.53
	57	36.6	36.6	2.73	35.2	35.2	3.03	33.6	33.6	3.37	31.8	31.8	3.73	29.4	29.4	4.11	26.4	26.4	4.53
Multipliers for Determining the Performance With Other Indoor Sections																			
Indoor Section	Size	Cooling		Indoor Section	Size	Cooling													
		Capacity	Power			Capacity	Power												
CC5A/CD5AA	036	1.00	1.00	CK5A/CK5BT	036	0.99	0.94												
	042	1.00	1.00		CK5PA	036	0.99	0.94											
CC5A/CD5AW	036	1.00	1.00	CK5PE	042	0.99	0.93												
	042	0.99	1.00		CK5PT	036	0.99	0.94											
CE3AA	036	0.99	1.00	COILS + 315(A,J)AV048090 VARIABLE SPEED FURNACE															
	042	1.00	1.00	CC5A/CD5AA	036	0.99	0.92												
CF5AA	036	0.99	1.00		042	0.99	0.91												
	CK3BA	036	1.00	1.00	CC5A/CD5AW	036	0.99	0.92											
042		1.00	1.00	CE3AA		036	0.98	0.92											
CK5A/CK5BA	036	1.00	1.00	CK3BA	042	0.99	0.91												
	042	1.00	1.00		036	0.99	0.92												
CK5A/CK5BT	036	1.00	1.00	CK5A/CK5BA	036	0.99	0.92												
	042	1.00	1.00		042	0.99	0.91												
CK5A/CK5BW	036	1.00	1.00	CK5A/CK5BE	042	0.99	0.91												
	042	1.00	1.00		CK5A/CK5BT	036	0.99	0.92											
CK5PA	036	1.00	1.00	CK5A/CK5BT	042	0.99	0.91												
	042	1.00	1.00		036	0.99	0.92												
CK5PT	036	1.00	1.00	CK5A/CK5BW	042	0.99	0.91												
	042	1.00	1.00		036	0.99	0.92												
CK5PW	036	1.00	1.00	CK5PA	036	0.99	0.92												
	042	1.00	1.00		042	0.99	0.92												
F(A,B)4(A,B)N(F,B,C)	042	1.00	1.00	CK5PE	042	0.99	0.91												
F(A,B)4(A,B)N(F,C)	036	0.97	1.00		CK5PT	036	0.99	0.92											
FC4(B,C)N(F,B)	042	0.97	0.98	CK5PW		042	0.99	0.92											
FC4(B,C)NB	054	1.00	0.95		036	0.99	0.92												
FC4(B,C)NF	036	0.96	1.00	COILS + 315(A,J)AV066110 VARIABLE SPEED FURNACE															
FG3AAA	036	0.97	0.99	CC5A/CD5AA	036	0.99	0.92												
FK4(C,D)NB	006	1.01	0.87		042	0.99	0.91												
FK4(C,D)NF	001	0.97	0.93	CC5A/CD5AW	036	0.99	0.92												
	002	0.97	0.93		042	0.98	0.91												
	003	0.98	0.90	CE3AA	036	0.98	0.91												
	005	1.00	0.88		042	0.99	0.91												
FV4(A,B)NB	006	1.02	0.88	CK3BA	036	0.99	0.91												
FV4(A,B)NF	002	0.97	0.93		042	0.99	0.91												
	003	0.98	0.90	CK5A/CK5BA	036	0.99	0.91												
	005	1.00	0.88		042	0.99	0.91												
FX4(A,B)NF	036	0.97	1.00	CK5A/CK5BT	036	0.99	0.91												
	042	0.97	0.97		042	0.99	0.91												
COILS + 315(A,J)AV036070 VARIABLE SPEED FURNACE								CK5A/CK5BW	036	0.99	0.91								
CC5A/CD5AA	036	0.99	0.94	CK5PA	036	0.99	0.91												
CE3AA	036	0.98	0.94		042	0.99	0.91												
	042	0.99	0.93	CK5PT	036	0.99	0.91												
CK3BA	036	0.99	0.94		CK5PW	042	0.99	0.91											
CK5A/CK5BA	036	0.99	0.94	036		0.99	0.91												
CK5A/CK5BE	042	0.99	0.92	036	0.99	0.91													

See notes on page 32.

DETAILED COOLING CAPACITIES* Continued

EVAP AIR		CONDENSER ENTERING AIR TEMPERATURES °F																	
		75			85			95			105			115			125		
CFM	EWB	Capacity MBtu/h†		Total Sys kW**	Capacity MBtu/h†		Total Sys kW**	Capacity MBtu/h†		Total Sys kW**	Capacity MBtu/h†		Total Sys kW**	Capacity MBtu/h†		Total Sys kW**	Capacity MBtu/h†		Total Sys kW**
		Total	Sens‡		Total	Sens‡		Total	Sens‡		Total	Sens‡		Total	Sens‡		Total	Sens‡	
552AN036-F/G Outdoor Section With CK5A/CK5BA042 Indoor Section continued																			
1050	72	40.4	19.9	2.65	39.0	19.5	2.96	37.3	18.9	3.29	35.3	18.2	3.66	33.3	17.6	4.08	30.8	16.8	4.53
	67	38.2	26.0	2.63	36.3	25.3	2.93	34.5	24.6	3.25	32.5	23.9	3.62	30.4	23.1	4.01	26.5	21.6	4.41
	63††	35.9	25.7	2.62	34.1	24.9	2.91	32.0	23.9	3.23	29.7	23.0	3.57	26.9	21.8	3.94	23.7	20.4	4.33
	62	35.4	31.9	2.61	33.4	30.9	2.90	31.4	30.0	3.22	29.2	28.9	3.56	27.2	27.2	3.94	24.7	24.7	4.36
	57	33.5	33.5	2.59	31.6	31.6	2.87	29.7	29.7	3.19	28.7	28.7	3.55	27.2	27.2	3.94	24.6	24.6	4.35
1200	72	41.0	20.6	2.72	39.5	20.2	3.02	37.8	19.7	3.36	35.8	19.1	3.73	33.7	18.5	4.15	31.1	17.7	4.61
	67	38.6	27.4	2.69	36.7	26.6	2.98	35.0	26.1	3.32	33.0	25.5	3.69	30.8	24.7	4.09	26.8	23.2	4.48
	63††	36.5	27.1	2.68	34.7	26.4	2.98	32.5	25.5	3.29	30.2	24.5	3.64	27.3	23.3	4.00	24.0	21.9	4.40
	62	36.2	34.2	2.68	34.2	33.2	2.97	32.2	32.1	3.29	30.3	30.3	3.64	28.1	28.1	4.02	25.5	25.5	4.44
	57	35.7	35.7	2.67	33.7	33.7	2.96	31.8	31.8	3.28	30.7	30.7	3.65	28.4	28.4	4.03	25.6	25.6	4.44
1350	72	41.3	21.2	2.78	39.8	20.9	3.08	38.1	20.4	3.42	36.1	19.8	3.79	34.0	19.3	4.21	31.4	18.6	4.68
	67	38.8	28.4	2.75	37.1	27.9	3.05	35.4	27.6	3.38	33.5	27.1	3.75	31.2	26.3	4.15	27.1	24.7	4.55
	63††	36.9	28.5	2.74	35.2	27.9	3.04	32.9	26.9	3.35	30.5	25.9	3.70	27.6	24.7	4.07	24.3	23.3	4.47
	62	36.7	35.9	2.73	35.0	34.9	3.03	33.6	33.6	3.37	31.8	31.8	3.73	29.6	29.6	4.11	26.4	26.4	4.53
	57	36.6	36.6	2.73	35.2	35.2	3.03	33.6	33.6	3.37	31.8	31.8	3.73	29.4	29.4	4.11	26.4	26.4	4.53
Multipliers for Determining the Performance With Other Indoor Sections																			
Indoor Section		Size	Cooling		Indoor Section		Size	Cooling											
			Capacity	Power				Capacity	Power										
COILS + 315(A,J)AV066135 VARIABLE SPEED FURNACE					CK3BA														
CC5A/CD5AA		042	0.99		0.91		042		0.99		0.93								
CC5A/CD5AW		036	0.99		0.92		CK5A/CK5BA		036		0.99		0.94						
		042	0.98		0.91		CK5PA		036		0.99		0.94						
CE3AA		036	0.98		0.92		COILS + 355MAV042080 VARIABLE SPEED FURNACE												
		042	0.99		0.91		CC5A/CD5AA		042		0.99		0.93						
CK3BA		042	0.99		0.91		CC5A/CD5AW		036		0.99		0.93						
CK5A/CK5BA		042	0.99		0.91		CK3BA		042		0.99		0.93						
CK5A/CK5BT		042	0.99		0.91		CK5A/CK5BA		042		0.99		0.92						
CK5A/CK5BW		036	0.99		0.92		CK5A/CK5BW		036		0.99		0.93						
CK5PA		042	0.99		0.91		CK5PA		042		0.99		0.92						
CK5PT		042	0.99		0.91		CK5PW		036		0.99		0.93						
CK5PW		036	0.99		0.92		COILS + 355MAV060080 VARIABLE SPEED FURNACE												
COILS + 315(A,J)AV066155 VARIABLE SPEED FURNACE					CC5A/CD5AA					042									
CC5A/CD5AA		042	0.99		0.90		CC5A/CD5AW		036		0.99		0.94						
CC5A/CD5AW		036	0.99		0.92		CK3BA		042		0.99		0.93						
		042	0.98		0.90		CK5A/CK5BA		042		0.99		0.93						
CE3AA		036	0.98		0.92		CK5A/CK5BW		036		0.99		0.94						
		042	0.99		0.90		CK5PA		042		0.99		0.93						
CK3BA		042	0.99		0.90		CK5PW		036		0.99		0.94						
CK5A/CK5BA		042	0.99		0.90		COILS + 355MAV060100 VARIABLE SPEED FURNACE												
CK5A/CK5BT		042	0.99		0.90		CC5A/CD5AA		042		0.99		0.91						
CK5A/CK5BW		036	0.99		0.91		CC5A/CD5AW		036		0.99		0.91						
CK5PA		042	0.99		0.91		CK3BA		042		0.99		0.91						
CK5PT		042	0.99		0.91		CK5A/CK5BA		042		0.99		0.91						
CK5PW		036	0.99		0.91		CK5A/CK5BW		036		0.99		0.91						
COILS + 355MAV042040 VARIABLE SPEED FURNACE					CK5PA					042									
CC5A/CD5AA		042	0.99		0.93		CK5PW		036		0.99		0.91						
CC5A/CD5AW		036	0.99		0.94		COILS + 355MAV060120 VARIABLE SPEED FURNACE												
CK5A/CK5BA		042	0.99		0.93		CC5A/CD5AA		042		0.99		0.91						
CK5A/CK5BW		036	0.99		0.94		CC5A/CD5AW		036		0.99		0.92						
CK5PA		042	0.99		0.93		CK5A/CK5BA		042		0.99		0.91						
CK5PW		036	0.99		0.94		CK5A/CK5BW		036		0.99		0.92						
COILS + 355MAV042060 VARIABLE SPEED FURNACE					CK5PA					042									
CC5A/CD5AA		036	0.99		0.94		CK5PW		036		0.99		0.92						

See notes on page 32.

DETAILED COOLING CAPACITIES* Continued

EVAP AIR		CONDENSER ENTERING AIR TEMPERATURES °F																		
		75			85			95			105			115			125			
CFM	EWB	Capacity MBtu/h†		Total Sys kW**	Capacity MBtu/h†		Total Sys kW**	Capacity MBtu/h†		Total Sys kW**	Capacity MBtu/h†		Total Sys kW**	Capacity MBtu/h†		Total Sys kW**	Capacity MBtu/h†		Total Sys kW**	
		Total	Sens‡		Total	Sens‡		Total	Sens‡		Total	Sens‡		Total	Sens‡		Total	Sens‡		
552AN042-F Outdoor Section With CK5A/CK5BA048 Indoor Section																				
1225	72	46.2	22.9	3.13	44.9	22.5	3.49	42.8	21.8	3.88	40.4	21.0	4.31	37.9	20.2	4.78	35.1	19.3	5.33	
	67	43.8	30.2	3.10	41.7	29.4	3.44	39.5	28.5	3.82	37.1	27.6	4.24	33.5	26.1	4.68	29.4	24.6	5.17	
	63††	38.4	28.3	3.03	35.6	27.1	3.34	32.7	25.9	3.70	31.0	25.2	4.11	29.2	24.4	4.58	25.6	23.0	5.06	
	62	37.9	35.5	3.02	35.2	34.2	3.34	32.7	32.7	3.69	31.3	31.3	4.12	29.8	29.8	4.59	27.7	27.7	5.12	
	57	37.1	37.1	3.00	34.9	34.9	3.33	32.7	32.7	3.70	31.7	31.7	4.13	30.4	30.4	4.61	27.7	27.7	5.12	
1400	72	46.8	23.7	3.21	45.0	23.2	3.56	43.0	22.5	3.95	40.7	21.8	4.38	38.3	21.2	4.87	35.4	20.3	5.41	
	67	44.3	31.8	3.18	42.1	30.8	3.51	40.0	30.2	3.90	37.6	29.4	4.33	33.9	27.9	4.77	29.8	26.4	5.26	
	63††	39.6	30.3	3.11	36.7	29.1	3.43	34.0	27.9	3.79	32.3	27.2	4.21	30.4	26.5	4.68	26.8	24.9	5.16	
	62	39.0	38.1	3.10	36.7	36.7	3.43	35.4	35.4	3.81	34.0	34.0	4.25	32.1	32.1	4.72	28.9	28.9	5.22	
	57	38.6	38.6	3.10	37.4	37.4	3.44	35.2	35.2	3.81	34.1	34.1	4.25	31.9	31.9	4.72	29.1	29.1	5.23	
1575	72	47.3	24.5	3.29	45.6	24.1	3.64	43.5	23.5	4.03	41.1	22.8	4.46	38.6	22.2	4.96	35.7	21.3	5.50	
	67	44.7	32.2	3.25	42.2	32.1	3.58	40.2	31.7	3.97	38.0	31.0	4.40	34.6	29.8	4.85	30.4	28.2	5.35	
	63††	41.8	32.7	3.21	37.9	31.1	3.52	35.1	29.9	3.88	33.4	29.2	4.30	31.1	28.2	4.77	27.0	26.4	5.24	
	62	41.3	41.1	3.20	39.3	39.3	3.54	37.8	37.8	3.93	36.3	36.3	4.36	33.2	33.2	4.82	29.9	29.9	5.33	
	57	41.1	41.1	3.20	39.6	39.6	3.55	37.4	37.4	3.92	36.2	36.2	4.36	33.1	33.1	4.82	30.3	30.3	5.34	
Multipliers for Determining the Performance With Other Indoor Sections																				
Indoor Section	Size	Cooling		Indoor Section	Size	Cooling														
		Capacity	Power			Capacity	Power													
CC5A/CD5AC	048	0.99	1.00	CK3BA	042	0.98	0.92													
CC5A/CD5AW	042	0.99	1.00		048	0.99	0.92													
CD5AA	048	1.00	1.00	CK5A/CK5BA	042	0.98	0.92													
	048	1.00	1.00		048	0.99	0.92													
CE3AA	042	0.99	0.99	CK5A/CK5BE	042	0.99	0.93													
CF5AA	048	0.99	0.99		CK5A/CK5BT	042	0.98	0.92												
	048	0.99	0.99	048		0.99	0.92													
CK3BA	042	0.99	0.99	CK5PA	042	0.98	0.92													
	048	1.00	1.00		048	0.99	0.92													
CK5A/CK5BA	042	0.99	0.99	CK5PE	042	0.99	0.93													
	048	1.00	1.00		CK5PT	042	0.98	0.92												
CK5A/CK5BT	042	0.99	0.99	048		0.99	0.92													
	048	1.00	1.00	COILS + 315(A,J)AV066110 VARIABLE SPEED FURNACE																
CK5A/CK5BW	048	1.00	1.00	CC5A/CD5AA	042	0.98	0.91													
CK5PA	042	0.99	0.99	CC5A/CD5AC	048	0.98	0.91													
	048	1.00	1.00	CC5A/CD5AW	042	0.98	0.92													
CK5PT	042	0.99	0.99	048	0.99	0.91														
	048	1.00	1.00	CD5AA	048	0.99	0.91													
CK5PW	048	1.00	1.00	CE3AA	042	0.98	0.91													
F(A,B)4(A,B)N(F,B,C)	042	0.99	1.01	048	0.99	0.92														
	048	1.00	1.00	CK3BA	042	0.98	0.91													
FC4(B,C)N(F,B)	042	0.96	1.00		048	0.99	0.91													
	048	0.99	1.01	CK5A/CK5BA	042	0.98	0.91													
FC4(B,C)NB	054	1.01	0.97		048	0.99	0.91													
FG3AAA	048	1.00	1.00	CK5A/CK5BT	042	0.98	0.91													
FK4(C,D)NB	006	1.01	0.89		048	0.99	0.91													
FK4(C,D)NF	003	0.96	0.91	CK5A/CK5BW	048	0.99	0.91													
	005	1.00	0.91		CK5PA	042	0.98	0.91												
FV4(A,B)NB	006	1.01	0.89	048		0.99	0.91													
FV4(A,B)NF	003	0.96	0.91	CK5PT	042	0.98	0.91													
	005	1.01	0.92		048	0.99	0.91													
FX4(A,B)NF	042	0.96	0.98	CK5PW	048	0.99	0.91													
	048	0.99	0.99		COILS + 315(A,J)AV066135 VARIABLE SPEED FURNACE															
COILS + 315(A,J)AV048090 VARIABLE SPEED FURNACE				CC5A/CD5AA	042	0.98	0.91													
CC5A/CD5AA	042	0.98	0.92	CC5A/CD5AC	048	0.98	0.91													
CC5A/CD5AC	048	0.98	0.92	CC5A/CD5AW	042	0.98	0.92													
CD5AA	048	0.99	0.92	048	0.99	0.91														
CE3AA	042	0.98	0.92	CD5AA	048	0.99	0.91													
	048	0.99	0.92		—	—	—													

See notes on page 32.

DETAILED COOLING CAPACITIES* Continued

EVAP AIR		CONDENSER ENTERING AIR TEMPERATURES °F																	
		75			85			95			105			115			125		
CFM	EWB	Capacity MBtu/h†		Total Sys kW**	Capacity MBtu/h†		Total Sys kW**	Capacity MBtu/h†		Total Sys kW**	Capacity MBtu/h†		Total Sys kW**	Capacity MBtu/h†		Total Sys kW**	Capacity MBtu/h†		Total Sys kW**
		Total	Sens‡		Total	Sens‡		Total	Sens‡		Total	Sens‡		Total	Sens‡		Total	Sens‡	
552AN042-F Outdoor Section With CK5A/CK5BA048 Indoor Section continued																			
1225	72	46.2	22.9	3.13	44.9	22.5	3.49	42.8	21.8	3.88	40.4	21.0	4.31	37.9	20.2	4.78	35.1	19.3	5.33
	67	43.8	30.2	3.10	41.7	29.4	3.44	39.5	28.5	3.82	37.1	27.6	4.24	33.5	26.1	4.68	29.4	24.6	5.17
	63††	38.4	28.3	3.03	35.6	27.1	3.34	32.7	25.9	3.70	31.0	25.2	4.11	29.2	24.4	4.58	25.6	23.0	5.06
	62	37.9	35.5	3.02	35.2	34.2	3.34	32.7	32.7	3.69	31.3	31.3	4.12	29.8	29.8	4.59	27.7	27.7	5.12
	57	37.1	37.1	3.00	34.9	34.9	3.33	32.7	32.7	3.70	31.7	31.7	4.13	30.4	30.4	4.61	27.7	27.7	5.12
1400	72	46.8	23.7	3.21	45.0	23.2	3.56	43.0	22.5	3.95	40.7	21.8	4.38	38.3	21.2	4.87	35.4	20.3	5.41
	67	44.3	31.8	3.18	42.1	30.8	3.51	40.0	30.2	3.90	37.6	29.4	4.33	33.9	27.9	4.77	29.8	26.4	5.26
	63††	39.6	30.3	3.11	36.7	29.1	3.43	34.0	27.9	3.79	32.3	27.2	4.21	30.4	26.5	4.68	26.8	24.9	5.16
	62	39.0	38.1	3.10	36.7	36.7	3.43	35.4	35.4	3.81	34.0	34.0	4.25	32.1	32.1	4.72	28.9	28.9	5.22
	57	38.6	38.6	3.10	37.4	37.4	3.44	35.2	35.2	3.81	34.1	34.1	4.25	31.9	31.9	4.72	29.1	29.1	5.23
1575	72	47.3	24.5	3.29	45.6	24.1	3.64	43.5	23.5	4.03	41.1	22.8	4.46	38.6	22.2	4.96	35.7	21.3	5.50
	67	44.7	33.2	3.25	42.2	32.1	3.58	40.2	31.7	3.97	38.0	31.0	4.40	34.6	29.8	4.85	30.4	28.2	5.35
	63††	41.8	32.7	3.21	37.9	31.1	3.52	35.1	29.9	3.88	33.4	29.2	4.30	31.1	28.2	4.77	27.0	26.4	5.24
	62	41.3	41.1	3.20	39.3	39.3	3.54	37.8	37.8	3.93	36.3	36.3	4.36	33.2	33.2	4.82	29.9	29.9	5.33
	57	41.1	41.1	3.20	39.6	39.6	3.55	37.4	37.4	3.92	36.2	36.2	4.36	33.1	33.1	4.82	30.3	30.3	5.34
Multipliers for Determining the Performance With Other Indoor Sections																			
Indoor Section	Size	Cooling		Indoor Section	Size	Cooling													
		Capacity	Power			Capacity	Power												
CE3AA	042	0.98		COILS + 355MAV042060 VARIABLE SPEED FURNACE															
	048	0.99		CK3BA	042	0.98													
CK3BA	042	0.98		CK5A/CK5BE	042	0.99													
	048	0.99		CK5PE	042	0.99													
CK5A/CK5BA	042	0.98		COILS + 355MAV042080 VARIABLE SPEED FURNACE															
	048	0.99		CC5A/CD5AA	042	0.98													
CK5A/CK5BT	042	0.98		CC5A/CD5AC	048	0.98													
	048	0.99		CD5AA	048	0.99													
CK5A/CK5BW	048	0.99		CK3BA	042	0.98													
	CK5PA	042	0.98		048	0.99													
CK5PT		042	0.98		CK5A/CK5BA	042	0.98												
	048	0.99		048		0.99													
CK5PW	048	0.99		CK5PA	042	0.98													
					048	0.99													
COILS + 315(A,J)AV066155 VARIABLE SPEED FURNACE				COILS + 355MAV060080 VARIABLE SPEED FURNACE															
CC5A/CD5AA	042	0.98		CC5A/CD5AA	042	0.98													
CC5A/CD5AC	048	0.98		CC5A/CD5AC	048	0.98													
CC5A/CD5AW	042	0.98		CD5AA	048	0.99													
	048	0.99			048	0.99													
CD5AA	048	0.99		CK3BA	042	0.98													
	CE3AA	042	0.98		048	0.99													
048		0.99		CK5A/CK5BA	042	0.98													
CK3BA	042	0.98			048	0.99													
	048	0.99		CK5PA	042	0.98													
			048		0.99														
CK5A/CK5BA	042	0.98		COILS + 355MAV060100 VARIABLE SPEED FURNACE															
	048	0.99		CC5A/CD5AA	042	0.98													
CK5A/CK5BT	042	0.98		CC5A/CD5AC	048	0.98													
	048	0.99		CD5AA	048	0.99													
CK5A/CK5BW	048	0.99		CK3BA	042	0.98													
	CK5PA	042	0.98		048	0.99													
048		0.99		CK5A/CK5BA	042	0.98													
CK5PT	042	0.98			048	0.99													
	048	0.99		CK5PA	042	0.98													
CK5PW	048	0.99			048	0.99													
	COILS + 355MAV042040 VARIABLE SPEED FURNACE				COILS + 355MAV060120 VARIABLE SPEED FURNACE														
CC5A/CD5AA	042	0.98		CC5A/CD5AA	042	0.98													
CC5A/CD5AW	048	0.99		CC5A/CD5AW	048	0.99													
CK5A/CK5BA	042	0.98		CK5A/CK5BA	042	0.98													
CK5A/CK5BW	048	0.99		CK5A/CK5BW	048	0.99													
CK5PA	042	0.98		CK5PA	042	0.98													
CK5PW	048	0.99		CK5PW	048	0.99													

See notes on page 32.

DETAILED COOLING CAPACITIES* Continued

EVAP AIR		CONDENSER ENTERING AIR TEMPERATURES °F																		
		75			85			95			105			115			125			
CFM	EWB	Capacity MBtuh†		Total Sys kW**	Capacity MBtuh†		Total Sys kW**	Capacity MBtuh†		Total Sys kW**	Capacity MBtuh†		Total Sys kW**	Capacity MBtuh†		Total Sys kW**	Capacity MBtuh†		Total Sys kW**	
		Total	Sens‡		Total	Sens‡		Total	Sens‡		Total	Sens‡		Total	Sens‡		Total	Sens‡		Total
552AN048-F Outdoor Section With CK5A/CK5BA060 Indoor Section																				
1400	72	53.9	26.9	3.58	51.7	26.2	3.98	49.2	25.4	4.42	46.4	24.5	4.90	43.6	23.6	5.45	40.3	22.5	6.07	
	67	50.4	35.1	3.52	48.0	34.2	3.90	45.4	33.2	4.34	42.8	32.3	4.82	39.5	31.1	5.35	34.7	29.2	5.90	
	63††	47.3	34.5	3.48	44.9	33.5	3.85	42.4	32.4	4.28	38.8	30.9	4.73	34.8	29.2	5.22	30.0	27.2	5.75	
	62	46.7	43.1	3.46	44.4	42.0	3.84	41.7	40.7	4.26	39.0	39.0	4.73	36.0	36.0	5.25	32.3	32.3	5.82	
	57	45.4	45.4	3.44	42.8	42.8	3.82	40.1	40.1	4.23	38.4	38.4	4.72	35.5	35.5	5.24	32.3	32.3	5.83	
1600	72	54.1	27.7	3.66	52.0	27.0	4.06	49.6	26.4	4.50	47.1	25.7	5.01	44.2	24.9	5.56	40.6	23.8	6.18	
	67	50.8	36.8	3.60	48.6	36.2	3.99	46.0	35.4	4.43	43.4	34.5	4.92	40.1	33.4	5.45	35.2	31.5	6.01	
	63††	47.9	36.4	3.55	45.7	35.6	3.95	43.1	34.5	4.37	39.3	33.0	4.82	35.2	31.3	5.31	30.3	29.2	5.84	
	62	47.7	46.2	3.56	45.4	45.0	3.94	43.0	43.0	4.37	40.4	40.4	4.85	37.2	37.2	5.37	33.3	33.3	5.95	
	57	47.4	47.4	3.55	44.9	44.9	3.93	43.3	43.3	4.38	41.0	41.0	4.86	37.8	37.8	5.38	34.1	34.1	5.96	
1800	72	54.7	28.7	3.75	52.6	28.1	4.15	50.3	27.7	4.60	47.4	26.8	5.09	44.4	26.1	5.64	40.9	25.0	6.28	
	67	51.3	38.6	3.69	49.1	38.2	4.08	46.5	37.4	4.51	43.8	36.6	5.00	40.6	35.5	5.55	35.7	33.7	6.11	
	63††	48.4	38.2	3.64	46.2	37.6	4.03	43.6	36.6	4.46	40.1	35.1	4.92	35.6	33.2	5.40	30.8	30.8	5.94	
	62	48.7	48.6	3.65	46.4	46.4	4.03	44.4	44.4	4.47	42.2	42.2	4.97	38.5	38.5	5.49	34.4	34.4	6.07	
	57	48.5	48.5	3.64	46.4	46.4	4.03	44.3	44.3	4.47	42.2	42.2	4.97	39.6	39.6	5.51	35.2	35.2	6.09	
Multipliers for Determining the Performance With Other Indoor Sections																				
Indoor Section	Size	Cooling		Indoor Section	Size	Cooling														
		Capacity	Power			Capacity	Power													
CC5A/CD5AA	060	0.98	1.00	CE3AA	048	0.97	0.95													
CC5A/CD5AC	048	0.96	0.99		060	0.98	0.93													
CC5A/CD5AW	048	0.98	1.00	CK3BA	048	0.97	0.95													
	060	1.01	1.02	CK5A/CK5BA	048	0.97	0.95													
CD5AA	048	0.98	1.00	CK5A/CK5BT	048	0.97	0.95													
CE3AA	048	0.98	0.99	CK5PA	048	0.97	0.95													
	060	1.00	1.00	CK5PT	048	0.97	0.95													
CF5AA	048	0.96	0.98	COILS + 315(A,J)AV066110 VARIABLE SPEED FURNACE																
CK3BA	048	0.98	1.00	CC5A/CD5AA	060	0.98	0.94													
	060	1.00	1.00	CC5A/CD5AC	048	0.96	0.93													
CK5A/CK5BA	048	0.98	1.00	CC5A/CD5AW	048	0.97	0.93													
	060	1.00	1.00	CD5AA	048	0.97	0.93													
CK5A/CK5BT	048	0.98	1.00	CD5PX	060	0.99	0.92													
	060	1.00	1.00	CE3AA	048	0.97	0.93													
CK5A/CK5BW	048	0.98	1.00		060	0.98	0.92													
CK5A/CK5BX	060	1.01	1.00	CK3BA	048	0.97	0.93													
	048	0.98	1.00		060	0.98	0.92													
CK5PA	048	0.98	1.00	CK5A/CK5BA	048	0.97	0.93													
	060	1.00	1.00		048	0.97	0.93													
CK5PT	048	0.98	1.00		060	0.98	0.92													
	060	1.00	1.00	CK5A/CK5BT	048	0.97	0.93													
CK5PW	048	0.98	1.00		060	0.98	0.92													
CK5PX	060	1.01	1.00	CK5A/CK5BW	0.48	0.97	0.93													
F(A,B)4(A,B)N(F,B,C)	048	0.98	1.01	CK5A/CK5BX	060	0.99	0.91													
	060	1.00	1.03	CK5PA	048	0.97	0.93													
FB4(A,B)NB	070	1.01	1.01		060	0.98	0.92													
FC4(B,C)N(F,B)	048	0.97	1.01	CK5PT	048	0.97	0.93													
	060	0.98	1.02		060	0.98	0.92													
FC4(B,C)NB	054	0.98	0.98	CK5PW	048	0.97	0.93													
	070	1.00	1.01	CK5PX	060	0.99	0.91													
FG3AAA	048	0.96	0.98	COILS + 315(A,J)AV066135 VARIABLE SPEED FURNACE																
	060	0.98	0.99	CC5A/CD5AA	060	0.97	0.93													
FK4(C,D)NB	006	1.00	0.92	CC5A/CD5AC	048	0.96	0.93													
FK4(C,D)NF	005	0.98	0.92	CC5A/CD5AW	048	0.97	0.94													
FV4(A,B)NB	006	1.00	0.92		060	0.99	0.93													
FV4(A,B)NF	005	0.98	0.92	CD5AA	048	0.97	0.93													
FX4(A,B)NB	060	0.99	1.00	CE3AA	048	0.97	0.94													
	048	0.98	1.00		060	0.98	0.92													
COILS + 315(A,J)AV048090 VARIABLE SPEED FURNACE				CK3BA	048	0.97	0.94													
CC5A/CD5AC	048	0.95	0.94		060	0.98	0.92													
CD5AA	048	0.97	0.95	CK5A/CK5BA	048	0.97	0.94													
	—	—	—		060	0.98	0.92													

See notes on page 32.

DETAILED COOLING CAPACITIES* Continued

EVAP AIR		CONDENSER ENTERING AIR TEMPERATURES °F																	
		75			85			95			105			115			125		
CFM	EWB	Capacity MBtu/h†		Total Sys kW**	Capacity MBtu/h†		Total Sys kW**	Capacity MBtu/h†		Total Sys kW**	Capacity MBtu/h†		Total Sys kW**	Capacity MBtu/h†		Total Sys kW**	Capacity MBtu/h†		Total Sys kW**
		Total	Sens‡		Total	Sens‡		Total	Sens‡		Total	Sens‡		Total	Sens‡		Total	Sens‡	
552AN048-F Outdoor Section With CK5A/CK5BA060 Indoor Section continued																			
1400	72	53.9	26.9	3.58	51.7	26.2	3.98	49.2	25.4	4.42	46.4	24.5	4.90	43.6	23.6	5.45	40.3	22.5	6.07
	67	50.4	35.1	3.52	48.0	34.2	3.90	45.4	33.2	4.34	42.8	32.3	4.82	39.5	31.1	5.35	34.7	29.2	5.90
	63††	47.3	34.5	3.48	44.9	33.5	3.85	42.4	32.4	4.28	38.8	30.9	4.73	34.8	29.2	5.22	30.0	27.2	5.75
	62	46.7	43.1	3.46	44.4	42.0	3.84	41.7	40.7	4.26	39.0	39.0	4.73	36.0	36.0	5.25	32.3	32.3	5.82
	57	45.4	45.4	3.44	42.8	42.8	3.82	40.1	40.1	4.23	38.4	38.4	4.72	35.5	35.5	5.24	32.3	32.3	5.83
1600	72	54.1	27.7	3.66	52.0	27.0	4.06	49.6	26.4	4.50	47.1	25.7	5.01	44.2	24.9	5.56	40.6	23.8	6.18
	67	50.8	36.8	3.60	48.6	36.2	3.99	46.0	35.4	4.43	43.4	34.5	4.92	40.1	33.4	5.45	35.2	31.5	6.01
	63††	47.9	36.4	3.55	45.7	35.6	3.95	43.1	34.5	4.37	39.3	33.0	4.82	35.2	31.3	5.31	30.3	29.2	5.84
	62	47.7	46.2	3.56	45.4	45.0	3.94	43.0	43.0	4.37	40.4	40.4	4.85	37.2	37.2	5.37	33.3	33.3	5.95
	57	47.4	47.4	3.55	44.9	44.9	3.93	43.3	43.3	4.38	41.0	41.0	4.86	37.8	37.8	5.38	34.1	34.1	5.96
1800	72	54.7	28.7	3.75	52.6	28.1	4.15	50.3	27.7	4.60	47.4	26.8	5.09	44.4	26.1	5.64	40.9	25.0	6.28
	67	51.3	38.6	3.69	49.1	38.2	4.08	46.5	37.4	4.51	43.8	36.6	5.00	40.6	35.5	5.55	35.7	33.7	6.11
	63††	48.4	38.2	3.64	46.2	37.6	4.03	43.6	36.6	4.46	40.1	35.1	4.92	35.6	33.2	5.40	30.8	30.8	5.94
	62	48.7	48.6	3.65	46.4	46.4	4.03	44.4	44.4	4.47	42.2	42.2	4.97	38.5	38.5	5.49	34.4	34.4	6.07
	57	48.5	48.5	3.64	46.4	46.4	4.03	44.3	44.3	4.47	42.2	42.2	4.97	39.6	39.6	5.51	35.2	35.2	6.09
Multipliers for Determining the Performance With Other Indoor Sections																			
Indoor Section	Size	Cooling		Indoor Section	Size	Cooling													
		Capacity	Power			Capacity	Power												
CK5A/CK5BT	048	0.97	0.94	CK5A/CK5BA	048	0.97	0.97												
	060	0.98	0.92		CK5PA	048	0.97	0.97											
CK5A/CK5BW	048	0.97	0.94	COILS + 355MAV060080 VARIABLE SPEED FURNACE															
CK5A/CK5BX	060	0.99	0.91	CC5A/CD5AW	060	0.99	0.98												
CK5PA	048	0.97	0.93	CK3BA	048	0.97	0.98												
	060	0.98	0.92		060	0.98	0.97												
CK5PT	048	0.97	0.93	CK5A/CK5BA	060	0.98	0.97												
	060	0.98	0.92	CK5A/CK5BX	060	1.00	0.97												
CK5PW	048	0.97	0.93	CK5PA	060	0.98	0.97												
CK5PX	060	0.99	0.91	CK5PX	060	1.00	0.97												
COILS + 315(A,J)AV066155 VARIABLE SPEED FURNACE				COILS + 355MAV060100 VARIABLE SPEED FURNACE															
CC5A/CD5AA	060	0.98	0.93	CC5A/CD5AA	060	0.97	0.95												
CC5A/CD5AC	048	0.96	0.93	CC5A/CD5AC	048	0.96	0.96												
CC5A/CD5AW	048	0.97	0.92	CC5A/CD5AW	060	0.99	0.95												
	060	0.99	0.92	CD5AA	048	0.97	0.95												
CD5AA	048	0.97	0.92	CK3BA	048	0.97	0.95												
CE3AA	048	0.97	0.93		060	0.98	0.97												
	060	0.98	0.91	CK5A/CK5BA	048	0.97	0.95												
CK3BA	048	0.97	0.93		060	0.98	0.94												
	060	0.98	0.91	CK5A/CK5BX	060	1.00	0.95												
CK5A/CK5BA	048	0.97	0.93	CK5PA	048	0.97	0.95												
	060	0.98	0.91		060	0.98	0.94												
CK5A/CK5BT	048	0.97	0.93	CK5PX	060	1.00	0.95												
	060	0.98	0.91	COILS + 355MAV060120 VARIABLE SPEED FURNACE															
CK5A/CK5BW	048	0.97	0.93	CC5A/CD5AA	060	0.97	0.95												
CK5A/CK5BX	060	0.99	0.91	CC5A/CD5AW	048	0.98	0.96												
	CK5PA	048	0.97		0.93	060	0.99	0.94											
060		0.98	0.91	CK3BA	060	0.98	0.96												
CK5PT	048	0.97	0.93	CK5A/CK5BA	060	0.98	0.94												
	060	0.98	0.91	CK5A/CK5BW	048	0.97	0.94												
CK5PW	048	0.97	0.93	CK5A/CK5BX	060	1.00	0.94												
CK5PX	060	0.99	0.91	CK5PA	060	0.98	0.94												
COILS + 355MAV042080 VARIABLE SPEED FURNACE				CK5PW	048	0.97	0.94												
CD5AA	048	0.97	0.97	CK5PX	060	1.00	0.94												
CK3BA	048	0.97	0.97	—	—	—	—												

See notes on page 32.

DETAILED COOLING CAPACITIES* Continued

EVAP AIR		CONDENSER ENTERING AIR TEMPERATURES °F																					
		75				85				95				105				115				125	
CFM	EWB	Capacity MBtuh†		Total Sys kW**	Capacity MBtuh†		Total Sys kW**	Capacity MBtuh†		Total Sys kW**	Capacity MBtuh†		Total Sys kW**	Capacity MBtuh†		Total Sys kW**	Capacity MBtuh†		Total Sys kW**				
		Total	Sens‡		Total	Sens‡		Total	Sens‡		Total	Sens‡		Total	Sens‡		Total	Sens‡		Total	Sens‡		
552AN060-F Outdoor Section With CK5A/CK5BA060 Indoor Section																							
1600	72	66.5	32.5	4.51	64.0	31.7	5.03	61.2	30.7	5.60	57.9	29.6	6.25	54.3	28.3	6.97	50.2	27.0	7.76				
	67	62.4	41.9	4.44	59.6	40.8	4.95	56.4	39.5	5.50	53.0	38.2	6.13	49.5	36.9	6.83	43.3	34.5	7.53				
	63††	55.7	39.9	4.33	52.2	38.3	4.81	48.5	36.7	5.34	46.5	35.9	5.97	43.7	34.7	6.66	38.4	32.5	7.35				
	62	54.4	49.4	4.31	51.0	47.8	4.79	47.5	46.1	5.32	45.7	45.1	5.95	43.7	43.7	6.66	39.9	39.9	7.41				
	57	51.3	51.3	4.25	48.4	48.4	4.74	47.0	47.0	5.30	45.4	45.4	5.94	43.4	43.4	6.65	39.6	39.6	7.40				
1800	72	67.2	33.5	4.60	64.8	32.7	5.12	61.9	31.8	5.70	58.6	30.8	6.35	54.6	29.4	7.03	50.5	28.1	7.82				
	67	62.9	43.6	4.52	60.1	42.6	5.02	57.0	41.5	5.59	53.7	40.3	6.22	50.1	39.1	6.92	44.0	36.7	7.64				
	63††	58.6	42.9	4.46	55.0	41.3	4.94	51.2	39.7	5.47	49.2	38.8	6.11	44.4	36.8	6.76	39.2	34.7	7.47				
	62	57.5	53.4	4.44	54.0	51.7	4.92	50.6	50.0	5.46	48.8	48.8	6.10	45.6	45.6	6.79	41.6	41.6	7.55				
	57	54.7	54.7	4.39	51.8	51.8	4.88	50.2	50.2	5.45	48.5	48.5	6.10	45.6	45.6	6.79	41.6	41.6	7.55				
2000	72	67.6	34.3	4.68	65.3	33.7	5.21	62.4	32.9	5.79	58.6	31.6	6.42	55.0	30.5	7.13	50.9	29.2	7.92				
	67	63.6	45.4	4.61	60.7	44.5	5.12	57.6	43.5	5.68	54.3	42.4	6.32	50.7	41.2	7.02	44.4	38.8	7.74				
	63††	60.3	45.2	4.56	57.2	43.9	5.06	53.8	42.5	5.60	50.5	41.1	6.23	45.1	38.9	6.86	39.9	36.7	7.57				
	62	59.7	57.0	4.55	56.7	55.4	5.05	53.4	53.4	5.60	51.2	51.2	6.24	47.2	47.2	6.92	43.1	43.1	7.69				
	57	57.8	57.8	4.52	55.1	55.1	5.02	53.2	53.2	5.59	51.2	51.2	6.24	47.4	47.4	6.92	43.3	43.3	7.69				
Multipliers for Determining the Performance With Other Indoor Sections																							
Indoor Section	Size	Cooling		Indoor Section	Size	Cooling																	
		Capacity	Power			Capacity	Power																
CC5A/CD5AA	060	0.96	0.99	CK5PA	060	1.02	0.99																
CC5A/CD5AW	060	1.02	1.02	CK5PT	060	1.02	0.99																
CD5PX	060	1.03	1.02	CK5PX	060	1.02	0.97																
CE3AA	060	1.00	1.00	COILS + 315(A,J)AV066135 VARIABLE SPEED FURNACE																			
CK3BA	060	1.00	1.00	CC5A/CD5AA	060	0.98	0.98																
CK5A/CK5BA	060	1.00	1.00	CC5A/CD5AW	060	1.02	0.99																
CK5A/CK5BT	060	1.00	1.00	CE3AA	060	1.02	0.98																
CK5A/CK5BX	060	1.02	1.00	CK3BA	060	1.02	0.99																
CK5PA	060	1.00	1.00	CK5A/CK5BA	060	1.02	0.99																
CK5PT	060	1.00	1.00	CK5A/CK5BT	060	1.02	0.99																
CK5PX	060	1.02	1.00	CK5A/CK5BX	060	1.02	0.97																
F(A,B)4(A,B)N(F,B,C)	060	1.00	1.03	CK5PA	060	1.02	0.99																
FB4(A,B)NB	070	1.02	1.01	CK5PT	060	1.02	0.99																
FC4(B,C)N(F,B)	060	1.00	1.04	CK5PX	060	1.02	0.97																
FC4(B,C)NB	070	1.02	1.02	COILS + 315(A,J)AV066155 VARIABLE SPEED FURNACE																			
FG3AAA	060	0.98	0.99	CC5A/CD5AA	060	0.98	0.97																
FK4(C,D)NB	006	1.02	0.97	CC5A/CD5AW	060	1.02	1.00																
FV4(A,B)NB	006	1.02	0.97	CD5PX	060	1.03	0.98																
FX4(A,B)NB	060	0.98	0.99	CE3AA	060	1.02	0.97																
COILS + 315(A,J)AV066110 VARIABLE SPEED FURNACE				CK3BA	060	1.02	0.98																
CC5A/CD5AA	060	0.98	0.98	CK5A/CK5BA	060	1.02	0.98																
CD5PX	060	1.03	0.99	CK5A/CK5BT	060	1.02	0.98																
CE3AA	060	1.02	0.98	CK5A/CK5BX	060	1.02	0.97																
CK3BA	060	1.02	0.99	CK5PA	060	1.02	0.98																
CK5A/CK5BA	060	1.02	0.99	CK5PT	060	1.02	0.98																
CK5A/CK5BT	060	1.02	0.99	CK5PX	060	1.02	0.97																
CK5A/CK5BX	060	1.02	0.97	—	—	—	—																

NOTE: When the required data fall between the published data, interpolation may be performed. Extrapolation is not an acceptable practice.

* Detailed cooling capacities are based on indoor and outdoor unit at the same elevation per ARI standard 210/240-94. If additional tubing length and/or indoor unit is located above outdoor unit, a slight variation in capacity may occur.

† Total and sensible capacities are net capacities. Blower motor heat has been subtracted.

‡ Sensible capacities shown are based on 80°F (27°C) entering air at the indoor coil. For sensible capacities at other than 80°F (27°C), deduct 835 Btuh (245 kW) per 1000 CFM (480 L/S) of indoor coil air for each degree below 80°F (27°C), or add 835 Btuh (245 kW) per 1000 CFM (480 L/S) of indoor coil air per degree above 80°F (27°C).

** Total unit kW is total of indoor and outdoor unit kilowatts.

†† At TVA rating indoor condition (75°F edb/63°F ewb). All other indoor air temperatures are at 80°F edb.

CONDENSER ONLY RATINGS*

SST °F		CONDENSER ENTERING AIR TEMPERATURES °F							
		55	65	75	85	95	105	115	125
552AN018-F									
30	TCG	16.0	15.1	14.3	13.4	12.4	11.5	10.5	9.50
	SDT	67.7	77.4	87.0	96.7	106.4	116.1	125.8	135.2
	KW	0.80	0.92	1.06	1.21	1.38	1.56	1.76	1.97
35	TCG	17.6	16.6	15.7	14.8	13.8	12.8	11.7	10.6
	SDT	68.7	78.3	88.0	97.6	107.2	116.8	126.4	135.8
	KW	0.81	0.92	1.06	1.22	1.39	1.57	1.77	1.99
40	TCG	19.3	18.3	17.3	16.2	15.2	14.1	13.0	11.8
	SDT	69.8	79.4	89.0	98.6	108.1	117.7	127.2	136.6
	KW	0.82	0.93	1.07	1.23	1.40	1.58	1.79	2.00
45	TCG	21.1	20.0	18.9	17.8	16.70	15.5	14.3	13.0
	SDT	71.0	80.6	90.1	99.7	109.2	118.6	128.1	137.4
	KW	0.83	0.95	1.08	1.24	1.41	1.59	1.80	2.02
50	TCG	23.0	21.8	20.6	19.5	18.3	17.0	15.7	14.3
	SDT	72.3	81.8	91.3	100.8	110.3	119.7	129.1	138.3
	KW	0.84	0.96	1.09	1.25	1.42	1.61	1.81	2.03
55	TCG	25.0	23.8	22.5	21.2	19.9	18.6	17.2	15.7
	SDT	73.7	83.1	92.6	102.0	111.4	120.8	130.1	139.3
	KW	0.85	0.97	1.11	1.26	1.44	1.62	1.83	2.05
552AN024-F									
30	TCG	23.5	22.2	20.9	19.6	18.3	17.0	15.6	14.2
	SDT	74.0	83.8	93.5	103.	113.	123.	132.	142.
	KW	1.17	1.33	1.52	1.72	1.93	2.16	2.40	2.67
35	TCG	25.8	24.4	23.0	21.5	20.1	18.6	17.2	15.6
	SDT	75.5	85.2	94.9	105.	114.	124.	133.	143.
	KW	1.17	1.34	1.53	1.73	1.95	2.18	2.43	2.69
40	TCG	28.2	26.7	25.1	23.6	22.0	20.4	18.8	17.0
	SDT	77.1	86.7	96.3	106.	116.	125.	135.	144.
	KW	1.18	1.35	1.54	1.74	1.97	2.21	2.46	2.72
45	TCG	30.8	29.1	27.4	25.8	24.1	22.3	20.5	18.6
	SDT	78.7	88.2	97.8	107.	117.	127.	136.	145.
	KW	1.18	1.36	1.55	1.76	1.98	2.23	2.49	2.75
50	TCG	33.5	31.7	29.9	28.1	26.2	24.3	22.3	20.2
	SDT	80.5	89.9	99.4	109.	118.	128.	137.	146.
	KW	1.18	1.36	1.56	1.77	2.00	2.25	2.51	2.78
55	TCG	36.4	34.4	32.5	30.5	28.5	26.4	24.2	22.0
	SDT	82.3	91.7	101.	111.	120.	129.	139.	148.
	KW	1.19	1.37	1.57	1.79	2.02	2.27	2.54	2.81
552AN024-G									
30	TCG	21.6	20.0	18.4	16.7	14.8	12.7	10.4	7.8
	SDT	71.0	80.3	89.5	98.8	107.9	117.0	126.0	134.8
	KW	0.96	1.12	1.29	1.48	1.68	1.88	2.08	2.27
35	TCG	24.0	22.4	20.7	18.9	17.0	14.9	12.6	10.1
	SDT	72.7	81.9	91.1	100.4	109.6	118.6	127.6	136.4
	KW	0.99	1.14	1.32	1.52	1.73	1.94	2.15	2.37
40	TCG	29.5	24.9	23.2	21.3	19.4	17.3	15.0	12.4
	SDT	74.5	83.7	92.8	102.0	111.2	120.4	129.3	138.2
	KW	1.00	1.18	1.36	1.55	1.77	2.00	2.23	2.46
45	TCG	32.3	29.0	26.0	23.9	22.0	19.9	17.6	15.0
	SDT	76.1	85.3	94.5	103.7	112.9	121.9	130.8	139.6
	KW	1.02	1.20	1.39	1.60	1.82	2.05	2.29	2.54
50	TCG	37.7	35.9	30.0	27.2	24.8	22.6	20.3	17.9
	SDT	77.7	86.7	95.9	105.1	114.2	123.2	132.1	140.8
	KW	1.03	1.21	1.41	1.62	1.87	2.12	2.37	2.63
55	TCG	45.2	38.8	34.9	31.2	28.4	25.9	23.4	20.8
	SDT	79.1	88.4	97.5	106.5	115.5	124.5	133.3	142.0
	KW	1.04	1.23	1.43	1.64	1.89	2.14	2.42	2.71

See notes on page 35.

CONDENSER ONLY RATINGS* Continued

SST °F		CONDENSER ENTERING AIR TEMPERATURES °F							
		55	65	75	85	95	105	115	125
552AN030-F									
30	TCG	26.7	25.3	23.8	22.4	21.0	19.5	18.0	16.4
	SDT	71.2	80.9	90.6	100.	110.	120.	129.	139.
	KW	1.41	1.59	1.80	2.04	2.30	2.59	2.91	3.26
35	TCG	29.3	27.8	26.2	24.6	23.0	21.4	19.8	18.0
	SDT	72.5	82.1	91.8	101.	111.	121.	130.	140.
	KW	1.42	1.60	1.81	2.05	2.31	2.60	2.92	3.27
40	TCG	32.1	30.4	28.7	27.0	25.2	23.5	21.7	19.8
	SDT	73.9	83.4	93.0	103.	112.	122.	131.	141.
	KW	1.43	1.62	1.83	2.06	2.32	2.61	2.93	3.28
45	TCG	35.0	33.2	31.4	29.5	27.6	25.7	23.7	21.6
	SDT	75.4	84.8	94.4	104.	114.	123.	133.	142.
	KW	1.45	1.63	1.84	2.08	2.34	2.63	2.94	3.29
50	TCG	38.2	36.2	34.2	32.2	30.1	28.0	25.9	23.6
	SDT	77.0	86.4	95.8	105.	115.	124.	134.	143.
	KW	1.47	1.65	1.86	2.09	2.36	2.65	2.96	3.31
55	TCG	41.5	39.3	37.2	35.0	32.8	30.5	28.1	25.6
	SDT	78.7	88.0	97.3	107.	116.	126.	135.	144.
	KW	1.49	1.67	1.88	2.11	2.38	2.67	2.98	3.33
552AN036-F/G									
30	TCG	32.6	30.9	29.0	27.1	25.2	23.1	21.0	18.7
	SDT	74.9	84.4	94.1	104.	113.	122.	132.	141.
	KW	1.69	1.93	2.19	2.48	2.78	3.10	3.43	3.76
35	TCG	35.7	33.8	31.9	29.8	27.7	25.6	23.3	20.8
	SDT	76.4	85.9	95.5	105.	115.	124.	133.	142.
	KW	1.70	1.94	2.20	2.50	2.81	3.13	3.48	3.83
40	TCG	39.0	37.0	34.9	32.7	30.5	28.1	25.7	23.0
	SDT	78.1	87.5	97.1	107.	116.	125.	134.	143.
	KW	1.71	1.95	2.22	2.51	2.83	3.17	3.52	3.89
45	TCG	42.5	40.3	38.1	35.8	33.3	30.8	28.2	25.4
	SDT	79.9	89.3	98.7	108.	118.	127.	136.	145.
	KW	1.72	1.96	2.23	2.53	2.86	3.20	3.57	3.94
50	TCG	46.1	43.8	41.4	39.0	36.4	33.7	30.8	27.8
	SDT	81.8	91.1	100.	110.	119.	128.	137.	146.
	KW	1.73	1.97	2.25	2.55	2.88	3.24	3.61	3.99
55	TCG	50.0	47.5	45.0	42.3	39.6	36.6	33.6	30.3
	SDT	83.8	93.0	102.	112.	121.	130.	139.	148.
	KW	1.74	1.99	2.27	2.57	2.91	3.27	3.64	4.04
552AN042-F									
30	TCG	37.4	35.4	33.3	31.3	29.2	27.1	25.0	22.6
	SDT	74.9	84.4	94.0	104.	113.	123.	132.	141.
	KW	1.94	2.21	2.51	2.84	3.22	3.63	4.08	4.58
35	TCG	41.0	38.8	36.6	34.3	32.1	29.8	27.4	24.8
	SDT	76.6	86.0	95.5	105.	115.	124.	133.	142.
	KW	1.98	2.24	2.54	2.88	3.25	3.66	4.11	4.61
40	TCG	44.7	42.3	39.9	37.5	35.0	32.5	29.9	27.1
	SDT	78.4	87.7	97.0	107.	116.	125.	134.	144.
	KW	2.01	2.28	2.58	2.92	3.29	3.70	4.15	4.65
45	TCG	48.7	46.1	43.6	40.9	38.2	35.5	32.6	29.5
	SDT	80.3	89.4	98.7	108.	118.	127.	136.	145.
	KW	2.06	2.32	2.62	2.96	3.34	3.75	4.20	4.69
50	TCG	52.9	50.2	47.4	44.5	41.6	38.6	35.5	32.1
	SDT	82.3	91.3	101.	110.	119.	128.	137.	146.
	KW	2.11	2.37	2.67	3.01	3.39	3.80	4.25	4.73
55	TCG	57.3	54.4	51.4	48.3	45.2	41.8	38.4	34.7
	SDT	84.4	93.4	102.	112.	121.	130.	139.	147.
	KW	2.16	2.43	2.73	3.06	3.44	3.86	4.30	4.78

See notes on page 35.

CONDENSER ONLY RATINGS* Continued

SST °F		CONDENSER ENTERING AIR TEMPERATURES °F							
		55	65	75	85	95	105	115	125
552AN048-F									
30	TCG	43.2	40.8	38.5	36.2	33.8	31.4	28.9	26.2
	SDT	77.6	87.0	96.5	106.	115.	125.	134.	143.
	KW	2.18	2.48	2.82	3.20	3.61	4.08	4.58	5.14
35	TCG	47.2	44.7	42.2	39.6	37.0	34.4	31.6	28.7
	SDT	79.4	88.7	98.2	108.	117.	126.	136.	145.
	KW	2.23	2.53	2.86	3.25	3.66	4.12	4.63	5.19
40	TCG	51.5	48.8	46.0	43.3	40.4	37.6	34.5	31.3
	SDT	81.4	90.6	99.9	109.	119.	128.	137.	146.
	KW	2.28	2.58	2.92	3.30	3.72	4.18	4.68	5.23
45	TCG	56.0	53.1	50.1	47.1	44.0	40.9	37.6	34.0
	SDT	83.5	92.6	102.	111.	120.	130.	139.	147.
	KW	2.34	2.64	2.97	3.35	3.78	4.24	4.74	5.29
50	TCG	60.8	57.7	54.4	51.2	47.8	44.4	40.8	36.9
	SDT	85.7	94.7	104.	113.	122.	131.	140.	149.
	KW	2.40	2.70	3.04	3.42	3.84	4.30	4.80	5.34
55	TCG	65.8	62.5	59.1	55.5	51.8	48.0	44.2	39.9
	SDT	88.1	96.9	106.	115.	124.	133.	142.	150.
	KW	2.47	2.77	3.11	3.49	3.91	4.38	4.87	5.40
552AN060-F									
30	TCG	53.4	50.5	47.6	44.7	41.8	38.8	35.7	32.5
	SDT	77.9	87.5	97.1	107.	116.	126.	135.	144.
	KW	2.79	3.18	3.61	4.10	4.64	5.23	5.88	6.60
35	TCG	58.4	55.2	52.1	48.9	45.7	42.5	39.1	35.5
	SDT	79.8	89.2	98.8	108.	118.	127.	137.	146.
	KW	2.85	3.24	3.67	4.16	4.71	5.30	5.95	6.66
40	TCG	63.7	60.3	56.9	53.4	49.9	46.4	42.7	38.7
	SDT	81.8	91.1	101.	110.	120.	129.	138.	147.
	KW	2.92	3.30	3.74	4.23	4.78	5.37	6.02	6.72
45	TCG	69.3	65.6	62.0	58.2	54.4	50.5	46.4	42.1
	SDT	83.9	93.1	102.	112.	121.	131.	140.	149.
	KW	2.99	3.37	3.81	4.30	4.85	5.45	6.10	6.80
50	TCG	75.2	71.3	67.3	63.3	59.1	54.8	50.4	45.6
	SDT	86.1	95.3	105.	114.	123.	132.	141.	150.
	KW	3.06	3.45	3.89	4.38	4.93	5.54	6.18	6.88
55	TCG	81.4	77.2	72.9	68.5	64.0	59.3	54.5	49.2
	SDT	88.5	97.5	107.	116.	125.	134.	143.	152.
	KW	3.15	3.54	3.98	4.47	5.02	5.63	6.28	6.96

* ARI listing applies only to systems shown in Ratings and Performance table.

kW — Outdoor Unit Kilowatts only.

SDT — Saturated Temperature Leaving Compressor (°F)

SST — Saturated Temperature Entering Compressor (°F)

TCG — Gross Cooling Capacity (1000 Btuh).

SYSTEM DESIGN SUMMARY

1. Intended for outdoor installation with free air inlet and outlet. Outdoor fan external static pressure available is less than 0.01-in. wc.
2. Minimum outdoor operating air temperature without low-ambient operation accessory is 55°F (12.8°C).
3. Maximum outdoor operating air temperature is 125°F (51.7°C).
4. For reliable operation, unit should be level in all horizontal planes.
5. Maximum elevation of indoor coil above or below base of outdoor unit without additional consideration is: Indoor coil above = 20 ft, indoor coil below = 20 ft. Consult Application Guidelines and Service Manual—Air Conditioners and Heat Pumps Using Puron® Refrigerant prior to application if elevations are exceeded.
6. For interconnecting refrigerant tube lengths greater than 50 ft and/or 20 ft vertical differential, consult the Application Guideline and Service Manual—Air Conditioners and Heat Pumps Using Puron® Refrigerant Application Guideline and Service Manual—Air Conditioners and Heat Pumps Using Puron® Refrigerant available from equipment distributor.
7. If any refrigerant tubing is buried, provide a 6 in. vertical rise to the valve connections at the unit. Refrigerant tubing lengths up to 36 in. may be buried without further consideration. Do not bury lines over 36 in.
8. Use only copper wire for electric connection at unit. Aluminum and clad aluminum are not acceptable for the type of connector provided.
9. Do not apply capillary tube indoor coils to these units.
10. Factory-supplied filter drier must be installed. This must be replaced each time the refrigeration system is opened for service.
11. Do not deviate from factory specified TXV's and Liquid Line Solenoids.

GENERAL

System Description

Outdoor-mounted, air-cooled, split-system air conditioner unit suitable for ground or rooftop installation. Unit consists of a hermetic compressor, an air-cooled coil, propeller-type condenser fan, and a control box. Unit will discharge supply air upward as shown on contract drawings. Unit will be used in a refrigeration circuit to match up to a packaged fan coil or coil unit.

Quality Assurance

Unit will be rated in accordance with the latest edition of ARI Standard 210.

Unit will be certified for capacity and efficiency, and listed in the latest ARI directory.

Unit construction will comply with latest edition of ANSI/ASHRAE and with NEC.

Unit will be constructed in accordance with UL standards and will carry the UL label of approval. Unit will have c-UL approval.

Unit cabinet will be capable of withstanding Federal Test Method Standard No. 141 (Method 6061) 500-hr salt spray test.

Air-cooled condenser coils will be leak tested at 150 psig and pressure tested at 450 psig.

Unit constructed in ISO9001 approved facility.

Delivery, Storage, and Handling

Unit will be shipped as single package only and is stored and handled per unit manufacturer's recommendations.

Warranty (for inclusion by specifying engineer)

U.S. and Canada only.

PRODUCTS

Equipment

Factory assembled, single piece, air-cooled air conditioner unit. Contained within the unit enclosure is all factory wiring, piping, controls, compressor, refrigerant charge Puron® (R-410A), and special features required prior to field start-up.

Refrigerant

Refrigerant will be Puron (R-410A) HFC Refrigerant with zero ozone depletion potential. R-410A is approved under the EPA's Significant New Alternatives Program (SNAP).

Unit Cabinet

Unit cabinet will be constructed of galvanized steel, bonderized, and coated with a powder coat paint.

Fans

Condenser fan will be direct-drive propeller type, discharging air upward.

Fans

Condenser fan will be direct-drive propeller type, discharging air upward.

Condenser fan motors will be totally enclosed, 1-phase type with class B insulation and permanently lubricated bearings.

Shafts will be corrosion resistant.

Fan blades will be statically and dynamically balanced.

Condenser fan openings will be equipped with PVC-coated steel wire safety guards.

Compressor

Compressor will be hermetically sealed.

Compressor will be mounted on rubber vibration isolators.

Condenser Coil

Condenser coil will be air cooled.

Coil will be constructed of aluminum fins mechanically bonded to copper tubes which are then cleaned, dehydrated, and sealed.

Refrigeration Components

Refrigeration circuit components will include liquid-line shutoff valve with sweat connections, vapor-line shutoff valve with sweat connections, system charge of Puron® (R-410A) refrigerant, and compressor oil.

Operating Characteristics

The capacity of the unit will meet or exceed _____ Btuh at a suction temperature of _____ °F. The power consumption at full load will not exceed _____ kW.

Combination of the unit and the evaporator or fan coil unit will have a total net cooling capacity of _____ Btuh or greater at conditions of _____ CFM entering air temperature at the evaporator at _____ °F wet bulb and _____ °F dry bulb, and air entering the unit at _____ °F.

The system will have an SEER of _____ Btuh/watt or greater at DOE conditions.

Electrical Requirements

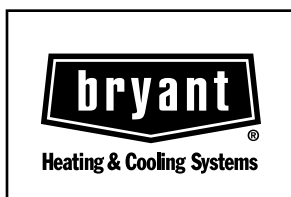
Nominal unit electrical characteristics will be _____ v, single phase, 60 hz. The unit will be capable of satisfactory operation within voltage limits of _____ v to _____ v.

Unit electrical power will be single point connection.

Control circuit will be 24v.

Special Features

Refer to section of this literature identifying accessories and descriptions for specific features and available enhancements.



SPECIFICATIONS SUBJECT TO CHANGE WITHOUT NOTICE

UNIT MUST BE INSTALLED IN ACCORDANCE
WITH INSTALLATION INSTRUCTIONS

Cancels: PDS 552A.18.2
New: PDS 552A.18.3