

BRYSTON MFG. LTD.

2B

**POWER AMPLIFIER □
OWNER'S MANUAL**

OBSOLETE □

**This model has been □
replaced by the 2B-LP**

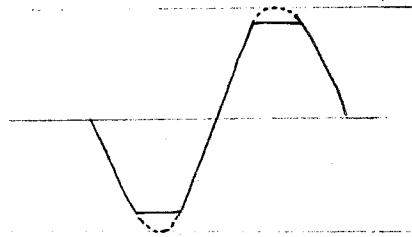
Bryston 2B Specifications

Specifications:	Basic Stereo Power Amplifier.
POWER	50 watts per channel, 8 ohms. 100 watts per channel, 4 ohms. 200 watts, bridged, 8 ohms.
DISTORTION:	
Harmonic:	Less than 0.01% from 20 to 20kHz at 50 watts.
FM:	Less than 0.01% from 10 milliwatts to 50 watts.
Noise:	100 db below full output.
Crosstalk:	Below noise 20 to 20kHz at 50 watts.
SLEWING RATE:	Greater than 60 volts per microsecond.
POWER BANDWIDTH:	Less than 1 Hz to over 100 kHz.
DAMPING FACTOR:	Over 500 at 20 Hz, ref. 8 ohms.
INPUT SENSITIVITY AND IMPEDANCE:	75 volt for full output, 50k ohms.
FEATURES:	<ol style="list-style-type: none">1. Bridging switch.2. Over 250 sq. in. of heat-sinking.3. Regulated power supplies to all voltage gain stages.4. Each channel separated back to the linecord.5. Dual-colour LED pilotlights and clipping indicators; green changing to red at clipping.6. Will deliver full output to any phase angle at 4 OHMS or higher.7. Warranty: 3 years parts and labour, shipping one way.
DIMENSIONS:	19" x 3½" x 10", wt. 20 lbs.

BRAYSTON MFG. LTD.

- 2 -

- 7) A. Re-insert 20K hz. signal to channel input and adjust level to clip amplifier. Clipping should be symmetrical and clipping indicator (red LED) should turn on.



- B. Reduce input signal to bring amplifier just below the threshold of clipping and measure output power.

<u>Voltage (rms)</u>	<u>Power (watts) into 8 ohms</u>
20	50
21	55
22	61
22.2	62
22.4	63
22.6	64
22.8	65
23	66
23.2	67
23.4	68
23.5	69
23.7	70

- C. Reduce input signal 1.5db (approx.) or to 20V(rms) to bring amplifier down to full rated output power (50 watts).

- 8) Momentarily place a non-polar, 5u6/100V capacitor across output terminals to engage protection circuitry.

Sine wave should be converted to a symmetrical triangle wave. If triangle wave is shifted more than approx. 30°, protection circuitry is malfunctioning.



- 9) THD should be below .02% at 20K hz, at 50 watts output.
- 10) Noise - referenced to full rated output; unweighted noise should be greater than -100db.

BRYSTON MFG. LTD.

BRYSTON 2B POWER AMPLIFIER

BURN-IN PROCEDURE

All power amplifiers are 'burned-in' for approximately four days in the mono mode, using a capacitive load of 330nf (200V) across the two speaker hot (red) terminals, (preferably with a fuse in series), and bias is initially set at 6mv to 8mv.

A 3K hz. square wave signal is fed into the amplifier's left channel input at a level sufficient to produce 50 VAC - as measured with an 'averaging' voltmeter - across the two hot (red) output terminals, for three out of every four hours during burn-in period. Chassis tops are left off amplifiers during burn-in.

After three full days of burn-in, 3K hz. square wave input signal and capacitive load are removed, and chassis top is put on amplifier. Bias is reset to 10mv to 12mv.

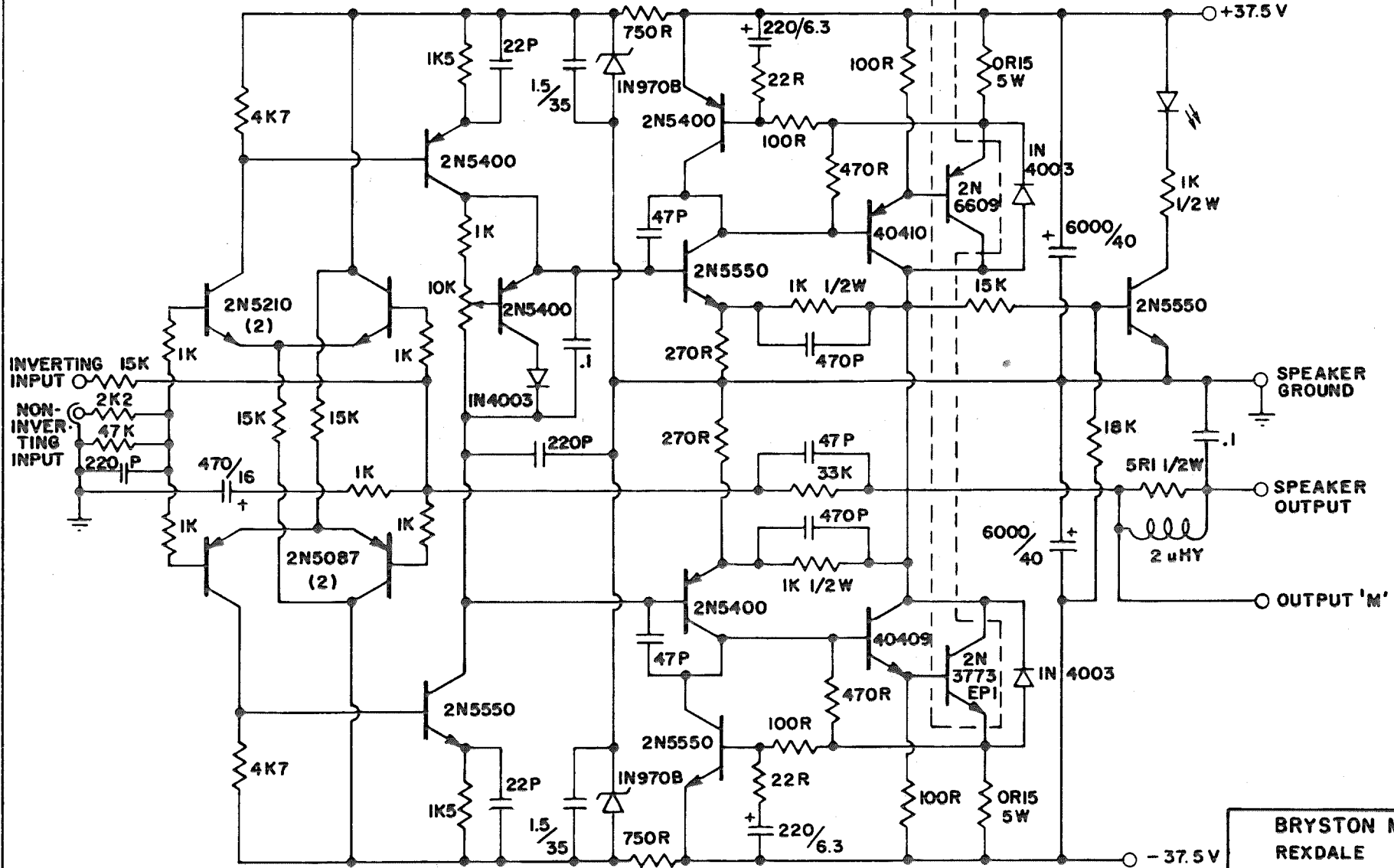
Bias is rechecked every few hours until it has stabilized at 10mv. to 12mv. No further bias adjustments will then be made.

N.B. Line voltage should be stable while bias is being set.

IN (120VAC) 3A
 OUT

75°C

COMPONENTS SHOWN WITHIN DASHED LINES ARE ON COMMON HEATSINK

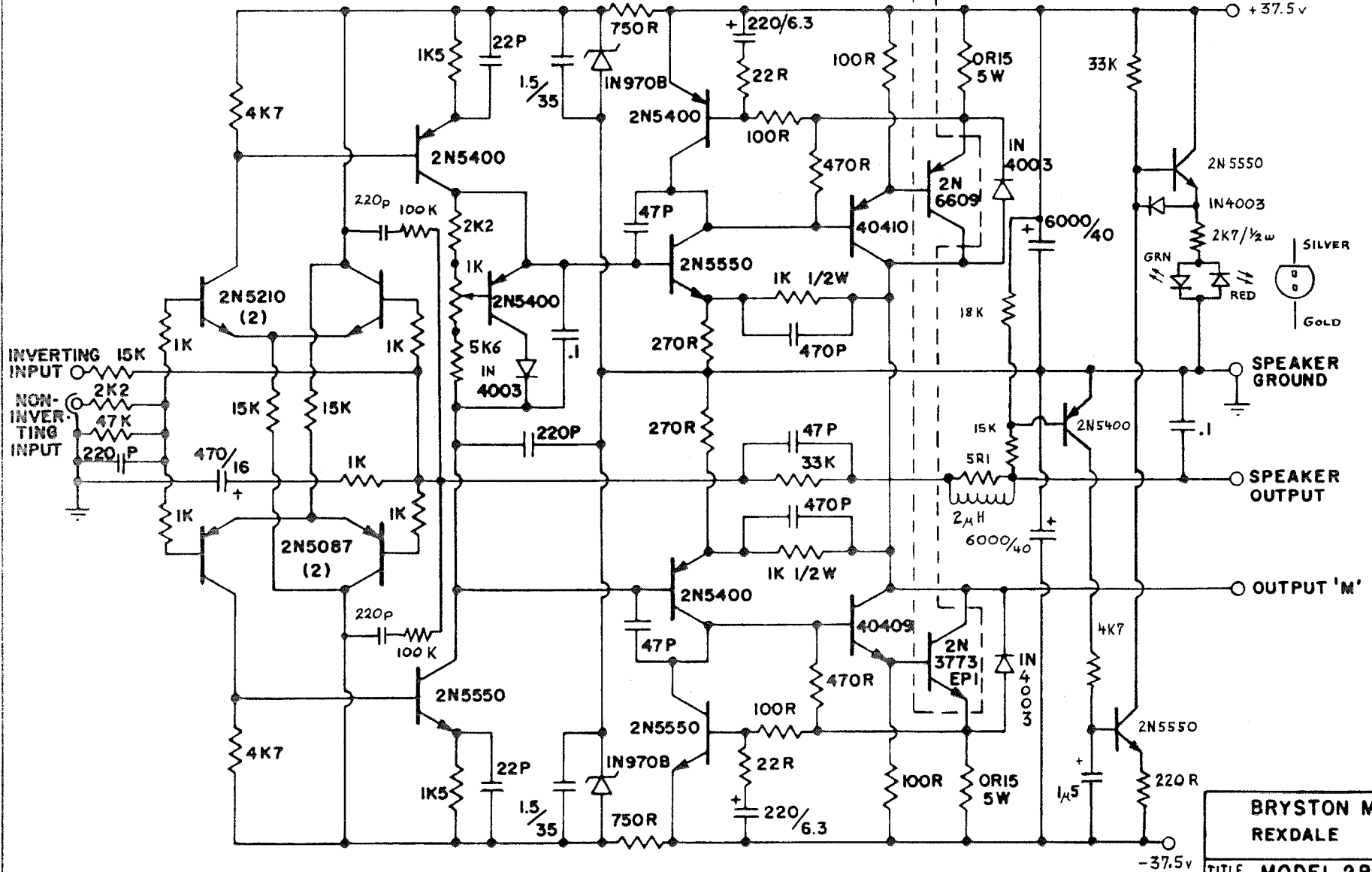


BRYSTON MFG. LTD. REXDALE ONT.			
TITLE MODEL 2B POWER AMPLIFIER MAIN BOARD SCHEMATIC DIAGRAM			
DWN. J.K	DATE 10/12/79	REV.	Nº

IN (120VAC) 3A
 OUT

75°C

COMPONENTS SHOWN WITHIN DASHED LINES ARE ON COMMON HEATSINK



BRYSTON MFG. LTD.
REXDALE ONT.

TITLE **MODEL 2B POWER AMPLIFIER MAIN BOARD SCHEMATIC DIAGRAM**

JUNE 29/83

BRYSTON 20 -YEAR WARRANTY

Bryston products are warranted to be free from manufacturing defects for a minimum of twenty years from the original date of manufacture. This includes parts, labour and return shipping to the first owner and all subsequent owners. Warranty coverage is automatic and commences with the original date of manufacture which is kept on file at Bryston.

In the event of a defect or malfunction, Bryston will remedy the problem by repair or replacement, as we deem necessary, to restore the product to full performance.

This warranty is considered void if the defect, malfunction or failure of the product or any component part was caused by damage (not resulting from a defect or malfunction) or abuse while in the possession of the customer. Tampering by persons other than factory authorized service personnel, or failure to fully comply with Bryston operating instructions, voids the warranty.

This warranty gives you specific legal rights and you may also have other rights which may vary from province to province and country to country.

BRYSTON SERVICE USA.:
**70 COVENTRY ST. SUITE #5
NEWPORT VERMONT
U.S.A. 05855**

**PHONE: 802-334-1201
FAX: 802-334-6658
E-MAIL: usaser@bryston.ca**

BRYSTON SERVICE OUTSIDE CANADA & the USA:
**CONTACT YOUR LOCAL DISTRIBUTOR
OR**

**CHECK OUR WEB SITE AT: www@bryston.ca
E-MAIL BRYSTON DIRECTLY: info@bryston.ca
FAX BRYSTON DIRECTLY: 705-742-0882
PHONE BRYSTON DIRECTLY: 705-742-5325**

BRYSTON LTD., 677 NEAL DRIVE, P.O. BOX 2170, PETERBOROUGH, ONTARIO CANADA K9J 7Y4