

Accessory

- Accessoire
- Zubehör
- Accessorio
- Accesorio
- Accessoire
- Tilbehør
- Tilbehør
- Tilbehør
- Tarvikkeet
- Accesorium
- Periferie
- Tartozék
- רע
- 配件
- 附件
- 액세서리
- アクセサリ

Bike Mount

Item	Description
Size	42.2 x 52.4 x 41.2 mm (1.66 x 2.06 x 1.62 in)
Weight	23.5 g (0.82 oz)

Speed/Cadence Sensor

Item	Description
Physical size	37.5 x 35 x 12 mm
Weight	25 g
Water Resistance	1 ATM
Transmission range	3 m
Battery life	1 hour per day for 22 months (660 hours)
Operating temperature	5°C ~ 40°C
Radio frequency/protocol	2.4GHz / Dynastream ANT+ Sport wireless communications protocol

Accuracy may be degraded by poor sensor contact, electrical interference, and receiver distance from transmitter.

Heart Rate Monitor

Item	Description
Physical size	6.6 x 3.7 x 1.1 mm
Weight	44 g
Water Resistance	10 ATM
Transmission range	3 m
Battery life	1 hour per day for 16 months (480 hours)
Operating temperature	5°C ~ 40°C
Radio frequency/protocol	2.4GHz / Dynastream ANT+ Sport wireless communications protocol

Accuracy may be degraded by poor sensor contact, electrical interference, and receiver distance from transmitter.

IMPORTANT: Please Read This Notice before Using This Product

Bryton products and accessories are not medical devices and its readings are for reference only. Bryton is not responsible for the consequences of any erroneous readings. Always consult your physician before beginning any training program or using a heart rate monitor. Please do not operate the product during any activities, because lack of proper attention may cause injury, death or material damage. When using or installing this product, please comply with all applicable local laws and regulation. We and our manufacturers and licensors shall not assume any responsibility for damages arising from using this product during activities, misuse, improper installation, act of God, any violation of traffic or safety regulations, or software or map data product therein. This product is not guaranteed to be free of errors or deficiencies, and is not guaranteed to be applicable for any defined purpose.

FCC Regulations:

This device complies with part 15 of the FCC Rules. Operation is subject to the following two conditions: (1) This device may not cause harmful interference, and (2) this device must accept any interference received, including interference that may cause undesired operation.

This device has been tested and found to comply with the limits for a Class B digital device, pursuant to Part 15 of the FCC Rules. These limits are designed to provide reasonable protection against harmful interference in a residential installation. This equipment generates, uses and can radiate radio frequency energy and, if not installed and used in accordance with the instructions, may cause harmful interference to radio communications. However, there is no guarantee that interference will not occur in a particular installation if this equipment does cause harmful interference to radio or television reception, which can be determined by turning the equipment off and on, the user is encouraged to try to correct the interference by one or more of the following measures:

- Reorient or relocate the receiving antenna.
- Increase the separation between the equipment and receiver.
- Connect the equipment into an outlet on a circuit different from that to which the receiver is connected.
- Consult the dealer or an experienced radio/TV technician for help.

Changes or modifications not expressly approved by the party responsible for compliance could void the user's authority to operate the equipment.

Industry Canada Compliance

Operation is subject to the following two conditions: (1) this device may not cause interference, and (2) this device must accept any interference, including interference that may cause undesired operation of the device.

This Class B digital apparatus complies with Canadian ICES-003. Cet appareil numérique de la classe B est conforme à la norme NMB-003 du Canada.

This Category II radiocommunication device complies with Industry Canada Standard RSS-310. Ce dispositif de radiocommunication de catégorie II respecte la norme CNR-310 d'Industrie Canada.

IMPORTANT NOTE:

IC Radiation Exposure Statement:

This equipment complies with IC RSS-102 radiation exposure limits set forth for an uncontrolled environment. This equipment should be installed and operated with minimum distance 20cm between the radiator & your body.

This device and its antenna(s) must not be co-located or operating in conjunction with any other antenna or transmitter.

CE Marking Warning

This is a Class B product, in a domestic environment, this product may cause radio interference, in which case the user may be required to take adequate measures.

低功率電波輻射電機管理宣告

本產品Bryton Rider 50正體中文版，僅遵循中華民國國家通訊傳播委員會所頒布低功率電波輻射性電機管理辦法規範，並經驗證通過合格，請使用者遵循相關電法規則，以維護法規規定。若使用者欲攜帶本機至其七國家用時，也請遵循該地區國家之相關法令限制。根據交通部低功率電波輻射性電機管理辦法規定：

第十二條

經型式認證合格之低功率射頻電機，非經許可，公司、商號或使用者均不得擅自變更頻率，加大功率或變更原設計之特性及功能。

第十四條

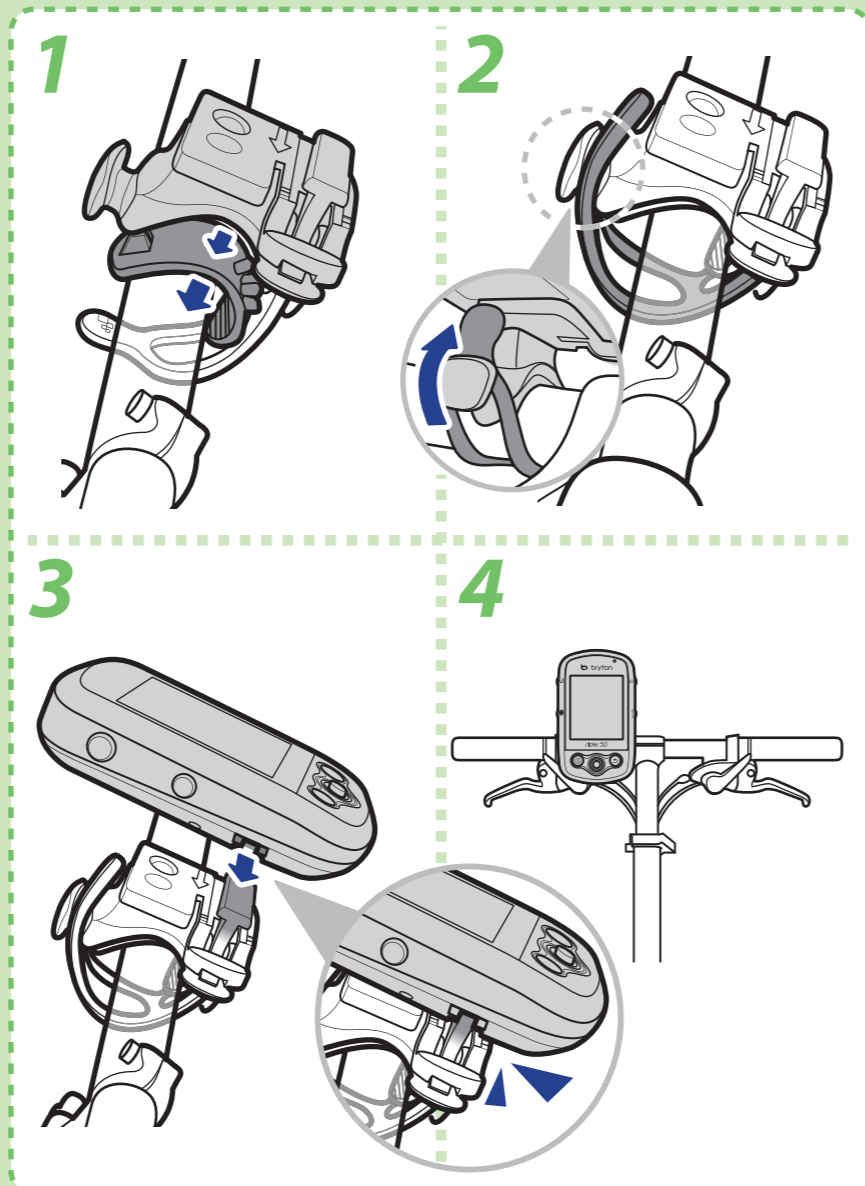
低功率射頻電機之使用不得影響飛航安全及干擾合法通信；經發現有干擾現象時，應立即停用，並改善至無干擾時方得繼續使用。前項合法通信，依電法規定作業之無線電通信。低功率射頻電機須忍受合法通信或工業、科學及醫療用電波輻射性電機設備之干擾。

Bike Mount • Support vélo • Fahrradhalterung • Supporto per bicicletta •

Soporte para bicicleta • Fietsmontage • Holder til cykel • Cykelmontering • Sykkelfeste •

Pyöräkiinnike • Zestaw do montażu na rowerze • Držák na kolo • Kerékpárkonzol •

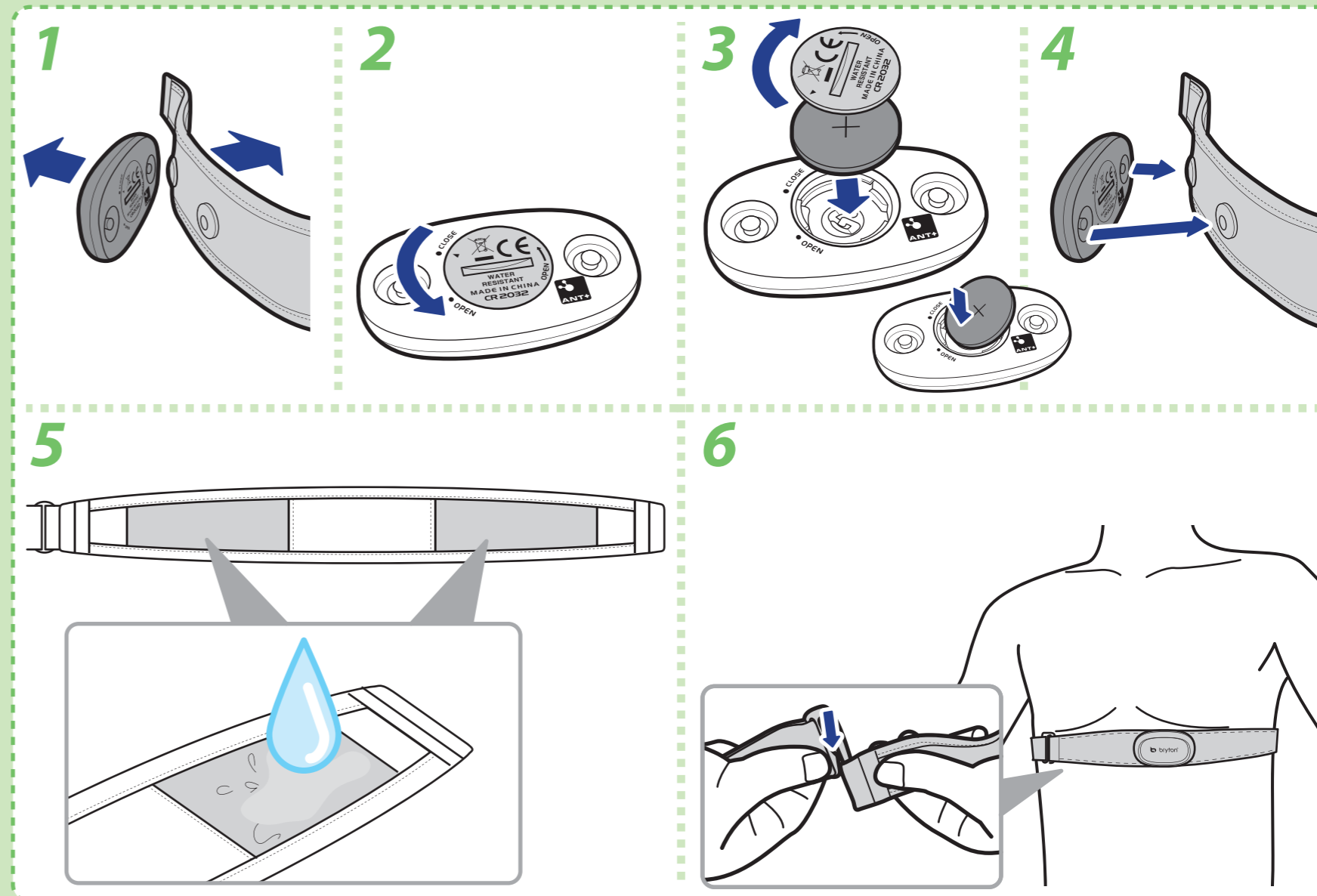
תושבת לאופניים • 單車固定架 • 自行車固定架 • 자전거 마운트 • 바이크 마운트



Heart Rate Monitor • Moniteur de fréq. card. • Herzfrequenzmesser • Cardiofrequenzimetro • Monitor de ritmo cardíaco • Hartslagmonitor • Hjertefrekvensmonitor •

Hjärtfrekvensmonitor • Hjerterytmemonitor • Sykemonitori • Monitor pracy serca • Monitor srdeční činnosti • Pulzsmérő • מנטר דופק • 心率監測器 • 心率監測器 •

심박수 모니터 • 心拍計



Speed/Cadence Sensor • Capteur de vitesse/Capteur de cadence • Geschwindigkeitssensors/Kadenzsensor • Sensore di velocità/Sensore di cadenza • Sensor de velocidad/Sensor de cadencia • Snelheidssensor/Ritmesensor • Hastighed/kadencesensor •

Hastighetsensorn/Rytmsensorn • Fartssensoren/Kadenssensoren • Nopeusanturi/Kadenssianturi • Czujnik prędkości/ kadencji • Snímač rychlosti/Snímač kadence • Sebességérzékelő/Időjel-érzékelő • מהרירות/קצב • 速度/踏頻感應器 • 车速/转速感应器 •

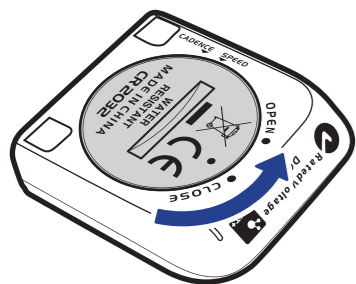
속도/카덴스 센서 • 스피드/케이덴스 센서

Adaptors • Adaptateurs • Adapter • Adattatori • Adaptadores • Adapters • Adaptere •

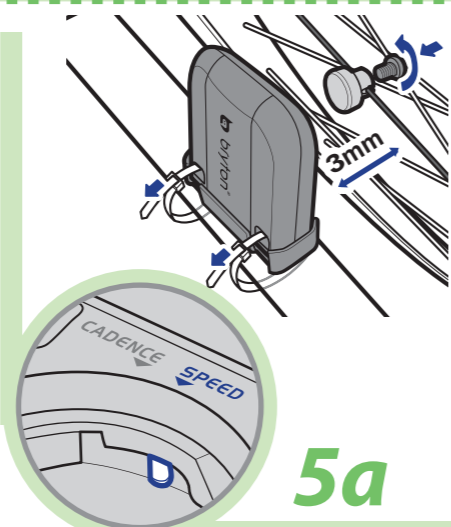
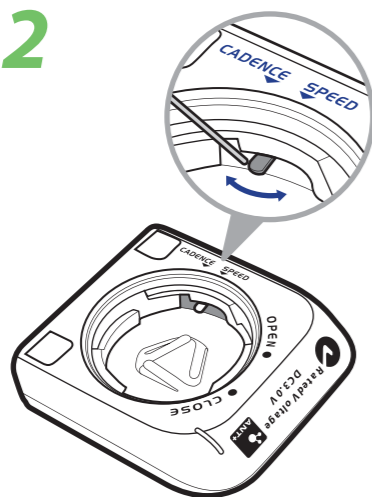
Adaptrar • Adaptere • Sovittimet • Adaptery • Adaptéry • Adapterek • מתאמים • 轉接器 •

轉接器 • 어댑터 • アダプタ

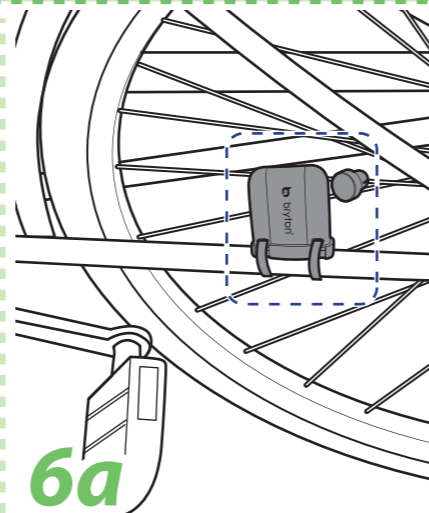
1



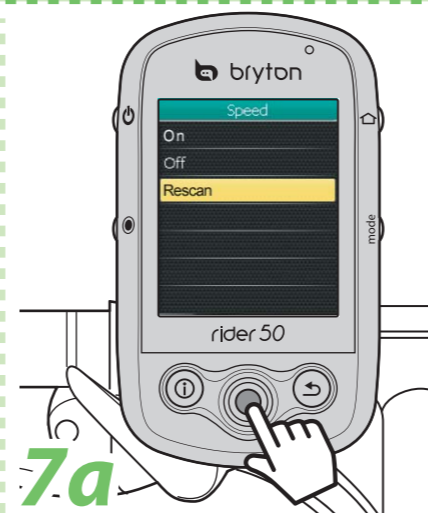
2



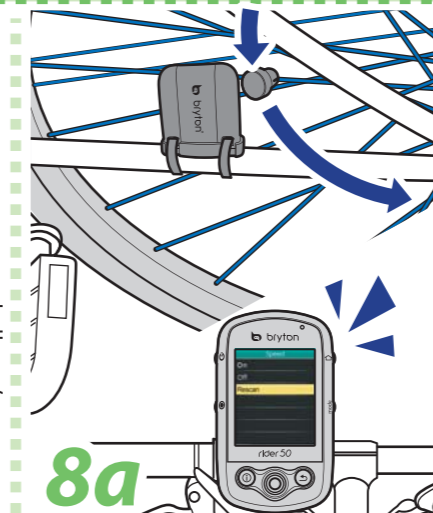
5a



6a

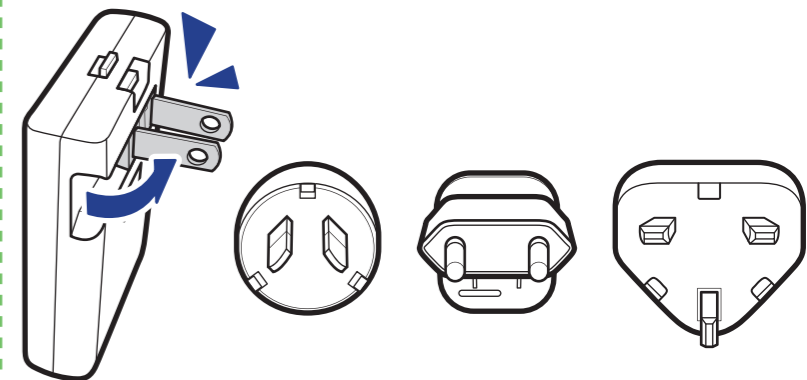


7a

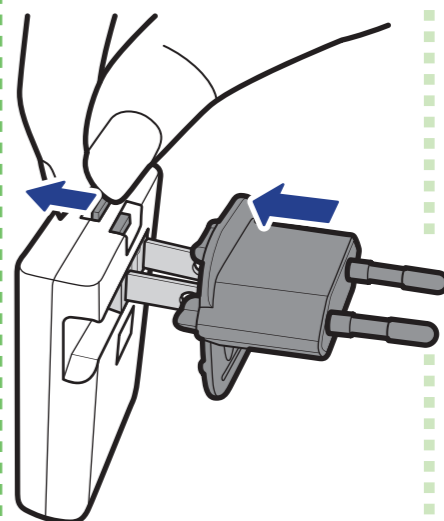


8a

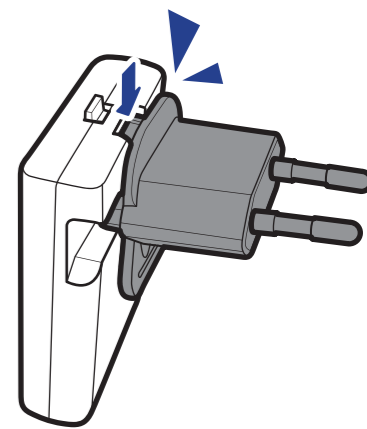
1



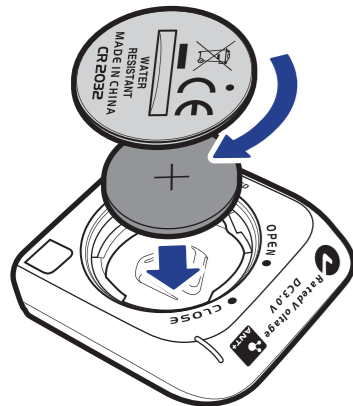
2



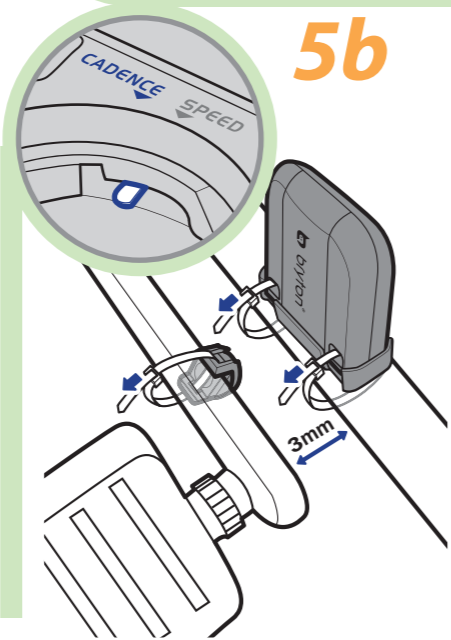
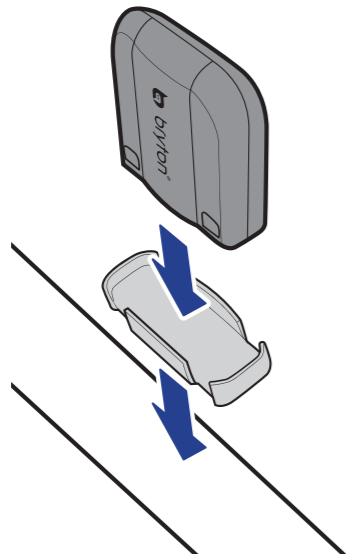
3



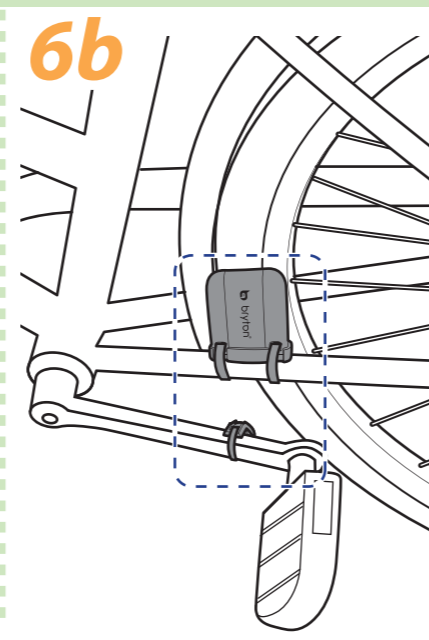
3



4



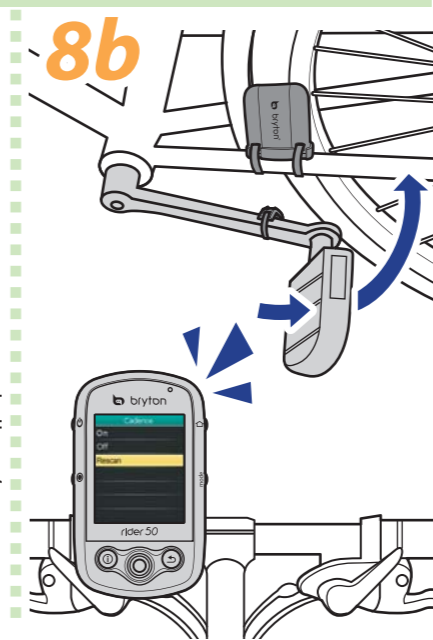
5b



6b



7b



8b