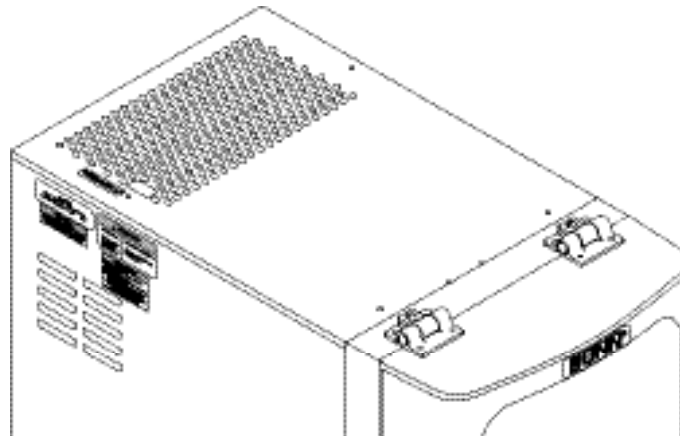


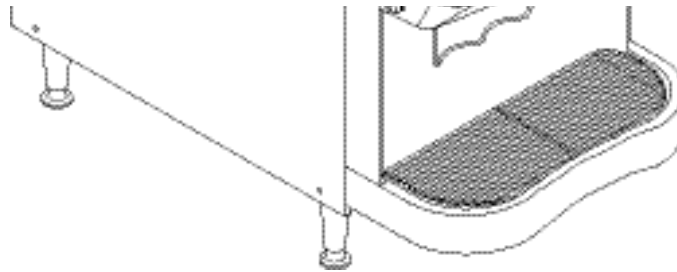
# **BUNN**®

# **JDF-4**

*Prior to S/N 0005473*



**DISCONTINUED VERSION**  
**Parts listed in this catalog**  
**may no longer be available.**



## **ILLUSTRATED PARTS CATALOG**

Designs, materials, weights, specifications, and dimensions for equipment or replacement parts are subject to change without notice.

### **BUNN-O-MATIC CORPORATION**

POST OFFICE BOX 3227

SPRINGFIELD, ILLINOIS 62708-3227

PHONE: (217) 529-6601 FAX: (217) 529-6644

## BUNN-O-MATIC COMMERCIAL PRODUCT WARRANTY

Bunn-O-Matic Corp. ("BUNN") warrants equipment manufactured by it as follows:

- 1) All equipment other than as specified below: 2 years parts and 1 year labor.
- 2) Electronic circuit and/or control boards: parts and labor for 3 years.
- 3) Compressors on refrigeration equipment: 5 years parts and 1 year labor.
- 4) Grinding burrs on coffee grinding equipment to grind coffee to meet original factory screen sieve analysis: parts and labor for 3 years or 30,000 pounds of coffee, whichever comes first.

These warranty periods run from the date of installation BUNN warrants that the equipment manufactured by it will be commercially free of defects in material and workmanship existing at the time of manufacture and appearing within the applicable warranty period. This warranty does not apply to any equipment, component or part that was not manufactured by BUNN or that, in BUNN's judgment, has been affected by misuse, neglect, alteration, improper installation or operation, improper maintenance or repair, damage or casualty. This warranty is conditioned on the Buyer 1) giving BUNN prompt notice of any claim to be made under this warranty by telephone at (217) 529-6601 or by writing to Post Office Box 3227, Springfield, Illinois 62708-3227; 2) if requested by BUNN, shipping the defective equipment prepaid to an authorized BUNN service location; and 3) receiving prior authorization from BUNN that the defective equipment is under warranty.

**THE FOREGOING WARRANTY IS EXCLUSIVE AND IS IN LIEU OF ANY OTHER WARRANTY, WRITTEN OR ORAL, EXPRESS OR IMPLIED, INCLUDING, BUT NOT LIMITED TO, ANY IMPLIED WARRANTY OF EITHER MERCHANTABILITY OR FITNESS FOR A PARTICULAR PURPOSE.** The agents, dealers or employees of BUNN are not authorized to make modifications to this warranty or to make additional warranties that are binding on BUNN. Accordingly, statements by such individuals, whether oral or written, do not constitute warranties and should not be relied upon.

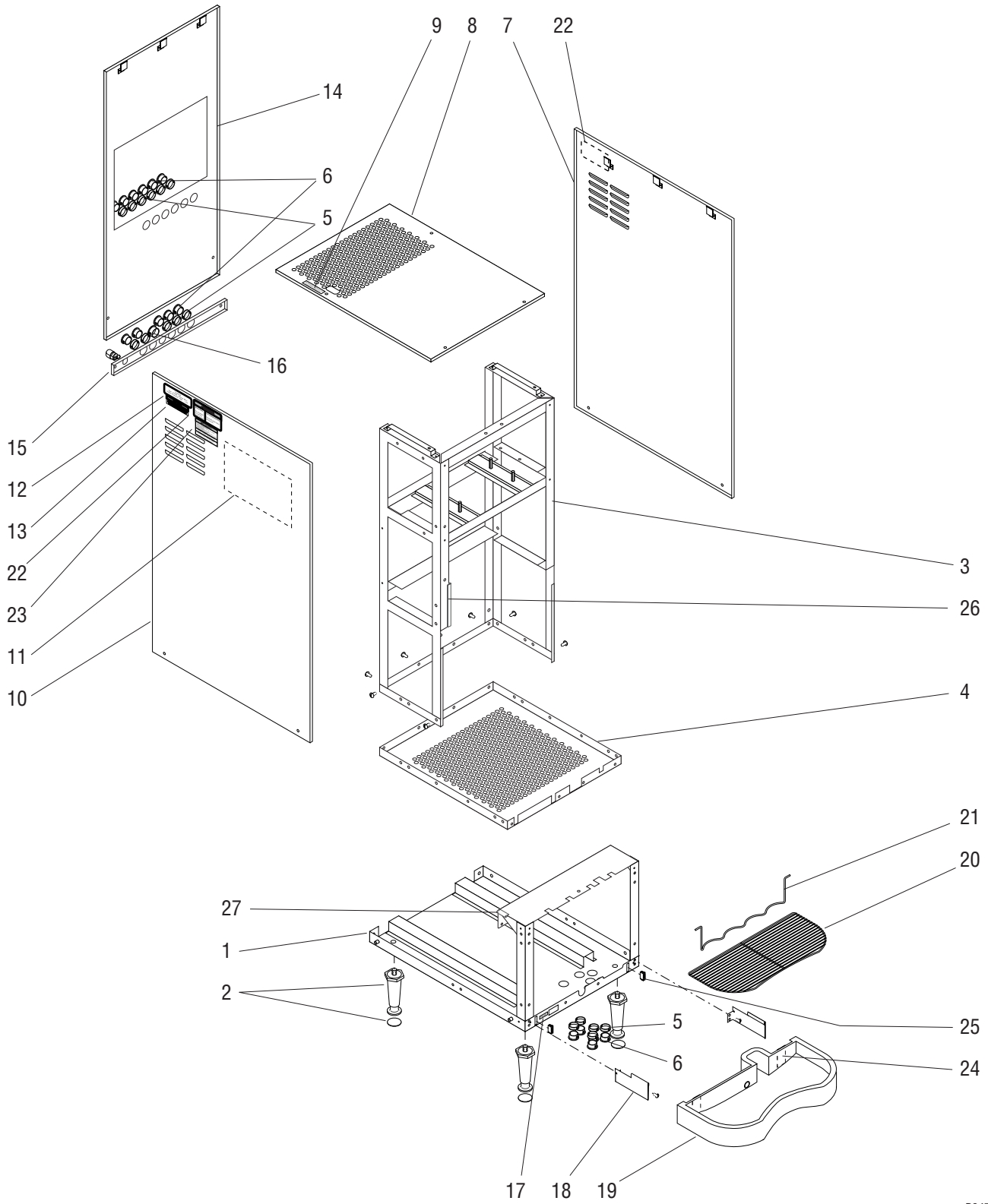
If BUNN determines in its sole discretion that the equipment does not conform to the warranty, BUNN, at its exclusive option while the equipment is under warranty, shall either 1) provide at no charge replacement parts and/or labor (during the applicable parts and labor warranty periods specified above) to repair the defective components, provided that this repair is done by a BUNN Authorized Service Representative; or 2) shall replace the equipment or refund the purchase price for the equipment.

**THE BUYER'S REMEDY AGAINST BUNN FOR THE BREACH OF ANY OBLIGATION ARISING OUT OF THE SALE OF THIS EQUIPMENT, WHETHER DERIVED FROM WARRANTY OR OTHERWISE, SHALL BE LIMITED, AT BUNN'S SOLE OPTION AS SPECIFIED HEREIN, TO REPAIR, REPLACEMENT OR REFUND.**

In no event shall BUNN be liable for any other damage or loss, including, but not limited to, lost profits, lost sales, loss of use of equipment, claims of Buyer's customers, cost of capital, cost of down time, cost of substitute equipment, facilities or services, or any other special, incidental or consequential damages.

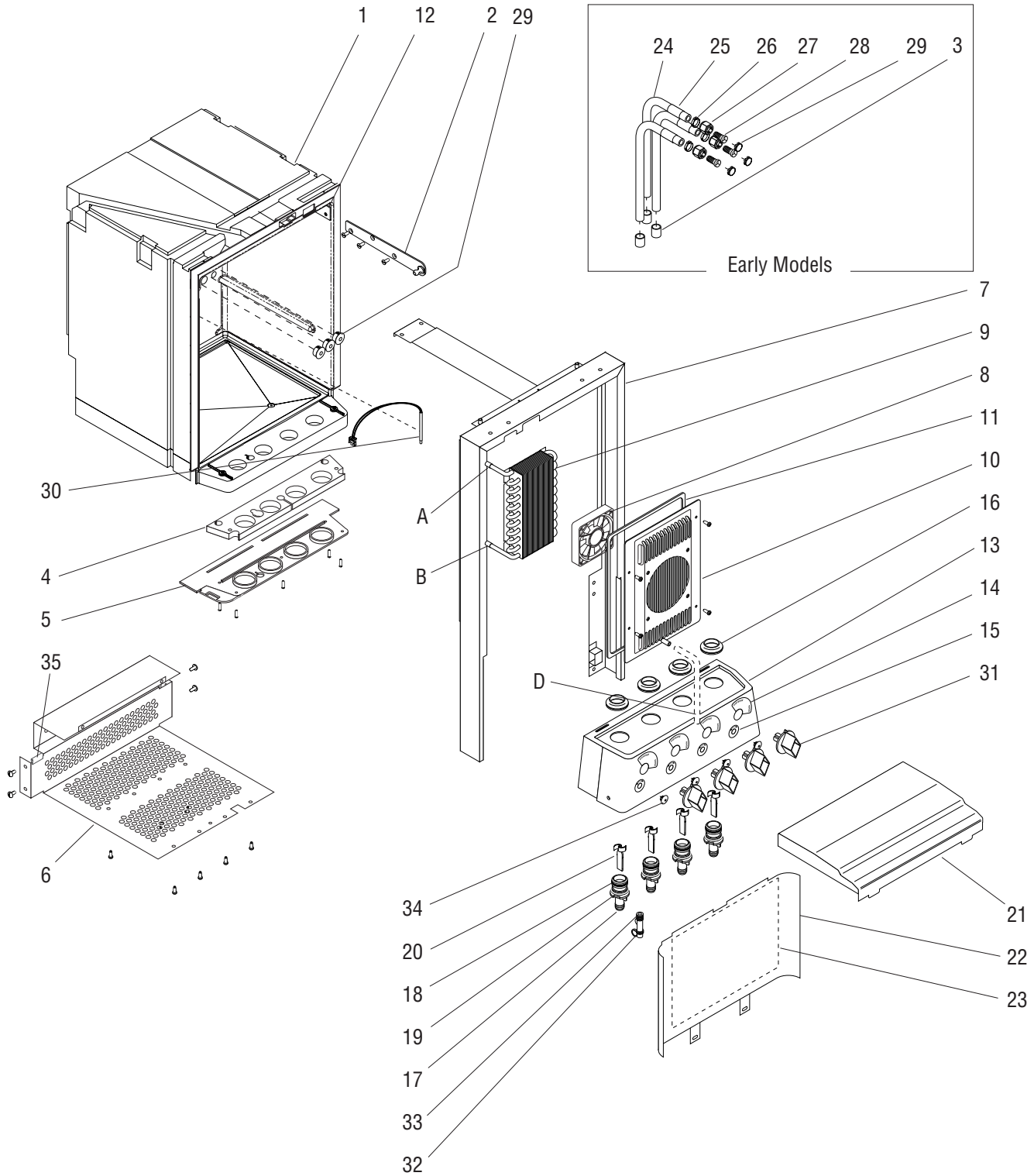
# TABLE OF CONTENTS

Main Frame & Covers .....	4
Upper Cabinet & Panels .....	6
Water Tank Assy .....	10
Water Valve Assy .....	14
Refrigeration Components .....	18
Fan Assy .....	20
Compressor Assy (120V Models) .....	22
Compressor Assy (230V Models) .....	24
Dispense Platform Assy (Early Models) .....	26
Dispense Platform Assy (Late Models) .....	30
Dispense Valve Assy .....	34
Plain Water Manifold Assy (Early Models) .....	36
Plain Water Manifold Assy (Late Models) .....	38
Pump Assy .....	40
Rinse Water Manifold Assy (Early Models) .....	44
Rinse Water Manifold Assy (Late Models) .....	46
Bottle Adapter Assy .....	48
Door Assy .....	50
Electrical Components .....	54
Refillable Container Assy .....	58
Numerical Index .....	60



## MAIN FRAME & COVERS

ITEM	PART NO.	QTY.	DESCRIPTION
1	33805.0000	1	Base Assy
2	26528.0000 03996.0000	4 4	Leg Pad, Non-skid } Order item 28
3	33810.0000 01326.0004	1 8	Frame Assy, Refrigeration Screw, Locking #10-32 x .438"
4	33813.0000	1	Frame Tray
5	27354.0000	17	Bushing, Snap (8 less used on Late Models)
6	00668.0000	17	Plug (8 less used on Late Models)
7	37137.1001 02331.0001	1 5	Panel, Right w/Decal (Includes item 22) Screw, BLK #10-32 x .38"
8	33860.1000 02331.0001	1 4	Panel, Top w/Decal (includes item 9) Screw, BLK #10-32 x .38"
9	33458.0000	1	Decal, Refrigeration ON/OFF
10	37134.1001 02331.0001	1 5	Panel, Left w/Decals (Includes items 11,12,13,22 & 23) Screw, BLK #10-32 x .38"
11	-----	1	Schematic, Refrigeration (Early Models)
12	33461.0000	1	Decal, Refrigerant Charge
13	-----	1	Decal, Refrigerant Dye (Early Models)
14	33821.0000 02331.0001	1 2	Panel, Upper Rear Screw, BLK #10-32 x .38"
15	33861.0000 33861.0001 02331.0001	1 1 2	Panel, Lower Rear (Early Models) Panel, Lower Rear (Late Models) Screw, BLK #10-32 x .38"
16	32635.0000	1	Plug .812" Dia.
17	33460.0000	1	Decal, Sanitize Switch
18	33376.0000 33376.0001 01315.0000	1 1 4	Bracket, Left Bracket, Right Screw #8-32 x .38"
19	33814.1000	1	Drip Tray Assy (Includes item 24)
20	33811.0000	1	Cover, Drip Tray
21	33795.0000	1	Cup Guide
22	27442.0000	2	Decal, Moving Parts Warning
23	00986.0002	1	Decal, Warning - Electrical
24	-----	4	Strike Assy, Self Adhesive
25	21436.0000	2	Catch, Magnetic
26	-----	1	Gasket, U-channel 4.60" (Order item 29)
27	-----	1	Gasket, U-channel 2.25" (Order item 29)
28	13255.0003	-	Leg Kit (Includes 4 Legs and 4 Pads)
29	02434.1000	-	Gasket, U-channel 18.0" (Use as required)



NOTE: Letters appearing within this illustration correspond to matching connections in other illustrations.

P2473

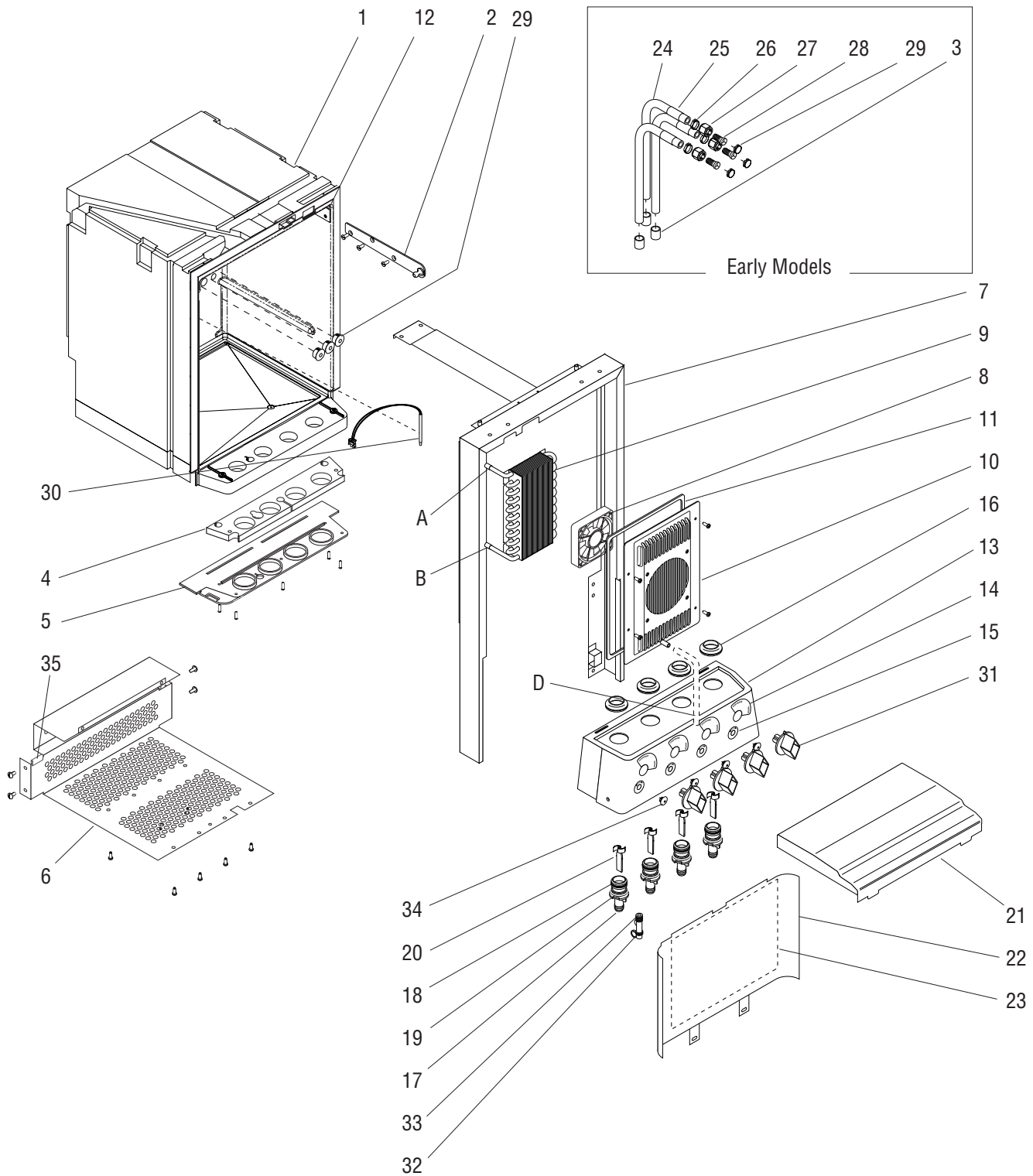
## UPPER CABINET & PANELS

ITEM	PART NO.	QTY.	DESCRIPTION
1	33804.0000	1	Cabinet Assy (Includes items 8 thru 12 & 30)
2	33053.0000	1	Bracket
	33052.0000	3	Screw
3	00669.0000	3	Cap (Early Models)
4	32307.0000	1	Foam, Upper Cabinet
5	33786.0000	1	Plate, Upper Cabinet
	01359.0000	5	Screw #8-32 x .38"
6	33817.0000	1	Bracket, Upper Cabinet
	24544.0000	10	Screw #8-18
	01326.0004	4	Screw, Locking #10-32 x .438"
7	33816.0000	1	Wrap, Upper Cabinet
	01326.0004	5	Screw, Locking #10-32 x .438"
8	33297.0000	1	Fan Assy
	24544.0000	4	Screw #8-18
9	32763.0000	1	Water Coil, Upper Cabinet
	01382.0000	4	Screw #6-32 x .38"
10	32448.1000	1	Cover (Includes item 11)
	24544.0000	4	Screw #8-18
11	33511.0000	1	Gasket
12	33051.0000	1	Bracket
13	33857.0000	1	Panel, Front Dispense
	01345.0000	2	Screw #6-32 x .50"
14	33459.0001	4	Decal, Dispense/Rinse
15	33459.0002	4	Decal, Flow Adj.
16	32461.0000	4	Gasket, Drip
17	32467.1000	4	Nozzle Assy (Includes items 18 - 20)
18	32848.0000	4	O-ring
19	32858.0000	4	Shield
20	32621.0000	4	Mixer, Spiral Std.
	35108.0000	4	Mixer, Spiral High Viscosity
21	33794.0000	1	Product Shelf
22	35338.1000	1	Splash Guard (Includes item 23)
	01315.0000	2	Screw #8-32 x .38"

} Also order  
item 37

(Continued)

(Continued)



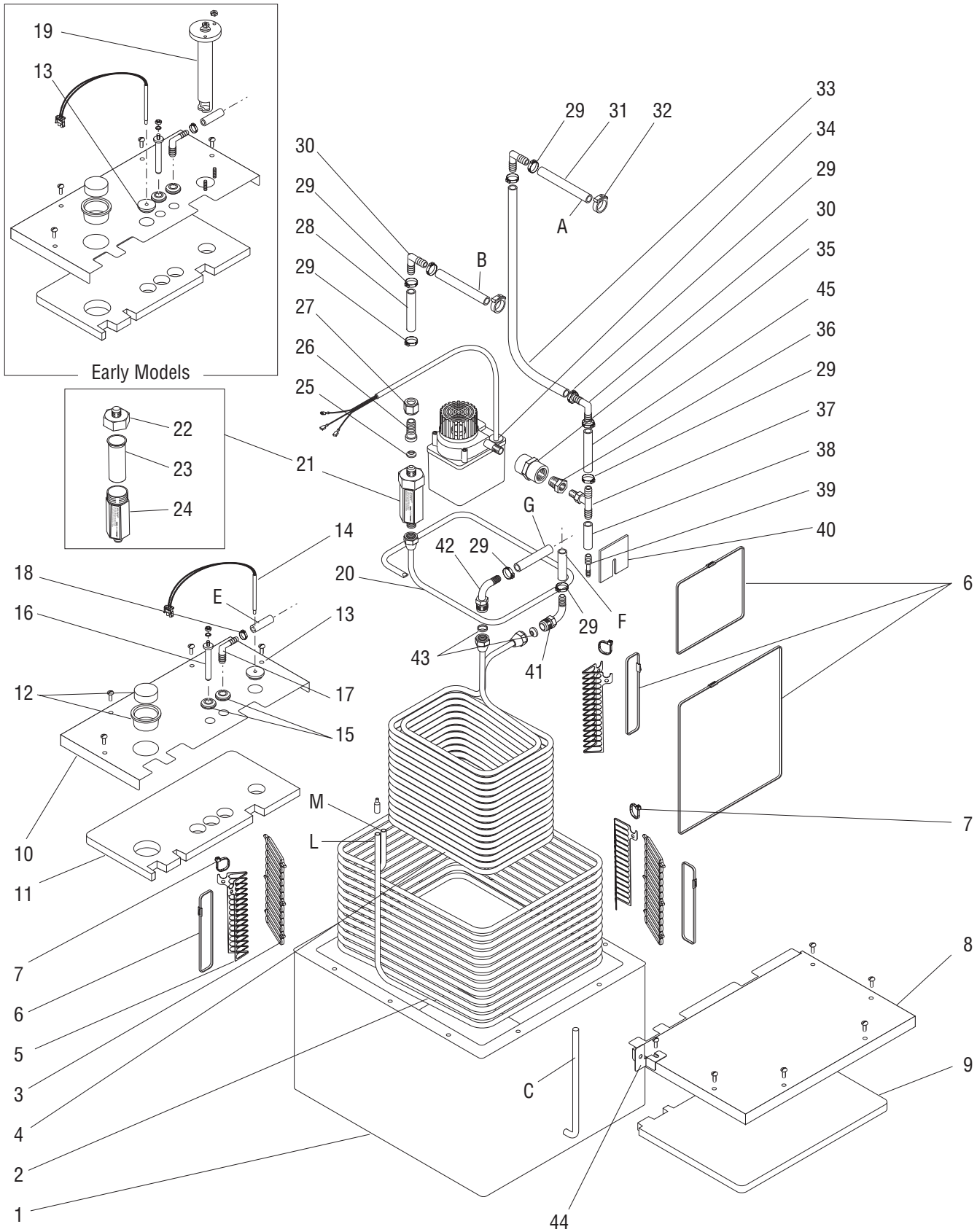
NOTE: Letters appearing within this illustration correspond to matching connections in other illustrations.

P2473



## UPPER CABINET & PANELS

ITEM	PART NO.	QTY.	DESCRIPTION
23	33457.0000	1	Schematic, Electrical
24	-----	3	Hose .38" ID x .50" OD x 36.0" (Order item 36) (Early Models)
25	33462.0002	2	Decal, Concentrate #4
	33462.0003	2	Decal, Concentrate #2
	33462.0004	2	Decal, Concentrate #3
			} Early Models
26	21275.0004	3	Clamp .54 - .64" (Early Models)
27	33150.0000	3	Nut, Swivel (Early Models)
28	33686.0000	3	Fitting (Early Models)
29	00619.0003	3	Plug .56" diam. (Early Models)
	00669.0002	3	Plug, BLK .50" diam. (Late Models)
30	27246.0000	1	Temperature Sensor
31	32455.0000	4	Knob
32	32948.1000	1	Nozzle, Cold Water (Includes item 33)
33	32849.0001	3	O-ring
34	27394.0000	4	Plug
35	-----	1	Gasket, U-channel 2.25" (Order item 38)
36	03271.1002	-	Hose .38" ID x .50" OD x 72.0" (Use as required)
	03271.1003	-	Hose .38" ID x .50" OD x 48.0" (Use as required)
37	M2568.0000	-	Grease, USDA H-1 (Use when assembling items 17,18 & 19)
38	02434.1000	-	Gasket, U-channel 18.0" (Use as required)

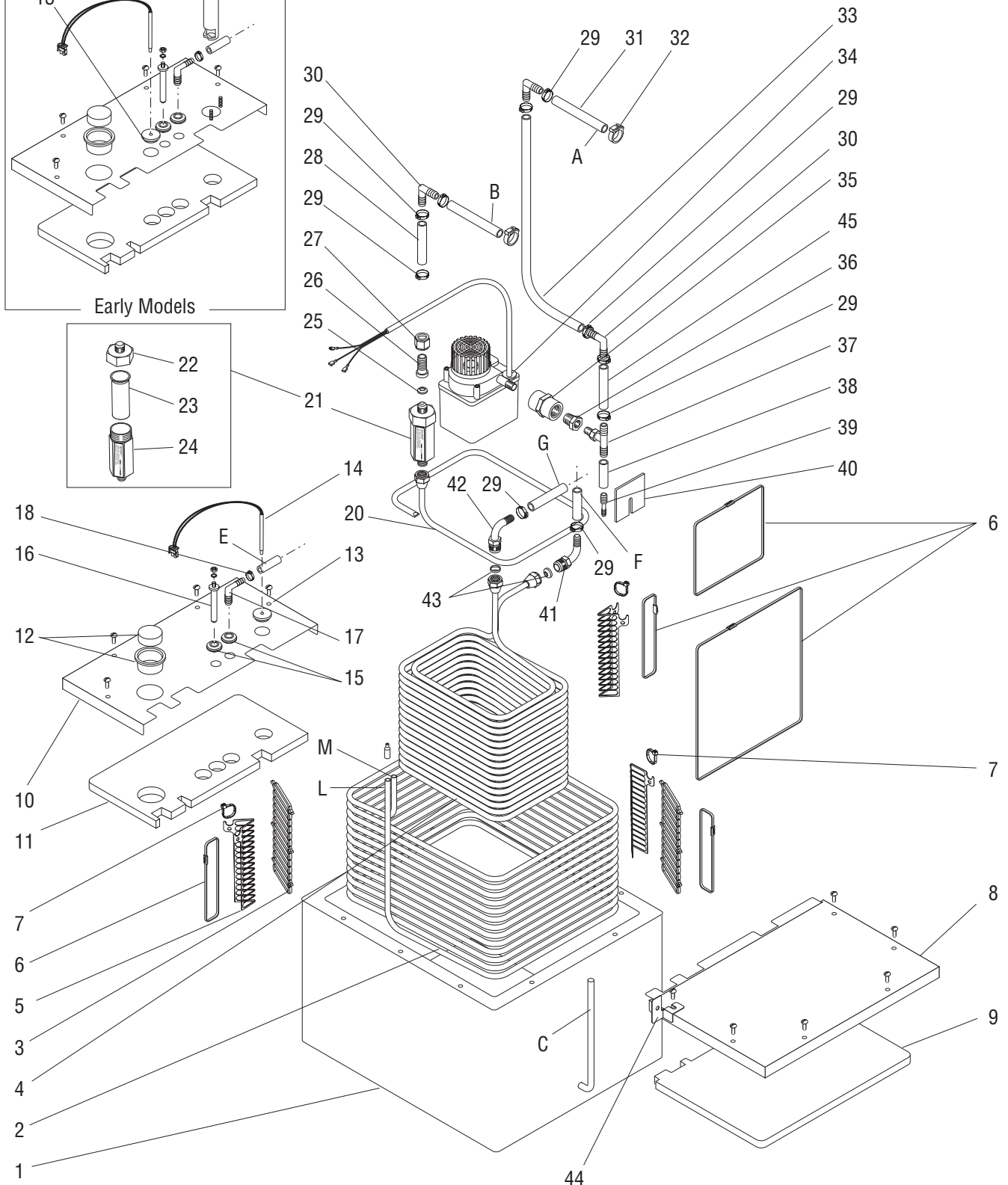
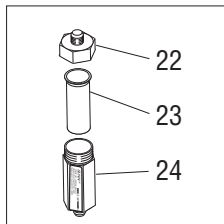
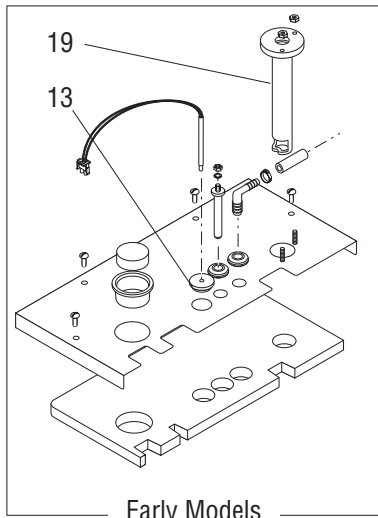


## WATER TANK ASSY

ITEM	PART NO.	QTY.	DESCRIPTION
1	33224.0000	1	Tank Assy
2	32378.0000	1	Evaporator Coil
3	32583.0000	4	Spacer
4	32837.1000	1	Product Coil Assy (Includes 3 each of items 5 & 6)
5	33050.0000	3	Spacer
6	32734.0000	7	Tie, Cable SST 17.5" long
	32734.0001	2	Tie, Cable SST 28.0" long
7	00617.0000	4	Tie, Nylon
8	33225.1000	1	Lid, Front (Includes item 9)
	01317.0000	6	Screw #8-32 x .50"
9	29988.0001	1	Insulation
10	29985.0000	1	Lid, Rear (Includes item 11)(Early Models)
	33339.0001	1	Lid, Rear (Includes item 11)(Late Models)
	01317.0000	4	Screw #8-32 x .50"
11	29988.0000	1	Insulation (Early Models)
	29988.0002	1	Insulation (Late Models)
12	33323.1000	1	Caplug w/Insulation
13	12570.0000	1	Grommet (Early Models)
	33801.0002	1	Grommet (Late Models)
14	29327.0000	1	Temperature Sensor Kit
15	02536.0000	2	Grommet
16	02645.1000	1	Level Probe Assy (Includes hardware indented below)
	01501.0000	1	Washer
	20203.0100	1	Lockwasher, Internal-tooth #8
	00908.0000	1	Nut #8-32
17	32656.0000	1	Fitting, Elbow
18	21275.0006	1	Clamp .40 - .50"
19	32616.1000	1	Tube, Ice Bank Control
	00908.0000	2	Nut #8-32 } Early Models
20	32444.0000	1	Return Manifold
21	23720.1000	1	Strainer Assy (Includes items 22,23 & 24)
22	23723.0000	1	Cap, End
23	23721.0000	1	Screen
24	-----	1	Housing, Strainer (Order item 21)
25	33149.0000	1	Gasket

(Continued)

(Continued)

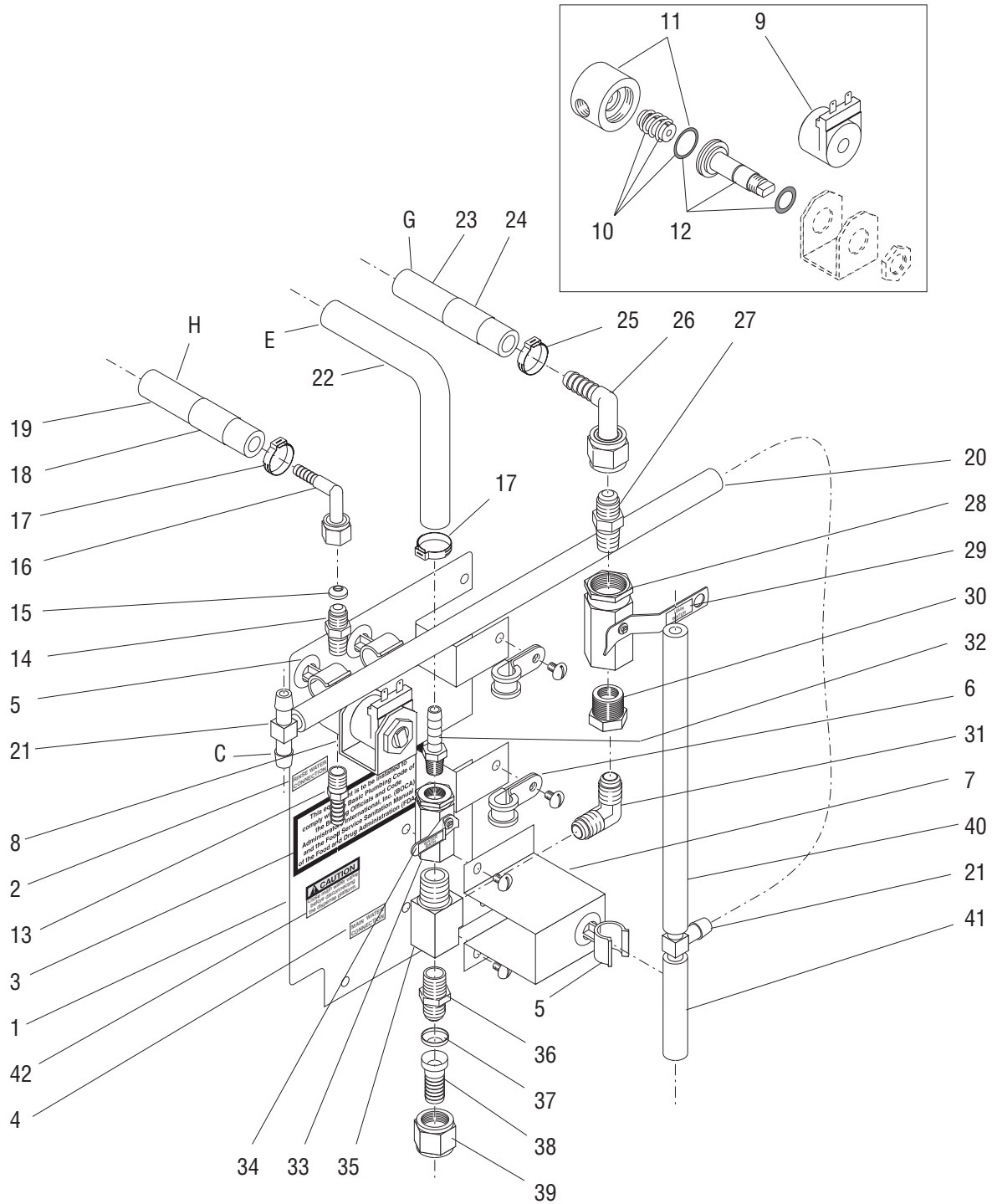


NOTE: Letters appearing within this illustration correspond to matching connections in other illustrations.

P2271

## WATER TANK ASSY

ITEM	PART NO.	QTY.	DESCRIPTION
26	33686.0000	1	Fitting, Barb
27	33150.0000	1	Swivel Nut
28	-----	1	Tube, Silicone .38" ID x .595" OD x 2.625" (Order item 46)
29	21275.0004	10	Clamp .54 - .64"
30	33623.0000	3	Elbow
31	34249.0002	2	Tube, Silicone .38" ID x .595" OD x 2.12"
32	12422.0004	2	Clamp .54 - .64"
33	-----	1	Tube, Silicone .38" ID x .595" OD x 30.0" (Order item 46)(Early Models)
	-----	1	Tube, Silicone .38" ID x .595" OD x 21.0" (Order item 46)(Late Models)
34	33328.0000	1	Pump Assy 120V
	33328.0001	1	Pump Assy 230V
35	33067.0001	1	Fitting
36	33499.0000	1	Bushing
37	24374.0000	1	Tee
38	-----	1	Tube, Silicone .38" ID x .595" OD x 1.6" (Order item 46)
39	33068.0000	1	Fitting
40	33685.0000	1	Deflector
41	33263.0000	1	Fitting (Early Models)
	33299.0000	1	Elbow (Late Models)
42	33299.0000	1	Elbow
43	33149.0001	2	Gasket
44	33707.0000	1	Bracket
	01326.0004	1	Screw, Locking #10-32 x .438" } Early Models
45	-----	1	Tube, Silicone .38" ID x .595" OD x 6.0" (Order item 46)(Late Models)
46	32759.1002	-	Tube, Silicone .38" ID x .595" OD x 120.0" (Use as required)



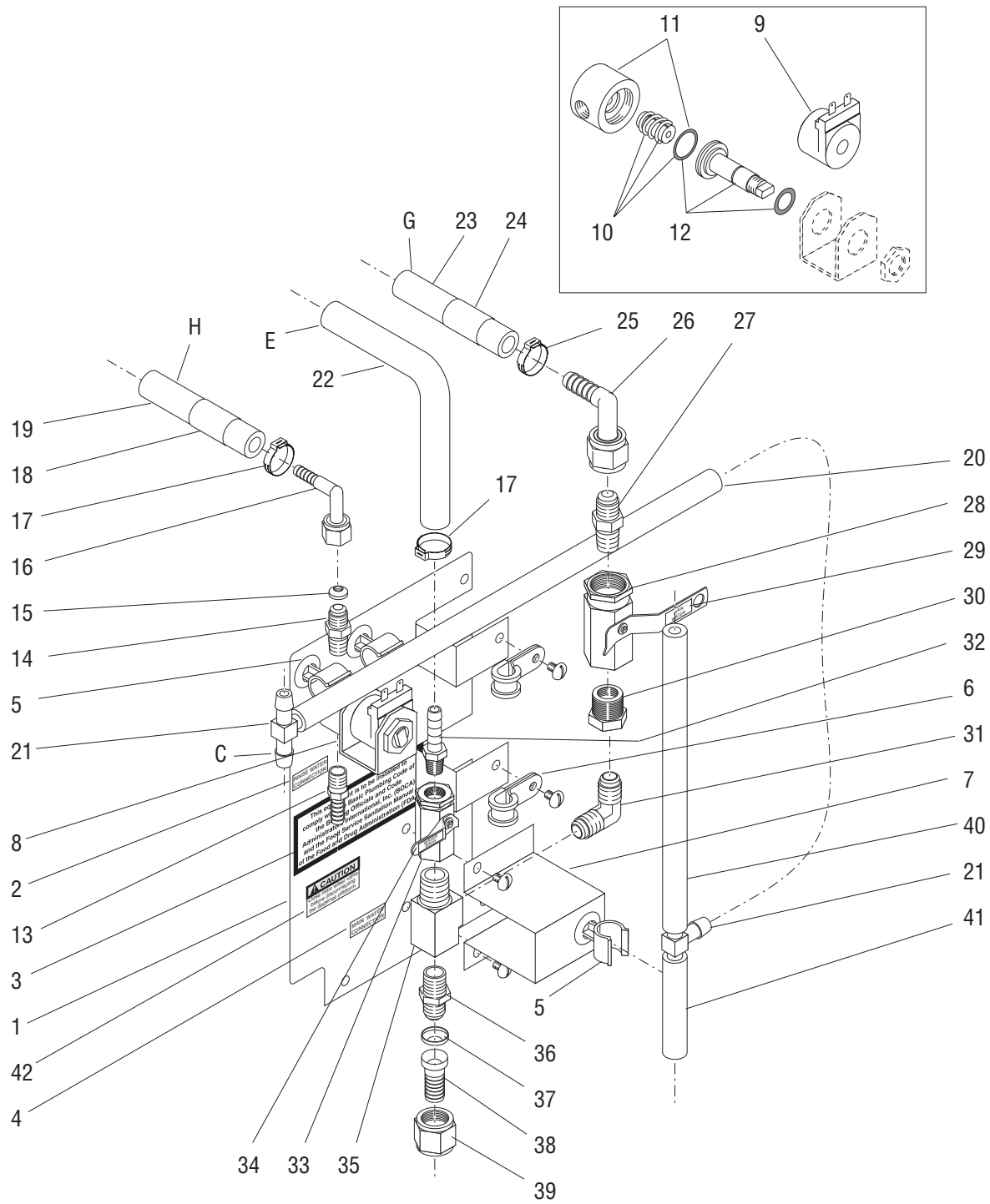
NOTE: Letters appearing within this illustration correspond to matching connections in other illustrations.

## WATER VALVE ASSEMBLY

ITEM	PART NO.	QTY.	DESCRIPTION
1	33808.0000	1	Bracket, Valve Mounting
	01311.0000	3	Screw #8-32 x .25"
2	33646.0000	1	Decal, Rinse Water Connection
3	00656.0000	1	Decal, Comply to Plumbing
4	33645.0000	1	Decal, Main Water Connection
5	27410.0000	3	Clip, Tube (One less used on Late Models)
6	32360.0002	2	Clamp
	01311.0000	2	Screw #8-32 x .25"
7	32587.0002	1	Bracket
	01311.0000	2	Screw #8-32 x .25"
8	01085.0002	1	Valve, Solenoid 120V (Includes items 9 - 12)
	28005.0000	1	Valve, Solenoid 230V (Includes items 9 - 11)
	01327.0000	2	Screw #10-32 x .38" (Early Models)
	01326.0006	2	Screw #10-32 x .625" (Late Models)
	00450.0000	2	Spacer (Late Models)
	01502.0000	2	Lockwasher #10
9	28480.0000	1	Solenoid Valve Coil 120V
	28020.0000	1	Solenoid Valve Coil 230V
10	01111.0002	1	Solenoid Valve Repair Kit (Includes Plunger, Spring and O-ring)
11	28479.0000	1	Solenoid Valve Base Kit 120V (Includes O-ring)
	28021.0000	1	Core Assy Kit 230V
12	28481.0000	1	Guide Kit
13	33152.0000	1	Fitting
14	00402.0001	1	Connector
15	33149.0001	1	Gasket
16	33151.0001	1	Elbow
17	21275.0006	2	Clamp .40 - .50"
18	33462.0001	1	Decal, Wrap Around - Rinse Line (Early Models)
19	-----	1	Hose .25" ID x .44" OD x 27.0" (Order item 44)
20	-----	1	Hose, Silicone .25" ID x .50" OD x 12.0" (Order item 45)
21	33153.0000	2	Tee
22	-----	1	Hose .25" ID x .44" OD x 18.0" (Order item 44)
23	-----	1	Hose .38" ID x .595" OD x 21.0" (Order item 43)
24	33462.0000	1	Decal, Wrap Around - Water Line (Early Models)
25	21275.0003	1	Clamp .57 - .69"
26	33151.0000	1	Fitting, Elbow .38" Barb

(Continued)

(Continued)



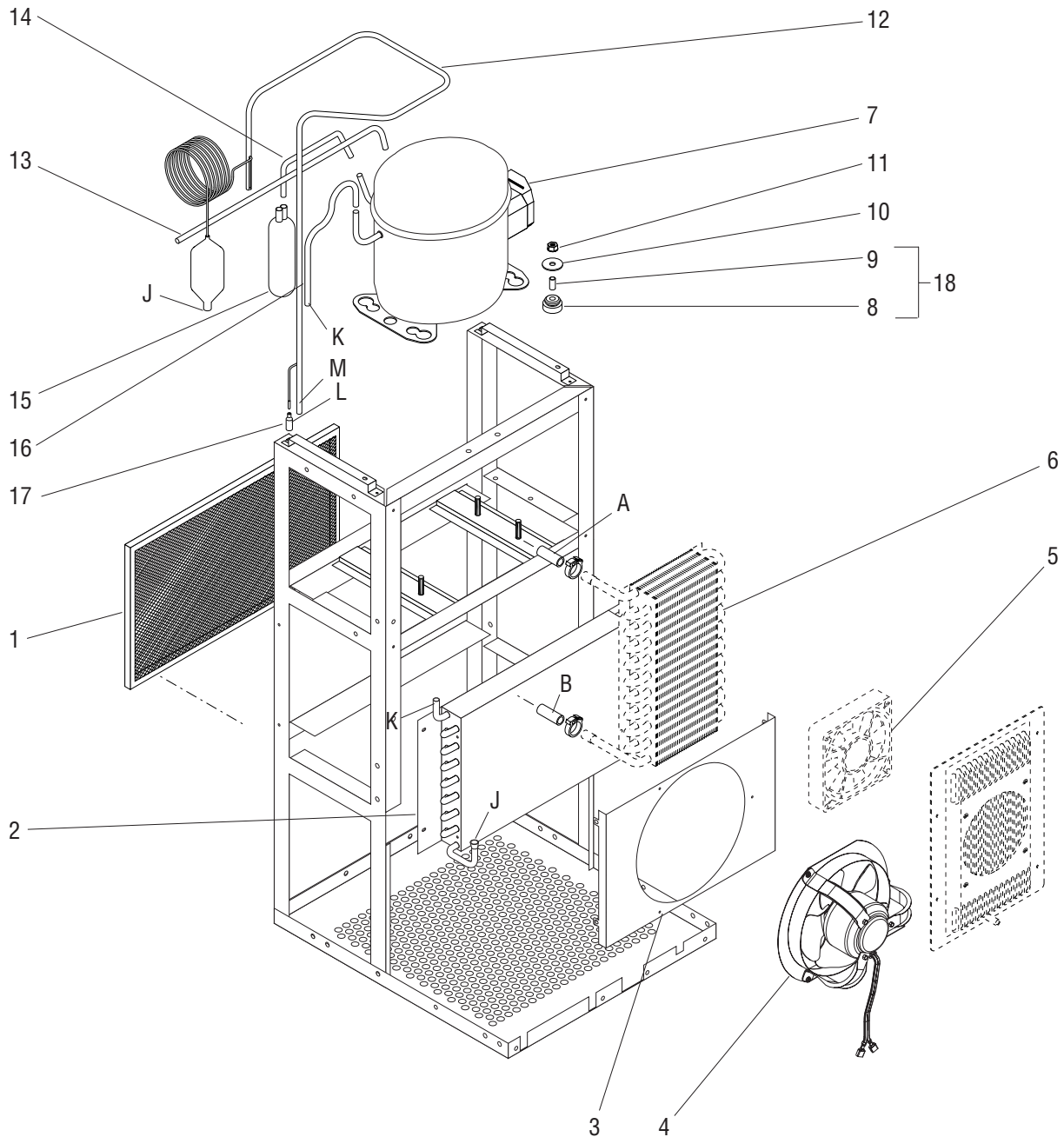
P2474

NOTE: Letters appearing within this illustration correspond to matching connections in other illustrations.



## WATER VALVE ASSEMBLY

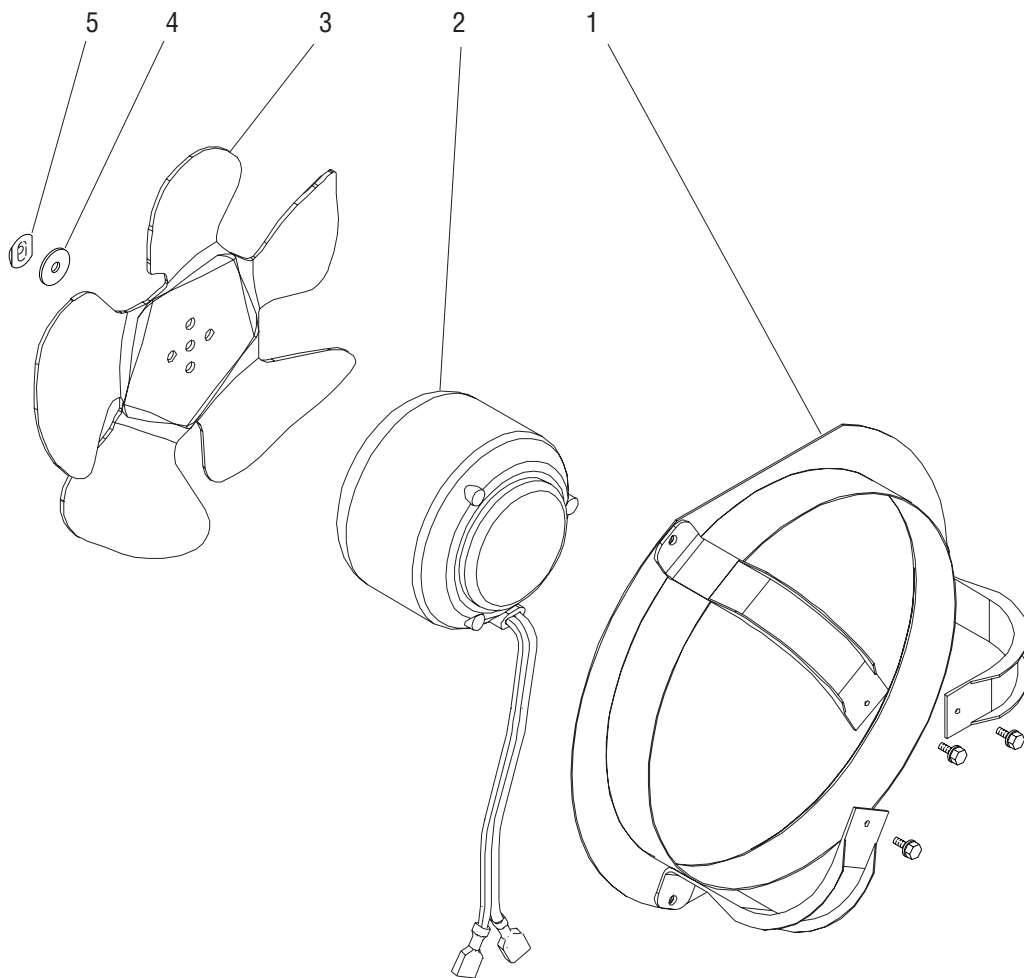
ITEM	PART NO.	QTY.	DESCRIPTION
27	00510.0001	1	Connector
28	33114.0000	1	Valve (Also order item 29)
29	33467.0000	1	Decal, Main Water Valve
30	00441.0000	1	Bushing
31	32170.0000	1	Elbow
32	34086.0000	1	Fitting .25" Barb
33	33113.0000	1	Valve (Also order item 34)
34	33466.0000	1	Decal, Water Bath Fill Valve
35	21166.0001	1	Tee
36	00510.0002	1	Connector
37	33149.0000	1	Gasket
38	33686.0000	1	Nipple .38" Barb
39	33150.0000	1	Nut, Swivel
40	-----	1	Hose, Silicone .25" ID x .50" OD x 7.40" (Order item 45)
41	-----	1	Hose, Silicone .25" ID x .50" OD x 1.75" (Order item 45)
42	34540.0000	1	Decal, Caution - Close Valve
43	32759.1002	-	Hose .38" ID x .595" OD x 120.0" (Use as required)
44	32745.1002	-	Hose .25" ID x .44" OD x 120.0" (Use as required)
45	11707.1000	-	Hose, Silicone .25" ID x .50" OD x 12.0" (Use as required)
	11707.1001	-	Hose, Silicone .25" ID x .50" OD x 36.0" (Use as required)
	11707.1002	-	Hose, Silicone .25" ID x .50" OD x 120.0" (Use as required)



NOTE: Letters appearing within this illustration correspond to matching connections in other illustrations.

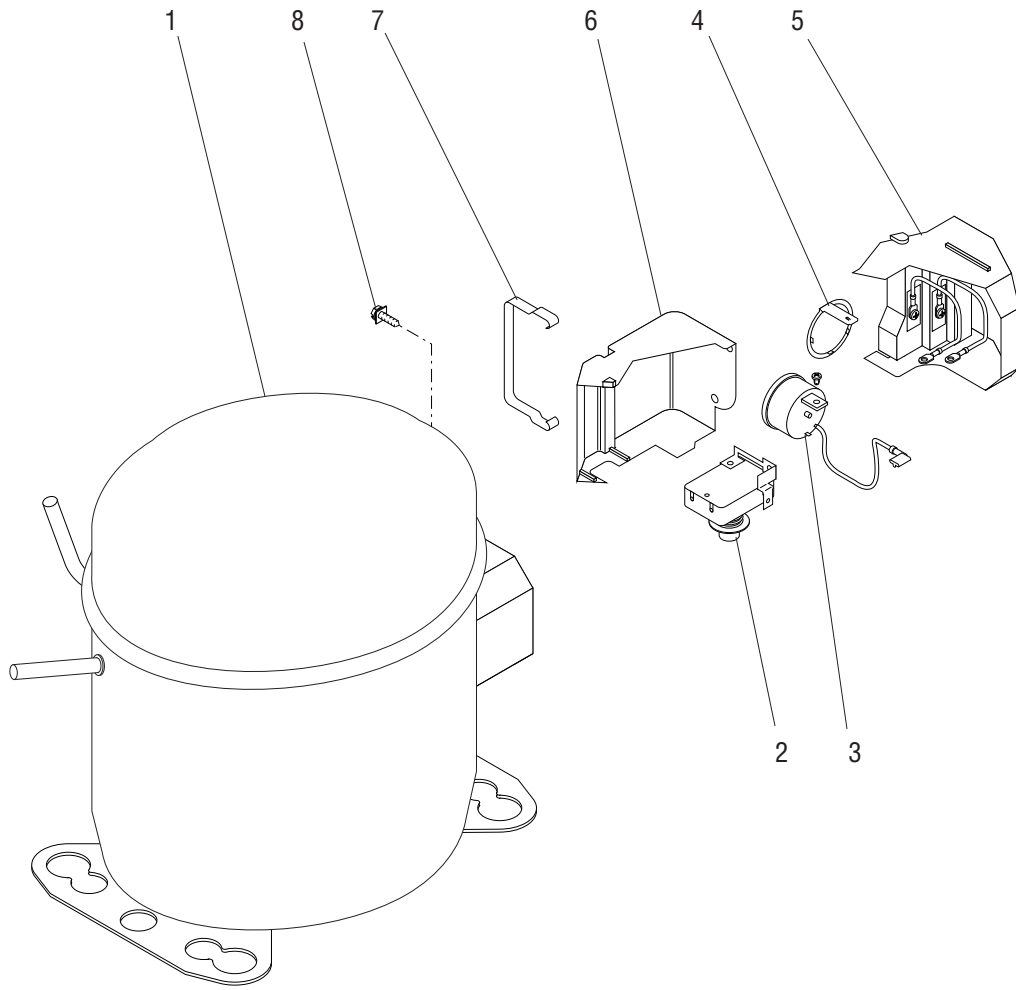
## REFRIGERATION COMPONENTS

ITEM	PART NO.	QTY.	DESCRIPTION
1	33856.1000	1	Air Filter
2	32176.0000	1	Condenser
	01311.0000	4	Screw #8-32 x .25"
3	32174.0000	1	Shroud
	02332.0002	4	Screw #6 x .38"
4	-----	1	Fan Assy (See CONDENSER FAN ASSY)
	02332.0002	3	Screw #6 x .38"
5	-----	1	Fan Assy (See UPPER CABINET ASSY)
6	-----	1	Water Coil (See UPPER CABINET ASSY)
7	-----	1	Compressor Assy (See COMPRESSOR ASSY)
8	-----	4	Grommet
9	-----	4	Sleeve
			} Order item 18
10	21431.0003	4	Washer
11	23700.0000	4	Nut
12	34016.1000	1	Tube (Requires brazing to install)
13	32169.0001	1	Tube (Requires brazing to install)
14	33898.0001	1	Tube (Requires brazing to install)
15	32776.0001	1	Accumulator (Requires brazing to install)
16	33897.0001	1	Tube (Requires brazing to install)
17	32777.0000	1	Tube Adapter (Requires brazing to install)
18	28567.0000	1	Mounting Kit (Includes four each of items 8 & 9)
19	M2316.1000	-	Insulation, Tube .38" ID (Use as required)
20	M2332.1000	-	Insulation, Tube 1.625" ID (Use as required)



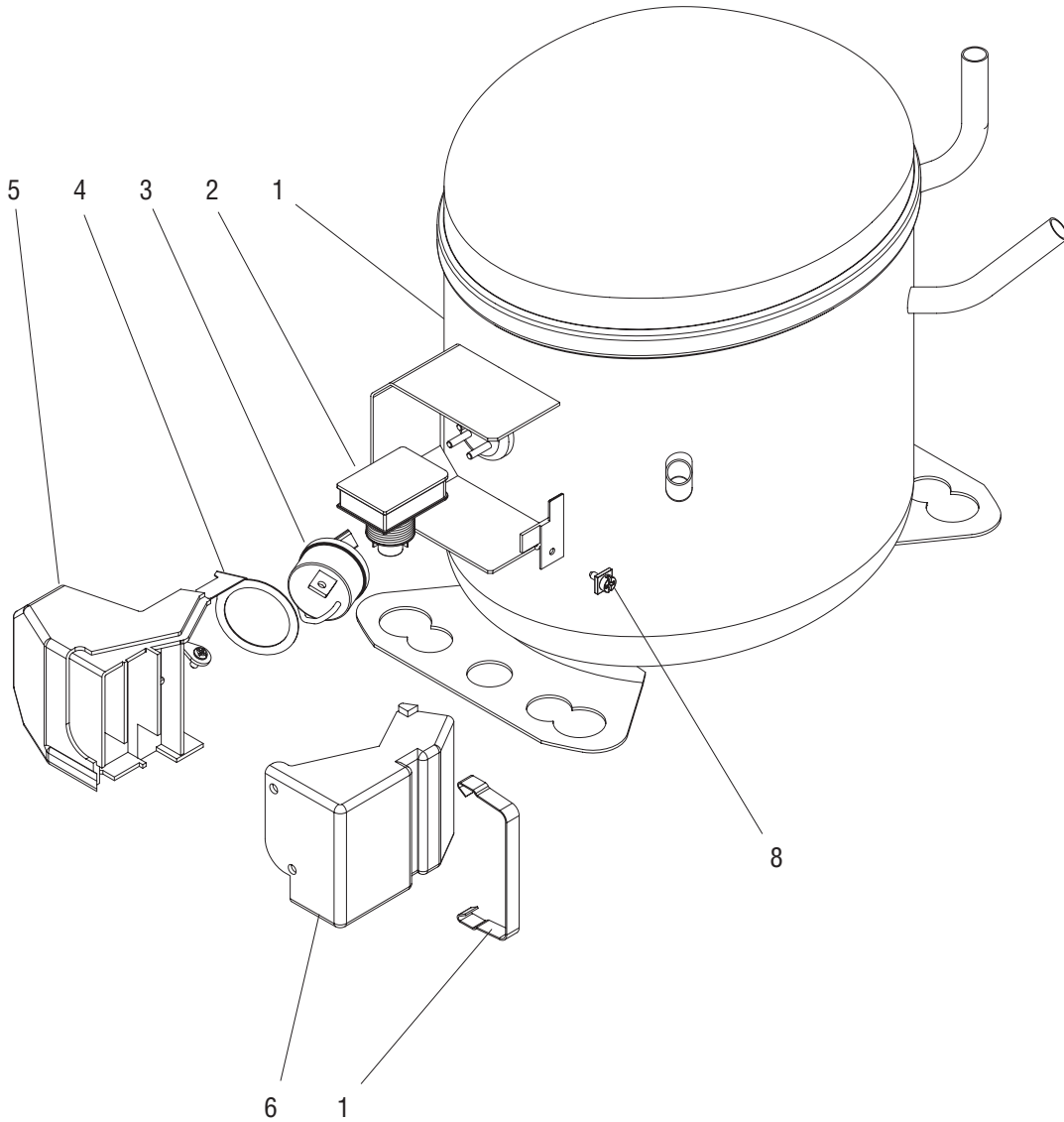
## FAN ASSEMBLY

ITEM	PART NO.	QTY.	DESCRIPTION
-	32204.0000	1	Fan Assy 120V (Includes items 1-5)
	32204.0003	1	Fan Assy 230V (Includes items 1-5)
	02332.0002	3	Screw, Crimptite #6 x .38"
1	33601.0000	1	Mount
	27243.0000	3	Screw, Thread Forming #8-32 x .437"
2	33603.0000	1	Motor Assy 120V
	33603.0001	1	Motor Assy 230V
3	33602.0000	1	Blade, Fan
4	27258.0000	1	Silencer
5	27257.0000	1	Speed Nut



## COMPRESSOR ASSEMBLY (120V Models)

ITEM	PART NO.	QTY.	DESCRIPTION
-	32778.0000	1	Compressor Assy (Includes items 1 - 8)
1	-----	1	Compressor Housing (Not serviced)
2	33759.0000	1	Relay
3	33758.0000	1	Overload Protector
4	33757.0000	1	Retainer
5	33756.0000	1	Terminal Block Cover
6	33755.0000	1	Cover
7	33754.0000	1	Clip
8	33762.0000	1	Screw, Pan Head, Ground M3.5 x 6mm

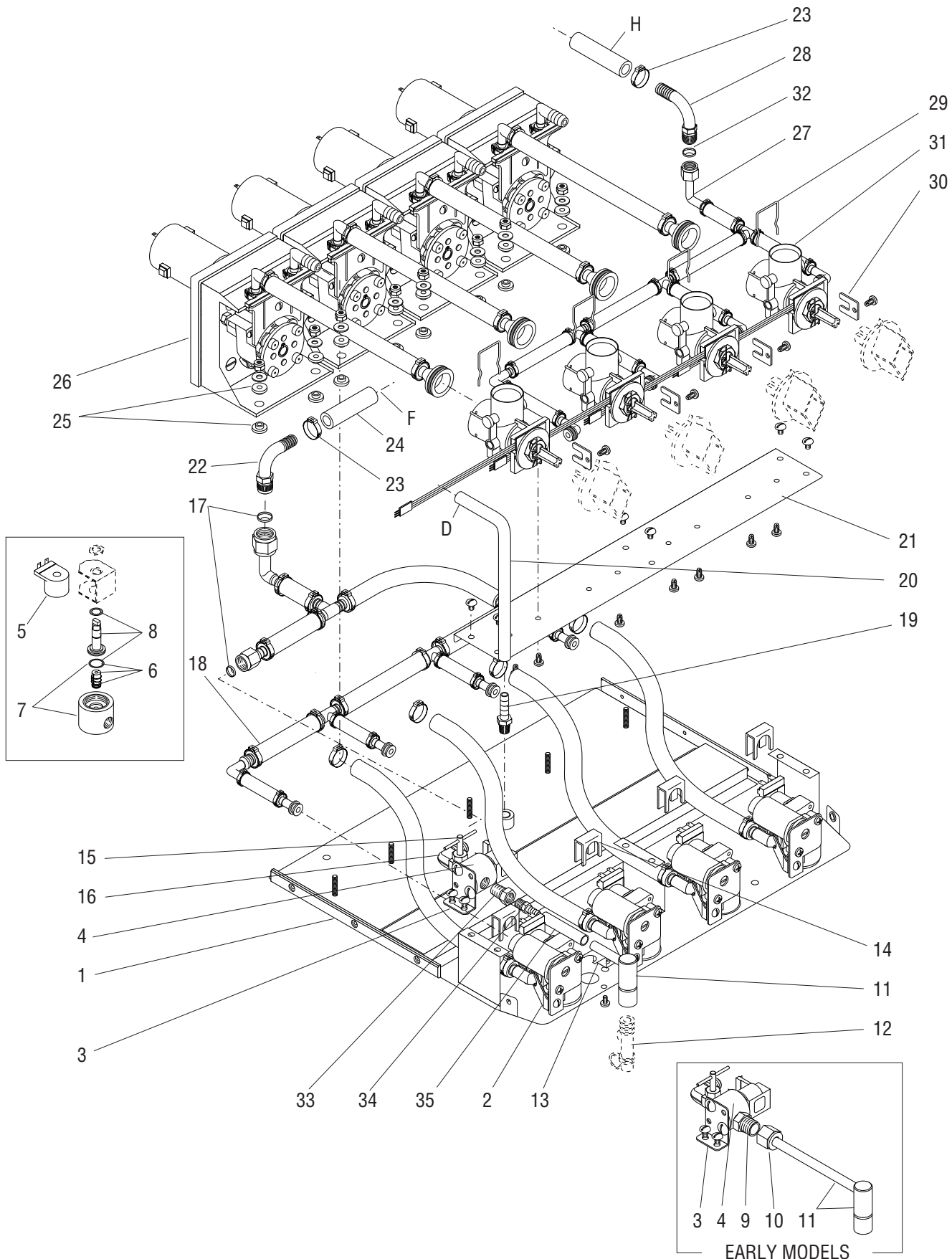




## COMPRESSOR ASSEMBLY (230V Models)

ITEM	PART NO.	QTY.	DESCRIPTION
-	32778.0001	1	Compressor Assy (Includes items 1 - 10)
1	-----	1	Compressor Housing (Not serviced)
2	35293.0000	1	Relay
3	35292.0000	1	Overload Protector
4	33757.0000	1	Retainer
5	33756.0000	1	Terminal Block Cover
6	33755.0000	1	Cover
7	33754.0000	1	Clip
8	33762.0000	1	Screw, Pan Head, Ground M3.5 x 6mm
9	35294.0000	1	Capacitor, Start
10	35295.0000	1	Cap, Start Capacitor

} Not Illustrated



NOTE: Letters appearing within this illustration correspond to matching connections in other illustrations.

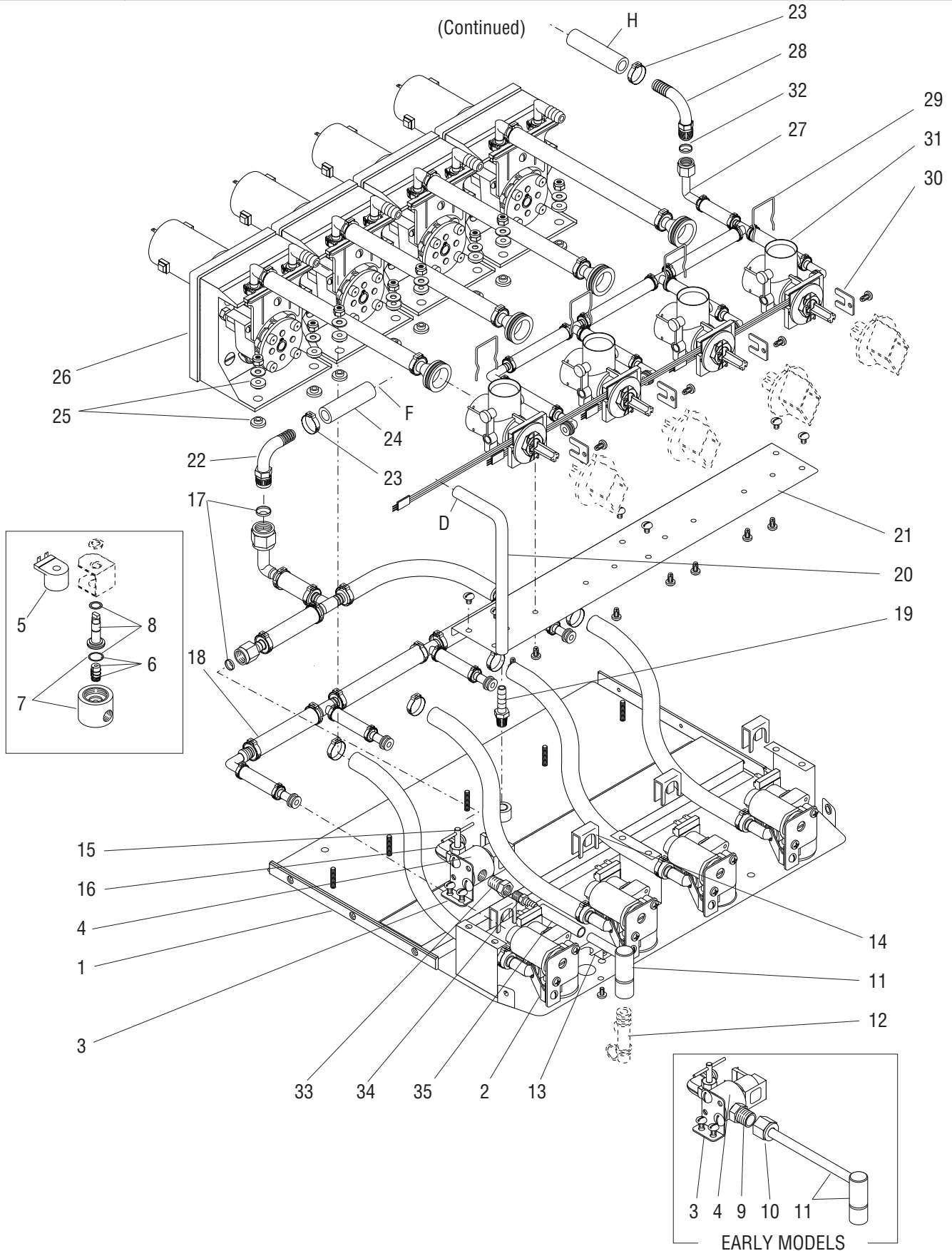
P2492

## DISPENSE PLATFORM ASSEMBLY (Early Models)

ITEM	PART NO.	QTY.	DESCRIPTION
1	-----	1	Platform (Not serviced)
2	----- 32860.0000	4 8	Dispense Valve (See DISPENSE VALVE ASSY) Screw #8-18 x .312"
3	04623.0001 01311.0001	1 2	Bracket Screw, Locking #8-32 x .25"
4	32757.0000 01326.0002	1 2	Valve Assy, Water (Includes items 5 - 8) Screw, Locking #10-32 x .312"
5	33582.0000	1	Solenoid Valve Coil
6	01111.0002	1	Solenoid Valve Repair Kit (Includes Plunger, Spring and O-ring)
7	-----	1	Solenoid Valve Base Kit (Not serviced, order item 4)
8	28481.0000	1	Guide Kit
9	00406.0001	1	Fitting (Early Models)
10	00929.0001	1	Nut, Compression (Early Models)
11	33148.0000 33148.0001	1 1	Socket, Cold Water 4.5" Tube (Early Models) Socket, Cold Water 1.5" Tube (Late Models)
12	-----	1	Nozzle, Cold Water (See UPPER CABINET & PANELS)
13	32951.0000 01308.0002	1 1	Bracket Screw, Locking #6-32 x .25"
14	32857.0000	4	Clip
15	21634.0002	1	Valve, Needle
16	00456.0001	1	Elbow
17	33149.0001	2	Gasket
18	-----	1	Manifold, Plain Water (See PLAIN WATER MANIFOLD ASSY)
19	22397.0001	1	Fitting
20	-----	1	Hose, Silicone .25" ID x .50" OD x 7.0" (Order item 37)
21	33783.0000 01311.0001	1 6	Rail Screw, Locking #8-32 x .25"
22	33299.0000	1	Elbow
23	21275.0004	6	Clamp .54 - .64"
24	-----	1	Hose .38" ID x .595" OD x 21.0" (Order item 38)
25	32957.0001	16	Bushing, Rubber

(Continued)

(Continued)

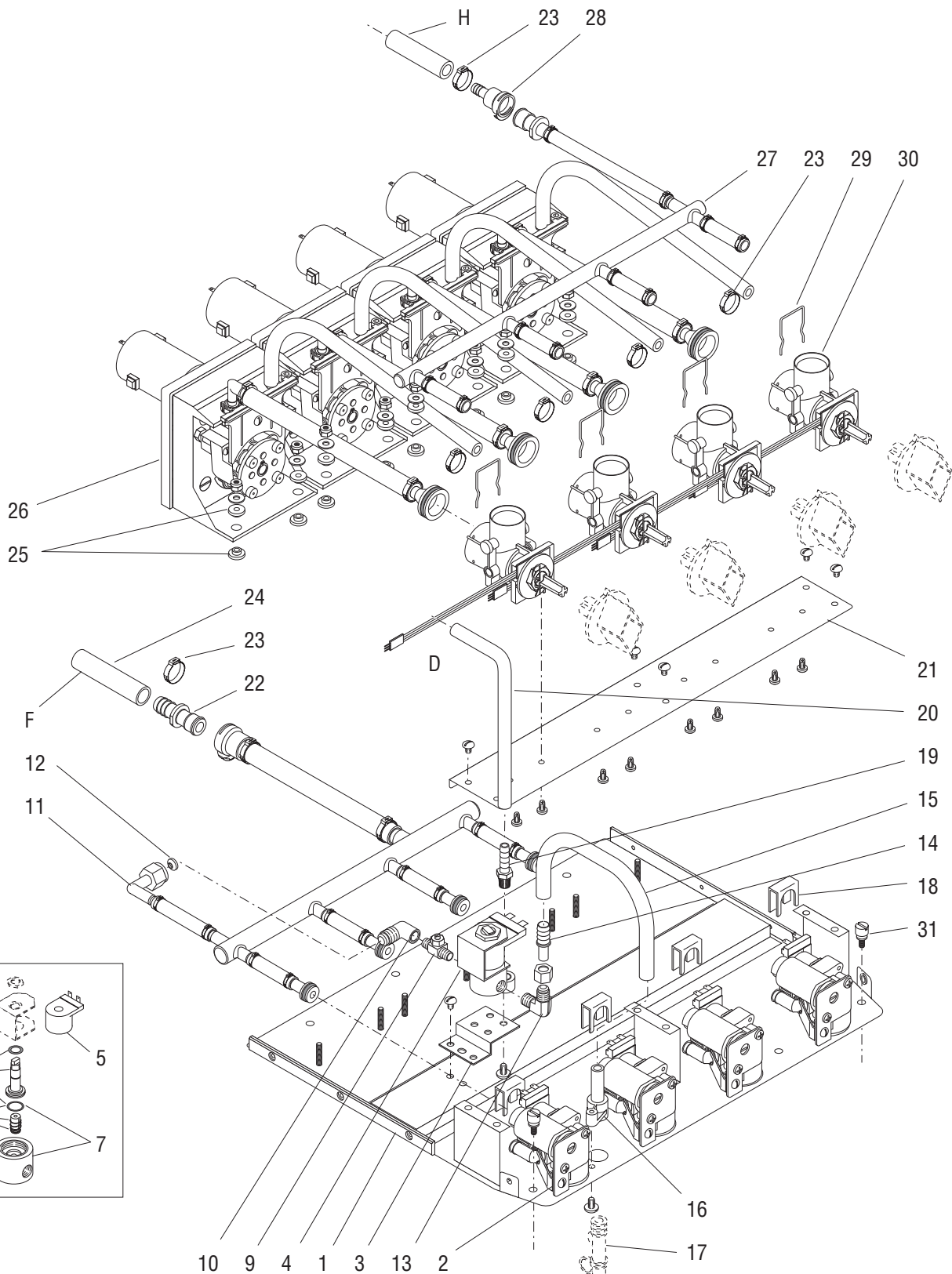


NOTE: Letters appearing within this illustration correspond to matching connections in other illustrations.

P2492

## DISPENSE PLATFORM ASSEMBLY (Early Models)

ITEM	PART NO.	QTY.	DESCRIPTION	
26	-----	4	Pump Assy (See PUMP ASSEMBLY)	
	01338.0000	4	Screw 38-32 x .625"	
	01522.0000	8	Washer	
	00991.0000	4	Nut, Elastic Lock #8-32	
27	-----	1	Manifold, Rinse Water (See RINSE WATER MANIFOLD ASSY)	
28	33774.0000	1	Elbow .25" Barb	
29	32458.0000	4	Clip, Retainer	
30	32846.0000	4	Plate	
	32860.0000	4	Screw #8-18 x .312"	
31	-----	4	Bottle Adapter (See BOTTLE ADAPTER ASSY)	
	32860.0000	8	Screw #8-18 x .312"	
32	33149.0000	1	Gasket	
33	20777.0001	1	Connector	
34	27170.0002	1	Fitting	
35	-----	1	Hose, Silicone .313" O.D. x 4.0" (Order item 36)	
36	28526.1000	-	Hose, Silicone .313" O.D. x 12.0" (Use as required)	} Not Illustrated
37	11707.1000	-	Hose, Silicone .25" ID x .50" OD x 12.0" (Use as required)	
38	32759.1002	-	Hose .38" ID x .595" OD x 120.0" (Use as required)	
39	33180.0000	1	Wiring Harness, Platform Rear	
40	33140.0001	1	Wiring Harness, Dispense Valve	



NOTE: Letters appearing within this illustration correspond to matching connections in other illustrations.

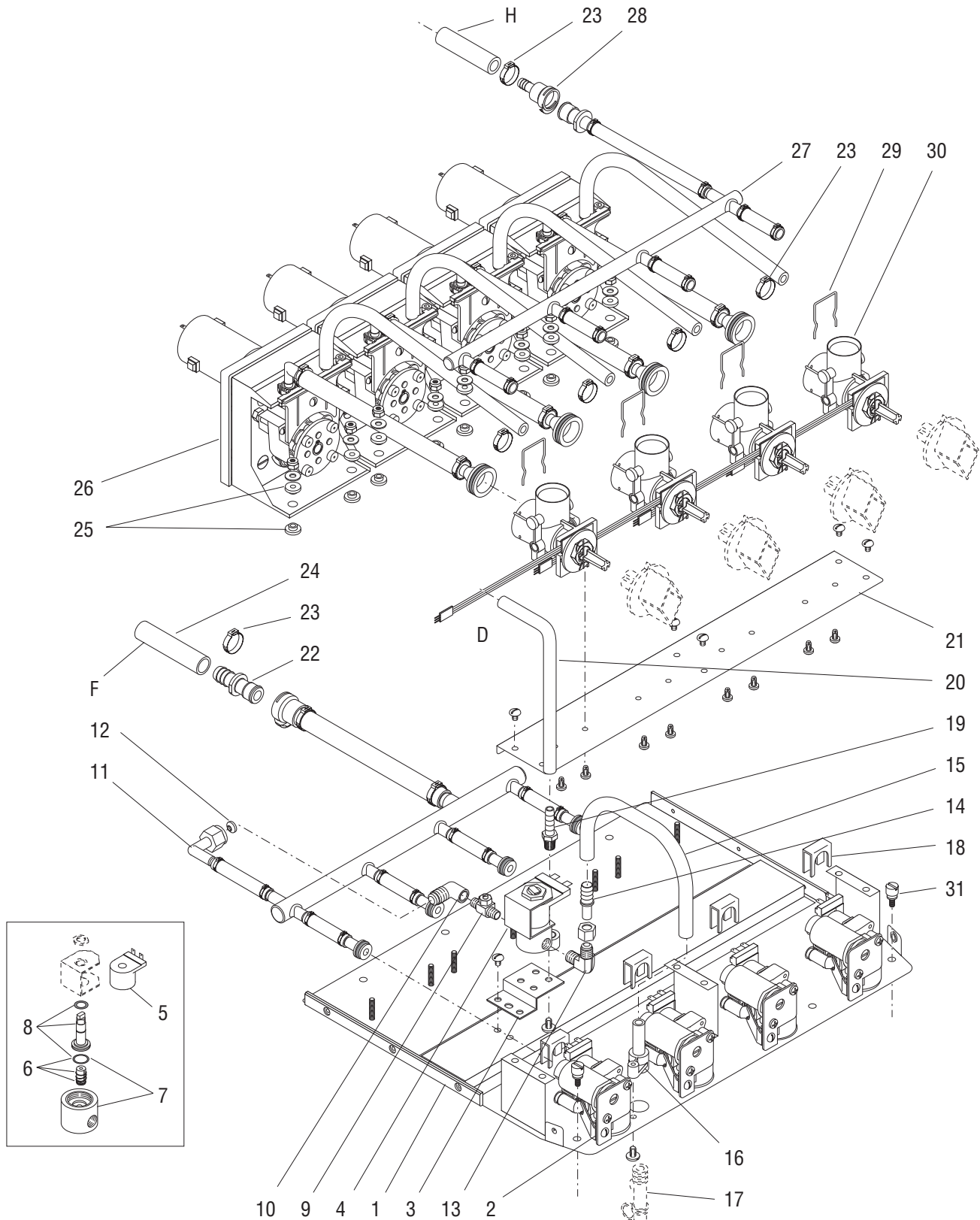
P2714

## DISPENSE PLATFORM ASSEMBLY (Late Models)

ITEM	PART NO.	QTY.	DESCRIPTION
1	33782.1000	1	Platform Assy (Includes items 1 - 16, 18 - 21, 23, 25 - 30, 32, 35 & 36)
2	----- 32860.0000	4 8	Dispense Valve (See DISPENSE VALVE ASSY) Screw #8-18 x .312"
3	20201.4301 01311.0001	1 2	Bracket Screw, Locking #8-32 x .25"
4	32757.0000 01326.0002	1 2	Valve Assy, Water (Includes items 5 - 8) Screw, Locking #10-32 x .312"
5	33582.0000	1	Solenoid Valve Coil
6	01111.0002	1	Solenoid Valve Repair Kit (Includes Plunger, Spring and O-ring)
7	-----	1	Solenoid Valve Base Kit (Not serviced, order item 4)
8	28481.0000	1	Guide Kit
9	21634.0002	1	Valve, Needle
10	20581.0000	1	Elbow
11	-----	1	Manifold, Plain Water (See PLAIN WATER MANIFOLD ASSY)
12	33149.0001	1	Gasket
13	00465.0001	1	Elbow
14	27170.0002 00443.0001	1 1	Fitting Compression Nut & Sleeve
15	-----	1	Hose, Silicone .313" O.D. x 8.0" (Order item 32)
16	32008.0000 01364.0000	1 1	Fitting, Cold Water Socket Screw #6-32 x 3/8"
17	-----	1	Nozzle, Cold Water (See UPPER CABINET & PANELS)
18	32857.0000	4	Clip
19	22397.0001	1	Fitting
20	-----	1	Hose, Silicone .25" ID x .50" OD x 7.0" (Order item 33)
21	33783.0000 01311.0001	1 6	Rail Screw, Locking #8-32 x .25"
22	34462.0000	1	Fitting, Quick Disconnect, Male
23	21275.0004	6	Clamp .54 - .64"
24	-----	1	Hose .38" ID x .595" OD x 21.0" (Order item 34)
25	32957.0001	16	Bushing, Rubber

(Continued)

(Continued)

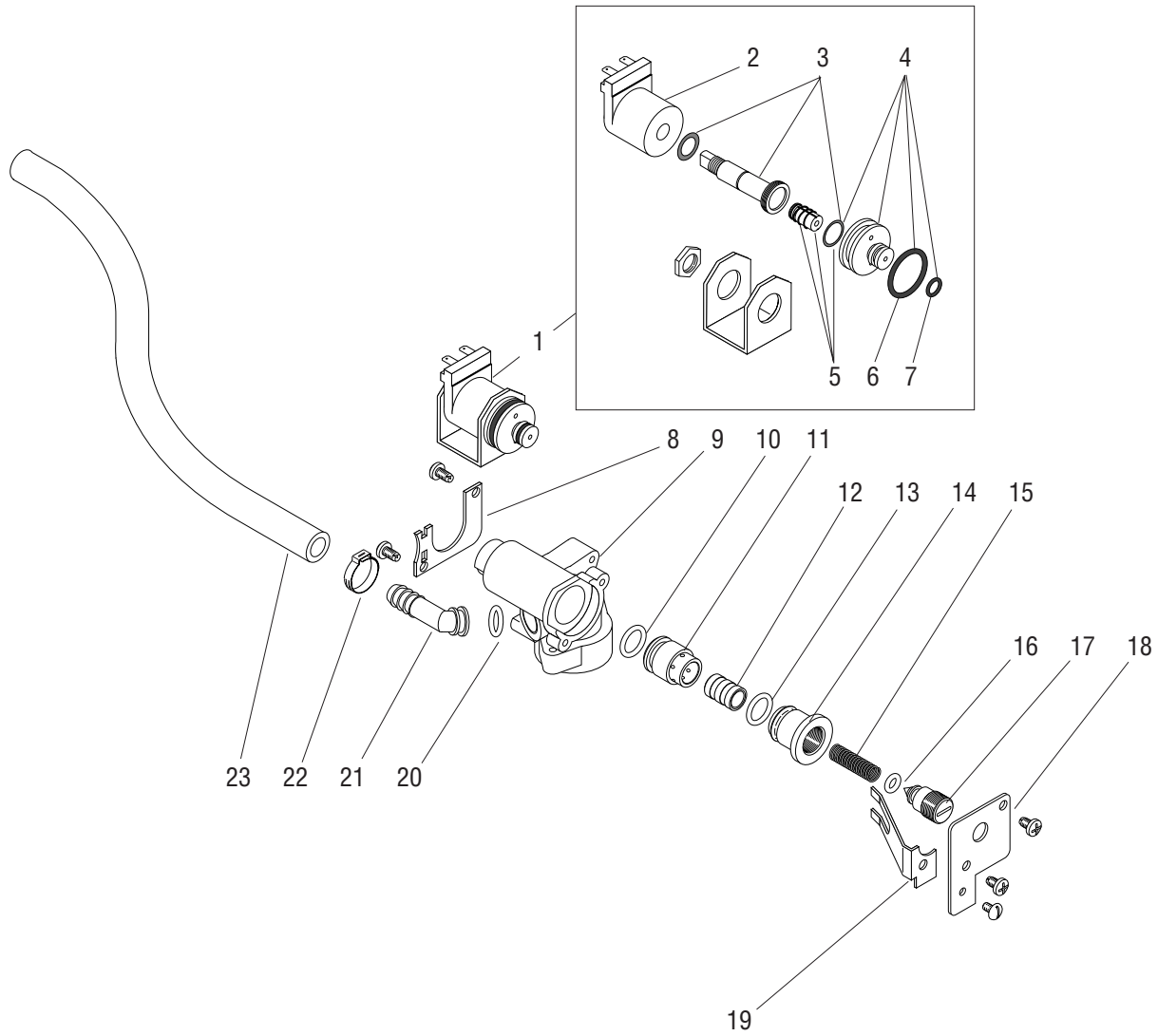




## DISPENSE PLATFORM ASSEMBLY (Late Models)

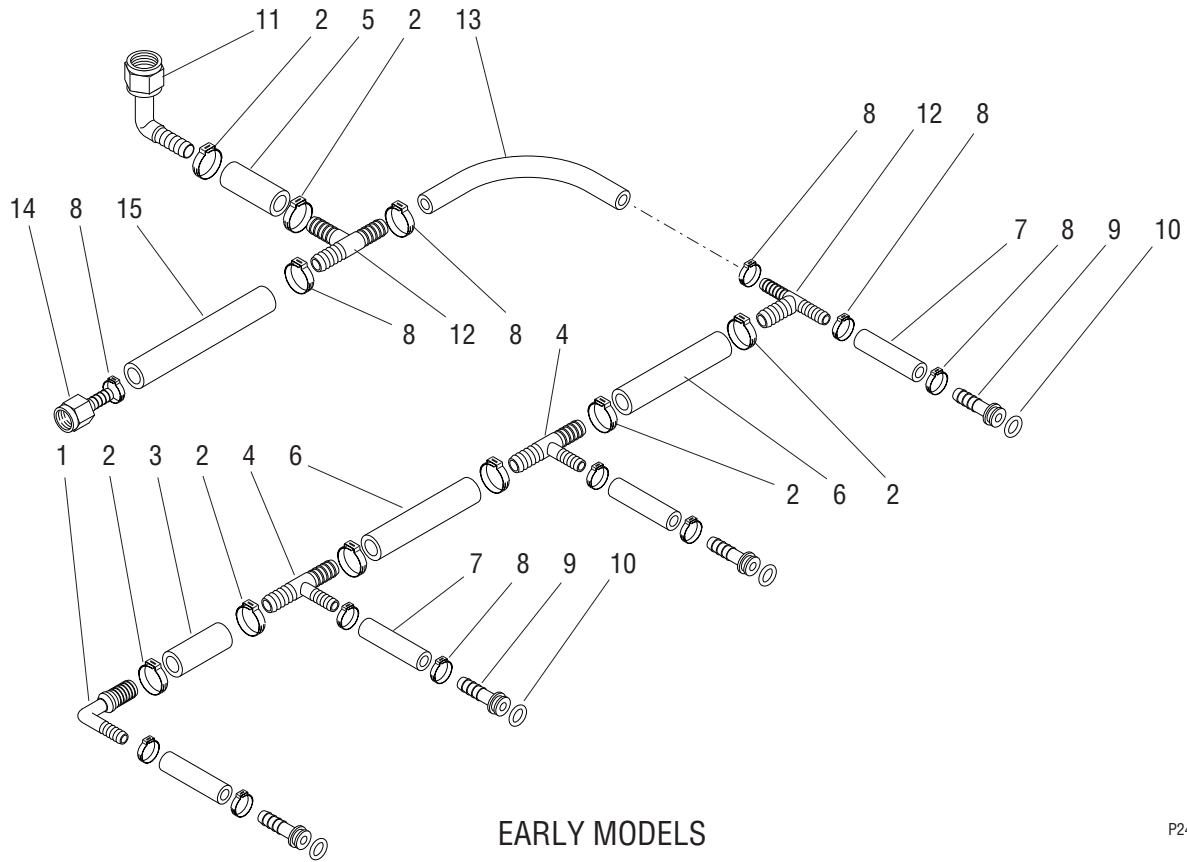
ITEM	PART NO.	QTY.	DESCRIPTION
26	-----	4	Pump Assy (See PUMP ASSEMBLY)
	01338.0000	4	Screw 38-32 x .625"
	01522.0000	8	Washer
	00991.0000	4	Nut, Elastic Lock #8-32
27	-----	1	Manifold, Rinse Water (See RINSE WATER MANIFOLD ASSY)
28	34461.0000	1	Fitting, Quick Disconnect, Female
29	32458.0000	4	Clip, Retainer
30	-----	4	Bottle Adapter (See BOTTLE ADAPTER ASSY)
	32860.0000	8	Screw #8-18 x .312"
31	28062.0000	2	Thumbscrew
32	28526.1000	-	Hose, Silicone .313" O.D. x 12.0" (Use as required)
33	11707.1000	-	Hose, Silicone .25" ID x .50" OD x 12.0" (Use as required)
34	32759.1002	-	Hose .38" ID x .595" OD x 120.0" (Use as required)
35	33180.0000	1	Wiring Harness, Platform Rear
36	33140.0001	1	Wiring Harness, Dispense Valve

} Not Illustrated



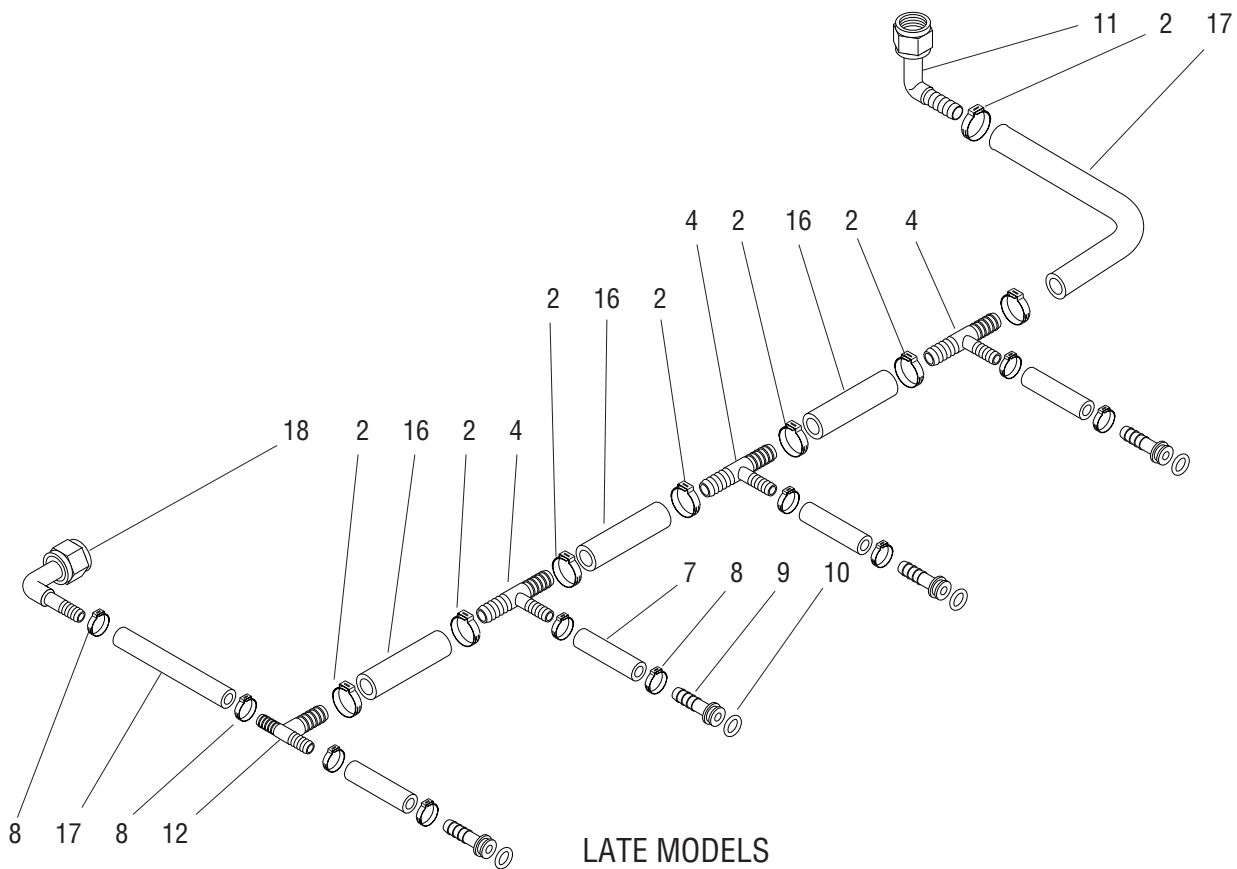
## DISPENSE VALVE ASSEMBLY

ITEM	PART NO.	QTY.	DESCRIPTION
-	32755.0000	1	Dispense Valve Assy (Includes items 1 - 23)
1	32252.0000	1	Valve, Solenoid (Includes items 2 - 7)
2	33554.0000	1	Solenoid Valve Coil
3	28481.0000	1	Guide Kit (Includes Guide, Washer and O-ring)
4	33585.0000	1	Solenoid Valve Base Kit (Includes O-ring and items 6 & 7)
5	01111.0002	1	Solenoid Valve Repair Kit (Includes Plunger, Spring and O-ring)
6	33580.0000	1	O-ring
7	33553.0000	1	O-ring
8	32855.0000	1	Bracket
	32860.0000	2	Screw #8-18 x .312"
9	32622.0000	1	Body
10	32852.0000	1	O-ring (Also use item 25)
11	32603.0000	1	Sleeve
12	32602.0000	1	Piston
13	33725.0000	1	O-ring (Also use item 25)
14	32624.0000	1	Bonnet, Adjuster
15	32853.0000	1	Spring, Flow Control
16	32851.0000	1	O-ring (Also use item 25)
17	32623.0000	1	Adjuster, Position
18	32856.0000	1	Bracket
	32860.0000	2	Screw #8-18 x .312"
19	33155.0000	1	Bracket, Fitting
	01308.0000	1	Screw #6-32 x .25"
20	32849.0001	1	O-ring (Also use item 25)
21	32655.0000	1	Fitting, Elbow
22	21275.0003	1	Clamp .59 - .66" (Early Models)
23	- - - - -	1	Hose .38" ID x .595" OD x 10.25" (Order item 24)(Early Models)
24	32759.1002	-	Hose .38" ID x .595" OD x 120.0" (Use as required)
25	M2568.0000	-	Grease, USDA H-1 (Use when assembling items 10,13,16 & 20)



EARLY MODELS

P2491

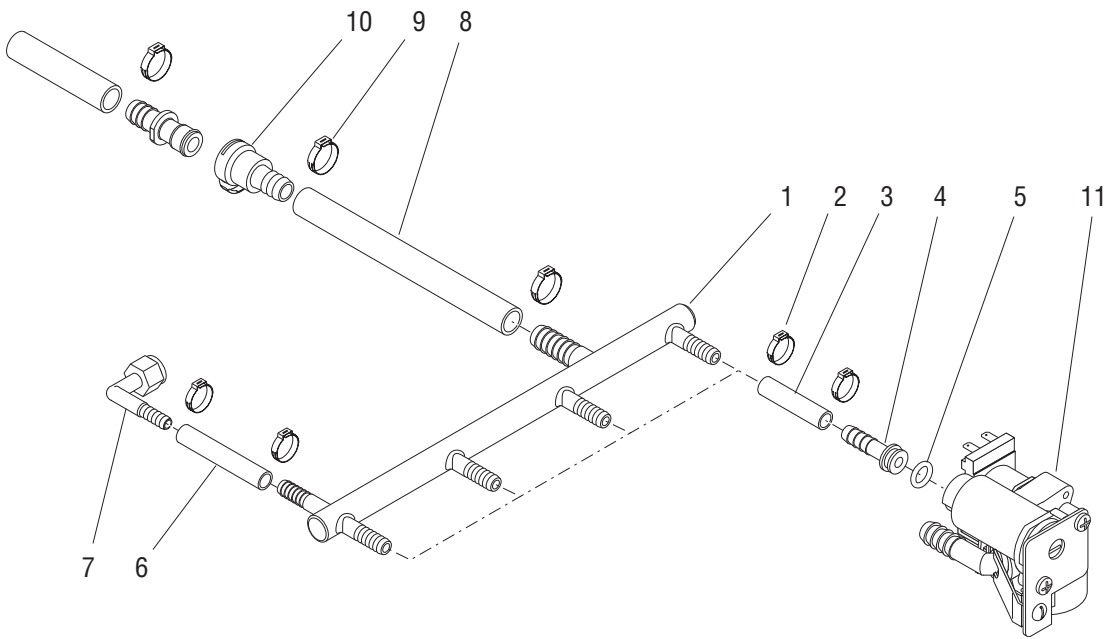


LATE MODELS

P2505

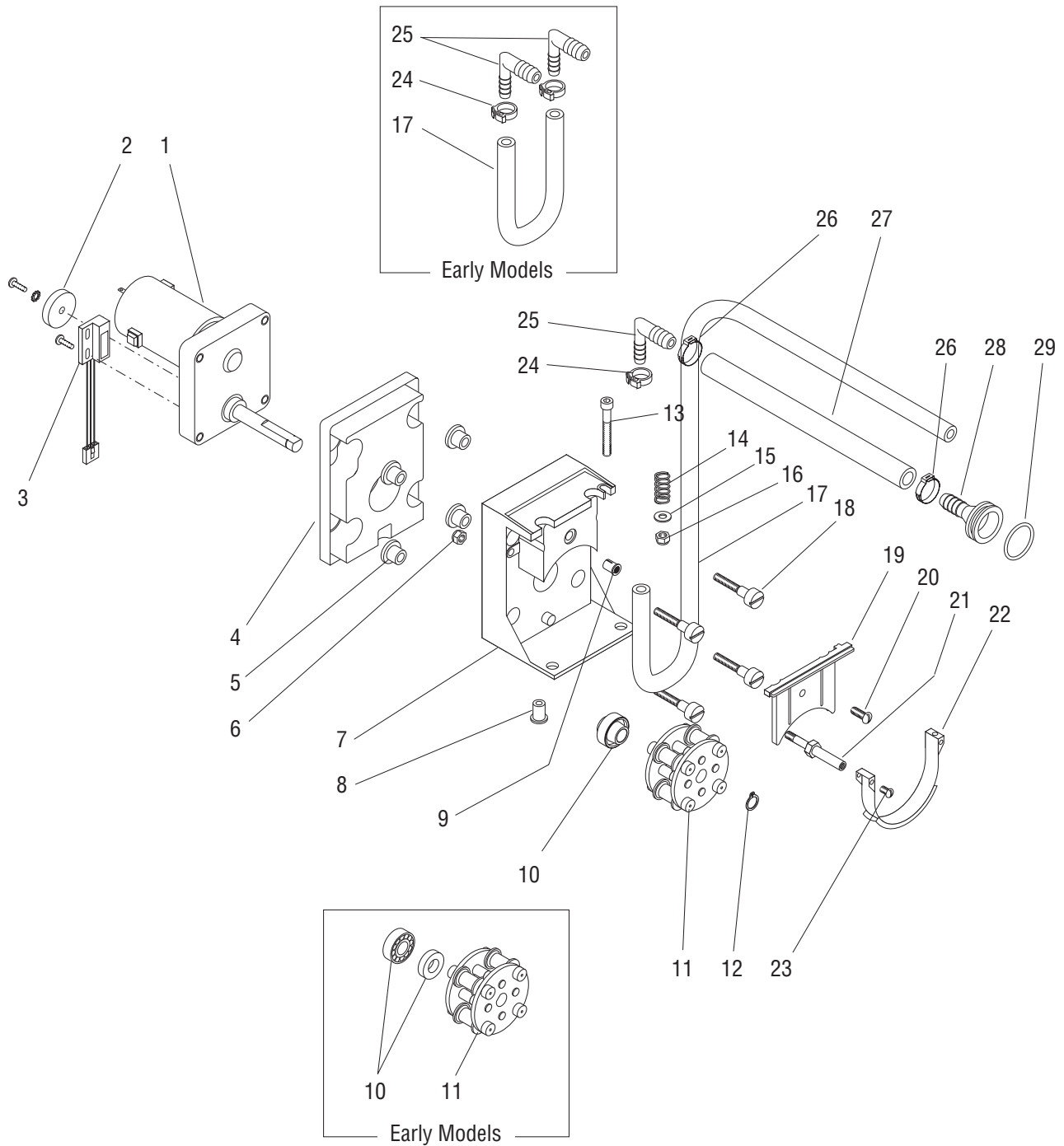
## PLAIN WATER MANIFOLD (EARLY MODELS)

ITEM	PART NO.	QTY.	DESCRIPTION
1	32753.0000	1	Elbow (Early Models)
2	21275.0004	8	Clamp .54 - .64"
3	-----	1	Hose .38" ID x .595" OD x 1.65" (Order item 19)(Early Models)
4	32749.0000	3	Tee (One less used on Early Models)
5	-----	1	Hose .38" ID x .595" OD x 1.5" (Order item 19)(Early Models)
6	-----	2	Hose .38" ID x .595" OD x 2.50" (Order item 19)(Early Models)
7	-----	4	Hose .25" ID x .44" OD x 1.75" (Order item 20)
8	21275.0006	12	Clamp .40 - .50" (Two less used on Late Models)
9	32631.0000	4	Fitting
10	32849.0001	4	O-ring
11	33151.0000	1	Fitting
12	32751.0000	2	Tee (One less used on Late Models)
13	-----	1	Hose .25" ID x .44" OD x 3.25" (Order item 20)(Early Models)
14	00425.0000	1	Fitting (Early Models)
15	-----	1	Hose .25" ID x .44" OD x 3.50" (Order item 20)(Early Models)
16	-----	3	Hose .38" ID x .595" OD x 2.25" (Order item 19)(Late Models)
17	-----	1	Hose .38" ID x .595" OD x 9.25" (Order item 19)(Late Models)
18	33151.0001	1	Fitting (Late Models)
19	32759.1002	-	Hose .38" ID x .595" OD x 120.0" (Use as required)
20	32745.1002	-	Hose .25" ID x .44" OD x 120.0" (Use as required)



## PLAIN WATER MANIFOLD (LATE MODELS)

ITEM	PART NO.	QTY.	DESCRIPTION
1	34423.0000	1	Manifold, SST
2	21275.0006	10	Clamp .40 - .50"
3	-----	4	Hose .25" ID x .44" OD x 1.25" (Order item 13)
4	32631.0000	4	Fitting
5	32849.0001	4	O-ring
6	-----	1	Hose .25" ID x .44" OD x 2.50" (Order item 13)
7	33151.0001	1	Fitting
8	-----	1	Hose .38" ID x .595" OD x 3.50" (Order item 12)
9	21275.0004	2	Clamp .54 - .64"
10	34463.0000	1	Fitting, Quick Disconnect, Female
11	-----	4	Dispense Valve (See DISPENSE VALVE)
12	32759.1002	-	Hose .38" ID x .595" OD x 120.0" (Use as required)
13	32745.1002	-	Hose .25" ID x .44" OD x 120.0" (Use as required)



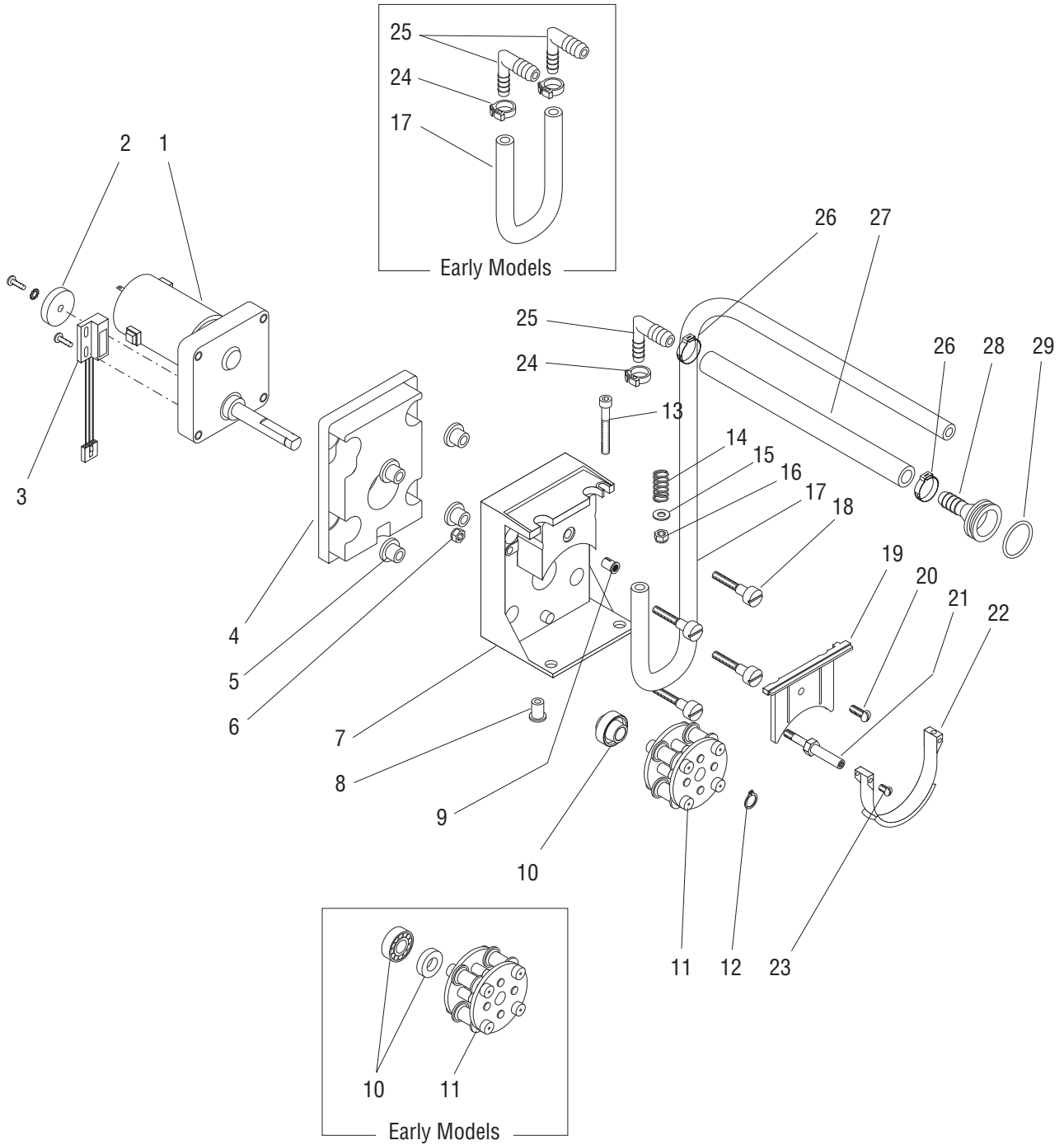


## PUMP ASSEMBLY

ITEM	PART NO.	QTY.	DESCRIPTION
-	33803.0000	1	Pump Assy (Includes items 1 - 29)
1	-----	1	Motor Assy (Refer to item 34)
2	32654.0000	1	Magnet Hub
	01512.0000	1	Lockwasher, Internal-tooth #10
	01331.0004	1	Screw, Locking #10-32 x .50"
3	33608.0000	1	Sensor, RPM
	02336.0000	2	Screw #4-40 x .38"
4	33781.0000	1	Gasket
5	32957.0000	4	Bushing
6	00991.0003	1	Nut, Elastic Lock #10-32
7	33778.1000	1	Mount Assy, Pump (Includes items 8,9 & 10)
8	29904.0000	1	Insert, Well Nut #8-32
9	-----	1	Insert, Threaded #10-32
10	-----	1	Bearing & Spacer (Early Models)
	33825.0000	1	Bearing, Sleeve (Late Models)
11	32706.1000	1	Rotor
12	32652.0000	1	Retaining Ring
13	33295.0000	1	Screw, Socket Head #10-32 x 1.75"
14	23918.0001	1	Spring
15	01522.0000	1	Washer
16	00991.0003	1	Nut, Elastic Lock #10-32
17	-----	1	Tube, Neoprene .25" ID x .45" OD x 9.00" (Order item 32 & 33)(Early Models)
	-----	1	Tube, Neoprene .25" ID x .45" OD x 21.00" (Order item 32 & 33)(Late Models)
18	32927.0000	4	Bolt, Shoulder #10-32
19	33779.0000	1	Retainer
20	01331.0000	1	Screw #10-32 x .50"
21	32609.0000	1	Standoff, Pump Band
22	33780.0000	1	Compression Band
23	01311.0001	1	Screw, Locking #8-32 x .25"
24	32732.0000	2	Clamp (One less used on Late Models)
25	32656.0000	2	Fitting, Elbow (One less used on Late Models)
26	21275.0004	2	Clamp .54 - .64" (Early Models)

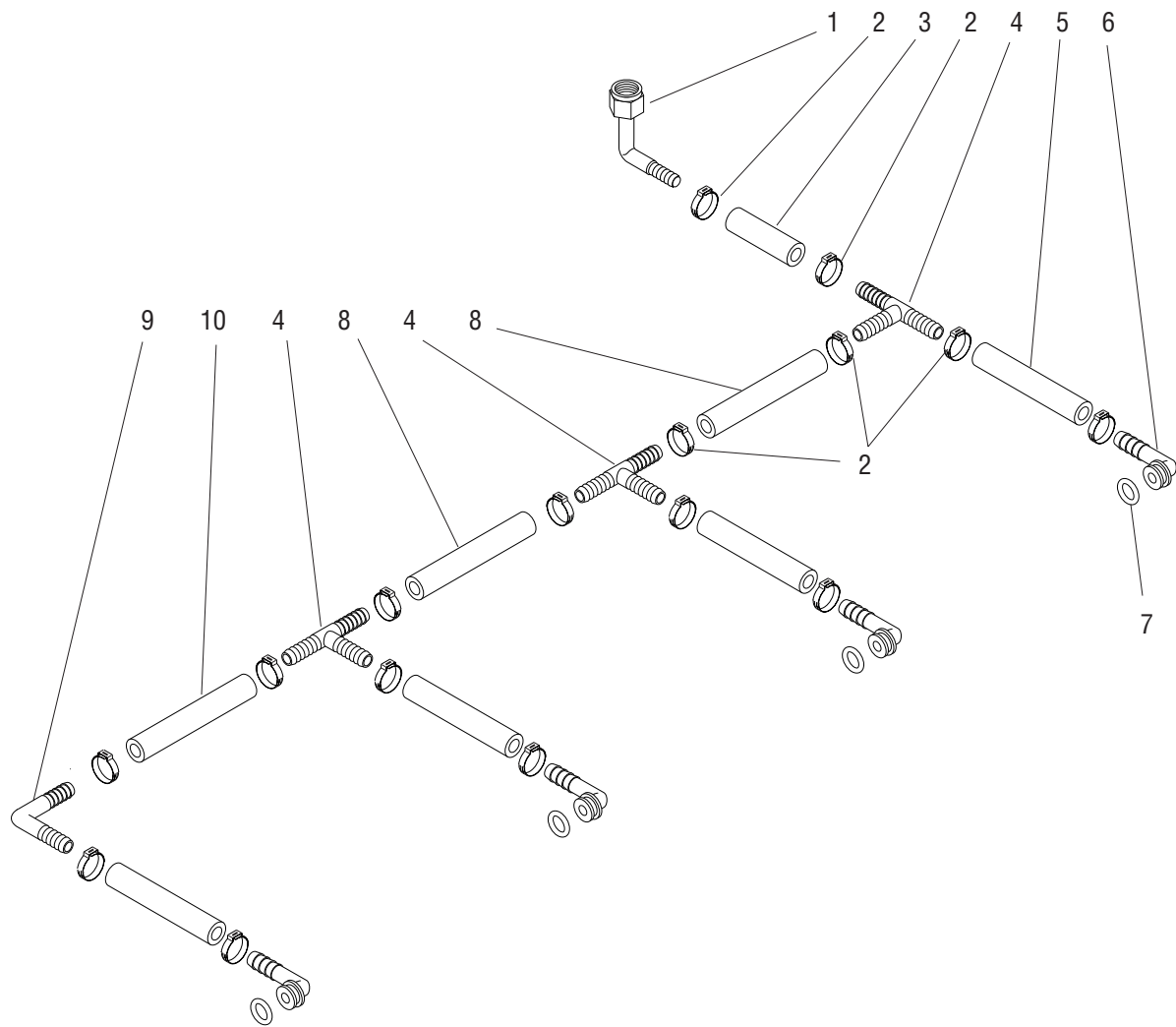
(Continued)

(Continued)



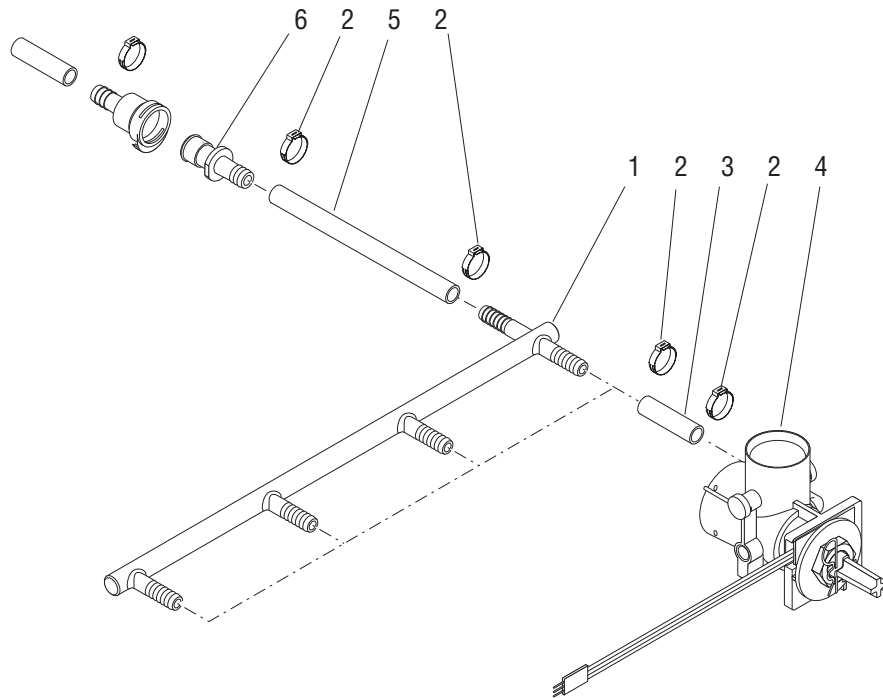
## PUMP ASSEMBLY

ITEM	PART NO.	QTY.	DESCRIPTION
27	-----	1	Hose .38" ID x .595" OD x 7.25" (Order item 31)(Early Models)
	34325.0000	1	Hose .38" ID x .595" OD x 7.25" (Order item 31)(Late Models)
28	32454.0000	1	Fitting, Bottle Adapter
29	34087.0000	1	O-ring (Also use item 30)
30	M2568.0000	-	Lubricant (Use when installing item 29)
31	32759.1002	-	Hose .38" ID x .595" OD x 120.0" (Use as required)
32	28755.1000	-	Tube, Neoprene .25" ID x .45" OD x 12.0" (Use as required)
	28755.1001	-	Tube, Neoprene .25" ID x .45" OD x 36.0" (Use as required)
	28755.1002	-	Tube, Neoprene .25" ID x .45" OD x 60.0" (Use as required)
33	M2548.1000	-	Grease, Krytox .50 oz. (Apply to outside of tube only. Use as required)
34	33744.0000	-	Motor Replacement Kit (Includes items 1,2,3 and mounting hardware)



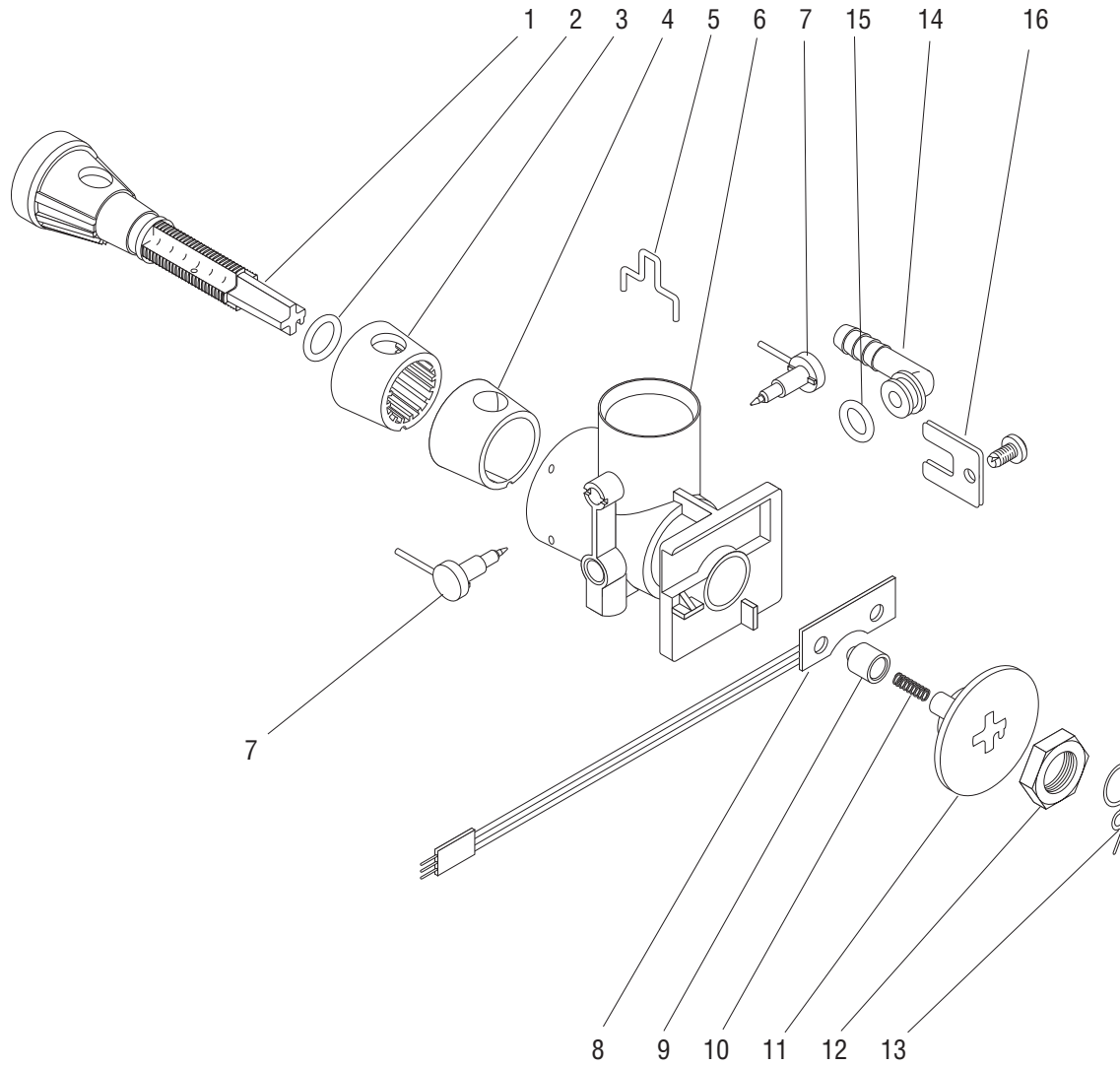
## RINSE WATER MANIFOLD (EARLY MODELS)

ITEM	PART NO.	QTY.	DESCRIPTION
1	33151.0001	1	Fitting, Elbow
2	21275.0006	16	Clamp .40 - .50"
3	-----	1	Hose .25" ID x .44" OD x 1.50" (Order item 11)(Early Models)
	-----	1	Hose .25" ID x .44" OD x 4.00" (Order item 11)(Late Models)
4	32760.0000	3	Tee
5	-----	4	Hose .25" ID x .44" OD x 2.50" (Order item 11)
6	-----	4	Fitting, Elbow (See BOTTLE ADAPTER)
7	-----	4	O-ring (See BOTTLE ADAPTER)
8	-----	2	Hose .25" ID x .44" OD x 3.0" (Order item 11)
9	32761.0000	1	Elbow
10	-----	1	Hose .25" ID x .44" OD x 2.75" (Order item 11)(Early Models)
	-----	1	Hose .25" ID x .44" OD x 3.00" (Order item 11)(Late Models)
11	32745.1002	-	Hose .25" ID x .44" OD x 120.0" (Use as required)



## RINSE WATER MANIFOLD (LATE MODELS)

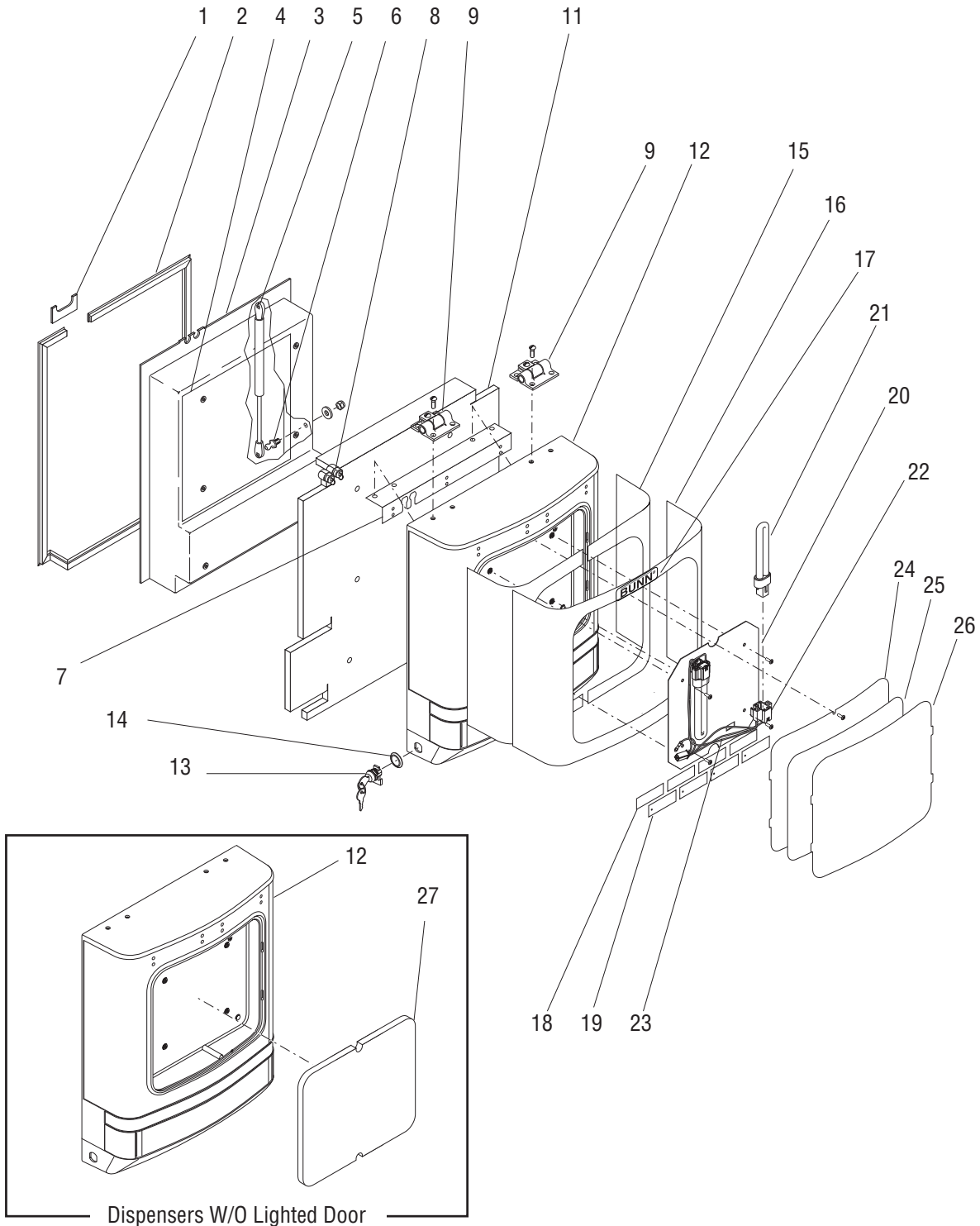
ITEM	PART NO.	QTY.	DESCRIPTION
1	34424.0000	1	Manifold, SST
2	21275.0006	10	Clamp .40 - .50"
3	-----	4	Hose .25" ID x .44" OD x 1.25" (Order item 13)
4	-----	4	Bottle Adapter (See BOTTLE ADAPTER)
5	-----	1	Hose .25" ID x .44" OD x 3.50" (Order item 13)
6	34460.0000	1	Fitting, Quick Disconnect, Male
7	32745.1002	-	Hose .25" ID x .44" OD x 120.0" (Use as required)





## BOTTLE ADAPTER ASSEMBLY

ITEM	PART NO.	QTY.	DESCRIPTION
-	32756.0000	1	Adapter Assy, Bottle (Includes items 1 - 16)
1	32456.0000	1	Spool
2	36301.0000	1	O-ring
3	32625.0000	1	Seal, Rotary
4	33515.0000	1	Boot, Teflon (Also order item 17)
5	-----	1	Opener (Order item 6)
6	32453.1000	1	Body Assy. (Includes items 5 & 7)
7	-----	2	Probe (Order item 6)
8	34032.1000	1	Switch, Membrane
9	32663.0000	1	Detent, Membrane Switch
10	33042.0000	1	Spring
11	32469.0000	1	Plate, Detent
12	00942.0002	1	Nut, Brass w/Tin Plate .50-20"
13	21358.0000	1	Clip, Retainer
14	32463.0000	1	Fitting, Elbow
15	32849.0001	1	O-ring (Also order item 17)
16	32846.0000	1	Plate
	01326.0004	1	Screw
17	M2568.0000	-	Grease, USDA H-1 (Use when installing items 4 & 15)

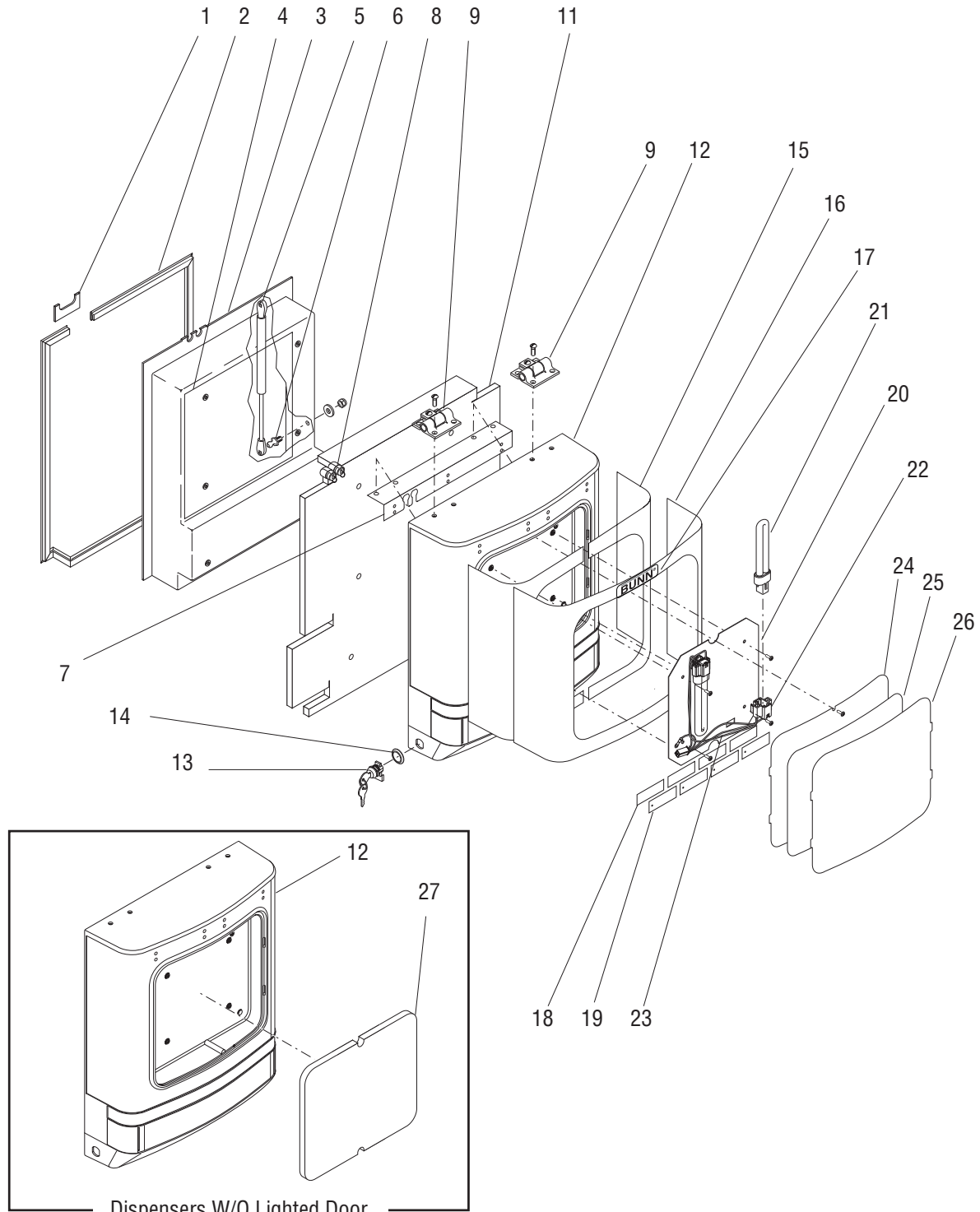


## DOOR ASSEMBLY

ITEM	PART NO.	QTY.	DESCRIPTION
-	33818.1000	1	Door Assy. 120V, Lited, Pushbutton (Incl. items 1 - 29 & Membrane Switch)
	33818.1002	1	Door Assy. 120V, Lited, Portion Control (Incl. items 1 - 29 & Membrane Switch)
	33818.1001	1	Door Assy. 120V, Unlited, Pushbutton (Incl. items 1 - 29 & Membrane Switch)
	33818.1003	1	Door Assy. 120V, Unlited, Portion Control (Incl. items 1 - 29 & Membrane Switch)
	33818.1004	1	Door Assy. 120V, Lited, Pushbutton (Incl. items 1-17,20-29 & Membrane Switch)
	33818.1005	1	Door Assy. 120V, Lited, Portion Control (Incl. items 1-17,20-29 & Membr. Switch)
	33818.1006	1	Door Assy. 230V, Lited, Pushbutton (Incl. items 1 - 29 & Membrane Switch)
	33818.1007	1	Door Assy. 230V, Lited, Portion Control (Incl. items 1 - 29 & Membrane Switch)
	33818.1008	1	Door Assy. 230V, Unlited, Pushbutton (Incl. items 1 - 29 & Membrane Switch)
	33818.1009	1	Door Assy. 230V, Unlited, Portion Control (Incl. items 1 - 29 & Membrane Switch)
1	32620.0001	1	Gasket
2	33871.0000	1	Gasket
3	33793.0000	1	Panel, Inside
	24544.0000	8	Screw #8-18
4	33463.0000	1	Decal, Brixing & Cleaning
5	33111.0000	1	Gas Spring
6	33108.0000	1	Stud, Ball
	21365.0000	1	Washer
	00987.0000	1	Nut, Elastic Lock .312"-18
7	33819.0000	1	Angle, Hinge
	24544.0000	8	Screw #8-18
8	00707.0001	2	Bushing, Strain Relief
9	32812.0000	2	Hinge
	33045.0000	8	Screw, BLK .25"-20 x .75"
10	33864.0001	1	Insulation, Top (Early Models)
11	33864.0000	1	Insulation
12	33777.0000	1	Cover, Front
13	32863.0000	1	Keylock w/Keys
14	33895.0000	1	Collar, Lock
15	33812.0000	2	Pad, Adhesive, Left & Right
16	33870.0000	1	Cover
17	33597.0000	1	Decal "BUNN"
18	32819.0000	4	Strip, Adhesive
19	33704.0001	4	Flavor Strips

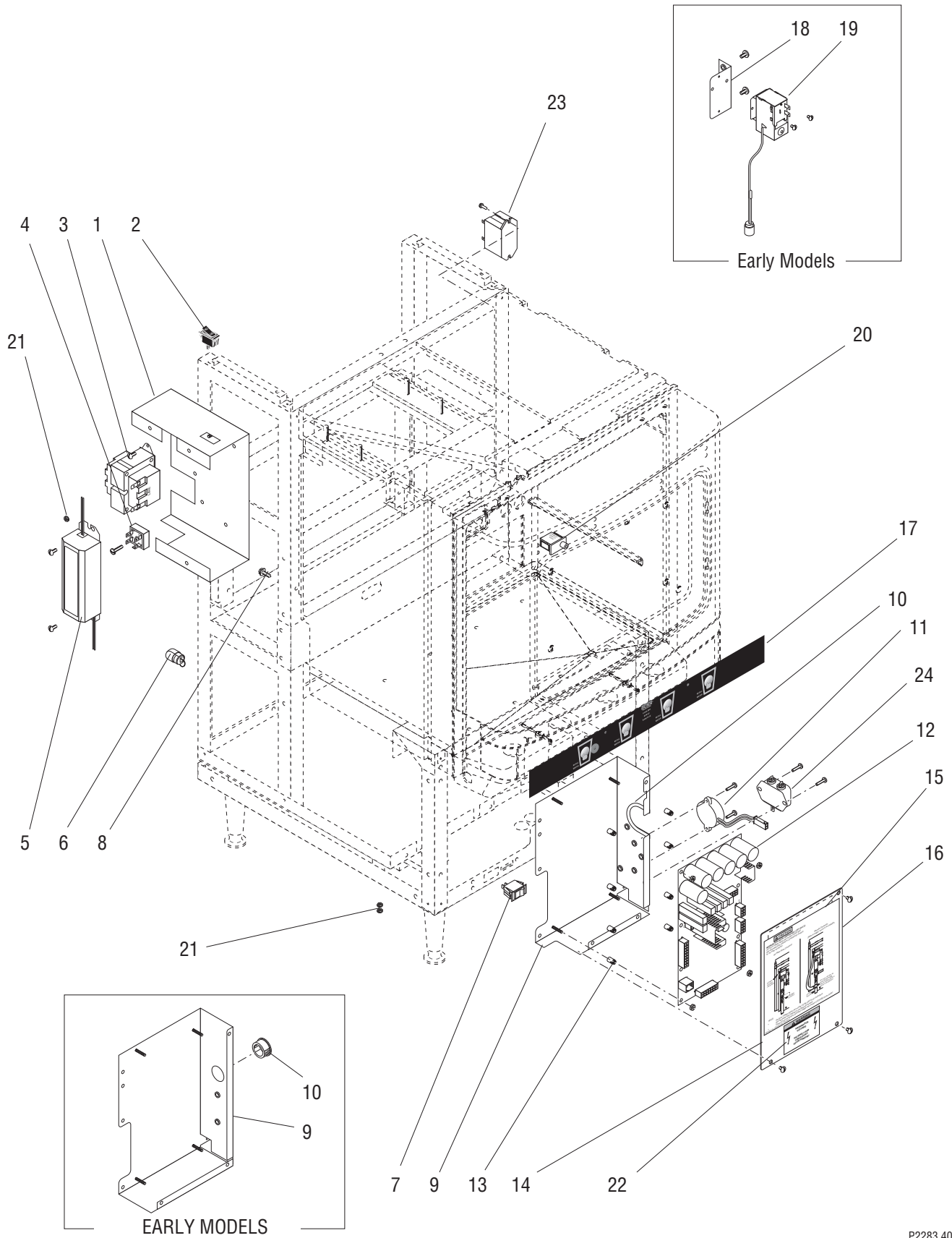
(Continued)

(Continued)



## DOOR ASSEMBLY

ITEM	PART NO.	QTY.	DESCRIPTION	
20	33899.0000	1	Panel, Reflector	} Dispensers with lighted door only
	24544.0000	4	Screw #8-18	
21	32806.0000	2	Lamp	
22	32807.0001	2	Holder, Lamp	
23	33208.0000	1	Wiring Harness 120V	} Not Illustrated
	33208.0001	1	Wiring Harness 230V	
24	33869.0000	1	Lens, Fixed	
25	-----	1	Graphics, Merchandiser (Not serviced)	
26	33868.0000	1	Lens, Removable	
27	34019.0000	1	Foam, Insulation (Dispensers w/Non Lighted Door)	
28	32808.0001	1	Wiring Harness, Door Light 120V	} Not Illustrated
	32808.0002	1	Wiring Harness, Door Light 230V	
29	33046.0001	1	Wiring Harness, Touch Pad	
30	32861.0000	1	Decal, Flavors (Grapefruit Juice, Apple Juice, Orange Passion Fruit Guava Cocktail, Prune Juice, Orange Juice, Grape Juice, Raspberry Lemonade, Orange Juice Plus Calcium & Vitamin C, Lemonade, Cranberry Juice Cocktail, Fruit Punch, Strawberry Kiwi, Raspberry Flavored Blend, Peach Flavored Blend, Pineapple Juice & Iced Tea)	



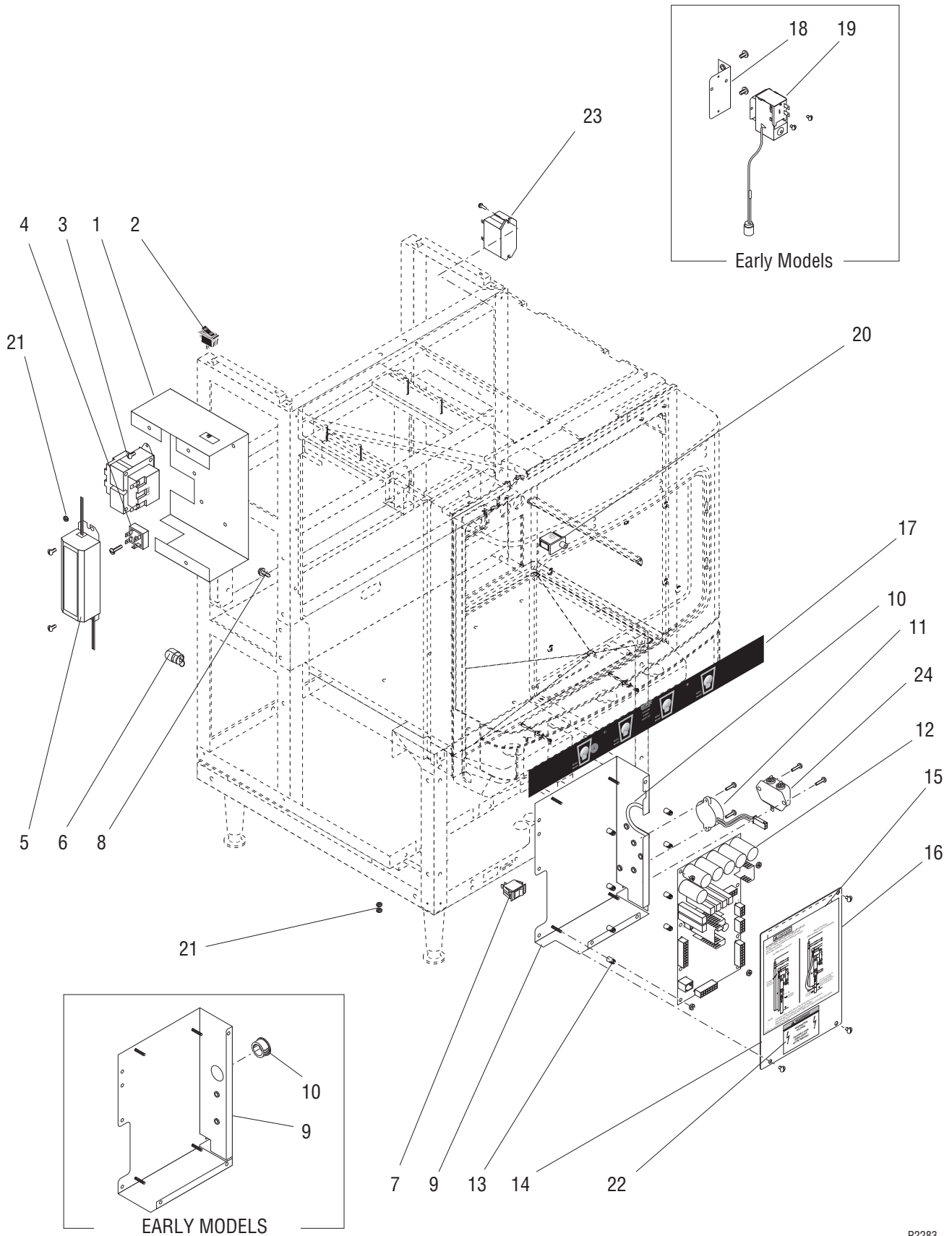
## ELECTRICAL COMPONENTS

ITEM	PART NO.	QTY.	DESCRIPTION
1	33823.0000	1	Bracket
	01315.0000	3	Screw #8-32 x .38"
2	04786.0004	1	Switch, Refrigeration ON/OFF
3	32824.0001	1	Transformer 120V
	32824.0002	1	Transformer 230V
	01315.0000	2	Screw #8-32 x .38"
4	22126.0000	1	Rectifier
	01370.0000	1	Screw #8-32 x .75"
5	33261.0000	1	Ballast 120V (Dispensers with lighted door only)
	28327.0001	1	Ballast 230V (Dispensers with lighted door only)
	01315.0000	2	Screw #8-32 x .38"
6	00707.0000	1	Bushing, Strain Relief
7	01063.0000	1	Switch, Sanitize
8	01309.0000	1	Screw, Grounding
9	-----	1	Bracket (Early Models. Order Late Model Bracket)
	32585.0000	1	Bracket (Late Models)
	01311.0000	3	Screw #8-32 x .25"
10	01592.0000	1	Bushing (Early Models)
	-----	1	Gasket, U-channel 4.60" (Late Models)(Order item 29)
11	33147.0000	1	Indicator, Audio
	01382.0000	2	Screw #6-32 x .38"
12	32673.1001	1	PC Board
	00973.0000	4	Nut, Keps #6-32
13	29081.0000	8	Spacer
14	33145.1001	1	Cover Assy (Includes items 15, 16 & 22)
	01311.0000	3	Screw #8-32 x .25"
15	33647.0000	1	Decal, Dip Switch
16	34054.0000	1	Decal, Plumbing
17	33785.0000	1	Switch, Membrane (Push Button models)
	33838.0000	1	Switch, Membrane (Portion Control models)
18	32866.0000	1	Bracket
	02331.0000	2	Screw #10-32 x .38"
19	32826.0000	1	Ice Bank Control
	01308.0002	2	Screw, Locking #6-32 x .25"
20	32841.0000	1	Switch, Door Open
21	00970.0000	3	Nut, Grounding

} Early Models

(Continued)

(Continued)



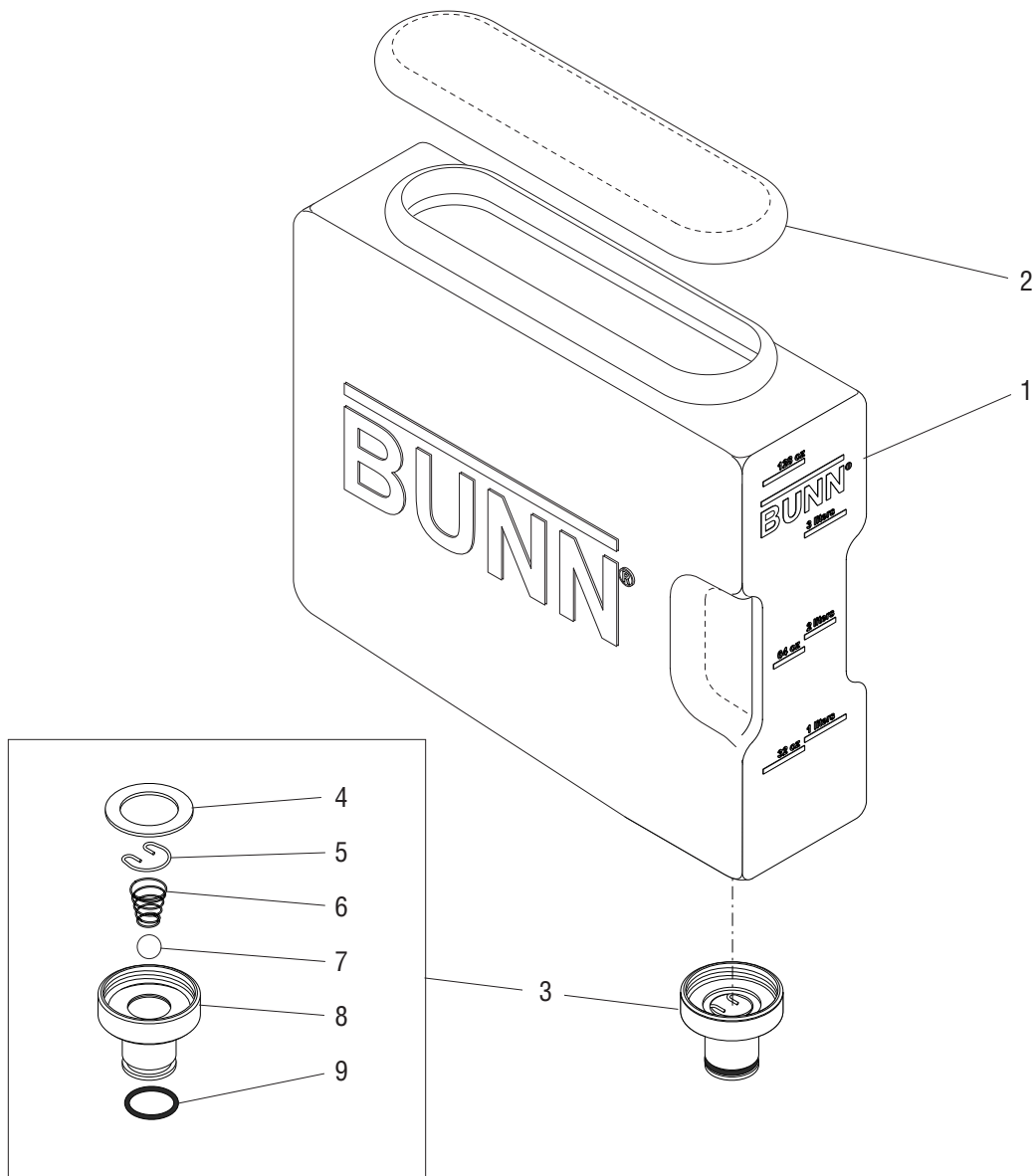


## ELECTRICAL COMPONENTS

ITEM	PART NO.	QTY.	DESCRIPTION	
22	12559.0003	1	Decal, Warning - Hazardous Voltage	
23	37711.0000	1	Relay 120V	} Late Models
	37711.0001	1	Relay 230V	
	01315.0000	2	Screw, Truss Head #8-32 x .38"	
24	29446.0000	1	EMI Filter (230V Models only)	
	01315.0000	2	Screw, Truss Head #8-32 x 38"	

The following items are not illustrated:

23	20630.0007	1	Power Cord 120V
	27728.0009	1	Power Cord 230V
24	33096.0001	1	Wiring Harness, Main 120V
	33096.0002	1	Wiring Harness, Main 230V
25	33101.0000	1	Wiring Harness, Compressor
26	33547.0000	1	Wiring Harness, Water Bath
27	33115.0000	1	Wiring Harness, Cabinet Fan
28	00617.0000	-	Wire Tie (Use as required)
29	02434.1000	-	Gasket, 18.0" U-channel (Late Models)(Use as required)



## REFILLABLE CONTAINER ASSEMBLY

ITEM	PART NO.	QTY.	DESCRIPTION
-	33931.0000	1	Container Assy (Includes items 1-9)
1	32167.0000	1	Container w/Lid (Includes item 2)
2	-----	1	Lid (Order item 1)
3	33953.1000	1	Fitting Assy (Includes items 4-9)
4	32165.0000	1	Gasket
5	32166.0000	1	Retaining Clip
6	32877.0000	1	Spring
7	00598.0002	1	Ball
8	32168.0000	1	Fitting
9	33725.0001	1	O-ring

## NUMERICAL INDEX

PART NO.	PAGE NO.	PART NO.	PAGE NO.	PART NO.	PAGE NO.	PART NO.	PAGE NO.
00402.0001	15	02331.0000	55	28005.0000	15	32621.0000	7
00406.0001	27	02331.0001	5	28020.0000	15	32622.0000	35
00425.0000	37	02332.0002	19,21	28021.0000	15	32623.0000	35
00441.0000	17	02336.0000	41	28062.0000	33	32624.0000	35
00443.0001	31	02434.1000	5,9,57	28327.0001	55	32625.0000	49
00450.0000	15	02536.0000	11	28479.0000	15	32631.0000	37,39
00456.0001	27	02645.1000	11	28480.0000	15	32635.0000	5
00465.0001	31	03271.1002	9	28481.0000	15,27,31,35	32652.0000	41
00510.0001	17	03271.1003	9	28526.1000	29,33	32654.0000	41
00510.0002	17	03996.0000	5	28567.0000	19	32655.0000	35
00598.0002	59	04623.0001	27	28755.1000	43	32656.0000	11,41
00617.0000	11,57	04786.0004	55	28755.1001	43	32663.0000	49
00619.0003	9	11707.1000	17,29,33	28755.1002	43	32673.1001	55
00656.0000	15	11707.1001	17	29081.0000	55	32706.1000	41
00668.0000	5	11707.1002	17	29327.0000	11	32732.0000	41
00669.0000	7	12422.0005	13	29446.0000	55	32734.0000	11
00669.0002	9	12559.0003	57	29904.0000	41	32734.0001	11
00707.0000	55	12570.0000	11	29985.0000	11	32745.1002	17,37,39,45,47
00707.0001	51	13255.0003	5	29988.0000	11	32749.0000	37
00908.0000	11	20201.4301	31	29988.0001	11	32751.0000	37
00929.0001	27	20203.0100	11	29988.0002	11	32753.0000	37
00942.0002	49	20581.0000	31	32008.0000	31	32755.0000	35
00970.0000	55	20630.0007	57	32165.0000	59	32756.0000	49
00973.0000	55	20777.0001	29	32166.0000	59	32757.0000	27,31
00986.0002	5	21166.0001	17	32167.1000	5,59	32759.1002	13,17,29,33
00987.0000	51	21275.0003	15,35	32168.0000	59	32759.1002	35,37,39,43
00991.0000	29,31	21275.0004	9,13,27,31	32169.0001	19	32760.0000	45
00991.0003	41	21275.0004	37,39,41	32170.0000	17	32761.0000	45
01063.0000	55	21275.0006	11,15,37	32174.0000	19	32763.0000	7
01085.0002	15	21275.0006	39,45,47	32176.0000	19	32776.0001	19
01111.0002	15,27,31,35	21358.0000	49	32204.0000	21	32777.0000	19
01308.0000	35	21365.0000	51	32204.0003	21	32778.0000	23
01308.0002	27,55	21431.0003	19	32252.0000	35	32778.0001	25
01309.0000	55	21436.0000	5	32307.0000	7	32806.0000	53
01311.0000	15,19,55	21634.0002	27,31	32360.0002	15	32807.0001	53
01311.0001	27,31,41	22126.0000	55	32378.0000	11	32808.0001	53
01315.0000	5,7,55,57	22397.0001	27,31	32444.0000	11	32808.0002	53
01317.0000	11	23700.0000	19	32448.1000	7	32812.0000	51
01326.0002	27,31	23720.1000	11	32453.1000	49	32819.0000	51
01326.0004	5,7,13,49	23721.0000	11	32454.0000	43	32824.0001	55
01326.0006	15	23723.0000	11	32455.0000	9	32824.0002	55
01327.0000	15	23918.0001	41	32456.0000	49	32826.0000	55
01331.0000	41	24374.0000	13	32458.0000	29,33	32837.1000	11
01331.0004	41	24544.0000	7,51,53	32461.0000	7	32841.0000	55
01338.0000	29,33	26528.0000	5	32463.0000	49	32846.0000	29,49
01345.0000	7	27170.0002	29,31	32467.1000	7	32848.0000	7
01359.0000	7	27243.0000	21	32469.0000	49	32849.0001	9,35,37,39,49
01364.0000	31	27246.0000	9	32583.0000	11	32851.0000	35
01370.0000	55	27257.0000	21	32585.0000	55	32852.0000	35
01382.0000	7,55	27258.0000	21	32587.0002	15	32853.0000	35
01501.0000	11	27354.0000	5	32602.0000	35	32855.0000	35
01502.0000	15	27394.0000	9	32603.0000	35	32856.0000	35
01512.0000	41	27410.0000	15	32609.0000	41	32857.0000	27,31
01522.0000	29,33,41	27442.0000	5	32616.1000	11	32858.0000	7
01592.0000	55	27728.0009	57	32620.0001	51	32860.0000	27,29,31,33,35

## NUMERICAL INDEX

PART NO.	PAGE NO.	PART NO.	PAGE NO.	PART NO.	PAGE NO.	PART NO.	PAGE NO.
32861.0000	53	33457.0000	9	33785.0000	55	34249.0002	13
32863.0000	51	33458.0000	5	33786.0000	7	34325.0000	43
32866.0000	55	33459.0001	7	33793.0000	51	34423.0000	39
32877.0000	59	33459.0002	7	33794.0000	7	34424.0000	47
32927.0000	41	33460.0000	5	33795.0000	5	34460.0000	47
32948.1000	9	33461.0000	5	33801.0002	11	34461.0000	33
32951.0000	27	33462.0000	15	33803.0000	41	34462.0000	31
32957.0000	41	33462.0001	15	33804.0000	7	34463.0000	39
32957.0001	27,31	33462.0002	9	33805.0000	5	34540.0000	17
33042.0000	49	33462.0003	9	33808.0000	15	35108.0000	7
33045.0000	51	33462.0004	9	33810.0000	5	35292.0000	25
33046.0001	53	33463.0000	51	33811.0000	5	35293.0000	25
33050.0000	11	33466.0000	17	33812.0000	51	35294.0000	25
33051.0000	7	33467.0000	17	33813.0000	5	35295.0000	25
33052.0000	7	33499.0000	13	33814.1000	5	35338.1000	7
33053.0000	7	33511.0000	7	33816.0000	7	36134.1001	5
33067.0001	13	33515.0000	49	33817.0000	7	36137.1001	5
33068.0000	13	33547.0000	57	33818.1000	51	36301.0000	49
33096.0001	57	33553.0000	35	33818.1001	51	37711.0000	57
33096.0002	57	33554.0000	35	33818.1002	51	37711.0001	57
33101.0000	57	33580.0000	35	33818.1003	51	M2316.1000	19
33108.0000	51	33582.0000	27,31	33818.1004	51	M2332.1000	19
33111.0000	51	33585.0000	35	33818.1005	51	M2548.1000	43
33113.0000	17	33597.0000	51	33818.1006	51	M2568.0000	9,35,43,49
33114.0000	17	33601.0000	21	33818.1007	51		
33115.0000	57	33602.0000	21	33818.1008	51		
33140.0001	29,33	33603.0000	21	33818.1009	51		
33145.1001	55	33603.0001	21	33819.0000	51		
33147.0000	55	33608.0000	41	33821.0000	5		
33148.0000	27	33623.0000	13	33823.0000	55		
33148.0001	27	33645.0000	15	33825.0000	41		
33149.0000	11,17,29	33646.0000	15	33838.0000	55		
33149.0001	13,15,27,31	33647.0000	55	33856.1000	19		
33150.0000	9,13,17	33685.0000	13	33857.0000	7		
33151.0000	15,37	33686.0000	9,13,17	33860.1000	5		
33151.0001	15,37,39,45	33704.0001	51	33861.0000	5		
33152.0000	15	33707.0000	13	33861.0001	5		
33153.0000	15	33725.0000	35	33864.0000	51		
33155.0000	35	33725.0001	59	33864.0001	51		
33180.0000	29,22	33744.0000	43	33868.0000	53		
33208.0000	53	33754.0000	23,25	33869.0000	53		
33208.0001	53	33755.0000	23,25	33870.0000	51		
33224.0000	11	33756.0000	23,25	33871.0000	51		
33225.1000	11	33757.0000	23,25	33895.0000	51		
33261.0000	55	33758.0000	23	33897.0001	19		
33263.0000	13	33759.0000	23	33898.0001	19		
33295.0000	41	33762.0000	23,25	33899.0000	53		
33297.0000	7	33774.0000	29	33931.0000	59		
33299.0000	13,27	33777.0000	51	33953.1000	59		
33323.1000	11	33778.1000	41	34016.1000	19		
33328.0000	13	33779.0000	41	34019.0000	53		
33328.0001	13	33780.0000	41	34032.1000	49		
33376.0000	5	33781.0000	41	34054.0000	55		
33376.0001	5	33782.1000	31	34086.0000	17		
33339.0001	11	33783.0000	27,31	34087.0000	43		