



BC-AU-BS-179-BK



SOUNDBOX

WIRELESS SPEAKER

Notice

Please read user manual carefully and keep it for your records.

Package includes:

- 1-Bluetooth® speaker
- 1-USB to Micro cable
- 1-User Manual

Safety instructions

- Do not disassemble, throw away or damage this Product. Consult your local waste collection agency for proper disposal or recycling methods. You may also go online at www.call2recycle.org for a battery recycling drop off location near you.
- This product is not a toy. Use extra caution while children are using this product.
- Keep the wireless Speaker away from direct sunlight, fire and high voltage equipment. Do not store the Wireless Speaker inside a car during hot weather. Remember, a closed car acts as a greenhouse allowing the inside temperature to possibly reach over 200 degrees.
- Device may become warm while charging.
- Be assured to turn product completely off when plugging and unplugging into outlet.
- Damage, shock, and/or injury can occur if this warning is not heeded properly.

Functions:

Turn on the power: Pull the on/off key and the LED lights up to indicate that the device is turned on.

Power off: Pull on/off key, LED light off, indicating that the device is off.

FM RADIO: Press the mode switch button to enter the "FM Radio" function.

USB PORT:

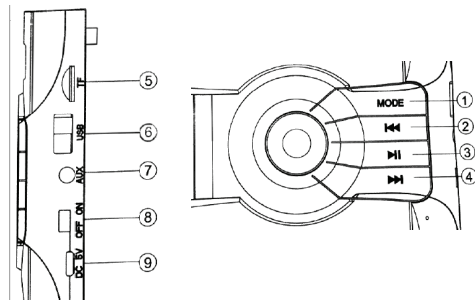
Insert the USB drive into the USB slot for music playback.

MEMORY CARD:

Insert the Micro SD memory card into the Memory Card slot for music playback

Pairing:

- To turn on the speaker, switch the ON/OFF button to the ON position in the back of the speaker. To turn off the speaker, switch the ON/OFF button to the OFF position.
- When you turn on the device, you'll hear a clear sound. Activate the Bluetooth feature on the phone and set the phone to search for wireless devices. (The speaker will show on your device as BC-BS-179).



1. Mode Power
2. Prev/Vol-
3. Play/Pause
4. Next/Vol+
5. Memory Card
6. USB Port for USB Drive
7. Aux
8. DC-5V

- Compatible with most Bluetooth® enabled tablets and smart phones.

Specifications

- Bluetooth® Version: 5.0
- Input: 5V
- Output Power: 5W (2.5W x 2)
- Battery: 3.7V Built-in Li-ion
- Speaker Driver: 4" x 2"
- Playing Time: up to 1.5 hours
- Charge Time: up to 2 hours
- Talk Time: up to 1 hour
- Operating Range: 33 feet (10m)
- With FM, USB, TF, BT
- Color Changing Lights

FCC Statement

Note: This equipment has been tested and found to comply with the limits for a Class B digital device, pursuant to part 15 of the FCC Rules. These limits are designed to provide reasonable protection against harmful interference in a residential installation. This equipment generates, uses and can radiate radio frequency energy and, if not installed and used in accordance with the instructions, may cause harmful interference to radio communications. However, there is no guarantee that interference will not occur in a particular installation. If this equipment does cause harmful interference to radio or television reception, which can be determined by turning the equipment off and on, the user is encouraged to try to correct the interference by one or more of the following measures:

- Reorient or relocate the receiving antenna.
- Increase the separation between the equipment and receiver.
- Connect the equipment into an outlet on a circuit different from that to which the receiver is connected.
- Consult the dealer or an experienced radio/TV technician for help.

This device complies with part 15 of the FCC Rules. Operation is subject to the following two conditions: (1) This device may not cause harmful interference, and (2) this device must accept any interference received, including interference that may cause undesired operation.

Caution: Any changes or modifications not expressly approved could void the user's authority to operate the equipment.

BICONIC

Bytech NY INC, warrants this product to be free from defects in materials and workmanship to the original purchaser for a period of 12 months from the original purchase date. Bytech's responsibility with regard to this limited warranty shall be limited solely to repair or replacement as its option, of any product which fails during normal consumer use. This warranty does not extend to damage or failure which results from misuse, neglect, accident, alteration, abuse, improper installation or maintenance. At any time during the 12 month period following the purchase, the product fails due to defects in material or workmanship, return the defective product (with freight prepaid) with proof of purchase. Please include \$5.00 for return shipping and handling.

WWW.BYTECHINTL.COM

Bytech NY Inc,
2585 West 13street
Brooklyn NY 11223
(718) 449-3700

©2019 BYTECH NY INC.

*All trademarks and copyrights are the property of the respective companies.