

C. CRANE

CC SKYWAVE™



INSTRUCTION MANUAL

PLEASE READ ALL THE INSTRUCTIONS COMPLETELY
BEFORE USE AND SAVE THIS MANUAL FOR FUTURE REFERENCE

Revision 2-2/2015

Introduction/ Safety Instructions

Introduction

The CC Skywave™ radio uses the latest in digital chip technology along with our own techniques developed at C. Crane. This new travel radio is a travel essential for two big reasons. The cost of using data on your smart phone overseas is prohibitive for most people and you can listen to airport departure and approach including your pilot to find out what is going on when nobody else knows.

The AM/FM, Shortwave and the Aviation band gives you information and insight into the country you are visiting. Small and lightweight but with high quality reception and features. Easy button navigation makes it a superior companion for night time listening at home or abroad. If you have any question about your radio, please give us a call or check out ccrane.com

READ BEFORE OPERATING EQUIPMENT - SAVE THESE INSTRUCTIONS

1. Read and understand all safety and operating instructions before the radio is operated.
2. Heat: Never put the radio in direct sunlight in an unventilated area or behind glass like a car's interior. The appliance should be away from heat sources such as radiators, heat registers, stoves, or other appliances that produce heat.
3. If the radio is left unattended and unused for long periods of time, remove the batteries. The batteries may leak and damage furniture or your radio.
4. The user should not attempt to service the appliance beyond that described in the operating instructions.
5. All other servicing should be referred to qualified service personnel.

WARNING: DO NOT CHARGE ALKALINE BATTERIES. Use only the recommended power adapter that we supply for recharging NiMh batteries.

For your future reference:

Serial No. _____

(Found inside battery compartment)

Date of purchase _____

Name & address of dealer _____

Unpacking

The box should contain the CC Skywave, CC Buds earphones, carry case, warranty card, and this manual. If anything is missing or damaged, please contact your dealer immediately. We recommend you keep the packaging in the unlikely event your radio will need servicing.

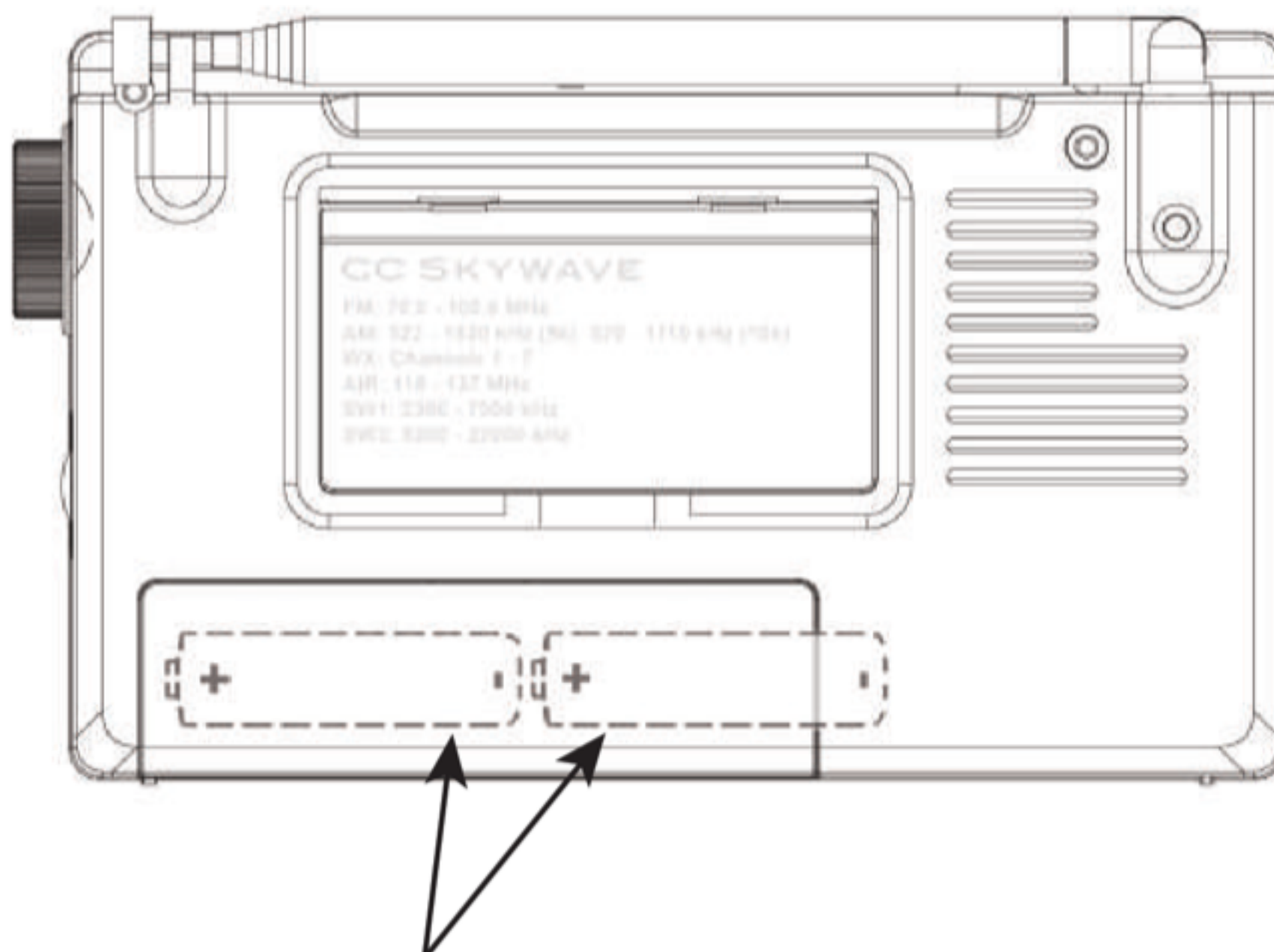
Table of Contents

Installing the Batteries	5
Display Screen Identification	6
Powering the Radio	7
Setting the Sleptimer	7
Saving a Station to Memory	7
Enter a Frequency Directly	8
Automatically Setup Presets	8
Changing Pages	8
Setting Weather Alert	8
Setting Narrow AM/ SW/ Air Bandwidth Filters	8
Listening with Speaker	9
Changing AM/ FM Bands	9
Lock Button	9
Changing Meter Bands	9
Stereo or Mono Reception	9
Battery Charging	10
Weather, Shortwave, and Air Bands	10
Changing Time Format	10
Setting the Alarm	11
Activate 9 or 10 kHz AM Tuning	11
Expanding the FM Band	11
Positioning the Whip Antenna	12
Changing Display Views	12
Setting the Time	12
Fast or Slow Tuning with Knob	12
Listening with Earphones	13
Setting the Volume	13
Setting the Squelch for Airband	13
Reseting the Radio	14
Disable Beep Sound	15
Designate Frequency or Clock While Listening	15
Troubleshooting Guide	16
Specifications	18
CC Skywave Accessories	19

Getting Started

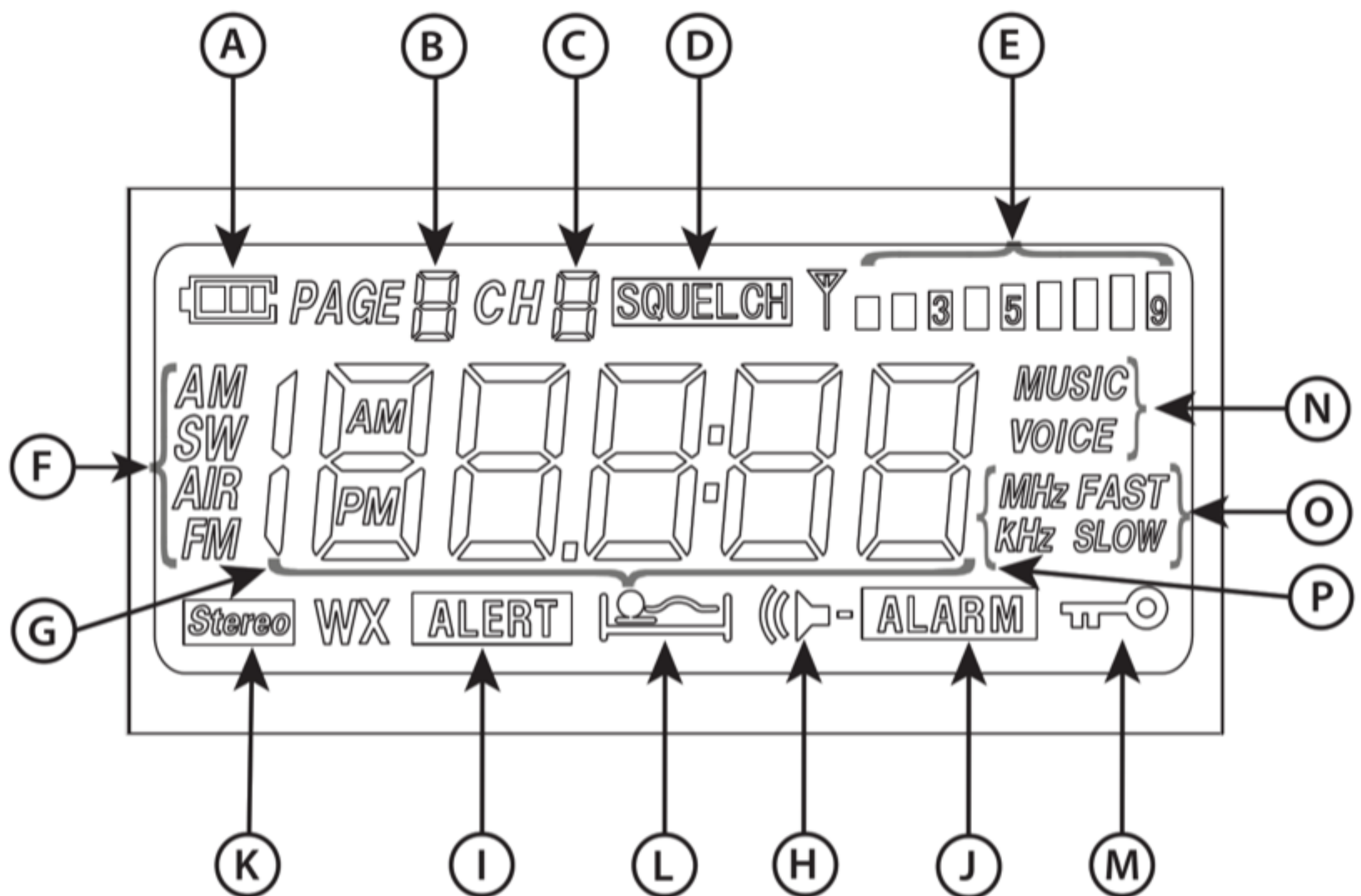
Installing the Batteries

1. Position the radio face down on a soft surface to protect it.
2. Remove the battery cover by applying pressure and sliding downwards towards the bottom of the radio.
3. Insert the two (2) "AA" alkaline or NiMH cell batteries into the compartment as indicated. Be sure the negative (-) end of each battery is against the spring.
4. Replace the battery cover. You are now ready to operate your radio.



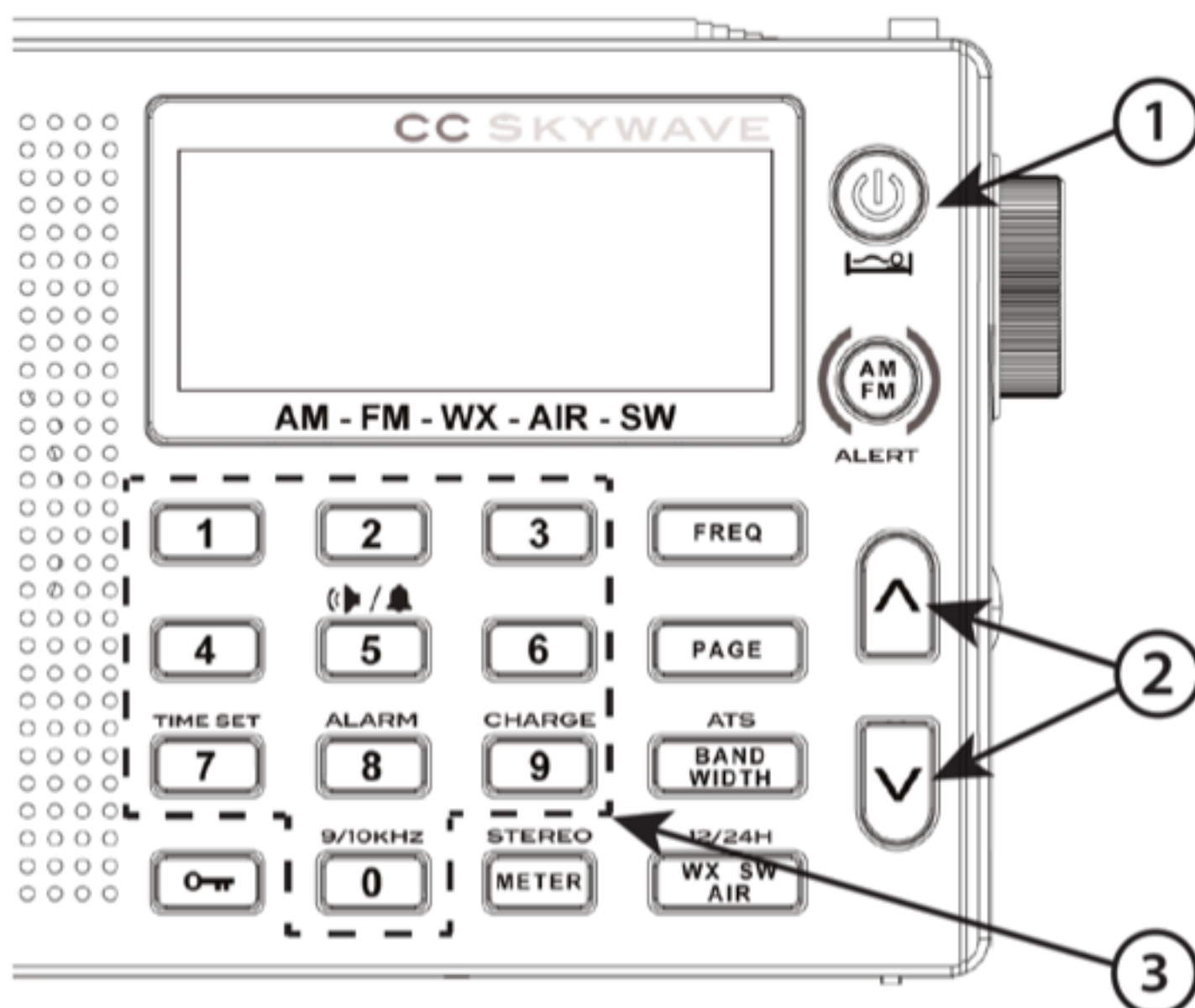
Two (2) "AA" alkaline or NiMH batteries

Radio Identification - Display



- | | |
|--|------------------------------------|
| A. Battery Icon / Charge Indicator | I. Alert is Activated (Weather) |
| B. Page Number (for station memories) | J. Alarm is Activated |
| C. Station Memories 0-9 | K. Stereo FM Reception |
| D. Squelch | L. Sleep Timer is Activated |
| E. Reception Signal Strength | M. Radio is Locked |
| F. Band Indicators (AM, SW, AIR, FM, WX) | N. Audio Filter for Voice or Music |
| G. Frequency / Time | O. Tuning Speed with Knob |
| H. Alarm Set for Radio Station | P. Tuning Increments |

Radio Operation



1. Power button / Sleep Timer

To turn the radio "ON" just press the red button. To use the Sleep Timer, press and hold the red button. The Sleep Timer will automatically shut off the radio after the set amount of time expires. The display will cycle through minutes 120, 90, 60, 45, 30, 15, and OFF. Release the power button to activate the sleep setting you desire. The radio will remember your last Sleep Timer setting for the next time you use it.

2. Up and Down Tuning Buttons

Press once quickly to tune to the next frequency increment. Press and hold for 2-seconds to automatically tune to the next strong station. Hold continuously to cycle through the whole band.

3. Memory Preset Buttons 0-9

Save your favorite stations to memory buttons. To save a station, press and hold any memory button for 2-seconds while the station is playing. To play a saved station, press the same button once quickly.

Note: The CC Skywave is a "smart" radio and will remember current settings when a station is preset into memory. Here is a list of the current settings that will be saved with your station.

1. **Stereo or Mono** selection on FM
2. **Bandwidth** selection on AM, Shortwave, or Air bands.
3. **Voice or Music** selection

Radio Operation

4. AM/ FM/ NOAA Weather Alert

Press the AM/ FM button once quickly to switch between AM and FM bands.
For NOAA Weather Alert: Press and hold this button to activate the weather alert for 4, 8, or 16 hours. release button to make selection. To disable alert, press and hold this button for 2 seconds.

5. Frequency Button

When you are in your selected band, this button lets you directly enter the frequency number of your desired station using the number buttons. For example, to play 1480 kHz in the AM band, quickly press the **FREQ** button and then enter 1, 4, 8, 0 using the number buttons.

6. Page Button - Changing Pages

Each memory page allows you to save 10 additional stations per band. To change to a different page, press the **PAGE** button once quickly then press any memory button 0-9 to select the Page that you desire.

7. ATS / Bandwidth Button

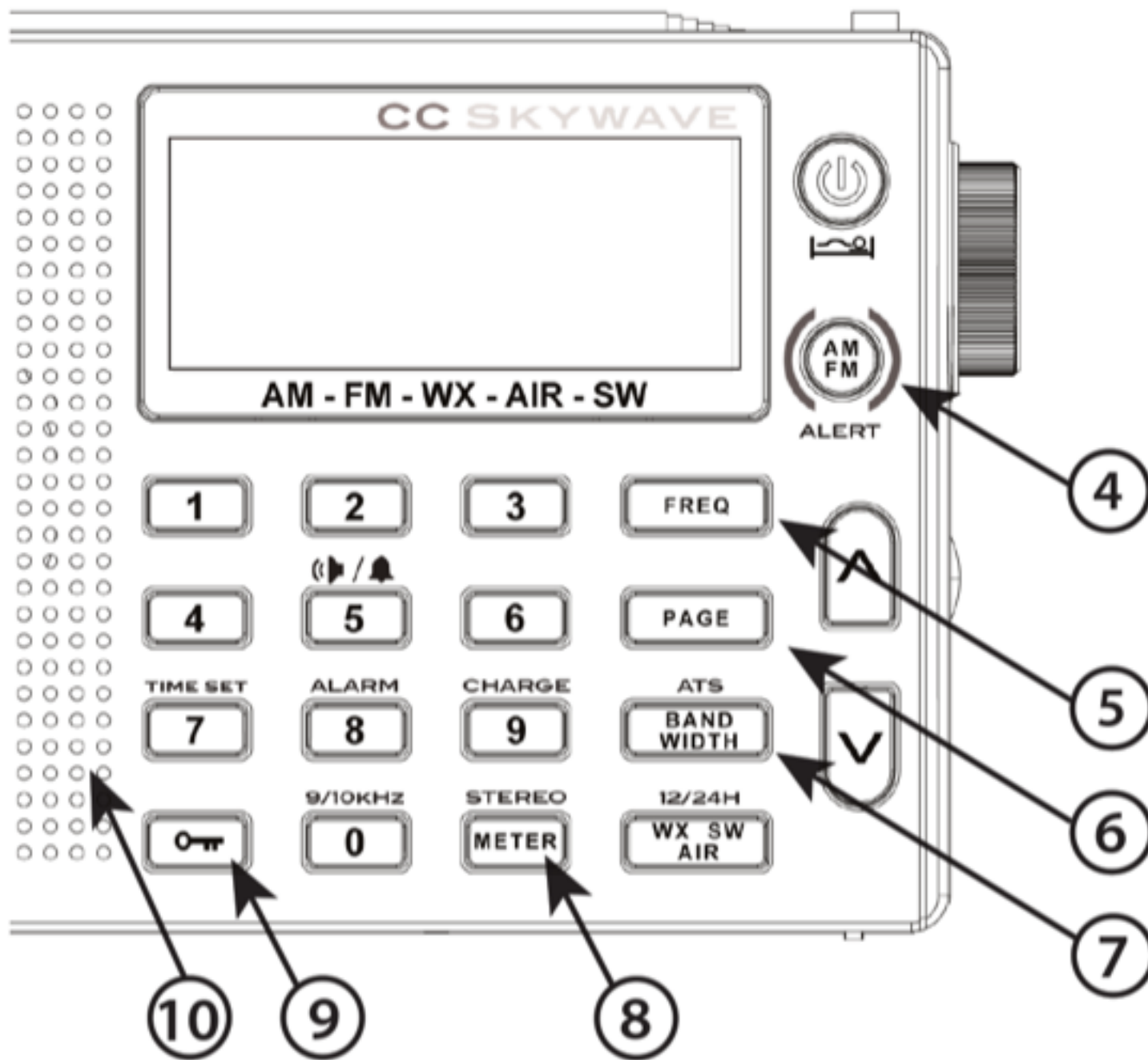
Automatic Tuning System (ATS). This feature programs all receivable stations in the AM, FM and Shortwave bands to memory buttons. To use ATS, select your desired band: AM, FM or Shortwave, and press the **ATS** button for two seconds. The CC Skywave will scan the entire band and automatically set all available stations in sequence 1-10. If more than 10 stations are available then the remaining station will be preset to the next memory page, and so on.

Bandwidth Filters (for AM, SW, and Airband only)

On AM, SW, and AIR bands there are five bandwidth settings that can be used to filter out unwanted noise or adjacent overlapping stations. Quickly press the **BAND WIDTH** button to view the current selection. Press it again to choose the setting that sounds best to you. Narrow bandwidth 1 kHz may work best when receiving a weak or noisy signal. For strong local signals 6 kHz is usually best, especially for music. If the station is changed then the radio will return to the default bandwidth setting. By default, the CC Skywave is set to 3 kHz Bandwidth for good audio, noise filtering, and voice quality.

The default bandwidth can be changed by holding down the bandwidth button for more

Radio Operation



than five seconds with the power OFF.

Release the button to choose the displayed selection.

8. Meter / Stereo Button


Changing Meter Bands -In the Shortwave band the METER/ STEREO button will change between frequencies according to popular meter bands.

Stereo or Mono Reception

In the FM band the METER/ STEREO button will cycle between stereo and mono FM reception.

Typically, FM Mono will have better reception than FM Stereo.

9. Lock Button

The lock button will disable all buttons and controls. A key icon will display on the screen when the radio is locked. To enable lock, press the lock button  for two seconds. To disable, press again for two seconds.

If the lock button is pressed one time quickly then the display screen will toggle between frequency and clock for 10 seconds.

10. Speaker

The speaker will be disabled when headphones are plugged into the headphone jack.

Radio Operation

11. WX/SW/AIR / 12-24 Hour Button (See picture next page.)

Weather, Shortwave, and Air bands

Quickly press the “WX/ SW/ AIR” button to cycle between Weather, Shortwave, and AIR bands.

About the Weather Band

The CC Skywave can receive all 7 NOAA weather band channels. NOAA is short for National Oceanic and Atmospheric Administration. It is a network of stations across the USA and territories that continuously broadcasts local weather and forecasts. Emergency Alerts are issued for serious weather conditions and public safety information. Enable the ALERT feature to be notified when a warning is issued in your area (See page 8). Fully extend the whip antenna for best reception.

About the Shortwave Band

With shortwave you can listen to radio signals from around the world. Signals are usually received best at night and early morning when the earth’s ionosphere does not cause interference with the bouncing signals. The CC Skywave has several bandwidth filters to reduce interference. Select which one sounds best by pressing the “BAND WIDTH” button after a station is tuned in.


About the Air Band

With airband you can listen to communications between pilots and control towers. Basic instructions for moving the plane and updates for weather and possible delays can also be heard. Many airports broadcast a continuous feed that updates frequently for this information. To find station frequencies that are used for your airport, we recommend searching the internet. One good site is www.flightradio.com

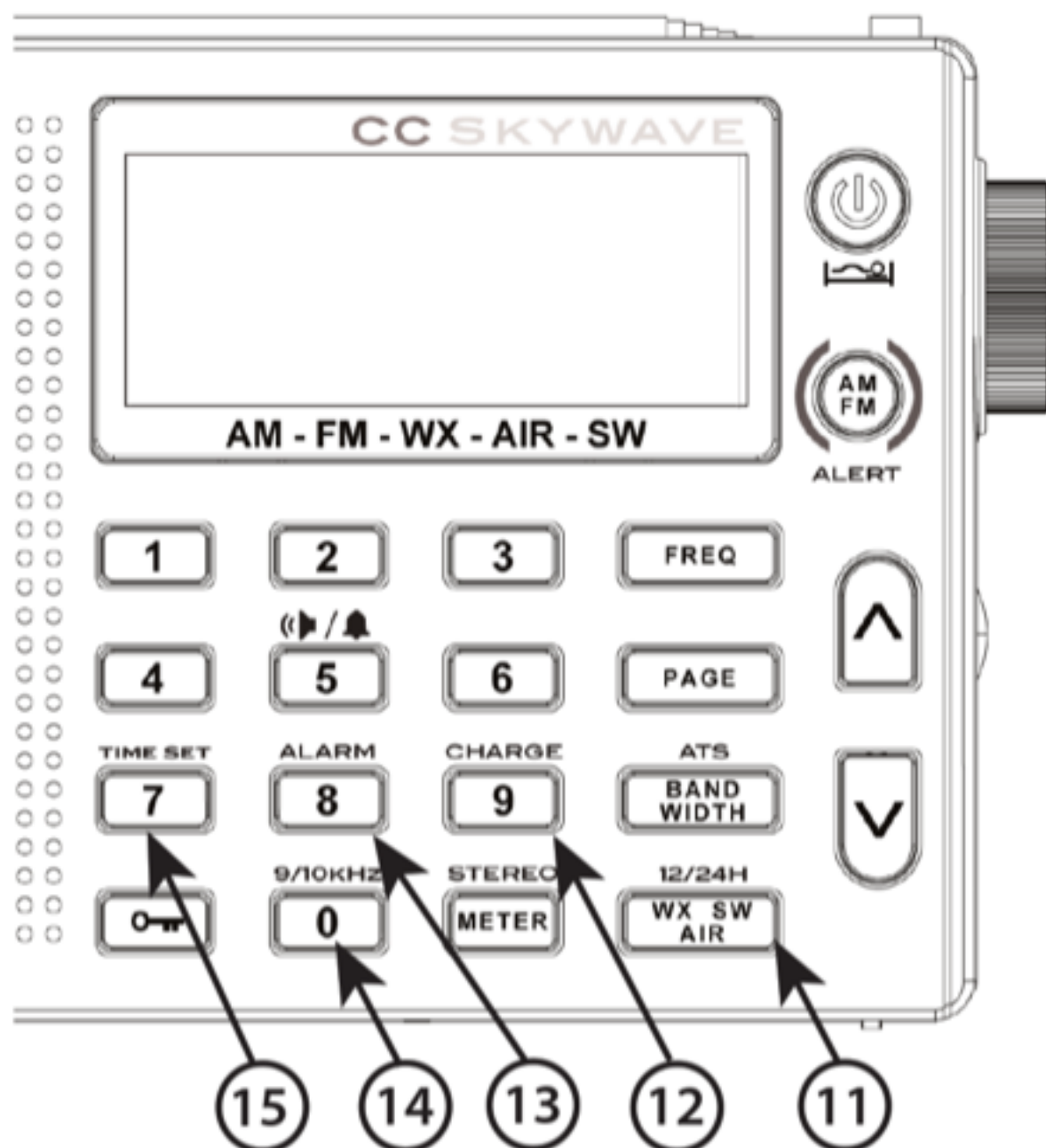
Time Format - 12 or 24 Hour Time

Switch between 12-hour time (USA) and 24-hour time (other parts of the world). With the radio OFF, press and hold the 12/24H button for two seconds to change this setting.

12. Charge Button

Use the CC Skywave to recharge your NiMH type batteries. Supply power to the CC Skywave from AC power adapter (not included). With the radio powered off, press and hold the CHARGE button for two seconds. The battery icon  on the display will begin to cycle indicating that the batteries are charging. Charging will continue for 10 hours or until the batteries are full.

Radio Operation




WARNING! DO NOT ATTEMPT TO CHARGE ALKALINE OR OTHER NON-NiMH BATTERIES. SEE PAGE 3 FOR MORE INFORMATION.

13. Alarm Button

With the radio powered off, press and hold the ALARM button



for two seconds. While the hour is flashing, press the \wedge or \vee tuning buttons (or rotate knob) until the hour and AM/PM time is correct. Press the ALARM button again to adjust the minutes. When finished, press the ALARM button again to confirm. To disable alarm, press the ALARM button for three seconds.

By default, the alarm will wake you with a “beep”. To wake to a radio station, press the up-arrow tuning button during alarm setup. A speaker icon  displays on the screen indicating that the alarm will wake to the previous radio station played. It is best to check the station frequency and adjust the volume level to your wake up preference before going to sleep to insure that it is just how you want it. When the alarm sounds, press the power button to turn the alarm off, or press any other button to sleep for 10 more minutes.

14. Activate 9 or 10 kHz Tuning Button – Expand FM Band

Many parts of the world, including Europe, use 9kHz tuning steps for the AM band. 10kHz tuning steps for AM are used in the USA and other regions. Switch tuning steps by holding the 9/10kHz button for two seconds with the radio turned off. When tuning steps are set to 9 kHz the FM Band will also be expanded to cover 76-108 MHz (Japanese FM Band.)

Radio Operation

15. Time Set Button (See picture previous page).

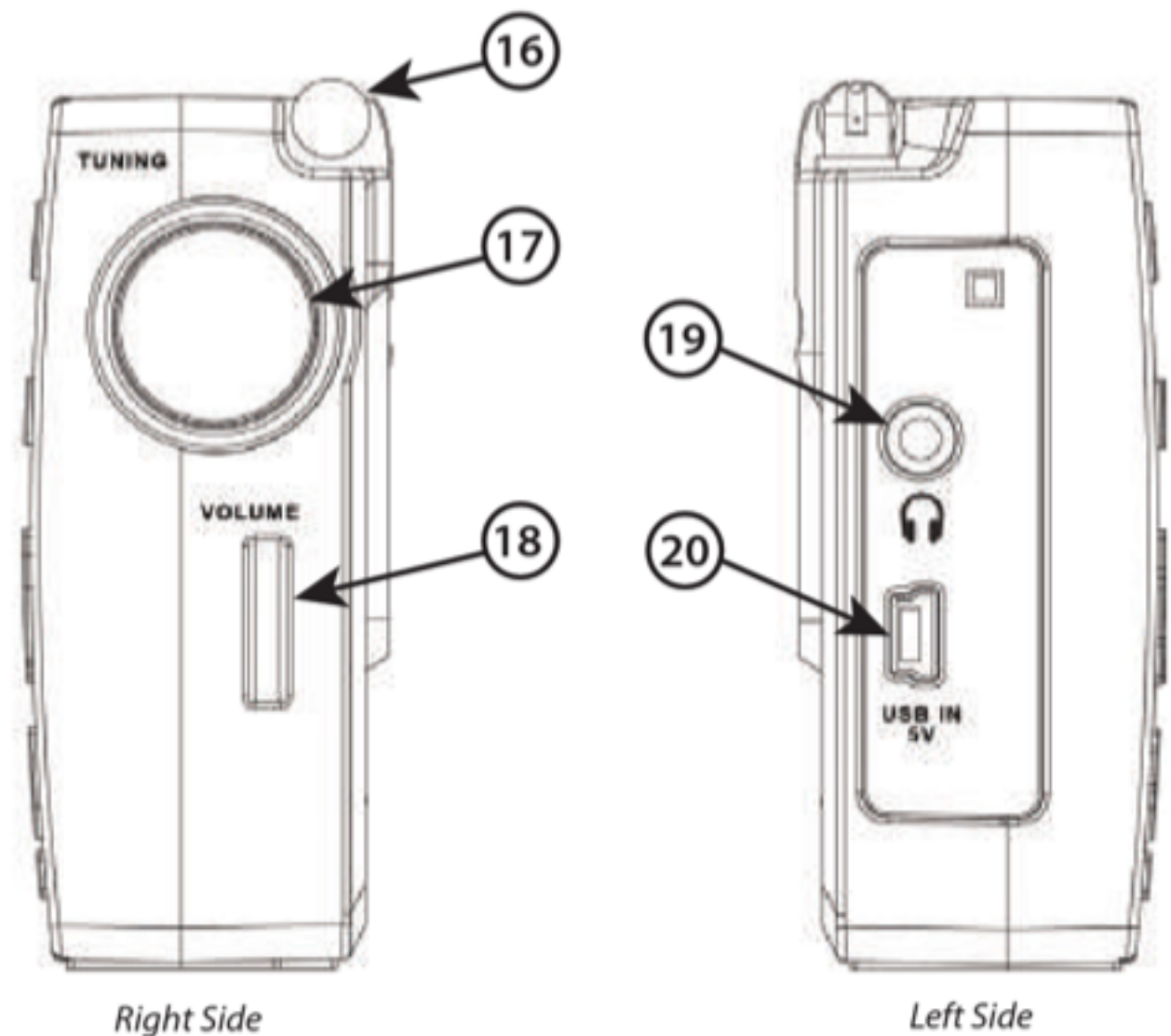
With the power off, press and hold the TIME SET button for two seconds. While the hour is flashing, press the **▲** or **▼** tuning buttons (or rotate knob) until the hour and AM/PM time is correct. Press the TIME SET button again to adjust the minutes. When finished, press the TIME SET button again.

16. FM/WX/AIR/SW Antenna

Flip up and fully extend the whip antenna. For most stations, reception is best when antenna is positioned vertically. Other stations may have better reception with the antenna positioned differently.

17. Tuning Knob

Rotate knob to tune to the next frequency increment. Press the knob "IN" towards the body of the radio (once quickly) to change between "FAST" and "SLOW" tuning increments when rotating the knob. "FAST" tuning will use larger incremental steps between frequencies. "SLOW" tuning can improve AM stations that are slightly off frequency on poor signals. Try tuning 1 kHz higher or lower than the actual station frequency to see if reception improves.



Radio Operation

Tuning Knob - Continued - Squelch Mode

Squelch Mode only works on the Air band. Press and hold the tuning knob "IN" towards the body of the radio (for 2 seconds) to activate. "OFF" will appear on the display screen. Rotate the knob to adjust the level of squelch desired. The optimal level is usually the lowest number that does not have background noise. With squelch turned "OFF", you may be able to receive some very weak signals that do not register when the squelch is enabled.

18. Volume Control

Rotate the small wheel up for more volume and down for less volume.

19. Earphone Jack

For private listening, use headphones or earbuds. This jack can also be used as an audio output to another device.

20. USB Power/ Charging Jack

You can power your radio or charge NiMH type batteries with the USB jack connected to a computer or USB power adapter (not included).

Powering the CC Skywave

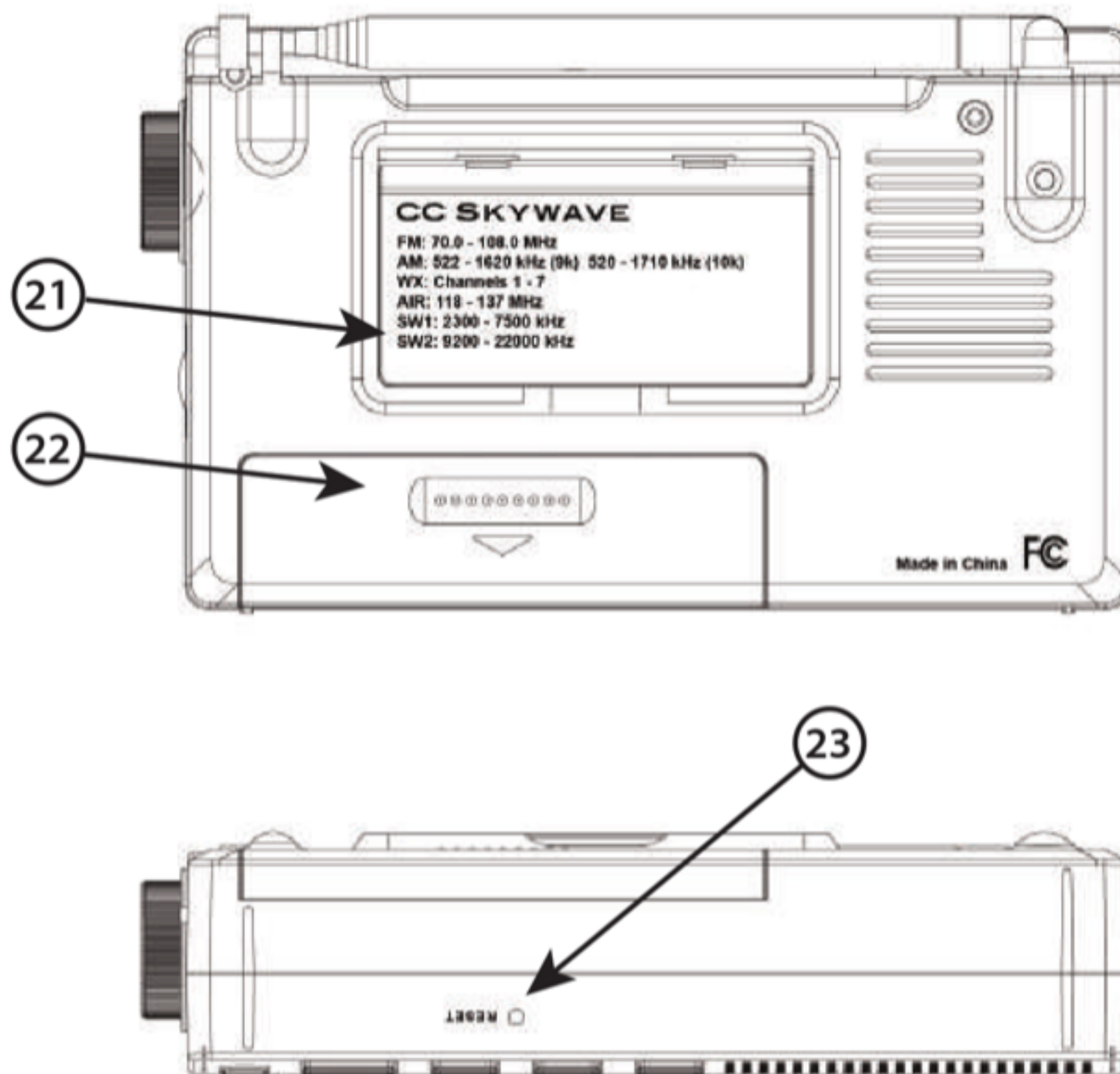
A computer or non-approved power adapter may generate too much interference on the AM, SW, and AIR bands. The FM band should not have as much interference when connected. For best reception, we recommend using the C.Crane power adapter or AA batteries.

Charging NiMH Batteries

To begin battery charging, press the CHARGE button for two seconds with the power off.

WARNING: DO NOT CHARGE ALKALINE BATTERIES OR OTHER BATTERY CHEMISTRIES. USE ONLY THE RECOMMENDED POWER ADAPTER THAT WE SUPPLY FOR RECHARGING NiMH BATTERIES.

Radio Operation



21. Back Stand

Flip this panel out to prop up your radio for easy use of the controls and best audio and viewing positioning.

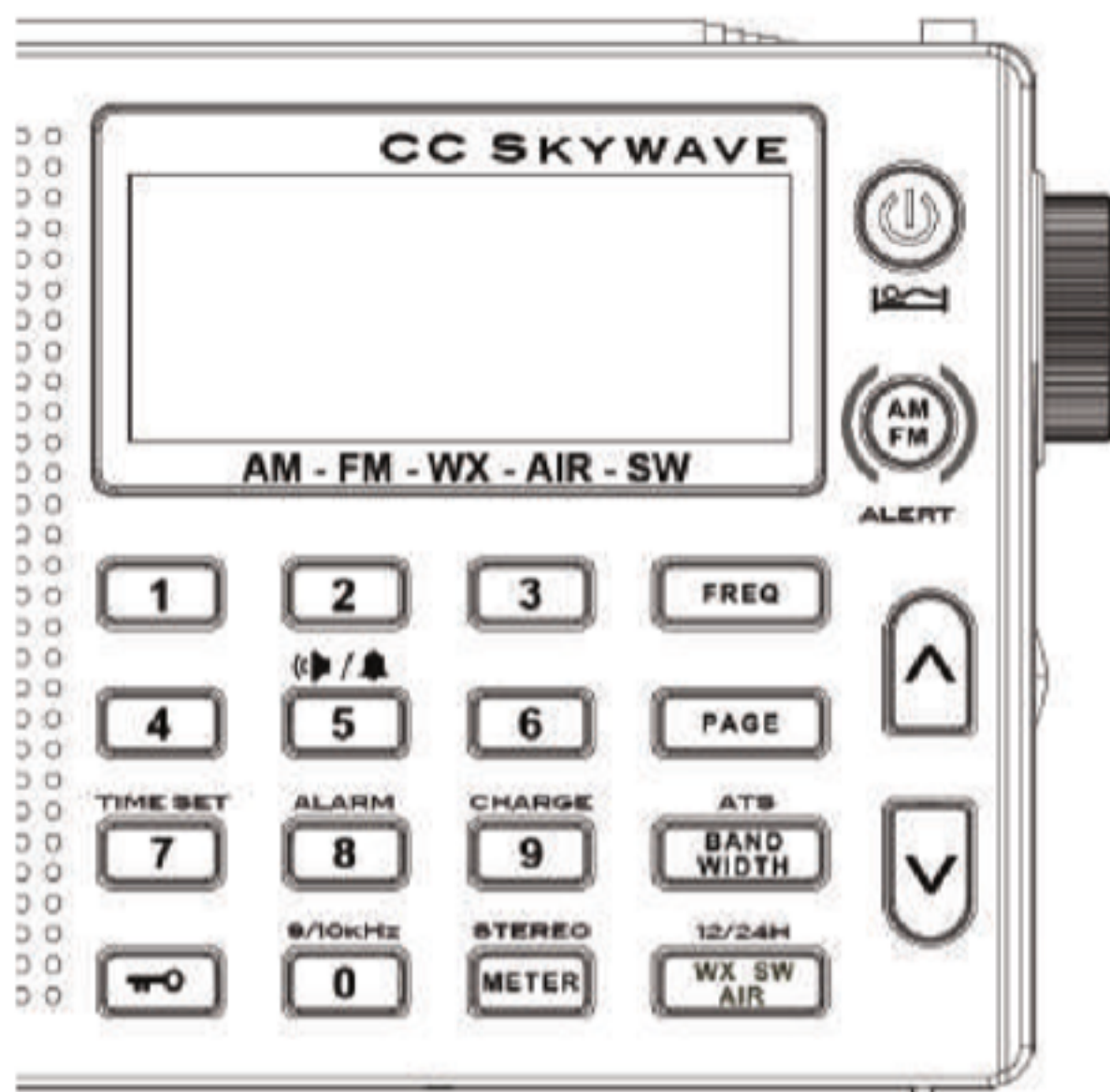
22. Battery Compartment

Requires two AA alkaline or Ni-MH batteries. DO NOT USE LITHIUM BATTERIES.

23. Reset Hole

Quickly press into the reset hole on the bottom of the radio to reset the microprocessor. It is recommended to use a toothpick or other soft device to reset the radio. Do not press too hard as you might damage the radio. See Page 15 for re-setting to all factory settings.

Hidden Settings



Disable Beep Sound

With the power OFF, press and hold memory button #3 for two seconds.

3

All beeps are disabled except ALARM and WX ALERT.
Repeat sequence to enable beep again.

Designate Frequency or Clock while Listening to the Radio

With the power OFF, press and hold memory button #4 for two seconds.

4

"C" will appear on the screen indicating that the Clock will show while listening to radio.

Repeat sequence to display Frequency instead. "F" will appear on the screen to indicate that the Frequency will show when listening to the radio.

Audio Filter for Voice or Music

The CC Skywave has a special audio filter to enhance your listening preference. The "MUSIC" setting will allow the full range of audio to be received so the music sounds best.

The "VOICE" setting will narrow the audio range so the human voice is most prominent.


To set the audio filter, press buttons #1 **1** and #2 **2** at the same time while the radio is powered on. The display screen will show "MUSIC" or "VOICE" indicating your selection.

Reset All Settings

With the power OFF, press and hold memory buttons #4 **4** and #6 **6** for five seconds. The radio will beep four times indicating that all settings have been restored back to the factory defaults.

Troubleshooting Guide

The CC Skywave will not turn on and none of the buttons work:

The Lock button:  that is located on the front of the radio may be activated. When activated, a key icon will show on the display screen. Push lock button for 2 seconds to resume normal operation of the radio. (Please see 'Lock Button' on page 9.)

My radio shuts off after just a few seconds:

Low batteries can cause this situation. Replace them with a new set of batteries.

Stations won't hold in memory:

The memory button settings are being overwritten. When recalling a station from memory, if you hold the memory button down too long it will program the current station over your previously stored station. To recall a station that has been stored in memory, always press and release the button quickly. To program a new station into memory, tune to the desired station and then press and hold the memory button for two seconds until you hear a beep.

Poor reception on AM band:

Rotate the radio until the reception is best. Many buildings that use brick, metal, or stucco can absorb or reflect the AM signal. Computers and other electronic equipment, including fluorescent lights, can cause noise that interferes with your AM reception. Move the radio to a different place to see if that helps. Additional noise may affect a weak signal. There are several bandwidth filters which can help to reduce interference. Select which one sounds best by pressing the "BAND WIDTH" button. For even more reception, use an external AM antenna, available at www.ccrane.com

Poor reception on FM, Weather, and Air band:

Fully extended the whip antenna and adjust its orientation to obtain the strongest signal. You may be able to get an even better signal by switching to FM mono. Press the STEREO button change between FM Stereo and FM Mono. For addition reception, use an external FM antenna available at www.ccrane.com

Troubleshooting Guide

Poor reception on Shortwave band:

Fully extend the whip antenna and adjust its orientation to obtain the strongest signal.

There are several bandwidth filters which can help to reduce interference. Select which one sounds best by pressing the "BAND WIDTH" button. For even more reception, use an external SW antenna, available at www.ccrane.com

Battery Power Level Indicator doesn't show full charge when using rechargeable batteries:

Rechargeable batteries will not show a full charge on your radios display. The CC Skywave is calibrated to read the charge of your alkaline batteries, which is 1.5 volts at full charge.

Rechargeable batteries, however, are fully charged at just 1.25 volts, and so your radio will show a partial charge even if the rechargeable batteries have been fully charged.

Specifications

FM Band:

87.5 - 108 MHz (Regular Mode)
76 - 108 MHz (Expanded Mode –
See page 11)

AM Band:

520 - 1710 kHz (10kHz)
522 - 1620 kHz (9kHz)

Shortwave Band:

2300 - 26100 kHz

Air Band:

118 - 137 MHz

Weather Band:

Channel 1: 162.400 MHz
Channel 2: 162.425 MHz
Channel 3: 162.450 MHz
Channel 4: 162.475 MHz
Channel 5: 162.500 MHz
Channel 6: 162.525 MHz
Channel 7: 162.550 MHz

POWER SOURCE

Batteries: (2) "AA" size

POWER CONSUMPTION

30 - 100 mA DC (depending on
headphone or speaker usage)

AUDIO

Speaker: 1.5", 25 Ohm, 0.5 Watt
Stereo headphone jack

ANTENNA

FM, Weather, Shortwave and Air band:
16" Whip Antenna
AM Band: Built-in Ferrite Bar

DIMENSIONS

3" W x 4.75" H x 1.1" D

WEIGHT

Approximately 5.5 ounces without batteries

Note: Specifications are subject to change
without notice.

Model: CC Skywave

Accessories for your CC SKYWAVE

Available at ccrane.com or call: 1-800-522-8863



AC Power Adapter



**Voz-P Premium
Wooden Earbuds**



CC SW Reel Antenna



**Rechargeable NiMH
'AA' Batteries**

THIS DEVICE COMPLIES WITH PART 15 OF THE FCC RULES. OPERATION IS SUBJECT TO THE FOLLOWING TWO CONDITIONS. 1) THIS DEVICE MAY NOT CAUSE HARMFUL INTERFERENCE, AND 2) THIS DEVICE MUST ACCEPT ANY INTERFERENCE RECEIVED, INCLUDING INTERFERENCE THAT MAY CAUSE UNDESIRE OPERATION.

Notice: Any changes or modifications not expressly approved by the party responsible for compliance could void the user's authority to operate the equipment.

Copyright © 2015 by C. Crane Company, Inc., Fortuna, CA 95540
Phone: 1-800-522-8863 Web: ccrane.com

All rights reserved. No part of this booklet may be reproduced, in any form or means whatsoever, without permission in writing from C. Crane.