



# Installation, Start-Up, and Service Instructions

## CONTENTS

	Page
<b>SAFETY CONSIDERATIONS</b> .....	1
<b>INSTALLATION</b> .....	1-44
<b>Step 1 — Provide Unit Support</b> .....	2
• ROOF CURB	
• SLAB MOUNT	
• ALTERATE UNIT SUPPORT	
<b>Step 2 — Field Fabricate Ductwork</b> .....	2
<b>Step 3 — Install External Trap for Condensate Drain</b> .....	2
<b>Step 4 — Rig and Place Unit</b> .....	4
• POSITIONING	
<b>Step 5 — Install Flue Hood</b> .....	11
<b>Step 6 — Install Gas Piping</b> .....	11
<b>Step 7 — Make Electrical Connections</b> .....	12
• FIELD POWER SUPPLY	
• FIELD CONTROL WIRING	
• HEAT ANTICIPATOR SETTINGS	
<b>Step 8 — Adjust Factory-Installed Options</b> .....	16
• MANUAL OUTDOOR-AIR DAMPER	
• CONVENIENCE OUTLET	
• NOVAR CONTROLS	
• PREMIERLINK™ CONTROL	
• OPTIONAL ECONOMISER IV AND ECONOMISER2	
• ECONOMISER IV STANDARD SENSORS	
• ECONOMISER IV CONTROL MODES	
<b>Step 9 — Adjust Evaporator-Fan Speed</b> .....	27
• DIRECT-DRIVE MOTORS	
• BELT-DRIVE MOTORS	
<b>PRE-START-UP</b> .....	45
<b>START-UP</b> .....	45-49
<b>SERVICE</b> .....	49-54
<b>TROUBLESHOOTING</b> .....	55-59
<b>INDEX</b> .....	60
<b>START-UP CHECKLIST</b> .....	CL-1

## SAFETY CONSIDERATIONS

Installation and servicing of air-conditioning equipment can be hazardous due to system pressure and electrical components. Only trained and qualified service personnel should install, repair, or service air-conditioning equipment.

Untrained personnel can perform basic maintenance functions of cleaning coils and filters and replacing filters. All other operations should be performed by trained service personnel. When working on air-conditioning equipment, observe precautions in the literature, tags and labels attached to the unit, and other safety precautions that apply.

Follow all safety codes. Wear safety glasses and work gloves. Use quenching cloth for unbrazing operations. Have fire extinguishers available for all brazing operations.

### ▲ WARNING



Disconnect gas piping from unit when leak testing at pressure greater than 1/2 psig. Pressures greater than 1/2 psig will cause gas valve damage resulting in hazardous condition. If gas valve is subjected to pressure greater than 1/2 psig, it *must* be replaced before use. When pressure testing field-supplied gas piping at pressures of 1/2 psig or less, a unit connected to such piping must be isolated by manually closing the gas valve.

### ▲ WARNING

Before performing service or maintenance operations on unit, turn off main power switch to unit and install a lock-out tag. Electrical shock could cause personal injury.

## INSTALLATION

Unit is shipped in the vertical duct configuration. To convert to horizontal configuration, remove and save screws from side duct opening covers and remove covers. Using the same screws, install covers on vertical duct openings with the insulation-side down. Seals around duct openings must be tight. See Fig. 1.

Confirm before installation of unit that voltage, amperage and circuit protection requirements listed on unit data plate agree with power supply provided.

### Step 1 — Provide Unit Support

**ROOF CURB** — Assemble and install accessory roof curb in accordance with instructions shipped with curb. See Fig. 2. Install insulation, cant strips, roofing felt, and counter flashing as shown. *Ductwork must be attached to curb, not to the unit. The accessory thru-the-bottom power and gas connection package must be installed before the unit is set on the roof curb.* If field-installed (thru-the-roof curb) gas connections are desired, use factory-supplied 3/4-in. pipe coupling and gas plate assembly to mount the thru-the-roof curb connection to the roof curb. Gas connections and power connections to the unit must be field installed after the unit is installed on the roof curb.

If electric and control wiring is to be routed through the basepan, attach the accessory thru-the-bottom service connections to the basepan in accordance with the accessory installation instructions.

**IMPORTANT:** The gasketing of the unit to the roof curb is critical for a watertight seal. Install gasket supplied with the roof curb as shown in Fig. 2. Improperly applied gasket can result in air leaks and poor unit performance.

Curb should be level. Unit leveling tolerances are shown in Fig. 3. This is necessary for unit drain to function properly. Refer to Accessory Roof Curb Installation Instructions for additional information as required.

**SLAB MOUNT (Horizontal Units Only)** — Provide a level concrete slab that extends a minimum of 6 in. beyond unit cabinet. Install a gravel apron in front of condenser coil air inlet to prevent grass and foliage from obstructing airflow.

**NOTE:** Horizontal units may be installed on a roof curb if required.

**ALTERNATE UNIT SUPPORT (Curb or Slab Mount)** — A non-combustible sleeper rail can be used in the unit curb support area. If sleeper rails cannot be used, support the long sides of the unit with a minimum of 3 equally spaced 4-in. x 4-in. pads on each side.

**Step 2 — Field Fabricate Ductwork** — Secure all ducts to roof curb and building structure on vertical ducted units. *Do not connect ductwork to unit.* For horizontal applications, field-supplied flanges should be attached to horizontal duct openings and all ductwork should be secured to the flanges. Insulate and weatherproof all external ductwork, joints, and roof openings with counter flashing and mastic in accordance with applicable codes.

Ducts passing through an unconditioned space must be insulated and covered with a vapor barrier.

If a plenum return is used on a vertical unit, the return should be ducted through the roof deck to comply with applicable fire codes.

A minimum clearance is not required around ductwork. Cabinet return air static pressure (a negative condition) shall not exceed 0.35 in. wg with economizer or 0.45 in. wg without economizer.

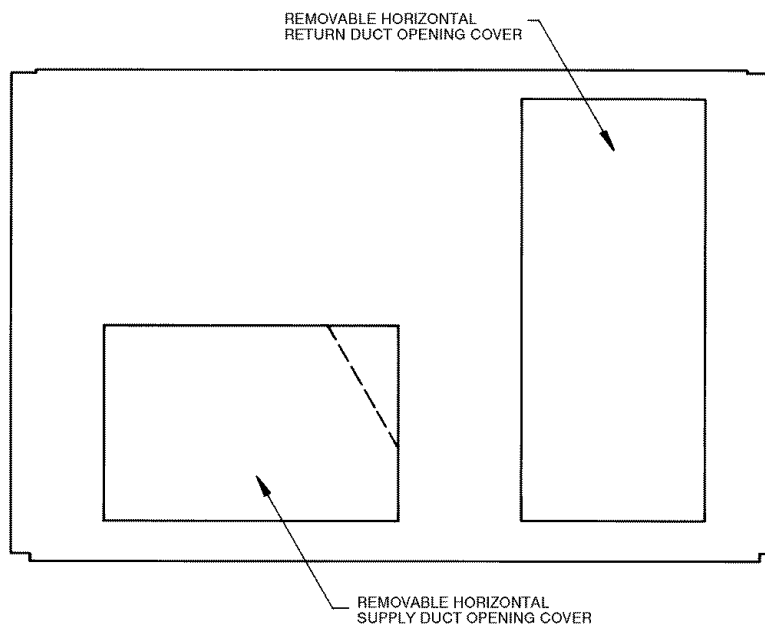
These units are designed for a minimum continuous heating return-air temperature of 50 F (dry bulb), or an intermittent operation down to 45 F (dry bulb), such as when used with a night set-back thermostat. To operate at lower return-air temperatures, a field-supplied outdoor air temperature control must be used to initiate both stages of heat when the temperature is below 45 F. Indoor comfort may be compromised when these lower air temperatures are used with insufficient heating temperature rise.

**Step 3 — Install External Trap for Condensate Drain** — The unit's 3/4-in. condensate drain connections are located on the bottom and side of the unit. Unit discharge connections do not determine the use of drain connections; either drain connection can be used with vertical or horizontal applications.

When using the standard side drain connection, make sure the plug (Red) in the alternate bottom connection is tight before installing the unit.

To use the bottom drain connection for a roof curb installation, relocate the factory-installed plug (Red) from the bottom connection to the side connection. The center drain plug looks like a star connection, however it can be removed with a 1/2-in. socket drive extension. See Fig. 4A. The piping for the condensate drain and external trap can be completed after the unit is in place. See Fig. 4B.

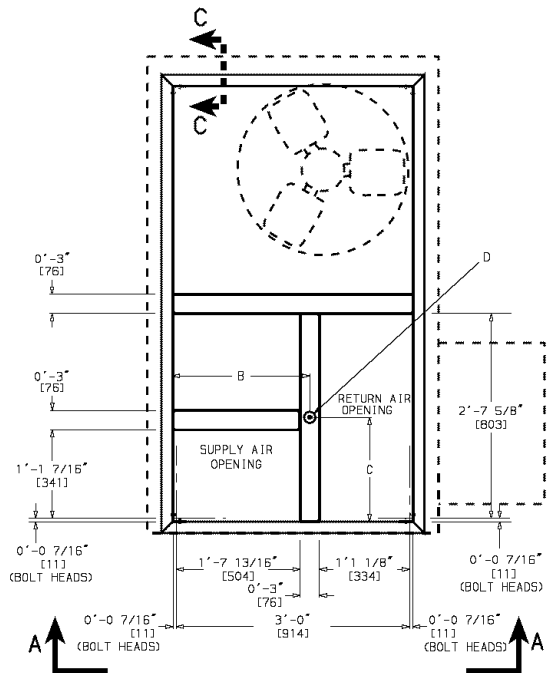
*All units must have an external trap for condensate drainage. Install a trap at least 4-in. deep and protect against freeze-up. If drain line is installed downstream from the external trap, pitch the line away from the unit at 1 in. per 10 ft of run. Do not use a pipe size smaller than the unit connection (3/4 in.).*



**Fig. 1 — Horizontal Conversion Panels**

CONNECTOR PKG. ACC	B	C	D ALT DRAIN HOLE	GAS	POWER	CONTROL	ACCESSORY PWR
CRBTMPWRO01A01 CRBTMPWRO02A01	1'-9 11/16" [551]	1'-4" [406]	1 3/4" [44.5]	3/4" [19]NPT	3/4" [19]NPT 1 1/4" [31.7]	1/2" [12.7]NPT	1/2" [12.7]NPT
CRBTMPWRO03A01				1/2" [12.7]NPT	3/4" [19]NPT		
CRBTMPWRO04A01				3/4" [19]NPT	1 1/4" [31.7]		

ROOFCURB ACCESSORY	A	UNIT SIZE
CRRFCURB001A01	1'-2" [356]	48 TF, TM 004-007
CRRFCURB002A01	2'-0" [610]	



- NOTES:
1. ROOFCURB ACCESSORY IS SHIPPED DISASSEMBLED.
  2. INSULATED PANELS.
  3. DIMENSIONS IN [ ] ARE IN MILLIMETERS.
  4. ROOFCURB, GALVANIZED STEEL.
  5. ATTACH DUCTWORK TO CURB (FLANGES OF DUCT REST ON CURB)
  6. SERVICE CLEARANCE 4 FEET ON EACH SIDE.
  7. DIRECTION OF AIR FLOW.
  8. CONNECTOR PACKAGES CRBTMPWRO01A01 AND 2A01 ARE FOR THRU-THE-CURB TYPE GAS. PACKAGES CRBTMPWRO03A01 AND 4A01 ARE FOR THE THRU-THE-BOTTOM TYPE GAS CONNECTIONS.

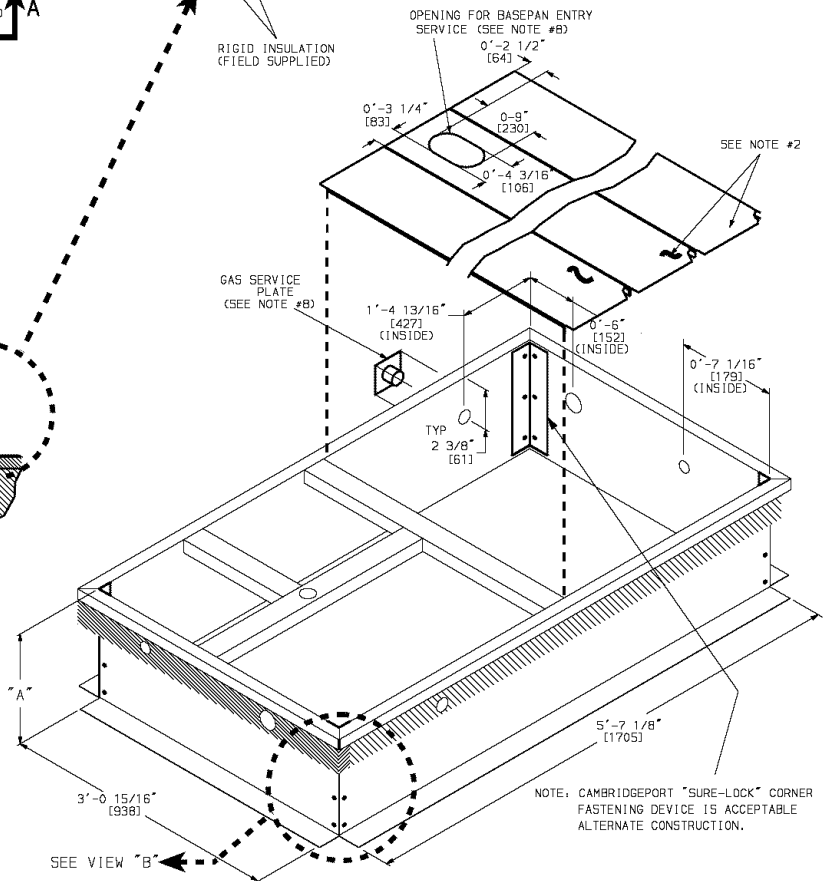
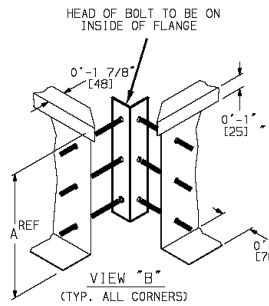
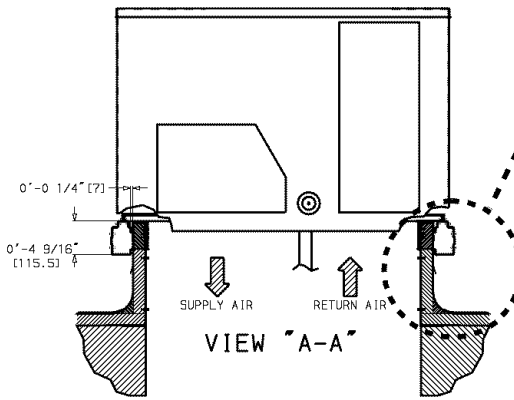
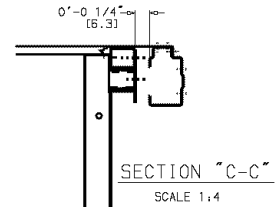
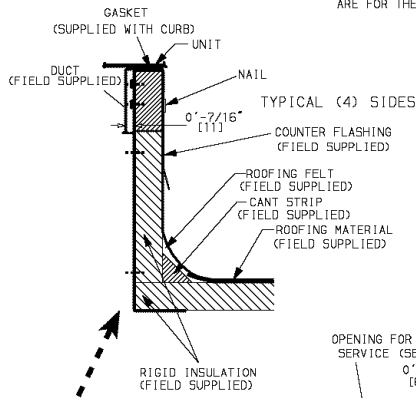
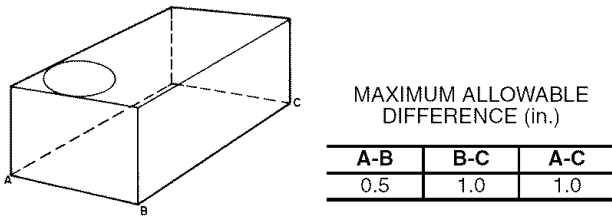
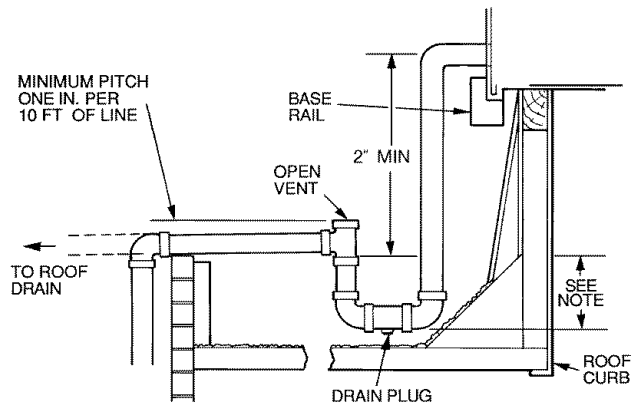


Fig. 2 — Roof Curb Details

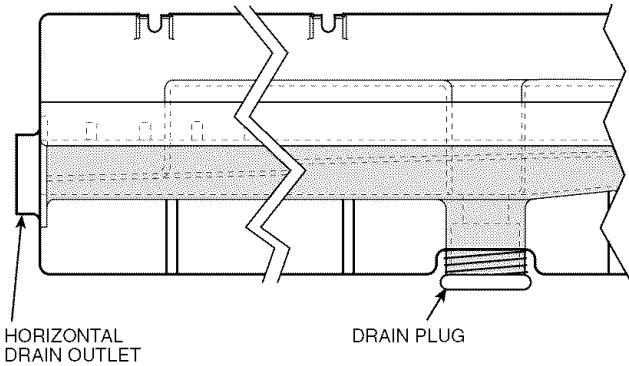


**Fig. 3 — Unit Leveling Tolerances**



NOTE: Trap should be deep enough to offset maximum unit static difference. A 4-in. trap is recommended.

**Fig. 4B — Condensate Drain Piping Details**



NOTE: Drain plug is shown in factory-installed position.

**Fig. 4A — Condensate Drain Pan (Side View)**

Lifting holes are provided in base rails as shown in Fig. 6A and 6B. Refer to rigging instructions on unit.

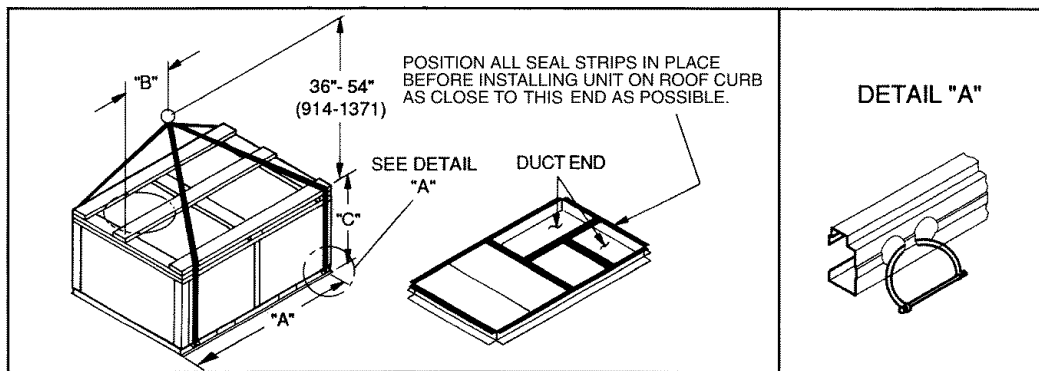
**⚠ CAUTION**

All panels must be in place when rigging. Unit is not designed for handling by fork truck. Damage to unit may result.

**POSITIONING** — Maintain clearance around and above unit to provide minimum distance from combustible materials, proper airflow, and service access. See Fig. 6A and 6B. A properly positioned unit will have the following clearances between unit and roof curb: 1/4-in. clearance between roof curb and base rails on each side and duct end of unit; 1/4-in. clearance between roof curb and condenser coil end of unit. (See Fig. 2, section C-C.)

*(Text continued on page 11.)*

**Step 4 — Rig and Place Unit** — Inspect unit for transportation damage. File any claim with transportation agency. Keep unit upright and do not drop. Spreader bars are not required if top crating is left on unit. Rollers may be used to move unit across a roof. Level by using unit frame as a reference. See Tables 1A and 1B and Fig. 5 for additional information.



- NOTES:
- Dimensions in ( ) are in millimeters.
  - Hook rigging shackles through holes in base rail, as shown in detail "A." Holes in base rails are centered around the unit center of gravity. Use wooden top skid when rigging to prevent rigging straps from damaging unit.

- Unit weights do not include economizer. See Tables 1A and 1B for economizer weights.

**⚠ CAUTION**

All panels must be in place when rigging. Unit is not designed for handling by fork truck. Damage to unit may result.

UNIT	MAX WEIGHT		"A"		"B"		"C"	
	Lb	Kg	in.	mm	in.	mm	in.	mm
48TF, TM004	510	231	73.69	1872	37.50	953	33.35	845
48TF, TM005	520	236						
48TF, TM006	540	245						
48TF007	615	279						
48TM007	665	302						

**Fig. 5 — Rigging Details**

Table 1A — Physical Data — 48TF004-007

48TF UNIT SIZE	E/F/H/M/N004	D/E/F/G/H/K/L/M/N005	D/E/F/G/H/K/L/M/N006	D/E/F007
NOMINAL CAPACITY (tons)	3	4	5	6
OPERATING WEIGHT (lb)				
Unit				
Al/Al*	460	470	490	565
Al/Cu*	465	476	497	576
Cu/Cu*	468	482	505	587
Economizer				
EconoMiSer IV	50	50	50	50
Roof Curb†	115	115	115	115
COMPRESSOR		Reciprocating		Scroll
Quantity	1	1	1	1
No. Cylinders (per Circuit)	2	2	2	2
Oil (oz)	50	50	50	54
REFRIGERANT TYPE		R-22		
Expansion Device		Acutrol™ Metering Device		
Operating Charge (lb-oz)				
Circuit 1	4-4	6-6	6-14	9-0
Circuit 2	—	—	—	—
CONDENSER COIL		Enhanced Copper Tubes, Aluminum Lanced Fins		
Rows...Fins/in.	1...17	2...17	2...17	2...17
Total Face Area (sq ft)	8.36	8.36	10.42	10.42
CONDENSER FAN		Propeller Type		
Nominal Cfm	3500	4000	4000	4000
Quantity...Diameter (in.)	1...22.0	1...22.0	1...22.0	1...22.0
Motor Hp...Rpm	1/4...1100	1/4...1100	1/4...1100	1/4...1100
Watts Input (Total)	325	325	325	325
EVAPORATOR COIL		Enhanced Copper Tubes, Aluminum Double-Wavy Fins		
Rows...Fins/in.	2...15	2...15	3...15	4...15
Total Face Area (sq ft)	4.17	5.5	5.5	5.5
EVAPORATOR FAN		Centrifugal Type		
Quantity...Size (in.)	Std 1...10 x 10 Alt 1...10 x 10 High-Static 1...10 x 10	Std 1...10 x 10 Alt 1...10 x 10 High-Static 1...10 x 10	Std 1...11 x 10 Alt 1...10 x 10 High-Static 1...11 x 10	Std 1...10 x 10 Alt — High-Static 1...10 x 10
Type Drive	Std Direct Alt Belt High-Static Belt	Std Direct Alt Belt High-Static Belt	Std Direct Alt Belt High-Static Belt	Std Belt Alt — High-Static Belt
Nominal Cfm	1200	1600	2000	2100
Maximum Continuous Bhp	Std .34 Alt 1.20 High-Static 2.40	Std .75 Alt 1.20 High-Static 2.40	Std 1.20 Alt 1.30/2.40** High-Static 2.90	Std 2.40 Alt — High-Static 2.90
Motor Frame Size	Std 48 Alt 48 High-Static 56	Std 48 Alt 48 High-Static 56	Std 48 Alt 56 High-Static 56	Std 56 Alt — High-Static 56
Nominal Rpm High/Low (Direct Drive)	Std 860/800 Alt — High-Static —	Std 1075/970 Alt — High-Static —	Std 1075/970 Alt — High-Static —	Std — Alt — High-Static —
Fan Rpm Range	Std — Alt 760-1000 High-Static 1075-1455	Std — Alt 770-1175 High-Static 1075-1455	Std — Alt 875-1192 High-Static 1300-1685	Std 1070-1460 Alt — High-Static 1300-1685
Motor Bearing Type	Ball	Ball	Ball	Ball
Maximum Allowable Rpm	2100	2100	2100	2100
Motor Pulley Pitch Diameter Min/Max (in.)	Std — Alt 1.9/2.9 High-Static 2.8/3.8	Std — Alt 1.9/2.9 High-Static 2.8/3.8	Std — Alt 2.4/3.4 High-Static 3.4/4.4	Std 2.8/3.8 Alt — High-Static 3.4/4.4
Nominal Motor Shaft Diameter (in.)	Std 1/2 Alt 1/2 High-Static 5/8	Std 1/2 Alt 1/2 High-Static 5/8	Std 1/2 Alt 5/8 High-Static 5/8	Std 5/8 Alt — High-Static 5/8
Fan Pulley Pitch Diameter (in.)	Std — Alt 4.5 High-Static 4.5	Std — Alt 4.0 High-Static 4.5	Std — Alt 4.5 High-Static 4.5	Std 4.5 Alt — High-Static 4.5
Belt, Quantity...Type...Length (in.)	Std — Alt 1...A...34 High-Static 1...A...39	Std — Alt 1...A...34 High-Static 1...A...39	Std — Alt 1...A...39 High-Static 1...A...40	Std 1...A...40 Alt — High-Static 1...A...40
Pulley Center Line Distance (in.)	Std — Alt 10.0-12.4 High-Static 10.0-12.4	Std — Alt 10.0-12.4 High-Static 10.0-12.4	Std — Alt 14.7-15.5 High-Static 14.7-15.5	Std 14.7-15.5 Alt — High-Static 14.7-15.5
Speed Change per Full Turn of Movable Pulley Flange (rpm)	Std — Alt 48 High-Static 65	Std — Alt 70 High-Static 65	Std — Alt 80 High-Static 60	Std 80 Alt — High-Static 60
Movable Pulley Maximum Full Turns From Closed Position	Std — Alt 5 High-Static 6	Std — Alt 5 High-Static 6	Std — Alt 5 High-Static 5	Std 5 Alt — High-Static 5
Factory Setting	Std — Alt 3 High-Static 3 1/2	Std — Alt 3 High-Static 3 1/2	Std — Alt 3 High-Static 3 1/2	Std 3 Alt — High-Static 3 1/2
Factory Speed Setting (rpm)	Std — Alt 856 High-Static 1233	Std — Alt 975 High-Static 1233	Std — Alt 1060 High-Static 1396	Std 1225 Alt — High-Static 1396
Fan Shaft Diameter at Pulley (in.)	Std — Alt 5/8	Std — Alt 5/8	Std — Alt 5/8	Std 5/8 Alt — High-Static 5/8

LEGEND

- Al — Aluminum
- Bhp — Brake Horsepower
- Cu — Copper

\*Evaporator coil fin material/condenser coil fin material. Contact your local Carrier representative for details about coated fins.

†Weight of 14-in. roof curb.

\*\*Single phase/three-phase.

††Rollout switch lockout is manually reset by interrupting power to unit or resetting thermostat.

‡‡48TFG, TFH, and TFK units are California compliant three-phase high heat models.

\*\*\*Three-phase standard high heat models have heating input values as shown. Single-phase standard high heat models have one-stage heating with heating input values as follows:

- 48TFG,TFH004 — 115,000 Btuh
- 48TFG,TFH005,006 — 150,000 Btuh

†††California SCAQMD compliant Low NO<sub>x</sub> models have combustion products that are controlled to 40 nanograms per joule or less.

¶Steady State Efficiency is 80% on all units except 48TFK004, which is 81%.

NOTE: High-static motor not available on single-phase units.

Table 1A — Physical Data — 48TF004-007 (cont)

48TF UNIT SIZE			E/F/H/K/M/N004	D/E/F/G/H/K/L/M/N005	D/E/F/G/H/K/L/M/N006	D/E/F007
<b>FURNACE SECTION</b>						
Rollout Switch Cutout Temp (F)††			195	195	195	195
Burner Orifice Diameter (in. ...drill size)						
Natural Gas						
	Std	TFD/G	—	.113...33	.113...33	.113...33
		TFE/H	.113...33	.113...33	.113...33	.113...33
		TFP/K	.113...33	.129...30	.129...30	.129...30
		TFL	—	.102...38	.102...38	—
		TFM	.102...38	.102...38	.102...38	—
		TFN	.102...38	.116...32	.116...32	—
Liquid Propane						
	Alt	TFD/G	—	.089...43	.089...43	.089...43
		TFE/H	.089...43	.089...43	.089...43	.089...43
		TFP/K	.089...43	.104...37	.104...37	.104...37
		TFL	—	.082...45	.082...45	—
		TFM	.082...45	.082...45	.082...45	—
		TFN	.082...45	.094...42	.094...42	—
Thermostat Heat Anticipator Setting (amps)						
208/230 v and 575						
	Stage 1		.14	.14	.14	.14
	Stage 2		.14	.14	.14	.14
460 v						
	Stage 1		.14	.14	.14	.14
	Stage 2		.14	.14	.14	.14
Gas Input (Btuh)						
Standard Units (Stage 1/Stage 2)						
		TFD	—	—/74,000	—/74,000	—/74,000
		TFE	—/74,000	—/115,000	—/115,000	—/115,000
		TFP***	82,000/115,000	120,000/150,000	120,000/150,000	120,000/150,000
No NOx Units						
		TFG	—	72,000	72,000	—
		TFH	72,000	115,000	115,000	—
		TFK	115,000	150,000	150,000	—
Low NOx Units						
		TFL†††	—	60,000	60,000	—
		TFM†††	60,000	90,000	90,000	—
		TFN†††	90,000	120,000	120,000	—
Efficiency (Steady State) (%)			80¶	80	80	80
Temperature Rise Range						
		TFD/G	—	25-55	25-55	25-55
		TFE/H	25-55	35-65	35-65	35-65
		TFP/K	55-85	50-80	50-80	50-80
		TFL	—	20-50	20-50	—
		TFM	20-50	30-60	30-60	—
		TFN	30-65	40-70	40-70	—
Manifold Pressure (in. wg)						
Natural Gas			3.5	3.5	3.5	3.5
Liquid Propane			3.5	3.5	3.5	3.5
Gas Valve Quantity			1	1	1	1
Gas Valve Pressure Range						
		Psig	0.180-0.487	0.180-0.487	0.180-0.487	0.180-0.487
		in. wg	5.0-13.5	5.0-13.5	5.0-13.5	5.0-13.5
Field Gas Connection Size (in.)			1/2	1/2	1/2	1/2
<b>HIGH-PRESSURE SWITCH (psig)</b>						
Standard Compressor				450 ± 50		500 ± 50
Internal Relief (Differential)						
Cutout				428		428
Reset (Auto.)				320		320
<b>LOSS-OF-CHARGE (LOW-PRESSURE SWITCH) (psig)</b>						
Cutout					7 ± 3	
Reset (Auto.)					22 ± 7	
<b>FREEZE PROTECTION THERMOSTAT (F)</b>						
Opens					30 ± 5	
Closes					45 ± 5	
<b>OUTDOOR-AIR INLET SCREENS</b>				Cleanable. Screen size and quantity varies by option selected.		
<b>RETURN-AIR FILTERS</b>				Throwaway		
Quantity...Size (in.)				2...16 x 25 x 2		

LEGEND  
**Al** — Aluminum  
**Bhp** — Brake Horsepower  
**Cu** — Copper

\*Evaporator coil fin material/condenser coil fin material. Contact your local Carrier representative for details about coated fins.

†Weight of 14-in. roof curb.

\*\*Single phase/three-phase.

††Rollout switch lockout is manually reset by interrupting power to unit or resetting thermostat.

||48TFG, TFH, and TFK units are California compliant three-phase high heat models.

\*\*\*Three-phase standard high heat models have heating input values as shown. Single-phase standard high heat models have one-stage heating with heating input values as follows:  
 48TFE,TFM004 — 115,000 Btuh  
 48TFE,TFM005,006 — 150,000 Btuh

†††California SCAQMD compliant Low NO<sub>x</sub> models have combustion products that are controlled to 40 nanograms per joule or less.

¶Steady State Efficiency is 80% on all units except 48TFK004, which is 81%.

NOTE: High-static motor not available on single-phase units.

Table 1B — Physical Data — 48TM004-007

48TM UNIT SIZE	E/F/H/K/M/N004	D/E/F/G/H/K/L/M/N005	D/E/F/G/H/K/L/M/N006	D/E/F007
NOMINAL CAPACITY (tons)	3	4	5	6
OPERATING WEIGHT (lb)				
Unit				
Al/Al*	460	470	490	615
Economizer				
EconoMiSer IV	50	50	50	50
Roof Curb†	115	115	115	115
COMPRESSOR		Reciprocating		Scroll
Quantity	1	1	1	1
No. Cylinders (per Circuit)	2	2	2	2
Oil (oz)	50	50	50	60
REFRIGERANT TYPE		R-22		
Expansion Device		Acutrol™ Metering Device		
Operating Charge (lb-oz)				
Circuit 1	4-5	6-6	7-14	11-0
Circuit 2	—	—	—	—
CONDENSER COIL		Enhanced Copper Tubes, Aluminum Lanced Fins		
Rows...Fins/in.	1...17	2...17	2...17	2...17
Total Face Area (sq ft)	8.36	8.36	10.42	16.5
CONDENSER FAN		Propeller Type		
Nominal Cfm	3500	4000	4000	4100
Quantity...Diameter (in.)	1...22.0	1...22.0	1...22.0	1...22.0
Motor Hp...Rpm	1/4...1100	1/4...1100	1/4...1100	1/4...1100
Watts Input (Total)	325	325	325	320
EVAPORATOR COIL		Enhanced Copper Tubes, Aluminum Double-Wavy Fins, Face Split		
Rows...Fins/in.	2...15	2...15	3...15	4...15
Total Face Area (sq ft)	4.17	5.5	5.5	5.5
EVAPORATOR FAN		Centrifugal Type		
Quantity...Size (in.)	Std 1...10 x 10 Alt 1...10 x 10 High-Static 1...10 x 10	Std 1...10 x 10 Alt 1...10 x 10 High-Static 1...10 x 10	Std 1...11 x 10 Alt 1...10 x 10 High-Static 1...10 x 10	Std 1...10 x 10 Alt — High-Static 1...10 x 10
Type Drive	Std Direct Alt Belt High-Static Belt	Std Direct Alt Belt High-Static Belt	Std Direct Alt Belt High-Static Belt	Std Belt Alt — High-Static Belt
Nominal Cfm	1200	1600	2000	2100
Maximum Continuous Bhp	Std .34 Alt 1.20 High-Static 2.40	Std .75 Alt 1.20 High-Static 2.40	Std 1.20 Alt 1.30/2.40** High-Static 2.90	Std 2.40 Alt — High-Static 2.90
Motor Frame Size	Std 48 Alt 48 High-Static 56	Std 48 Alt 48 High-Static 56	Std 48 Alt 56 High-Static 56	Std 56 Alt — High-Static 56
Nominal Rpm High/Low (Direct Drive)	Std 860/800 Alt — High-Static —	Std 1075/970 Alt — High-Static —	Std 1075/1040 Alt — High-Static —	Std — Alt — High-Static —
Fan Rpm Range	Std — Alt 685-1045 High-Static 1075-1455	Std — Alt 770-1175 High-Static 1075-1455	Std — Alt 900-1300 High-Static 1300-1685	Std — Alt 1070-1460 High-Static 1300-1685
Motor Bearing Type	Std Ball	Std Ball	Std Ball	Std Ball
Maximum Allowable Rpm	2100	2100	2100	2100
Motor Pulley Pitch Diameter Min/Max (in.)	Std — Alt 1.9/2.9 High-Static 2.8/3.8	Std — Alt 1.9/2.9 High-Static 2.8/3.8	Std — Alt 2.8/3.8 High-Static 3.4/4.4	Std — Alt — High-Static 3.4/4.4
Nominal Motor Shaft Diameter (in.)	Std 1/2 Alt 1/2 High-Static 5/8	Std 1/2 Alt 1/2 High-Static 5/8	Std 1/2 Alt 5/8 High-Static 7/8	Std 5/8 Alt — High-Static 7/8
Fan Pulley Pitch Diameter (in.)	Std — Alt 4.5 High-Static 4.5	Std — Alt 4.0 High-Static 4.5	Std — Alt 5.5 High-Static 4.5	Std — Alt — High-Static 4.5
Belt, Quantity...Type...Length (in.)	Std — Alt 1...A...36 High-Static 1...A...39	Std — Alt 1...A...36 High-Static 1...A...39	Std — Alt 1...A...40 High-Static 1...A...40	Std — Alt — High-Static 1...A...40
Pulley Center Line Distance (in.)	Std — Alt 10.0-12.4 High-Static 10.0-12.4	Std — Alt 10.0-12.4 High-Static 10.0-12.4	Std — Alt 14.7-15.5 High-Static 14.7-15.5	Std — Alt — High-Static 14.7-15.5
Speed Change per Full Turn of Movable Pulley Flange (rpm)	Std — Alt 48 High-Static 65	Std — Alt 70 High-Static 65	Std — Alt 80 High-Static 60	Std — Alt — High-Static 60
Movable Pulley Maximum Full Turns From Closed Position	Std — Alt 5 High-Static 6	Std — Alt 5 High-Static 6	Std — Alt 5 High-Static 5	Std — Alt — High-Static 5
Factory Setting	Std — Alt 3 High-Static 3 1/2	Std — Alt 3 High-Static 3 1/2	Std — Alt 3 High-Static 3 1/2	Std — Alt — High-Static 3 1/2
Factory Speed Setting (rpm)	Std — Alt 829 High-Static 1233	Std — Alt 932 High-Static 1233	Std — Alt 1100 High-Static 1416	Std — Alt — High-Static 1416
Fan Shaft Diameter at Pulley (in.)	Std — Alt 5/8	Std — Alt 5/8	Std — Alt 5/8	Std — Alt 5/8

LEGEND

Al — Aluminum  
Bhp — Brake Horsepower  
Cu — Copper

\*Evaporator coil fin material/condenser coil fin material. Contact your local Carrier representative for details about coated fins.

†Weight of 14-in. roof curb.  
\*\*Single phase/three-phase.

††Rollout switch lockout is manually reset by interrupting power to unit or resetting thermostat.

‡‡48TMG, TMH, and TMK units are California compliant three-phase high heat models.

\*\*\*Three-phase standard models have heating input values as shown. Single-phase standard models have one-stage heating with heating input values as follows:

48TFF, TMF004 — 115,000 Btu/h  
48TFF, TMF005, 006 — 150,000 Btu/h

†††California SCAQMD compliant Low NO<sub>x</sub> models have combustion products that are controlled to 40 nanograms per joule or less.

¶Steady State Efficiency is 80% on all units except 48TMK004, which is 81%.

NOTE: High-static motor not available on single-phase units.

Table 1B — Physical Data — 48TM004-007 (cont)

48TM UNIT SIZE			E/F/H/K/M/N004	D/E/F/G/H/K/L/M/N005	D/E/F/G/H/K/L/M/N006	D/E/F007
<b>FURNACE SECTION</b>						
Rollout Switch Cutout Temp (F)††			195	195	195	195
Burner Orifice Diameter (in. ....drill size)						
Natural Gas	Std	TMD/GII	—	.113...33	.113...33	.113...33
		TME/HII	.113...33	.113...33	.113...33	.113...33
		TMF/KII	.113...33	.129...30	.129...30	.129...30
		TML	—	.102...38	.102...38	—
		TMM	.102...38	.102...38	.102...38	—
		TMN	.102...38	.116...32	.116...32	—
Liquid Propane	Alt	TMD/GII	—	.089...43	.089...43	.089...43
		TME/HII	.089...43	.089...43	.089...43	.089...43
		TMF/KII	.089...43	.104...37	.104...37	.104...37
Thermostat Heat Anticipator Setting (amps)						
208/230 v and 575 Stage 1			.14	.14	.14	.14
Stage 2			.14	.14	.14	.14
460 v Stage 1			.14	.14	.14	.14
Stage 2			.14	.14	.14	.14
Gas Input (Btuh)	Standard Units	TMD	—	—/74,000	—/74,000	—/74,000
	(Stage 1/Stage 2)	TME	—/74,000	—/115,000	—/115,000	—/115,000
		TMF***	82,000/115,000	120,000/150,000	120,000/150,000	120,000/150,000
	No NOx Units	TMGII	—	72,000	72,000	—
		TMHII	72,000	115,000	115,000	—
		TMKII	115,000	150,000	150,000	—
	Low NOx Units	TML†††	—	60,000	60,000	—
		TMM†††	60,000	90,000	90,000	—
		TMN†††	90,000	120,000	120,000	—
Efficiency (Steady State) (%)			80†	80	80	80
Temperature Rise Range		TMD/GII	—	25-55	25-55	25-55
		TME/HII	25-55	35-65	35-65	35-65
		TMF/KII	55-85	50-80	50-80	50-80
		TML	—	20-50	20-50	—
		TMM	20-50	30-60	30-60	—
		TMN	30-60	40-70	40-70	—
Manifold Pressure (in. wg)						
Natural Gas	Std		3.5	3.5	3.5	3.5
Liquid Propane	Alt		3.5	3.5	3.5	3.5
Gas Valve Quantity			1	1	1	1
Gas Valve Pressure Range						
Psig			0.180-0.487	0.180-0.487	0.180-0.487	0.180-0.487
in. wg			5.0-13.5	5.0-13.5	5.0-13.5	5.0-13.5
Field Gas Connection Size (in.)			1/2	1/2	1/2	1/2
<b>HIGH-PRESSURE SWITCH (psig)</b>						
Standard Compressor Internal Relief (Differential) Cutout				450 ± 50		500 ± 50
Reset (Auto.)				428		428
				320		320
<b>LOW-PRESSURE SWITCH (psig)</b>						
Cutout				7 ± 3		
Reset (Auto.)				22 ± 7		
<b>FREEZE PROTECTION THERMOSTAT (F)</b>						
Opens				30 ± 5		
Closes				45 ± 5		
<b>OUTDOOR-AIR INLET SCREENS</b>						
			Cleanable. Screen size and quantity varies by option selected.			
<b>RETURN-AIR FILTERS</b>						
Quantity...Size (in.)			Throwaway 2...16 x 25 x 2			

LEGEND

- Al — Aluminum
- Bhp — Brake Horsepower
- Cu — Copper

\*Evaporator coil fin material/condenser coil fin material. Contact your local Carrier representative for details about coated fins.

†Weight of 14-in. roof curb.

\*\*Single phase/three-phase.

††Rollout switch lockout is manually reset by interrupting power to unit or resetting thermostat.

||48TMG, TMH, and TMK units are California compliant three-phase high heat models.

\*\*\*Three-phase standard models have heating input values as shown. Single-phase standard high heat models have one-stage heating with heating input values as follows:

48TFF, TMF004 — 115,000 Btuh

48TFF, TMF005, 006 — 150,000 Btuh

†††California SCAQMD compliant Low NO<sub>x</sub> models have combustion products that are controlled to 40 nanograms per joule or less.

†Steady State Efficiency is 80% on all units except 48TMK004, which is 81%.

NOTE: High-static motor not available on single-phase units.



UNIT	STD. UNIT WEIGHT		ECONOMIZER IV WEIGHT		VERT. W/ P. E. LB	ECONOMIZER IV WEIGHT		(A) CORNER WEIGHT		(B) CORNER WEIGHT		(C) CORNER WEIGHT		(D) CORNER WEIGHT		"A" PANEL LENGTH
	LB	KG	LB	KG		LB	KG	LB	KG	LB	KG	LB	KG	LB	KG	
48T__004	460	209	50	22.7	90	40.9	140	63.5	105	47.6	159	72.1	56	25.4	1'-10 3/8" [568.0]	
48T__005	470	213					142	64.4	106	48.1	162	73.5	60	27.2	1'-10 3/8" [568.0]	
48T__006	490	222					150	68.0	115	52.2	160	72.6	65	29.5	1'-0 3/8" [315.0]	
48TF*007	565	256					165	74.8	136	61.7	200	90.7	64	29.0	1'-0 3/8" [315.0]	

- NOTES:
1. DIMENSIONS IN [ ] ARE IN MILLIMETERS.
  2. CENTER OF GRAVITY.
  3. DIRECTION OF AIR FLOW.

4. ON VERTICAL DISCHARGE UNITS, DUCTWORK TO BE ATTACHED TO ACCESSORY ROOF CURB ONLY. FOR HORIZONTAL DISCHARGE UNITS FIELD SUPPLIED FLANGES SHOULD BE ATTACHED TO HORIZONTAL DISCHARGE OPENINGS, AND ALL DUCTWORK SHOULD BE ATTACHED TO THE FLANGES.
5. MINIMUM CLEARANCE (LOCAL CODES OR JURISDICTION MAY PREVAIL):
  - a. BETWEEN UNIT, FLUE SIDE AND COMBUSTIBLE SURFACES, 36 IN., 18 IN. WHEN USING ACCESSORY FLUE DISCHARGE DEFLECTOR.
  - b. BOTTOM OF UNIT TO COMBUSTIBLE SURFACES (WHEN NOT USING CURB) 1 INCH. BOTTOM OF BASE RAIL TO COMBUSTIBLE SURFACES (WHEN NOT USING CURB) 0 INCHES.
  - c. CONDENSER COIL, FOR PROPER AIR FLOW, 36 INCHES ONE SIDE, 12 INCHES THE OTHER. THE SIDE GETTING THE GREATER CLEARANCE IS OPTIONAL.
  - d. OVERHEAD, 60 INCHES TO ASSURE PROPER CONDENSER FAN OPERATION.
  - e. BETWEEN UNITS, CONTROL BOX SIDE, 42 IN. PER NEC.
  - f. BETWEEN UNIT AND UNGROUNDED SURFACES, CONTROL BOX SIDE, 36 IN. PER NEC.
  - g. BETWEEN UNIT AND BLOCK OR CONCRETE WALLS AND OTHER GROUNDED SURFACES, CONTROL BOX SIDE, 42 IN. PER NEC.
  - h. HORIZONTAL SUPPLY AND RETURN END, 0 INCHES WHEN THE ALTERNATE CONDENSATE DRAIN IS USED.
6. WITH THE EXCEPTION OF THE CLEARANCE FOR THE CONDENSER COIL AND COMBUSTION SIDE AS STATED IN NOTE #5g, b, AND c, A REMOVABLE FENCE OR BARRICADE REQUIRES NO CLEARANCE.
7. UNITS MAY BE INSTALLED ON COMBUSTIBLE FLOORS MADE FROM WOOD OR CLASS A, B, OR C ROOF COVERING MATERIAL IF SET ON BASERAIL.
8. THE VERTICAL CENTER OF GRAVITY IS 1'-6" [457] UP FROM THE BOTTOM OF THE BASE RAIL.

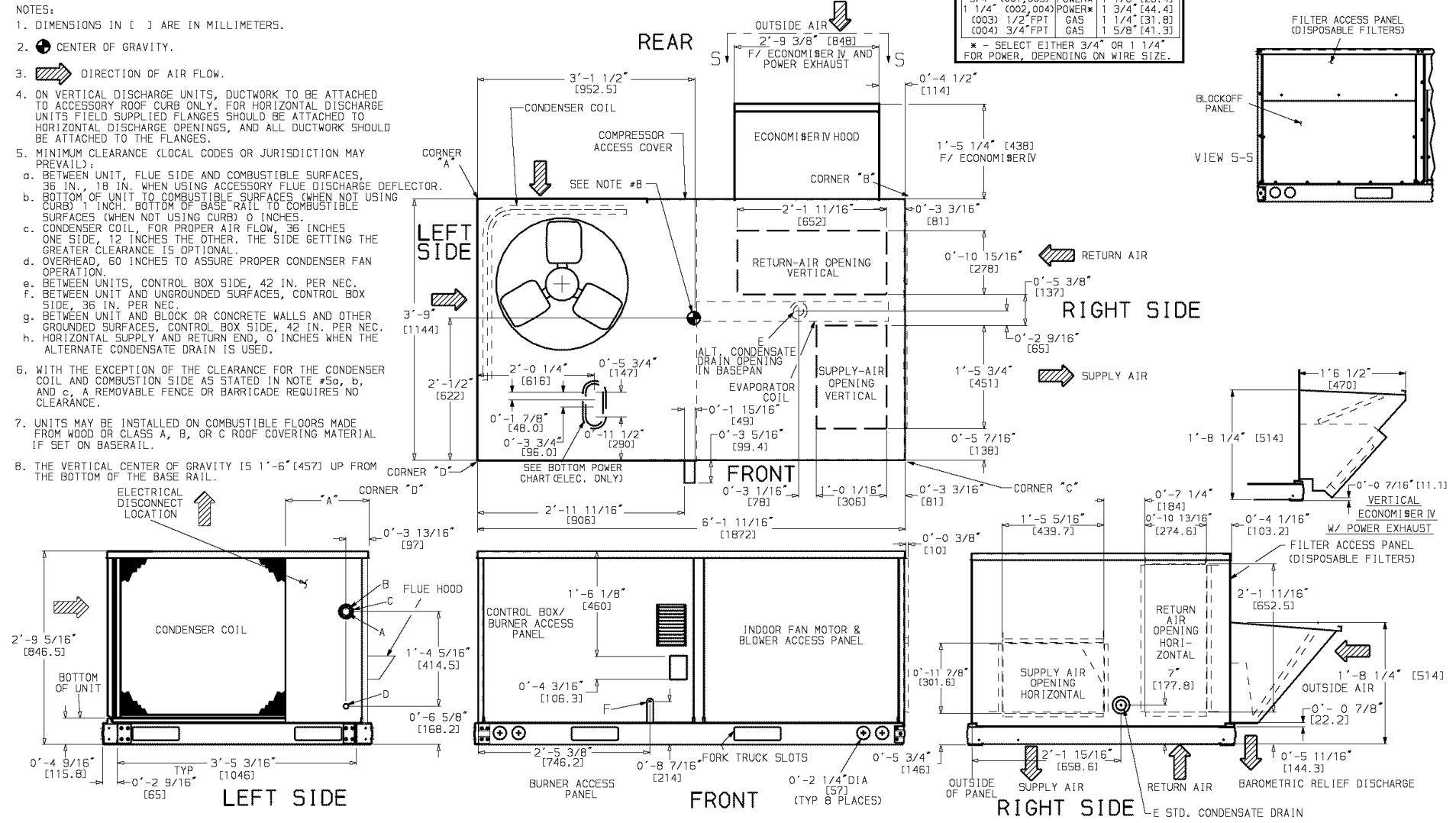


Fig. 6A — Base Unit Dimensions — 48TF, TM004-006 and 48TF007

UNIT	STD. UNIT WEIGHT		ECONOMIZER UNIT WEIGHT		VERT. ECON IV W/P.E. WEIGHT		(A) CORNER WEIGHT		(B) CORNER WEIGHT		(C) CORNER WEIGHT		(D) CORNER WEIGHT		"J"	
	LB	KG	LB	KG	LB	KG	LB	KG	LB	KG	LB	KG	LB	KG	FT -IN.	MM
48TM*007	615	279	50	22.7	90	40.9	147	66.7	142	64.4	160	72.6	166	75.3	2'-9 5/16"	846.5

**BOTTOM POWER CHART:**  
THESE HOLES REQ'D FOR USE WITH ACCESSORY PACKAGES - CRBTMPWR001A01, 2A01, 3A01, OR 4A01

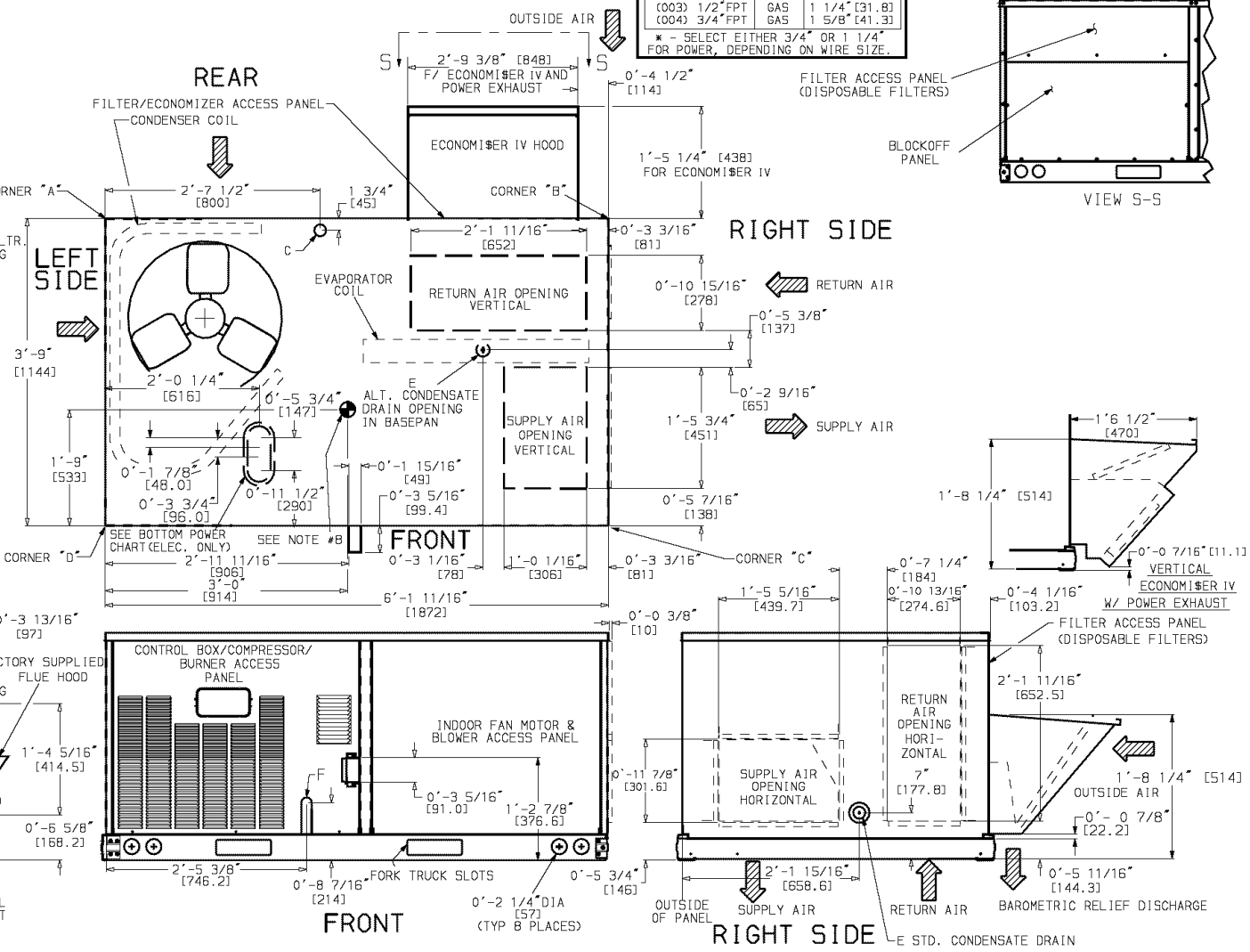
THREADED CONDUIT SIZE	WIRE USE	REQ'D HOLE SIZES (MAX.)
1/2"	ACC.	7/8" [22.2]
1/2"	24V	7/8" [22.2]
3/4" (001,003)	POWER*	1 1/8" [28.4]
1 1/4" (002,004)	POWER*	1 3/4" [44.4]
(003) 1/2" FPT	GAS	1 1/4" [31.8]
(004) 3/4" FPT	GAS	1 5/8" [41.3]

\* - SELECT EITHER 3/4" OR 1 1/4" FOR POWER, DEPENDING ON WIRE SIZE.

**CONNECTION SIZES**

A	1 3/8" DIA. [35]	FIELD POWER SUPPLY HOLE
B	2" DIA. [51]	POWER SUPPLY KNOCK-OUT
C	1 3/4" DIA. [44]	CHARGING PORT HOLE
D	7/8" DIA. [22]	FIELD CONTROL WIRING HOLE
E	3/4"-14 NPT	CONDENSATE DRAIN
F	1/2"-14 NPT	GAS CONNECTION
G	2 1/2" DIA. [64]	POWER SUPPLY KNOCK-OUT

- NOTES:**
- DIMENSIONS IN [ ] ARE IN MILLIMETERS.
  - CENTER OF GRAVITY.
  - DIRECTION OF AIR FLOW.
  - ON VERTICAL DISCHARGE UNITS, DUCTWORK TO BE ATTACHED TO ACCESSORY ROOF CURB ONLY. FOR HORIZONTAL DISCHARGE UNITS FIELD SUPPLIED FLANGES SHOULD BE ATTACHED TO HORIZONTAL DISCHARGE OPENINGS, AND ALL DUCTWORK SHOULD BE ATTACHED TO THE FLANGES.
  - MINIMUM CLEARANCE (LOCAL CODES OR JURISDICTION MAY PREVAIL):
    - BETWEEN UNIT, FLUE SIDE AND COMBUSTIBLE SURFACES, 36 IN., 18 IN. WHEN USING ACCESSORY FLUE DISCHARGE DEFLTR.
    - BOTTOM OF UNIT TO COMBUSTIBLE SURFACES (WHEN NOT USING CURB) 1 INCH.
    - BOTTOM OF BASE RAIL TO COMBUSTIBLE SURFACES (WHEN NOT USING CURB) 0 INCHES.
    - CONDENSER COIL, FOR PROPER AIR FLOW, 36 INCHES ONE SIDE, 12 INCHES THE OTHER. THE SIDE GETTING THE GREATER CLEARANCE IS OPTIONAL.
    - OVERHEAD, 60 INCHES TO ASSURE PROPER CONDENSER FAN OPERATION.
    - BETWEEN UNITS, CONTROL BOX SIDE, 42 IN. PER NEC.
    - BETWEEN UNIT AND UNGROUNDED SURFACES, CONTROL BOX SIDE, 36 IN. PER NEC.
    - BETWEEN UNIT AND BLOCK OR CONCRETE WALLS AND OTHER GROUNDED SURFACES, CONTROL BOX SIDE, 42 IN. PER NEC.
    - HORIZONTAL SUPPLY AND RETURN END, 0 INCHES WHEN THE ALTERNATE CONDENSATE DRAIN IS USED.
  - WITH THE EXCEPTION OF THE CLEARANCE FOR THE CONDENSER COIL AND COMBUSTION SIDE AS STATED IN NOTE #5a, b, AND c, A REMOVABLE FENCE OR BARRICADE REQUIRES NO CLEARANCE.
  - UNITS MAY BE INSTALLED ON COMBUSTIBLE FLOORS MADE FROM WOOD OR CLASS A, B, OR C ROOF COVERING MATERIAL IF SET ON BASE RAIL.
  - THE VERTICAL CENTER OF GRAVITY IS 1'-6" [457] UP FROM FROM THE BOTTOM OF THE BASE RAIL.



**Fig. 6B — Base Unit Dimensions — 48TM007**

Do not install unit in an indoor location. Do not locate unit air inlets near exhaust vents or other sources of contaminated air.

Be sure that unit is installed such that snow will not block the combustion intake or flue outlet.

Unit may be installed directly on wood flooring or on Class A, B, or C roof-covering material when roof curb is used.

Although unit is weatherproof, guard against water from higher level runoff and overhangs.

*Flue vent discharge must have a minimum horizontal clearance of 4 ft from electric and gas meters, gas regulators, and gas relief equipment.*

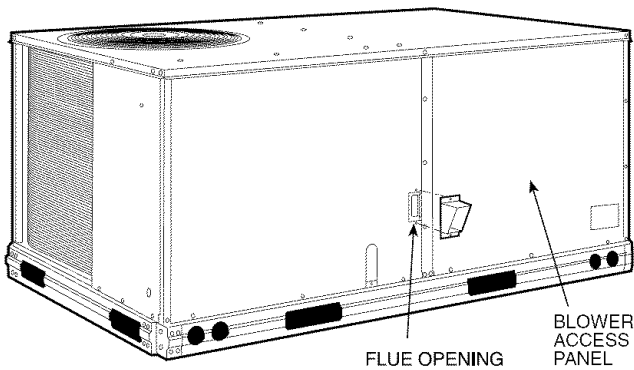
*Minimum distance between unit and other electrically live parts is 48 inches.*

Flue gas can deteriorate building materials. Orient unit such that flue gas will not affect building materials. Locate mechanical draft system flue assembly at least 48 in. from an adjacent building or combustible material.

Adequate combustion-air and ventilation-air space must be provided for proper operation of this equipment. Be sure that installation complies with all local codes and Section 5.3, Air for Combustion and Ventilation, NFGC (National Fuel Gas Code), and ANSI (American National Standards Institute) Z223.1, and NFPA (National Fire Protection Association) 54 TIA-54-84-1. In Canada, installation must be in accordance with the CAN1-B149 installation codes for gas burning appliances.

After unit is in position, remove rigging skids and shipping materials.

**Step 5 — Install Flue Hood** — Flue hood is shipped screwed to the basepan beside the burner compartment access panel. Remove from shipping location and using screws provided, install flue hood and screen in location shown in Fig. 7.



**Fig. 7 — Flue Hood Details**

**Step 6 — Install Gas Piping** — Unit is equipped for use with type of gas shown on nameplate. Refer to local building codes, or in the absence of local codes, to ANSI Z223.1 entitled National Fuel Gas Code. In Canada, installation must be in accordance with the CAN1.B149.1 and CAN1.B149.2 installation codes for gas burning appliances.

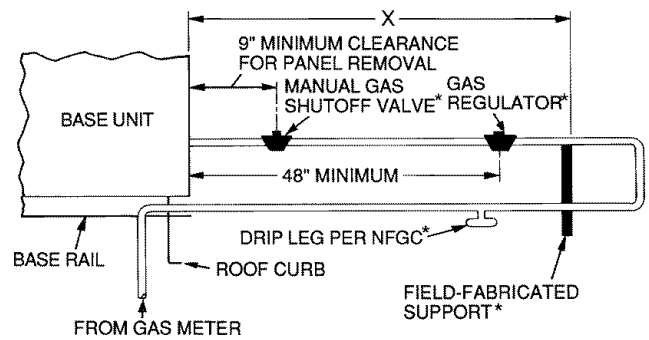
*For natural gas applications, gas pressure at unit gas connection must not be less than 4 in. wg or greater than 13.0 in. wg while unit is operating. On 48TF005.006.007 high heat units, the gas pressure at unit gas connection must not be less than 5 in. wg or greater than 13 in. wg while the unit is operating. For propane applications, the gas pressure must not be less than 5 in. wg or greater than 13 in. wg at the unit connection.*

*Size gas supply piping for 0.5 in. wg maximum pressure drop. Do not use supply pipe smaller than unit gas connection. Support gas piping as shown in the table in Fig. 8. For example, a 3/4-in. gas pipe must have one field-fabricated support beam every 8 ft. Therefore, an 18-ft long gas pipe would have a minimum of 2 support beams, a 48-ft long pipe would have a minimum of 6 support beams.*

See Fig. 8 for typical pipe guide and locations of external manual main shutoff valve.

**⚠ CAUTION**

When connecting the gas line to the unit gas valve, the installer **MUST** use a backup wrench to prevent damage to the valve.



**LEGEND**  
**NFGC** — National Fuel Gas Code  
 \*Field supplied.  
**NOTE:** Follow all local codes.

SPACING OF SUPPORTS	
STEEL PIPE NOMINAL DIAMETER (in.)	X DIMENSIONS (feet)
1/2	6
3/4 or 1	8
1 1/4 or larger	10

**Fig. 8 — Gas Piping Guide (With Accessory Thru-the-Curb Service Connections)**

## Step 7 — Make Electrical Connections

### ⚠ WARNING

Unit cabinet must have an uninterrupted, unbroken electrical ground to minimize the possibility of personal injury if an electrical fault should occur. This ground may consist of electrical wire connected to unit ground lug in control compartment, or conduit approved for electrical ground when installed in accordance with NEC (National Electrical Code), ANSI/NFPA, latest edition, and local electrical codes. *Do not use gas piping as an electrical ground.* Failure to follow this warning could result in the installer being liable for personal injury of others.

**FIELD POWER SUPPLY** — All units except 208/230-v units are factory wired for the voltage shown on the nameplate. *If the 208/230-v unit is to be connected to a 208-v power supply, the transformer must be rewired by moving the black wire with the 1/4-in. female space connector from the 230-volt connection and moving to the 200-volt 1/4-in. male terminal on the primary side of the transformer.*

Refer to unit label diagram for additional information. Pig-tails are provided for field wire connections. Use factory-supplied splices or UL (Underwriters' Laboratories) approved copper/aluminum connector.

*When installing units, provide a disconnect per the NEC.*

*All field wiring must comply with NEC and local requirements.*

Install field wiring as follows:

1. Install conduit through side panel openings. Install conduit between disconnect and control box.
2. Install power lines to terminal connections as shown in Fig. 9.

Voltage to compressor terminals during operation must be within voltage range indicated on unit nameplate (see Tables 2A and 2B). On 3-phase units, voltages between phases must be balanced within 2% and the current within 10%. Use the formula shown in the legend for Tables 2A and 2B, Note 2 to determine the percent of voltage imbalance. Operation on improper line voltage or excessive phase imbalance constitutes abuse and may cause damage to electrical components. Such operation would invalidate any applicable Carrier warranty.

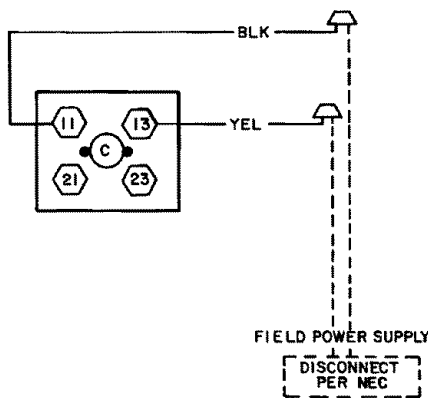
**FIELD CONTROL WIRING** — *Install a Carrier-approved accessory thermostat assembly according to installation instructions included with the accessory.* Locate thermostat assembly on a solid wall in the conditioned space to sense average temperature in accordance with thermostat installation instructions. Connect thermostat wires to terminal board.

Route thermostat cable or equivalent single leads of colored wire from subbase terminals through connector on unit to low-voltage connections (shown in Fig. 10).

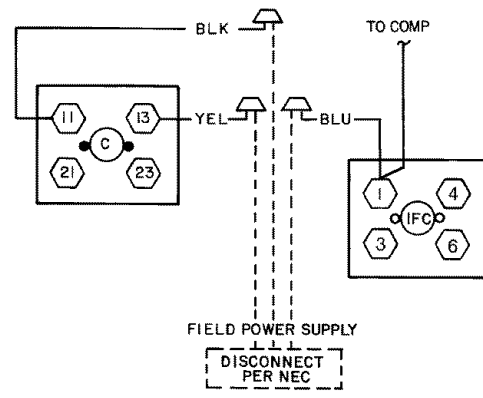
**NOTE:** For wire runs up to 50 ft, use no. 18 AWG (American Wire Gage) insulated wire (35 C minimum). For 50 to 75 ft, use no. 16 AWG insulated wire (35 C minimum). For over 75 ft, use no. 14 AWG insulated wire (35 C minimum). All wire larger than no. 18 AWG cannot be directly connected to the thermostat and will require a junction box and splice at the thermostat.

Pass the control wires through the hole provided in the corner post; then feed wires through the raceway built into the corner post to the 24-v barrier located on the left side of the control box. See Fig. 11. The raceway provides the UL required clearance between high and low-voltage wiring.

**HEAT ANTICIPATOR SETTINGS** — Set heat anticipator settings at 0.14 amp for the first stage and 0.14 amp for second-stage heating, when available.



208/230-1-60

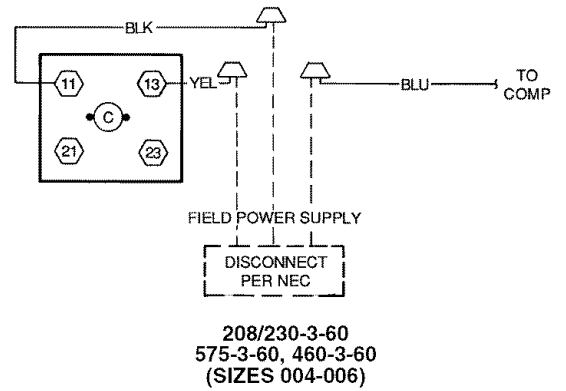
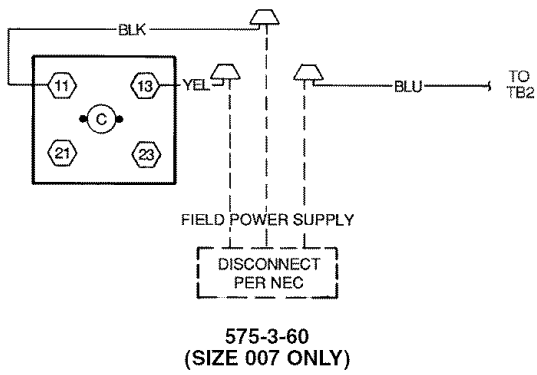


208/230-3-60  
460-3-60  
(SIZE 007 ONLY)

#### LEGEND

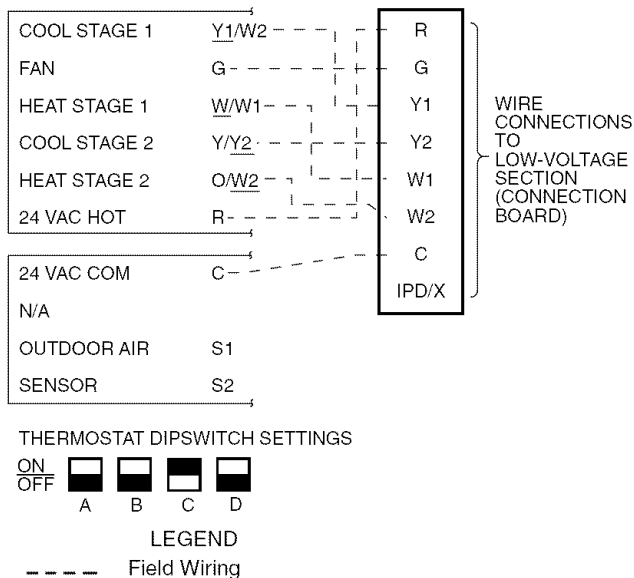
- C — Contactor
- COMP — Compressor
- IFC — Indoor-Fan Contactor
- NEC — National Electrical Code
- TB — Terminal Block

Fig. 9 — Power Wiring Connections



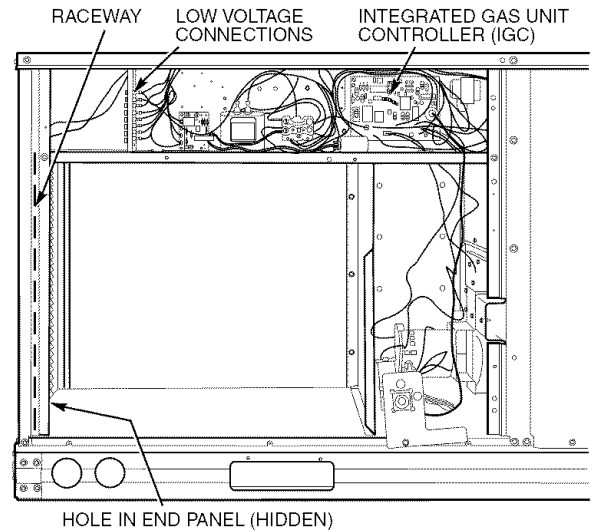
- LEGEND**
- C** — Contactor
  - COMP** — Compressor
  - IFC** — Indoor-Fan Contactor
  - NEC** — National Electrical Code
  - TB** — Terminal Block

**Fig. 9 — Power Wiring Connections (cont)**



NOTE: Underlined letter indicates active thermostat output when configured for A/C operation.

**Fig. 10 — Low-Voltage Connections**



**Fig. 11 — Field Control Wiring Raceway**

**Table 2A — Electrical Data (Without Convenience Outlet)**

UNIT	NOMINAL VOLTAGE	IFM TYPE	VOLTAGE RANGE		COMPR (ea)		OFM (ea)		IFM FLA	COMBUSTION FAN MOTOR FLA	POWER SUPPLY		DISCONNECT SIZE*						
			Min	Max	RLA	LRA	Hp	FLA			MCA	MOCP†	FLA	LRA					
48TF, TM004 (3 Tons)	208/230-1-60	Std	187	254	16.2	96.0	1/4	1.4	3.5	.6	25.2/25.2	30/30	24/24	106/106					
		Alt													4.9	26.6/26.6	35/35	26/26	111/111
		High																	
	208/230-3-60	Std	187	254	10.2	75.0	1/4	1.4	3.5	.6	17.7/17.7	25/25	17/17	85/ 85					
		Alt													4.9	19.1/19.1	25/25	19/19	90/ 90
		High																	
	460-3-60	Std	414	508	4.4	40.0	1/4	0.8	1.3	.3	7.6	15	7	44					
		Alt													2.1	8.4	15	8	48
		High																	
	575-3-60	Std	518	632	3.7	31.0	1/4	0.8	1.3	.3	5.5	15	6	35					
		Alt													2.1	6.0	15	7	37
		High																	
48TF, TM005 (4 Tons)	208/230-1-60	Std	187	254	23.3	118.0	1/4	1.4	3.5	.6	34.0/34.0	40/40	32/32	129/129					
		Alt													4.9	35.4/35.4	45/45	34/34	133/133
		High																	
	208/230-3-60	Std	187	254	15.4	90.0	1/4	1.4	3.5	.6	24.2/24.2	30/30	23/23	101/101					
		Alt													4.9	25.6/25.6	30/30	25/25	105/105
		High																	
	460-3-60	Std	414	508	8.3	45.0	1/4	0.8	1.8	.3	13.0	20	13	51					
		Alt													2.1	13.3	20	13	53
		High																	
	575-3-60	Std	518	632	6.4	36.0	1/4	0.8	1.8	.3	9.2	15	10	41					
		Alt													2.1	9.3	15	10	42
		High																	
48TF, TM006 (5 Tons)	208/230-1-60	Std	187	254	28.8	147.0	1/4	1.4	5.9	.6	43.3/43.3	60/60	42/42	161/161					
		Alt													6.6	44.0/44.0	60/60	42/42	184/184
		High																	
	208/230-3-60	Std	187	254	16.0	114.0	1/4	1.4	5.9	.6	27.3/27.3	35/35	27/27	128/128					
		Alt													5.2	26.6/26.6	35/35	26/26	148/148
		High																	
	460-3-60	Std	414	508	7.4	64.0	1/4	0.8	3.1	.3	13.2	20	13	71					
		Alt													2.6	13.5	20	13	81
		High																	
	575-3-60	Std	518	632	6.2	52.0	1/4	0.8	3.1	.3	9.7	15	11	58					
		Alt													2.6	9.9	15	11	65
		High																	
48TF007 (6 Tons)	208/230-3-60	Std	187	254	20.6	146.0	1/4	1.4	5.2	.6	32.4/32.4	40/40	31/31	180/180					
		High													7.5	34.7/34.7	40/40	34/34	205/205
	460-3-60	Std	414	508	9.5	73.0	1/4	0.9	2.6	.3	15.4	20	15	90					
		High													3.4	16.2	20	16	103
	575-3-60	Std	518	632	7.6	58.4	1/4	0.6	2.6	.3	11.4	15	12	75					
		High													3.4	11.9	15	13	86
48TM007 (6 Tons)	208/230-3-60	Std	187	254	20.6	146.0	1/4	1.4	5.2	.6	32.4/32.4	40/40	31/31	180/180					
		High													7.5	34.7/34.7	40/40	34/34	205/205
	460-3-60	Std	414	508	9.5	73.0	1/4	0.9	2.6	.3	15.4	20	15	90					
		High													3.4	16.2	20	16	103
	575-3-60	Std	518	632	7.6	58.4	1/4	0.6	2.6	.3	11.4	15	12	79					
		High													3.4	11.9	15	13	86

**LEGEND**

- FLA — Full Load Amps
- HACR — Heating, Air Conditioning and Refrigeration
- IFM — Indoor (Evaporator) Fan Motor
- LRA — Locked Rotor Amps
- MCA — Minimum Circuit Amps
- MOCP — Maximum Overcurrent Protection
- NEC — National Electrical Code
- OFM — Outdoor (Condenser) Fan Motor
- RLA — Rated Load Amps



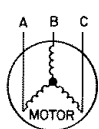
\*Used to determine minimum disconnect per NEC.  
†Fuse or HACR circuit breaker.

**NOTES:**

- In compliance with NEC requirements for multimotor and combination load equipment (refer to NEC Articles 430 and 440), the overcurrent protective device for the unit shall be fuse or HACR breaker. Canadian units may be fuse or circuit breaker.
- Unbalanced 3-Phase Supply Voltage**  
Never operate a motor where a phase imbalance in supply voltage is greater than 2%. Use the following formula to determine the percent of voltage imbalance.

$$\% \text{ Voltage Imbalance} = 100 \times \frac{\text{max voltage deviation from average voltage}}{\text{average voltage}}$$

Example: Supply voltage is 460-3-60.



AB = 452 v  
BC = 464 v  
AC = 455 v

$$\text{Average Voltage} = \frac{452 + 464 + 455}{3} = \frac{1371}{3} = 457$$

Determine maximum deviation from average voltage.  
(AB) 457 - 452 = 5 v  
(BC) 464 - 457 = 7 v  
(AC) 457 - 455 = 2 v

Maximum deviation is 7 v.  
Determine percent of voltage imbalance.

$$\% \text{ Voltage Imbalance} = 100 \times \frac{7}{457} = 1.53\%$$

This amount of phase imbalance is satisfactory as it is below the maximum allowable 2%.

**IMPORTANT:** If the supply voltage phase imbalance is more than 2%, contact your local electric utility company immediately.

- For units with power exhaust: If a single power source is to be used, size wire to include power exhaust MCA and MOCP. Check MCA and MOCP when power exhaust is powered through the unit (must be in accordance with NEC and/or local codes). Determine the new MCA including the power exhaust using the following formula:

MCA New = MCA unit only + MCA of Power Exhaust  
For example, using a 48TF006--5 unit with MCA = 28.9 and MOCP = 35, with CRPWREXH030A00 power exhaust.

MCA New = 28.9 amps + 1.6 amps = 30.5 amps  
If the new MCA does not exceed the published MOCP, then MOCP would not change. The MOCP in this example is 35 amps, the MCA New is below 35, therefore the MOCP is acceptable. If "MCA New" is larger than the published MOCP, raise the MOCP to the next larger size. For separate power, the MOCP for the power exhaust will be 15 amps per NEC.

POWER EXHAUST PART NO.	MCA (230 v)	MCA (460 v)	MCA (575 v)	MOCP (for separate power source)
CRPWREXH030A00	1.6	N/A	0.64	15
CRPWREXH021A00	N/A	0.9	N/A	15
CRPWREXH022A00	3.3	N/A	1.32	15
CRPWREXH023A00	N/A	1.8	N/A	15
CRPWREXH028A00	1.7	N/A	0.68	15
CRPWREXH029A00	N/A	1.0	N/A	15

**Table 2B — Electrical Data (With Convenience Outlet)**

UNIT	NOMINAL VOLTAGE	IFM TYPE	VOLTAGE RANGE		COMPR (ea)		OFM (ea)		IFM FLA	COMBUSTION FAN MOTOR FLA	POWER SUPPLY		DISCONNECT SIZE*						
			Min	Max	RLA	LRA	Hp	FLA			MCA	MOCP†	FLA	LRA					
48TF.TM004 (3 Tons)	208/230-1-60	Std	187	254	16.2	96.0	1/4	1.4	3.5	.6	31.2/31.2	35/35	30/30	111/111					
		Alt													4.9	32.6/32.6	40/40	31/31	116/116
		High																	
	208/230-3-60	Std	187	254	10.2	75.0	1/4	1.4	3.5	.6	22.5/22.5	25/25	23/23	90/ 90					
		Alt													4.9	23.9/23.9	30/30	25/25	95/ 95
		High																	
	460-3-60	Std	414	508	4.4	40.0	1/4	0.8	1.3	.3	9.8	15	10	47					
		Alt													2.1	10.6	15	11	50
		High																	
	575-3-60	Std	518	632	3.7	31.0	1/4	0.8	1.3	.3	7.2	15	8	36					
		Alt													2.1	7.7	15	9	39
		High																	
48TF.TM005 (4 Tons)	208/230-1-60	Std	187	254	23.3	118.0	1/4	1.4	3.5	.6	40.0/40.0	45/45	38/38	134/134					
		Alt													4.9	41.4/41.4	50/50	40/40	138/138
		High																	
	208/230-3-60	Std	187	254	15.4	90.0	1/4	1.4	3.5	.6	29.0/29.0	35/35	29/29	106/106					
		Alt													4.9	30.4/30.4	35/35	30/30	110/110
		High																	
	460-3-60	Std	414	508	8.3	45.0	1/4	0.8	1.8	.3	15.2	20	15	53					
		Alt													2.1	15.5	20	15	55
		High																	
	575-3-60	Std	518	632	6.4	36.0	1/4	0.8	1.8	.3	10.9	15	12	42					
		Alt													2.1	11.1	15	12	44
		High																	
48TF.TM006 (5 Tons)	208/230-1-60	Std	187	254	28.8	147.0	1/4	1.4	5.9	.6	49.3/49.3	60/60	47/47	166/166					
		Alt													6.6	50.0/50.0	60/60	48/48	188/188
		High																	
	208/230-3-60	Std	187	254	16.0	114.0	1/4	1.4	5.9	.6	32.1/32.1	40/40	32/32	133/133					
		Alt													5.2	31.4/31.4	40/40	32/32	153/153
		High																	
	460-3-60	Std	414	508	7.4	64.0	1/4	0.8	3.1	.3	15.3	20	15	74					
		Alt													2.6	15.6	20	15	83
		High																	
	575-3-60	Std	518	632	6.2	52.0	1/4	0.8	3.1	.3	11.5	15	13	60					
		Alt													2.6	11.7	15	12	67
		High																	
48TF007 (6 Tons)	208/230-3-60	Std	187	254	20.6	146.0	1/4	1.4	5.2	.6	37.2/37.2	45/45	37/37	184/184					
		High													7.5	39.5/39.5	45/45	39/39	210/210
	460-3-60	Std	414	508	9.5	73.0	1/4	0.6	2.6	.3	17.6	20	17	92					
		High													3.4	18.4	25	18	105
	575-3-60	Std	518	632	7.6	58.4	1/4	0.6	2.6	.3	13.1	20	14	77					
		High													3.4	13.7	20	15	90
48TM007 (6 Tons)	208/230-3-60	Std	187	254	20.6	146.0	1/4	1.4	5.2	.6	37.2/37.2	45/45	37/37	184/184					
		High													7.5	39.5/39.5	45/45	39/39	210/210
	460-3-60	Std	414	508	9.5	73.0	1/4	0.6	2.6	.3	17.6	20	17	92					
		High													3.4	18.4	25	18	105
	575-3-60	Std	518	632	7.6	58.4	1/4	0.6	2.6	.3	13.1	20	14	77					
		High													3.4	13.7	20	15	90

**LEGEND**

- FLA — Full Load Amps
- HACR — Heating, Air Conditioning and Refrigeration
- IFM — Indoor (Evaporator) Fan Motor
- LRA — Locked Rotor Amps
- MCA — Minimum Circuit Amps
- MOCP — Maximum Overcurrent Protection
- NEC — National Electrical Code
- OFM — Outdoor (Condenser) Fan Motor
- RLA — Rated Load Amps



\*Used to determine minimum disconnect per NEC.  
†Fuse or HACR circuit breaker.

**NOTES:**

- In compliance with NEC requirements for multimotor and combination load equipment (refer to NEC Articles 430 and 440), the overcurrent protective device for the unit shall be fuse or HACR breaker. Canadian units may be fuse or circuit breaker.

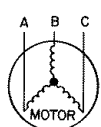
**2. Unbalanced 3-Phase Supply Voltage**

Never operate a motor where a phase imbalance in supply voltage is greater than 2%. Use the following formula to determine the percent of voltage imbalance.

% Voltage Imbalance

$$= 100 \times \frac{\text{max voltage deviation from average voltage}}{\text{average voltage}}$$

Example: Supply voltage is 460-3-60.



AB = 452 v  
BC = 464 v  
AC = 455 v

$$\text{Average Voltage} = \frac{452 + 464 + 455}{3}$$

$$= \frac{1371}{3}$$

$$= 457$$

Determine maximum deviation from average voltage.

- (AB) 457 - 452 = 5 v
- (BC) 464 - 457 = 7 v
- (AC) 457 - 455 = 2 v

Maximum deviation is 7 v.

Determine percent of voltage imbalance.

$$\% \text{ Voltage Imbalance} = 100 \times \frac{7}{457} = 1.53\%$$

This amount of phase imbalance is satisfactory as it is below the maximum allowable 2%.

**IMPORTANT:** If the supply voltage phase imbalance is more than 2%, contact your local electric utility company immediately.

- For units with power exhaust: If a single power source is to be used, size wire to include power exhaust MCA and MOCP. Check MCA and MOCP when power exhaust is powered through the unit (must be in accordance with NEC and/or local codes). Determine the new MCA including the power exhaust using the following formula:

MCA New = MCA unit only + MCA of Power Exhaust

For example, using a 48TF006--5 unit with MCA = 28.9 and MOCP = 35, with CRPWREXH030A00 power exhaust.

MCA New = 28.9 amps + 1.6 amps = 30.5 amps

If the new MCA does not exceed the published MOCP, then MOCP would not change. The MOCP in this example is 35 amps, the MCA New is below 35, therefore the MOCP is acceptable. If "MCA New" is larger than the published MOCP, raise the MOCP to the next larger size. For separate power, the MOCP for the power exhaust will be 15 amps per NEC.

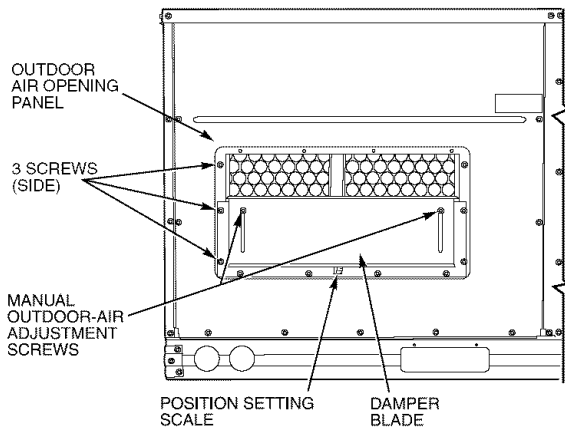
POWER EXHAUST PART NO.	MCA (230 v)	MCA (460 v)	MCA (575 v)	MOCP (for separate power source)
CRPWREXH030A00	1.6	N/A	0.64	15
CRPWREXH021A00	N/A	0.9	N/A	15
CRPWREXH022A00	3.3	N/A	1.32	15
CRPWREXH023A00	N/A	1.8	N/A	15
CRPWREXH028A00	1.7	N/A	0.68	15
CRPWREXH029A00	N/A	1.0	N/A	15

## Step 8 — Adjust Factory-Installed Options

**MANUAL OUTDOOR-AIR DAMPER** — The outdoor-air hood and screen are attached to the basepan at the bottom of the unit for shipping.

### Assembly:

1. Determine quantity of ventilation required for building. Record amount for use in Step 8.
2. Remove and save outdoor air opening panel and screws. See Fig. 12.
3. Remove evaporator coil access panel. Separate hood and screen from basepan by removing the 4 screws securing them. Save all screws.
4. Replace evaporator coil access panel.
5. Place hood on front of outdoor air opening panel. See Fig. 13 for hood details. Secure top of hood with the 4 screws removed in Step 3. See Fig. 14.
6. Remove and save 6 screws (3 on each side) from sides of the manual outdoor-air damper.

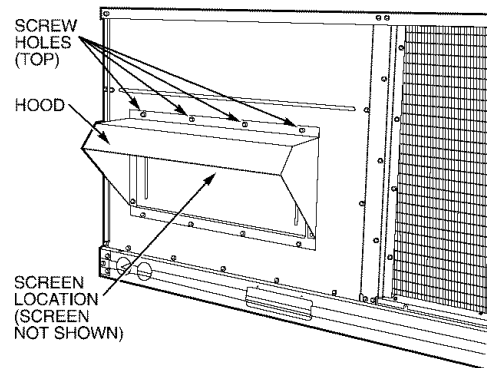


**Fig. 12 — Damper Panel with Manual Outdoor-Air Damper Installed**

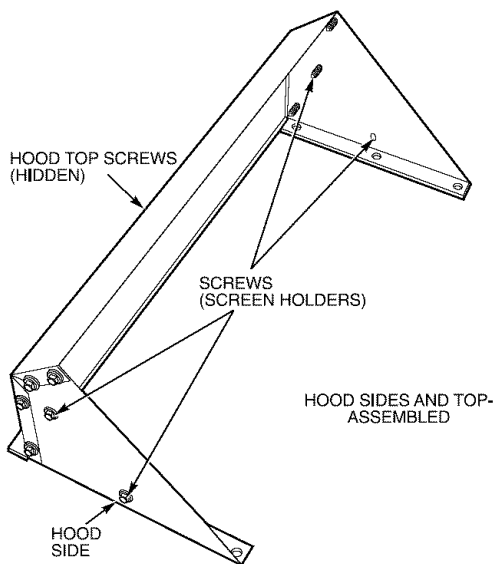
7. Align screw holes on hood with screw holes on side of manual outdoor-air damper. See Fig. 13 and 14. Secure hood with 6 screws from Step 6.
8. Adjust minimum position setting of the damper blade by adjusting the manual outdoor-air adjustment screws on the front of the damper blade. See Fig. 12. Slide blade vertically until it is in the appropriate position determined by Fig. 15. Tighten screws.
9. Remove and save screws currently on sides of hood. Insert screen. Secure screen to hood using the screws. See Fig. 14.

**CONVENIENCE OUTLET** — An optional convenience outlet provides power for rooftop use. For maintenance personnel safety, the convenience outlet power is off when the unit disconnect is off. Adjacent unit outlets may be used for service tools. An optional “Hot Outlet” is available from the factory as a special order item.

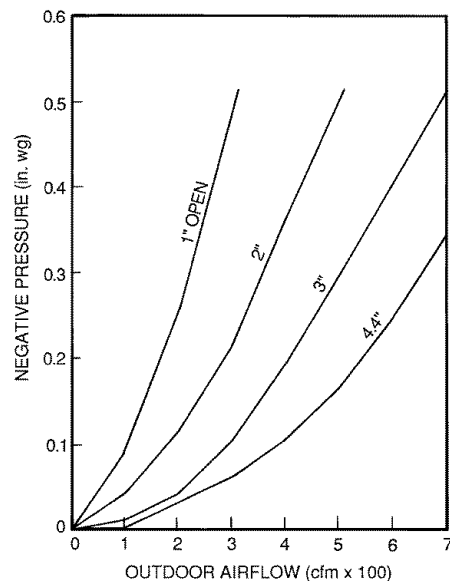
**NOVAR CONTROLS** — Optional Novar controls (ETM 3051) are available for replacement or new construction jobs.



**Fig. 14 — Outdoor-Air Damper with Hood Attached**



**Fig. 13 — Outdoor-Air Hood Details**



**Fig. 15 — Outdoor-Air Damper Position Setting**



**PREMIERLINK™ CONTROL** — The PremierLink controller is compatible with Carrier Comfort Network® (CCN) devices. This control is designed to allow users the access and ability to change factory-defined settings, thus expanding the function of the standard unit control board. Carrier's diagnostic standard tier display tools such as Navigator™ or Scrolling Marquee can be used with the PremierLink controller.

The PremierLink controller (see Fig. 16A and 16B) requires the use of a Carrier electronic thermostat or a CCN connection for time broadcast to initiate its internal timeclock. This is necessary for broadcast of time of day functions (occupied/unoccupied). No sensors are supplied with the field-mounted PremierLink control. The factory-installed PremierLink control includes only the supply-air sensor (SAT) and the outdoor air temperature sensor (OAT) as standard. An indoor air quality (CO<sub>2</sub>) sensor can be added as an option. Refer to Table 3 for sensor usage. Refer to Fig. 17 for PremierLink controller wiring. The PremierLink control may be mounted in the control panel or an area below the control panel.

**NOTE:** PremierLink controller versions 1.3 and later are shipped in Sensor mode. If used with a thermostat, the PremierLink controller must be configured to Thermostat mode.

**Install the Supply Air Temperature Sensor (SAT)** — When the unit is supplied with a factory-mounted PremierLink control, the supply-air temperature (SAT) sensor (33ZCSENSAT) is factory-supplied and wired. The wiring is routed from the PremierLink control over the control box, through a grommet, into the fan section, down along the back side of the fan, and along the fan deck over to the supply-air opening.

The SAT probe is wire-tied to the supply-air opening (on the horizontal opening end) in its shipping position. Remove the sensor for installation. Re-position the sensor in the flange of the supply-air opening or in the supply air duct (as required by local codes). Drill or punch a 1/2-in. hole in the flange or duct. Use two field-supplied, self-drilling screws to secure the sensor probe in a horizontal orientation.

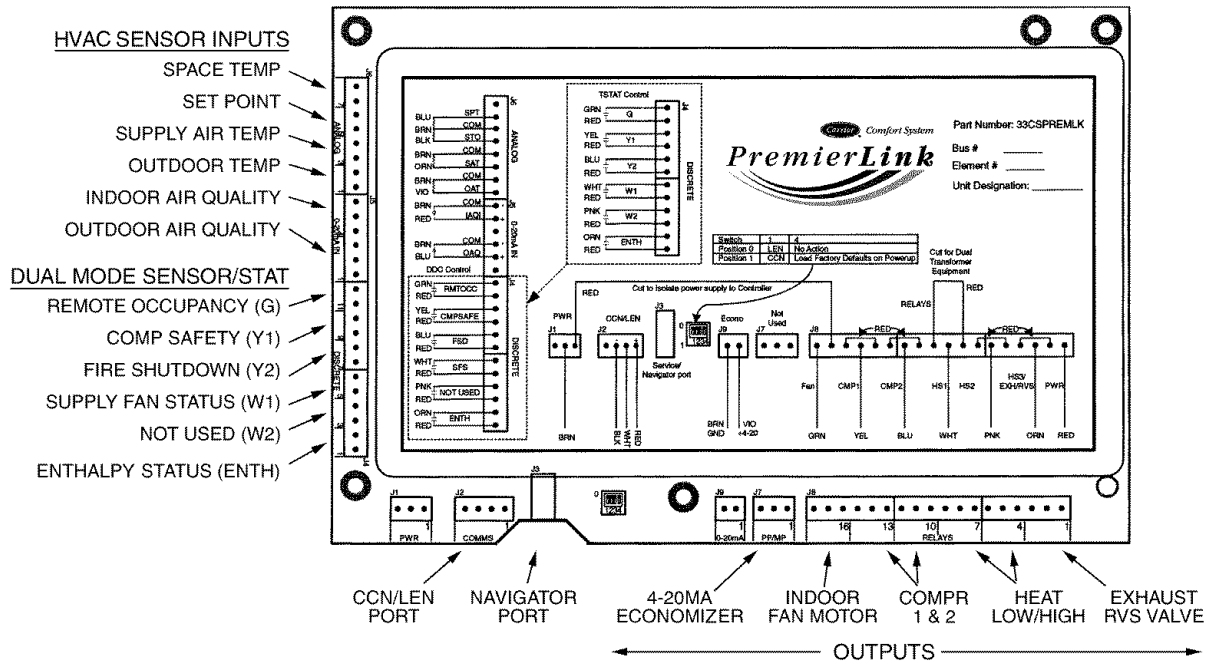
**NOTE:** The sensor must be mounted in the discharge airstream downstream of the cooling coil and any heating devices. Be sure the probe tip does not come in contact with any of the unit or heat surfaces.

**Outdoor Air Temperature Sensor (OAT)** — When the unit is supplied with a factory-mounted PremierLink control, the outdoor-air temperature sensor (OAT) is factory-supplied and wired.

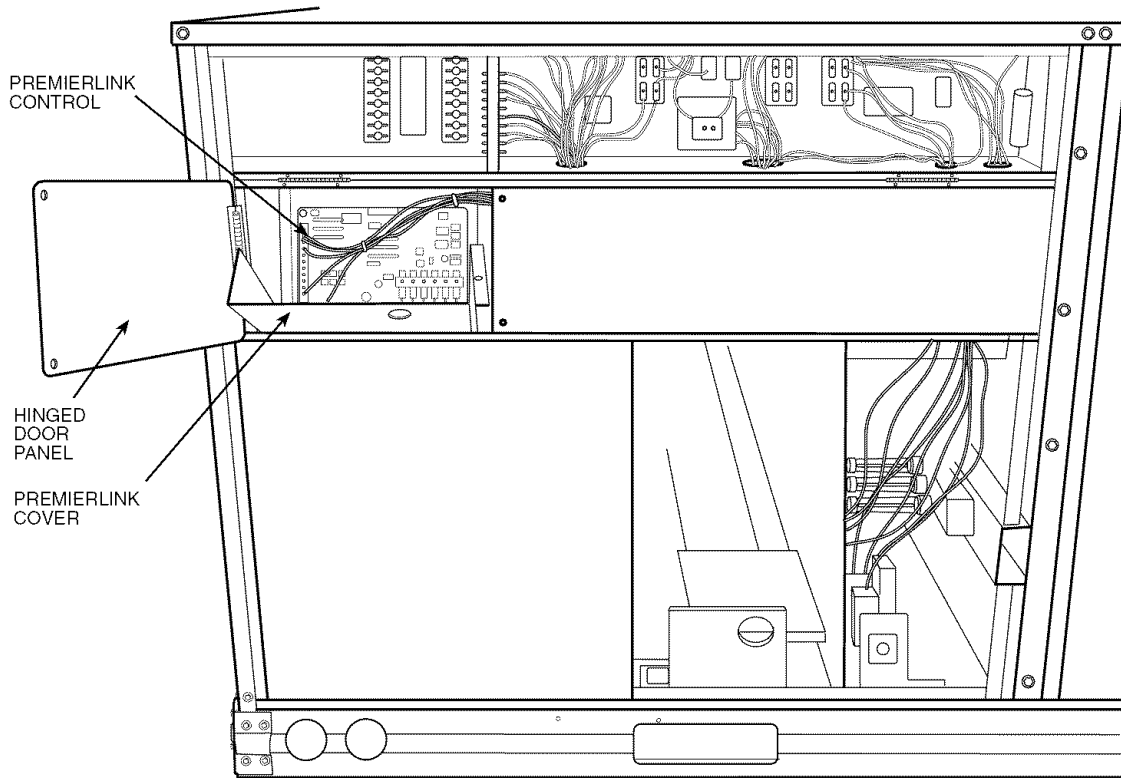
**Install the Indoor Air Quality (CO<sub>2</sub>) Sensor** — Mount the optional indoor air quality (CO<sub>2</sub>) sensor according to manufacturer specifications.

A separate field-supplied transformer must be used to power the CO<sub>2</sub> sensor.

Wire the CO<sub>2</sub> sensor to the COM and IAQI terminals of J5 on the PremierLink controller. Refer to the PremierLink Installation, Start-up, and Configuration Instructions for detailed wiring and configuration information.



**Fig. 16A — PremierLink Controller**



**Fig. 16B — PremierLink™ Controller (Installed)**

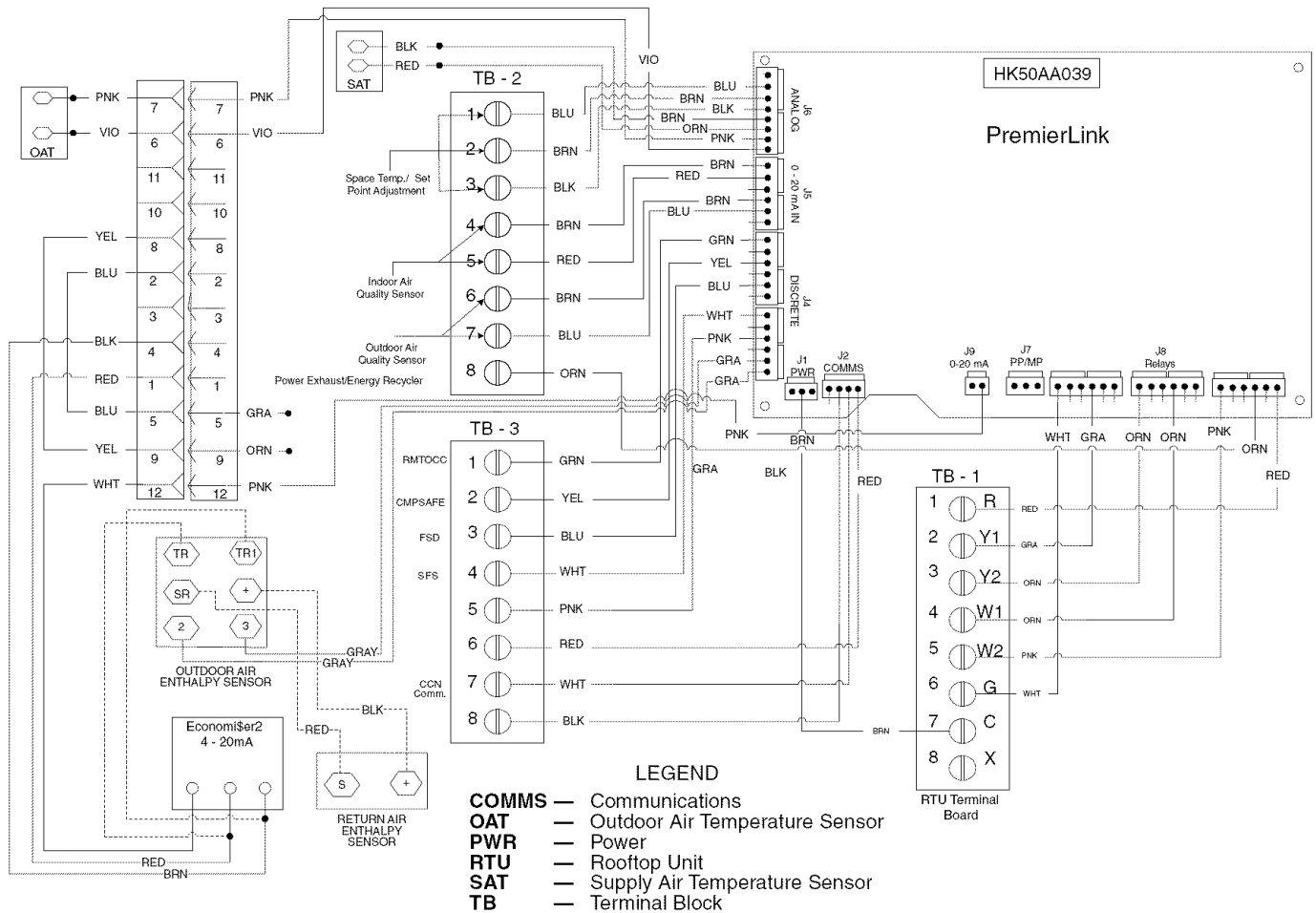
**Table 3 — PremierLink Sensor Usage**

APPLICATION	OUTDOOR AIR TEMPERATURE SENSOR	RETURN AIR TEMPERATURE SENSOR	OUTDOOR AIR ENTHALPY SENSOR	RETURN AIR ENTHALPY SENSOR
Dry Bulb Temperature with PremierLink* (PremierLink requires 4-20 mA Actuator)	Included — HH79NZ017	—	—	—
Differential Dry Bulb Temperature with PremierLink* (PremierLink requires 4-20 mA Actuator)	Included — HH79NZ017	Required — 33ZCT55SPT or Equivalent	—	—
Single Enthalpy with PremierLink* (PremierLink requires 4-20 mA Actuator)	Included — Not Used	—	Required — HH57AC077	—
Differential Enthalpy with PremierLink* (PremierLink requires 4-20 mA Actuator)	Included — Not Used	—	Required — HH57AC077	Required — HH57AC078

\*PremierLink control requires Supply Air Temperature sensor 33ZCSENSAT and Outdoor Air Temperature sensor HH79NZ017 — Included with factory-installed PremierLink control; field-supplied and field-installed with field-installed PremierLink control.

**NOTES:**

- CO<sub>2</sub> Sensors (Optional):
  - 33ZCSENSCO2 — Room sensor (adjustable). Aspirator box is required for duct mounting of the sensor.
  - 33ZCASPACO2 — Aspirator box used for duct-mounted CO<sub>2</sub> room sensor.
  - 33ZCT55CO2 — Space temperature and CO<sub>2</sub> room sensor with override.
  - 33ZCT56CO2 — Space temperature and CO<sub>2</sub> room sensor with override and set point.
- All units include the following Standard Sensors:
  - Outdoor-Air Sensor — 50HJ540569 — Opens at 67 F, closes at 52 F, not adjustable.
  - Mixed-Air Sensor — HH97AZ001 — (PremierLink control requires Supply Air Temperature sensor 33ZCSENSAT and Outdoor Air Temperature Sensor HH79NZ017)
  - Compressor Lockout Sensor — 50HJ540570 — Opens at 35 F, closes at 50 F.



**Fig. 17 — Typical PremierLink™ Controls Wiring**

**Enthalpy Sensors and Control** — The enthalpy control (HH57AC077) is supplied as a field-installed accessory to be used with the EconoMiSer2 damper control option. The outdoor air enthalpy sensor is part of the enthalpy control. The separate field-installed accessory return air enthalpy sensor (HH57AC078) is required for differential enthalpy control.

**NOTE:** The enthalpy control must be set to the “D” setting for differential enthalpy control to work properly.

The enthalpy control receives the indoor and return air enthalpy from the outdoor and return air enthalpy sensors and provides a dry contact switch input to the PremierLink™ controller. Locate the controller in place of an existing economizer controller or near the actuator. The mounting plate may not be needed if existing bracket is used.

A closed contact indicates that outside air is preferred to the return air. An open contact indicates that the economizer should remain at minimum position.

**Outdoor Air Enthalpy Sensor/Enthalpy Controller (HH57AC077)** — To wire the outdoor air enthalpy sensor, perform the following (see Fig. 18 and 19):

**NOTE:** The outdoor air sensor can be removed from the back of the enthalpy controller and mounted remotely.

1. Use a 4-conductor, 18 or 20 AWG cable to connect the enthalpy control to the PremierLink controller and power transformer.
2. Connect the following 4 wires from the wire harness located in rooftop unit to the enthalpy controller:
  - a. Connect the BRN wire to the 24 vac terminal (TR1) on enthalpy control and to pin 1 on 12-pin harness.

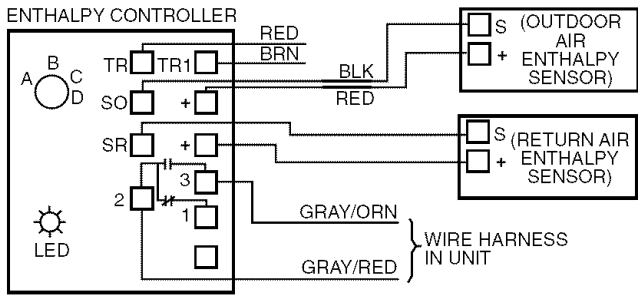
- b. Connect the RED wire to the 24 vac GND terminal (TR) on enthalpy sensor and to pin 4 on 12-pin harness.
- c. Connect the GRAY/ORN wire to J4-2 on PremierLink controller and to terminal (3) on enthalpy sensor.
- d. Connect the GRAY/RED wire to J4-1 on PremierLink controller and to terminal (2) on enthalpy sensor.

**NOTE:** If installing in a Carrier rooftop, use the two gray wires provided from the control section to the economizer to connect PremierLink controller to terminals 2 and 3 on enthalpy sensor.

**Return Air Enthalpy Sensor** — Mount the return-air enthalpy sensor (HH57AC078) in the return-air duct. The return air sensor is wired to the enthalpy controller (HH57AC077). The outdoor enthalpy changeover set point is set at the controller.

To wire the return air enthalpy sensor, perform the following (see Fig. 18):

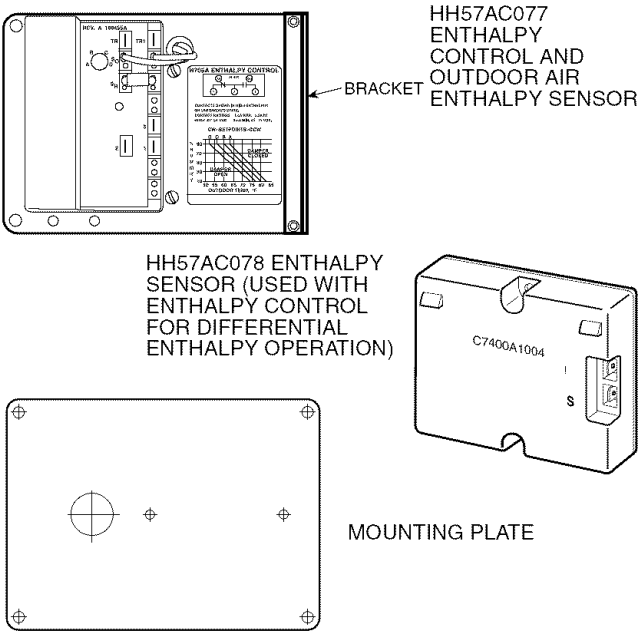
1. Use a 2-conductor, 18 or 20 AWG, twisted pair cable to connect the return air enthalpy sensor to the enthalpy controller.
2. At the enthalpy control remove the factory-installed resistor from the (SR) and (+) terminals.
3. Connect the field-supplied RED wire to (+) spade connector on the return air enthalpy sensor and the (SR+) terminal on the enthalpy controller. Connect the BLK wire to (S) spade connector on the return air enthalpy sensor and the (SR) terminal on the enthalpy controller.



**NOTES:**

1. Remove factory-installed jumper across SR and + before connecting wires from return air sensor.
2. Switches shown in high outdoor air enthalpy state. Terminals 2 and 3 close on low outdoor air enthalpy relative to indoor air enthalpy.
3. Remove sensor mounted on back of control and locate in outside airstream.

**Fig. 18 — Outside and Return Air Sensor Wiring Connections for Differential Enthalpy Control**



**Fig. 19 — Differential Enthalpy Control, Sensor and Mounting Plate (33AMKITENT006)**

**OPTIONAL ECONOMISER IV AND ECONOMISER2** — See Fig. 20 for EconoMi\$er IV component locations. See Fig. 21 for EconoMi\$er2 component locations.

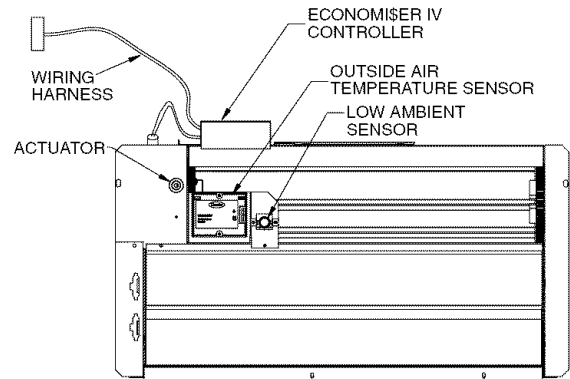
**NOTE:** These instructions are for installing the optional EconoMi\$er IV and EconoMi\$er2 only. Refer to the accessory EconoMi\$er IV or EconoMi\$er2 installation instructions when field installing an EconoMi\$er IV or EconoMi\$er2 accessory.

1. To remove the existing unit filter access panel, raise the panel and swing the bottom outward. The panel is now disengaged from the track and can be removed. See Fig. 22.
2. The box with the economizer hood components is shipped in the compartment behind the economizer. The EconoMi\$er IV controller is mounted on top of the EconoMi\$er IV in the position shown in Fig. 20. The optional EconoMi\$er2 with 4 to 20 mA actuator signal control does not include the EconoMi\$er IV controller. To remove the component box from its shipping position, remove the screw holding the hood box bracket to the top of the economizer. Slide the hood box out of the unit. See Fig. 23.

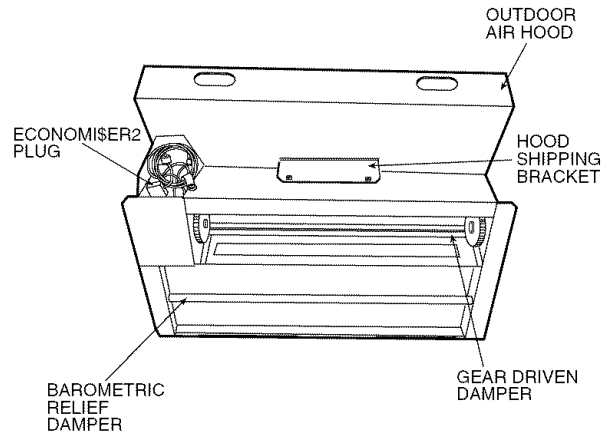
**IMPORTANT:** If the power exhaust accessory is to be installed on the unit, the hood shipped with the unit will not be used and must be discarded. **Save the aluminum filter for use in the power exhaust hood assembly.**

3. The indoor coil access panel will be used as the top of the hood. Remove the screws along the sides and bottom of the indoor coil access panel. See Fig. 24.
4. Swing out indoor coil access panel and insert the hood sides under the panel (hood top). Use the screws provided to attach the hood sides to the hood top. Use screws provided to attach the hood sides to the unit. See Fig. 25.
5. Remove the shipping tape holding the economizer barometric relief damper in place.
6. Insert the hood divider between the hood sides. See Fig. 25 and 26. Secure hood divider with 2 screws on each hood side. The hood divider is also used as the bottom filter rack for the aluminum filter.
7. Open the filter clips which are located underneath the hood top. Insert the aluminum filter into the bottom filter rack (hood divider). Push the filter into position past the open filter clips. Close the filter clips to lock the filter into place. See Fig. 26.
8. Caulk the ends of the joint between the unit top panel and the hood top. See Fig. 24.
9. Replace the filter access panel.
10. Install all EconoMi\$er IV accessories. EconoMi\$er IV wiring is shown in Fig. 27. EconoMi\$er2 wiring is shown in Fig. 28.

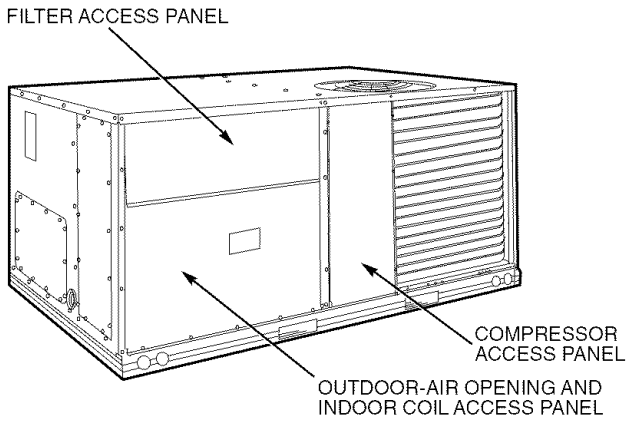
Barometric flow capacity is shown in Fig. 29. Outdoor air leakage is shown in Fig. 30. Return air pressure drop is shown in Fig. 31.



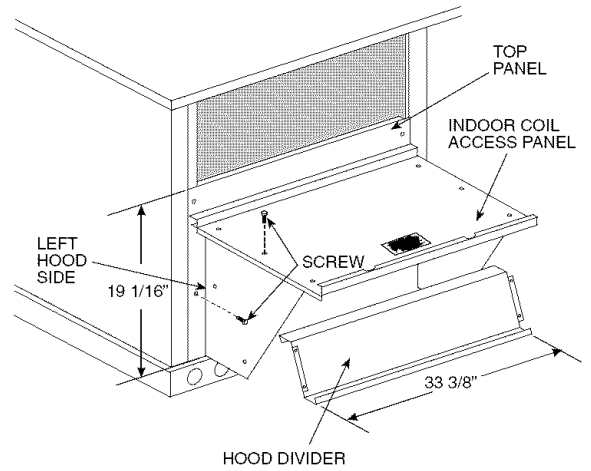
**Fig. 20 — EconoMi\$er IV Component Locations**



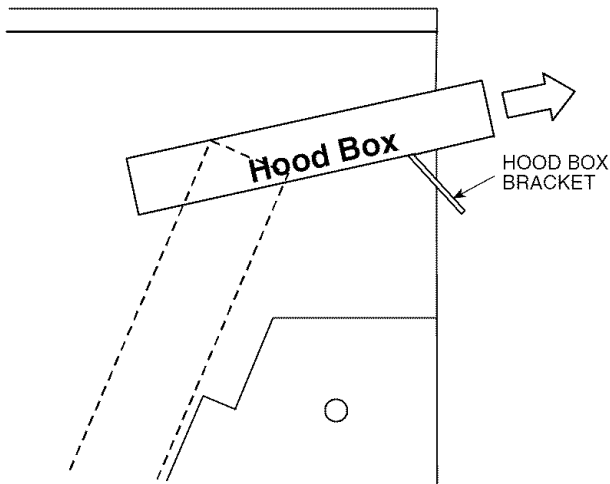
**Fig. 21 — EconoMi\$er2 Component Locations**



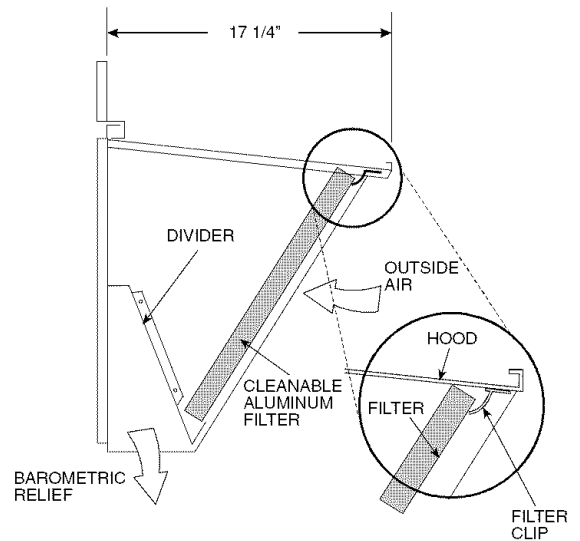
**Fig. 22 — Typical Access Panel Locations**



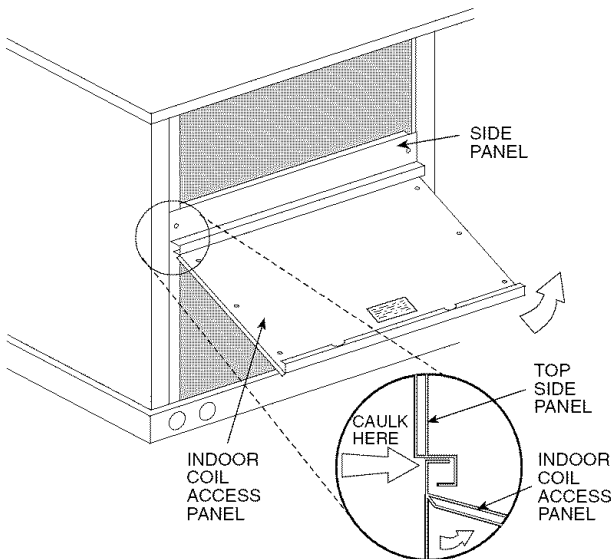
**Fig. 25 — Outdoor-Air Hood Construction**



**Fig. 23 — Hood Box Removal**



**Fig. 26 — Filter Installation**



**Fig. 24 — Indoor Coil Access Panel Relocation**

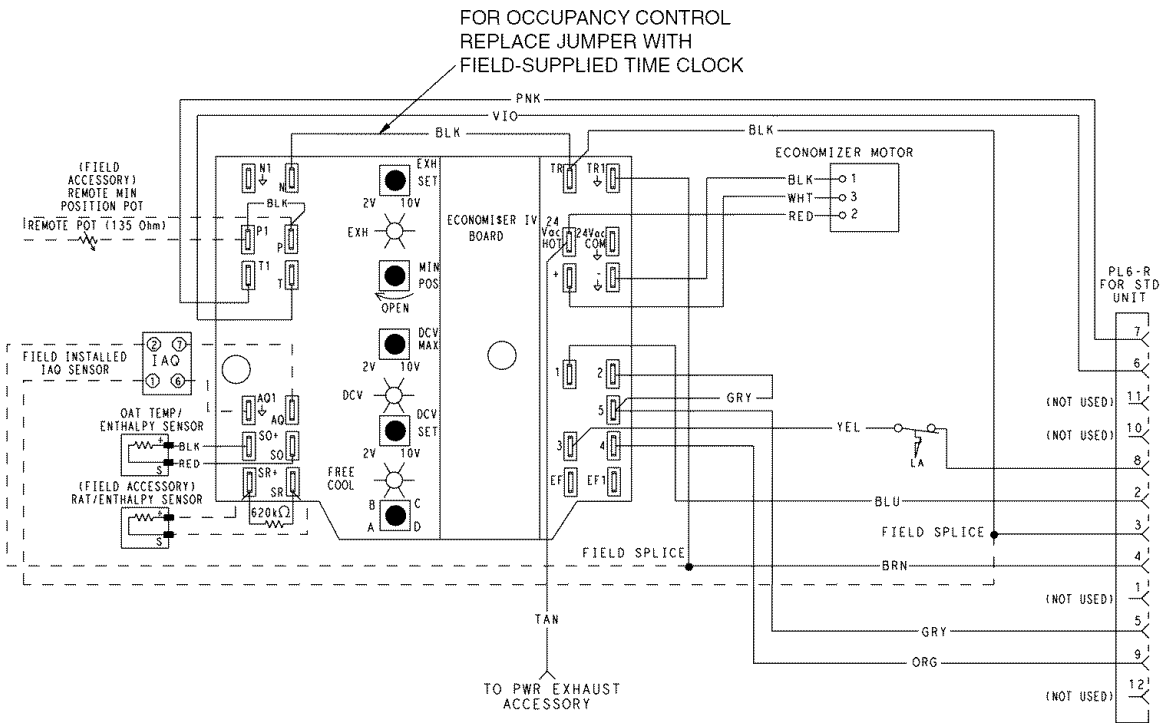
**ECONOMISER IV STANDARD SENSORS**

**Outdoor Air Temperature (OAT) Sensor** — The outdoor air temperature sensor (HH57AC074) is a 10 to 20 mA device used to measure the outdoor-air temperature. The outdoor-air temperature is used to determine when the EconoMi\$er IV can be used for free cooling. The sensor is factory-installed on the EconoMi\$er IV in the outdoor airstream. See Fig. 20. The operating range of temperature measurement is 40 to 100 F.

**Supply Air Temperature (SAT) Sensor** — The supply air temperature sensor is a 3 K thermistor located at the inlet of the indoor fan. See Fig. 32. This sensor is factory installed. The operating range of temperature measurement is 0° to 158 F. See Table 4 for sensor temperature/resistance values.

The temperature sensor looks like an eyelet terminal with wires running to it. The sensor is located in the “crimp end” and is sealed from moisture.

**Outdoor Air Lockout Sensor** — The EconoMi\$er IV is equipped with an ambient temperature lockout switch located in the outdoor air stream which is used to lockout the compressors below a 42 F ambient temperature. See Fig. 20.

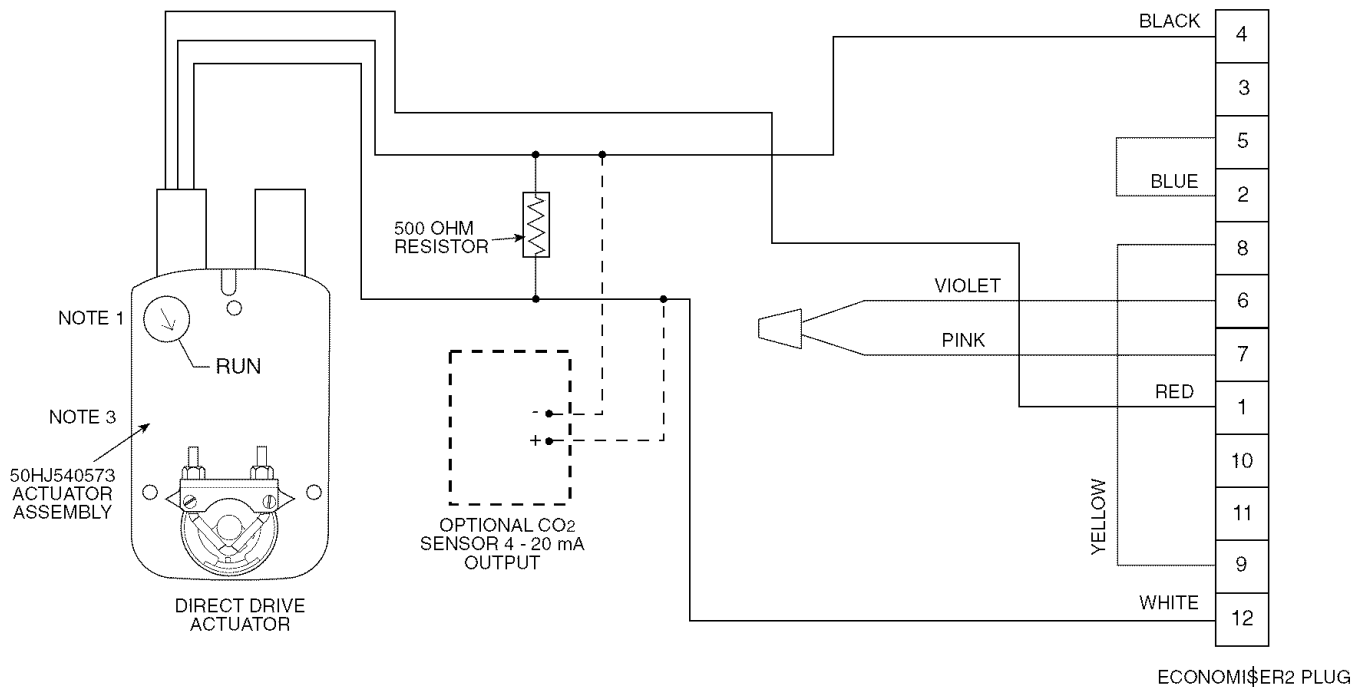


**LEGEND**  
**DCV** — Demand Controlled Ventilation  
**IAQ** — Indoor Air Quality  
**LA** — Low Ambient Lockout Device  
**OAT** — Outdoor-Air Temperature  
**POT** — Potentiometer  
**RAT** — Return-Air Temperature

**Potentiometer Defaults Settings:**  
 Power Exhaust Middle  
 Minimum Pos. Fully Closed  
 DCV Max. Middle  
 DCV Set Middle  
 Enthalpy C Setting

**NOTES:**  
 1. 620 ohm, 1 watt 5% resistor should be removed only when using differential enthalpy or dry bulb.  
 2. If a separate field-supplied 24 v transformer is used for the IAQ sensor power supply, it cannot have the secondary of the transformer grounded.  
 3. For field-installed remote minimum position POT, remove black wire jumper between P and P1 and set control minimum position POT to the minimum position.

**Fig. 27 — EconoMiSer IV Wiring**

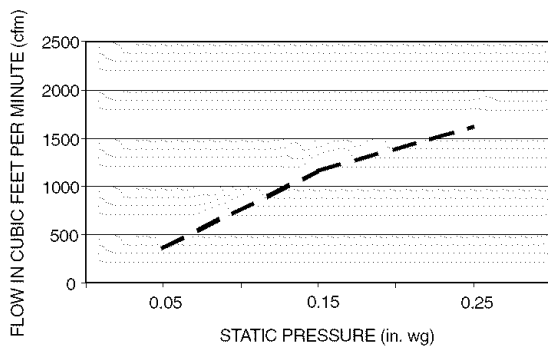


**NOTES:**  
 1. Switch on actuator must be in run position for economizer to operate.  
 2. PremierLink™ control requires that the standard 50HJ540569 outside-air sensor be replaced by either the CROASENR001A00 dry bulb sensor or HH57A077 enthalpy sensor.  
 3. 50HJ540573 actuator consists of the 50HJ540567 actuator and a harness with 500-ohm resistor.

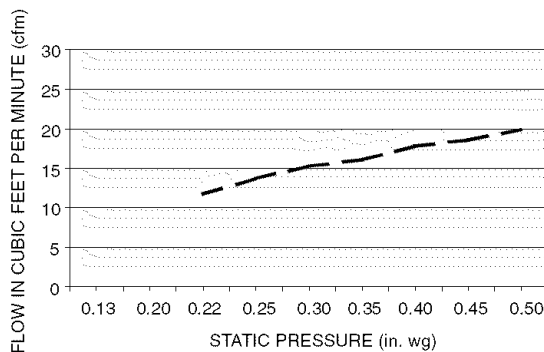
**Fig. 28 — EconoMiSer2 with 4 to 20 mA Control Wiring**

**Table 4 — Supply Air Sensor Temperature/Resistance Values**

TEMPERATURE (F)	RESISTANCE (ohms)
-58	200,250
-40	100,680
-22	53,010
-4	29,091
14	16,590
32	9,795
50	5,970
68	3,747
77	3,000
86	2,416
104	1,597
122	1,080
140	746
158	525
176	376
185	321
194	274
212	203
230	153
248	116
257	102
266	89
284	70
302	55



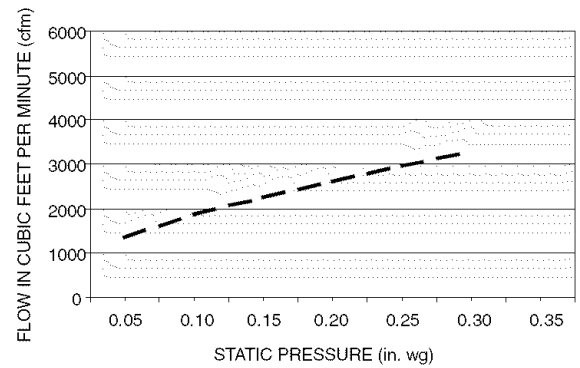
**Fig. 29 — Barometric Flow Capacity**



**Fig. 30 — Outdoor-Air Damper Leakage**

**ECONOMISER IV CONTROL MODES**

**IMPORTANT:** The optional EconoMiSer2 does not include a controller. The EconoMiSer2 is operated by a 4 to 20 mA signal from an existing field-supplied controller (such as PremierLink™ control). See Fig. 28 for wiring information.



**Fig. 31 — Return-Air Pressure Drop**

Determine the EconoMiSer IV control mode before set up of the control. Some modes of operation may require different sensors. Refer to Table 5. The EconoMiSer IV is supplied from the factory with a supply air temperature sensor and an outdoor air temperature sensor. This allows for operation of the EconoMiSer IV with outdoor air dry bulb changeover control. Additional accessories can be added to allow for different types of changeover control and operation of the EconoMiSer IV and unit.

**Outdoor Dry Bulb Changeover** — The standard controller is shipped from the factory configured for outdoor dry bulb changeover control. The outdoor air and supply air temperature sensors are included as standard. For this control mode, the outdoor temperature is compared to an adjustable set point selected on the control. If the outdoor-air temperature is above the set point, the EconoMiSer IV will adjust the outdoor-air dampers to minimum position. If the outdoor-air temperature is below the set point, the position of the outdoor-air dampers will be controlled to provide free cooling using outdoor air. When in this mode, the LED next to the free cooling set point potentiometer will be on. The changeover temperature set point is controlled by the free cooling set point potentiometer located on the control. See Fig. 33. The scale on the potentiometer is A, B, C, and D. See Fig. 34 for the corresponding temperature changeover values.

**Table 5 — EconoMiSer IV Sensor Usage**

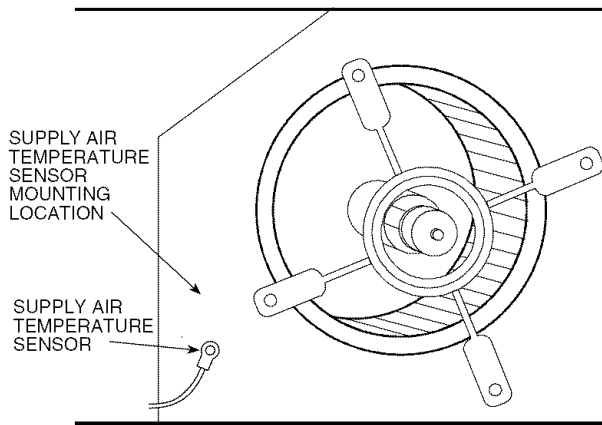
APPLICATION	ECONOMISER IV WITH OUTDOOR AIR DRY BULB SENSOR		
	Accessories Required		
Outdoor Air Dry Bulb	None. The outdoor air dry bulb sensor is factory installed.		
Differential Dry Bulb	CRTEMPSN002A00*		
Single Enthalpy	HH57AC078		
Differential Enthalpy	HH57AC078 and CRENTDIF004A00*		
CO <sub>2</sub> for DCV Control using a Wall-Mounted CO <sub>2</sub> Sensor	33ZCSENCO2		
CO <sub>2</sub> for DCV Control using a Duct-Mounted CO <sub>2</sub> Sensor	33ZCSENCO2† and 33ZCASPCO2**	□ ○	CRCBDIOX005A00††

\*CRENTDIF004A00 and CRTEMPSN002A00 accessories are used on many different base units. As such, these kits may contain parts that will not be needed for installation.

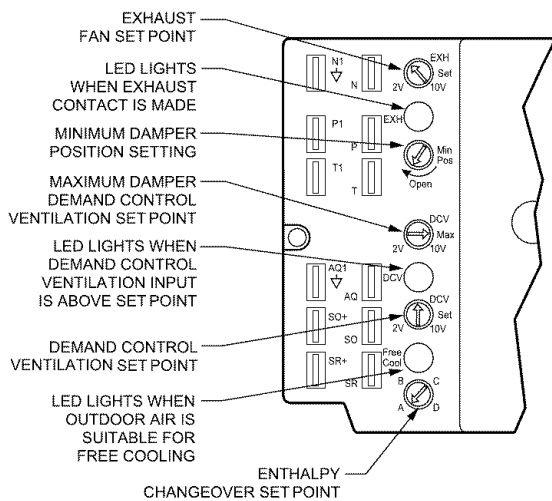
†33ZCSENCO2 is an accessory CO<sub>2</sub> sensor.

\*\*33ZCASPCO2 is an accessory aspirator box required for duct-mounted applications.

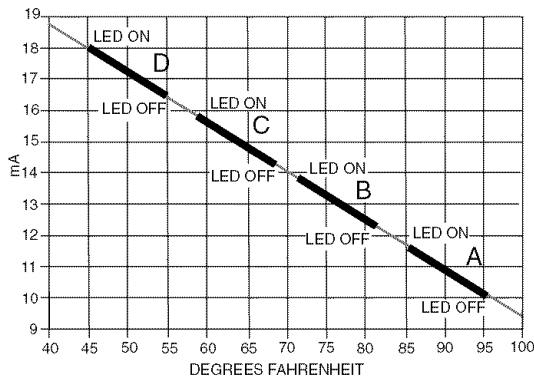
††CRCBDIOX005A00 is an accessory that contains both 33ZCSENCO2 and 33ZCASPCO2 accessories.



**Fig. 32 — Supply Air Sensor Location**



**Fig. 33 — EconoMiSer IV Controller Potentiometer and LED Locations**



**Fig. 34 — Outdoor Air Temperature Changeover Set Points**

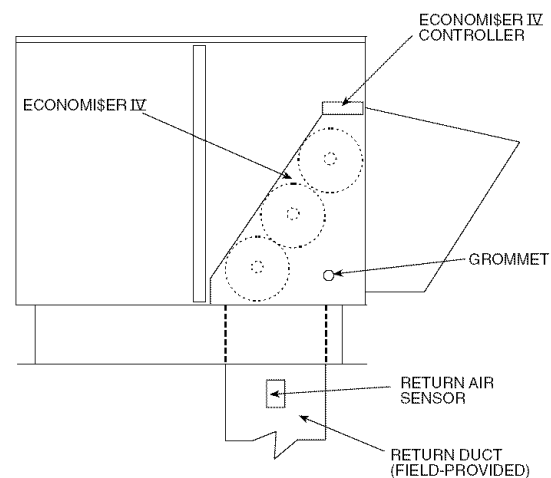
**Differential Dry Bulb Control** — For differential dry bulb control the standard outdoor dry bulb sensor is used in conjunction with an additional accessory dry bulb sensor (part number CRTEMPSN002A00). The accessory sensor must be mounted in the return airstream. See Fig. 35. Wiring is provided in the EconoMiSer IV wiring harness. See Fig. 27.

In this mode of operation, the outdoor-air temperature is compared to the return-air temperature and the lower temperature airstream is used for cooling. When using this mode of changeover control, turn the enthalpy setpoint potentiometer fully clockwise to the D setting. See Fig. 33.

**Outdoor Enthalpy Changeover** — For enthalpy control, accessory enthalpy sensor (part number HH57AC078) is required. Replace the standard outdoor dry bulb temperature sensor with the accessory enthalpy sensor in the same mounting location. See Fig. 20. When the outdoor air enthalpy rises above the outdoor enthalpy changeover set point, the outdoor-air damper moves to its minimum position. The outdoor enthalpy changeover set point is set with the outdoor enthalpy set point potentiometer on the EconoMiSer IV controller. The set points are A, B, C, and D. See Fig. 36. The factory-installed 620-ohm jumper must be in place across terminals SR and SR+ on the EconoMiSer IV controller. See Fig. 20 and 37.

**Differential Enthalpy Control** — For differential enthalpy control, the EconoMiSer IV controller uses two enthalpy sensors (HH57AC078 and CRENTDIF004A00), one in the outside air and one in the return air duct. The EconoMiSer IV controller compares the outdoor air enthalpy to the return air enthalpy to determine EconoMiSer IV use. The controller selects the lower enthalpy air (return or outdoor) for cooling. For example, when the outdoor air has a lower enthalpy than the return air, the EconoMiSer IV opens to bring in outdoor air for free cooling.

Replace the standard outside air dry bulb temperature sensor with the accessory enthalpy sensor in the same mounting location. See Fig. 20. Mount the return air enthalpy sensor in the return air duct. See Fig. 35. Wiring is provided in the EconoMiSer IV wiring harness. See Fig. 27. The outdoor enthalpy changeover set point is set with the outdoor enthalpy set point potentiometer on the EconoMiSer IV controller. When using this mode of changeover control, turn the enthalpy setpoint potentiometer fully clockwise to the D setting.



**Fig. 35 — Return Air Temperature or Enthalpy Sensor Mounting Location**

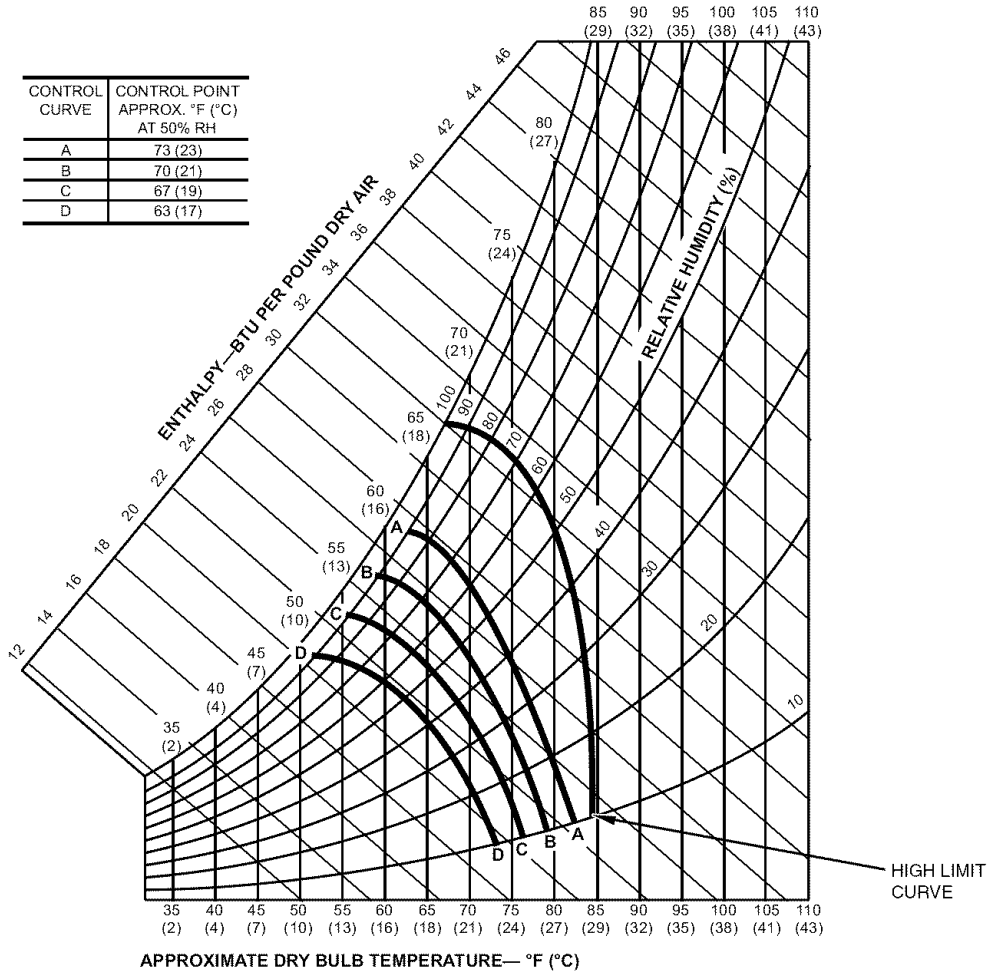


**Indoor Air Quality (IAQ) Sensor Input** — The IAQ input can be used for demand control ventilation control based on the level of CO<sub>2</sub> measured in the space or return air duct.

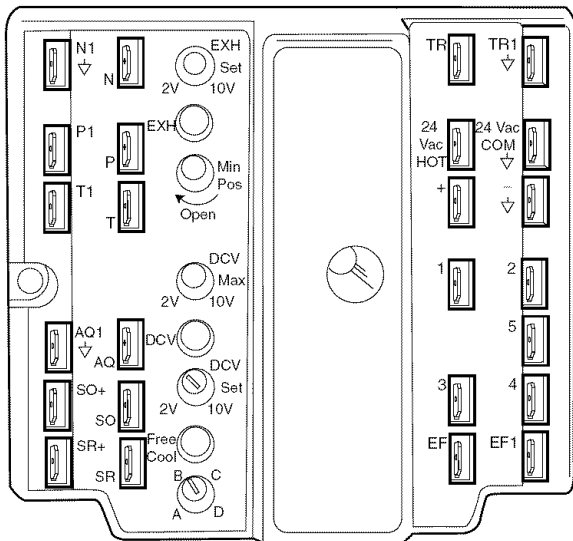
Mount the accessory IAQ sensor according to manufacturer specifications. The IAQ sensor should be wired to the AQ and AQ1 terminals of the controller. Adjust the DCV

potentiometers to correspond to the DCV voltage output of the indoor air quality sensor at the user-determined set point. See Fig. 38.

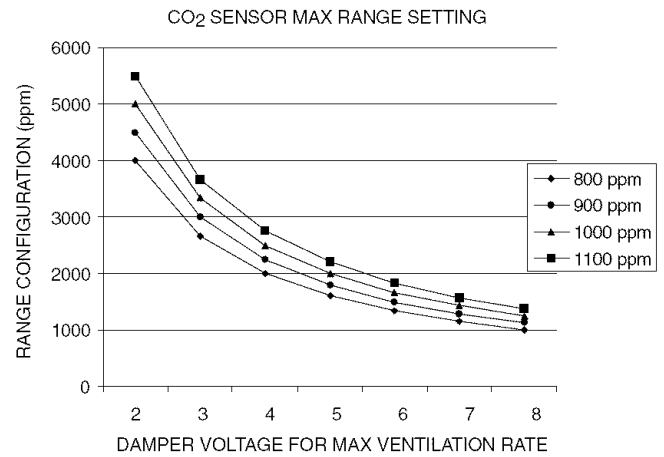
If a separate field-supplied transformer is used to power the IAQ sensor, the sensor must not be grounded or the EconoMi\$er IV control board will be damaged.



**Fig. 36 — Enthalpy Changeover Set Points**



**Fig. 37 — EconoMi\$er IV Control**



**Fig. 38 — CO<sub>2</sub> Sensor Maximum Range Setting**

**Exhaust Set Point Adjustment** — The exhaust set point will determine when the exhaust fan runs based on damper position (if accessory power exhaust is installed). The set point is modified with the Exhaust Fan Set Point (EXH SET) potentiometer. See Fig. 33. The set point represents the damper position above which the exhaust fans will be turned on. When there is a call for exhaust, the EconoMi\$er IV controller provides a  $45 \pm 15$  second delay before exhaust fan activation to allow the dampers to open. This delay allows the damper to reach the appropriate position to avoid unnecessary fan overload.

**Minimum Position Control** — There is a minimum damper position potentiometer on the EconoMi\$er IV controller. See Fig. 33. The minimum damper position maintains the minimum airflow into the building during the occupied period.

When using demand ventilation, the minimum damper position represents the minimum ventilation position for VOC (volatile organic compound) ventilation requirements. The maximum demand ventilation position is used for fully occupied ventilation.

When demand ventilation control is not being used, the minimum position potentiometer should be used to set the occupied ventilation position. The maximum demand ventilation position should be turned fully clockwise.

Adjust the minimum position potentiometer to allow the minimum amount of outdoor air, as required by local codes, to enter the building. Make minimum position adjustments with at least 10 F temperature difference between the outdoor and return-air temperatures.

To determine the minimum position setting, perform the following procedure:

1. Calculate the appropriate mixed air temperature using the following formula:

$$(T_O \times \frac{OA}{100}) + (T_R \times \frac{RA}{100}) = T_M$$

$T_O$  = Outdoor-Air Temperature  
 $OA$  = Percent of Outdoor Air  
 $T_R$  = Return-Air Temperature  
 $RA$  = Percent of Return Air  
 $T_M$  = Mixed-Air Temperature

As an example, if local codes require 10% outdoor air during occupied conditions, outdoor-air temperature is 60 F, and return-air temperature is 75 F.

$$(60 \times .10) + (75 \times .90) = 73.5 \text{ F}$$

2. Disconnect the supply air sensor from terminals T and T1.
3. Ensure that the factory-installed jumper is in place across terminals P and P1. If remote damper positioning is being used, make sure that the terminals are wired according to Fig. 27 and that the minimum position potentiometer is turned fully clockwise.
4. Connect 24 vac across terminals TR and TR1.
5. Carefully adjust the minimum position potentiometer until the measured supply air temperature matches the calculated value.
6. Reconnect the supply air sensor to terminals T and T1.

Remote control of the EconoMi\$er IV damper is desirable when requiring additional temporary ventilation. If a field-supplied remote potentiometer (Honeywell part number S963B1128) is wired to the EconoMi\$er IV controller, the minimum position of the damper can be controlled from a remote location.

To control the minimum damper position remotely, remove the factory-installed jumper on the P and P1 terminals on the EconoMi\$er IV controller. Wire the field-supplied potentiometer to the P and P1 terminals on the EconoMi\$er IV controller. See Fig. 37.

**Damper Movement** — Damper movement from full open to full closed (or vice versa) takes 2½ minutes.

**Thermostats** — The EconoMi\$er IV control works with conventional thermostats that have a Y1 (cool stage 1), Y2 (cool stage 2), W1 (heat stage 1), W2 (heat stage 2), and G (fan). The EconoMi\$er IV control does not support space temperature sensors. Connections are made at the thermostat terminal connection board located in the main control box.

**Occupancy Control** — The factory default configuration for the EconoMi\$er IV control is occupied mode. Occupied status is provided by the black jumper from terminal TR to terminal N. When unoccupied mode is desired, install a field-supplied timeclock function in place of the jumper between TR and N. See Fig. 27. When the timeclock contacts are closed, the EconoMi\$er IV control will be in occupied mode. When the timeclock contacts are open (removing the 24-v signal from terminal N), the EconoMi\$er IV will be in unoccupied mode.

**Demand Controlled Ventilation (DCV)** — When using the EconoMi\$er IV for demand controlled ventilation, there are some equipment selection criteria which should be considered. When selecting the heat capacity and cool capacity of the equipment, the maximum ventilation rate must be evaluated for design conditions. The maximum damper position must be calculated to provide the desired fresh air.

Typically the maximum ventilation rate will be about 5 to 10% more than the typical cfm required per person, using normal outside air design criteria.

A proportional anticipatory strategy should be taken with the following conditions: a zone with a large area, varied occupancy, and equipment that cannot exceed the required ventilation rate at design conditions. Exceeding the required ventilation rate means the equipment can condition air at a maximum ventilation rate that is greater than the required ventilation rate for maximum occupancy. A proportional-anticipatory strategy will cause the fresh air supplied to increase as the room CO<sub>2</sub> level increases even though the CO<sub>2</sub> set point has not been reached. By the time the CO<sub>2</sub> level reaches the set point, the damper will be at maximum ventilation and should maintain the set point.

In order to have the CO<sub>2</sub> sensor control the economizer damper in this manner, first determine the damper voltage output for minimum or base ventilation. Base ventilation is the ventilation required to remove contaminants during unoccupied periods. The following equation may be used to determine the percent of outside-air entering the building for a given damper position. For best results there should be at least a 10 degree difference in outside and return-air temperatures.

$$(T_O \times \frac{OA}{100}) + (T_R \times \frac{RA}{100}) = T_M$$

$T_O$  = Outdoor-Air Temperature  
 $OA$  = Percent of Outdoor Air  
 $T_R$  = Return-Air Temperature  
 $RA$  = Percent of Return Air  
 $T_M$  = Mixed-Air Temperature

Once base ventilation has been determined, set the minimum damper position potentiometer to the correct position.

The same equation can be used to determine the occupied or maximum ventilation rate to the building. For example, an output of 3.6 volts to the actuator provides a base ventilation rate of 5% and an output of 6.7 volts provides the maximum ventilation rate of 20% (or base plus 15 cfm per person). Use Fig. 38 to determine the maximum setting of the CO<sub>2</sub> sensor. For example, a 1100 ppm set point relates to a 15 cfm per person design. Use the 1100 ppm curve on Fig. 38 to find the point when the CO<sub>2</sub> sensor output will be 6.7 volts. Line up the point on the graph with the left side of the chart to determine that the range configuration for the CO<sub>2</sub> sensor should be 1800 ppm. The

EconoMi\$er IV controller will output the 6.7 volts from the CO<sub>2</sub> sensor to the actuator when the CO<sub>2</sub> concentration in the space is at 1100 ppm. The DCV set point may be left at 2 volts since the CO<sub>2</sub> sensor voltage will be ignored by the EconoMi\$er IV controller until it rises above the 3.6 volt setting of the minimum position potentiometer.

Once the fully occupied damper position has been determined, set the maximum damper demand control ventilation potentiometer to this position. Do not set to the maximum position as this can result in over-ventilation to the space and potential high-humidity levels.

**CO<sub>2</sub> Sensor Configuration** — The CO<sub>2</sub> sensor has preset standard voltage settings that can be selected anytime after the sensor is powered up. See Table 6.

Use setting 1 or 2 for Carrier equipment. See Table 6.

1. Press Clear and Mode buttons. Hold at least 5 seconds until the sensor enters the Edit mode.
2. Press Mode twice. The STDSET Menu will appear.
3. Use the Up/Down button to select the preset number. See Table 6.
4. Press Enter to lock in the selection.
5. Press Mode to exit and resume normal operation.

The custom settings of the CO<sub>2</sub> sensor can be changed anytime after the sensor is energized. Follow the steps below to change the non-standard settings:

1. Press Clear and Mode buttons. Hold at least 5 seconds until the sensor enters the Edit mode.
2. Press Mode twice. The STDSET Menu will appear.
3. Use the Up/Down button to toggle to the NONSTD menu and press Enter.
4. Use the Up/Down button to toggle through each of the nine variables, starting with Altitude, until the desired setting is reached.
5. Press Mode to move through the variables.
6. Press Enter to lock in the selection, then press Mode to continue to the next variable.

**Dehumidification of Fresh Air with DCV Control** — Information from ASHRAE indicates that the largest humidity load on any zone is the fresh air introduced. For some applications, a device such as a 62AQ energy recovery unit is added to reduce the moisture content of the fresh air being brought into the building when the enthalpy is high. In most cases, the normal

heating and cooling processes are more than adequate to remove the humidity loads for most commercial applications.

If normal rooftop heating and cooling operation is not adequate for the outdoor humidity level, an energy recovery unit and/or a dehumidification option should be considered.

**Step 9 — Adjust Evaporator-Fan Speed** — Adjust evaporator-fan rpm to meet jobsite conditions. Table 7 shows fan rpm at motor pulley settings. Table 8 shows motor performance. See Table 9 for accessory and option static pressure drops. See Table 10 for evaporator-fan motor efficiency. Refer to Tables 11-40 to determine fan speed settings.

**DIRECT-DRIVE MOTORS** — The evaporator-fan motor factory speed setting is shown on label diagram affixed to base unit. If other than factory setting is desired, refer to label diagram for motor reconnection. See Fig. 39 for direct-drive motor location.

**BELT-DRIVE MOTORS** — Fan motor pulleys are factory set for speed shown in Tables 1A and 1B. See Fig. 40 for belt drive motor location.

**NOTE:** Before adjusting fan speed, make sure the new fan speed will provide an air temperature rise range as shown in Tables 1A and 1B.

To change fan speed:

1. Shut off unit power supply.
2. Loosen belt by loosening fan motor mounting nuts. See Fig. 40.
3. Loosen movable pulley flange setscrew (see Fig. 41).
4. Screw movable flange toward fixed flange to increase speed and away from fixed flange to decrease speed. Increasing fan speed increases load on motor. Do not exceed maximum speed specified in Tables 1A and 1B.
5. Set movable flange at nearest keyway of pulley hub and tighten setscrew. (See Tables 1A and 1B for speed change for each full turn of pulley flange.)

To align fan and motor pulleys:

1. Loosen fan pulley setscrews.
2. Slide fan pulley along fan shaft.

Make angular alignment by loosening motor from mounting.

**Table 6 — CO<sub>2</sub> Sensor Standard Settings**

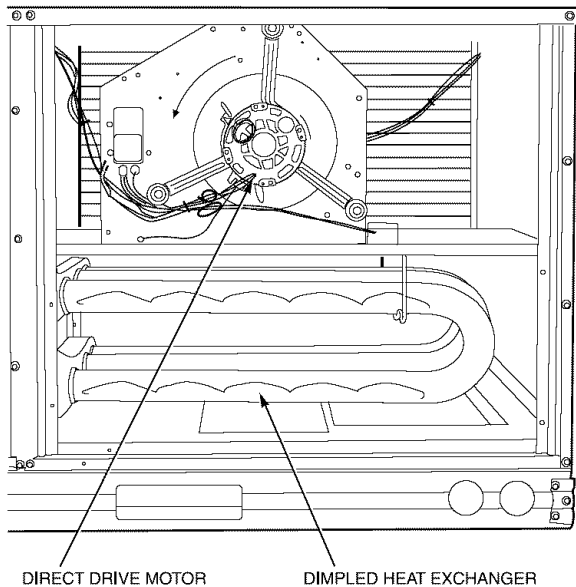
SETTING	EQUIPMENT	OUTPUT	VENTILATION RATE (cfm/Person)	ANALOG OUTPUT	CO <sub>2</sub> CONTROL RANGE (ppm)	OPTIONAL RELAY SETPOINT (ppm)	RELAY HYSTERESIS (ppm)
1	Interface w/Standard Building Control System	Proportional	Any	0-10V 4-20 mA	0-2000	1000	50
2		Proportional	Any	2-10V 7-20 mA	0-2000	1000	50
3		Exponential	Any	0-10V 4-20 mA	0-2000	1100	50
4	Economizer	Proportional	15	0-10V 4-20 mA	0-1100	1100	50
5		Proportional	20	0-10V 4-20 mA	0- 900	900	50
6		Exponential	15	0-10V 4-20 mA	0-1100	1100	50
7		Exponential	20	0-10V 4-20 mA	0- 900	900	50
8	Health & Safety	Proportional	—	0-10V 4-20 mA	0-9999	5000	500
9	Parking/Air Intakes/ Loading Docks	Proportional	—	0-10V 4-20 mA	0-2000	700	50

LEGEND

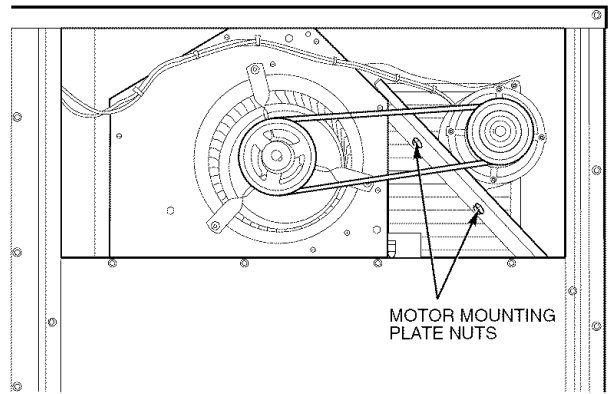
ppm — Parts Per Million

To adjust belt tension:

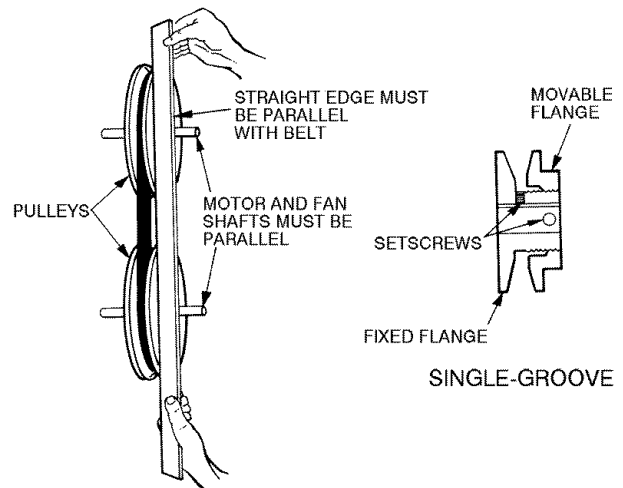
1. Loosen fan motor mounting nuts.
2. Slide motor mounting plate away from fan scroll for proper belt tension ( $1/2$ -in. deflection with one finger).
3. Tighten motor mounting nuts.
4. Adjust bolt and tighten nut to secure motor in fixed position.



**Fig. 39 — Direct Drive Motor Mounting**



**Fig. 40 — Belt Drive Motor Mounting**



**Fig. 41 — Evaporator-Fan Pulley Adjustment**

**Table 7 — Fan Rpm at Motor Pulley Settings\***

UNIT	MOTOR PULLEY TURNS OPEN												
	0	$1/2$	1	$1\frac{1}{2}$	2	$2\frac{1}{2}$	3	$3\frac{1}{2}$	4	$4\frac{1}{2}$	5	$5\frac{1}{2}$	6
48TF004†	1000	976	952	928	904	880	856	832	808	784	760	—	—
48TF004**	1455	1423	1392	1360	1328	1297	1265	1233	1202	1170	1138	1107	1075
48TM004†	1045	1009	973	937	901	865	829	793	757	721	685	—	—
48TM004**	1455	1423	1392	1360	1328	1297	1265	1233	1202	1170	1138	1107	1075
48TF005†	1175	1134	1094	1053	1013	972	932	891	851	810	770	—	—
48TF005**	1455	1423	1392	1360	1328	1297	1265	1233	1202	1170	1138	1107	1075
48TM005†	1175	1135	1094	1054	1013	973	932	892	851	811	770	—	—
48TM005**	1455	1423	1392	1360	1328	1297	1265	1233	1202	1170	1138	1107	1075
48TF006†	1192	1163	1131	1099	1067	1035	1003	971	939	907	875	—	—
48TF006**	1685	1589	1557	1525	1493	1460	1428	1396	1364	1332	1300	—	—
48TM006†	1300	1266	1233	1200	1166	1133	1100	1066	1033	1000	966	933	900
48TM006**	1685	1647	1608	1570	1531	1493	1454	1416	1377	1339	1300	—	—
48TF007††	1460	1420	1380	1345	1305	1265	1225	1185	1150	1110	1070	—	—
48TF007**	1685	1589	1557	1525	1493	1460	1428	1396	1364	1332	1300	—	—
48TM007††	1460	1421	1382	1343	1304	1285	1226	1187	1148	1109	1070	—	—
48TM007**	1685	1647	1608	1570	1531	1493	1454	1416	1377	1399	1300	—	—

\*Approximate fan rpm shown.  
†Indicates alternate motor and drive package.

\*\*Indicates high-static motor and drive package.  
††Indicates standard motor and drive package.

**Table 8 — Evaporator-Fan Motor Performance**

UNIT 48TF,TM	EVAPORATOR-FAN MOTOR	UNIT VOLTAGE	MAXIMUM ACCEPTABLE CONTINUOUS BHP*	MAXIMUM ACCEPTABLE OPERATING WATTS	MAXIMUM AMP DRAW
004	Standard	208/230	0.34	440	2.8
		460			1.3
		575			1.3
	Alternate	208/230	1.20	1000	4.9
		460			2.1
		575			2.1
	High Static	208/230	2.40	2120	6.0
		460			3.0
		575			3.0
005	Standard	208/230	0.75	850	3.5
		460			1.8
		575			1.8
	Alternate	208/230	1.20	1000	4.9
		460			2.1
		575			2.1
	High Static	208/230	2.40	2120	6.0
		460			3.0
		575			3.0
006	Standard	208/230	1.20	1340	5.9
		460			3.2
		575			3.2
	Alternate	208/230	1.30/2.40†	2120	6.6/5.2†
		460			2.6
		575			3.0
	High Static	208/230	2.90	2562	8.6
		460			3.9
		575			3.9
007	Standard	208/230	2.40	2120	5.2
		460			3.0
		575			3.0
	High Static	208/230	2.90	2562	8.6
		460			3.9
		575			3.9

**LEGEND**

**BHP** — Brake Horsepower

\*Extensive motor and electrical testing on these units ensures that the full horsepower range of the motors can be utilized with confidence. Using the fan motors up to the horsepower ratings shown in this table will not result in nuisance tripping or premature motor failure. Unit warranty will not be affected.

†Single phase/three-phase.

**NOTES:**

1. All indoor-fan motors 5 hp and larger meet the minimum efficiency requirements as established by the Energy Policy Act of 1992 (EPACT) effective October 24, 1997.
2. High-static motor not available on single-phase units.

**Table 9 — Accessory/FIOP EconoMiSer IV and EconoMiSer2 Static Pressure\* (in. wg)**

COMPONENT	CFM							
	1250	1500	1750	2000	2250	2500	2750	3000
Vertical EconoMiSer IV and EconoMiSer2	0.045	0.065	0.08	0.12	0.145	0.175	0.22	0.255
Horizontal EconoMiSer IV and EconoMiSer2	—	—	0.1	0.125	0.15	0.18	0.225	0.275

**LEGEND**

**FIOP** — Factory-Installed Option

\*The static pressure must be added to external static pressure. The sum and the evaporator entering-air cfm should be used in conjunction with the Fan Performance tables to determine indoor blower rpm and watts.

**Table 10 — Evaporator-Fan Motor Efficiency**

MOTOR 48TF,TM	EFFICIENCY
004,005	75
006	74/84*
007	84

\*Single-phase/3-phase.

NOTE: Convert watts to bhp using the following formula:

$$\text{bhp} = \frac{\text{watts input} \times \text{motor efficiency}}{746}$$

Table 11 — Fan Performance 48TF, TM004 — Vertical Discharge Units — Standard Motor

AIRFLOW (Cfm)	LOW SPEED						HIGH SPEED					
	208 V			230, 460, 575 V			208 V			230, 460, 575 V		
	ESP	Bhp	Watts	ESP	Bhp	Watts	ESP	Bhp	Watts	ESP	Bhp	Watts
900	0.49	0.21	253	0.50	0.23	277	0.51	0.26	307	0.55	0.31	363
1000	0.42	0.23	270	0.43	0.25	292	0.43	0.27	321	0.51	0.32	374
1100	0.37	0.24	287	0.38	0.26	307	0.39	0.28	335	0.46	0.33	385
1200	0.33	0.26	304	0.33	0.27	323	0.34	0.29	349	0.40	0.34	397
1300	0.27	0.27	321	0.28	0.29	338	0.28	0.31	364	0.34	0.34	408
1400	0.20	0.29	338	0.23	0.30	354	0.25	0.32	378	—	—	—
1500	0.16	0.30	355	0.18	0.31	369	0.20	0.33	392	—	—	—

LEGEND

Refer to page 41 for general Fan Performance Data notes.

Bhp — Brake Horsepower Input to Fan  
 ESP — External Static Pressure (in. wg)

Table 12 — Fan Performance 48TF004 — Vertical Discharge Units — Alternate Motor (Belt Drive)\*

AIRFLOW (Cfm)	EXTERNAL STATIC PRESSURE (in. wg)														
	0.2			0.4			0.6			0.8			1.0		
	Rpm	Bhp	Watts	Rpm	Bhp	Watts	Rpm	Bhp	Watts	Rpm	Bhp	Watts	Rpm	Bhp	Watts
900	643	0.15	152	768	0.22	222	870	0.30	296	958	0.37	373	1037	0.46	454
1000	683	0.19	191	804	0.27	268	904	0.35	348	991	0.43	430	1069	0.52	517
1100	725	0.24	237	842	0.32	321	939	0.41	407	1025	0.50	496	1102	0.59	588
1200	767	0.29	291	880	0.38	382	976	0.48	474	1060	0.57	570	1136	0.67	668
1300	811	0.35	352	920	0.45	451	1013	0.55	550	1095	0.66	652	1170	0.76	756
1400	855	0.43	423	960	0.53	529	1051	0.64	636	1132	0.75	744	1205	0.86	855
1500	900	0.51	504	1002	0.62	617	1090	0.74	731	1169	0.85	846	1242	0.97	963

AIRFLOW (Cfm)	EXTERNAL STATIC PRESSURE (in. wg)														
	1.2			1.4			1.6			1.8			2.0		
	Rpm	Bhp	Watts	Rpm	Bhp	Watts	Rpm	Bhp	Watts	Rpm	Bhp	Watts	Rpm	Bhp	Watts
900	1110	0.54	538	1177	0.63	627	1239	0.72	718	1298	0.82	813	1355	0.92	911
1000	1141	0.61	607	1207	0.70	700	1269	0.80	796	1328	0.90	895	1384	1.00	998
1100	1173	0.69	683	1238	0.79	781	1300	0.89	883	1358	0.99	987	1414	1.10	1094
1200	1205	0.77	768	1270	0.88	872	1332	0.98	979	1389	1.09	1088	—	—	—
1300	1239	0.87	863	1303	0.98	972	1364	1.09	1084	—	—	—	—	—	—
1400	1273	0.97	967	1337	1.09	1082	—	—	—	—	—	—	—	—	—
1500	1309	1.09	1082	—	—	—	—	—	—	—	—	—	—	—	—

LEGEND

Refer to page 41 for general Fan Performance Data notes.

Bhp — Brake Horsepower Input to Fan  
 Watts — Input Watts to Motor

NOTES:

1. **Boldface** indicates field-supplied drive is required.
2. Maximum continuous bhp is 1.20.

\*Motor drive range: 760 to 1000 rpm. All other rpms require a field-supplied drive.

**Table 13 — Fan Performance 48TM004 — Vertical Discharge Units — Alternate Motor (Belt Drive)\***

AIRFLOW (Cfm)	EXTERNAL STATIC PRESSURE (in. wg)														
	0.2			0.4			0.6			0.8			1.0		
	Rpm	Bhp	Watts	Rpm	Bhp	Watts	Rpm	Bhp	Watts	Rpm	Bhp	Watts	Rpm	Bhp	Watts
900	643	0.15	152	768	0.22	222	870	0.30	296	958	0.37	373	1037	0.46	454
1000	683	0.19	191	804	0.27	268	904	0.35	348	991	0.43	430	1069	0.52	517
1100	725	0.24	237	842	0.32	321	939	0.41	407	1025	0.50	496	1102	0.59	588
1200	767	0.29	291	880	0.38	382	976	0.48	474	1060	0.57	570	1136	0.67	668
1300	811	0.35	352	920	0.45	451	1013	0.55	550	1095	0.66	652	1170	0.76	756
1400	855	0.43	423	960	0.53	529	1051	0.64	636	1132	0.75	744	1205	0.86	855
1500	900	0.51	504	1002	0.62	617	1090	0.74	731	1169	0.85	846	1242	0.97	963

AIRFLOW (Cfm)	EXTERNAL STATIC PRESSURE (in. wg)														
	1.2			1.4			1.6			1.8			2.0		
	Rpm	Bhp	Watts	Rpm	Bhp	Watts	Rpm	Bhp	Watts	Rpm	Bhp	Watts	Rpm	Bhp	Watts
900	1110	0.54	538	1177	0.63	627	1239	0.72	718	1298	0.82	813	1355	0.92	911
1000	1141	0.61	607	1207	0.70	700	1269	0.80	796	1328	0.90	895	1384	1.00	998
1100	1173	0.69	683	1238	0.79	781	1300	0.89	883	1358	0.99	987	1414	1.10	1094
1200	1205	0.77	768	1270	0.88	872	1332	0.98	979	1389	1.09	1088	—	—	—
1300	1239	0.87	863	1303	0.98	972	1364	1.09	1084	—	—	—	—	—	—
1400	1273	0.97	967	1337	1.09	1082	—	—	—	—	—	—	—	—	—
1500	1309	1.09	1082	—	—	—	—	—	—	—	—	—	—	—	—

LEGEND

Bhp — Brake Horsepower Input to Fan  
Watts — Input Watts to Motor

\*Motor drive range: 685 to 1045 rpm. All other rpms require a field-supplied drive.

Refer to page 41 for general Fan Performance Data notes.

NOTES:

1. **Boldface** indicates field-supplied drive is required.
2. Maximum continuous bhp is 1.20.

**Table 14 — Fan Performance 48TF,TM004 — Vertical Discharge Units — High-Static Motor (Belt Drive)\***

AIRFLOW (Cfm)	EXTERNAL STATIC PRESSURE (in. wg)														
	0.2			0.4			0.6			0.8			1.0		
	Rpm	Bhp	Watts	Rpm	Bhp	Watts	Rpm	Bhp	Watts	Rpm	Bhp	Watts	Rpm	Bhp	Watts
900	643	0.15	152	768	0.22	222	870	0.30	296	958	0.37	373	1037	0.46	454
1000	683	0.19	191	804	0.27	268	904	0.35	348	991	0.43	430	1069	0.52	517
1100	725	0.24	237	842	0.32	321	939	0.41	407	1025	0.50	496	1102	0.59	588
1200	767	0.29	291	880	0.38	382	976	0.48	474	1060	0.57	570	1136	0.67	668
1300	811	0.35	352	920	0.45	451	1013	0.55	550	1095	0.66	652	1170	0.76	756
1400	855	0.43	423	960	0.53	529	1051	0.64	636	1132	0.75	744	1205	0.86	855
1500	900	0.51	504	1002	0.62	617	1090	0.74	731	1169	0.85	846	1242	0.97	963

AIRFLOW (Cfm)	EXTERNAL STATIC PRESSURE (in. wg)														
	1.2			1.4			1.6			1.8			2.0		
	Rpm	Bhp	Watts	Rpm	Bhp	Watts	Rpm	Bhp	Watts	Rpm	Bhp	Watts	Rpm	Bhp	Watts
900	1110	0.54	538	1177	0.63	627	1239	0.72	718	1298	0.82	813	1355	0.92	911
1000	1141	0.61	607	1207	0.70	700	1269	0.80	796	1328	0.90	895	1384	1.00	998
1100	1173	0.69	683	1238	0.79	781	1300	0.89	883	1358	0.99	987	1414	1.10	1094
1200	1205	0.77	768	1270	0.88	872	1332	0.98	979	1389	1.09	1088	1444	1.21	1200
1300	1239	0.87	863	1303	0.98	972	1364	1.09	1084	1421	1.21	1199	1475	1.32	1316
1400	1273	0.97	967	1337	1.09	1082	1397	1.21	1200	1453	1.33	1320	1507	1.45	1443
1500	1309	1.09	1082	1371	1.21	1204	1430	1.33	1327	1486	1.46	1453	1540	1.59	1581

LEGEND

Bhp — Brake Horsepower Input to Fan  
Watts — Input Watts to Motor

\*Motor drive range: 1075 to 1455 rpm. All other rpms require a field-supplied drive.

Refer to page 41 for general Fan Performance Data notes.

NOTES:

1. **Boldface** indicates field-supplied drive is required.
2. Maximum continuous bhp is 2.40.

Table 15 — Fan Performance 48TF, TM005 — Vertical Discharge Units — Standard Motor

AIRFLOW (Cfm)	LOW SPEED						HIGH SPEED					
	208 V			230, 460, 575 V			208 V			230, 460, 575 V		
	ESP	Bhp	Watts	ESP	Bhp	Watts	ESP	Bhp	Watts	ESP	Bhp	Watts
1200	0.68	0.41	458	0.74	0.45	506	0.74	0.51	572	0.85	0.56	632
1300	0.61	0.42	471	0.67	0.46	521	0.66	0.52	589	0.78	0.58	651
1400	0.53	0.45	503	0.59	0.49	556	0.59	0.54	616	0.70	0.60	681
1500	0.45	0.47	536	0.51	0.52	593	0.52	0.56	631	0.63	0.62	698
1600	0.36	0.49	557	0.42	0.54	616	0.45	0.58	654	0.56	0.64	723
1700	0.26	0.52	584	0.32	0.57	646	0.37	0.60	678	0.48	0.66	750
1800	0.15	0.54	610	0.22	0.60	674	0.30	0.62	698	0.41	0.68	772
1900	0.04	0.56	629	0.11	0.62	696	0.23	0.64	720	0.34	0.70	796
2000	—	—	—	—	—	—	0.16	0.66	744	0.26	0.73	823

LEGEND

Refer to page 41 for general Fan Performance Data notes.

Bhp — Brake Horsepower Input to Fan  
ESP — External Static Pressure (in. wg)

Table 16 — Fan Performance 48TF, TM005 — Vertical Discharge Units — Alternate Motor (Belt Drive)\*

AIRFLOW (Cfm)	EXTERNAL STATIC PRESSURE (in. wg)														
	0.2			0.4			0.6			0.8			1.0		
	Rpm	Bhp	Watts	Rpm	Bhp	Watts	Rpm	Bhp	Watts	Rpm	Bhp	Watts	Rpm	Bhp	Watts
1200	666	0.26	257	778	0.37	367	871	0.47	471	952	0.57	572	1025	0.67	670
1300	701	0.31	306	810	0.43	426	901	0.54	540	981	0.65	651	1053	0.76	760
1400	737	0.36	361	842	0.49	491	931	0.62	616	1010	0.74	738	1081	0.86	856
1500	773	0.42	422	875	0.57	564	963	0.70	699	1040	0.84	831	1110	0.96	960
1600	810	0.49	491	909	0.65	643	994	0.79	790	1070	0.94	932	1140	1.08	1070
1700	847	0.57	567	943	0.73	730	1027	0.89	888	1101	1.05	1040	1170	1.20	1189
1800	885	0.66	652	978	0.83	826	1060	1.00	994	1133	1.16	1157	—	—	—
1900	923	0.75	745	1014	0.94	930	1093	1.11	1109	—	—	—	—	—	—
2000	962	0.85	847	1049	1.05	1043	—	—	—	—	—	—	—	—	—

AIRFLOW (Cfm)	EXTERNAL STATIC PRESSURE (in. wg)														
	1.2			1.4			1.6			1.8			2.0		
	Rpm	Bhp	Watts	Rpm	Bhp	Watts	Rpm	Bhp	Watts	Rpm	Bhp	Watts	Rpm	Bhp	Watts
1200	1093	0.77	767	1155	0.87	861	1213	0.96	955	1268	1.05	1047	1321	1.14	1137
1300	1119	0.87	866	1181	0.98	970	1239	1.08	1073	1294	1.18	1175	—	—	—
1400	1147	0.98	972	1208	1.09	1086	—	—	—	—	—	—	—	—	—
1500	1175	1.09	1086	—	—	—	—	—	—	—	—	—	—	—	—
1600	—	—	—	—	—	—	—	—	—	—	—	—	—	—	—
1700	—	—	—	—	—	—	—	—	—	—	—	—	—	—	—
1800	—	—	—	—	—	—	—	—	—	—	—	—	—	—	—
1900	—	—	—	—	—	—	—	—	—	—	—	—	—	—	—
2000	—	—	—	—	—	—	—	—	—	—	—	—	—	—	—

LEGEND

Refer to page 41 for general Fan Performance Data notes.

Bhp — Brake Horsepower Input to Fan  
Watts — Input Watts to Motor

NOTES:

1. **Boldface** indicates field-supplied drive is required.
2. Maximum continuous bhp is 1.20.

\*Motor drive range: 770 to 1175 rpm. All other rpms require a field-supplied drive.



**Table 17 — Fan Performance 48TF, TM005 — Vertical Discharge Units — High-Static Motor (Belt Drive)\***

AIRFLOW (Cfm)	EXTERNAL STATIC PRESSURE (in. wg)														
	0.2			0.4			0.6			0.8			1.0		
	Rpm	Bhp	Watts	Rpm	Bhp	Watts	Rpm	Bhp	Watts	Rpm	Bhp	Watts	Rpm	Bhp	Watts
1200	666	0.26	257	778	0.37	367	871	0.47	471	952	0.57	572	1025	0.67	670
1300	701	0.31	306	810	0.43	426	901	0.54	540	981	0.65	651	1053	0.76	760
1400	737	0.36	361	842	0.49	491	931	0.62	616	1010	0.74	738	1081	0.86	856
1500	773	0.42	422	875	0.57	564	963	0.70	699	1040	0.84	831	1110	0.96	960
1600	810	0.49	491	909	0.65	643	994	0.79	790	1070	0.94	932	1140	1.08	1070
1700	847	0.57	567	943	0.73	730	1027	0.89	888	1101	1.05	1040	1170	1.20	1189
1800	885	0.66	652	978	0.83	826	1060	1.00	994	1133	1.16	1157	1200	1.32	1316
1900	923	0.75	745	1014	0.94	930	1093	1.11	1109	1165	1.29	1283	1231	1.46	1453
2000	962	0.85	847	1049	1.05	1043	1127	1.24	1233	1198	1.42	1417	1263	1.61	1598

AIRFLOW (Cfm)	EXTERNAL STATIC PRESSURE (in. wg)														
	1.2			1.4			1.6			1.8			2.0		
	Rpm	Bhp	Watts	Rpm	Bhp	Watts	Rpm	Bhp	Watts	Rpm	Bhp	Watts	Rpm	Bhp	Watts
1200	1093	0.77	767	1155	0.87	861	1213	0.96	955	1268	1.05	1047	1321	1.14	1137
1300	1119	0.87	866	1181	0.98	970	1239	1.08	1073	1294	1.18	1175	1346	1.28	1275
1400	1147	0.98	972	1208	1.09	1086	1265	1.21	1199	1320	1.32	1310	1371	1.43	1419
1500	1175	1.09	1086	1235	1.22	1209	1292	1.34	1332	1346	1.46	1452	1397	1.58	1572
1600	1204	1.21	1207	1263	1.35	1340	1320	1.48	1472	1373	1.61	1603	1424	1.74	1732
1700	1233	1.34	1336	1292	1.49	1480	1348	1.63	1622	1401	1.77	1762	1451	1.91	1901
1800	1262	1.48	1473	1321	1.64	1627	1376	1.79	1779	1428	1.94	1930	1479	2.09	2078
1900	1293	1.63	1620	1350	1.79	1784	1405	1.96	1946	1457	2.12	2106	1506	2.28	2265
2000	1323	1.79	1776	1380	1.96	1950	1434	2.13	2123	1486	2.31	2293	—	—	—

LEGEND

**Bhp** — Brake Horsepower Input to Fan  
**Watts** — Input Watts to Motor

\*Motor drive range: 1075 to 1455 rpm. All other rpms require a field-supplied drive.

Refer to page 41 for general Fan Performance Data notes.

NOTES:

1. **Boldface** indicates field-supplied drive is required.
2. Maximum continuous bhp is 2.40.

**Table 18 — Fan Performance 48TF, TM006 — Vertical Discharge Units — Standard Motor**

AIRFLOW (Cfm)	LOW SPEED						MEDIUM SPEED						HIGH SPEED					
	208 V			230,460,575 V			208 V			230,460,575 V			208 V			230,460,575 V		
	ESP	Bhp	Watts	ESP	Bhp	Watts	ESP	Bhp	Watts	ESP	Bhp	Watts	ESP	Bhp	Watts	ESP	Bhp	Watts
1500	0.69	0.67	750	1.01	0.71	791	1.00	0.70	782	1.20	0.76	845	1.22	0.79	875	1.28	0.85	949
1600	0.49	0.70	780	0.85	0.74	824	0.85	0.74	821	1.06	0.79	883	1.09	0.82	913	1.17	0.89	988
1700	0.29	0.73	810	0.70	0.77	857	0.70	0.77	861	0.93	0.83	921	0.97	0.85	950	1.06	0.92	1027
1800	0.09	0.75	839	0.54	0.80	891	0.55	0.81	900	0.80	0.86	959	0.84	0.89	988	0.95	0.96	1066
1900	—	—	—	0.39	0.83	924	0.40	0.84	940	0.67	0.90	997	0.72	0.92	1025	0.84	0.99	1105
2000	—	—	—	0.23	0.86	957	0.25	0.88	979	0.54	0.93	1035	0.59	0.95	1063	0.73	1.03	1144
2100	—	—	—	0.08	0.89	990	0.10	0.91	1018	0.41	0.96	1073	0.46	0.99	1101	0.62	1.06	1183
2200	—	—	—	—	—	—	—	—	—	0.28	1.00	1111	0.34	1.02	1138	0.51	1.10	1222
2300	—	—	—	—	—	—	—	—	—	0.15	1.03	1149	0.21	1.06	1176	0.40	1.13	1261
2400	—	—	—	—	—	—	—	—	—	0.02	1.07	1187	0.09	1.09	1213	0.29	1.17	1300
2500	—	—	—	—	—	—	—	—	—	—	—	—	—	—	—	0.18	1.20	1340

LEGEND

**Bhp** — Brake Horsepower Input to Fan  
**ESP** — External Static Pressure (in. wg)

Refer to page 41 for general Fan Performance Data notes.

**Table 19 — Fan Performance 48TF006 Single-Phase — Vertical Discharge Units — Alternate Motor (Belt Drive)\***

AIRFLOW (Cfm)	EXTERNAL STATIC PRESSURE (in. wg)														
	0.2			0.4			0.6			0.8			1.0		
	Rpm	Bhp	Watts	Rpm	Bhp	Watts	Rpm	Bhp	Watts	Rpm	Bhp	Watts	Rpm	Bhp	Watts
1500	<b>802</b>	<b>0.42</b>	<b>370</b>	912	0.55	489	1006	0.70	624	1088	0.87	773	1163	1.05	935
1600	<b>840</b>	<b>0.49</b>	<b>432</b>	947	0.63	557	1038	0.78	696	1119	0.95	848	<b>1193</b>	<b>1.14</b>	<b>1013</b>
1700	878	0.57	502	982	0.71	632	1071	0.87	776	1151	1.05	932	<b>1224</b>	<b>1.24</b>	<b>1100</b>
1800	917	0.65	581	1017	0.81	716	1105	0.97	864	1183	1.15	1024	—	—	—
1900	956	0.75	668	1053	0.91	808	1139	1.08	961	<b>1216</b>	<b>1.27</b>	<b>1126</b>	—	—	—
2000	995	0.86	764	1090	1.02	910	1173	1.20	1067	—	—	—	—	—	—
2100	1035	0.98	869	1127	1.15	1021	—	—	—	—	—	—	—	—	—
2200	1075	1.11	984	1164	1.29	1141	—	—	—	—	—	—	—	—	—
2300	1115	1.25	1110	—	—	—	—	—	—	—	—	—	—	—	—
2400	—	—	—	—	—	—	—	—	—	—	—	—	—	—	—
2500	—	—	—	—	—	—	—	—	—	—	—	—	—	—	—

AIRFLOW (Cfm)	EXTERNAL STATIC PRESSURE (in. wg)														
	1.2			1.4			1.6			1.8			2.0		
	Rpm	Bhp	Watts	Rpm	Bhp	Watts	Rpm	Bhp	Watts	Rpm	Bhp	Watts	Rpm	Bhp	Watts
1500	<b>1232</b>	<b>1.25</b>	<b>1109</b>	—	—	—	—	—	—	—	—	—	—	—	—
1600	—	—	—	—	—	—	—	—	—	—	—	—	—	—	—
1700	—	—	—	—	—	—	—	—	—	—	—	—	—	—	—
1800	—	—	—	—	—	—	—	—	—	—	—	—	—	—	—
1900	—	—	—	—	—	—	—	—	—	—	—	—	—	—	—
2000	—	—	—	—	—	—	—	—	—	—	—	—	—	—	—
2100	—	—	—	—	—	—	—	—	—	—	—	—	—	—	—
2200	—	—	—	—	—	—	—	—	—	—	—	—	—	—	—
2300	—	—	—	—	—	—	—	—	—	—	—	—	—	—	—
2400	—	—	—	—	—	—	—	—	—	—	—	—	—	—	—
2500	—	—	—	—	—	—	—	—	—	—	—	—	—	—	—

LEGEND

Refer to page 41 for general Fan Performance Data notes.

**Bhp** — Brake Horsepower Input to Fan  
**Watts** — Input Watts to Motor

NOTES:

- 1. Boldface** indicates field-supplied drive is required.
- Maximum continuous bhp is 1.30.

\*Motor drive range: 875 to 1192 rpm. All other rpms require a field-supplied drive.

**Table 20 — Fan Performance 48TF006 Three-Phase — Vertical Discharge Units — Alternate Motor (Belt Drive)\***

AIRFLOW (Cfm)	EXTERNAL STATIC PRESSURE (in. wg)														
	0.2			0.4			0.6			0.8			1.0		
	Rpm	Bhp	Watts	Rpm	Bhp	Watts	Rpm	Bhp	Watts	Rpm	Bhp	Watts	Rpm	Bhp	Watts
1500	<b>802</b>	<b>0.42</b>	<b>370</b>	912	0.55	489	1006	0.70	624	1088	0.87	773	1163	1.05	935
1600	<b>840</b>	<b>0.49</b>	<b>432</b>	947	0.63	557	1038	0.78	696	1119	0.95	848	<b>1193</b>	<b>1.14</b>	<b>1013</b>
1700	878	0.57	502	982	0.71	632	1071	0.87	776	1151	1.05	932	<b>1224</b>	<b>1.24</b>	<b>1100</b>
1800	917	0.65	581	1017	0.81	716	1105	0.97	864	1183	1.15	1024	<b>1255</b>	<b>1.35</b>	<b>1197</b>
1900	956	0.75	668	1053	0.91	808	1139	1.08	961	<b>1216</b>	<b>1.27</b>	<b>1126</b>	<b>1287</b>	<b>1.47</b>	<b>1302</b>
2000	995	0.86	764	1090	1.02	910	1173	1.20	1067	<b>1249</b>	<b>1.39</b>	<b>1236</b>	<b>1319</b>	<b>1.59</b>	<b>1416</b>
2100	1035	0.98	869	1127	1.15	1021	1209	1.33	1183	<b>1283</b>	<b>1.53</b>	<b>1357</b>	<b>1351</b>	<b>1.74</b>	<b>1541</b>
2200	1075	1.11	984	1164	1.29	1141	1244	1.47	1309	<b>1317</b>	<b>1.68</b>	<b>1488</b>	<b>1385</b>	<b>1.89</b>	<b>1676</b>
2300	1115	1.25	1110	1202	1.43	<b>1273</b>	<b>1280</b>	<b>1.63</b>	<b>1446</b>	<b>1352</b>	<b>1.83</b>	<b>1629</b>	<b>1418</b>	<b>2.05</b>	<b>1822</b>
2400	1155	1.40	<b>1246</b>	<b>1240</b>	<b>1.59</b>	<b>1415</b>	<b>1316</b>	<b>1.79</b>	<b>1594</b>	<b>1387</b>	<b>2.01</b>	<b>1782</b>	<b>1452</b>	<b>2.23</b>	<b>1980</b>
2500	1196	1.57	<b>1394</b>	<b>1278</b>	<b>1.77</b>	<b>1569</b>	<b>1353</b>	<b>1.97</b>	<b>1753</b>	<b>1422</b>	<b>2.19</b>	<b>1946</b>	—	—	—

AIRFLOW (Cfm)	EXTERNAL STATIC PRESSURE (in. wg)														
	1.2			1.4			1.6			1.8			2.0		
	Rpm	Bhp	Watts	Rpm	Bhp	Watts	Rpm	Bhp	Watts	Rpm	Bhp	Watts	Rpm	Bhp	Watts
1500	<b>1232</b>	<b>1.25</b>	<b>1109</b>	<b>1297</b>	<b>1.46</b>	<b>1295</b>	<b>1357</b>	<b>1.68</b>	<b>1492</b>	<b>1415</b>	<b>1.91</b>	<b>1700</b>	<b>1469</b>	<b>2.16</b>	<b>1917</b>
1600	<b>1262</b>	<b>1.34</b>	<b>1190</b>	<b>1325</b>	<b>1.55</b>	<b>1379</b>	<b>1385</b>	<b>1.78</b>	<b>1579</b>	<b>1442</b>	<b>2.01</b>	<b>1788</b>	<b>1496</b>	<b>2.26</b>	<b>2009</b>
1700	<b>1291</b>	<b>1.44</b>	<b>1281</b>	<b>1354</b>	<b>1.66</b>	<b>1472</b>	<b>1414</b>	<b>1.89</b>	<b>1674</b>	<b>1470</b>	<b>2.12</b>	<b>1887</b>	<b>1524</b>	<b>2.37</b>	<b>2109</b>
1800	<b>1322</b>	<b>1.55</b>	<b>1380</b>	<b>1384</b>	<b>1.77</b>	<b>1575</b>	<b>1443</b>	<b>2.00</b>	<b>1779</b>	<b>1499</b>	<b>2.25</b>	<b>1994</b>	—	—	—
1900	<b>1352</b>	<b>1.68</b>	<b>1489</b>	<b>1414</b>	<b>1.90</b>	<b>1687</b>	<b>1472</b>	<b>2.13</b>	<b>1894</b>	<b>1528</b>	<b>2.38</b>	<b>2112</b>	—	—	—
2000	<b>1384</b>	<b>1.81</b>	<b>1607</b>	<b>1445</b>	<b>2.04</b>	<b>1808</b>	<b>1502</b>	<b>2.27</b>	<b>2019</b>	—	—	—	—	—	—
2100	<b>1415</b>	<b>1.95</b>	<b>1736</b>	<b>1476</b>	<b>2.18</b>	<b>1940</b>	—	—	—	—	—	—	—	—	—
2200	<b>1448</b>	<b>2.11</b>	<b>1875</b>	<b>1507</b>	<b>2.35</b>	<b>2083</b>	—	—	—	—	—	—	—	—	—
2300	<b>1480</b>	<b>2.28</b>	<b>2025</b>	—	—	—	—	—	—	—	—	—	—	—	—
2400	—	—	—	—	—	—	—	—	—	—	—	—	—	—	—
2500	—	—	—	—	—	—	—	—	—	—	—	—	—	—	—

LEGEND

Refer to page 41 for general Fan Performance Data notes.

**Bhp** — Brake Horsepower Input to Fan  
**Watts** — Input Watts to Motor

NOTES:

- 1. Boldface** indicates field-supplied drive is required.
- Maximum continuous bhp is 2.40.

\*Motor drive range: 875 to 1192 rpm. All other rpms require a field-supplied drive.

**Table 21 — Fan Performance 48TM006 Single-Phase — Vertical Discharge Units — Alternate Motor (Belt Drive)\***

AIRFLOW (Cfm)	EXTERNAL STATIC PRESSURE (in. wg)														
	0.2			0.4			0.6			0.8			1.0		
	Rpm	Bhp	Watts	Rpm	Bhp	Watts	Rpm	Bhp	Watts	Rpm	Bhp	Watts	Rpm	Bhp	Watts
1500	802	0.42	370	912	0.55	489	1006	0.70	624	1088	0.87	773	1163	1.05	935
1600	840	0.49	432	947	0.63	557	1038	0.78	696	1119	0.95	848	1193	1.14	1013
1700	878	0.57	502	982	0.71	632	1071	0.87	776	1151	1.05	932	1224	1.24	1100
1800	917	0.65	581	1017	0.81	716	1105	0.97	864	1183	1.15	1024	—	—	—
1900	956	0.75	668	1053	0.91	808	1139	1.08	961	1216	1.27	1126	—	—	—
2000	995	0.86	764	1090	1.02	910	1173	1.20	1067	—	—	—	—	—	—
2100	1035	0.98	869	1127	1.15	1021	—	—	—	—	—	—	—	—	—
2200	1075	1.11	984	1164	1.29	1141	—	—	—	—	—	—	—	—	—
2300	1115	1.25	1110	—	—	—	—	—	—	—	—	—	—	—	—
2400	—	—	—	—	—	—	—	—	—	—	—	—	—	—	—
2500	—	—	—	—	—	—	—	—	—	—	—	—	—	—	—

AIRFLOW (Cfm)	EXTERNAL STATIC PRESSURE (in. wg)														
	1.2			1.4			1.6			1.8			2.0		
	Rpm	Bhp	Watts	Rpm	Bhp	Watts	Rpm	Bhp	Watts	Rpm	Bhp	Watts	Rpm	Bhp	Watts
1500	1232	1.25	1109	—	—	—	—	—	—	—	—	—	—	—	—
1600	—	—	—	—	—	—	—	—	—	—	—	—	—	—	—
1700	—	—	—	—	—	—	—	—	—	—	—	—	—	—	—
1800	—	—	—	—	—	—	—	—	—	—	—	—	—	—	—
1900	—	—	—	—	—	—	—	—	—	—	—	—	—	—	—
2000	—	—	—	—	—	—	—	—	—	—	—	—	—	—	—
2100	—	—	—	—	—	—	—	—	—	—	—	—	—	—	—
2200	—	—	—	—	—	—	—	—	—	—	—	—	—	—	—
2300	—	—	—	—	—	—	—	—	—	—	—	—	—	—	—
2400	—	—	—	—	—	—	—	—	—	—	—	—	—	—	—
2500	—	—	—	—	—	—	—	—	—	—	—	—	—	—	—

LEGEND

Bhp — Brake Horsepower Input to Fan  
Watts — Input Watts to Motor

Refer to page 41 for general Fan Performance Data notes.

NOTES:

1. **Boldface** indicates field-supplied drive is required.
2. Maximum continuous bhp is 1.30.

\*Motor drive range: 900 to 1300 rpm. All other rpms require a field-supplied drive.

**Table 22 — Fan Performance 48TM006 Three-Phase — Vertical Discharge Units — Alternate Motor (Belt Drive)\***

AIRFLOW (Cfm)	EXTERNAL STATIC PRESSURE (in. wg)														
	0.2			0.4			0.6			0.8			1.0		
	Rpm	Bhp	Watts	Rpm	Bhp	Watts	Rpm	Bhp	Watts	Rpm	Bhp	Watts	Rpm	Bhp	Watts
1500	802	0.42	370	912	0.55	489	1006	0.70	624	1088	0.87	773	1163	1.05	935
1600	840	0.49	432	947	0.63	557	1038	0.78	696	1119	0.95	848	1193	1.14	1013
1700	878	0.57	502	982	0.71	632	1071	0.87	776	1151	1.05	932	1224	1.24	1100
1800	917	0.65	581	1017	0.81	716	1105	0.97	864	1183	1.15	1024	1255	1.35	1197
1900	956	0.75	668	1053	0.91	808	1139	1.08	961	1216	1.27	1126	1287	1.47	1302
2000	995	0.86	764	1090	1.02	910	1173	1.20	1067	1249	1.39	1236	1319	1.59	1416
2100	1035	0.98	869	1127	1.15	1021	1209	1.33	1183	1283	1.53	1357	1351	1.74	1541
2200	1075	1.11	984	1164	1.29	1141	1244	1.47	1309	1317	1.68	1488	1385	1.89	1676
2300	1115	1.25	1110	1202	1.43	1273	1280	1.63	1446	1352	1.83	1629	1418	2.05	1822
2400	1155	1.40	1246	1240	1.59	1415	1316	1.79	1594	1387	2.01	1782	1452	2.23	1980
2500	1196	1.57	1394	1278	1.77	1569	1353	1.97	1753	1422	2.19	1946	—	—	—

LEGEND

Bhp — Brake Horsepower Input to Fan  
Watts — Input Watts to Motor

Refer to page 41 for general Fan Performance Data notes.

NOTES:

1. **Boldface** indicates field-supplied drive is required.
2. Maximum continuous bhp is 2.40.

\*Motor drive range: 900 to 1300 rpm. All other rpms require a field-supplied drive.

**Table 23 — Fan Performance 48TF, TM006 — Vertical Discharge Units — High-Static Motor (Belt Drive)\***

AIRFLOW (Cfm)	EXTERNAL STATIC PRESSURE (in. wg)														
	0.2			0.4			0.6			0.8			1.0		
	Rpm	Bhp	Watts	Rpm	Bhp	Watts	Rpm	Bhp	Watts	Rpm	Bhp	Watts	Rpm	Bhp	Watts
1500	802	0.42	370	912	0.55	489	1006	0.70	624	1088	0.87	773	1163	1.05	935
1600	840	0.49	432	947	0.63	557	1038	0.78	696	1119	0.95	848	1193	1.14	1013
1700	878	0.57	502	982	0.71	632	1071	0.87	776	1151	1.05	932	1224	1.24	1100
1800	917	0.65	581	1017	0.81	716	1105	0.97	864	1183	1.15	1024	1255	1.35	1197
1900	956	0.75	668	1053	0.91	808	1139	1.08	961	1216	1.27	1126	1287	1.47	1302
2000	995	0.86	764	1090	1.02	910	1173	1.20	1067	1249	1.39	1236	1319	1.59	1416
2100	1035	0.98	869	1127	1.15	1021	1209	1.33	1183	1283	1.53	1357	1351	1.74	1541
2200	1075	1.11	984	1164	1.29	1141	1244	1.47	1309	1317	1.68	1488	1385	1.89	1676
2300	1115	1.25	1110	1202	1.43	1273	1280	1.63	1446	1352	1.83	1629	1418	2.05	1822
2400	1155	1.40	1246	1240	1.59	1415	1316	1.79	1594	1387	2.01	1782	1452	2.23	1980
2500	1196	1.57	1394	1278	1.77	1569	1353	1.97	1753	1422	2.19	1946	1486	2.42	2149

AIRFLOW (Cfm)	EXTERNAL STATIC PRESSURE (in. wg)														
	1.2			1.4			1.6			1.8			2.0		
	Rpm	Bhp	Watts	Rpm	Bhp	Watts	Rpm	Bhp	Watts	Rpm	Bhp	Watts	Rpm	Bhp	Watts
1500	1232	1.25	1109	1297	1.46	1295	1357	1.68	1492	1415	1.91	1700	1469	2.16	1917
1600	1262	1.34	1190	1325	1.55	1379	1385	1.78	1579	1442	2.01	1788	1496	2.26	2009
1700	1291	1.44	1281	1354	1.66	1472	1414	1.89	1674	1470	2.12	1887	1524	2.37	2109
1800	1322	1.55	1380	1384	1.77	1575	1443	2.00	1779	1499	2.25	1994	1552	2.50	2219
1900	1352	1.68	1489	1414	1.90	1687	1472	2.13	1894	1528	2.38	2112	1580	2.63	2339
2000	1384	1.81	1607	1445	2.04	1808	1502	2.27	2019	1557	2.52	2240	1609	2.78	2470
2100	1415	1.95	1736	1476	2.18	1940	1533	2.43	2155	1587	2.68	2378	—	—	—
2200	1448	2.11	1875	1507	2.35	2083	1563	2.59	2301	1617	2.85	2528	—	—	—
2300	1480	2.28	2025	1539	2.52	2237	1595	2.77	2459	—	—	—	—	—	—
2400	1513	2.46	2187	1571	2.71	2403	—	—	—	—	—	—	—	—	—
2500	1547	2.66	2360	—	—	—	—	—	—	—	—	—	—	—	—

LEGEND

Refer to page 41 for general Fan Performance Data notes.

**Bhp** — Brake Horsepower Input to Fan  
**Watts** — Input Watts to Motor

NOTES:

- 1. Boldface** indicates field-supplied drive is required.
- Maximum continuous bhp is 2.90.

\*Motor drive range: 1300 to 1685 rpm. All other rpms require a field-supplied drive.

**Table 24 — Fan Performance 48TF, TM007 — Vertical Discharge Units — Standard Motor (Belt Drive)\***

AIRFLOW (Cfm)	EXTERNAL STATIC PRESSURE (in. wg)														
	0.2			0.4			0.6			0.8			1.0		
	Rpm	Bhp	Watts	Rpm	Bhp	Watts	Rpm	Bhp	Watts	Rpm	Bhp	Watts	Rpm	Bhp	Watts
1800	967	0.65	579	1077	0.81	718	1172	0.96	856	1257	1.12	993	1334	1.27	1130
1900	1007	0.75	663	1115	0.91	811	1208	1.08	957	1291	1.24	1101	1368	1.40	1246
2000	1048	0.85	757	1153	1.03	913	1244	1.20	1066	1326	1.37	1219	1401	1.54	1371
2100	1090	0.97	859	1191	1.15	1023	1281	1.33	1185	1361	1.51	1345	1435	1.69	1505
2200	1131	1.09	970	1230	1.29	1143	1318	1.48	1313	1397	1.67	1481	1470	1.86	1649
2300	1173	1.23	1091	1269	1.43	1273	1355	1.63	1451	1433	1.83	1627	1505	2.03	1803
2400	1215	1.38	1223	1309	1.59	1413	1393	1.80	1600	1470	2.01	1784	1540	2.21	1967
2500	1258	1.54	1365	1349	1.76	1564	1431	1.98	1759	1506	2.20	1951	—	—	—
2600	1300	1.71	1518	1389	1.94	1726	1470	2.17	1929	1544	2.40	2130	—	—	—
2700	1343	1.90	1683	1430	2.14	1899	1509	2.38	2111	—	—	—	—	—	—
2800	1386	2.09	1860	1471	2.35	2085	—	—	—	—	—	—	—	—	—
2900	1429	2.31	2050	—	—	—	—	—	—	—	—	—	—	—	—
3000	—	—	—	—	—	—	—	—	—	—	—	—	—	—	—

AIRFLOW (Cfm)	EXTERNAL STATIC PRESSURE (in. wg)														
	1.2			1.4			1.6			1.8			2.0		
	Rpm	Bhp	Watts	Rpm	Bhp	Watts	Rpm	Bhp	Watts	Rpm	Bhp	Watts	Rpm	Bhp	Watts
1800	1406	1.43	1268	1473	1.58	1407	1535	1.74	1548	1595	1.90	1690	1652	2.06	1833
1900	1438	1.57	1391	1504	1.73	1537	1567	1.90	1685	1626	2.06	1833	1682	2.23	1983
2000	1471	1.72	1523	1536	1.89	1677	1598	2.06	1831	1657	2.24	1986	—	—	—
2100	1504	1.87	1665	1569	2.06	1825	1630	2.24	1986	—	—	—	—	—	—
2200	1538	2.04	1816	1602	2.23	1984	—	—	—	—	—	—	—	—	—
2300	1572	2.23	1978	—	—	—	—	—	—	—	—	—	—	—	—
2400	—	—	—	—	—	—	—	—	—	—	—	—	—	—	—
2500	—	—	—	—	—	—	—	—	—	—	—	—	—	—	—
2600	—	—	—	—	—	—	—	—	—	—	—	—	—	—	—
2700	—	—	—	—	—	—	—	—	—	—	—	—	—	—	—
2800	—	—	—	—	—	—	—	—	—	—	—	—	—	—	—
2900	—	—	—	—	—	—	—	—	—	—	—	—	—	—	—
3000	—	—	—	—	—	—	—	—	—	—	—	—	—	—	—

LEGEND

Refer to page 41 for general Fan Performance Data notes.

**Bhp** — Brake Horsepower Input to Fan  
**Watts** — Input Watts to Motor

NOTES:

- 1. Boldface** indicates field-supplied drive is required.
- Maximum continuous bhp is 2.40.

\*Motor drive range: 1070 to 1460 rpm. All other rpms require a field-supplied drive.

**Table 25 — Fan Performance 48TF, TM007 — Vertical Discharge Units — High-Static Motor (Belt Drive)\***

AIRFLOW (Cfm)	EXTERNAL STATIC PRESSURE (in. wg)														
	0.2			0.4			0.6			0.8			1.0		
	Rpm	Bhp	Watts	Rpm	Bhp	Watts	Rpm	Bhp	Watts	Rpm	Bhp	Watts	Rpm	Bhp	Watts
1800	967	0.65	579	1077	0.81	718	1172	0.96	856	1257	1.12	993	1334	1.27	1130
1900	1007	0.75	663	1115	0.91	811	1208	1.08	957	1291	1.24	1101	1368	1.40	1246
2000	1048	0.85	757	1153	1.03	913	1244	1.20	1066	1326	1.37	1219	1401	1.54	1371
2100	1090	0.97	859	1191	1.15	1023	1281	1.33	1185	1361	1.51	1345	1435	1.69	1505
2200	1131	1.09	970	1230	1.29	1143	1318	1.48	1313	1397	1.67	1481	1470	1.86	1649
2300	1173	1.23	1091	1269	1.43	1273	1355	1.63	1451	1433	1.83	1627	1505	2.03	1803
2400	1215	1.38	1223	1309	1.59	1413	1393	1.80	1600	1470	2.01	1784	1540	2.21	1967
2500	1258	1.54	1365	1349	1.76	1564	1431	1.98	1759	1506	2.20	1951	1576	2.41	2142
2600	1300	1.71	1518	1389	1.94	1726	1470	2.17	1929	1544	2.40	2130	1613	2.62	2329
2700	1343	1.90	1683	1430	2.14	1899	1509	2.38	2111	1581	2.61	2320	1649	2.85	2527
2800	1386	2.09	1860	1471	2.35	2085	1548	2.60	2305	1619	2.84	2522	—	—	—
2900	1429	2.31	2050	1512	2.57	2283	1588	2.83	2512	—	—	—	—	—	—
3000	1473	2.54	2252	1553	2.81	2494	—	—	—	—	—	—	—	—	—

AIRFLOW (Cfm)	EXTERNAL STATIC PRESSURE (in. wg)														
	1.2			1.4			1.6			1.8			2.0		
	Rpm	Bhp	Watts	Rpm	Bhp	Watts	Rpm	Bhp	Watts	Rpm	Bhp	Watts	Rpm	Bhp	Watts
1800	1406	1.43	1268	1473	1.58	1407	1535	1.74	1548	1595	1.90	1690	1652	2.06	1833
1900	1438	1.57	1391	1504	1.73	1537	1567	1.90	1685	1626	2.06	1833	1682	2.23	1983
2000	1471	1.72	1523	1536	1.89	1677	1598	2.06	1831	1657	2.24	1986	1713	2.41	2142
2100	1504	1.87	1665	1569	2.06	1825	1630	2.24	1986	<b>1688</b>	<b>2.42</b>	<b>2149</b>	<b>1744</b>	<b>2.60</b>	<b>2312</b>
2200	1538	2.04	1816	1602	2.23	1984	1663	2.42	2152	<b>1720</b>	<b>2.61</b>	<b>2321</b>	<b>1775</b>	<b>2.81</b>	<b>2491</b>
2300	1572	2.23	1978	1635	2.42	2153	<b>1695</b>	<b>2.62</b>	<b>2328</b>	<b>1753</b>	<b>2.82</b>	<b>2504</b>	—	—	—
2400	1607	2.42	2150	1669	2.63	2332	<b>1729</b>	<b>2.83</b>	<b>2515</b>	—	—	—	—	—	—
2500	1642	2.63	2333	<b>1704</b>	<b>2.84</b>	<b>2523</b>	—	—	—	—	—	—	—	—	—
2600	1677	2.85	2527	—	—	—	—	—	—	—	—	—	—	—	—
2700	—	—	—	—	—	—	—	—	—	—	—	—	—	—	—
2800	—	—	—	—	—	—	—	—	—	—	—	—	—	—	—
2900	—	—	—	—	—	—	—	—	—	—	—	—	—	—	—
3000	—	—	—	—	—	—	—	—	—	—	—	—	—	—	—

LEGEND

Bhp — Brake Horsepower Input to Fan  
Watts — Input Watts to Motor

Refer to page 41 for general Fan Performance Data notes.

NOTES:

- 1. Boldface** indicates field-supplied drive is required.
- Maximum continuous bhp is 2.90.

\*Motor drive range: 1300 to 1685 rpm. All other rpms require a field-supplied drive.

**Table 26 — Fan Performance 48TF, TM004 — Horizontal Discharge Units — Standard Motor**

AIRFLOW (Cfm)	LOW SPEED						HIGH SPEED					
	208 V			230, 460, 575 V			208 V			230, 460, 575 V		
	ESP	Bhp	Watts	ESP	Bhp	Watts	ESP	Bhp	Watts	ESP	Bhp	Watts
900	0.54	0.21	253	0.57	0.23	277	0.55	0.26	307	0.60	0.31	363
1000	0.49	0.23	270	0.51	0.25	292	0.52	0.27	321	0.53	0.32	374
1100	0.43	0.24	287	0.45	0.26	307	0.46	0.28	335	0.49	0.33	385
1200	0.39	0.26	304	0.40	0.27	323	0.38	0.29	349	0.43	0.34	397
1300	0.33	0.27	321	0.35	0.29	338	0.35	0.31	364	0.36	0.34	408
1400	0.26	0.29	338	0.28	0.30	354	0.29	0.32	378	—	—	—
1500	0.21	0.30	355	0.23	0.31	369	0.24	0.33	392	—	—	—

LEGEND

Bhp — Brake Horsepower Input to Fan  
ESP — External Static Pressure (in. wg)

Refer to page 41 for general Fan Performance Data notes.

**Table 27 — Fan Performance 48TF004 — Horizontal Discharge Units — Alternate Motor (Belt Drive)\***

AIRFLOW (Cfm)	EXTERNAL STATIC PRESSURE (in. wg)														
	0.2			0.4			0.6			0.8			1.0		
	Rpm	Bhp	Watts	Rpm	Bhp	Watts	Rpm	Bhp	Watts	Rpm	Bhp	Watts	Rpm	Bhp	Watts
900	607	0.14	142	745	<b>0.22</b>	221	856	0.31	304	952	0.39	393	1037	0.49	485
1000	640	0.18	174	775	0.26	261	884	0.35	351	978	0.45	446	1062	0.55	545
1100	674	0.21	212	805	0.31	307	912	0.41	404	<b>1005</b>	<b>0.51</b>	<b>506</b>	<b>1089</b>	<b>0.61</b>	<b>611</b>
1200	708	0.26	256	836	0.36	359	941	0.47	464	<b>1033</b>	<b>0.57</b>	<b>572</b>	<b>1116</b>	<b>0.69</b>	<b>683</b>
1300	743	0.31	307	868	0.42	417	971	0.53	530	<b>1062</b>	<b>0.65</b>	<b>645</b>	<b>1143</b>	<b>0.77</b>	<b>764</b>
1400	780	0.37	364	900	0.49	483	<b>1002</b>	<b>0.61</b>	<b>603</b>	<b>1091</b>	<b>0.73</b>	<b>726</b>	<b>1172</b>	<b>0.86</b>	<b>851</b>
1500	816	0.43	428	934	0.56	556	<b>1033</b>	<b>0.69</b>	<b>685</b>	<b>1121</b>	<b>0.82</b>	<b>815</b>	<b>1201</b>	<b>0.95</b>	<b>947</b>

AIRFLOW (Cfm)	EXTERNAL STATIC PRESSURE (in. wg)														
	1.2			1.4			1.6			1.8			2.0		
	Rpm	Bhp	Watts	Rpm	Bhp	Watts	Rpm	Bhp	Watts	Rpm	Bhp	Watts	Rpm	Bhp	Watts
900	1114	0.59	582	1186	0.69	684	1253	0.79	789	1316	0.90	898	1375	1.02	1010
1000	1139	0.65	648	1210	0.76	754	1277	0.87	865	1340	0.98	979	1399	1.10	1097
1100	1165	0.72	720	1236	0.84	832	1302	0.95	948	1364	1.07	1068	1423	1.20	1191
1200	1191	0.80	799	1261	0.92	917	1327	1.04	1039	1389	1.17	1165	—	—	—
1300	1218	0.89	885	1288	1.02	1010	1353	1.14	1138	—	—	—	—	—	—
1400	1246	0.99	980	1315	1.12	1111	—	—	—	—	—	—	—	—	—
1500	1274	1.09	1083	—	—	—	—	—	—	—	—	—	—	—	—

LEGEND

**Bhp** — Brake Horsepower Input to Fan  
**Watts** — Input Watts to Motor

\*Motor drive range: 760 to 1000 rpm. All other rpms require a field-supplied drive.

Refer to page 41 for general Fan Performance Data notes.

NOTES:

1. **Boldface** indicates field-supplied drive is required.
2. Maximum continuous bhp is 1.20.

**Table 28 — Fan Performance 48TM004 — Horizontal Discharge Units — Alternate Motor (Belt Drive)\***

AIRFLOW (Cfm)	EXTERNAL STATIC PRESSURE (in. wg)														
	0.2			0.4			0.6			0.8			1.0		
	Rpm	Bhp	Watts	Rpm	Bhp	Watts	Rpm	Bhp	Watts	Rpm	Bhp	Watts	Rpm	Bhp	Watts
900	607	0.14	142	745	0.22	221	856	0.31	304	952	0.39	393	1037	0.49	485
1000	640	0.18	174	775	0.26	261	884	0.35	351	978	0.45	446	1062	0.55	545
1100	674	0.21	212	805	0.31	307	912	0.41	404	1005	0.51	506	1089	0.61	611
1200	708	0.26	256	836	0.36	359	941	0.47	464	1033	0.57	572	1116	0.69	683
1300	743	0.31	307	868	0.42	417	971	0.53	530	<b>1062</b>	<b>0.65</b>	<b>645</b>	<b>1143</b>	<b>0.77</b>	<b>764</b>
1400	780	0.37	364	900	0.49	483	1002	0.61	603	<b>1091</b>	<b>0.73</b>	<b>726</b>	<b>1172</b>	<b>0.86</b>	<b>851</b>
1500	816	0.43	428	934	0.56	556	1033	0.69	685	<b>1121</b>	<b>0.82</b>	<b>815</b>	<b>1201</b>	<b>0.95</b>	<b>947</b>

LEGEND

**Bhp** — Brake Horsepower Input to Fan  
**Watts** — Input Watts to Motor

\*Motor drive range: 685 to 1045 rpm. All other rpms require a field-supplied drive.

Refer to page 41 for general Fan Performance Data notes.

NOTES:

1. **Boldface** indicates field-supplied drive is required.
2. Maximum continuous bhp is 1.20.

**Table 29 — Fan Performance 48TF, TM004 — Horizontal Discharge Units — High-Static Motor (Belt Drive)\***

AIRFLOW (Cfm)	EXTERNAL STATIC PRESSURE (in. wg)														
	0.2			0.4			0.6			0.8			1.0		
	Rpm	Bhp	Watts	Rpm	Bhp	Watts	Rpm	Bhp	Watts	Rpm	Bhp	Watts	Rpm	Bhp	Watts
900	607	0.14	142	745	0.22	221	856	0.31	304	952	0.39	393	1037	0.49	485
1000	640	0.18	174	775	0.26	261	884	0.35	351	978	0.45	446	1062	0.55	545
1100	674	0.21	212	805	0.31	307	912	0.41	404	1005	0.51	506	1089	0.61	611
1200	708	0.26	256	836	0.36	359	941	0.47	464	1033	0.57	572	1116	0.69	683
1300	743	0.31	307	868	0.42	417	971	0.53	530	1062	0.65	645	1143	0.77	764
1400	780	0.37	364	900	0.49	483	1002	0.61	603	1091	0.73	726	1172	0.86	851
1500	816	0.43	428	934	0.56	556	1033	0.69	685	1121	0.82	815	1201	0.95	947

AIRFLOW (Cfm)	EXTERNAL STATIC PRESSURE (in. wg)														
	1.2			1.4			1.6			1.8			2.0		
	Rpm	Bhp	Watts	Rpm	Bhp	Watts	Rpm	Bhp	Watts	Rpm	Bhp	Watts	Rpm	Bhp	Watts
900	1114	0.59	582	1186	0.69	684	1253	0.79	789	1316	0.90	898	1375	1.02	1010
1000	1139	0.65	648	1210	0.76	754	1277	0.87	865	1340	0.98	979	1399	1.10	1097
1100	1165	0.72	720	1236	0.84	832	1302	0.95	948	1364	1.07	1068	1423	1.20	1191
1200	1191	0.80	799	1261	0.92	917	1327	1.04	1039	1389	1.17	1165	1448	1.30	1293
1300	1218	0.89	885	1288	1.02	1010	1353	1.14	1138	1414	1.28	1270	<b>1473</b>	<b>1.41</b>	<b>1404</b>
1400	1246	0.99	980	1315	1.12	1111	1379	1.25	1246	1440	1.39	1383	<b>1499</b>	<b>1.53</b>	<b>1523</b>
1500	1274	1.09	1083	1342	1.23	1221	1406	1.37	1362	<b>1467</b>	<b>1.51</b>	<b>1505</b>	<b>1525</b>	<b>1.66</b>	<b>1652</b>

LEGEND

**Bhp** — Brake Horsepower Input to Fan  
**Watts** — Input Watts to Motor

\*Motor drive range: 1075 to 1455 rpm. All other rpms require a field-supplied drive.

Refer to page 41 for general Fan Performance Data notes.

NOTES:

- 1. Boldface** indicates field-supplied drive is required.
- Maximum continuous bhp is 2.40.

**Table 30 — Fan Performance — 48TF, TM005 — Horizontal Discharge Units — Standard Motor**

AIRFLOW (Cfm)	LOW SPEED						HIGH SPEED					
	208 V			230, 460, 575 V			208 V			230, 460, 575 V		
	ESP	Bhp	Watts	ESP	Bhp	Watts	ESP	Bhp	Watts	ESP	Bhp	Watts
1200	0.75	0.41	458	0.81	0.45	506	0.87	0.51	572	0.92	0.56	632
1300	0.68	0.42	471	0.74	0.46	521	0.79	0.52	589	0.85	0.58	651
1400	0.60	0.45	503	0.66	0.49	556	0.71	0.54	616	0.77	0.60	681
1500	0.51	0.47	536	0.58	0.52	593	0.64	0.56	631	0.70	0.62	698
1600	0.42	0.49	557	0.49	0.54	616	0.56	0.58	654	0.63	0.64	723
1700	0.32	0.52	584	0.39	0.57	646	0.48	0.60	678	0.55	0.66	750
1800	0.21	0.54	610	0.29	0.60	674	0.41	0.62	698	0.48	0.68	772
1900	0.09	0.56	629	0.18	0.62	696	0.33	0.64	720	0.41	0.70	796
2000	—	—	—	0.06	0.65	731	0.26	0.66	744	0.33	0.73	823

LEGEND

**Bhp** — Brake Horsepower Input to Fan  
**ESP** — External Static Pressure (in. wg)

Refer to page 41 for general Fan Performance Data notes.

**Table 31 — Fan Performance 48TF, TM005 — Horizontal Discharge Units — Alternate Motor (Belt Drive)\***

AIRFLOW (Cfm)	EXTERNAL STATIC PRESSURE (in. wg)														
	0.2			0.4			0.6			0.8			1.0		
	Rpm	Bhp	Watts	Rpm	Bhp	Watts	Rpm	Bhp	Watts	Rpm	Bhp	Watts	Rpm	Bhp	Watts
1200	643	0.23	234	762	0.34	343	859	0.46	458	944	0.58	579	1020	0.71	705
1300	675	0.28	277	790	0.40	394	886	0.52	517	969	0.65	644	1044	0.78	777
1400	707	0.33	326	819	0.45	452	913	0.58	581	996	0.72	716	1070	0.86	855
1500	740	0.38	382	849	0.52	515	941	0.66	653	1023	0.80	795	1096	0.95	941
1600	773	0.45	444	879	0.59	586	970	0.73	731	1050	0.88	880	1123	1.04	1034
1700	807	0.52	513	910	0.67	663	999	0.82	817	1078	0.98	973	1150	1.14	1134
1800	841	0.59	589	942	0.75	749	1029	0.91	910	1106	1.08	1074	—	—	—
1900	875	0.68	674	974	0.85	842	1059	1.02	1012	1135	1.19	1184	—	—	—
2000	910	0.77	767	1006	0.95	944	1090	1.13	1122	—	—	—	—	—	—

AIRFLOW (Cfm)	EXTERNAL STATIC PRESSURE (in. wg)														
	1.2			1.4			1.6			1.8			2.0		
	Rpm	Bhp	Watts	Rpm	Bhp	Watts	Rpm	Bhp	Watts	Rpm	Bhp	Watts	Rpm	Bhp	Watts
1200	1089	0.84	837	1153	0.98	974	1213	1.12	1115	—	—	—	—	—	—
1300	1113	0.92	915	1177	1.06	1058	—	—	—	—	—	—	—	—	—
1400	1138	1.01	1000	1201	1.15	1149	—	—	—	—	—	—	—	—	—
1500	1163	1.10	1092	—	—	—	—	—	—	—	—	—	—	—	—
1600	1189	1.20	1191	—	—	—	—	—	—	—	—	—	—	—	—
1700	—	—	—	—	—	—	—	—	—	—	—	—	—	—	—
1800	—	—	—	—	—	—	—	—	—	—	—	—	—	—	—
1900	—	—	—	—	—	—	—	—	—	—	—	—	—	—	—
2000	—	—	—	—	—	—	—	—	—	—	—	—	—	—	—

LEGEND

**Bhp** — Brake Horsepower Input to Fan  
**Watts** — Input Watts to Motor

\*Motor drive range: 770 to 1175 rpm. All other rpms require a field-supplied drive.

Refer to page 41 for general Fan Performance Data notes.

NOTES:

1. **Boldface** indicates field-supplied drive is required.
2. Maximum continuous bhp is 1.20.

**Table 32 — Fan Performance 48TF, TM005 — Horizontal Discharge Units — High-Static Motor (Belt Drive)\***

AIRFLOW (Cfm)	EXTERNAL STATIC PRESSURE (in. wg)														
	0.2			0.4			0.6			0.8			1.0		
	Rpm	Bhp	Watts	Rpm	Bhp	Watts	Rpm	Bhp	Watts	Rpm	Bhp	Watts	Rpm	Bhp	Watts
1200	643	0.23	234	762	0.34	343	859	0.46	458	944	0.58	579	1020	0.71	705
1300	675	0.28	277	790	0.40	394	886	0.52	517	969	0.65	644	1044	0.78	777
1400	707	0.33	326	819	0.45	452	913	0.58	581	996	0.72	716	1070	0.86	855
1500	740	0.38	382	849	0.52	515	941	0.66	653	1023	0.80	795	1096	0.95	941
1600	773	0.45	444	879	0.59	586	970	0.73	731	1050	0.88	880	1123	1.04	1034
1700	807	0.52	513	910	0.67	663	999	0.82	817	1078	0.98	973	1150	1.14	1134
1800	841	0.59	589	942	0.75	749	1029	0.91	910	1106	1.08	1074	1177	1.25	1242
1900	875	0.68	674	974	0.85	842	1059	1.02	1012	1135	1.19	1184	1205	1.37	1360
2000	910	0.77	767	1006	0.95	944	1090	1.13	1122	1165	1.31	1302	1234	1.49	1485

AIRFLOW (Cfm)	EXTERNAL STATIC PRESSURE (in. wg)														
	1.2			1.4			1.6			1.8			2.0		
	Rpm	Bhp	Watts	Rpm	Bhp	Watts	Rpm	Bhp	Watts	Rpm	Bhp	Watts	Rpm	Bhp	Watts
1200	1089	0.84	837	1153	0.98	974	1213	1.12	1115	1270	1.27	1262	1324	1.42	1413
1300	1113	0.92	915	1177	1.06	1058	1237	1.21	1205	1293	1.36	1358	1347	1.52	1514
1400	1138	1.01	1000	1201	1.15	1149	1261	1.31	1303	1317	1.47	1461	1370	1.63	1623
1500	1163	1.10	1092	1226	1.25	1247	1285	1.41	1407	1341	1.58	1571	1394	1.75	1740
1600	1189	1.20	1191	1252	1.36	1353	1310	1.53	1520	1365	1.70	1690	1418	1.87	1865
1700	1216	1.31	1299	1277	1.48	1468	1335	1.65	1640	1390	1.83	1817	1442	2.01	1998
1800	1242	1.42	1414	1303	1.60	1590	1361	1.78	1770	1415	1.96	1953	1467	2.15	2140
1900	1270	1.55	1538	1330	1.73	1721	1387	1.92	1908	1441	2.11	2098	1493	2.30	2292
2000	1297	1.68	1672	1357	1.87	1862	1414	2.07	2055	1467	2.26	2252	—	—	—

LEGEND

**Bhp** — Brake Horsepower Input to Fan  
**Watts** — Input Watts to Motor

\*Motor drive range: 1075 to 1455 rpm. All other rpms require a field-supplied drive.

Refer to page 41 for general Fan Performance Data notes.

NOTES:

1. **Boldface** indicates field-supplied drive is required.
2. Maximum continuous bhp is 2.40.



**Table 33 — Fan Performance — 48TF,TM006 — Horizontal Discharge Units — Standard Motor**

AIRFLOW (Cfm)	LOW SPEED						MEDIUM SPEED						HIGH SPEED					
	208V			230, 460, 575 V			208 V			230, 460, 575 V			208 V			230, 460, 575 V		
	ESP	Bhp	Watts	ESP	Bhp	Watts	ESP	Bhp	Watts	ESP	Bhp	Watts	ESP	Bhp	Watts	ESP	Bhp	Watts
1500	0.74	0.67	750	1.06	0.71	791	1.07	0.70	782	1.27	0.76	845	1.26	0.79	875	1.33	0.85	949
1600	0.54	0.70	780	0.90	0.74	824	0.92	0.74	821	1.13	0.79	883	1.14	0.82	913	1.22	0.89	988
1700	0.34	0.73	810	0.75	0.77	857	0.77	0.77	861	1.00	0.83	921	1.01	0.85	950	1.11	0.92	1027
1800	0.14	0.75	839	0.59	0.80	891	0.62	0.81	900	0.87	0.86	959	0.89	0.88	988	1.00	0.96	1066
1900	—	—	—	0.44	0.83	924	0.47	0.84	940	0.74	0.90	997	0.77	0.92	1025	0.89	0.99	1105
2000	—	—	—	0.28	0.86	957	0.32	0.88	979	0.61	0.93	1035	0.64	0.95	1063	0.78	1.03	1144
2100	—	—	—	0.13	0.89	990	0.17	0.91	1018	0.48	0.96	1073	0.51	0.99	1101	0.67	1.06	1183
2200	—	—	—	—	—	—	0.02	0.95	1058	0.35	1.00	1111	0.39	1.02	1138	0.56	1.10	1222
2300	—	—	—	—	—	—	—	—	—	0.22	1.03	1149	0.26	1.06	1176	0.45	1.13	1261
2400	—	—	—	—	—	—	—	—	—	0.09	1.07	1187	0.14	1.09	1213	0.34	1.17	1300
2500	—	—	—	—	—	—	—	—	—	—	—	—	—	—	0.23	1.20	1340	

**LEGEND**

**Bhp** — Brake Horsepower Input to Fan  
**ESP** — External Static Pressure (in. wg)

Refer to this page for general Fan Performance Data notes.

**Table 34 — Fan Performance 48TF006 Single-Phase — Horizontal Discharge Units — Alternate Motor (Belt Drive)\***

AIRFLOW (Cfm)	EXTERNAL STATIC PRESSURE (in. wg)														
	0.2			0.4			0.6			0.8			1.0		
	Rpm	Bhp	Watts	Rpm	Bhp	Watts	Rpm	Bhp	Watts	Rpm	Bhp	Watts	Rpm	Bhp	Watts
1500	790	0.40	353	896	0.53	470	990	0.67	599	1074	0.83	738	1151	1.00	886
1600	<b>828</b>	<b>0.46</b>	<b>413</b>	930	0.60	535	1021	0.75	669	1103	0.91	812	1179	1.09	965
1700	<b>866</b>	<b>0.54</b>	<b>479</b>	964	0.68	607	1053	0.84	746	1133	1.01	894	<b>1207</b>	<b>1.18</b>	<b>1051</b>
1800	905	0.62	553	1000	0.77	687	1085	0.94	831	1164	1.11	984	<b>1236</b>	<b>1.29</b>	<b>1146</b>
1900	944	0.71	635	1036	0.87	775	1119	1.04	924	<b>1195</b>	<b>1.22</b>	<b>1082</b>	—	—	—
2000	984	0.82	725	1072	0.98	871	1153	1.15	1025	—	—	—	—	—	—
2100	1024	0.93	824	1109	1.10	976	1188	1.28	1136	—	—	—	—	—	—
2200	1064	1.05	932	1147	1.23	1090	—	—	—	—	—	—	—	—	—
2300	1105	1.18	1050	—	—	—	—	—	—	—	—	—	—	—	—
2400	—	—	—	—	—	—	—	—	—	—	—	—	—	—	—
2500	—	—	—	—	—	—	—	—	—	—	—	—	—	—	—

AIRFLOW (Cfm)	EXTERNAL STATIC PRESSURE (in. wg)														
	1.2			1.4			1.6			1.8			2.0		
	Rpm	Bhp	Watts	Rpm	Bhp	Watts	Rpm	Bhp	Watts	Rpm	Bhp	Watts	Rpm	Bhp	Watts
1500	1223	1.18	1045	—	—	—	—	—	—	—	—	—	—	—	—
1600	1249	1.27	1127	—	—	—	—	—	—	—	—	—	—	—	—
1700	—	—	—	—	—	—	—	—	—	—	—	—	—	—	—
1800	—	—	—	—	—	—	—	—	—	—	—	—	—	—	—
1900	—	—	—	—	—	—	—	—	—	—	—	—	—	—	—
2000	—	—	—	—	—	—	—	—	—	—	—	—	—	—	—
2100	—	—	—	—	—	—	—	—	—	—	—	—	—	—	—
2200	—	—	—	—	—	—	—	—	—	—	—	—	—	—	—
2300	—	—	—	—	—	—	—	—	—	—	—	—	—	—	—
2400	—	—	—	—	—	—	—	—	—	—	—	—	—	—	—
2500	—	—	—	—	—	—	—	—	—	—	—	—	—	—	—

**LEGEND**

**Bhp** — Brake Horsepower Input to Fan  
**Watts** — Input Watts to Motor

Refer to this page for general Fan Performance Data notes.

**NOTES:**

- 1. Boldface** indicates field-supplied drive is required.
- Maximum continuous bhp is 1.30.

\*Motor drive range: 875 to 1192 rpm. All other rpms require a field-supplied drive.

**GENERAL NOTES FOR FAN PERFORMANCE DATA TABLES**

- Values include losses for filters, unit casing, and wet coils. See Table 9 for FIOP static pressure information.
- Performance data is based on clean filters and a wet coil.
- Extensive motor and electrical testing on these units ensures that the full range of the motor can be utilized with confidence. Using the fan motors up to the wattage ratings shown will not result in nuisance tripping or premature motor failure. Unit

warranty will not be affected. See Evaporator-Fan Motor Performance data in Table 8 on page 29 for additional information.

- Use of a field-supplied motor may affect wire sizing. Contact your Carrier representative for details.
- Interpolation is permissible. Do not extrapolate.

**Table 35 — Fan Performance 48TF006 Three-Phase — Horizontal Discharge Units — Alternate Motor (Belt Drive)\***

AIRFLOW (Cfm)	EXTERNAL STATIC PRESSURE (in. wg)														
	0.2			0.4			0.6			0.8			1.0		
	Rpm	Bhp	Watts	Rpm	Bhp	Watts	Rpm	Bhp	Watts	Rpm	Bhp	Watts	Rpm	Bhp	Watts
1500	790	0.40	353	896	0.53	470	990	0.67	599	1074	0.83	738	1151	1.00	886
1600	<b>828</b>	<b>0.46</b>	<b>413</b>	930	0.60	535	1021	0.75	669	1103	0.91	812	1179	1.09	965
1700	<b>866</b>	<b>0.54</b>	<b>479</b>	964	0.68	607	1053	0.84	746	1133	1.01	894	<b>1207</b>	<b>1.18</b>	<b>1051</b>
1800	905	0.62	553	1000	0.77	687	1085	0.94	831	1164	1.11	984	<b>1236</b>	<b>1.29</b>	<b>1146</b>
1900	944	0.71	635	1036	0.87	775	1119	1.04	924	<b>1195</b>	<b>1.22</b>	<b>1082</b>	<b>1266</b>	<b>1.41</b>	<b>1248</b>
2000	984	0.82	725	1072	0.98	871	1153	1.15	1025	<b>1227</b>	<b>1.34</b>	<b>1189</b>	<b>1297</b>	<b>1.53</b>	<b>1360</b>
2100	1024	0.93	824	1109	1.10	976	1188	1.28	1136	<b>1260</b>	<b>1.47</b>	<b>1305</b>	<b>1328</b>	<b>1.67</b>	<b>1481</b>
2200	1064	1.05	932	1147	1.23	1090	<b>1223</b>	<b>1.41</b>	<b>1256</b>	<b>1294</b>	<b>1.61</b>	<b>1430</b>	<b>1360</b>	<b>1.81</b>	<b>1612</b>
2300	1105	1.18	1050	1185	1.37	1215	<b>1259</b>	<b>1.56</b>	<b>1386</b>	<b>1328</b>	<b>1.76</b>	<b>1566</b>	<b>1393</b>	<b>1.97</b>	<b>1752</b>
2400	1146	1.33	1179	<b>1223</b>	<b>1.52</b>	<b>1349</b>	<b>1295</b>	<b>1.72</b>	<b>1527</b>	<b>1362</b>	<b>1.93</b>	<b>1711</b>	<b>1426</b>	<b>2.14</b>	<b>1903</b>
2500	1187	1.48	1317	<b>1262</b>	<b>1.68</b>	<b>1494</b>	<b>1332</b>	<b>1.89</b>	<b>1677</b>	<b>1398</b>	<b>2.10</b>	<b>1868</b>	<b>1460</b>	<b>2.33</b>	<b>2065</b>

AIRFLOW (Cfm)	EXTERNAL STATIC PRESSURE (in. wg)														
	1.2			1.4			1.6			1.8			2.0		
	Rpm	Bhp	Watts	Rpm	Bhp	Watts	Rpm	Bhp	Watts	Rpm	Bhp	Watts	Rpm	Bhp	Watts
1500	1223	1.18	1045	1291	1.36	1212	1355	1.56	1388	1415	1.77	1573	1473	1.99	1765
1600	1249	1.27	1127	1316	1.46	1298	1379	1.66	1478	1439	1.87	1665	1496	2.09	1860
1700	1277	1.37	1217	1342	1.57	1392	1404	1.77	1575	1463	1.99	1766	1520	2.21	1965
1800	1305	1.48	1316	1369	1.68	1495	1430	1.89	1681	1489	2.11	1876	1545	2.34	2078
1900	1333	1.60	1423	1397	1.81	1606	1457	2.02	1797	1514	2.25	1995	—	—	—
2000	1363	1.73	1540	1425	1.94	1727	1484	2.16	1922	1541	2.39	2124	—	—	—
2100	1393	1.87	1665	1454	2.09	1857	1512	2.31	2056	—	—	—	—	—	—
2200	1424	2.03	1801	1484	2.25	1997	—	—	—	—	—	—	—	—	—
2300	1455	2.19	1946	—	—	—	—	—	—	—	—	—	—	—	—
2400	1487	2.37	2103	—	—	—	—	—	—	—	—	—	—	—	—
2500	—	—	—	—	—	—	—	—	—	—	—	—	—	—	—

LEGEND

Bhp — Brake Horsepower Input to Fan  
Watts — Input Watts to Motor

Refer to page 41 for general Fan Performance Data notes.

NOTES:

1. **Boldface** indicates field-supplied drive is required.
2. Maximum continuous bhp is 2.40.

\*Motor drive range: 878 to 1192 rpm. All other rpms require a field-supplied drive.

**Table 36 — Fan Performance 48TM006 Single-Phase — Horizontal Discharge Units — Alternate Motor (Belt Drive)\***

AIRFLOW (Cfm)	EXTERNAL STATIC PRESSURE (in. wg)														
	0.2			0.4			0.6			0.8			1.0		
	Rpm	Bhp	Watts	Rpm	Bhp	Watts	Rpm	Bhp	Watts	Rpm	Bhp	Watts	Rpm	Bhp	Watts
1500	790	0.40	353	896	0.53	470	990	0.67	599	1074	0.83	738	1151	1.00	886
1600	<b>828</b>	<b>0.46</b>	<b>413</b>	930	0.60	535	1021	0.75	669	1103	0.91	812	1179	1.09	965
1700	<b>866</b>	<b>0.54</b>	<b>479</b>	964	0.68	607	1053	0.84	746	1133	1.01	894	1207	1.18	1051
1800	905	0.62	553	1000	0.77	687	1085	0.94	831	1164	1.11	984	1236	1.29	1146
1900	944	0.71	635	1036	0.87	775	1119	1.04	924	1195	1.22	1082	—	—	—
2000	984	0.82	725	1072	0.98	871	1153	1.15	1025	—	—	—	—	—	—
2100	1024	0.93	824	1109	1.10	976	1188	1.28	1136	—	—	—	—	—	—
2200	1064	1.05	932	1147	1.23	1090	—	—	—	—	—	—	—	—	—
2300	1105	1.18	1050	—	—	—	—	—	—	—	—	—	—	—	—
2400	—	—	—	—	—	—	—	—	—	—	—	—	—	—	—
2500	—	—	—	—	—	—	—	—	—	—	—	—	—	—	—

AIRFLOW (Cfm)	EXTERNAL STATIC PRESSURE (in. wg)														
	1.2			1.4			1.6			1.8			2.0		
	Rpm	Bhp	Watts	Rpm	Bhp	Watts	Rpm	Bhp	Watts	Rpm	Bhp	Watts	Rpm	Bhp	Watts
1500	1223	1.18	1045	—	—	—	—	—	—	—	—	—	—	—	—
1600	1249	1.27	1127	—	—	—	—	—	—	—	—	—	—	—	—
1700	—	—	—	—	—	—	—	—	—	—	—	—	—	—	—
1800	—	—	—	—	—	—	—	—	—	—	—	—	—	—	—
1900	—	—	—	—	—	—	—	—	—	—	—	—	—	—	—
2000	—	—	—	—	—	—	—	—	—	—	—	—	—	—	—
2100	—	—	—	—	—	—	—	—	—	—	—	—	—	—	—
2200	—	—	—	—	—	—	—	—	—	—	—	—	—	—	—
2300	—	—	—	—	—	—	—	—	—	—	—	—	—	—	—
2400	—	—	—	—	—	—	—	—	—	—	—	—	—	—	—
2500	—	—	—	—	—	—	—	—	—	—	—	—	—	—	—

LEGEND

Bhp — Brake Horsepower Input to Fan  
Watts — Input Watts to Motor

Refer to page 41 for general Fan Performance Data notes.

NOTES:

1. **Boldface** indicates field-supplied drive is required.
2. Maximum continuous bhp is 1.30.

\*Motor drive range: 900 to 1300 rpm. All other rpms require a field-supplied drive.





## PRE-START-UP

### ⚠ WARNING

Failure to observe the following warnings could result in serious personal injury.

1. Follow recognized safety practices and wear protective goggles when checking or the servicing refrigerant system.
2. Do not operate the compressor or provide any electric power to the unit unless the compressor terminal cover is in place and secured.
3. Do not remove the compressor terminal cover until all electrical sources are disconnected.
4. Relieve all pressure from the system before touching or disturbing anything inside the compressor terminal box if refrigerant leak is suspected around the compressor terminals.
5. Never attempt to repair a soldered connection while the refrigerant system is under pressure.
6. Do not use torch to remove any component. The system contains oil and refrigerant under pressure. To remove a component, wear protective goggles and proceed as follows:
  - a. Shut off gas and then electrical power to the unit. Install lockout tag.
  - b. Relieve all pressure from the system using both high-pressure and low-pressure ports. Recover refrigerant.
  - c. Cut the component connection tubing with a tubing cutter, and remove the component from the unit.
  - d. Carefully unsweat the remaining tubing stubs when necessary. Oil can ignite when exposed to torch flame.

Proceed as follows to inspect and prepare the unit for initial start-up:

1. Remove all access panels.
2. Read and follow instructions on all WARNING, CAUTION, and INFORMATION labels attached to, or shipped with, the unit.
3. Make the following inspections:
  - a. Inspect for shipping and handling damages such as broken lines, loose parts, or disconnected wires, etc.
  - b. Inspect for oil at all refrigerant tubing connections and on unit base. Detecting oil generally indicates a refrigerant leak. Leak-test all refrigerant tubing connections using an electronic leak detector, halide torch, or liquid-soap solution.
  - c. Inspect all field- and factory-wiring connections. Be sure that connections are completed and tight.
  - d. Inspect coil fins. If damaged during shipping and handling, carefully straighten the fins with a fin comb.
4. Verify the following conditions:
  - a. Make sure that condenser fan blade is correctly positioned in the fan orifice. See Condenser-Fan Adjustment section on page 58 for more details.
  - b. Make sure that air filter(s) is in place.
  - c. Make sure that condensate drain trap is filled with water to ensure proper drainage.
  - d. Make sure that all tools and miscellaneous loose parts have been removed.

## START-UP

**Unit Preparation** — Make sure that unit has been installed in accordance with these installation instructions and applicable codes.

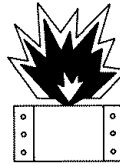
**Return-Air Filters** — Make sure correct filters are installed in filter tracks. See Tables 1A and 1B. Do not operate unit without return-air filters.

**Compressor Mounting** — Compressors are internally spring mounted. Do not loosen or remove compressor hold-down bolts.

**Internal Wiring** — Check all electrical connections in unit control boxes. Tighten as required.

**Gas Piping** — Check gas piping for leaks.

### ⚠ WARNING



Disconnect gas piping from unit when leak testing at pressure greater than 1/2 psig. Pressures greater than 1/2 psig will cause gas valve damage resulting in hazardous condition. If gas valve is subjected to pressure greater than 1/2 psig, it *must* be replaced before use. When pressure testing field-supplied gas piping at pressures of 1/2 psig or less, a unit connected to such piping must be isolated by manually closing the gas valve.

**Refrigerant Service Ports** — To service refrigerant service ports, remove compressor access panel. Each unit system has 3 Schrader-type service gage ports: one on the suction line, one on the liquid line, and one on the compressor discharge line. Be sure that caps on the ports are tight. The Schrader-type valve on the discharge line is located under the low-pressure switch. Another valve is located on the discharge line underneath the high-pressure switch. It is screwed on a Schrader fitting but there is no Schrader core.

**High Flow Valves** — Located on the compressor hot gas and suction tubes are High Flow Valves. Large black plastic caps distinguish these valves with O-rings located inside the caps. These valves cannot be accessed for service in the field. Ensure the plastic caps are in place and tight or the possibility of refrigerant leakage could occur.

**Compressor Rotation** — On 3-phase units with scroll compressors, it is important to be certain compressor is rotating in the proper direction. To determine whether or not compressor is rotating in the proper direction:

1. Connect service gages to suction and discharge pressure fittings.
2. Energize the compressor.
3. The suction pressure should drop and the discharge pressure should rise, as is normal on any start-up.

If the suction pressure does not drop and the discharge pressure does not rise to normal levels:

1. Note that the evaporator fan is probably also rotating in the wrong direction.
2. Turn off power to the unit.
3. Reverse any two of the unit power leads.
4. Reapply power to the compressor.

The suction and discharge pressure levels should now move to their normal start-up levels.

NOTE: When the compressor is rotating in the wrong direction, the unit makes an elevated level of noise and does not provide cooling.

**Cooling** — Set space thermostat to OFF position. To start unit, turn on main power supply. Set system selector switch at COOL position and fan switch at AUTO. position. Adjust thermostat to a setting below room temperature. Compressor starts on closure of contactor.

Check unit charge. Refer to Refrigerant Charge section, page 49.

Reset thermostat at a position above room temperature. Compressor will shut off. Evaporator fan will shut off after 30-second delay.

**TO SHUT OFF UNIT** — Set system selector switch at OFF position. Resetting thermostat at a position above room temperature shuts unit off temporarily until space temperature exceeds thermostat setting.

**Main Burners** — Main burners are factory set and should require no adjustment.

**TO CHECK** ignition of main burners and heating controls, move thermostat set point above room temperature and verify that the burners light and evaporator fan is energized. After ensuring that the unit continues to heat the building, lower the thermostat setting below room temperature and verify that the burners and evaporator fan turn off. (Fan will turn off only if fan selector switch is in the AUTO. position.)

Refer to Tables 41A and 41B for the correct orifice to use at high altitudes.

**Table 41A — Altitude Compensation\* — Standard and No NOx Units**

ELEVATION (ft)	72,000, 74,000 AND 115,000 BTUH NOMINAL INPUT		150,000 BTUH NOMINAL INPUT	
	Natural Gas Orifice Size†	Liquid Propane Orifice Size†	Natural Gas Orifice Size†	Liquid Propane Orifice Size†
0-2,000	33	43	30	37
2,000	36	44	31	39
3,000	36	45	31	40
4,000	37	45	32	41
5,000	38	46	32	42
6,000	40	47	34	43
7,000	41	48	35	43
8,000	42	49	36	44
9,000	43	50	37	45
10,000	44	50	39	46
11,000	45	51	41	47
12,000	46	52	42	48
13,000	47	52	43	49
14,000	48	53	44	50

\*As the height above sea level increases, there is less oxygen per cubic foot of air. Therefore, heat input rate should be reduced at higher altitudes.

†Orifices available through your Carrier distributor.

**Table 41B — Altitude Compensation\* — Low NOx Units**

ELEVATION (ft)	60,000 AND 90,000 BTUH NOMINAL INPUT		120,000 BTUH NOMINAL INPUT	
	Natural Gas Orifice Size†	Liquid Propane Orifice Size†	Natural Gas Orifice Size	Liquid Propane Orifice Size†
0-2,000	38	45	32	42
2,000	40	47	33	43
3,000	41	48	35	43
4,000	42	49	36	44
5,000	43	49	37	45
6,000	43	50	38	45
7,000	44	50	39	46
8,000	45	51	41	47
9,000	46	52	42	48
10,000	47	52	43	49
11,000	48	53	44	50
12,000	49	53	44	51
13,000	50	54	46	52
14,000	51	54	47	52

\*As the height above sea level increases, there is less oxygen per cubic foot of air. Therefore, the input rate should be reduced at higher altitudes.

†Orifices are available through your local Carrier distributor.

## Heating

1. Purge gas supply line of air by opening union ahead of gas valve. If gas odor is detected, tighten union and wait 5 minutes before proceeding.
2. Turn on electrical supply and manual gas valve.
3. Set system switch selector at HEAT position and fan switch at AUTO. or ON position. Set heating temperature lever above room temperature.
4. The induced-draft motor will start.
5. After a call for heating, the main burners should light within 5 seconds. If the burner does not light, then there is a 22-second delay before another 5-second try. If the burner still does not light, the time delay is repeated. If the burner does not light within 15 minutes, there is a lock-out. To reset the control, break the 24-v power to W1.
6. The evaporator-fan motor will turn on 45 seconds after the burners are ignited.
7. The evaporator-fan motor will turn off 45 seconds after thermostat temperature is satisfied.
8. Adjust airflow to obtain a temperature rise within the range specified on the unit nameplate.

NOTE: The default value for the evaporator-fan motor ON/OFF delay is 45 seconds. The Integrated Gas Unit Controller (IGC) modifies this value when abnormal limit switch cycles occur. Based upon unit operating conditions, the ON delay can be reduced to 0 seconds and the OFF delay can be extended to 180 seconds. When one flash of the LED is observed, the evaporator-fan ON/OFF delay has been modified.

If the limit switch trips at the start of the heating cycle during the evaporator ON delay, the time period of the ON delay for the next cycle will be 5 seconds less than the time at which the switch tripped. (Example: If the limit switch trips at 30 seconds, the evaporator-fan ON delay for the next cycle will occur at 25 seconds.) To prevent short-cycling, a 5-second reduction will only occur if a minimum of 10 minutes has elapsed since the last call for heating.

The evaporator-fan OFF delay can also be modified. Once the call for heating has ended, there is a 10-minute period during which the modification can occur. If the limit switch trips during this period, the evaporator-fan OFF delay will increase by 15 seconds. A maximum of 9 trips can occur, extending the evaporator-fan OFF delay to 180 seconds.

To restore the original default value, reset the power to the unit.

**TO SHUT OFF UNIT** — Set system selector switch at OFF position. Resetting heating selector lever below room temperature will temporarily shut unit off until space temperature falls below thermostat setting.

**Safety Relief** — A soft solder joint at the suction service Schrader port provides pressure relief under abnormal temperature and pressure conditions (i.e., fire in building).

**Ventilation (Continuous Fan)** — Set fan and system selector switches at ON and OFF positions, respectively. Evaporator fan operates continuously to provide constant air circulation. When the evaporator-fan selector switch is turned to the OFF position, there is a 30-second delay before the fan turns off.

### Operating Sequence

**COOLING, UNITS WITHOUT ECONOMIZER** — When thermostat calls for cooling, terminals G and Y1 are energized. The indoor-fan contactor (IFC) and compressor contactor are energized and indoor-fan motor, compressor, and outdoor fan starts. The outdoor fan motor runs continuously while unit is cooling.

**HEATING, UNITS WITHOUT ECONOMIZER** — When the thermostat calls for heating, terminal W1 is energized. To prevent thermostat short-cycling, the unit is locked into the Heating mode for at least 1 minute when W1 is energized. The induced-draft motor is energized and the burner ignition sequence begins. The indoor (evaporator) fan motor (IFM) is energized 45 seconds after a flame is ignited. On units equipped for two stages of heat, when additional heat is needed, W2 is energized and the high-fire solenoid on the main gas valve (MGV) is energized. When the thermostat is satisfied and W1 is deenergized, the IFM stops after a 45-second time-off delay.

**COOLING, UNITS WITH ECONOMIZER IV** — When free cooling is not available, the compressors will be controlled by the zone thermostat. When free cooling is available, the outdoor-air damper is modulated by the EconoMiSer IV control to provide a 50 to 55 F supply-air temperature into the zone. As the supply-air temperature fluctuates above 55 or below 50 F, the dampers will be modulated (open or close) to bring the supply-air temperature back within the set point limits.

Integrated EconoMiSer IV operation on single stage units requires a 2-stage thermostat (Y1 and Y2).

For EconoMiSer IV operation, there must be a thermostat call for the fan (G). This will move the damper to its minimum position during the occupied mode.

If the increase in cooling capacity causes the supply-air temperature to drop below 45 F, then the outdoor-air damper position will be fully closed. If the supply-air temperature continues to fall, the outdoor-air damper will close. Control returns to normal once the supply-air temperature rises above 48 F.

If optional power exhaust is installed, as the outdoor-air damper opens and closes, the power exhaust fans will be energized and deenergized.

If field-installed accessory CO<sub>2</sub> sensors are connected to the EconoMiSer IV control, a demand controlled ventilation strategy will begin to operate. As the CO<sub>2</sub> level in the zone increases above the CO<sub>2</sub> set point, the minimum position of the damper

will be increased proportionally. As the CO<sub>2</sub> level decreases because of the increase in fresh air, the outdoor-air damper will be proportionally closed. Damper position will follow the higher demand condition from DCV mode or free cooling mode.

Damper movement from full closed to full open (or vice versa) will take between 1½ and 2½ minutes.

If free cooling can be used as determined from the appropriate changeover command (switch, dry bulb, enthalpy curve, differential dry bulb, or differential enthalpy), a call for cooling (Y1 closes at the thermostat) will cause the control to modulate the dampers open to maintain the supply air temperature set point at 50 to 55 F.

As the supply-air temperature drops below the set point range of 50 to 55 F, the control will modulate the outdoor-air dampers closed to maintain the proper supply-air temperature.

**HEATING, UNITS WITH ECONOMIZER IV** — When the room temperature calls for heat, the heating controls are energized as described in the Heating, Units Without Economizer section. When the thermostat is satisfied, the economizer damper moves to the minimum position.

**COOLING, UNITS WITH ECONOMIZER2, PREMIER-LINK™ CONTROL AND A THERMOSTAT** — When free cooling is not available, the compressors will be controlled by the PremierLink control in response to the Y1 and Y2 inputs from the thermostat.

The PremierLink control will use the following information to determine if free cooling is available:

- Indoor fan has been on for at least 30 seconds.
- The SPT, SAT, and OAT inputs must have valid readings.
- OAT must be less than 75 F.
- OAT must be less than SPT.
- Enthalpy must be LOW (may be jumpered if an enthalpy sensor not available).
- Economizer position is NOT forced.

Pre-cooling occurs when there is no call from the thermostat except G. Pre-cooling is defined as the economizer modulates to provide 70 F supply air.

When free cooling is available the PremierLink control will control the compressors and economizer to provide a supply-air temperature determined to meet the Y1 and Y2 calls from the thermostat using the following three routines. The three control routines are based on OAT.

The 3 routines are based on OAT where:

SASP = Supply Air Set Point

DXCTLO = Direct Expansion Cooling Lockout Set Point

PID = Proportional Integral

**Routine 1** (OAT < DXCTLO)

- Y1 energized – economizer maintains a SASP = (SATLO1 + 3).
- Y2 energized – economizer maintains a SASP = (SATLO2 + 3).

**Routine 2** (DXCTLO < OAT < 68 F)

- If only Y1 energized, the economizer maintains a SASP = (SATLO1 + 3).
- If SAT > SASP + 5 and economizer position > 80%, economizer will go to minimum position for 3 minutes or until SAT > 68 F.
- First stage of mechanical cooling will be energized.
- Integrator resets.
- Economizer opens again and controls to current SASP after stage one on for 90 seconds.
- With Y1 and Y2 energized Economizer maintains an SASP = SATLO2 + 3.

- If  $SAT > SASP + 5$  and economizer position  $>80\%$ , economizer will go to minimum position for 3 minutes or until  $SAT > 68$  F.
- If compressor one is on then second stage of mechanical cooling will be energized. Otherwise the first stage will be energized.
- Integrator resets.
- Economizer opens again and controls to  $SASP$  after stage one on for 90 seconds.

**Routine 3 (OAT > 68)**

- Economizer is opened 100%.
- Compressors 1 and 2 are cycled based on Y1 and Y2 using minimum on and off times and watching the supply air temperature as compared to SATLO1 and SATLO2 set points.

If optional power exhaust is installed, as the outdoor-air damper opens and closes, the power exhaust fans will be energized and deenergized.

If field-installed accessory CO<sub>2</sub> sensors are connected to the PremierLink™ control, a PID-controlled demand ventilation strategy will begin to operate. As the CO<sub>2</sub> level in the zone increases above the CO<sub>2</sub> set point, the minimum position of the damper will be increased proportionally. As the CO<sub>2</sub> level decreases because of the increase in fresh air, the outdoor-air damper will be proportionally closed.

**HEATING, UNITS WITH ECONOMIZER2, PREMIERLINK CONTROL AND A THERMOSTAT** — When the thermostat calls for heating, terminal W1 is energized. The PremierLink control will move the economizer damper to the minimum position if there is a call for G and closed if there is a call for W1 without G. In order to prevent thermostat from short cycling, the unit is locked into the heating mode for at least 10 minutes when W1 is energized. The induced-draft motor is then energized and the burner ignition sequence begins.

On units equipped for two stages of heat, when additional heat is needed, W2 is energized and the high-fire solenoid on the main gas valve (MGV) is energized. When the thermostat is satisfied and W1 is deenergized, the IFM stops after a 45-second time-off delay unless G is still maintained.

**COOLING, UNITS WITH ECONOMIZER2, PREMIERLINK CONTROL AND A ROOM SENSOR** — When free cooling is not available, the compressors will be controlled by the PremierLink controller using a PID Error reduction calculation as indicated by Fig 42.

The PremierLink controller will use the following information to determine if free cooling is available:

- Indoor fan has been on for at least 30 seconds.
- The SPT, SAT, and OAT inputs must have valid readings.
- OAT must be less than 75 F.
- OAT must be less than SPT.
- Enthalpy must be LOW (may be jumpered if and enthalpy sensor is not available).
- Economizer position is NOT forced.

When free cooling is available, the outdoor-air damper is positioned through the use of a Proportional Integral (PID) control process to provide a calculated supply-air temperature into the zone. The supply air will maintain the space temperature between the heating and cooling set points as indicated in Fig. 43.

The PremierLink control will integrate the compressors stages with the economizer based on similar logic as the three routines listed in the previous section. The  $SASP$  will float up and down based on the error reduction calculations that compare space temperature and space set point.

When outside-air temperature conditions require the economizer to close for a compressor stage-up sequence, the economizer control integrator is reset to zero after the stage-up sequence is completed. This prevents the supply-air temperature from dropping too quickly and creating a freeze condition that would make the compressor turn off prematurely.

The high space set point is used for DX (direct expansion) cooling control, while the economizer space set point is a calculated value between the heating and cooling set points. The economizer set point will always be at least one degree below the cooling set point, allowing for a smooth transition from mechanical cooling with economizer assist, back to economizer cooling as the cooling set point is achieved. The compressors may be used for initial cooling then the PremierLink controller will modulate the economizer using an error reduction calculation to hold the space temperature between the heating and cooling set points. See Fig. 43.

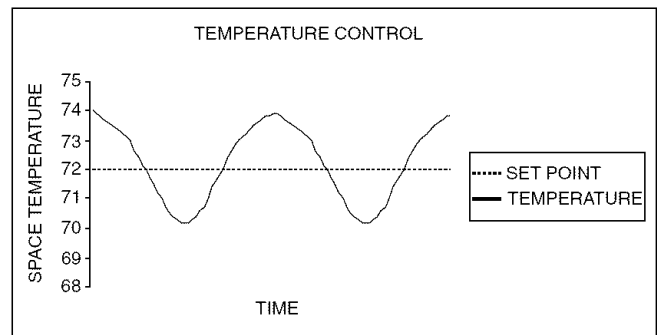
The controller uses the following conditions to determine economizer cooling:

- Enthalpy is Low
- SAT reading is available
- OAT reading is available
- SPT reading is available
- $OAT \leq SPT$
- Economizer Position is NOT forced

If any of the above conditions are **not** met, the economizer submaster reference (ECSR) is set to maximum limit and the damper moves to minimum position. The operating sequence is complete. The ECSR is recalculated every 30 seconds.

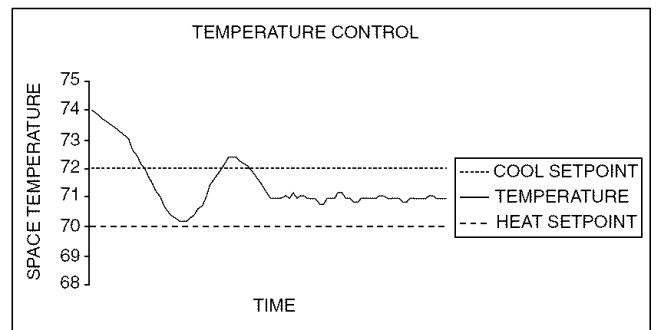
If an optional power exhaust is installed, as the outdoor-air damper opens and closes, the power exhaust fans will be energized and deenergized.

If field-installed accessory CO<sub>2</sub> sensors are connected to the PremierLink control, a PID-controlled demand ventilation strategy will begin to operate. As the CO<sub>2</sub> level in the zone increases above the CO<sub>2</sub> set point, the minimum position of the damper will be increased proportionally. As the CO<sub>2</sub> level decreases because of the increase in fresh air, the outdoor-air damper will be proportionally closed.



NOTE: PremierLink control performs smart staging of 2 stages of DX cooling and up to 3 stages of heat.

**Fig. 42 — DX Cooling Temperature Control Example**



**Fig. 43 — Economizer Temperature Control Example**



HEATING UNIT WITH ECONOMIZER2, PREMIERLINK™ CONTROL AND A ROOM SENSOR — Every 40 seconds the controller will calculate the required heat stages (maximum of 3) to maintain supply-air temperature (SAT) if the following qualifying conditions are met:

- Indoor fan has been on for at least 30 seconds.
- COOL mode is not active.
- OCCUPIED, TEMP.COMPENSATED START or HEAT mode is active.
- SAT reading is available.
- Fire shutdown mode is not active.

If all of the above conditions are met, the number of heat stages is calculated; otherwise the required number of heat stages will be set to 0.

If the PremierLink controller determines that heat stages are required, the economizer damper will be moved to minimum position if occupied and closed if unoccupied.

Staging should be as follows:

If Heating PID STAGES=2

- HEAT STAGES=1 (50% capacity) will energize HS1
- HEAT STAGES=2 (100% capacity) will energize HS2

If Heating PID STAGES=3 and AUXOUT = HS3

- HEAT STAGES=1 (33% capacity) will energize HS1
- HEAT STAGES=2 (66% capacity) will energize HS2
- HEAT STAGES=3 (100% capacity) will energize HS3

In order to prevent short cycling, the unit is locked into the Heating mode for at least 10 minutes when HS1 is deenergized. When HS1 is energized the induced-draft motor is then energized and the burner ignition sequence begins. On units equipped for two stages of heat, when additional heat is needed, HS2 is energized and the high-fire solenoid on the main gas valve (MGV) is energized. When the space condition is satisfied and HS1 is deenergized the IFM stops after a 45-second time-off delay unless in the occupied mode. The fan will run continuously in the occupied mode as required by national energy and fresh air standards.

## SERVICE

### ▲ CAUTION

When servicing unit, shut off all electrical power to unit and install lockout tag to avoid shock hazard or injury from rotating parts.

**Cleaning** — Inspect unit interior at the beginning of heating and cooling season and as operating conditions require.

#### EVAPORATOR COIL

1. Turn unit power off and install lockout tag. Remove evaporator coil access panel.
2. If economizer or two-position damper is installed, remove economizer by disconnecting Molex plug and removing mounting screws. Refer to accessory economizer installation instructions for more details.
3. Slide filters out of unit.
4. Clean coil using a commercial coil cleaner or dishwasher detergent in a pressurized spray canister. Wash both sides of coil and flush with clean water. For best results, backflush toward return-air section to remove foreign material. Flush condensate pan after completion.
5. Reinstall economizer and filters.
6. Reconnect wiring.
7. Replace access panels.

**CONDENSER COIL** — Inspect coil monthly. Clean condenser coil annually, and as required by location and outdoor air conditions.

**One-Row Coils (Size 004)** — Wash coil with commercial coil cleaner. It is not necessary to remove top panel.

**2-Row Coils (Sizes 005-007)** — Clean coil as follows:

1. Turn off unit power and install lockout tag.
2. Remove top panel screws on condenser end of unit.
3. Remove condenser coil corner post. See Fig. 44. To hold top panel open, place coil corner post between top panel and center post. See Fig. 45.
4. Remove screws securing coil to compressor plate and compressor access panel.
5. Remove fastener holding coil sections together at return end of condenser coil. Carefully separate the outer coil section 3 to 4 in. from the inner coil section. See Fig. 46.
6. Use a water hose or other suitable equipment to flush down between the 2 coil sections to remove dirt and debris. Clean the outer surfaces with a stiff brush in the normal manner.
7. Secure inner and outer coil rows together with a field-supplied fastener.
8. Reposition the outer coil section and remove the coil corner post from between the top panel and center post. Reinstall the coil corner post and replace all screws.

**CONDENSATE DRAIN** — Check and clean each year at start of cooling season. In winter, keep drain dry or protect against freeze-up.

**FILTERS** — Clean or replace at start of each heating and cooling season, or more often if operating conditions require it. Replacement filters must be same dimensions as original filters.

**OUTDOOR-AIR INLET SCREEN** — Clean screen with steam or hot water and a mild detergent. Do not use disposable filters in place of screen.

**Belts** — Check belt tension at least once each heating or cooling season or as conditions require.

#### Lubrication

**COMPRESSORS** — Each compressor is charged with the correct amount of oil at the factory.

**FAN MOTOR BEARINGS** — Fan motor bearings are of the permanently lubricated type. No further lubrication is required. No lubrication of condenser or evaporator fan motors is required.

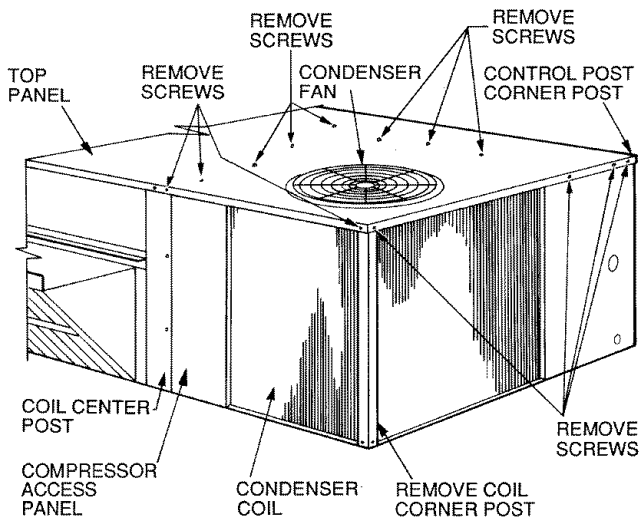
**Manual Outdoor-Air Damper** — If outdoor-air damper blade adjustment is required, see Manual Outdoor-Air Damper section on page 16.

**Economizer Adjustment** — Refer to Optional EconoMiSer IV and EconoMiSer2 section on page 20.

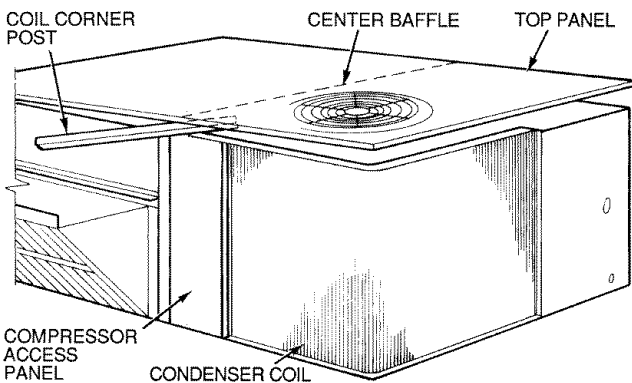
**Condenser-Fan Adjustment (Fig. 47)** — Shut off unit power supply. Remove condenser-fan assembly (grille, motor, and fan) and loosen fan hub setscrews. Adjust fan height as shown in Fig. 47. Tighten setscrews and replace condenser-fan assembly.

**Refrigerant Charge** — Amount of refrigerant charge is listed on unit nameplate (also refer to Tables 1A and 1B). Refer to Carrier GTAC2-5 Charging, Recovery, Recycling, and Reclamation training manual and the following procedures.

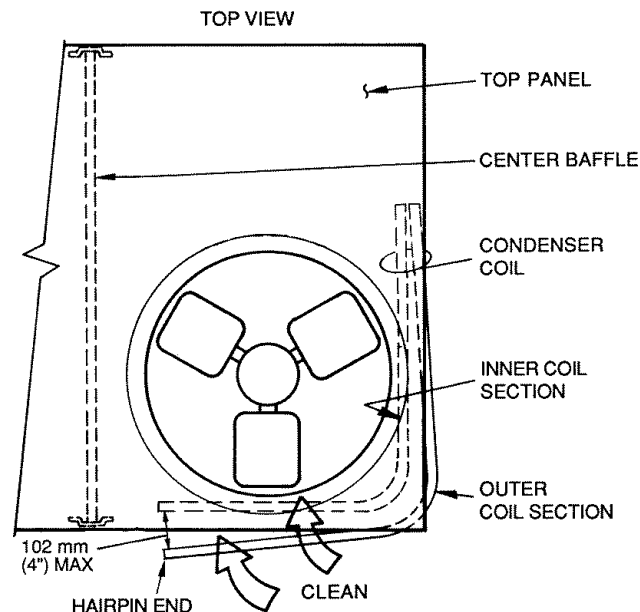
Unit panels must be in place when unit is operating during charging procedure.



**Fig. 44 — Cleaning Condenser Coil**



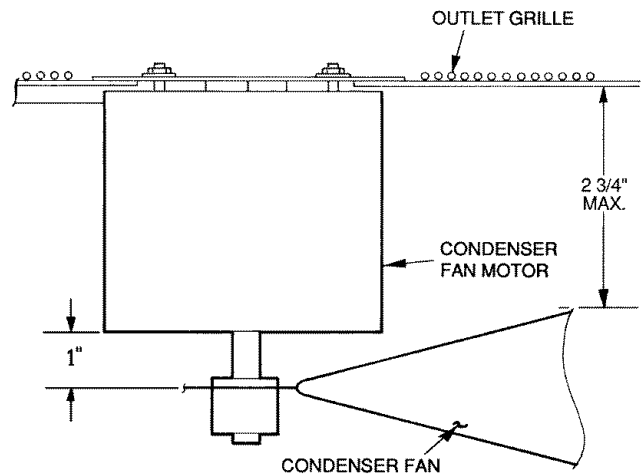
**Fig. 45 — Propping Up Top Panel**



**Fig. 46 — Separating Coil Sections**

**NO CHARGE** — Use standard evacuating techniques. After evacuating system, weigh in the specified amount of refrigerant. (Refer to Tables 1A and 1B.)

**LOW-CHARGE COOLING** — Using Cooling Charging Charts, Fig. 48-51, vary refrigerant until the conditions of the appropriate chart are met. Note the charging charts are different



**Fig. 47 — Condenser-Fan Adjustment**

from type normally used. Charts are based on charging the units to the correct superheat for the various operating conditions. Accurate pressure gage and temperature sensing device are required. Connect the pressure gage to the service port on the suction line. Mount the temperature sensing device on the suction line and insulate it so that outdoor ambient temperature does not affect the reading. Indoor-air cfm must be within the normal operating range of the unit.

**TO USE COOLING CHARGING CHART** — Take the outdoor ambient temperature and read the suction pressure gage. Refer to chart to determine what suction temperature should be. If suction temperature is high, add refrigerant. If suction temperature is low, carefully recover some of the charge. Recheck the suction pressure as charge is adjusted.

**EXAMPLE:** (Fig. 49)

Outdoor Temperature.....	85 F
Suction Pressure .....	84 psig
Suction Temperature should be .....	76 F
(Suction Temperature may vary $\pm 5$ F.)	

**Flue Gas Passageways** — To inspect the flue collector box and upper areas of the heat exchanger:

1. Remove the combustion blower wheel and motor assembly according to directions in Combustion-Air Blower section below.
2. Remove the flue cover to inspect the heat exchanger.
3. Clean all surfaces as required using a wire brush.

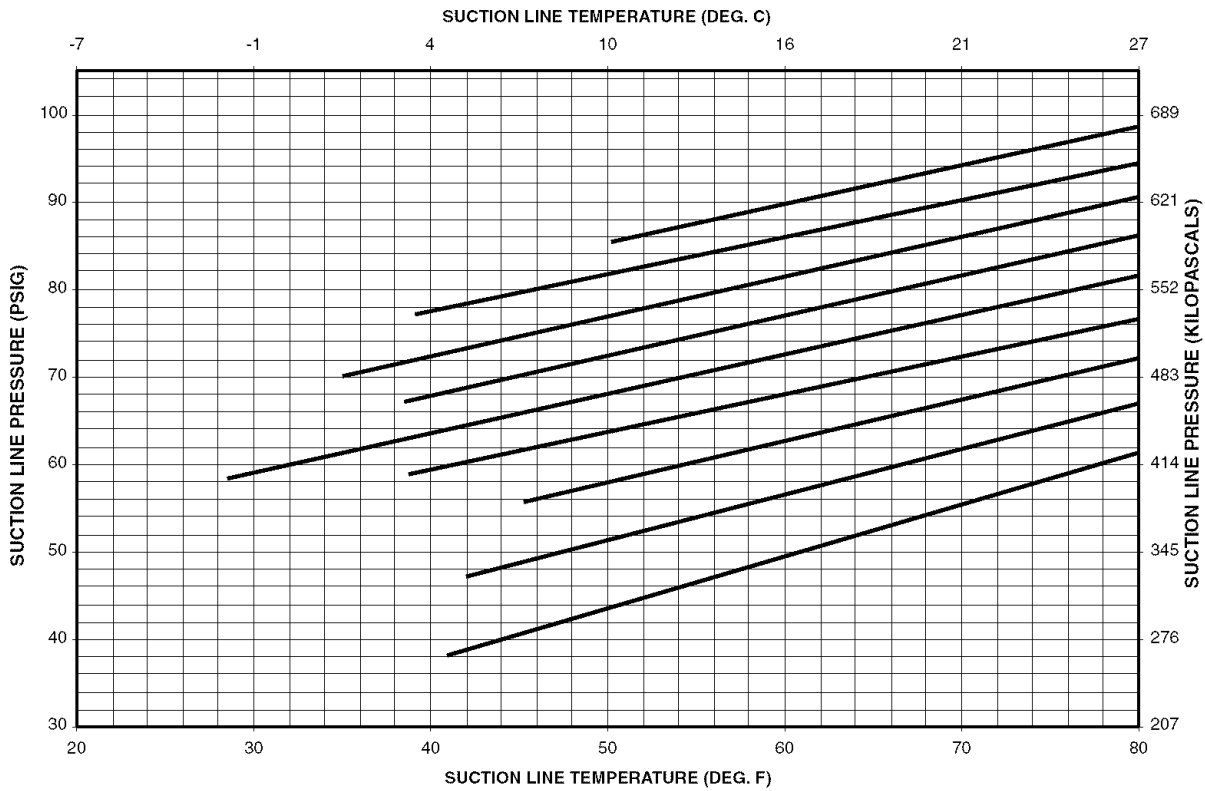
**Combustion-Air Blower** — Clean periodically to assure proper airflow and heating efficiency. Inspect blower wheel every fall and periodically during heating season. For the first heating season, inspect blower wheel bimonthly to determine proper cleaning frequency.

To access burner section, slide the sliding burner partition out of the unit.

To inspect blower wheel, shine a flashlight into draft hood opening. If cleaning is required, remove motor and wheel as follows:

1. Slide burner access panel out.
2. Remove the 7 screws that attach induced-draft motor housing to vestibule plate (Fig. 52).
3. The blower wheel can be cleaned at this point. If additional cleaning is required, continue with Steps 4 and 5.
4. To remove blower from the motor shaft, remove 2 setscrews.

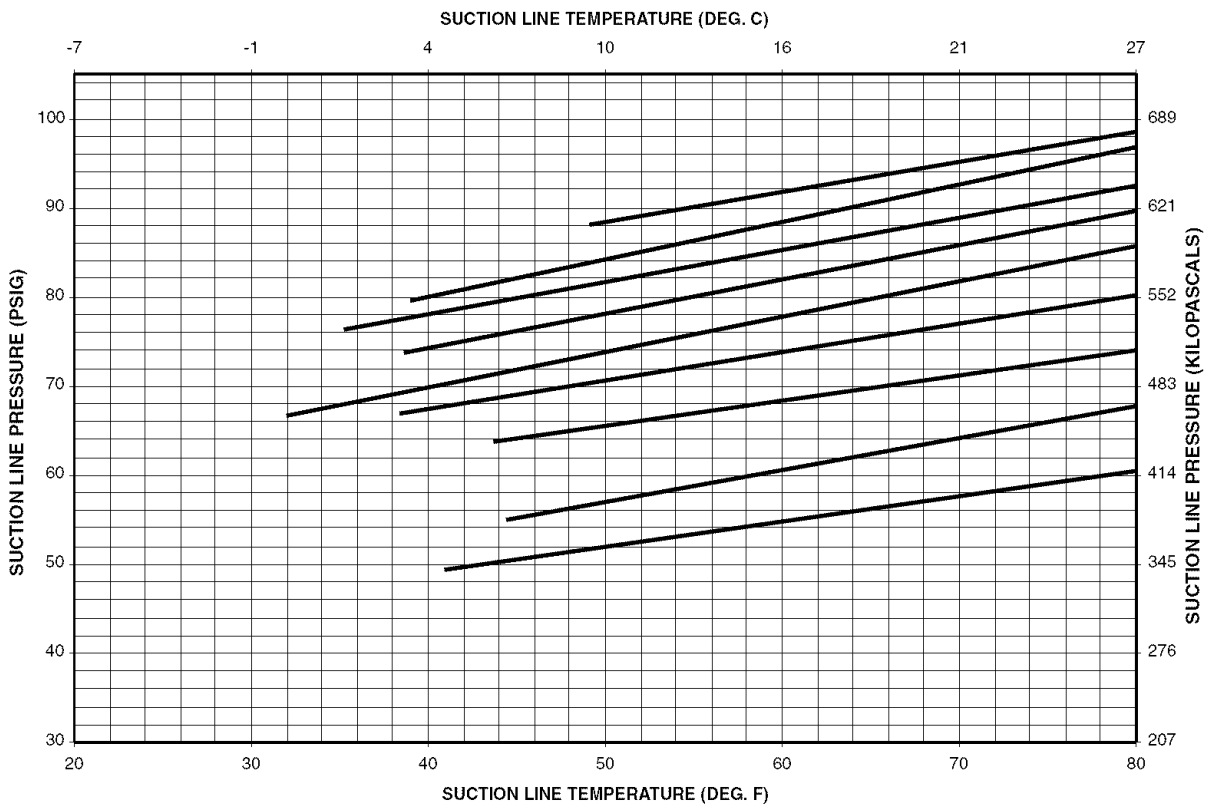
### 3 TON UNIT CHARGING CHART



OUTDOOR TEMP	
F	C
125	52
115	46
105	41
95	35
85	29
75	24
65	18
55	13
45	7

Fig. 48 — Cooling Charging Chart, 48TF, TM004

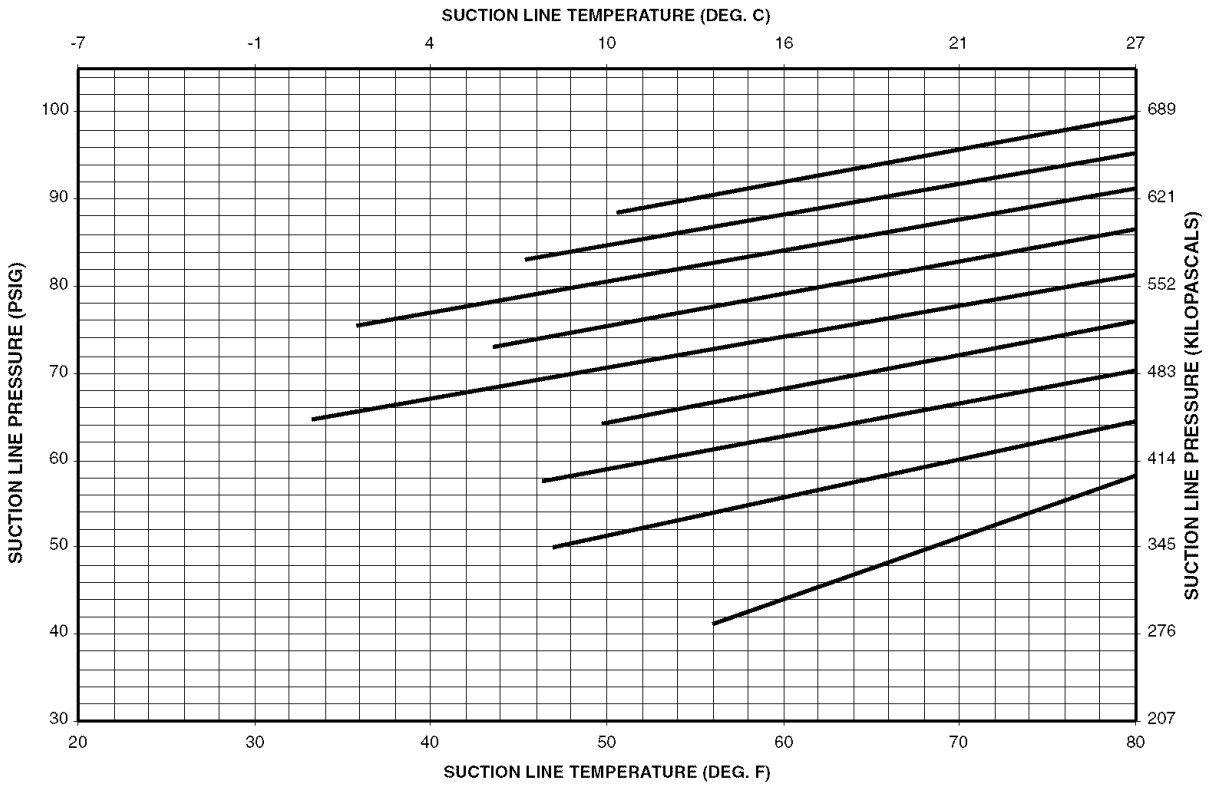
### 4 TON UNIT CHARGING CHART



OUTDOOR TEMP	
F	C
125	52
115	46
105	41
95	35
85	29
75	24
65	18
55	13
45	7

Fig. 49 — Cooling Charging Chart, 48TF, TM005

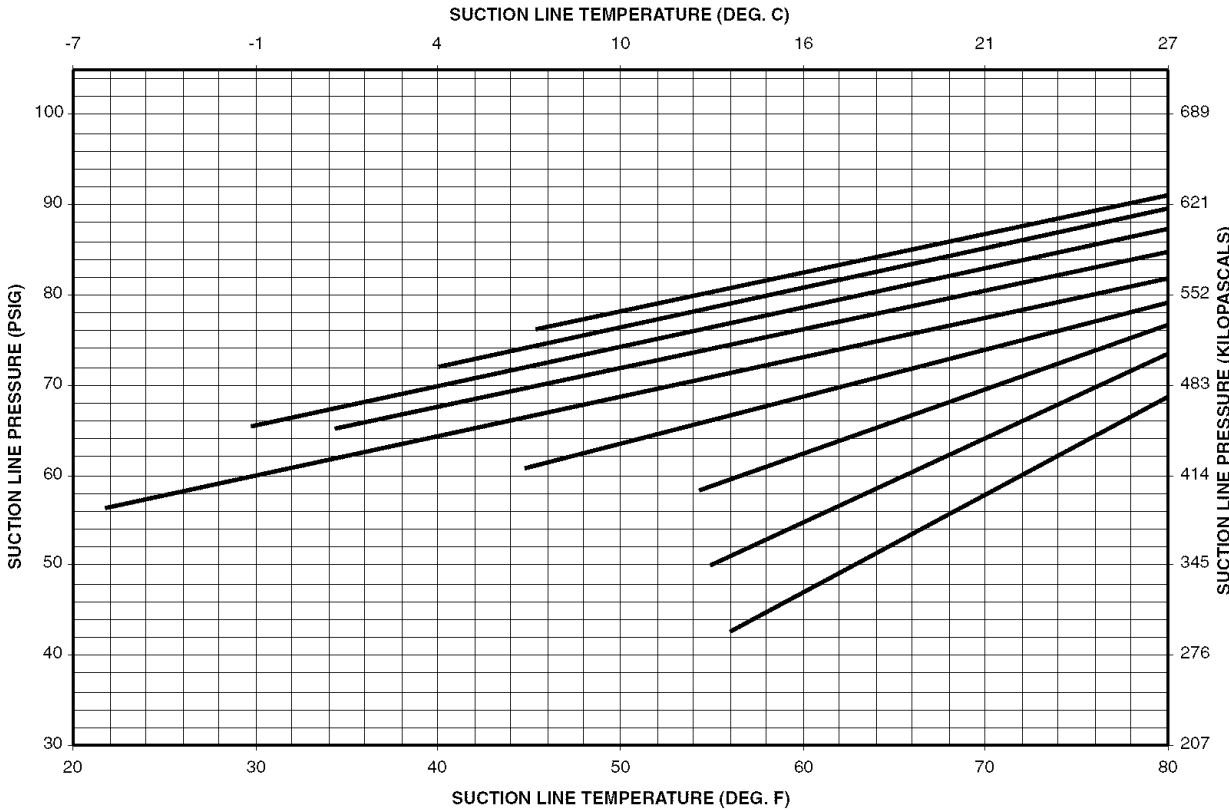
### 5 TON UNIT CHARGING CHART



OUTDOOR TEMP	
F	C
125	52
115	46
105	41
95	35
85	29
75	24
65	18
55	13
45	7

Fig. 50 — Cooling Charging Chart, 48TF, TM006

### 6 TON UNIT (60 Hz) CHARGING CHART



OUTDOOR TEMP	
F	C
125	52
115	46
105	41
95	35
85	29
75	24
65	18
55	13
45	7

Fig. 51 — Cooling Charging Chart, 48TF, TM007

- To remove motor, remove the 4 screws that hold the motor to mounting plate. Remove the motor cooling fan by removing one setscrew. Then remove nuts that hold motor to mounting plate.
- To reinstall, reverse the procedure outlined above.

**Limit Switch** — Remove blower access panel (Fig. 7). Limit switch is located on the fan deck.

**Burner Ignition** — Unit is equipped with a direct spark ignition 100% lockout system. Integrated Gas Unit Controller (IGC) is located in the control box (Fig. 11). The IGC contains a self-diagnostic LED (light-emitting diode). A single LED on the IGC provides a visual display of operational or sequential problems when the power supply is uninterrupted. When a break in power occurs, the IGC will be reset (resulting in a loss of fault history) and the indoor (evaporator) fan ON/OFF times will be reset. The LED error code can be observed through the viewport. During servicing refer to the label on the control box cover or Table 42 for an explanation of LED error code descriptions.

If lockout occurs, unit may be reset by interrupting power supply to unit for at least 5 seconds.

**Table 42 — LED Error Code Description\***

LED INDICATION	ERROR CODE DESCRIPTION
ON	Normal Operation
OFF	Hardware Failure
1 Flash†	Evaporator Fan On/Off Delay Modified
2 Flashes	Limit Switch Fault
3 Flashes	Flame Sense Fault
4 Flashes	4 Consecutive Limit Switch Faults
5 Flashes	Ignition Lockout Fault
6 Flashes	Induced-Draft Motor Fault
7 Flashes	Rollout Switch Fault
8 Flashes	Internal Control Fault
9 Flashes	Software Lockout

**LEGEND**

**LED** — Light-Emitting Diode

\*A 3-second pause exists between LED error code flashes. If more than one error code exists, all applicable codes will be displayed in numerical sequence.

†Indicates a code that is not an error. The unit will continue to operate when this code is displayed.

**IMPORTANT:** Refer to Troubleshooting Tables 43-45 for additional information.

**Main Burners** — To access burners, remove burner access panel and slide out burner partition. At the beginning of each heating season, inspect for deterioration or blockage due to corrosion or other causes. Observe the main burner flames and adjust, if necessary.

**⚠ CAUTION**

When working on gas train, do not hit or plug orifice spuds.

**REMOVAL AND REPLACEMENT OF GAS TRAIN (Fig. 52-54)**

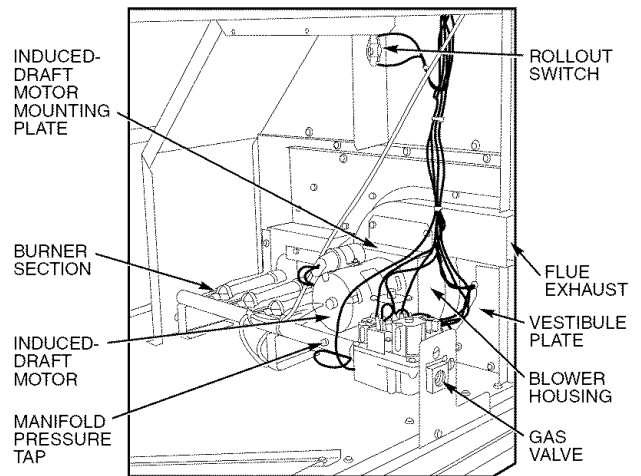
- Shut off manual gas valve.

- Shut off power to unit.
- Slide out burner partition.
- Disconnect gas piping at unit gas valve.
- Remove wires connected to gas valve. Mark each wire.
- Remove ignitor wires and sensor wires at the Integrated Gas Unit Controller (IGC) (see Fig. 11).
- Remove the 2 screws that attach the burner rack to the vestibule plate (Fig. 52).
- Slide the burner tray out of the unit (Fig. 53).
- To reinstall, reverse the procedure outlined above.

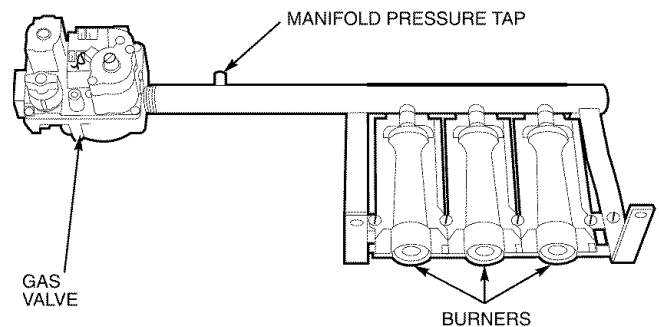
**CLEANING AND ADJUSTMENT**

- Remove burner rack from unit as described in Removal and Replacement of Gas Train section, above.
- Inspect burners; if dirty, remove burners from rack.
- Using a soft brush clean burners and cross-over port as required.
- Adjust spark gap. See Fig. 54.
- Reinstall burners on rack.
- Reinstall burner rack as described in Removal and Replacement of Gas Train section, above.

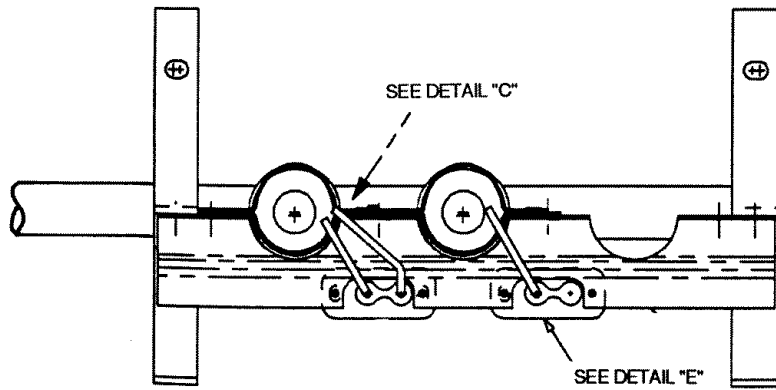
**Replacement Parts** — A complete list of replacement parts may be obtained from any Carrier distributor upon request.



**Fig. 52 — Burner Section Details**

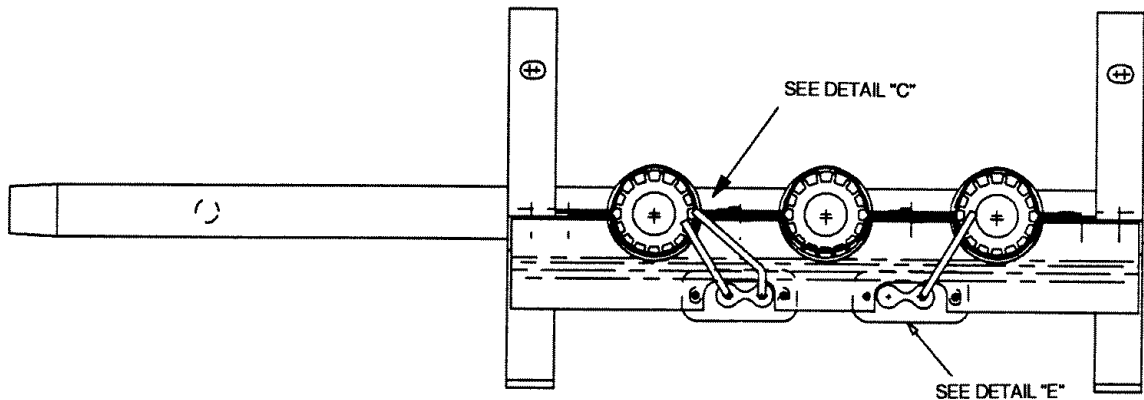


**Fig. 53 — Burner Tray Details**



LOW HEAT

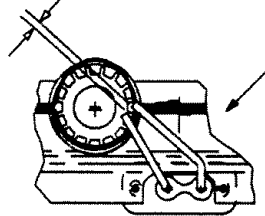
48TFE/TME004, 48TFH/TMH004, 48TFD/TMD005-007, 48TFG/TMG005,006 — 72,000 BTUH INPUT  
 48TFM/TMM004, 48TFL/TML005,006 — 60,000 BTUH INPUT



MEDIUM AND HIGH HEAT

48TFE/TME005-007, 48TFH/TMH005,006, 48TFE/TME004, 48TFK/TMK004 — 115,000 BTUH INPUT  
 48TFH/TMH005-007, 48TFK/TMK005,006 — 150,000 BTUH INPUT  
 48TFN/TMN004, 48TFM/TMM005,006 — 90,000 BTUH INPUT  
 48TFN/TMN005,006 — 120,000 BTUH INPUT

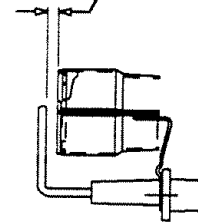
SPARK GAP  
 .120/.141 IN. (3.05/3.56 mm)



DETAIL "C"

SPARK GAP MUST BE POSITIONED TO  
 IGNITE ON FIRST TRY. (PLACE  
 SPARK GAP WITHIN BURNER  
 CIRCUMFERENCE AS SHOWN)

.181 IN. (4.60 mm)



DETAIL "E"

**Fig. 54 — Spark Adjustment**

## TROUBLESHOOTING

**Unit Troubleshooting** — Refer to tables 43-45 and Fig. 55 and 56.

**Table 43 — Heating Service Analysis**

PROBLEM	CAUSE	REMEDY
<b>Burners Will Not Ignite.</b>	Misaligned spark electrodes.	Check flame ignition and sensor electrode positioning. Adjust as needed.
	No gas at main burners.	Check gas line for air, purge as necessary. After purging gas line of air, allow gas to dissipate for at least 5 minutes before attempting to relight unit. Check gas valve.
	Water in gas line.	Drain water and install drip leg to trap water.
	No power to furnace.	Check power supply, fuses, wiring, and circuit breaker.
	No 24 v power supply to control circuit.	Check transformer. Transformers with internal overcurrent protection require a cool down period before resetting.
	Miswired or loose connections.	Check all wiring and wire nut connections.
	Burned-out heat anticipator in thermostat.	Replace thermostat.
<b>Inadequate Heating.</b>	Broken thermostat wires.	Run continuity check. Replace wires, if necessary.
	Dirty air filter.	Clean or replace filter as necessary.
	Gas input to unit too low.	Check gas pressure at manifold. Clock gas meter for input. If too low, increase manifold pressure, or replace with correct orifices.
	Unit undersized for application.	Replace with proper unit or add additional unit.
	Restricted airflow.	Clean filter, replace filter, or remove any restrictions.
	Blower speed too low.	Use high speed tap, increase fan speed, or install optional blower, as suitable for individual units.
	Limit switch cycles main burners.	Check rotation of blower, thermostat heat anticipator settings, and temperature rise of unit. Adjust as needed.
<b>Poor Flame Characteristics.</b>	Too much outdoor air.	Adjust minimum position. Check economizer operation.
	Incomplete combustion (lack of combustion air) results in: Aldehyde odors, CO, sooting flame, or floating flame.	Check all screws around flue outlets and burner compartment. Tighten as necessary.
		Cracked heat exchanger.
		Overfired unit — reduce input, change orifices, or adjust gas line or manifold pressure.
		Check vent for restriction. Clean as necessary.
Check orifice to burner alignment.		
<b>Burners Will Not Turn Off.</b>	Unit is locked into Heating mode for a one minute minimum.	Wait until mandatory one-minute time period has elapsed or reset power to unit.

**Table 44 — IGC Board LED Alarm Codes**

LED FLASH CODE	DESCRIPTION	ACTION TAKEN BY CONTROL	RESET METHOD	PROBABLE CAUSE
<b>On</b>	Normal Operation	—	—	—
<b>Off</b>	Hardware Failure	No gas heating.	—	Loss of power to the IGC. Check 5 amp fuse on IGC, power to unit, 24V circuit breaker, transformer, and wiring to the IGC.
<b>1 Flash</b>	Indoor Fan On/Off Delay Modified	5 seconds subtracted from On delay. 5 seconds added to Off delay (3 min max).	Power reset.	High temperature limit switch opens during heat exchanger warm-up period before fan-on delay expires. High temperature limit switch opens within 10 minutes of heat call (W) Off. See Limit Switch Fault.
<b>2 Flashes</b>	Limit Switch Fault	Gas valve and igniter Off. Indoor fan and inducer On.	Limit switch closed, or heat call (W) Off.	High temperature limit switch is open. Check the operation of the indoor (evaporator) fan motor. Ensure that the supply-air temperature rise is within the range on the unit nameplate. Check wiring and limit switch operation.
<b>3 Flashes</b>	Flame Sense Fault	Indoor fan and inducer On.	Flame sense normal. Power reset for LED reset.	The IGC sensed a flame when the gas valve should be closed. Check wiring, flame sensor, and gas valve operation.
<b>4 Flashes</b>	Four Consecutive Limit Switch Fault	No gas heating.	Heat call (W) Off. Power reset for LED reset.	4 consecutive limit switch faults within a single call for heat. See Limit Switch Fault.
<b>5 Flashes</b>	Ignition Fault	No gas heating.	Heat call (W) Off. Power reset for LED reset.	Unit unsuccessfully attempted ignition for 15 minutes. Check igniter and flame sensor electrode spacing, gaps, etc. Check flame sense and igniter wiring. Check gas valve operation and gas supply.
<b>6 Flashes</b>	Induced Draft Motor Fault	If heat off: no gas heating. If heat on: gas valve Off and inducer On.	Inducer sense normal, or heat call (W) Off.	Inducer sense On when heat call Off, or inducer sense Off when heat call On. Check wiring, voltage, and operation of IGC motor. Check speed sensor wiring to IGC.
<b>7 Flashes</b>	Rollout Switch Lockout	Gas valve and igniter Off. Indoor fan and inducer On.	Power reset.	Rollout switch has opened. Check gas valve operation. Check induced-draft blower wheel is properly secured to motor shaft.
<b>8 Flashes</b>	Internal Control Lockout	No gas heating.	Power reset.	IGC has sensed internal hardware or software error. If fault is not cleared by resetting 24 v power, replace the IGC.
<b>9 Flashes</b>	Temporary Software Lockout	No gas heating.	1 hour auto reset, or power reset.	Electrical interference is disrupting the IGC software.

LEGEND

**IGC** — Integrated Gas Unit Control  
**LED** — Light-Emitting Diode

NOTES:

1. There is a 3-second pause between alarm code displays.
2. If more than one alarm code exists, all applicable alarm codes will be displayed in numerical sequence.

**Table 45 — Cooling Service Analysis**

<b>PROBLEM</b>	<b>CAUSE</b>	<b>REMEDY</b>
<b>Compressor and Condenser Fan Will Not Start.</b>	Power failure.	Call power company.
	Fuse blown or circuit breaker tripped.	Replace fuse or reset circuit breaker.
	Defective thermostat, contactor, transformer, or control relay.	Replace component.
	Insufficient line voltage.	Determine cause and correct.
	Incorrect or faulty wiring.	Check wiring diagram and rewire correctly.
	Thermostat setting too high.	Lower thermostat setting below room temperature.
<b>Compressor Will Not Start But Condenser Fan Runs.</b>	Faulty wiring or loose connections in compressor circuit.	Check wiring and repair or replace.
	Compressor motor burned out, seized, or internal overload open.	Determine cause. Replace compressor.
	Defective run/start capacitor, overload, start relay.	Determine cause and replace.
	One leg of three-phase power dead.	Replace fuse or reset circuit breaker. Determine cause.
<b>Compressor Cycles (other than normally satisfying thermostat).</b>	Refrigerant overcharge or undercharge.	Recover refrigerant, evacuate system, and recharge to nameplate.
	Defective compressor.	Replace and determine cause.
	Insufficient line voltage.	Determine cause and correct.
	Blocked condenser.	Determine cause and correct.
	Defective run/start capacitor, overload, or start relay.	Determine cause and replace.
	Defective thermostat.	Replace thermostat.
	Faulty condenser-fan motor or capacitor.	Replace.
	Restriction in refrigerant system.	Locate restriction and remove.
<b>Compressor Operates Continuously.</b>	Dirty air filter.	Replace filter.
	Unit undersized for load.	Decrease load or increase unit size.
	Thermostat set too low.	Reset thermostat.
	Low refrigerant charge.	Locate leak; repair and recharge.
	Leaking valves in compressor.	Replace compressor.
	Air in system.	Recover refrigerant, evacuate system, and recharge.
	Condenser coil dirty or restricted.	Clean coil or remove restriction.
	Dirty air filter.	Replace filter.
<b>Excessive Head Pressure.</b>	Dirty condenser coil.	Clean coil.
	Refrigerant overcharged.	Recover excess refrigerant.
	Air in system.	Recover refrigerant, evacuate system, and recharge.
	Condenser air restricted or air short-cycling.	Determine cause and correct.
	Low refrigerant charge.	Check for leaks; repair and recharge.
<b>Head Pressure Too Low.</b>	Compressor valves leaking.	Replace compressor.
	Restriction in liquid tube.	Remove restriction.
	High head load.	Check for source and eliminate.
<b>Excessive Suction Pressure.</b>	Compressor valves leaking.	Replace compressor.
	Refrigerant overcharged.	Recover excess refrigerant.
	Dirty air filter.	Replace filter.
<b>Suction Pressure Too Low.</b>	Low refrigerant charge.	Check for leaks; repair and recharge.
	Metering device or low side restricted.	Remove source of restriction.
	Insufficient evaporator airflow.	Increase air quantity. Check filter and replace if necessary.
	Temperature too low in conditioned area.	Reset thermostat.
	Outdoor ambient below 25 F.	Install low-ambient kit.
<b>Evaporator Fan Will Not Shut Off.</b>	Time off delay not finished.	Wait for 30-second off delay.
<b>Compressor Makes Excessive Noise (48TF, TM007 scroll only).</b>	Compressor rotating in wrong direction.	Reverse the 3-phase power leads as described in the Start-Up section on page 45.



## EconoMi\$er IV Troubleshooting — See Table 46 for EconoMi\$er IV logic.

A functional view of the EconoMi\$er is shown in Fig. 55. Typical settings, sensor ranges, and jumper positions are also shown. An EconoMi\$er IV simulator program is available from Carrier to help with EconoMi\$er IV training and troubleshooting.

**ECONOMI\$ER IV PREPARATION** — This procedure is used to prepare the EconoMi\$er IV for troubleshooting. No troubleshooting or testing is done by performing the following procedure.

**NOTE:** This procedure requires a 9-v battery, 1.2 kilo-ohm resistor, and a 5.6 kilo-ohm resistor which are not supplied with the EconoMi\$er IV.

**IMPORTANT:** Be sure to record the positions of all potentiometers before starting troubleshooting.

1. Disconnect power at TR and TR1. All LEDs should be off. Exhaust fan contacts should be open.
2. Disconnect device at P and P1.
3. Jumper P to P1.
4. Disconnect wires at T and T1. Place 5.6 kilo-ohm resistor across T and T1.
5. Jumper TR to 1.
6. Jumper TR to N.
7. If connected, remove sensor from terminals S<sub>O</sub> and +. Connect 1.2 kilo-ohm 4074EJM checkout resistor across terminals S<sub>O</sub> and +.
8. Put 620-ohm resistor across terminals S<sub>R</sub> and +.
9. Set minimum position, DCV set point, and exhaust potentiometers fully CCW (counterclockwise).
10. Set DCV maximum position potentiometer fully CW (clockwise).
11. Set enthalpy potentiometer to D.
12. Apply power (24 vac) to terminals TR and TR1.

**DIFFERENTIAL ENTHALPY** — To check differential enthalpy:

1. Make sure EconoMi\$er IV preparation procedure has been performed.
2. Place 620-ohm resistor across S<sub>O</sub> and +.
3. Place 1.2 kilo-ohm resistor across S<sub>R</sub> and +. The Free Cool LED should be lit.
4. Remove 620-ohm resistor across S<sub>O</sub> and +. The Free Cool LED should turn off.
5. Return EconoMi\$er IV settings and wiring to normal after completing troubleshooting.

**SINGLE ENTHALPY** — To check single enthalpy:

1. Make sure EconoMi\$er IV preparation procedure has been performed.
2. Set the enthalpy potentiometer to A (fully CCW). The Free Cool LED should be lit.
3. Set the enthalpy potentiometer to D (fully CW). The Free Cool LED should turn off.
4. Return EconoMi\$er IV settings and wiring to normal after completing troubleshooting.

**DCV (Demand Controlled Ventilation) AND POWER EXHAUST** — To check DCV and Power Exhaust:

1. Make sure EconoMi\$er IV preparation procedure has been performed.
2. Ensure terminals AQ and AQ1 are open. The LED for both DCV and Exhaust should be off. The actuator should be fully closed.

3. Connect a 9-v battery to AQ (positive node) and AQ1 (negative node). The LED for both DCV and Exhaust should turn on. The actuator should drive to between 90 and 95% open.
4. Turn the Exhaust potentiometer CW until the Exhaust LED turns off. The LED should turn off when the potentiometer is approximately 90%. The actuator should remain in position.
5. Turn the DCV set point potentiometer CW until the DCV LED turns off. The DCV LED should turn off when the potentiometer is approximately 9 v. The actuator should drive fully closed.
6. Turn the DCV and Exhaust potentiometers CCW until the Exhaust LED turns on. The exhaust contacts will close 30 to 120 seconds after the Exhaust LED turns on.
7. Return EconoMi\$er IV settings and wiring to normal after completing troubleshooting.

**DCV MINIMUM AND MAXIMUM POSITION** — To check the DCV minimum and maximum position:

1. Make sure EconoMi\$er IV preparation procedure has been performed.
2. Connect a 9-v battery to AQ (positive node) and AQ1 (negative node). The DCV LED should turn on. The actuator should drive to between 90 and 95% open.
3. Turn the DCV Maximum Position potentiometer to midpoint. The actuator should drive to between 20 and 80% open.
4. Turn the DCV Maximum Position potentiometer to fully CCW. The actuator should drive fully closed.
5. Turn the Minimum Position potentiometer to midpoint. The actuator should drive to between 20 and 80% open.
6. Turn the Minimum Position Potentiometer fully CW. The actuator should drive fully open.
7. Remove the jumper from TR and N. The actuator should drive fully closed.
8. Return EconoMi\$er IV settings and wiring to normal after completing troubleshooting.

**SUPPLY-AIR INPUT** — To check supply-air input:

1. Make sure EconoMi\$er IV preparation procedure has been performed.
2. Set the Enthalpy potentiometer to A. The Free Cool LED turns on. The actuator should drive to between 20 and 80% open.
3. Remove the 5.6 kilo-ohm resistor and jumper T to T1. The actuator should drive fully open.
4. Remove the jumper across T and T1. The actuator should drive fully closed.
5. Return EconoMi\$er IV settings and wiring to normal after completing troubleshooting.

**ECONOMI\$ER IV TROUBLESHOOTING COMPLETION** — This procedure is used to return the EconoMi\$er IV to operation. No troubleshooting or testing is done by performing the following procedure.

1. Disconnect power at TR and TR1.
2. Set enthalpy potentiometer to previous setting.
3. Set DCV maximum position potentiometer to previous setting.
4. Set minimum position, DCV set point, and exhaust potentiometers to previous settings.
5. Remove 620-ohm resistor from terminals S<sub>R</sub> and +.
6. Remove 1.2 kilo-ohm checkout resistor from terminals S<sub>O</sub> and +. If used, reconnect sensor from terminals S<sub>O</sub> and +.

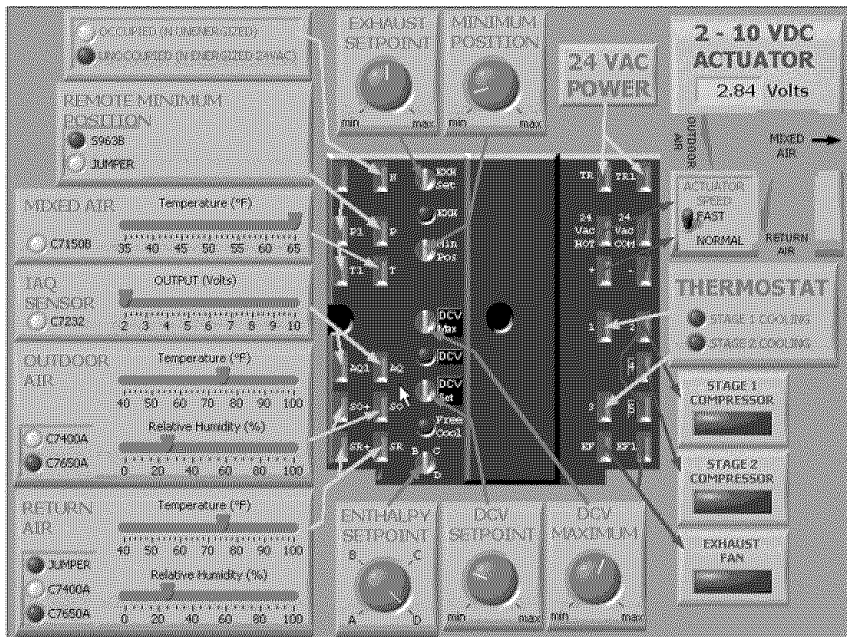
7. Remove jumper from TR to N.
8. Remove jumper from TR to 1.
9. Remove 5.6 kilo-ohm resistor from T and T1. Reconnect wires at T and T1.
10. Remove jumper from P to P1. Reconnect device at P and P1.
11. Apply power (24 vac) to terminals TR and TR1.

**Table 46 — EconoMiSer IV Input/Output Logic**

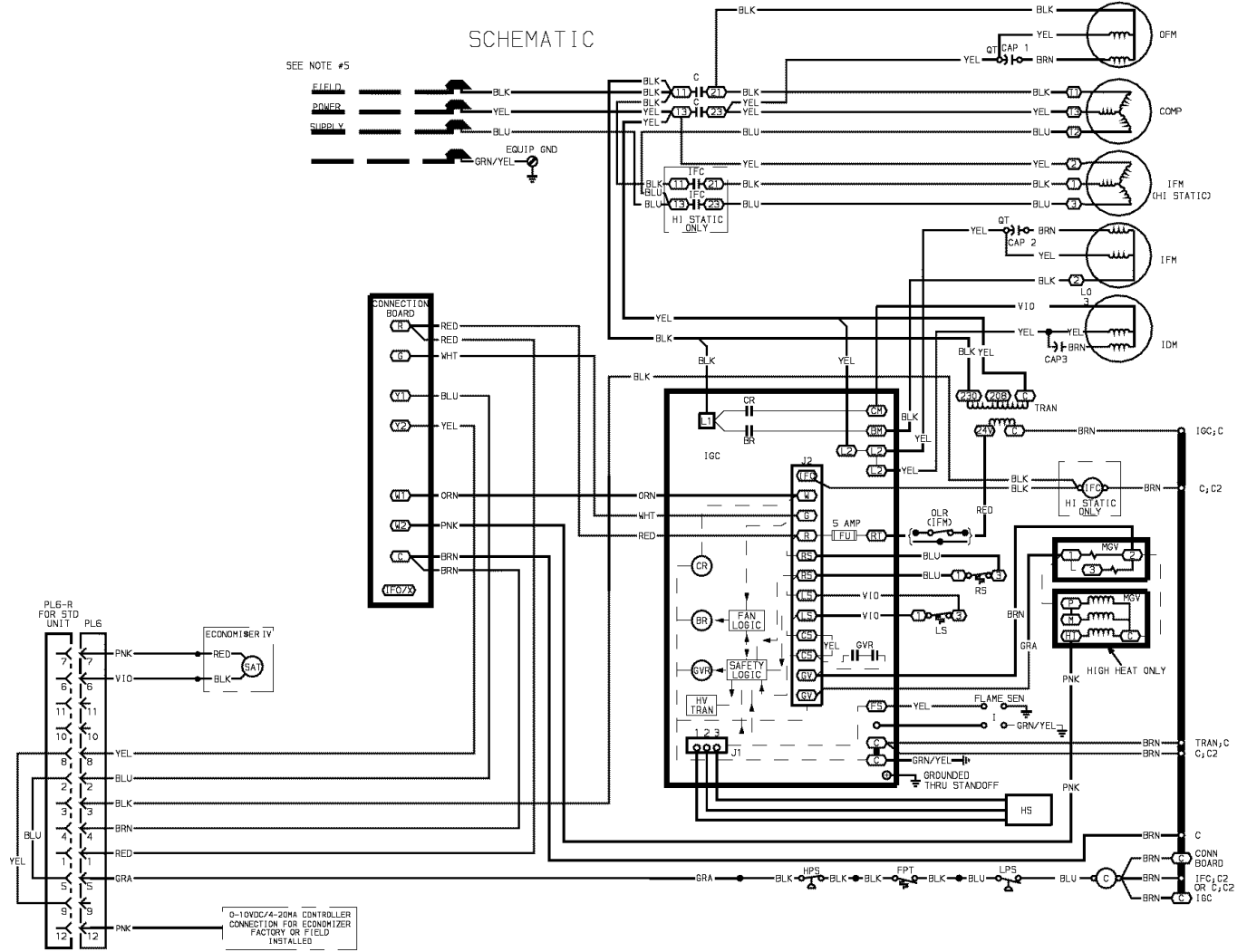
Demand Control Ventilation (DCV)	INPUTS				OUTPUTS			
	Enthalpy*		Y1	Y2	Compressor		N Terminal†	
	Outdoor	Return			Stage 1	Stage 2	Occupied	Unoccupied
Below set (DCV LED Off)	High (Free Cooling LED Off)	Low	On	On	On	On	Minimum position	Closed
			On	Off	On	Off		
			Off	Off	Off	Off		
Above set (DCV LED On)	High (Free Cooling LED Off)	Low	On	On	On	On	Modulating†† (between min. position and DCV maximum)	Modulating†† (between closed and DCV maximum)
			On	Off	On	Off		
			Off	Off	Off	Off		
Below set (DCV LED Off)	Low (Free Cooling LED On)	High	On	On	On	Off	Modulating***	Modulating†††
			On	Off	Off	Off		
			Off	Off	Off	Off		

\*For single enthalpy control, the module compares outdoor enthalpy to the ABCD set point.  
 †Power at N terminal determines Occupied/Unoccupied setting: 24 vac (Occupied), no power (Unoccupied).  
 \*\*Modulation is based on the supply-air sensor signal.  
 ††Modulation is based on the DCV signal.

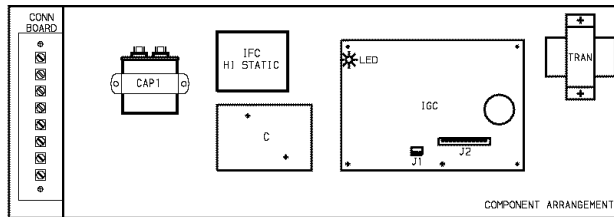
\*\*\*Modulation is based on the greater of DCV and supply-air sensor signals, between minimum position and either maximum position (DCV) or fully open (supply-air signal).  
 †††Modulation is based on the greater of DCV and supply-air sensor signals, between closed and either maximum position (DCV) or fully open (supply-air signal).



**Fig. 55 — EconoMiSer IV Functional View**



- NOTES:**
1. If any of the original wire furnished must be replaced, it must be replaced with type 90 C wire or its equivalent.
  2. Three phase motors are protected under primary single phasing conditions.
  4. Use copper conductors only.
  6. TRAN is wired for 230 v unit. If unit is to be run with 208 v power supply, disconnect BLK wire from 230 v tap (ORN) and connect to 208 v tap (RED). Insulate end of 230 v tap.



- C** — Contactor, Compressor
- CAP** — Capacitor
- CLO** — Compressor Lockout
- COMP** — Compressor Motor
- EQUIP** — Equipment
- FPT** — Freeze Up Protection Thermostat
- FU** — Fuse
- GND** — Ground
- GVR** — Gas Valve Relay
- HPS** — High-Pressure Switch
- HS** — Hall-Effect Sensor
- I** — Ignitor
- IDM** — Induced-Draft Motor
- IFC** — Indoor Fan Contactor
- IFM** — Indoor (Evaporator) Fan Motor
- IGC** — Integrated Gas Unit Controller
- LPS** — Low-Pressure Switch
- LS** — Limit Switch
- MGV** — Main Gas Valve

- OFM** — Outdoor (Condenser) Fan Motor
- OLR** — Overload Relay
- P** — Plug
- PL** — Plug Assembly
- QT** — Quadruple Terminal
- RS** — Rollout Switch
- SAT** — Supply Air Temperature Sensor
- TRAN** — Transformer
- Field Splice
- Marked Wire
- Terminal (Marked)
- Terminal (Unmarked)
- Terminal Block

- Splice
- Splice (Marked)
- Factory Wiring
- Field Control Wiring
- Field Power Wiring
- Accessory or Optional Wiring
- To indicate common potential only; not to represent wiring.

**Fig. 56 — Typical Unit Wiring Diagram**

# INDEX

- Access panels 21
- Altitude compensation 46
- Barometric flow capacity 23
- Burner ignition 53
- Burner rack 53
- Burner section 53
- Burner spark gap 54
- Carrier Comfort Network 17
- Charging chart, refrigerant 51, 52
- Clearance 9, 10
- CO<sub>2</sub> sensor
  - Configuration 27
  - Settings 27
- Combustion blower wheel 50
- Compressor
  - Lubrication 49
  - Mounting 45
  - Rotation 45
- Condensate drain
  - Cleaning 49
  - Location 2, 4
- Condenser coil 5, 7
  - Cleaning 49
- Condenser fan 5, 7
  - Adjustment 49, 50
- Control circuit
  - Wiring 12
  - Wiring raceway 13
- Convenience outlet 16
- Demand control ventilation 26
  - Dehumidification 27
- Dimensions 3, 9, 10
- Ductwork 2
- EconoMi\$er IV 20-27
  - Adjustment 49
  - Components 20
  - Damper position 26
  - Demand ventilation control 26
  - Troubleshooting 57, 58
  - Usage 23
  - Wiring 22
- EconoMi\$er2 20
- Electrical connections 12
- Electrical data 14, 15
- Enthalpy changeover set points 25
- Enthalpy sensor 19
- Error codes 61
- Evaporator coil 5, 7
  - Cleaning 49
- Evaporator fan motor
  - Lubrication 49
  - Motor data 29
  - Mounting 28
  - Performance 30-44
  - Pulley adjustment 28
  - Pulley setting 5, 7, 28
  - Speed 5, 7, 27
- Factory-installed options 16-27
  - Convenience outlet 16
  - EconoMi\$er IV 20
  - EconoMi\$er2 20
  - Manual outdoor air damper 16
  - Novar controls 16
  - PremierLink™ controls 17
- Filter
  - Cleaning 49
  - Installation 21
  - Size 6, 8
- Flue gas passageways 50
- Flue hood 11
- Freeze protection thermostat 6, 8
- Gas connection 6, 8
- Gas input 6, 8
- Gas piping 11, 45
- Gas pressure 1, 6, 8, 11
- Heat anticipator settings 6, 8, 12
- Heat exchanger 6, 8
- High flow valves 45
- High-pressure switch 6, 8
- Horizontal units 1, 2
- Indoor air quality sensor 17, 25
- Integrated gas controller 55
  - Error codes 53, 55
- Leak test 45
- Limit switch 53
- Liquid propane 6, 8
- Low-pressure switch 6, 8
- Main burners 46, 53
- Manual outdoor air damper 16, 49
- Mounting
  - Compressor 45
  - Unit 2
- Natural gas 6, 8
- Novar controls 16
- Operating limits 2
- Operating sequence 47-49
  - Cooling 47
  - EconoMi\$er IV 47
  - EconoMi\$er2 with PremierLink control 47-49
  - Heating 47
- Outdoor air hood 16, 21
- Outdoor air temperature sensor 17, 21, 23
- Outdoor air inlet screens
  - Cleaning 49
- Physical data 5-8
- Power exhaust 14, 15
- Power supply 12
  - Wiring 12, 13
- PremierLink controls 17-19
- Pressure, drop
  - EconoMi\$er2 29
  - EconoMi\$er IV 29
- Pressure switches
  - High pressure 6, 8
  - Low pressure 6, 8
- Pre-Start-Up 45
- Refrigerant
  - Charge 51, 52
  - Type 5, 7
- Refrigerant service ports 45
- Replacement parts 53
- Return air filter 6, 8, 45
- Return air temperature sensor 24
- Rigging unit 4
- Roof curb
  - Assembly 1
  - Dimensions 3
  - Connector package 3
  - Leveling tolerances 4
  - Weight 5, 7
- Safety considerations 1
- Safety relief 47
- Service 49-54
- Slab mount 2
- Start-up 45-49
- Start-up checklist CL-1
- Supply-air temperature sensor 17, 21, 24
- Thermostat 12, 13, 26
- Troubleshooting 55-59
- Ventilation 47
- Weight
  - Corner 9, 10
  - EconoMi\$er IV 5, 7, 9, 10
  - Maximum 4
  - Unit 5, 7, 9, 10
- Wiring
  - 4 to 20 mA control 22
  - EconoMi\$er IV 22
  - EconoMi\$er2 22
  - Power connections 12, 13
  - PremierLink 19
  - Thermostat 13
  - Unit 59

# START-UP CHECKLIST

(Remove and Use in Job File)

## I. PRELIMINARY INFORMATION:

MODEL NO.: \_\_\_\_\_ SERIAL NO.: \_\_\_\_\_  
DATE: \_\_\_\_\_ TECHNICIAN: \_\_\_\_\_  
BUILDING LOCATION: \_\_\_\_\_

## II. PRE-START-UP (insert checkmark in box as each item is completed)

- VERIFY THAT ALL PACKING MATERIALS HAVE BEEN REMOVED FROM UNIT
- VERIFY THAT CONDENSATE CONNECTION IS INSTALLED PER INSTALLATION INSTRUCTIONS
- VERIFY THAT FLUE HOOD IS INSTALLED
- CHECK ALL ELECTRICAL CONNECTIONS AND TERMINALS FOR TIGHTNESS
- CHECK TO ENSURE NO WIRES ARE TOUCHING REFRIGERANT TUBING OR SHARP EDGES
- CHECK GAS PIPING FOR LEAKS
- CHECK THAT RETURN-AIR FILTER IS CLEAN AND IN PLACE
- VERIFY THAT UNIT INSTALLATION IS LEVEL
- CHECK FAN WHEEL AND PROPELLER FOR LOCATION IN HOUSING/ORIFICE AND SETSCREW TIGHTNESS
- VERIFY PULLEY ALIGNMENT AND BELT TENSION ARE CORRECT

## III. START-UP:

### ELECTRICAL

SUPPLY VOLTAGE	L1-L2	_____	L2-L3	_____	L3-L1	_____
COMPRESSOR AMPS	L1	_____	L2	_____	L3	_____
INDOOR-FAN AMP	L1	_____	L2	_____	L3	_____

### TEMPERATURES

OUTDOOR-AIR TEMPERATURE	_____	DB	_____	WB
RETURN-AIR TEMPERATURE	_____	DB	_____	WB
COOLING SUPPLY AIR	_____	DB	_____	WB
GAS HEAT SUPPLY AIR	_____	DB		

### PRESSURES

GAS INLET PRESSURE	_____	IN. WG		
GAS MANIFOLD PRESSURE	_____	IN. WG (LOW FIRE)	_____	IN. WG (HI FIRE)
REFRIGERANT SUCTION	_____	PSIG	_____	TEMP ° F
REFRIGERANT DISCHARGE	_____	PSIG	_____	TEMP ° F

- VERIFY REFRIGERANT CHARGE USING CHARGING TABLES
- VERIFY THAT 3-PHASE SCROLL COMPRESSOR IS ROTATING IN CORRECT DIRECTION (48TF, TM007 ONLY)

CUT ALONG DOTTED LINE

CUT ALONG DOTTED LINE