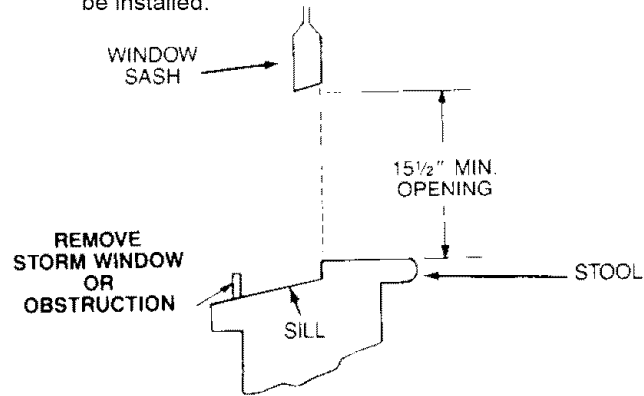


PRELIMINARY INSTRUCTIONS

1. Things to do before starting installation

- (a) **Check window opening size** The mounting parts furnished with this quick mounting kit are designed to provide a satisfactory installation for a wooden sill double-hung window. The standard parts are for a window opening of 28" minimum to 40" maximum width. The sash must open to a minimum of 15-1/2".
- NOTE: Removal of either of the side extensions on the side of the unit wrapper permits installation into a minimum opening of 24 inches width.
- (b) **Check condition of window** All wood parts of the window must be sound and capable of holding the necessary screws securely. If not, make repairs before attempting installation.
- (c) **Remove your storm windows** Any obstruction on the window sill must be removed. Remove storm window for the period the air conditioner is to be installed.

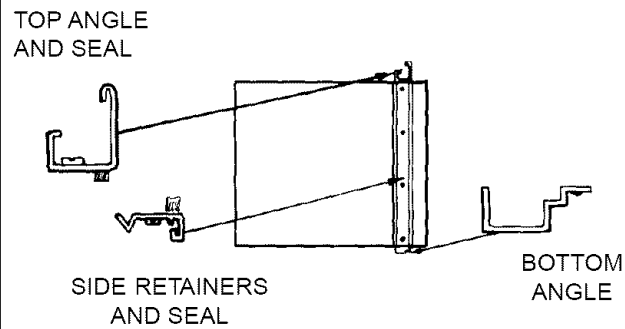


- (d) **Check for other obstructions** Also check area both outside the window for any other obstructions such as shrubs, trees, or awnings; and inside, be sure furniture, drapes, or blinds will not interfere with proper air flow.
- (e) **Check your available electrical service** The power supply available must be the same as that shown on the unit nameplate. (The nameplate is found behind the removable front grill of the air conditioner). Be sure you have an outlet within convenient reach. The use of extension cords is not recommended.

All models are equipped with the appropriate 3-prong service plug to provide proper service and safe positive grounding. Do not alter or change the plug. If your present wall outlet does not match your plug, call a qualified electrician to make the necessary corrections.

- (f) **Assemble necessary tools** You will need the following ...
Large flat blade screwdriver, Phillips screwdriver; Tape measure; Adjustable wrench or pliers; Level.
- (g) **Unpack room air conditioner** Carefully complete the unpacking of your unit. Remove all packing material. Precaution should be taken to protect your floor or carpeting from damage. Two people are normally required to move and install the unit.

1 INSTALL ANGLES AND RETAINERS

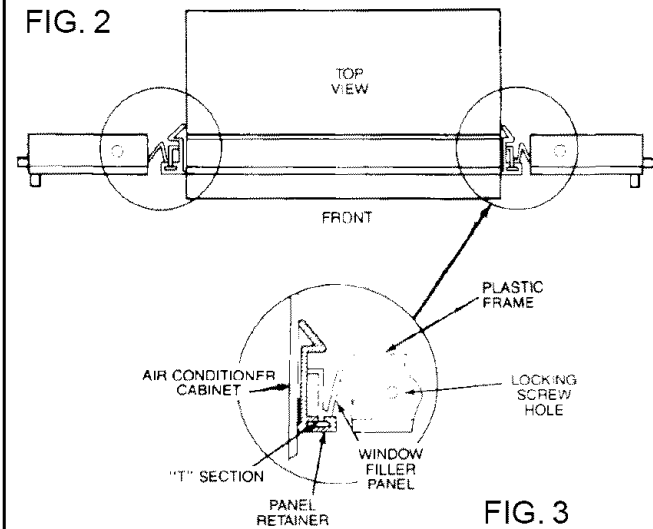
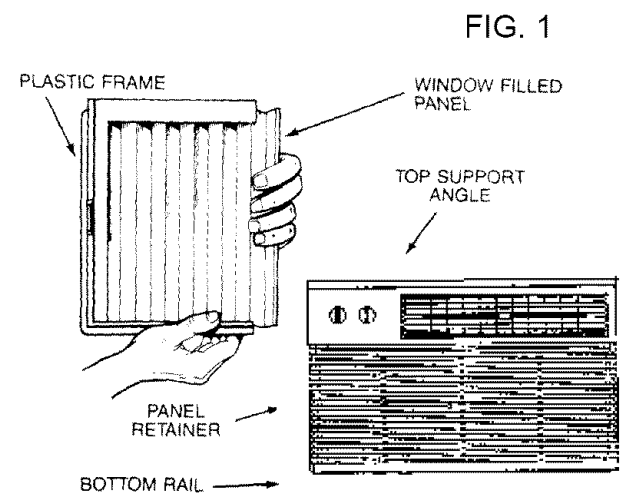


Caution: Place the unit on the floor, a bench or table. Do not perform this operation while the unit is in the window.

Attach foam gaskets to top angle and side retainer (shown above). Install the top angle, with longer vertical leg to front, using (4) #8 - 3/8" Phillips Screws. Tighten screws securely. Install the bottom angle, using (3) #8 - 3/8" Phillips Screws. Install the bottom angle, with flat section nearest front. Use (3) #8 - 3/8" Phillips Screws. Install the side retainers using (4) #8 - 3/8" Phillips Screws. Either side retainer may be used on left or right side interchangeably.

2 ASSEMBLE WINDOW FILLER PANELS

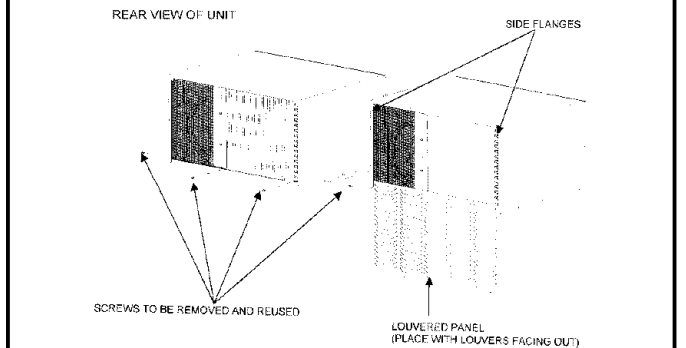
- With air conditioner on the floor, a bench, or table.
- Slide the "T" section of the window filler panel into the panel retainer on the side of the cabinet (see Figures 1, 2 and 3). Do both sides.



- Insert top and bottom legs of the window filler panel frame into the channel in the top support angle and bottom rail. Do both sides.
- Insert washer head locking screws (2) into holes in the top leg of the filler panel frame (see step number 5). Don't tighten, so leg slides freely.

3 ASSEMBLED LOUVERED PANEL TO UNIT

- View the unit from the rear.
- Remove ONE screw from the left and right sides, closet to the rear of the unit. Save the screws for reuse.
- Remove two screws from the bottom flange at the rear of the unit. Save the screws for reuse.
- Slide the louvered panel up behind the side flanges of the wrapper. The panel will slide up under the top flange of the wrapper.
- Replace two screws in the bottom of the louvered panel in to the unite.
- Replace two screws in to the wrapper. One screw on each side.



4 SUPPORT BRACKET INSTALLATION

- Open window and make a mark on the window sill (outer sloping surface), 3 inches to the left of the centerline and 1-1/2 inches back from the stool edge, as you face the window from the room side (see Fig. 4)
- Assemble 1/4 - 20 x 1-3/8" screw into Clevis, then assemble Clevis into the 1st pair of holes in the support bracket using (2) #10 x 3/8" Phillips head screws (see Fig. 5).
- Attach support bracket to window sill by centering end of bracket at the mark (Fig. 4) and using (2) #10 - 1-3/8" screw thru the bracket into the sill (see Figures 5 and 6). Make sure the 1-1/2 inch space is maintained between the end of the bracket and the stool.
- Adjust the leveling screw so end of the support bracket is 1/8" below the top surface of the window stool (see Figure 6).

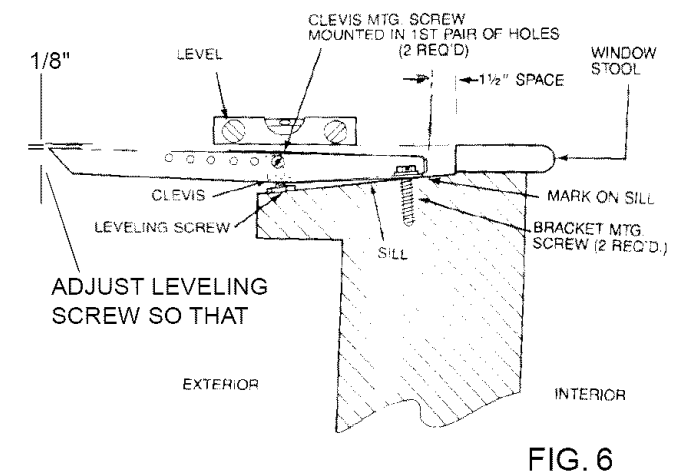
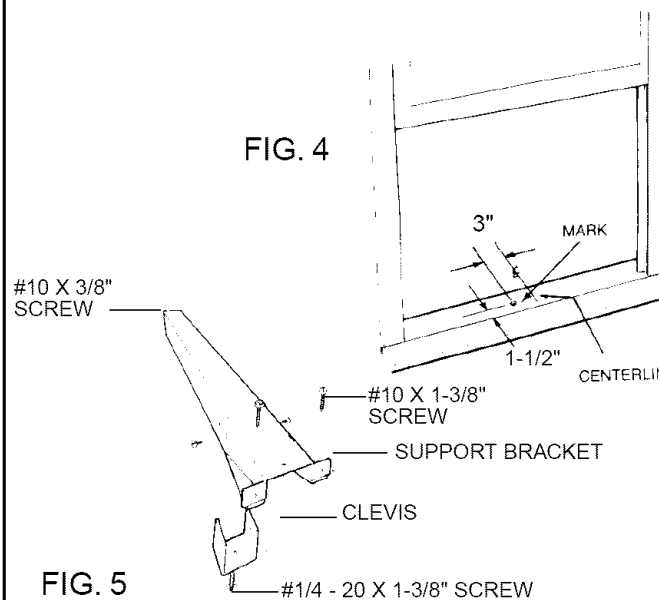


FIG. 6

5 MOUNT UNIT IN WINDOW

- Carefully lift room air conditioner and slide it into the center of the open window, on the support bracket, until the bottom rail of the unit drops into the space between stool and bracket (Figure 7).

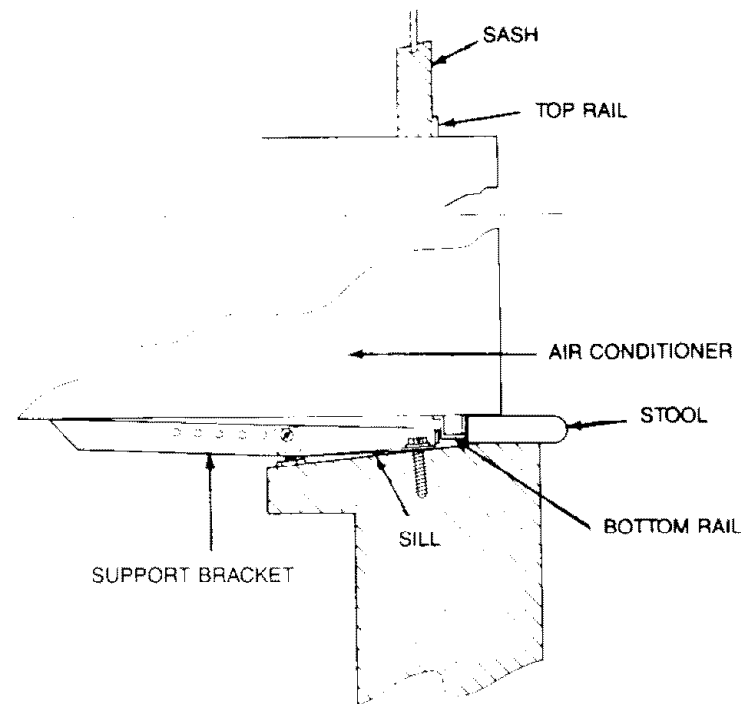
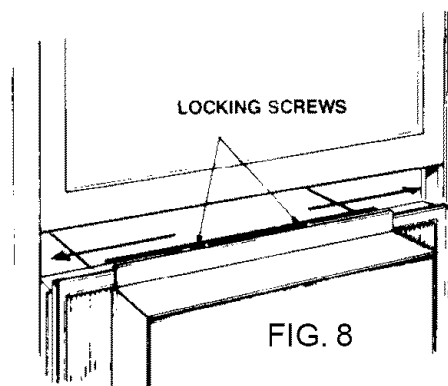


FIG. 7

- While steadying unit, carefully bring window down behind top angle of air conditioner.
- Center unit left to right in the window opening.
- It may be necessary to adjust the leveling screw so the air conditioner fits properly in front of window on top, and on bracket at rear. If so, remove air conditioner from the window and readjust the support bracket levelling screw up or down as required. Adjustment should provide the proper downward slope so condensate water runs to rear (outside) of unit for disposal.

6 EXTEND WINDOW FILLER PANELS

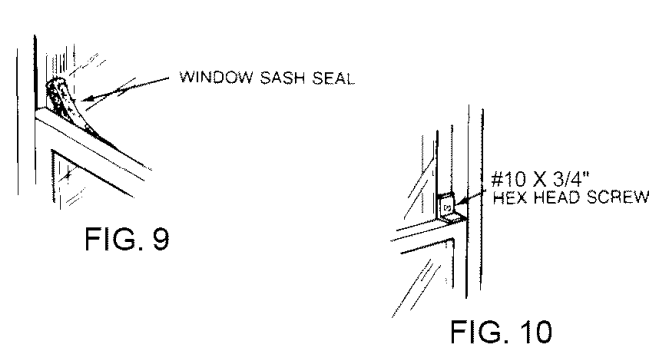
- Carefully raise window to expose filler panel locking screws and loosen screws so that filler panels slide easily.



- Extend panels to fill window opening completely and tighten locking screws on top.
- Close window behind top rail.

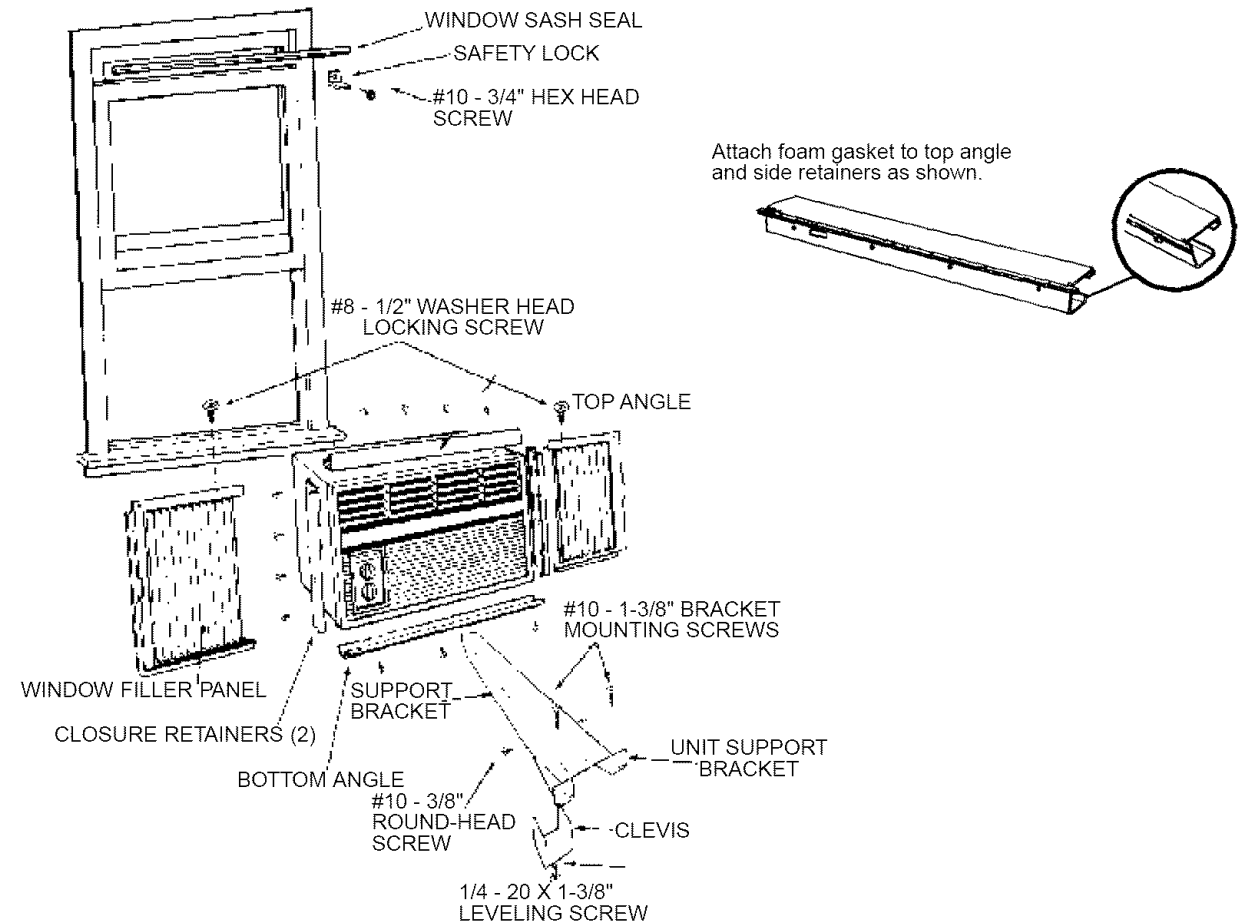
7 INSTALL SASH SEAL AND WINDOW LOCK

- Trim sash seal to fit window width and insert into space between upper and lower sashes.



- Attach right angle safety lock as shown.

INSTALLATION INSTRUCTIONS



HARDWARE (in plastic bag)

ITEM	QTY.	ITEM	QTY.
#8 - 3/8" Phillips Head-Top Angle	4	1/4 - 20 x 1-3/8" Leveling Screw	1
#8 - 3/8" Phillips Head-Screw Side Retainers	8	#10 - 1-3/8" Bracket Mounting Screw	2
#8 - 3/8" Phillips Head-Screw Bottom Angle	3	Safety Lock	1
Clevis	1	#10 - 3/8" Phillips Head-Screw Clevis/Support	2
#10 - 3/4" Hex-Head Screw	1	#8 - 1/2" Washer Head Locking Screw	2