

Adaptor Kit Small Packaged Product Small Cabinet

INSTALLATION INSTRUCTIONS FOR CPADCURB001A00

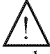
PACKAGE USAGE	
Adaptor Kit	Use with existing curb
CPADCURB001A00	CPRFCURB006A00 or CPRFCURB007A00

PACKAGE CONTENTS	
DESCRIPTION	QTY
Installation Instructions	1
End	2
Side	2
Cross Support	1
Short Support	2
#10 Screws 1/2" (13mm) long	24
Gasketing	1 1 1/2" (38mm) x 1/4" (6mm) 1" (25mm) x 3/4" (19mm)

SAFETY CONSIDERATIONS

Installation and servicing of air-conditioning equipment can be hazardous due to system pressure and electrical components. Only trained and qualified service personnel should install, repair, or service air-conditioning equipment.

Untrained personnel can perform the basic maintenance functions of replacing filters. All other operations should be performed by trained service personnel. When working on air-conditioning equipment, observe precautions in the literature, tags and labels attached to the unit, and other safety precautions that may apply.

Recognize safety information. This is the safety--alert symbol . When you see this symbol on the unit and in instructions or manuals, be alert to the potential for personal injury.

Understand these signal words; DANGER, WARNING, and CAUTION. These words are used with the safety--alert symbol. DANGER identifies the most serious hazards which **will** result in severe personal injury or death. WARNING signifies hazards which **could** result in personal injury or death. CAUTION is used to identify unsafe practices which **may** result in minor personal injury or product and property damage. NOTE is used to highlight suggestions which **will** result in enhanced installation, reliability, or operation.

CAUTION	
CUT HAZARD	
Failure to follow this caution may result in personal injury. When removing access panels or performing maintenance functions inside your unit, be aware of sharp sheet metal parts and screws. Although special care is taken to reduce sharp edges to a minimum, be extremely careful when handling parts or reaching into the unit.	

CAUTION

PROPERTY DAMAGE HAZARD

Failure to follow this caution may result in property damage. To prevent injuries and rain damage, do not leave roof opening uncovered. If installation is not completed immediately after roof opening is cut and framed, provide an adequate temporary cover for the roof opening.

GENERAL

These adaptor kits are designed to allow SPP units with base rails to sit on existing, old style CPRFCURB006A00 or CPRFCURB007A00 curbs. This kit is for the small cabinet SPP units.

INSTRUCTIONS

1. Install the CPRFCURB006A00 or CPRFCURB007A00 curb per instructions provided with curb. If this is a retrofit applications, make sure the existing CPRFCURB006A00 or CPRFCURB007A00 dimensions match those in Fig. 4. If they don't match, then existing curb is not as expected and adaptor kit may not fit as designed.
2. Assemble adaptor kit as shown in Fig. 1, using provided screws.
3. Caulk all (4) corners of adaptor so they are watertight.

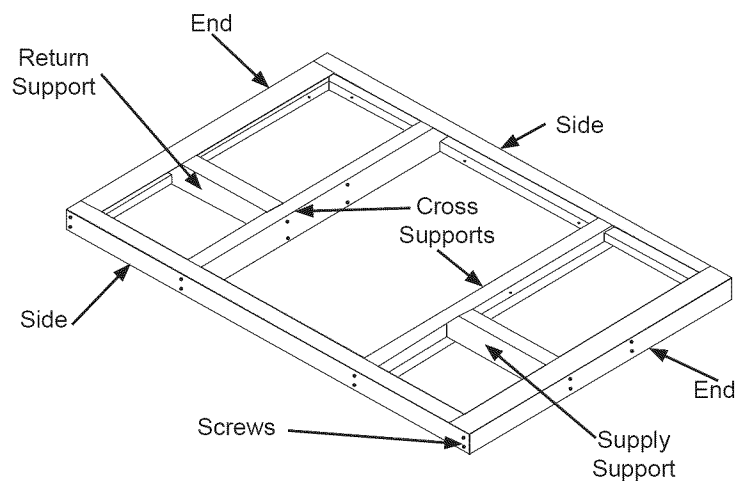


Fig. 1 - Roofcurb Adaptor

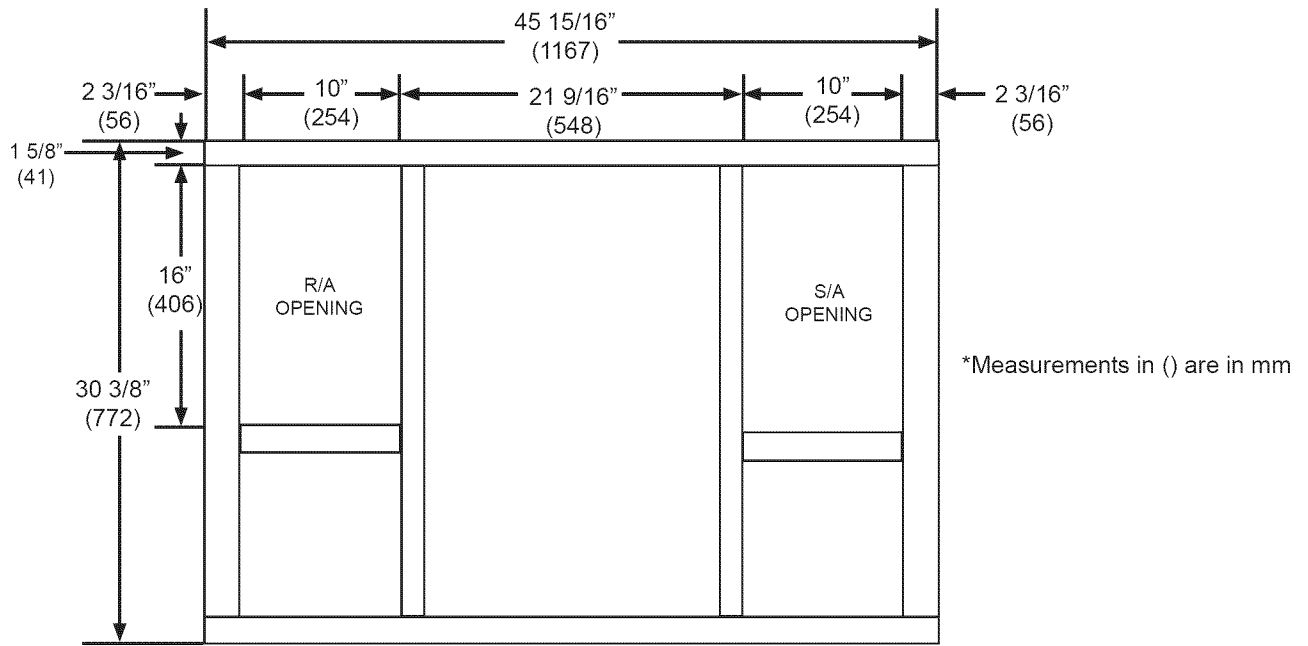


Fig. 2 - Top View

4. Remove old gasket material from top perimeter of existing curb.
5. Caulk top surface of exiting curb - perimeter and duct openings - to provide seal between curb and adaptor.
6. If this is a retrofit applications the duct will already be installed in exiting curb. Set adaptor on top of curb opening duct openings correctly, as shown.
For new installations, adaptor can be set on top of curb and duct dropped through and hang from top of adaptor.

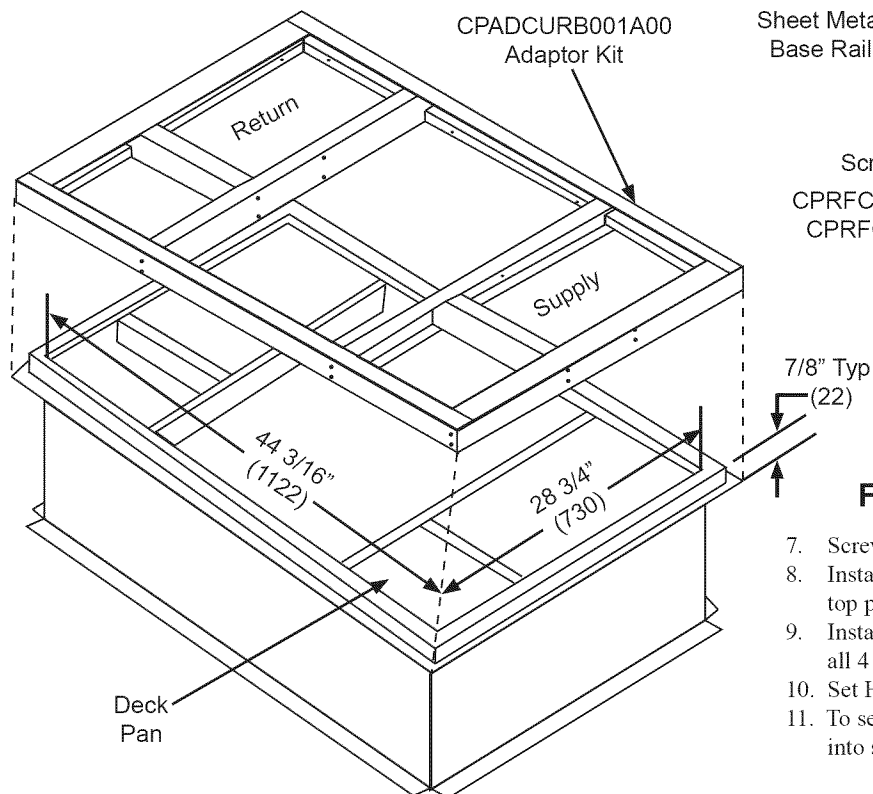


Fig. 4 - Adaptor on Existing Curb

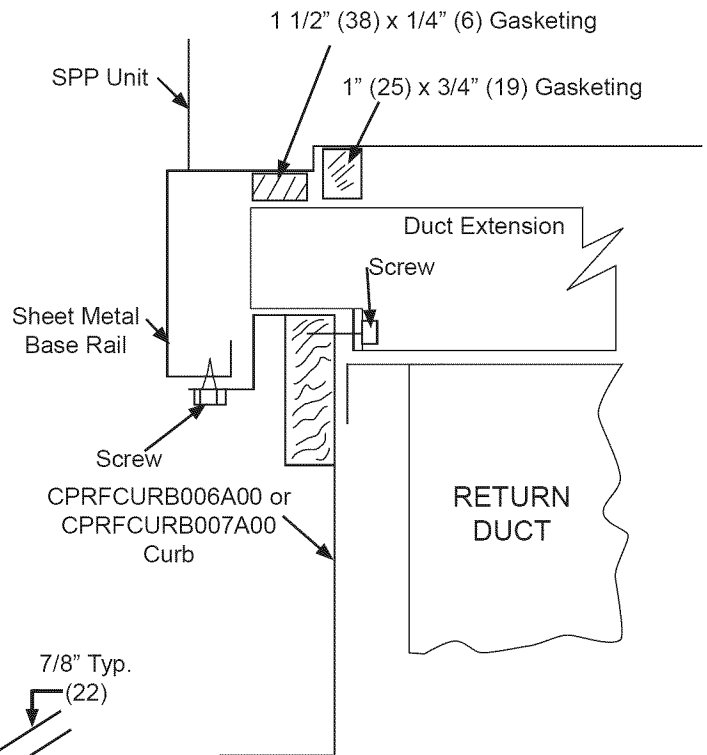


Fig. 3 - Roofcurb Adaptor Detail

7. Screw inside flange of adaptor to existing curb, see Fig. 3.
8. Install the 1 1/2" (38mm) x 1/4" (6mm) gasketing around the top perimeter of the adaptor kit - all 4 sides, see Fig. 3.
9. Install the 1" (25mm) x 3/4" (19mm) thick gasketing around all 4 sides of the return and supply duct openings. See Fig. 3.
10. Set HVAC unit with sheet metal base rail on top of adaptor.
11. To secure unit to roofcurb, screw through bottom flange of curb into steel base rail, Fig. 3.