



EZProx Contactless Reader

User's Manual

Version 1.0

August 2006

<http://www.castech.com.tw>

CASTLES TECHNOLOGY

Doc.#

Confidential Level:

Table of Contents

TABLE OF CONTENTS	1
REVISION HISTORY	2
WARNING	3
ABOUT THIS MANUAL	3
1 INTRODUCTION	4
2 PACKING LIST	4
3 POWER	5
4 CONNECTOR AND PIN ASSIGNMENT	5
4.1 DC JACK.....	5
4.2 RS232 PORT1(COM 1).....	5
4.2.1 Connector type.....	5
4.2.2 PIN Assignment	6
4.3 RS232 PORT2(COM 2).....	6
4.3.1 Connector type.....	6
4.3.2 PIN Assignment	6
4.4 USB PORT	6
4.4.1 Connector type.....	6
4.4.2 PIN Assignment	6
5 INSTALLATION	7
5.1 POWER AND RS232 CABLE.....	7
5.2 CARD HOLDER	7
5.3 45° FOOT STAND	8
5.4 SAM INSERTION	9
5.5 PLACEMENT NOTICE	10
6 LED INDICATOR	10
6.1 FRONT SIDE.....	10
6.2 REAR SIDE	11
6.3 LED'S REPRESENTATION STATES	11
7 CONTACTLESS CARD LANDING ZONE	11

Revision History

Version	Date	Editor	Description
V1.0	2006.08.01	Mindy	Created

WARNING

Information in this document is subject to change without prior notice.

No part of this publication may be reproduced, transmitted, stored in a retrieval system, nor translated into any human or computer language, in any form or by any means, electronic, mechanical, magnetic, optical, chemical, manual, or otherwise, without the prior written permission of Castles Technology Co., Ltd.

All trademarks mentioned are proprietary of their respective owners.

FCC Compliance Statement:

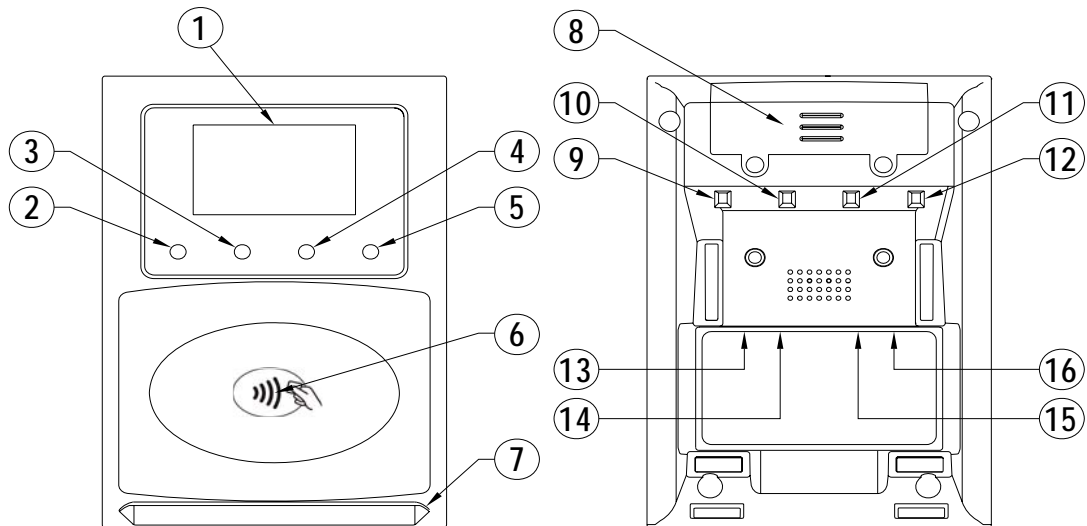
This device complies with Part 15 of the FCC Rules. Operation is subject to the following two conditions: (1) This device may not cause harmful interference, and (2) This device must accept any interference received, including interference that may cause undesired operation.

Note: The manufacturer is not responsible for any radio or TV interference caused by unauthorized modifications to this equipment. Such modifications could void the user's authority to operate the equipment.

ABOUT THIS MANUAL

1 Introduction

The description of EZProx Contactless Reader.



- | | | | |
|---|----------------|----|-----------------|
| 1 | LCD DISPLAY | 9 | RED LED |
| 2 | BLUE LED | 10 | GREEN LED |
| 3 | ORANGE LED | 11 | ORANGE LED |
| 4 | GREEN LED | 12 | BLUE LED |
| 5 | RED LED | 13 | POWER DC-JACK |
| 6 | LANDING ZONE | 14 | USB (MINI Type) |
| 7 | CARD HOLDER | 15 | COM1(RJ11) |
| 8 | SAM CARD COVER | 16 | COM2(RJ11) |

2 Packing List

- ✓ EZPROX *1
- ✓ 45° FOOT STAND *1
- ✓ CARD HOLDER*1
- ✓ SCREW*2
- ✓ ADAPTER*1 (Option)
- ✓ RS232 CABLE (Option)

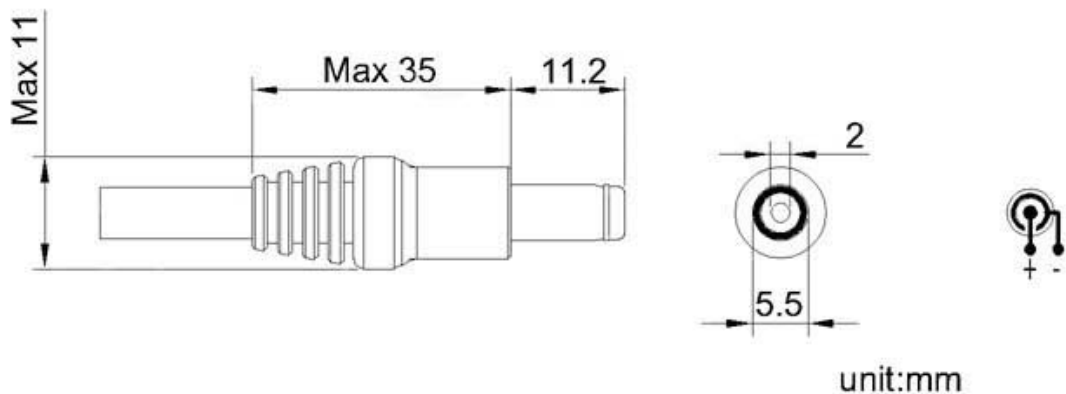
3 Power

There are two ways to supply the power to the reader, please choose one of the follows:

- ✓ By external adapter 9V/500mA (through DC Jack), please refer to 4.1
- ✓ By RS232 Port1 (COM1) 5V/500mA, please refer to 4.2
- ✓ By USB Port 5V/500mA, please refer to 4.4

4 Connector and PIN Assignment

4.1 DC Jack



EZPROX DC Jack Cable

AC In : Depends on local environment.
 DC Output : 9V/500mA

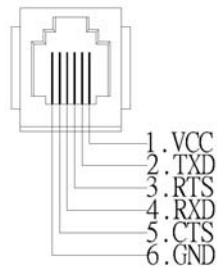
2.0mm DC Jack Head

Inside : Plus/9V(+)
 Outside : GND(-)

4.2 RS232 Port1(COM 1)

- 4.2.1 **Connector type**
 Standard RJ11

4.2.2 PIN Assignment



4.3 RS232 Port2(COM 2)

4.3.1 Connector type

Same as RS232 Port 1.

4.3.2 PIN Assignment

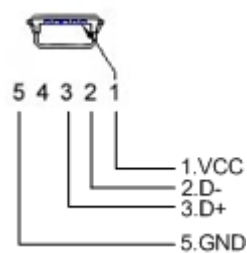
Same as RS232 Port 1.

4.4 USB Port

4.4.1 Connector type

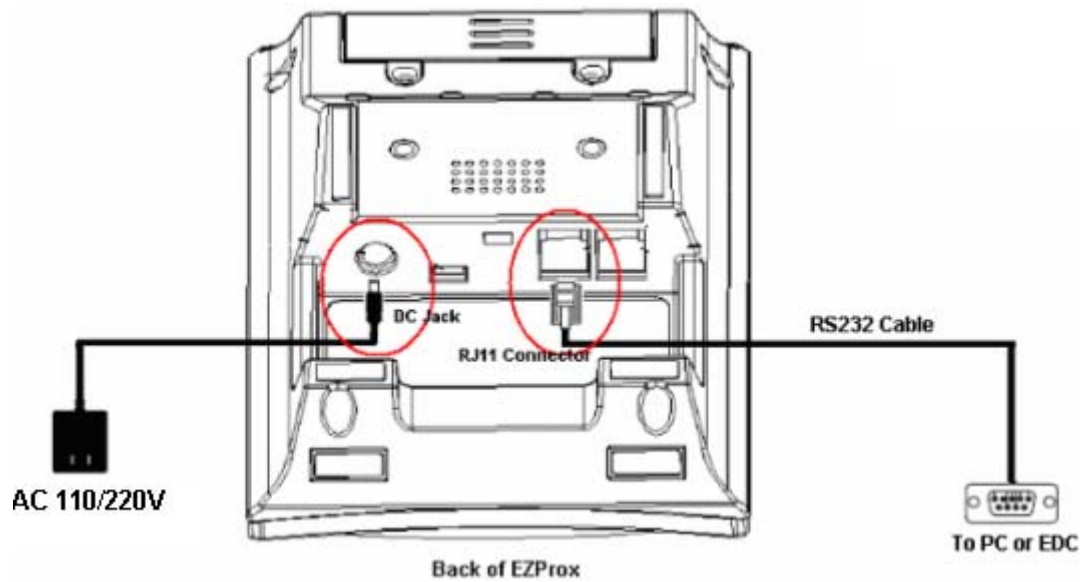
Standard Mini USB type A

4.4.2 PIN Assignment

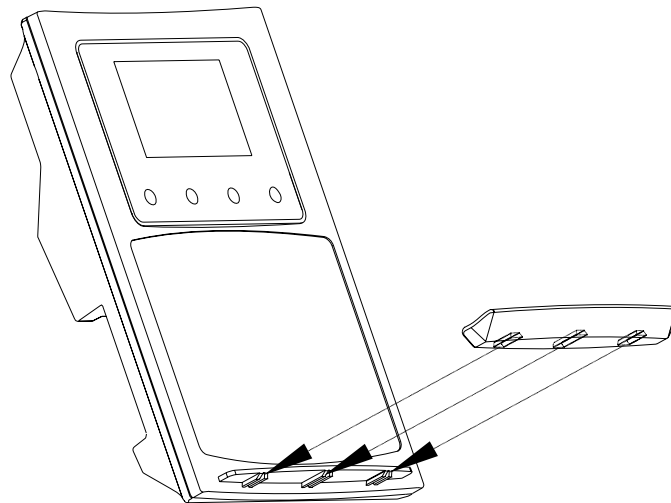


5 Installation

5.1 Power and RS232 Cable

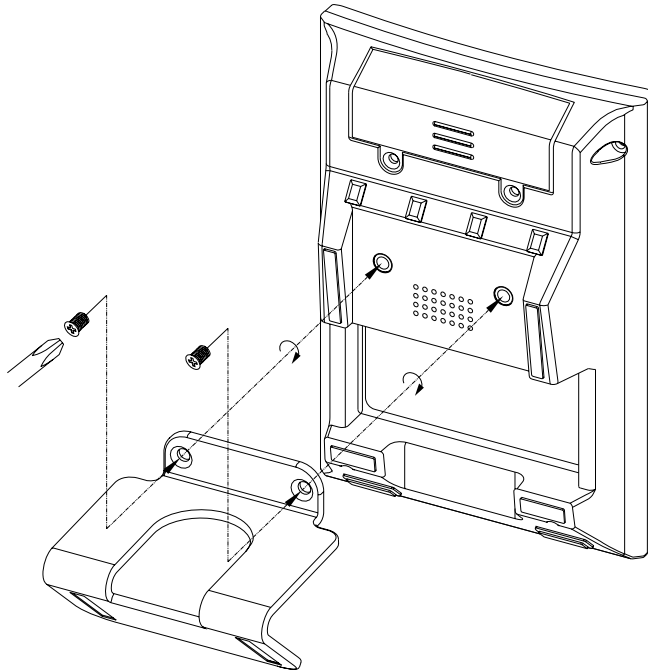


5.2 Card Holder



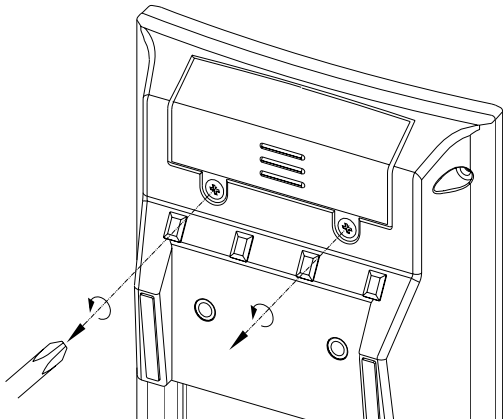
5.3 45° Foot Stand

User can directly put Ezprox on desk with 8° angle or install this stand to make EZPROX stand with 45° angle.

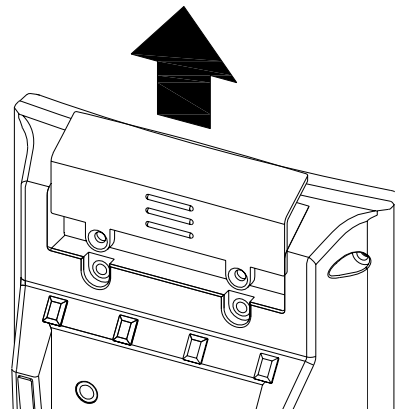


5.4 SAM Insertion

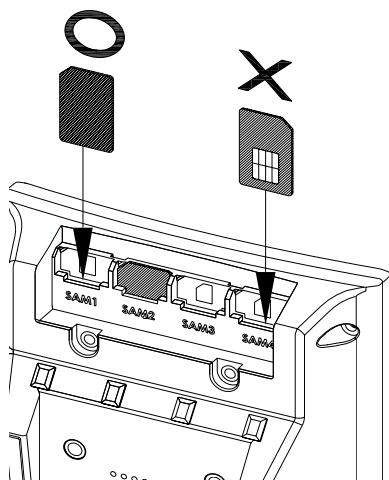
Step 1. Unscrew SAM Cover



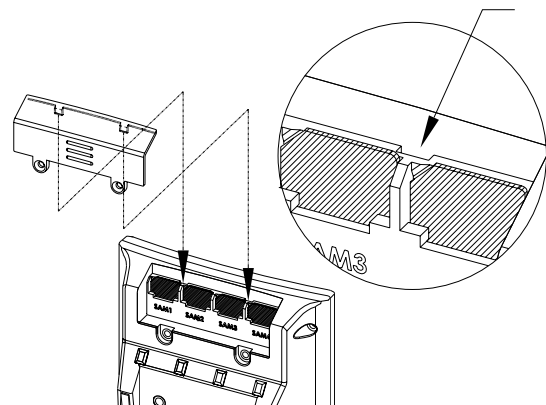
Step 2. Open SAM Cover



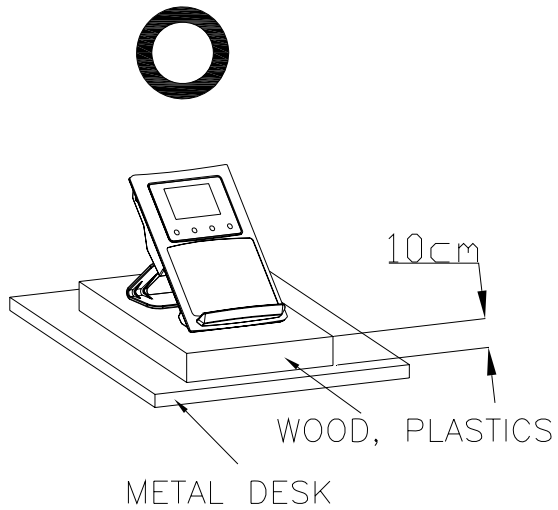
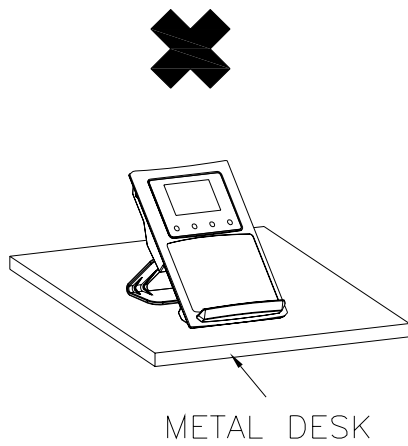
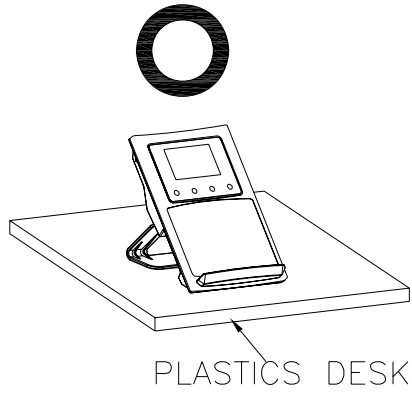
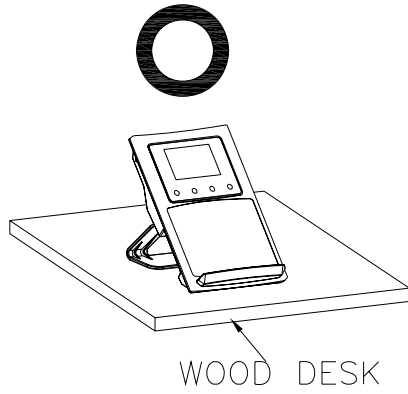
Step 3. Insert SAM Card



Step 4. Close SAM Cover



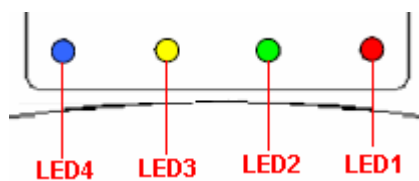
5.5 Placement Notice



6 LED Indicator

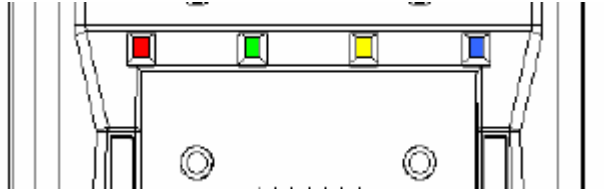
6.1 Front side

4 LEDs in front side.



6.2 Rear side

4 LEDs in rear side.



6.3 LED's Representation States

The state of the LED indicators described as follows:

- After EZPROX initialization and ready for transaction, the blue LED indicates terminal is ready to conduct a Contactless card (PayPass , VisaWave , JCB or others) ? transaction.



- Blue and yellow indicates that a card or device has been detected and the processing has started



- Blue, yellow and green indicates a SUCCESS reading status.



- Blue, yellow and red indicates a FAILURE reading status.



All of the four different coloured LEDs should not light up at the same time.

7 Contactless Card Landing Zone

The icon of Land Zone has printed on the center of working area, which indicate that where is the correct location to approach user's card

