

EZWave Contactless Reader

User's Manual

Version 1.0

September 2008

<http://www.castech.com.tw>

CASTLES TECHNOLOGY

Doc.#

Confidential Level:

Table of Contents

<u>TABLE OF CONTENTS.....</u>	<u>1</u>
<u>REVISION HISTORY.....</u>	<u>1</u>
<u>WARNING.....</u>	<u>2</u>
<u>ABOUT THIS MANUAL.....</u>	<u>2</u>
<u>1 INTRODUCTION.....</u>	<u>3</u>
<u>2 PACKING LIST.....</u>	<u>3</u>
<u>3 POWER.....</u>	<u>4</u>
<u>4 INSTALLATION.....</u>	<u>4</u>
FOOT STAND.....	4
SAM INSERTION.....	5
PLACEMENT NOTICE.....	6
<u>5 LED INDICATOR.....</u>	<u>6</u>
FRONT SIDE.....	6
LED'S REPRESENTATION STATES.....	7
<u>6 CONTACTLESS CARD LANDING ZONE.....</u>	<u></u>

Revision History

Version	Date	Editor	Description
V1.0	2008.09.16	Bill	Created

WARNING

Information in this document is subject to change without prior notice.

No part of this publication may be reproduced, transmitted, stored in a retrieval system, nor translated into any human or computer language, in any form or by any means, electronic, mechanical, magnetic, optical, chemical, manual, or otherwise, without the prior written permission of Castles Technology Co., Ltd.

All trademarks mentioned are proprietary of their respective owners.

FCC Compliance Statement:

This device complies with Part 15 of the FCC Rules. Operation is subject to the following two conditions: (1) This device may not cause harmful interference, and (2) This device must accept any interference received, including interference that may cause undesired operation.

Note: The manufacturer is not responsible for any radio or TV interference caused by unauthorized modifications to this equipment. Such modifications could void the user's authority to operate the equipment.

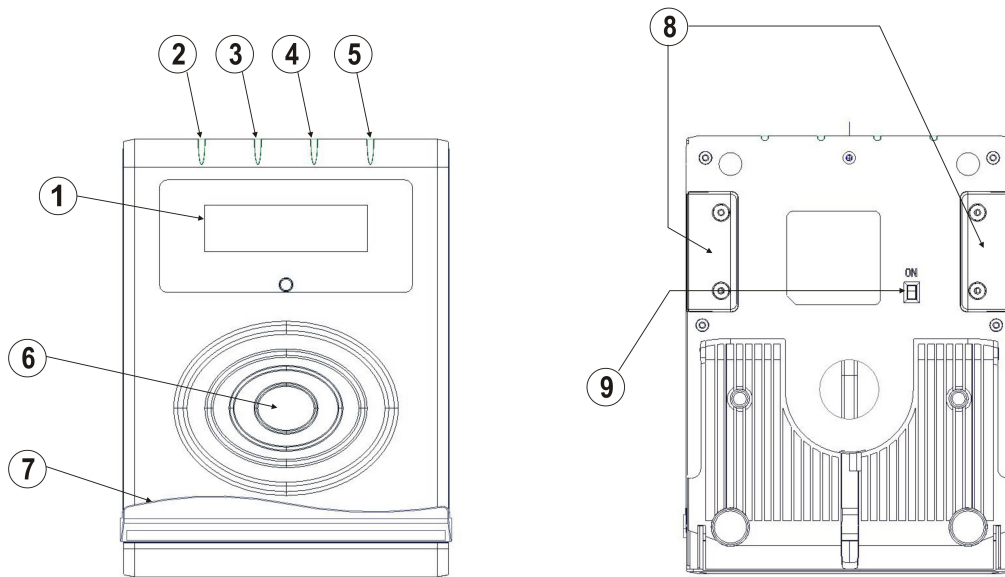
This equipment has been tested and found to comply with the limits for a Class B digital device, pursuant to part 15 of the FCC Rules. These limits are designed to provide reasonable protection against harmful interference in a residential installation. This equipment generates, uses and can radiate radio frequency energy and, if not installed and used in accordance with the instructions, may cause harmful interference to radio communications. However, there is no guarantee that interference will not occur in a particular installation. If this equipment does cause harmful interference to radio or television reception, which can be determined by turning the equipment off and on, the user is encouraged to try to correct the interference by one or more of the following measures:

- Reorient or relocate the receiving antenna.
- Increase the separation between the equipment and receiver.
- Connect the equipment into an outlet on a circuit different from that to which the receiver is connected.
- Consult the dealer or an experienced radio/TV technician for help.

ABOUT THIS MANUAL

1. Introduction

The description of EZWave Contactless Reader.



- 1 LCD DISPLAY
- 2 GREEN LED
- 3 RED LED
- 4 ORANGE LED
- 5 RED LED

- 6 LANDING ZONE
- 7 CARD HOLDER
- 8 SAM CARD COVER
- 9 SWITCH

2. Packing List

- ✓ EZWave *1
- ✓ SDK *1

3. Power

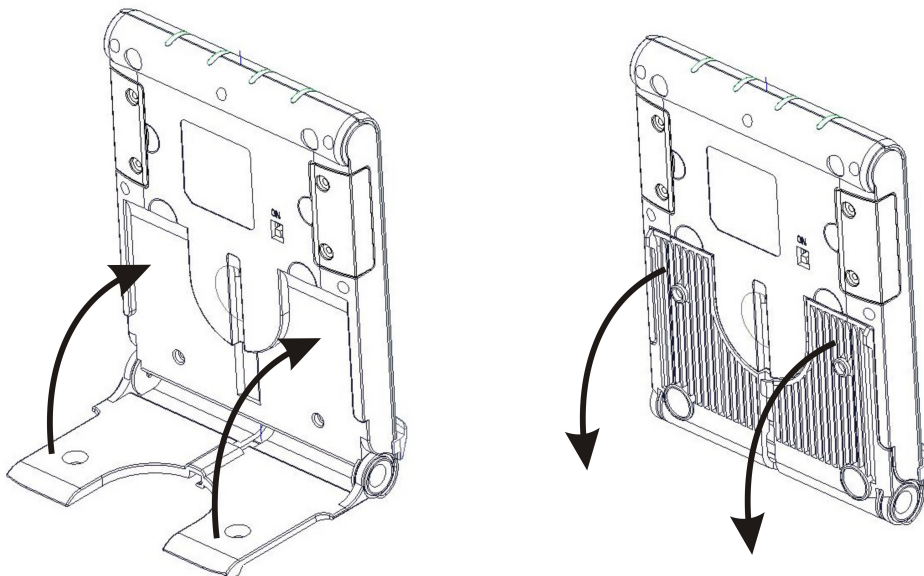
There are two ways to supply the power to the reader, please choose one of the follows:

- ✓ By PS2 keyboard Port,
- ✓ By USB Port,

4. Installation

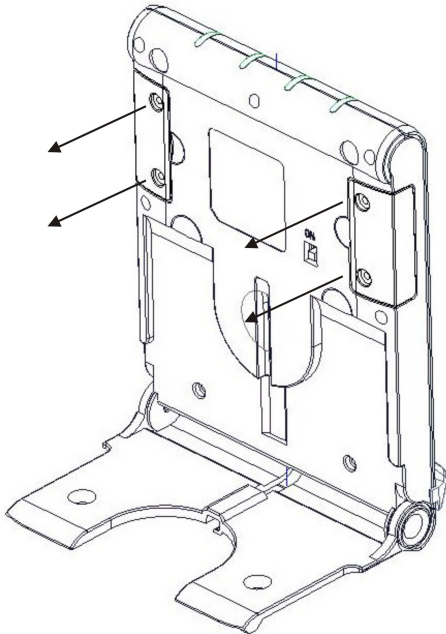
Foot Stand

User can be open or close the foot stand like the picture.

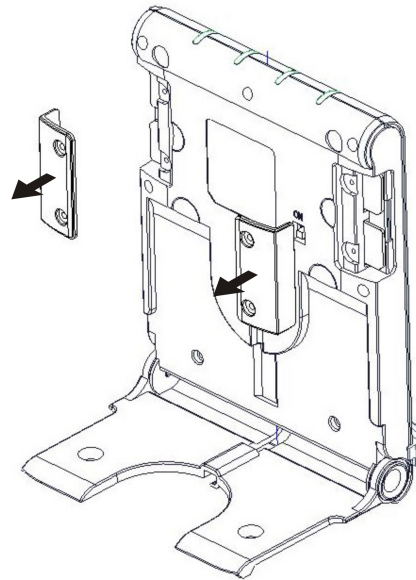


SAM Insertion

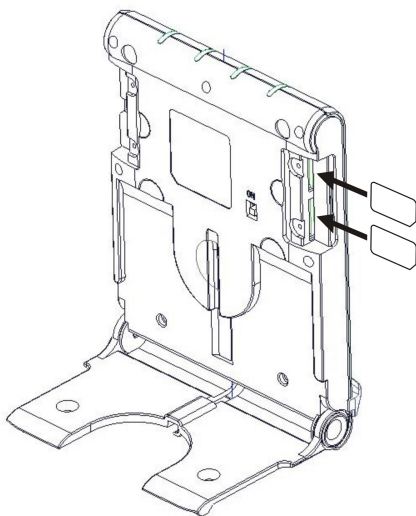
Step 1. Unscrew SAM Cover



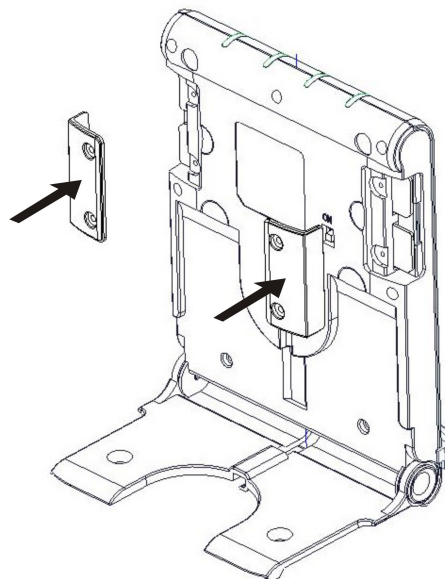
Step 2. Open SAM Cover



Step 3. Insert SAM Card

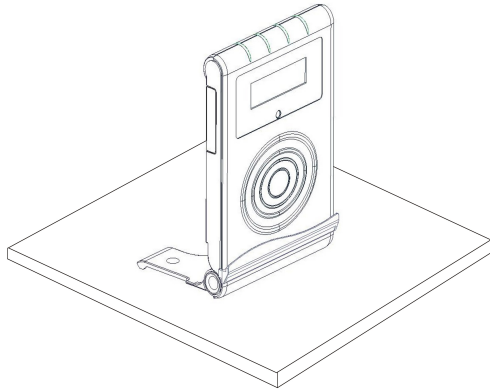


Step 4. Close SAM Cover

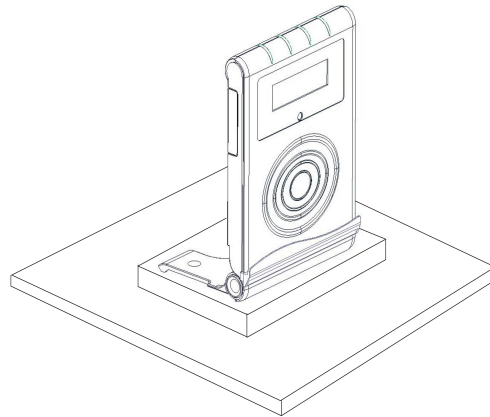


Placement Notice

X. METAL

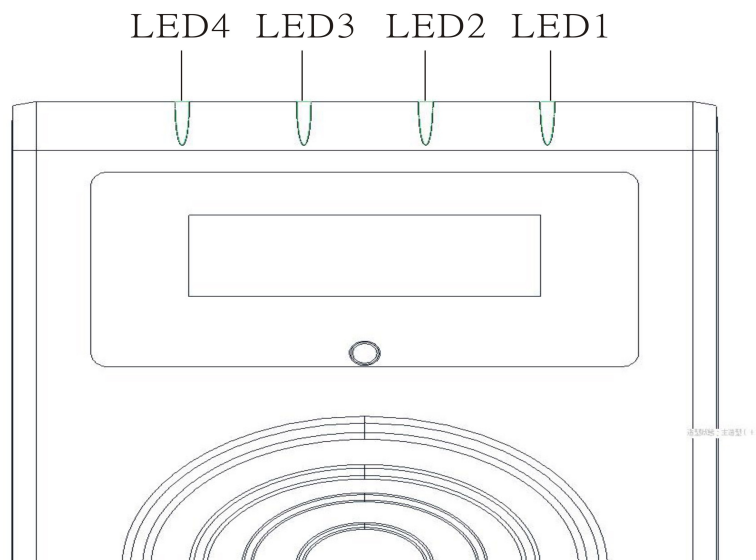


O. WOOD OR PLSTICS



5. LED indicator

FRONT SIDE



LED's Representation States

The state of the LED indicators described as follows by user define

6. Contactless Card Landing Zone

The icon of Land Zone has printed on the center of working area, which indicate that where is the correct location to approach user's card

