

# Instructions

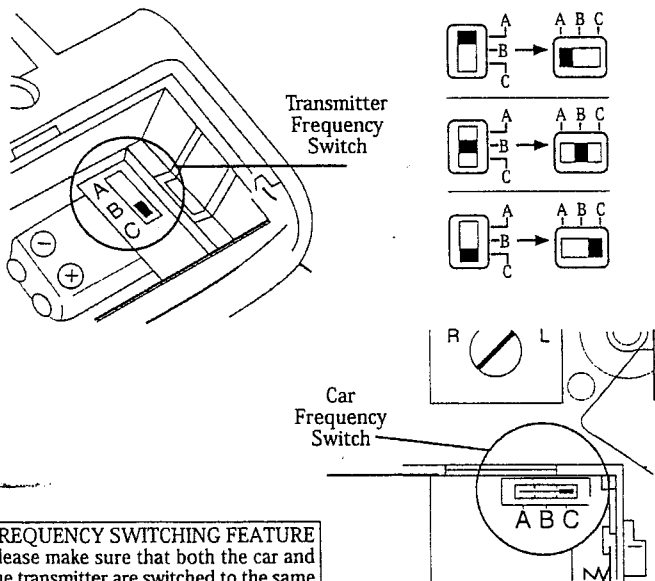
ENG

\*These instructions should be read by a supervising adult

1

## A,B,C FREQUENCY SWITCH

Your car has a variable frequency feature that allows up to three Pro Sport cars to run together without radio interference. Each car and transmitter is factory set on the 'A' switch. To change the operating frequency of your car, simply move the switch on the car and transmitter to the same letter, either A, B or C.



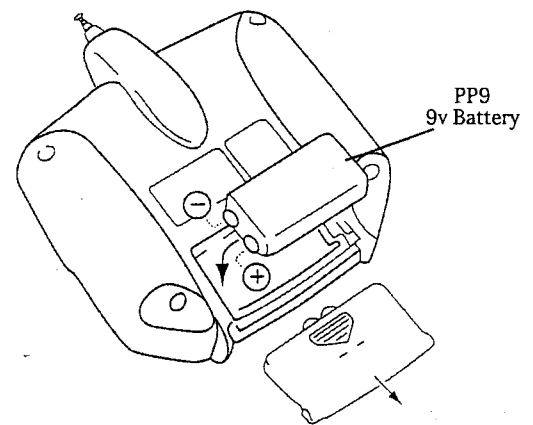
**FREQUENCY SWITCHING FEATURE**  
Please make sure that both the car and the transmitter are switched to the same radio frequency: A-A, B-B, C-C.

2

## INSTALLING THE 9V DRY BATTERY IN YOUR TRANSMITTER

Always use a fresh 9v battery in the transmitter.

- 1) Ensure transmitter 'ON/OFF' switch is in the 'OFF' position.
- 2) Remove battery cover by pressing down on the embossed arrow and sliding the cover as indicated.
- 3) Insert rear of 9v battery first, noting correct location (polarity + or -), and press down. Then, whilst holding down the 9v battery...
- 4) Slide battery cover back into place.



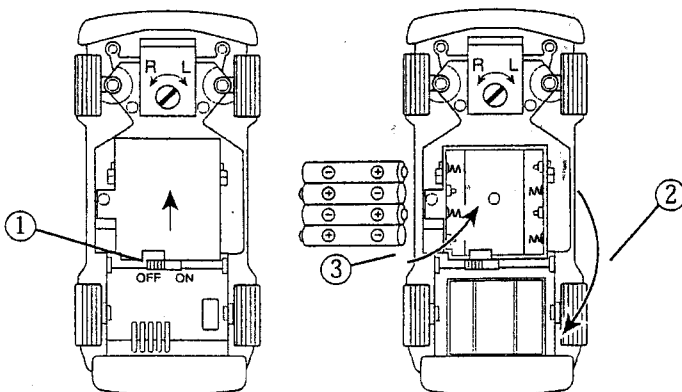
**NOTE:** This car is supplied with a start-up 9v dry cell battery. Once this battery is depleted, please replace it with a dry cell 9v battery (Alkaline recommended) or fully charged 9v rechargeable battery. Remove 9v battery from the transmitter if you do not intend to use it for a period of time.

3

## INSTALLING AA DRY CELLS IN YOUR CAR

Always use fresh AA batteries in the car

- 1) Ensure car 'ON/OFF' switch is in the 'OFF' position.
- 2) Open battery case cover by pushing down carefully and sliding the cover towards the front of the car as indicated - cover will pivot on its concealed hinge to give access to the battery compartment.
- 3) Insert 4x AA batteries into the battery compartment, noting correct location (polarity + or -).
- 4) Close battery cover and slide back into place.



**NOTE:** This car is supplied with a start-up set of 4 x AA dry cell batteries. Once these batteries have been depleted, please replace them with AA size dry cell Alkaline batteries or fully charged AA size rechargeable batteries. Remove all batteries from the car if you do not intend to use it for a period of time.

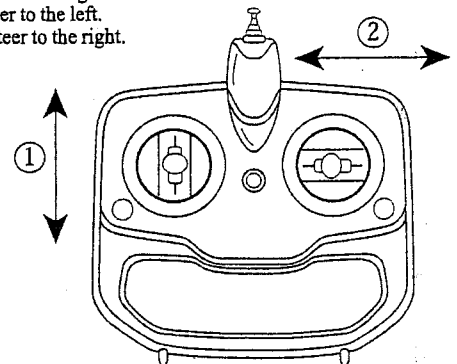
4

## HOW TO CONTROL/OPERATE YOUR CAR

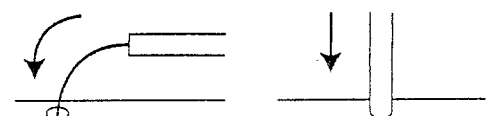
- 1) Forward/Reverse Throttle Stick  
Your car can be driven forward or backwards by either pushing or pulling the throttle stick. Push the stick away from you to run your car forwards and pull the stick towards you to run your car in reverse.

**NOTE:** Forward/Reverse speed is proportional, allowing you to vary your car's speed.

- 2) Left/Right Steering Stick  
This stick controls your car's left and right movement. Push the stick to the left to steer to the left. Push the stick to the right to steer to the right.



- 3) Antenna Installation
  - a) Push car antenna tube into hole as indicated.
  - b) Switch 'ON' your transmitter and fully extend its aerial.
  - c) Switch 'ON' your car.

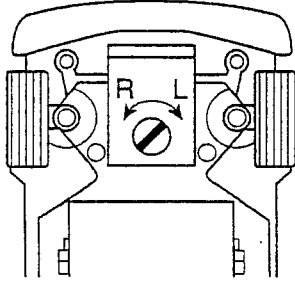


### THE CAR DOES NOT RUN IN A STRAIGHT LINE

If your car does not run in a straight line when not being steered, you can adjust it by using the steering trim located on the underside of your car. You can adjust the trim control using a screwdriver, coin, paper clip or similar.

Run your car on a flat surface when adjusting steering. If your car runs to the right when not being steered, turn the trim control to the right, towards the 'L' mark until it runs straight. Turn the trim towards the 'R' mark to correct if your car steers to the left without being steered.

**NOTE:** Details relating to trim adjustment are incorrectly quoted on the package box. The information given above is correct.



### CAUTION!

Please observe the following warnings.

#### DURING OPERATION

- The transmitter has a range of approximately 15m outdoors. Do not drive the car outside this distance or control will be lost.
- Ensure that all batteries are correctly installed.
- Before using the car you should first switch 'ON' the transmitter, fully extend the transmitter aerial, and then switch 'ON' the car.
- Do not touch moving parts during operation.

#### AFTER USE

- When you have finished driving your car, you should first switch 'OFF' your car, then switch 'OFF' your transmitter, and carefully retract the transmitter aerial.
- Retract transmitter aerial by pulling down from near its base, not by pushing down from its tip.
- Remove batteries from your transmitter and car when not in use.

#### ALWAYS REMOVE BATTERIES WHEN NOT IN USE

If you leave the transmitter and car switches 'ON', this will deplete the batteries and could result in a runaway car. Also, batteries that are not removed may leak and could damage your car and/or transmitter.

#### STORING YOUR CAR SAFELY

- Always remove all batteries before storing your car.
- Never store your car near naked flames, in high temperatures (including radiators) or in direct sunlight.
- Never store your car near water, outdoors or in the rain.
- Ideally, store your car and transmitter in the box in which they were supplied.

### GENERAL INFORMATION ON THE SAFE OPERATION OF YOUR CAR

Please follow these simple rules to ensure the safe operation and gain the maximum enjoyment from your car.

- Avoid overloading your car. Never run it on surfaces where its movement will be restricted or up steep hill climbs. This can overstress the motor and transmission.
- Ensure nothing prevents the smooth running of wheels and other moving parts.
- Avoid running on loose gravel or sandy surfaces as this will cause poor acceleration, increased battery drain and increased component wear.
- Avoid running in long grass as this can entangle drive shafts, wheels, etc.
- Do not run your car in confined spaces.
- Ensure that nobody is operating on the same radio frequency as you. If you do detect interference, change your own frequency using the 'A,B,C' switches on both car and transmitter.

- Never run your car near a main road or in a public space where it might upset or endanger others.
- Never run your car on surfaces that are wet and never drive your car in the rain or in water.
- Immediately switch off your car and transmitter and retract its aerial if you see lightning or hear thunder.

Do not dismantle or tamper in any way with this R/C vehicle and its transmitter. The manufacturer and distributor will accept no responsibility, expressed or implied, for accidents or injuries caused as a result of disassembly, modification and/or usage against the Instructions for this product.

Tampering or modification will also invalidate the guarantee.

Specifications are subject to change without notice.

### TROUBLE SHOOTING

\* Check using the chart below before returning your car for repair as many problems are easily solved.

PROBLEM	CAUSE	REMEDY
Car will not move	No battery in transmitter/car	Install batteries
	Battery installation is incorrect	Install batteries correctly
	Weak battery in transmitter	Install a fresh battery
	Weak battery (Power Pack) in car	Charge battery (Install fresh batteries)
	Radio interference	Change frequency with A,B,C switch
No control of car	Weak battery in transmitter	Install a fresh battery
	Radio interference	Change frequency with A,B,C switch
Limited radio range	Weak battery in transmitter	Install a fresh battery
	Radio interference	Change frequency with A,B,C switch
	Transmitter aerial cannot be extended	Replace transmitter aerial
	Car aerial is broken	Replace car aerial

\* Turn on your transmitter and car, then wait a few seconds before operation.

C-RMX2953

1:20

Subaru Impreza 2002 WRC

C-RMX2957

1:20

Brookspeed Viper GTSR



## **Warning**

Changes or modifications to this unit not expressly approved by the party responsible for compliance could void the user's authority to operate the equipment.

## **NOTE**

This equipment has been tested and found to comply with the limits for a Class B digital device, pursuant to Part 15 of the FCC Rules. These limits are designed to provide reasonable protection against harmful interference in a residential installation. This equipment generates, uses and can radiate radio frequency energy and, if not installed and used in accordance with the instructions, may cause harmful interference to radio communications.

However, there is no guarantee that interference will not occur in a particular installation. If this equipment does cause harmful interference to radio or television reception, which can be determined by turning the equipment off and on, the user is encouraged to try to correct the interference by one or more of the following measures:

- Reorient or relocate the receiving antenna.
- Increase the separation between the equipment and receiver.
- Connect the equipment into an outlet on a circuit different from that to which the receiver is needed.
- Consult the dealer or an experienced radio/TV technician for help.