

STARTER KIT USER'S GUIDE

XMODS

RC VEHICLES YOU CAN CUSTOMIZE

PRECISION CONTROL!

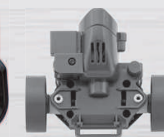
Adjust the trim from your XMODS controller. Page 10.



The 6000939 XMODS Starter Kit revs up your XMODS experience.

WHAT'S UNDER YOUR HOOD?

Awesome upgrades! Page 12.



Please read this user's guide before building and using your new car.



Contents

- XMODS Custom RC Starter Kit 3**
 - Your Starter Kit Includes 3
- Assembling Your XMODS Custom RC 4**
 - Assembling the Car Chassis..... 4
 - Installing Batteries in the Chassis 6
 - Mounting the Car Body on the Chassis..... 6
- Setting Up Your Controller 8**
 - Installing the Battery..... 8
 - Pairing Your Controller and the Car 8
 - Driving Your Car and Adjusting Trim..... 10
- When You Finish Driving 10**
- XMODS Upgrades 12**
- FCC Information..... 14**
- Limited Warranty 14**



XMODS Custom RC Starter Kit

Your starter kit includes the following features:

- Four-wheel spring suspension to provide improved handling over uneven surfaces
- Decals to customize the body exterior
- Multiple frequency bands that allow up to eight people to race
- Digital proportional steering for optimal speed, acceleration, and maneuverability

To really get your motor running, customize your XMODS with optional upgrades for both performance and looks, available at your local **RadioShack** store. Check out the line-up of XMODS upgrades available online at www.RadioShack.com.

Your Starter Kit Includes



Controller



Car Body



Rear Unit



Front Unit



Battery Unit

Screws (4)

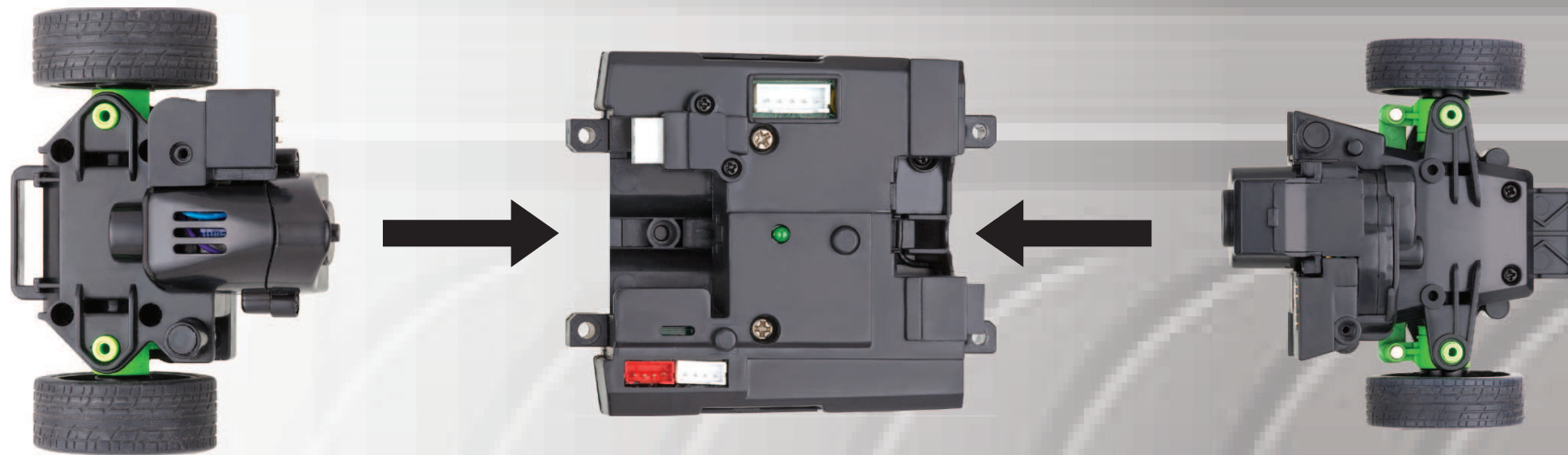
Decal Sheet

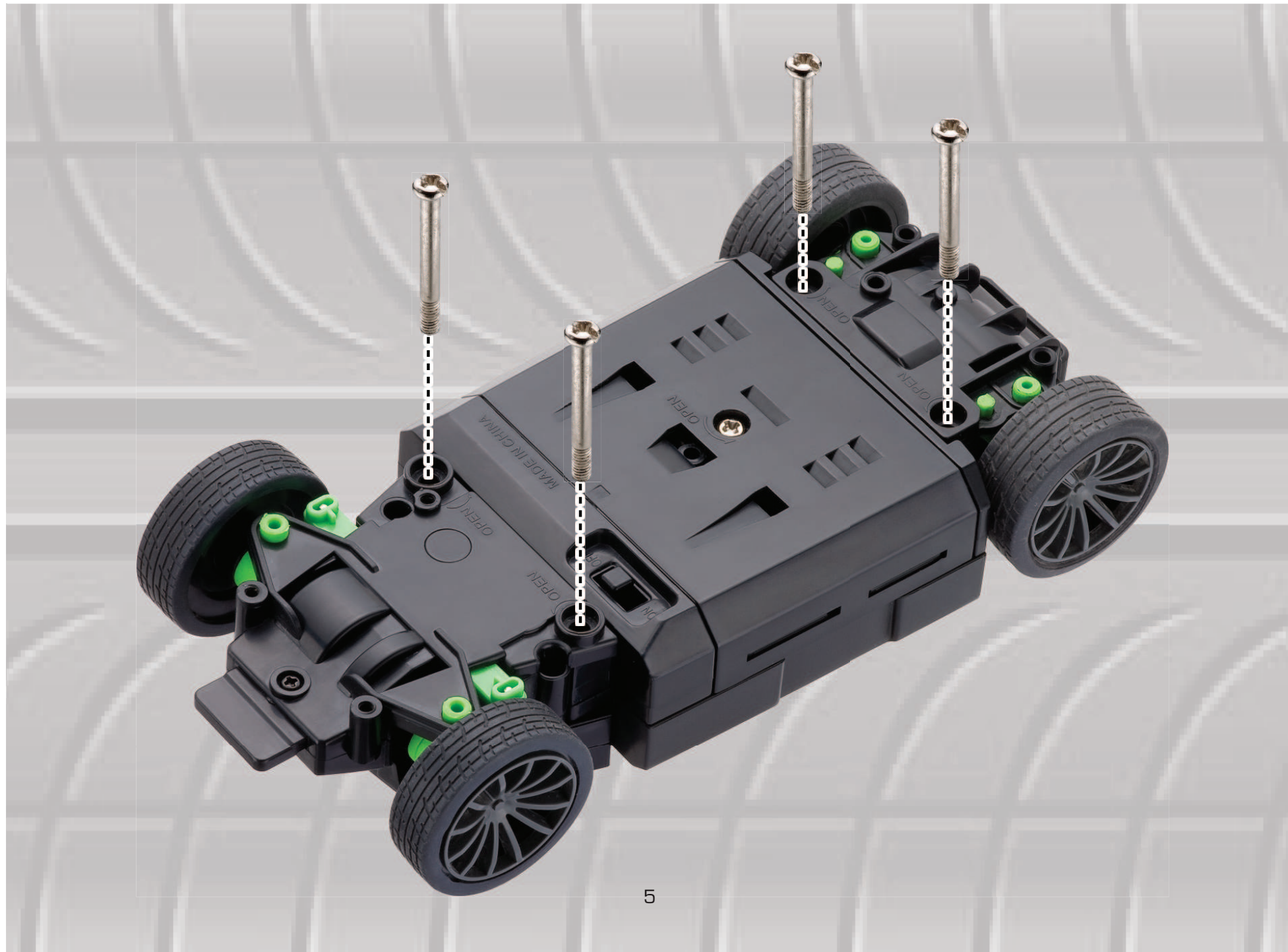
User's Guide

Assembling Your XMODS Custom RC

Assembling the Car Chassis

1. Connect the terminal of the Front Unit to the terminal of the Battery Unit, and secure them with two screws.
2. Connect the terminal of the Rear Unit to the terminal of the Battery Unit, and secure them with two screws.





Installing Batteries in the Chassis

1. Make sure the power switch on the chassis is OFF.
2. Remove the screw on the battery compartment cover. Then carefully unlatch the battery compartment cover and remove the cover.
3. Insert four AA batteries (not included) in the compartment, matching the polarity symbols (+ and –) marked inside.
4. Replace the battery compartment cover and screw.

Battery Notes:

- Dispose of old batteries promptly and properly. Do not burn or bury batteries.
- Use only fresh batteries of the required size and recommended type.
- Do not mix old and new batteries, different types of batteries (standard, alkaline, or rechargeable), or rechargeable batteries of different capacities.
- If you do not plan to use the vehicle for several days, remove the batteries. Batteries can leak chemicals that can destroy electronic parts.

Mounting the Car Body on the Chassis

1. Insert the chassis tab into the slot inside the front bumper.
2. Lower the rear of the body so the tab near the back of the car body enters the slot behind the rear axle. Press gently until you hear a click.

To remove the body from the chassis, press the tab from Step 2 gently toward the rear of the vehicle and lift the rear part of the chassis. Gently slide the car body's nose from the chassis.



Setting Up Your Controller

Installing the Battery

Your controller needs a 9V battery (not included). We recommend 9V alkaline batteries for best performance.

1. Make sure the power switch is OFF, and remove the screw on the battery compartment.
2. Place the 9V battery in the compartment, matching the polarity symbols (+ and -) marked inside.
3. Snap the cover back in place and replace the screw.

Battery Notes:

- When you notice the LED is off or the range of your car decreases, replace the battery.
- Dispose of old batteries promptly and properly. Do not burn or bury batteries.
- Use only fresh batteries of the required size and recommended type.
- If you do not plan to use the vehicle for several days, remove the battery. Batteries can leak chemicals that can destroy electronic parts.

Pairing Your Controller and the Car

Your XMODS operates at a frequency of 2.4Ghz. Before driving the first time, you must pair the controller and car.

1. Turn on the controller.
2. Turn on the car (The power switch is under the chassis). The LED indicator on the car flashes slowly.
3. Press and hold the car pairing button for 3 seconds; the car LED flashes quickly. When the car LED stops flashing, pairing is complete.

Note:

- Your car and controller remain paired for future use, even when batteries are removed from the controller or the car.
- If the pairing failed, turn off the controller and the car, move closer, and then try again.



Pairing Button
LED Indicator

ON/OFF LED Indicator





Driving Your Car and Adjusting Trim

After you turn on both controller and car, squeeze the trigger to move forward and push the trigger away from the handle to go in reverse.

If your car does not drive straight when you release the steering wheel, adjust the trim:

1. Determine if the car steers too far to the right or left.
2. Turn off the controller, and then push the controller trigger fully forward.
3. Turn on the controller; the LED indicator on the controller flashes.
4. Keep the trigger held forward and turn the wheel to the right or left to adjust the trim.
 - If the car pulls to the right, turn the wheel to the left.
 - If the car pulls to the left, turn the wheel to the right.
5. Release the trigger; the LED indicator stops flashing and lights steadily.

Note: To avoid unintentionally adjusting the steering trim, do not operate the trigger or steering wheel when you turn on the controller.

Running your XMODS continuously for long periods can generate high heat levels. If the car overheats, its overheat protection will stop the car. In this case, switch the controller and the vehicle off and allow to cool for at least 10 minutes before resuming operation.

When You Finish Driving

To conserve battery life, turn off the controller and car after you finish driving.

- Handle your XMODS car and controller carefully and do not drop them. Keep away from dust and dirt. Wipe your car and controller with a damp cloth occasionally to keep them looking new.
- Keep your XMODS car and controller dry; if they get wet, wipe them dry immediately.
- Use and store only in normal temperature environments.





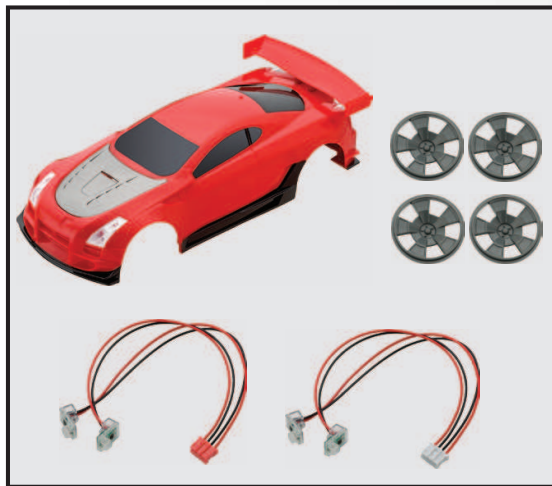
XMODS Upgrades

Modify and personalize your XMODS car with these available kits. Check out the entire line of XMODS upgrades and accessories at your local **RadioShack** store and www.RadioShack.com.



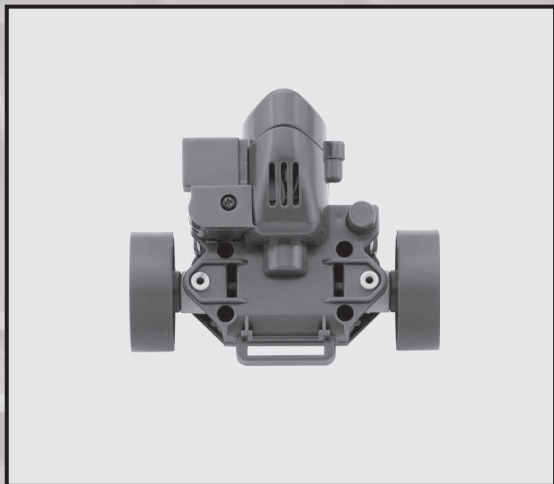
Body and Nitro Kit 6000944

This kit lets you boost performance with a super capacitor built to look like a supercharger and put a new body on your XMODS chassis to match the enhanced performance.



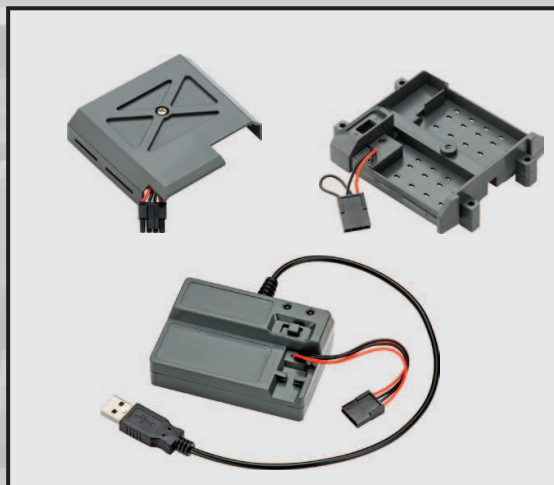
Body and Light Kit 6000945

This kit lets you add working LED headlights and taillights to your car, as well as put a new body on your XMODS chassis.



**Hi-Speed Rear Unit
6000946**

This Hi-Speed Rear Unit replaces the stock rear unit and is designed to reach higher speeds.



**Rechargeable Lithium Battery Pack and Charger
6000947**

Add recharging capabilities when you replace your XMODS car's AA battery compartment with a Lithium Polymer (LiPo) battery kit.



FCC Information

This equipment has been tested and found to comply with the limits for a Class B digital device, pursuant to Part 15 of the FCC Rules. These limits are designed to provide reasonable protection against harmful interference in a residential installation. This equipment generates, uses, and can radiate radio frequency energy and, if not installed and used in accordance with the instructions, may cause harmful interference to radio communications. However, there is no guarantee that interference will not occur in a particular installation. If this equipment does cause harmful interference to radio or television reception, which can be determined by turning the equipment off and on, the user is encouraged to try to correct the interference by one or more of the following measures:

- Reorient or relocate the receiving antenna.
- Increase the separation between the equipment and receiver.
- Connect the equipment into an outlet on a circuit different from that to which the receiver is connected.
- Consult your local **RadioShack** store or an experienced radio/TV technician for help.

If you cannot eliminate the interference, the FCC requires that you stop using your equipment. Changes or modifications not expressly approved by the party responsible for compliance could void the user's authority to operate the equipment.

This device complies with Part 15 of the FCC rules. Operation is subject to the following two conditions: (1) This device may not cause harmful interference, and (2) This device must accept any interference received, including interference that may cause undesired operation.

Limited Warranty

RadioShack warrants this product against defects in materials and workmanship under normal use by the original purchaser for **ninety (90) days** after the date of purchase from a **RadioShack**-owned store or an authorized **RadioShack** franchisee or dealer. **RADIOSHACK MAKES NO OTHER EXPRESS WARRANTIES.**

This warranty does not cover: (a) damage or failure caused by or attributable to abuse, misuse, failure to follow instructions, improper installation or maintenance, alteration, accident, Acts of God (such as floods or lightning), or excess voltage or current; (b) damage or failure caused by loss of control, loss of signal between the toy and its controller due to excessive range or low power, impact, violent contact, collision or rough use; (c) improper or incorrectly performed repairs by persons who are not a **RadioShack** Authorized

Service Facility; (d) consumables such as fuses or batteries; (e) ordinary wear and tear or cosmetic damage; (f) transportation, shipping or insurance costs; (g) costs of product removal, installation, set-up service, adjustment or reinstallation; and (h) claims by persons other than the original purchaser.

Should a problem occur that is covered by this warranty, take the product and the **RadioShack** sales receipt as proof of purchase date to any **RadioShack** store. **RadioShack** will, at its option, unless otherwise provided by law: (a) repair the product without charge for parts and labor; (b) replace the product with the same or a comparable product; or (c) refund the purchase price. All replaced parts and products, and products on which a refund is made, become the property of **RadioShack**. New or reconditioned parts and products may be used in the performance of warranty service. Repaired or replaced parts and products are warranted for the remainder of the original warranty period. You will be charged for repair or replacement of the product made after the expiration of the warranty period.

ALL IMPLIED WARRANTIES, INCLUDING THE IMPLIED WARRANTY OF MERCHANTABILITY AND, IF APPLICABLE, THE IMPLIED WARRANTY OF FITNESS FOR A PARTICULAR PURPOSE, SHALL EXPIRE ON THE EXPIRATION OF THE STATED WARRANTY PERIOD.

EXCEPT AS DESCRIBED ABOVE, **RADIOSHACK** SHALL HAVE NO LIABILITY OR RESPONSIBILITY TO THE PURCHASER OF THE PRODUCT OR ANY OTHER PERSON OR ENTITY WITH RESPECT TO ANY LIABILITY, LOSS OR DAMAGE CAUSED DIRECTLY OR INDIRECTLY BY USE OR PERFORMANCE OF THE PRODUCT OR ARISING OUT OF ANY BREACH OF THIS WARRANTY, INCLUDING, BUT NOT LIMITED TO, ANY DAMAGES RESULTING FROM INCONVENIENCE AND ANY LOSS OF TIME, DATA, PROPERTY, REVENUE, OR PROFIT AND ANY INDIRECT, SPECIAL, INCIDENTAL, OR CONSEQUENTIAL DAMAGES, EVEN IF **RADIOSHACK** HAS BEEN ADVISED OF THE POSSIBILITY OF SUCH DAMAGES.

Some states do not allow limitations on how long an implied warranty lasts or the exclusion or limitation of incidental or consequential damages, so the above limitations or exclusions may not apply to you. This warranty gives you specific legal rights, and you may also have other rights which vary from state to state. You may contact **RadioShack** at:

RadioShack Customer Relations
300 RadioShack Circle
Fort Worth, TX 76102

04/08

www.RadioShack.com



RoHS
COMPLIANT

Complies with the European Union's "Restriction of Hazardous Substances Directive," which protects the environment by restricting specific hazardous materials and products.

Car models for video games "Ridge Racer" series originally created by NAMCO BANDAI Games Inc.
Ridge Racer™ & ©NAMCO BANDAI Games Inc.

XMODS is a trademark used by *RadioShack* Corporation.

©2013. *RadioShack* Corporation.
All rights reserved. *RadioShack* is a registered trademark used by *RadioShack* Corporation.

06A13
6000939
Printed in China

