

STARTER KIT USER'S GUIDE

XMODS™

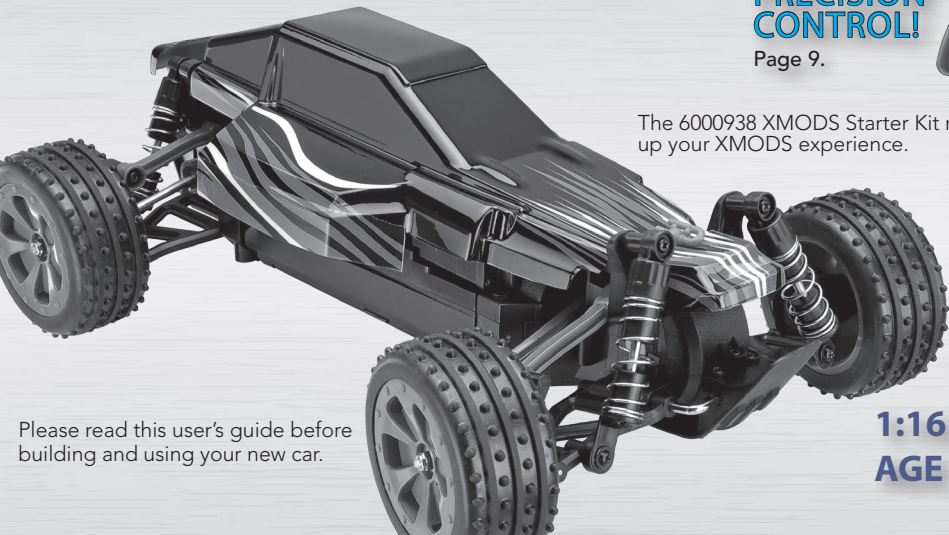
RC VEHICLES YOU CAN CUSTOMIZE

PRECISION
CONTROL!

Page 9.



The 6000938 XMODS Starter Kit revs up your XMODS experience.



Please read this user's guide before building and using your new car.

1:16 SCALE
AGE 8+

Contents

XMODS Custom RC Starter Kit.....	3
Installing Car Batteries.....	4
Using AA batteries (not included).....	4
Using a 9.6V Ni-MH battery (not included).....	4
Install the Controller Battery	5
Assembling Your XMODS Custom RC	6
Assembling the Car Chassis.....	6
Pairing Your Controller and the Car	7
Mounting the Car Body on the Chassis.....	8
Recommended Decal Placement.....	8
Driving Your Car and Adjusting Trim	9
When You Finish Driving	10
Xmods Upgrades.....	11
Installing the 4WD Unit.....	11
Installing the Hi-Speed Rear Unit	11
FCC Information.....	12
Limited Warranty	12

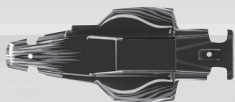
XMODS Custom RC Starter Kit

Thank you for purchasing your XMODS Custom RC Start Kit! Your starter kit features:

- Four-wheel spring suspension to provide improved handling over uneven surfaces.
- Decals to customize the body exterior.
- Multiple frequency bands that allow up to eight people to race.
- Digitally proportional steering for optimal speed, acceleration, and maneuverability.

To really get your motor running, customize your XMODS with optional upgrades for both performance and looks, available at your local **RadioShack** store. Check out the line-up of XMODS upgrades available online at www.RadioShack.com.

Your Starter Kit Includes



Car Body



Controller



Front Unit



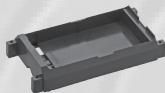
4WD Unit



Decal Sheet



Main Control Unit



9.6V Battery Box



Rear Unit



High Speed
Rear Unit

Screws (4)

Body pin (4)

Center Shaft

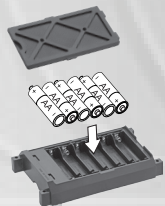
User's Guide

Installing Car Batteries

There are two ways to power your vehicle using either 6 AA batteries or a rechargeable Ni-MH battery (neither included)

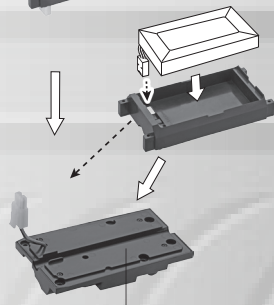
Using AA batteries (not included)

1. Make sure the power switch on the chassis is OFF.
2. Unlock the battery cover to open the battery box.
3. Insert 6 AA batteries in the box, matching the polarity symbols (+ and -) marked inside.
4. Replace the battery box cover and secure the latch.



Using a 9.6V Ni-MH battery (not included)

1. Use a Philips screwdriver to detach the front and rear units from the main control unit.
2. Remove the 6 silver colored screws on the main control unit. Unplug the white connectors and then carefully remove the AA battery box from the battery base.
3. Attach the 9.6V battery box on battery base and secure with the 6 screws.
4. Insert the 9.6 Ni-MH battery into the battery box and snap together the battery's receptacle connector with the battery base's two-prong plug. Make sure you fit the wires neatly and connectors securely the right way. Do not force the connectors as they only fit one way.



Battery base

5. Reassemble the front and rear unit to battery base according to "Assembling the Car Chassis on page 6.

Install the Controller Battery

Your controller needs a 9V battery (not included). We recommend 9V alkaline batteries for best performance. If the LED is off or the range of your car decreases, replace the battery.

1. Make sure the power switch is OFF, then remove the screw on the battery compartment.
2. Insert a 9V battery in the compartment, matching the polarity symbols (+ and -) marked inside.
3. Snap the cover back in place and replace the screw.



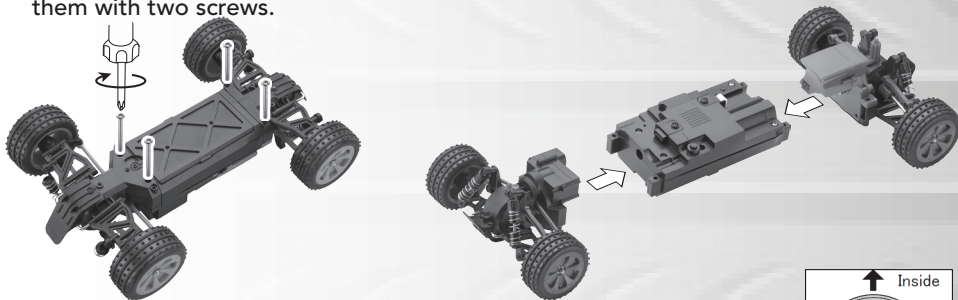
Battery Notes:

- For best performance when driving on rough terrain, use the 9.6V Ni-MH battery option to power your car.
- Dispose of old batteries promptly and properly. Do not burn or bury batteries.
- Use only fresh batteries of the required size and recommended type.
- Do not mix old and new batteries, different types of batteries (standard, alkaline, or rechargeable), or rechargeable batteries of different capacities.
- If you do not plan to use the vehicle for several days, remove the batteries. Batteries can leak chemicals that can destroy electronic parts.

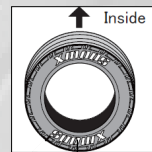
Assembling Your XMODS Custom RC

Assembling the Car Chassis

1. Connect the terminal of the front unit to the terminal of the battery unit, and secure them with two screws.
2. Connect the terminal of the rear unit to the terminal of the battery unit, and secure them with two screws.



Note: When updating your car with new rubber tires, to run smoothly make sure you fit the tires aligned with the XMODS logo facing on the outside.



XMODS logo

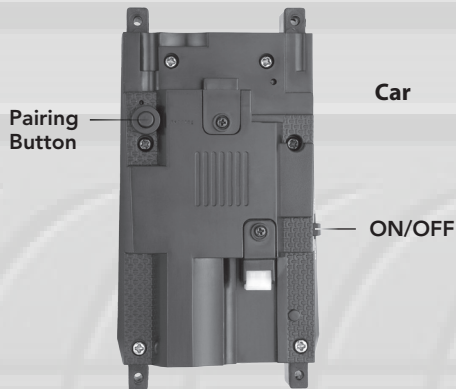
Pairing Your Controller and the Car

Your XMODS operates at a frequency of 2.4Ghz. Before driving for the first time, you must pair the controller and car. The pairing should be made before mounting the body.

1. Turn on the controller.
2. Turn on the car. The LED indicator on the controller flashes slowly.
3. Press and hold the car pairing button for 3 seconds; the LED flashes quickly. When the LED stops flashing, pairing is complete.

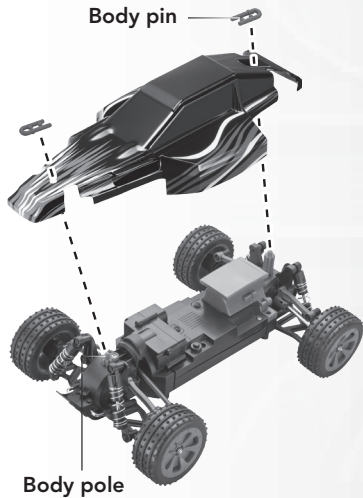
Note:

- Your car and controller remain paired for future use, even when batteries are removed from the controller or the car.
- If the pairing failed, turn off the controller and the car, move closer, and then try again.

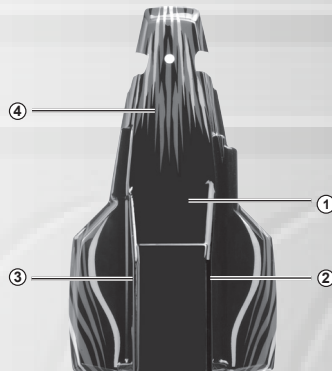
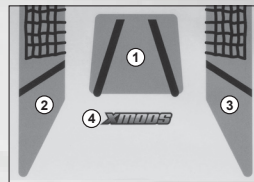


Mounting the Car Body on the Chassis

1. Fit the body on the 2 poles.
2. Fix the body on the chassis with the 2 body pins.



Recommended Decal Placement

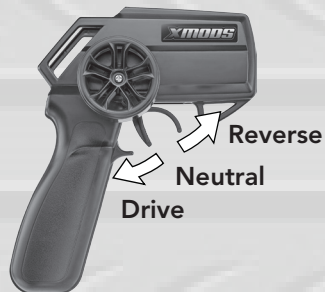


Driving Your Car and Adjusting Trim

After you turn on both controller and car, squeeze the trigger to move forward and push the trigger away from the handle to go in reverse.

If your car does not drive straight when you release the steering wheel, determine if the car steers too far right or left, and then adjust the trim:

1. Turn off the controller, and then push the controller trigger forward.
 2. Turn on the controller; the LED indicator on the controller flashes.
 3. Keep the trigger held forward and turn the wheel to the right or left to adjust the trim. If the car pulls to the right, turn the wheel to the left. If the car pulls to the left, turn the wheel to the right.
 4. Release the trigger; the LED indicator stops flashing and lights steadily.
- To avoid unintentionally adjusting the steering trim, do not operate the trigger or steering wheel when you turn on the controller.
 - To drive in reverse after braking, you may need to release the trigger to neutral briefly.



Note:

- Running your XMODS continuously for long periods can generate high heat levels. If the car overheats, its overheat protection will stop the car. In this case, switch the controller and the vehicle off and allow to cool down before resuming operation.
- If you stop operating either the controller or the vehicle for 10 minutes, the car enters sleep mode. To resume play, switch off both the controller and car, then turn on again.

When You Finish Driving

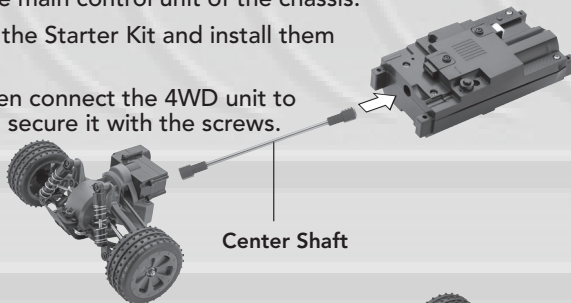
To conserve battery life, turn off the controller and car after you finish driving.

- Handle your XMODS car and controller carefully and do not drop them. Keep away from dust and dirt. Wipe your car and controller with a damp cloth occasionally to keep them looking new.
- Use and store only in normal temperature environments.

Xmods Upgrades

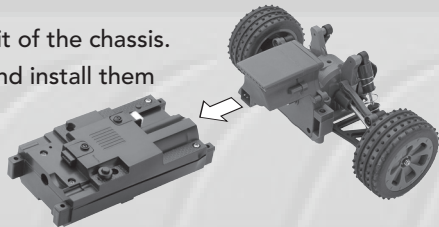
Installing the 4WD Unit

1. Remove the front unit from the main control unit of the chassis.
2. Remove the rubber tires from the Starter Kit and install them onto your new 4WD unit.
3. Insert the center shaft, and then connect the 4WD unit to the main control unit and then secure it with the screws.



Installing the Hi-Speed Rear Unit

1. Remove the rear unit from the main control unit of the chassis.
2. Remove the rubber tires from the Starter Kit and install them onto your new high-speed rear unit.
3. Connect the high-speed rear unit to the battery unit and then secure with the screws.



FCC Information

This equipment has been tested and found to comply with the limits for a Class B digital device, pursuant to Part 15 of the FCC Rules. These limits are designed to provide reasonable protection against harmful interference in a residential installation. This equipment generates, uses, and can radiate radio frequency energy and, if not installed and used in accordance with the instructions, may cause harmful interference to radio communications. However, there is no guarantee that interference will not occur in a particular installation. If this equipment does cause harmful interference to radio or television reception, which can be determined by turning the equipment off and on, the user is encouraged to try to correct the interference by one or more of the following measures:

- Reorient or relocate the receiving antenna.
- Increase the separation between the equipment and receiver.
- Connect the equipment into an outlet on a circuit different from that to which the receiver is connected.
- Consult your local **RadioShack** store or an experienced radio/TV technician for help.

If you cannot eliminate the interference, the FCC requires that you stop using your equipment. Changes or modifications not expressly approved by the party responsible for compliance could void the user's authority to operate the equipment.

This device complies with Part 15 of the FCC rules. Operation is subject to the following two conditions: (1) This device may not cause harmful interference, and (2) This device must accept any interference received, including interference that may cause undesired operation.

Limited Warranty

RadioShack warrants this product against defects in materials and workmanship under normal use by the original purchaser for **ninety (90) days** after the date of purchase from a **RadioShack**-owned store or an authorized **RadioShack** franchisee or dealer. **RADIOSHACK MAKES NO OTHER EXPRESS WARRANTIES.**

This warranty does not cover: (a) damage or failure caused by or attributable to abuse, misuse, failure to follow instructions, improper installation or maintenance, alteration, accident, Acts of God (such as floods

or lightning), or excess voltage or current; (b) damage or failure caused by loss of control, loss of signal between the toy and its controller due to excessive range or low power, impact, violent contact, collision or rough use; (c) improper or incorrectly performed repairs by persons who are not a **RadioShack** Authorized Service Facility; (d) consumables such as fuses or batteries; (e) ordinary wear and tear or cosmetic damage; (f) transportation, shipping or insurance costs; (g) costs of product removal, installation, set-up service, adjustment or reinstallation; and (h) claims by persons other than the original purchaser.

Should a problem occur that is covered by this warranty, take the product and the **RadioShack** sales receipt as proof of purchase date to any **RadioShack** store. **RadioShack** will, at its option, unless otherwise provided by law: (a) repair the product without charge for parts and labor; (b) replace the product with the same or a comparable product; or (c) refund the purchase price. All replaced parts and products, and products on which a refund is made, become the property of **RadioShack**. New or reconditioned parts and products may be used in the performance of warranty service. Repaired or replaced parts and products are warranted for the remainder of the original warranty period. You will be charged for repair or replacement of the product made after the expiration of the warranty period.

ALL IMPLIED WARRANTIES, INCLUDING THE IMPLIED WARRANTY OF MERCHANTABILITY AND, IF APPLICABLE, THE IMPLIED WARRANTY OF FITNESS FOR A PARTICULAR PURPOSE, SHALL EXPIRE ON THE EXPIRATION OF THE STATED WARRANTY PERIOD.

EXCEPT AS DESCRIBED ABOVE, **RADIOSHACK** SHALL HAVE NO LIABILITY OR RESPONSIBILITY TO THE PURCHASER OF THE PRODUCT OR ANY OTHER PERSON OR ENTITY WITH RESPECT TO ANY LIABILITY, LOSS OR DAMAGE CAUSED DIRECTLY OR INDIRECTLY BY USE OR PERFORMANCE OF THE PRODUCT OR ARISING OUT OF ANY BREACH OF THIS WARRANTY, INCLUDING, BUT NOT LIMITED TO, ANY DAMAGES RESULTING FROM INCONVENIENCE AND ANY LOSS OF TIME, DATA, PROPERTY, REVENUE, OR PROFIT AND ANY INDIRECT, SPECIAL, INCIDENTAL, OR CONSEQUENTIAL DAMAGES, EVEN IF **RADIOSHACK** HAS BEEN ADVISED OF THE POSSIBILITY OF SUCH DAMAGES.

Some states do not allow limitations on how long an implied warranty lasts or the exclusion or limitation of incidental or consequential damages, so the above limitations or exclusions may not apply to you. This warranty gives you specific legal rights, and you may also have other rights which vary from state to state.

You may contact **RadioShack** at:

RadioShack Customer Relations
300 RadioShack Circle
Fort Worth, TX 76102

04/08

www.RadioShack.com

RoHS Complies with the European Union's "Restriction of Hazardous Substances Directive,"
C O M P L I A N T which protects the environment by restricting specific hazardous materials and
products.

XMODS is a trademark used by **RadioShack** Corporation.

©2013. **RadioShack** Corporation. All rights reserved.
RadioShack is a registered trademark used by **RadioShack** Corporation.

08A13
6000938
Printed in China