



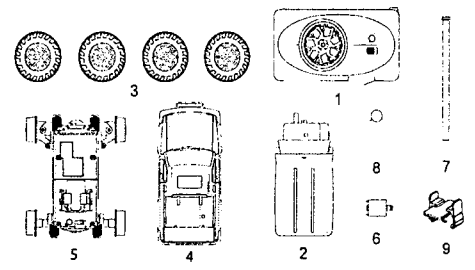
Fast Lane Supersticks 1:43 scale mini RC gives you the portability of a micro RC, but with greater speed, more realistic details, and awesome performance.

Los mini automóviles Supersticks rápidos en escala 1:43 con radiocontrol ofrecen la portabilidad de un micro automóvil con radiocontrol pero con mayor velocidad, detalles más realistas y un rendimiento excepcional!

La mini-voiture télécommandée Fast Lane Supersticks à échelle 1:43 offre la portabilité d'une microvoiture télécommandée, mais avec une plus grande vitesse, des détails plus réalistes et une performance incroyable!

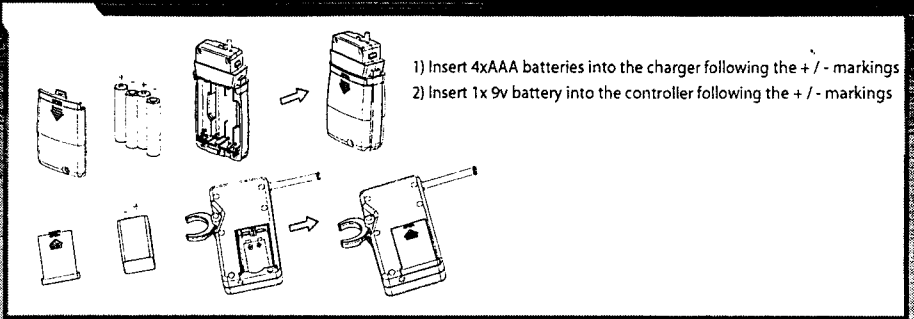


8+

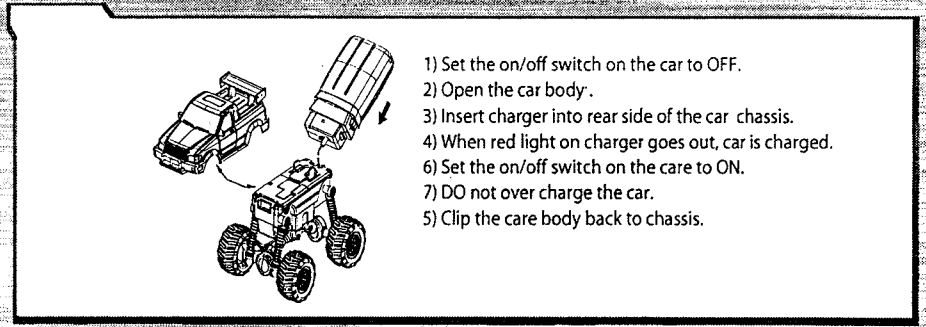


Included:

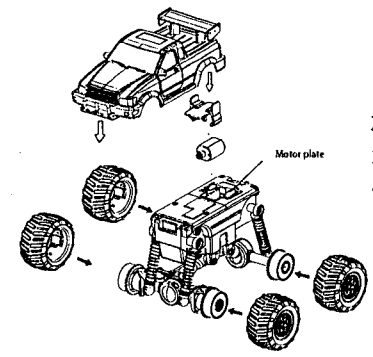
- 1. Controller
- 2. Charger
- 3. Tires
- 4. Car Body
- 5. Chassis
- 6. Motor with Pin Gear
- 7. Antenna
- 8. Control Trigger
- 9. Motor Clip



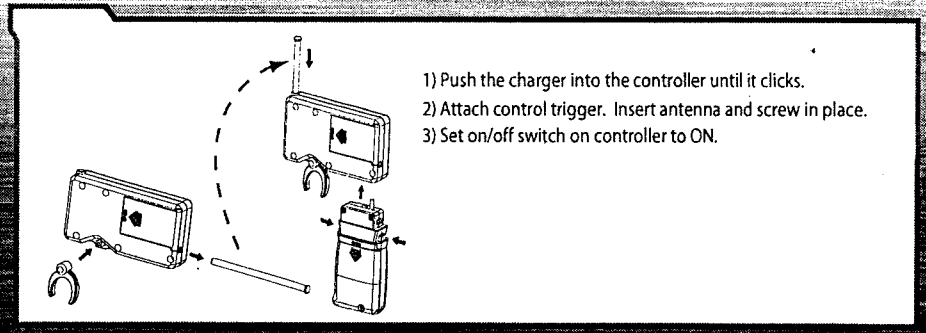
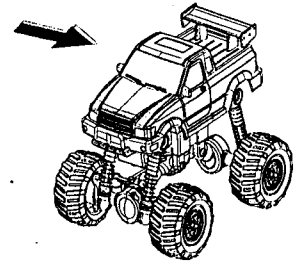
- 1) Insert 4xAAA batteries into the charger following the +/- markings
- 2) Insert 1x 9V battery into the controller following the +/- markings



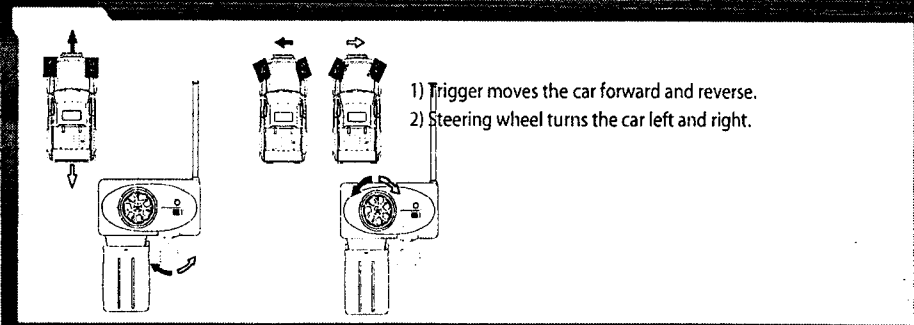
- 1) Set the on/off switch on the car to OFF.
- 2) Open the car body.
- 3) Insert charger into rear side of the car chassis.
- 4) When red light on charger goes out, car is charged.
- 5) Set the on/off switch on the car to ON.
- 6) DO not over charge the car.
- 7) Clip the car body back to chassis.



- 1) Attach tires on each shaft.
- 2) Insert motor into the chassis as shown.
- 3) Press the motor clip on the top of the motor.
- 4) Clip the car body onto chassis.

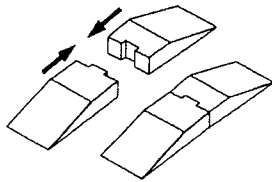


- 1) Push the charger into the controller until it clicks.
- 2) Attach control trigger. Insert antenna and screw in place.
- 3) Set on/off switch on controller to ON.



- 1) Trigger moves the car forward and reverse.
- 2) Steering wheel turns the car left and right.

Copy to Lab (OK)



Clip the outside of the pack together to make a jumping ramp.

For more information check out WWW.SUPERSLICKS.COM

Helpful Hints :

If the car's motor does not respond to the transmitter move closer to the vehicle and try again. If someone uses a CB nearby, it might interfere with control of the car. If this happens, move the car and transmitter away from the CB. You cannot operate your car near devices with transmitters that use the same frequency (27Mhz or 49Mhz). Check the packing to see which frequency your car uses. If the car moves slowly, recharge the battery and check the wheel mechanisms for lint, thread, hair or dust. If the car is not operating correctly, try changing the batteries. Remember the 9V battery in the controller will last longer than the 4xAAA in the charger. When the transmitter range decreases, replace the battery in the controller.

CARE :

The following suggestions will help you care for your vehicles so you can enjoy it for years:

- 1) Never drive the vehicle on a wet floor, on sand or in the mud, rain, or snow. These can damage it.
- 2) Do not expose the vehicle to extreme temperatures.
- 3) To protect the vehicle's wheel mechanisms from lint and hair, do not drive it on carpet.
- 4) Modifying or tampering with the vehicle or the transmitter's internal components can cause a malfunction and void your FCC authorization to operate them.

BATTERY PACK CARE/CAUTIONS:

If you do not plan to use the car for several days, remove the batteries from the transmitter and charger. Do not mix old and new batteries. Do not mix alkaline, standard (carbon zinc), or rechargeable (nickel-cadmium) or Ni-MH batteries. Dispose of old batteries promptly and properly; do not bury or burn them. Insert batteries with the correct polarity. Keep the package and owner's manual since it contains important information. Never play with your vehicle in the street.

THE FCC WANTS YOU TO KNOW:

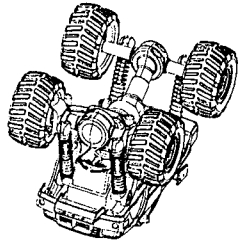
Your vehicle or transmitter might cause TV or radio interference even when it is operating properly. To determine whether your vehicle or transmitter is causing the interference, turn off your vehicle and release the transmitter's control levels. If the interference goes away, your vehicle or transmitter is the cause.

This device complies with Part 15 of the FCC Rules. Operation is subject to the following two conditions:

- (1) this device may not cause harmful interference, and
- (2) this device must accept any interference received, including interference that may be caused by undesired operation.

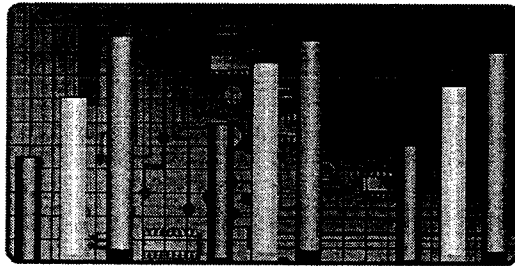
Warning :

Changes or modifications to this unit not expressly approved by the party responsible for compliance could void the user's authority to operate the equipment.

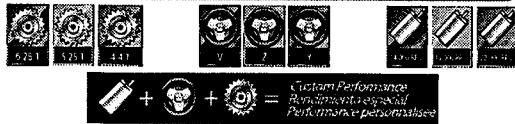


Steering Wheel Alignment

- 1) Use the lever under the chassis to align the steering.
- 2) If your car is driving to the left, move the lever to the right until corrected.
- 3) If your car is driving right, move the lever to the left.



Tune your car with additional motors, gears, and tires available separately with different body tops and wheel hubs also available separately.



www.toysrus.com

www.superslicks.com

Full Line of toys and more! At Toys 'R Us, Canada, we have the toys you need for your child's next adventure. We have the toys you need for your child's next adventure. We have the toys you need for your child's next adventure. We have the toys you need for your child's next adventure.