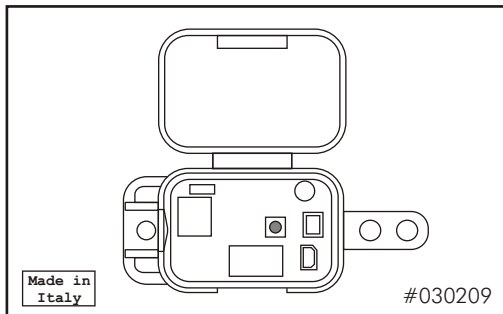


SENTRY GARAGE DOOR RECEIVER

Use and installation manual



Thank you for choosing this product .
You are recommended to read this manual carefully before installing this product.

1 - INTRODUCTION

The SENTRY Garage Door Receiver (#030209) is single conversion superheterodyne receiver operating at 433,92 MHz in AM/ASK modulation.

It is designed for automatic closing systems and anti-burglar systems.

The antenna is direct connected with 6,5" wire .

The relay K1 available output is only with NO type contact

The operating mode of K1 is Pulse and or Latch (see below for its configuration).

The power supply is 9 Vdc provided by its own 9 Vdc / 300 mA external power supply.

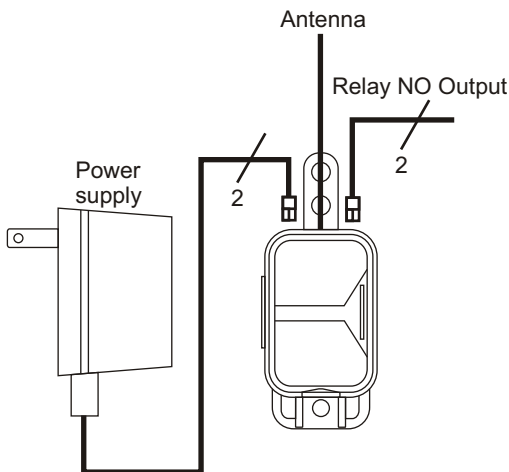
The IP grade of 2X allows only indoor installations.

The product fully complies with the EMC European Regulations (CE) and the FCC Part 15 Regulations.

2 - TECHNICAL SPECIFICATIONS



Receiver type	Superheterodyne
Carrier Frequency	433.92 MHz
Local oscillation frequency	6.6128 MHz
Demodulation	AM/ASK
Local oscillator type	VCO / PLL
Channel width	> 25 KHz
Intermediate frequency	10.7 MHz
Input sensitivity	-115 dBm
Spurious emissions	< -57 dBm
Input load	50 Ohm
Operating voltage	9 Vdc
Max power on relay contacts	24 VA
Relay number	1
Operating modes	Pulse / Latch
Max activation delay	300 mS
Memory	100 TX
Security protocol	Fixed Code
Code combinations	3 ⁿ
Operating temperature	-4°/+158°F
Enclosure IP grade	IP2X
Dimensions (main box)	1.57 x 0.9 x 2.2 in

3 - WIRINGS



4 - OPERATING MODES

The operating mode can be Pulse or Latch according the following diagram.

-  **LD STEADY ON : PULSE Mode**
-  **LD BLINKING : LATCH Mode**

LD gives the operating mode. To display the current operating mode push P1 for 4 sec

5 - OPERATING MODE SETTING

Procedure

1) Press and hold the push-button P1 for 4 sec. until the green led LD comes ON (Fig. 3); the led display the current operating mode according to par. 4.

To modify push again P1 and release it within 1 sec.: once released P1:

- from steady ON it will begin to blink (Latch mode);
- from blinking it will come steady ON (Pulse mode).

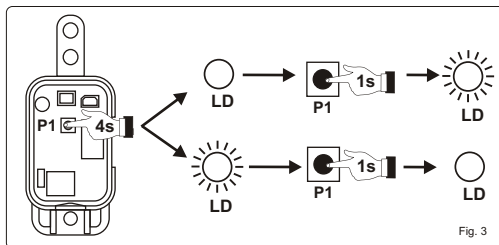


Fig. 3

6 - PROGRAMMING TRANSMITTER AND RECEIVER

Procedure

- 1) Press and hold the push-button P1 for 4 sec. until the green led LD comes ON (Fig. 4); the led display the current operating mode according to par. 4.
- 2) Press the transmitter button down : LD switches OFF and ON again, waiting for another tx to memorize;
- 3) If within 10 sec. no more transmitters are activated, LD switches OFF and the procedure is over.

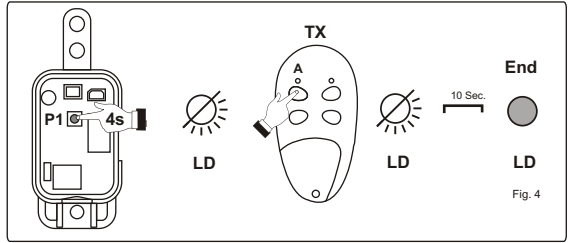


Fig. 4

7 - MEMORY FULL

If the memory is full when you try to memorize one more transmitter LD flashes 3 times and the procedure ends.

8 - ERASING TRANSMITTERS FROM THE MEMORY

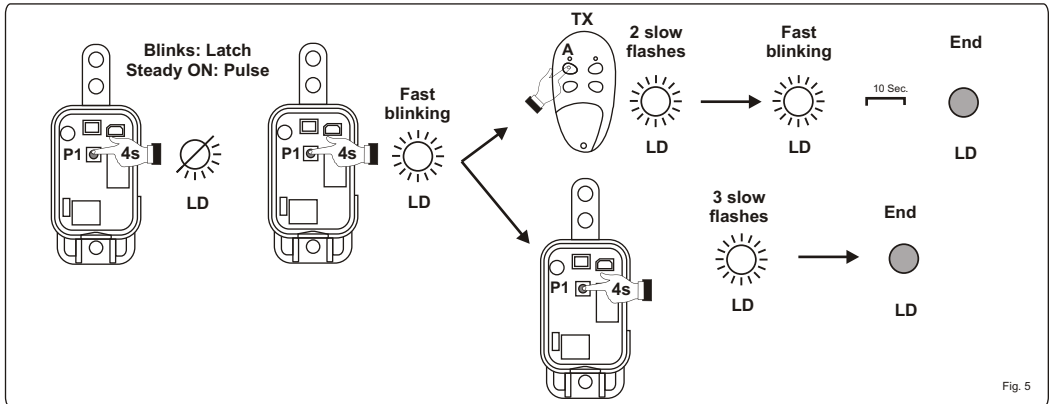


Fig. 5

Procedure

- 1) Press and hold the push-button P1 for 4 sec. until the green led LD comes ON (Fig. 5); the led display the current operating mode according to par. 4.
- 2) Press and hold P1 for more 4 sec. : LD begins to blink fast.
At this point you can do 2 different operations:

A) DELETE THE SINGLE TRANSMITTER

Press the button down of the transmitter to delete. LD flashes twice slow and then begins again to blink fast for more tx to delete. If within 10 sec. no more transmitters are activated, LD switches OFF and the procedure is over.

B) ERASE ALL THE MEMORY

Press and hold P1 for more 4 sec. : LD makes 3 slow flashes then switches off and the procedure ends.

WARRANTY

USAutomatic, LTD warrants this product to be free of defects in materials and workmanship for 2 YEAR. For a period of 2 YEAR following purchase USAutomatic, LTD. will repair or replace the product free of charge, including parts, shop labor and return shipping and handling.

This 2 YEAR warranty does not cover the plastic case from normal wear or damage due to misuse of the receiver or transformer. Modifications to the supplied transformer will void the warranty.

To have the product sent for warranty consideration, it must be returned with the proof of purchase and a return authorization number. To obtain a return authorization number please visit www.sentrygateopener.com or call 1-888-711-0001 for assistance.

The return authorization number must be clearly marked on the outside of the return package or it may not be accepted.

This device complies with Part. 15 of the FCC Rules . Operation is subject to the following two conditions:

- (1) This device may not cause harmful interference, and
- (2) this device must accept interference received, including interference that may cause undesired operation.

Changes or modifications not expressly approved by the party responsible for compliance could void the user's authority to operate the equipment.

FCC ID : PWJGDR



USAutomatic LTD

118 Hillside Drive

Lewisville, TX 75057

1-866-711-0001

www.sentrygateopener.com