

## CDW-47W3155-00

## DATASHEET

## Software:

客 户 Customer	客户承认 Approve (请盖印章)	日期 Date

拟制 Design	审核 Check	批准 Approve	版本 Version	日期 Date
			V1.0	2021.06.04

深圳市中龙通电子科技有限公司  
CHINA DRAGON TECHNOLOGY LIMITED

公司地址：深圳市宝安区沙井街道南浦路林坡坑蚝三第一工业园 B4 栋

电话：(86 755) 81449957

传真：(86 755) 81449967

E-mail: Info@cdtech.cn

Http://www.cdtech.cn

更改记录:

Reversion History:

版本 Version	日期 Date	更改内容 Modification
1.0	2021.06.04	First release

## 1. Overview

The 47W3155-00 module is a single-die wireless local area network (WLAN) and Bluetooth (BT) combination solution to support 1 × 1 IEEE 802.11a/b/g/n/ac WLAN standards and BT 5.0 + HS, enabling seamless integration of WLAN/BT and low-energy technology.

## 2. Features

- Supports a low-power SDIO 3.0 interface for WLAN and a UART/PCM interface for BT
- Provides a highly integrated WLAN system-on-chip (SoC) for 5 GHz 802.11ac, or 2.4 GHz/5 GHz 802.11n WLAN applications
- Support WLAN 2.4GHz and 5GHz band channels
- Supports BT 4.2 + HS, BLE, and ANT+ and backward compatibility with BT 1.x and BT 2.x+ Enhanced Data Rate
- Supports a single-ended RF port for cleaner and lower cost design
- Supports 20 MHz/40 MHz at 2.4 GHz and supports 20 MHz, 40 MHz, or 80 MHz at 5 GHz

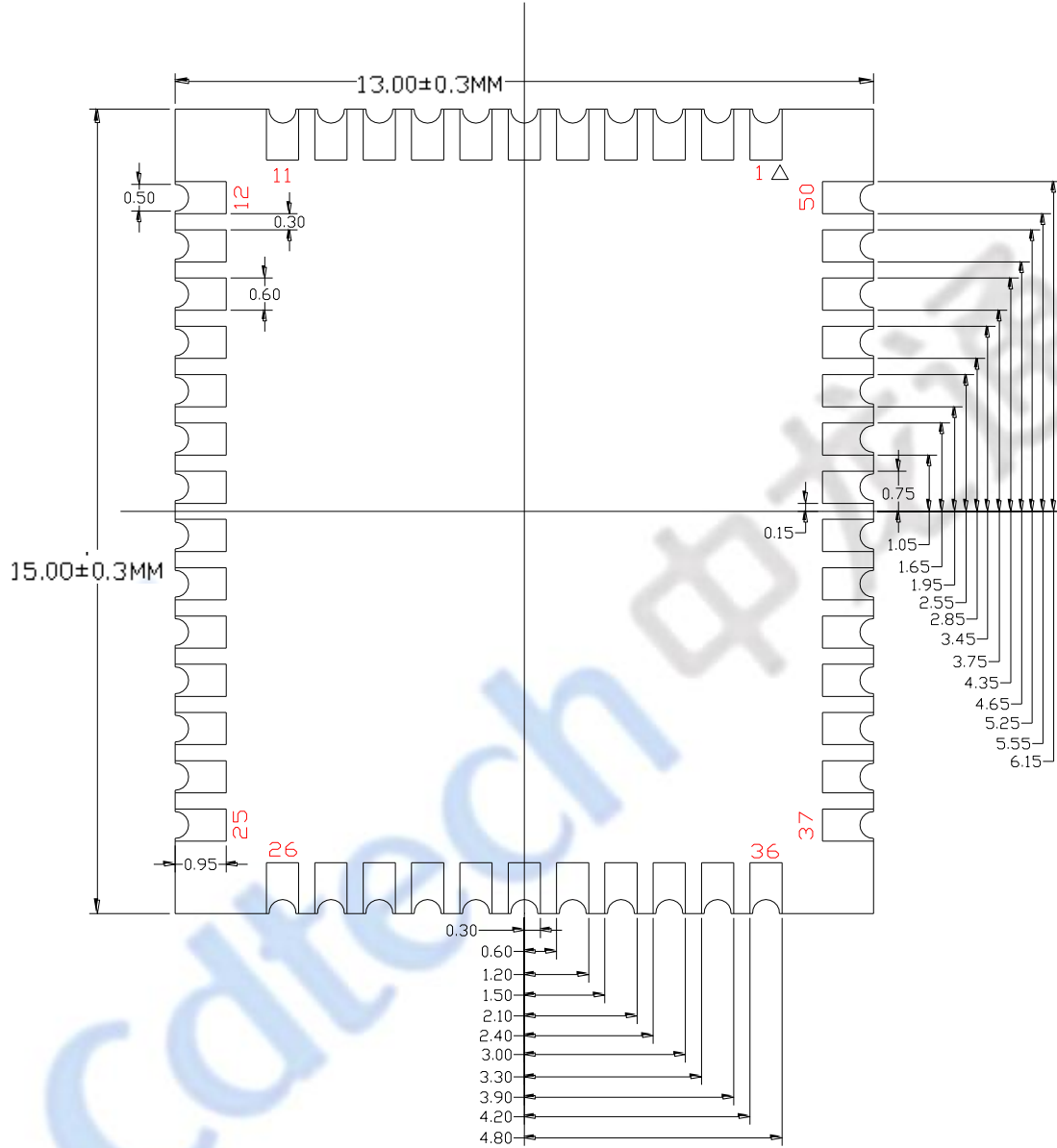
### 3. General Specification

Model	CDW.47W3155-00
Product Name	WLAN 11a/b/g/n/ac SDIO3.0 1T1R + Bluetooth 5.0 module
Major Chipset	W155S1
Standard	802.11a/b/g/n/ac
Modulation Method	BPSK/ QPSK/ 16-QAM/ 64-QAM/256-QAM
Frequency Band	2.4GHz and 5GHz ISM Band
WiFi Interface	SDIO3.0
BT Interface	UART/PCM
Operating Temperature	-20 °C ~ 70 °C
Storage Temperature	-20 °C ~ 125 °C
Humidity	5% to 90% maximum
Dimension	15x13x1.9 (LxWxH) ±0.3mm

### 4. Electrical Characteristics

symbol	Parameter	Minimum	Typical	Maximum	Units
VCC	3.3V supply voltage	3.0	3.3	3.6	V
VDDIO	I/O supply voltage	1.71	1.8 or 3.3	3.6	V
VCC	3.3V rating current	--	--	1000	mA

### 5. Footprint Dimension



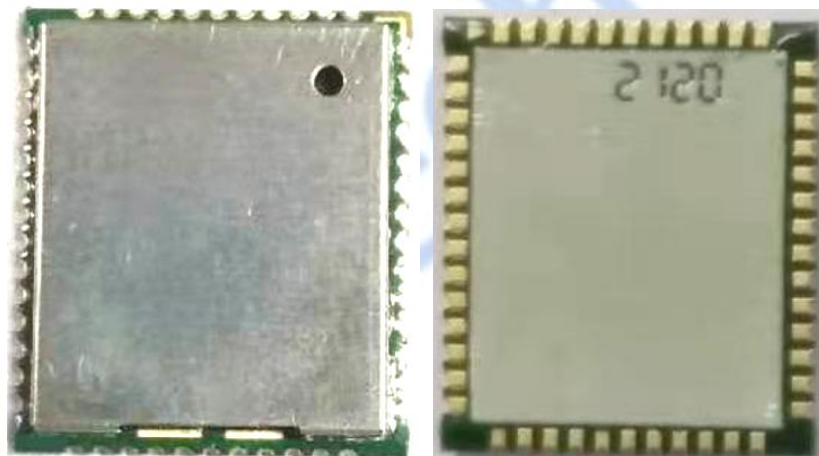
NO.	Name	Type	Description
1	GND	—	Ground connections
2	ANT0	I/O	BT_RF I/O port (default)
3	GND	—	Ground connections
4	GND	—	Ground connections
5	GND	—	Ground connections
6	GND	—	Ground connections
7	GND	—	Ground connections
8	GND	—	Ground connections
9	ANT1	I/O	2.4/5G WL_RF I/O port
10	GND	—	Ground connections
11	GND	—	Ground connections
12	ANT2	I/O	No connect ( <b>Reserved for BT RF</b> )
13	GND	—	Ground connections
14	NC	—	No connect
15	CHP_EN	I	Chip enable,activ high
16	WL_WAKE_HOST	I/O	WiFi_Wake_Host
17	SDIO_CMD	I/O	SDIO command line
18	SDIO_CLK	I/O	SDIO CLK
19	SDIO_DATA_3	I/O	SDIO DATA3
20	SDIO_DATA_2	I/O	SDIO DATA2
21	SDIO_DATA_0	I/O	SDIO DATA0
22	SDIO_DATA_1	I/O	SDIO DATA1
23	GND	—	Ground connections
24	NC	—	No connect
25	NC	—	No connect
26	NC	—	No connect
27	PCM_SYNC	I/O	PCM sync signal

28	PCM_IN	I	PCM DATA INPUT
29	PCM_OUT	O	PCM DATA OUTPUT
30	PCM_CLK	I/O	PCM CLK
31	LPO	I	32.768KHz input
32	GND	—	Ground connections
33	NC	—	No connect
34	VDDIO	P	I/O Voltage supply input 1.8V
35	NC	—	No connect
36	VCC	P	3.3V INPUT
37	NC	—	No connect
38	NC	—	No connect
39	GND	—	Ground connections
40	UART_TXD	O	Bluetooth UART interface
41	UART_RXD	I	Bluetooth UART interface
42	UART_RTS_N	O	Bluetooth UART interface
43	UART_CTS_N	I	Bluetooth UART interface
44	NC	—	No connect
45	NC	—	No connect
46	GND	—	Ground connections
47	ANT_SEL	—	MUX Uart BT Print Out
48	GND	—	Ground connections
49	HOST_WAKE_BT	I	Host wake-up BT device
50	BT_WAKE_HOST	O	BT device to wake-up host(MUX Uart WF Print Out)

## 6. Supplier

Secondary supplier list	
Material name	Supplier brand
WIFI IC	Amlogic
Crystal	FK , TKD, JWT
PCBA	A, O, I
Diplexer	TDK, ACX, Walsin, GLEAD, Sunlord
Power inductance	Sunlord, CHILISIN, SAMWHA
Capacitance	SAMSUNG /EYANG
resistance	UniOhm /YAGEO

## 7. Module Photo



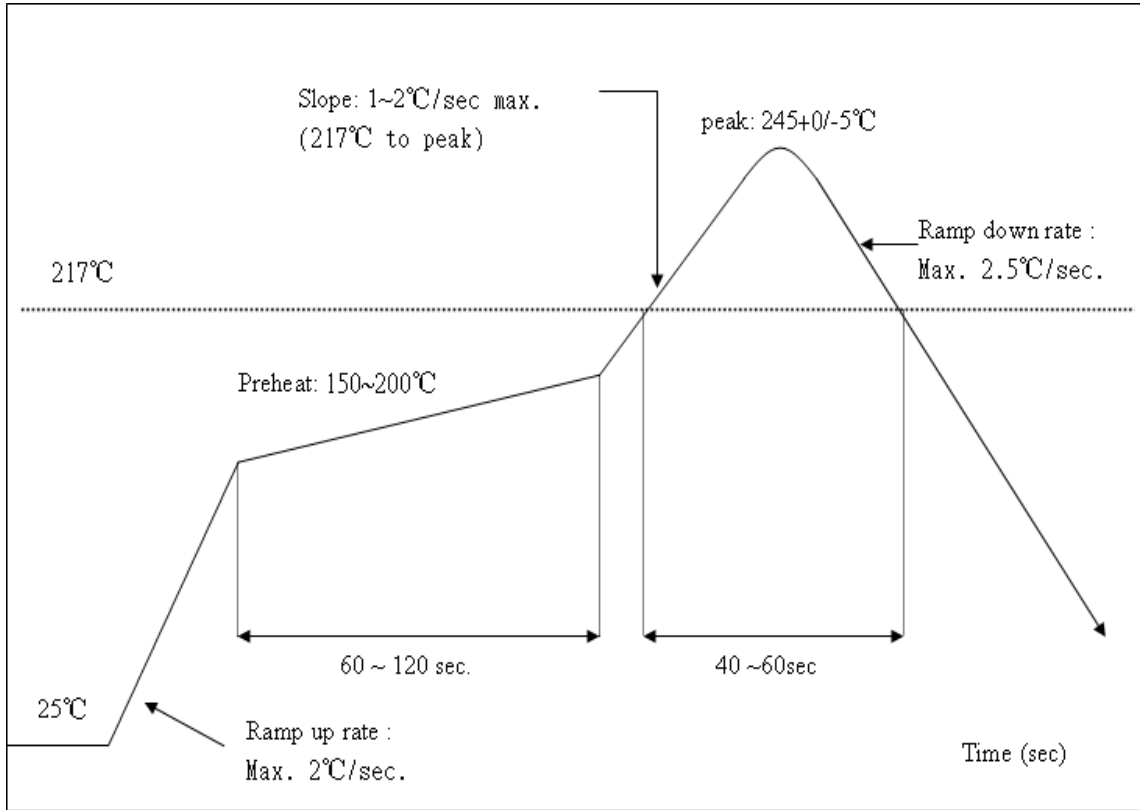


## 8. Recommended Reflow Profile

Referred IPC/JEDEC standard.

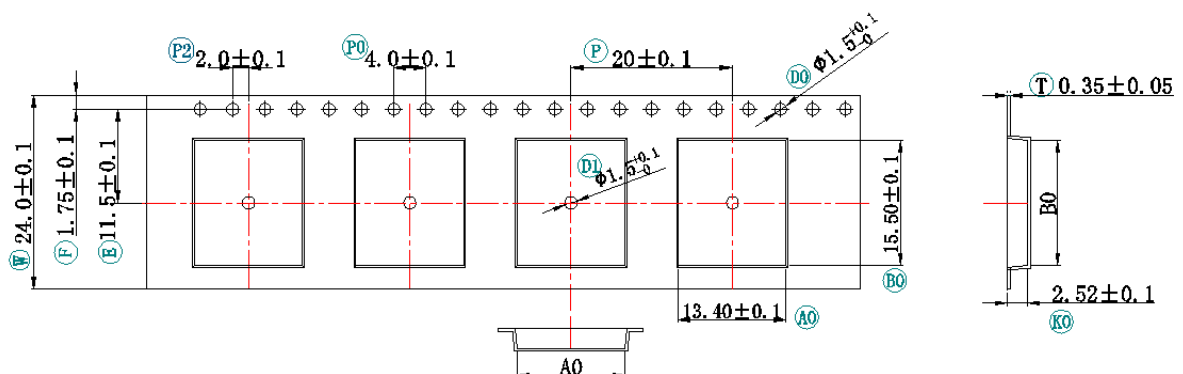
Peak Temperature : <math> < 250^{\circ}\text{C}</math>

Number of Times : 2 times

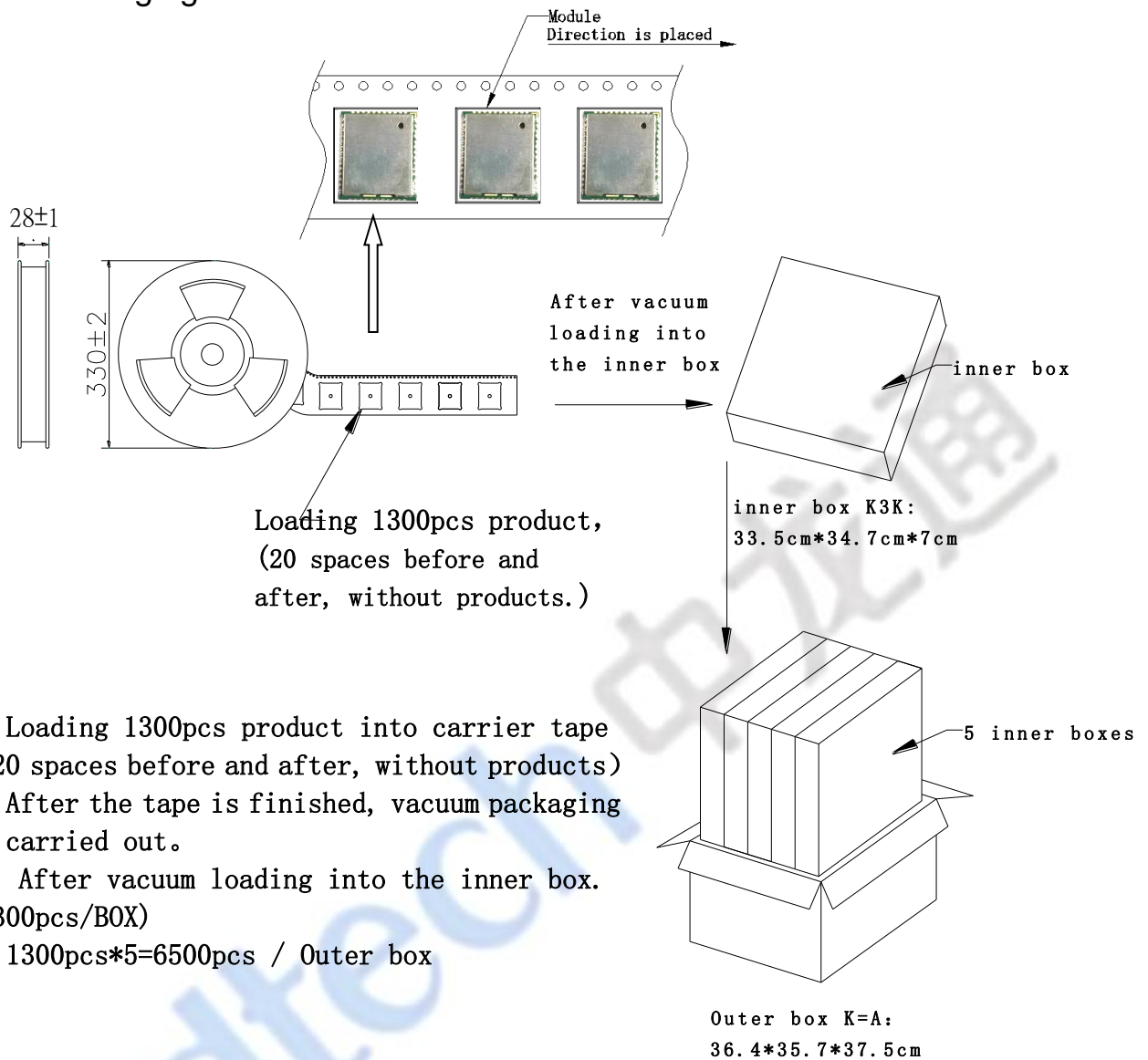


## 9. Packing information

### 9.1 Carrier size Detail:



9.2 Packaging Detail:



- 1、 Loading 1300pcs product into carrier tape (20 spaces before and after, without products)
- 2、 After the tape is finished, vacuum packaging is carried out.
- 3、 After vacuum loading into the inner box. (1300pcs/BOX)
- 4、 1300pcs\*5=6500pcs / Outer box



**ESD CAUTION**

The 47W3155-00 module is ESD (electrostatic discharge) sensitive device and may be damaged with ESD or spike voltage. Although 47W3155-00 module is with built-in ESD protection circuitry, please handle with care to avoid the permanent malfunction or the performance degradation.

**FCC WARNING**

FCC Caution: Any changes or modifications not expressly approved by the party responsible for compliance could void the user's authority to operate this equipment.

This device complies with Part 15 of the FCC Rules. Operation is subject to the following two conditions:

(1) This device may not cause harmful interference, and (2) this device must accept any interference received, including interference that may cause undesired operation.

This device and its antenna(s) must not be co-located or operating in conjunction with any other antenna or transmitter.

15.105 Information to the user.

(b) For a Class B digital device or peripheral, the instructions furnished the user shall include the following or similar statement, placed in a prominent location in the text of the manual:

Note: This equipment has been tested and found to comply with the limits for a Class B digital device, pursuant to part 15 of the FCC Rules.

These limits are designed to provide reasonable protection against harmful interference in a residential installation. This equipment generates, uses and can radiate radio frequency energy and, if not installed and used in accordance with the instructions, may cause harmful interference to radio communications. However, there is no guarantee that interference will not occur in a particular installation. If this equipment does cause harmful interference to radio or television reception, which can be determined by turning the equipment off and on, the user is encouraged to try to correct the interference by one or more of the following measures:

- Reorient or relocate the receiving antenna.
- Increase the separation between the equipment and receiver.
- Connect the equipment into an outlet on a circuit different from that to which the receiver is connected.
- Consult the dealer or an experienced radio/TV technician for help.

This equipment complies with FCC radiation exposure limits set forth for an uncontrolled environment. This equipment should be installed and operated with minimum distance 20 cm between the radiator and your body.

Radiation Exposure Statement:

This equipment complies with FCC radiation exposure limits set forth for an uncontrolled environment.

This transmitter must not be co-located or operating in conjunction with any other antenna or transmitter.

The availability of some specific channels and/or operational frequency bands are country dependent and are firmware programmed at the factory to match the intended destination.

The firmware setting is not accessible by the end user.

The final end product must be labelled in a visible area with the following:

“Contains Transmitter Module ROW-CDW47W3155

## Requirement per KDB996369 D03

### 2.2 List of applicable FCC rules

List the FCC rules that are applicable to the modular transmitter. These are the rules that specifically establish the bands of operation, the power, spurious emissions, and operating fundamental frequencies. DO NOT list compliance to unintentional-radiator rules (Part 15 Subpart B) since that is not a condition of a module grant that is extended to a host manufacturer. See also Section 2.10 below concerning the need to notify host manufacturers that further testing is required.

**Explanation:** This module meets the requirements of FCC part 15C(15.247).it specifically establish the 6dB Bandwidth,, Peak Output Power, Radiated Spurious Emission, Power Spectral Density, Restricted Band of Operation and Band Edge (Out of Band Emissions) &Measurement, This module meets the requirements of FCC part 15E(15.407).it specifically establish the 6dB Bandwidth, 26 dB and 99% Emission Bandwidth, Peak Output Power, Radiated Spurious Emission, Power Spectral Density, Restricted Band of Operation and Band Edge (Out of Band Emissions) , Frequency Stability Measurement

### 2.3 Summarize the specific operational use conditions

Describe use conditions that are applicable to the modular transmitter, including for example any limits on antennas, etc. For example, if point-to-point antennas are used that require reduction in power or compensation for cable loss, then this information must be in the instructions. If the use condition limitations extend to professional users, then instructions must state that this information also extends to the host manufacturer's instruction manual. In addition, certain information may also be needed, such as peak gain per frequency band and minimum gain, specifically for master devices in 5 GHz DFS bands.

**Explanation:** The EUT has two external antenna, Antenna A support BT, Antenna B support 2.4GHz WIFI & 5GHz WIFI, Yes, the module have a permanently attached antenna, The antenna gain is 2dBi.

### 2.4 Limited module procedures

If a modular transmitter is approved as a "limited module," then the module manufacturer is responsible for approving the host environment that the limited module is used with. The manufacturer of a limited module must describe, both in the filing and in the installation instructions, the alternative means that the limited module manufacturer uses to verify that the host meets the necessary requirements to satisfy the module limiting conditions.

A limited module manufacturer has the flexibility to define its alternative method to address the conditions that limit the initial approval, such as: shielding, minimum signaling amplitude, buffered modulation/data inputs, or power supply regulation. The alternative method could include that the limited module manufacturer reviews detailed test data or host designs prior to giving the host manufacturer approval.

This limited module procedure is also applicable for RF exposure evaluation when it is necessary to demonstrate compliance in a specific host. The module manufacturer must state how control of the product into which the modular transmitter will be installed will be maintained such that full compliance of the product is always ensured. For additional hosts other than the specific host

originally granted with a limited module, a Class II permissive change is required on the module grant to register the additional host as a specific host also approved with the module.

**Explanation:** The module is a Limited Single Modular.

### 2.5 Trace antenna designs

For a modular transmitter with trace antenna designs, see the guidance in Question 11 of KDB Publication 996369 D02 FAQ – Modules for Micro-Strip Antennas and traces. The integration information shall include for the TCB review the integration instructions for the following aspects: layout of trace design, parts list (BOM), antenna, connectors, and isolation requirements.

- a) Information that includes permitted variances (e.g., trace boundary limits, thickness, length, width, shape(s), dielectric constant, and impedance as applicable for each type of antenna);
- b) Each design shall be considered a different type (e.g., antenna length in multiple(s) of frequency, the wavelength, and antenna shape (traces in phase) can affect antenna gain and must be considered);
- c) The parameters shall be provided in a manner permitting host manufacturers to design the printed circuit (PC) board layout;
- d) Appropriate parts by manufacturer and specifications;
- e) Test procedures for design verification; and
- f) Production test procedures for ensuring compliance.

The module grantee shall provide a notice that any deviation(s) from the defined parameters of the antenna trace, as described by the instructions, require that the host product manufacturer must notify the module grantee that they wish to change the antenna trace design. In this case, a Class II permissive change application is required to be filed by the grantee, or the host manufacturer can take responsibility through the change in FCC ID (new application) procedure followed by a Class II permissive change application.

**Explanation:** Yes, The module with trace antenna designs, and This manual has been shown the layout of trace design,, antenna, connectors, and isolation requirements.

### 2.6 RF exposure considerations

It is essential for module grantees to clearly and explicitly state the RF exposure conditions that permit a host product manufacturer to use the module. Two types of instructions are required for RF exposure information: (1) to the host product manufacturer, to define the application conditions (mobile, portable – xx cm from a person's body); and (2) additional text needed for the host product manufacturer to provide to end users in their end-product manuals. If RF exposure statements and use conditions are not provided, then the host product manufacturer is required to take responsibility of the module through a change in FCC ID (new application).

**Explanation:** This module complies with FCC RF radiation exposure limits set forth for an uncontrolled environment, This equipment should be installed and operated with a minimum distance of 20 centimeters between the radiator and your body." This module is designed to comply with the FCC statement, FCC ID is: ROW-CDW47W3155

## 2.7 Antennas

A list of antennas included in the application for certification must be provided in the instructions. For modular transmitters approved as limited modules, all applicable professional installer instructions must be included as part of the information to the host product manufacturer. The antenna list shall also identify the antenna types (monopole, PIFA, dipole, etc. (note that for example an “omni-directional antenna” is not considered to be a specific “antenna type”)).

For situations where the host product manufacturer is responsible for an external connector, for example with an RF pin and antenna trace design, the integration instructions shall inform the installer that unique antenna connector must be used on the Part 15 authorized transmitters used in the host product. The module manufacturers shall provide a list of acceptable unique connectors.

**Explanation:** The EUT has two external antenna, Yes, the module have a permanently attached antenna, The antenna gain is 2dBi.

## 2.8 Label and compliance information

Grantees are responsible for the continued compliance of their modules to the FCC rules. This includes advising host product manufacturers that they need to provide a physical or e-label stating “Contains FCC ID” with their finished product. See Guidelines for Labeling and User Information for RF Devices – KDB Publication 784748.

**Explanation:** The host system using this module, should have label in a visible area indicated the following texts: "Contains FCC ID: ROW-CDW47W3155

## 2.9 Information on test modes and additional testing requirements

Additional guidance for testing host products is given in KDB Publication 996369 D04 Module Integration Guide. Test modes should take into consideration different operational conditions for a stand-alone modular transmitter in a host, as well as for multiple simultaneously transmitting modules or other transmitters in a host product.

The grantee should provide information on how to configure test modes for host product evaluation for different operational conditions for a stand-alone modular transmitter in a host, versus with multiple, simultaneously transmitting modules or other transmitters in a host.

Grantees can increase the utility of their modular transmitters by providing special means, modes, or instructions that simulates or characterizes a connection by enabling a transmitter. This can greatly simplify a host manufacturer’s determination that a module as installed in a host complies with FCC requirements.

**Explanation:** WiFiRanger, A LinOra Company can increase the utility of our modular transmitters by providing instructions that simulates or characterizes a connection by enabling a transmitter.

## 2.10 Additional testing, Part 15 Subpart B disclaimer

The grantee should include a statement that the modular transmitter is only FCC authorized for the specific rule parts (i.e., FCC transmitter rules) listed on the grant, and that the host product manufacturer is responsible for compliance to any other FCC rules that apply to the host not covered by the modular transmitter grant of certification. If the grantee markets their product as being Part 15

Subpart B compliant (when it also contains unintentional-radiator digital circuitry), then the grantee

shall provide a notice stating that the final host product still requires Part 15 Subpart B compliance testing with the modular transmitter installed.

**Explanation:** The module without unintentional-radiator digital circuitry, so the module does not require an evaluation by FCC Part 15 Subpart B. The host should be evaluated by the FCC Subpart B.

Cdtech 中龙通