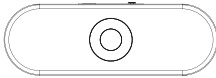


T 1 Bluetooth Speaker

PACKAGE CONTENTS

1. The Quake Bluetooth Speaker
2. User's Manual
3. USB cable
4. Audio cable



CHARGING THE SPEAKER:

Before using the speaker for the first time, charge it for at least 24 hours.

1. Plug the USB cable into the port on the speaker, plug the other end into the USB port on the computer.
2. Red LED will turn on to indicate that the unit is charging.
3. Red LED will turn off when fully charged.

PAIRING THE DEVICE

1. Place the speaker near the Bluetooth-enabled device.
2. Slide the ON/OFF button to ON, The blue LED will flash 3 times slowly then flash quickly, The speaker is now in pairing mode.
3. Follow the instructions of your device to search for the speaker.
4. The speaker is called " XXXX "; enter the PIN "0000" if needed
5. The blue LED will flash slowly when pairing is complete.

BASIC INSTRUCTIONS

To turn the speaker on, slide the ON/OFF button to ON. The Speaker will emit a beep and a blue LED will flash slowly.

The blue LED will slow flash when playing music.

To turn the speaker off, slide the ON/OFF button to OFF.

LED INDICATOR

Charging: Red LED on

Fully Charged: Red LED off

Pairing Mode: Blue LED will flash quickly

Connected: Blue LED will flash slowly

Playing: Blue LED will remain on

Line in: Blue LED off

SAFETY AND GENERAL INFORMATION

Do not expose the device to water or attempt to disassemble the device. If the device is exposed to water or disassembled, the user may be risking an electric short.

Handle this product with care, without proper care the device may not function properly.

Do not use this product in an aircraft or in a hospital.

Do not expose the device to direct sunlight.

Device may become warm while charging.

PRODUCT SPECIFICATIONS

Main device parameters

output power: 3Wx2

frequency response: 120Hz-18KHz

driver: 1.7"

power supply: USB, DC 5V ~ 500mA

distortion: ≤ 0.5%

S/N: ≥ 70dB

battery capacity: 2000mAh

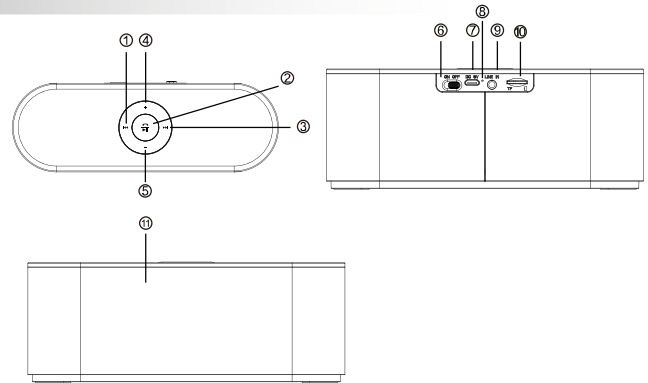
battery time: up to 4.5-5 hours

battery charging time 4.5-5 hours

product size: 178x58x68mm

product weight: 565g

FUNCTIONS



1. ⏪ Last Song: Press quickly for last song
2. 📞 Phone Answer and Redial Key: Under Bluetooth connected status, when the call comes in press button quickly to answer the call, double click and redial the last call.
3. ⏩ Next Song: Press quickly for next song
4. + Volume up: press and hold to increase the volume, when volume reaches the maximum limit, speaker will beep.
5. - Volume down: press and hold to decrease the volume.
6. 📶 Power On/Off.
7. 📶 Micro USB: Use a computer USB port/power adapter to recharge the speaker. When battery is low, it will take 4 hours to fully recharge the battery.
8. 🔴 Red LED
9. 🔵 Audio input (Line-in)
10. 📀 TF Card
11. 🎤 The microphone

This device complies with Part 15 of the FCC Rules. Operation is subject to the following two conditions: (1) This device may not cause harmful interference, and (2) this device must accept any interference received, including interference that may cause undesired operation.

Caution: Changes or modifications not expressly approved by the party responsible for compliance could void the user's authority to operate the equipment.

NOTE: This equipment has been tested and found to comply with the limits for a Class B digital device, pursuant to part 15 of the FCC Rules. These limits are designed to provide reasonable protection against harmful interference in a residential installation. This equipment generates uses and can radiate radio frequency energy and, if not installed and used in accordance with the instructions, may cause harmful interference to radio communications. However, there is no guarantee that interference will not occur in a particular installation. If this equipment does cause harmful interference to radio or television reception, which can be determined by turning the equipment off and on, the user is encouraged to try to correct the interference by one or more of the following measures:

- Reorient or relocate the receiving antenna.
- Increase the separation between the equipment and receiver.
- Connect the equipment into an outlet on a circuit different from that to which the receiver is connected.
- Consult the dealer or an experienced radio/TV technician for help.