

Attention

- Don't expose to liquids
- Don't disassemble
- Avoid dropping
- Avoid extreme temperatures

Customer Service

18
18-month limited warranty

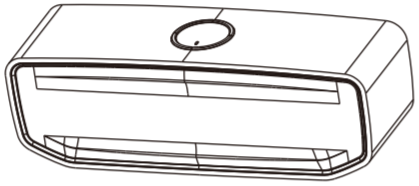
Lifetime technical support

support@tewelldirect.com


Bluetooth Speaker
G01

USER MANUAL


What's Included



Speaker

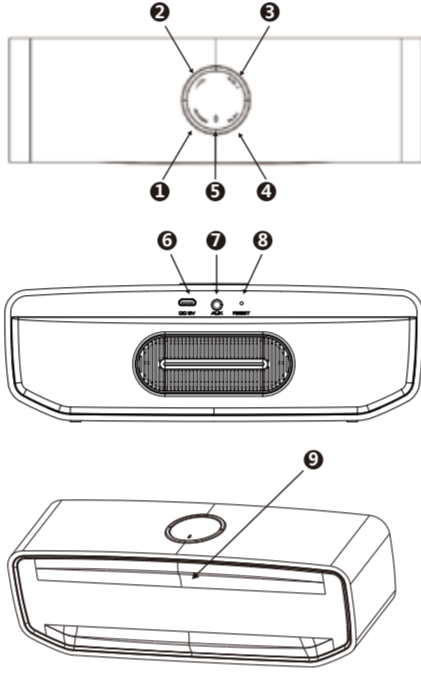


Aux-in Cable



Charging Cable

At a Glance




- Power
- Volume down Last song
- Volume up Next song
- Play/Pause/Phone answer
- LED indication
- Micro USB charging port
- Aux input port
- Reset port
- Microphone

Using Your Aluman


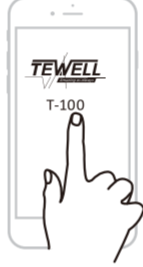
Before first use, please charge Aluman for at least 3 hours

1. Turn on/off



$\odot >2S$

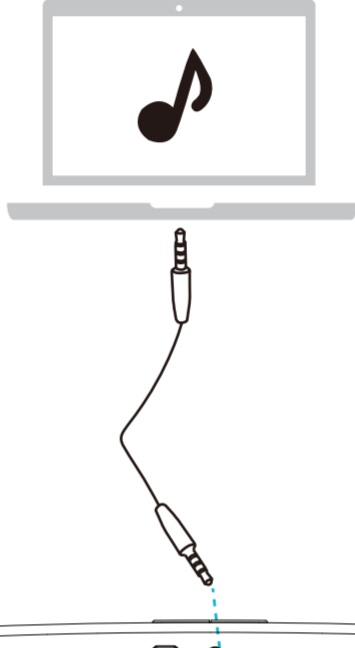
2. Pair with your device

Pairing mode: Flashing blue and red alternately

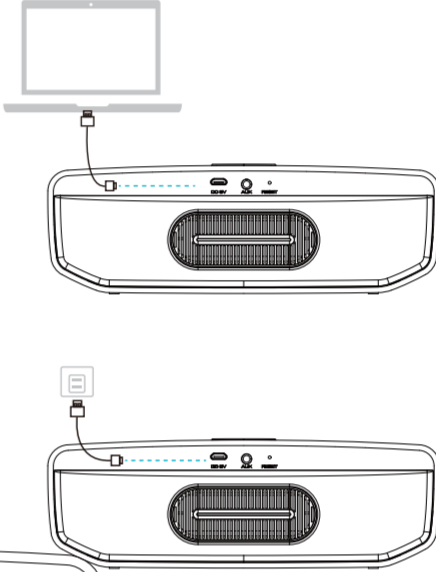
Connected: Steady blue

3. Connect via aux input



Aux input / Playing: Steady blue

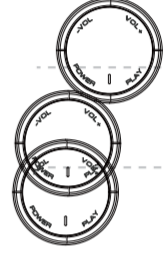
4. Charge your Aluman



Charging: Steady red

Fully charged: Red LED off

5. Other controls



- Quick Press: Volume Down Last Song
- Long Press: Volume Up Next Song
- Quick Press: Play/Pause/Phone Answer

Specifications

Audio Output	2x10w
Play Time	6h
Frequency Response	75Hz-18kHz
S / N	≥75dB
Size	L200xW60xH65mm L7.87xW2.36xH2.56in
Weight	740g 26.1oz

FCC Warning:

This equipment has been tested and found to comply with the limits for a Class B digital device, pursuant to part 15 of the FCC Rules. These limits are designed to provide reasonable protection against harmful interference in a residential installation. This equipment generates, uses and can radiate radio frequency energy and, if not installed and used in accordance with the instructions, may cause harmful interference to radio communications. However, there is no guarantee that interference will not occur in a particular installation. If this equipment does cause harmful interference to radio or television reception, which can be determined by turning the equipment off and on, the user is encouraged to try to correct the interference by one or more of the following measures:

- Reorient or relocate the receiving antenna.
- Increase the separation between the equipment and receiver.
- Connect the equipment into an outlet on a circuit different from that to which the receiver is connected.
- Consult the dealer or an experienced radio/TV technician for help.

Caution: Any changes or modifications to this device not explicitly approved by manufacturer could void your authority to operate this equipment.

This device complies with part 15 of the FCC Rules. Operation is subject to the following two conditions: (1) This device may not cause harmful interference, and (2) this device must accept any interference received, including interference that may cause undesired operation.

The device has been evaluated to meet general RF exposure requirement. The device can be used in portable exposure condition without restriction.

FCC Warning: