

## SAFETY INSTRUCTIONS

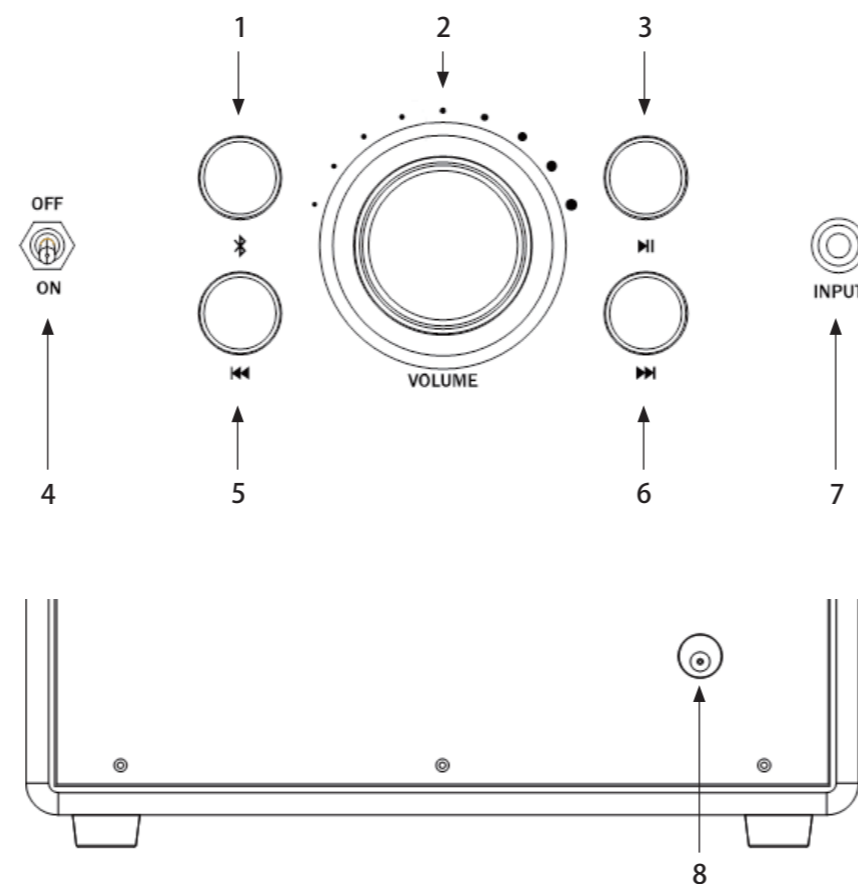
Read the operating instructions carefully before use.  
Save these instructions for future reference.

- Protect the appliance and the power cord from heat, sunlight, water and sharp edges.
- Never poke any metal objects into the appliance – risk of short circuiting.
- Do not use the appliance in extremely dry air – risk of static electricity.
- Do not expose the product to excessive heat or naked flames.
- The product may become warm when charging
- Do not modify the product – the manufacturer cannot accept liability for any damage caused by unauthorised modifications.
- The product and antenna must not be located or used in conjunction other antennas or transmitters.
- Do not attempt to repair the appliance. Any repairs must be carried out by an authorised service centre or other qualified person.

## TECHNICAL DATA

Electrical data	14 VDC, 1 A
Bluetooth that supports	3.0+EDR
Range	10 m
Frequency response	80 Hz to 16 kHz
RMS-output	25 W (THD = 10%)
Distortion	≤ 0.5 %
Signal/noise ratio	≥ 65 dB
Drive unit	2 x 3"
Output power	2x12,5 W RMS
Battery capacity	2000 mAh
Operating time	3-4 hours
Charging time	2-2.5 hours
Interface	BT, AUX
Dimensions	260 x 150 x 150 mm
Weight	2 kg

## DESCRIPTION



- |                                |                         |
|--------------------------------|-------------------------|
| 1 Bluetooth/AUX input selector | 5 Previous song         |
| 2 Volume setting               | 6 Next song             |
| 3 Play/Pause                   | 7 AUX input             |
| 4 Power switch                 | 8 Charger socket (rear) |

## USE

### When the product is new

Fully charge the product before using for the first time.

### Charging the speaker

1. Connect the adapter cable to the speaker's charging port.
2. The red status light comes on to show that the product is charging.
3. The red status light goes off when product is fully charged.

### Pairing

1. Place the speaker within 9 metres of the Bluetooth device.
2. Put the switch in the ON position. The blue status lamp flashes slowly 3 times and then flashes quickly to indicate pairing mode.
3. Follow the instructions on the Bluetooth device to search for the speaker.
4. The speaker's name when pairing is M1. If a PIN code is requested, enter 0000.
5. The blue status lamp flashes when pairing is complete.

### Use

Set the switch in the ON position to start the speaker. An audio signal is give and the blue status lamp flashes slowly. The blue status light is on during music playback.

### Status lights

Charging	Red light on
Fully charged	Red light out
Pairing mode	Blue light flashes quickly
Connected	Blue light on
Playback	Blue light flashes slowly

**FCC Warning:**

This device complies with Part 15 of the FCC Rules. Operation is subject to the following two conditions: (1) this device may not cause harmful interference, and (2) this device must accept any interference received, including interference that may cause undesired operation.

Changes or modifications not expressly approved by the party responsible for compliance could void the user's authority to operate the equipment.

NOTE: This equipment has been tested and found to comply with the limits for a Class B digital device, pursuant to Part 15 of the FCC Rules. These limits are designed to provide reasonable protection against harmful interference in a residential installation. This equipment generates, uses and can radiate radio frequency energy and, if not installed and used in accordance with the instructions, may cause harmful interference to radio communications. However, there is no guarantee that interference will not occur in a particular installation. If this equipment does cause harmful interference to radio or television reception, which can be determined by turning the equipment off and on, the user is encouraged to try to correct the interference by one or more of the following measures:

- Reorient or relocate the receiving antenna.
- Increase the separation between the equipment and receiver.
- Connect the equipment into an outlet on a circuit different from that to which the receiver is connected.
- Consult the dealer or an experienced radio/TV technician for help.

**RF Exposure Statement**

To maintain compliance with FCC's RF Exposure guidelines, This equipment should be installed and operated with minimum distance between 20cm the radiator your body: Use only the supplied antenna.