

SBT 1004 User Manual

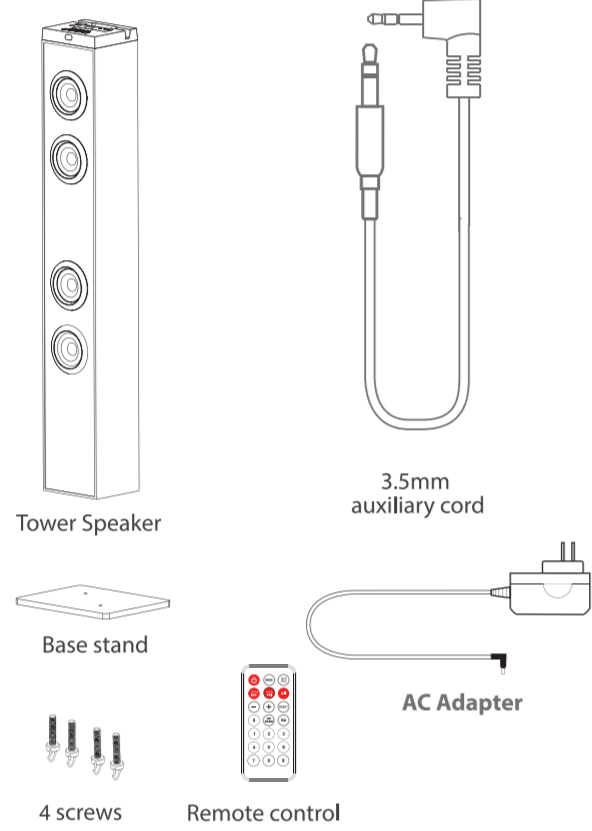
**SHARPER
IMAGE**

Tower Speaker



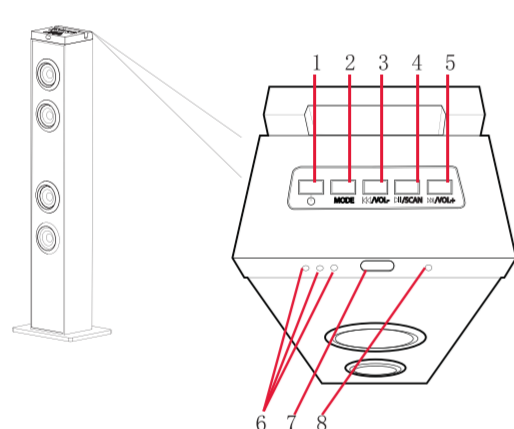
User Guide
SBT1004

IN THE BOX



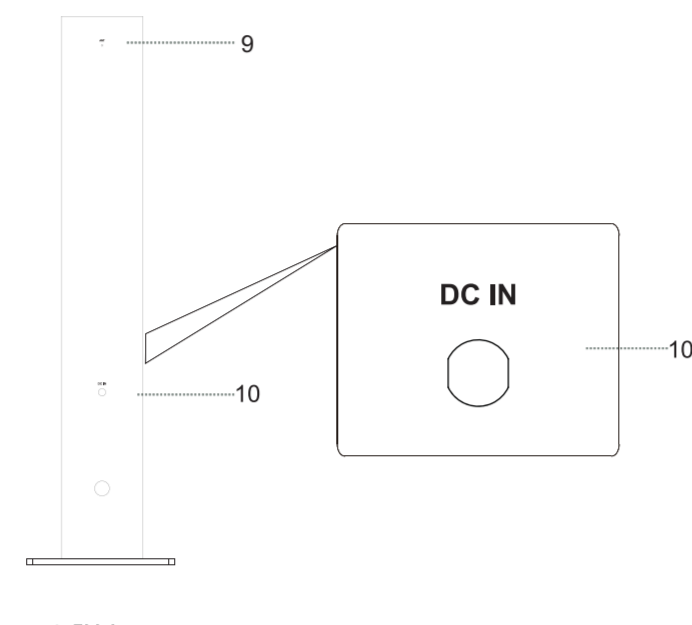
LOCATION OF CONTROLS:

Main Unit

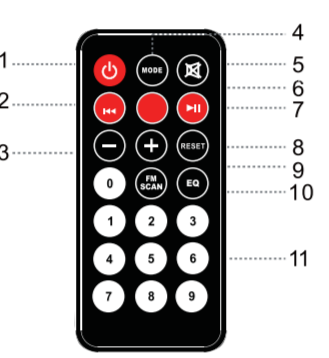


- [] button
POWER ON: Quickpress to turn ON
POWER OFF: Quickpress again to turn off.
- [MODE] button: Change Input sources
- [] button: Previous track/Tune down through radio stations in FM mode.
- [] button: Press and hold to scan FM stations.
- [] button: Next track/Tune up through radio stations in FM mode.
- Source indicator lights
- IR remote sensor
- AUX-IN jack

LOCATION OF CONTROLS (CONT):

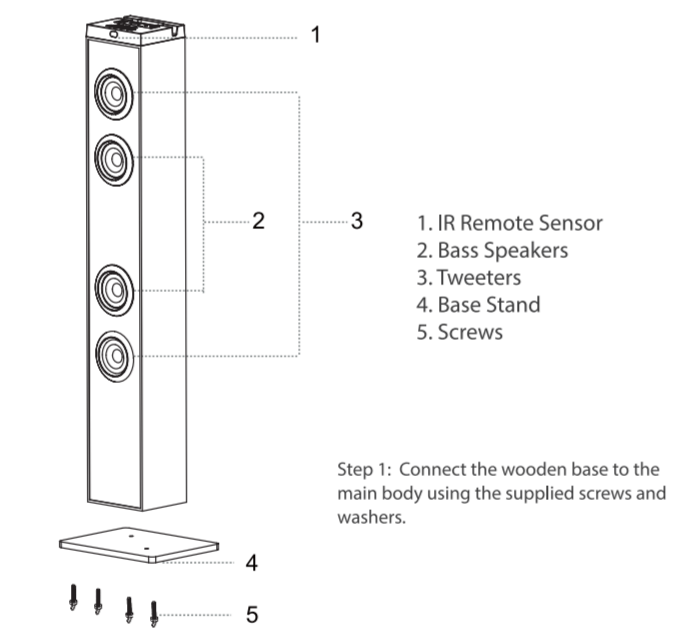


Remote Control



- [] button:
POWER ON = Quickpress (make sure the Power Switch is set to ON)
POWER OFF = Quickpress
- [] button: Previous track/Tune down through radio stations in FM mode
- [+/-] buttons: Increase/Decrease the volume
- [MODE] button: Mode conversion
- [] button: Mute - turn OFF/ON sound
- [] button: Next track/Tune up through radio stations in FM mode
- [] button: Play/Pause
- [] button: Volume recovery system default settings
- [FM SCAN] button: Press & Hold = FM Scan
- [EQ] button: Switch sound settings
- Numeric buttons

NOTE: The battery for the remote control (1 CR2025 Lithium battery) is included. To replace the battery, push and slide out the battery door in the remote control. Replace the battery with a new CR2025 battery with the polarity "+" facing up. Slide the door



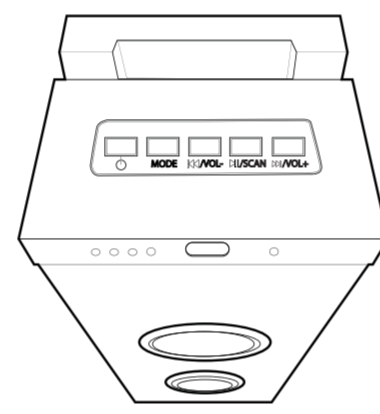
Step 1: Connect the wooden base to the main body using the supplied screws and washers.

BASIC OPERATION:

- Flip Main Power Switch on the rear of the unit to the ON position.
- Press the [] button to turn ON the unit. A source indicator will light up GREEN when the unit is ON; the light will go out when the unit is OFF.
- Press the [MODE] button on the speaker or the [MODE] button on the remote control repeatedly to switch the playback source. The Source Indicator will light up GREEN accordingly.
- Press the [VOL+ /VOL-] buttons on the speaker or the [+/-] buttons on the remote control to adjust volume level.
- Press the [EQ] button to set EQ mode as desired.
- Press the [] button on the remote control to turn off the sound. Press it again to turn the sound back on.

RADIO OPERATION:

- Press the [] button to turn ON the unit.
- Press the [MODE] button on the speaker or on the remote control repeatedly until the FM indicator turns GREEN.
- Press the [] or [] button on the speaker or the remote control to tune down/up through radio stations.
- To scan to the next available station, press and hold the [] or [] button for one full second and release.
- Press the [FM SCAN] button on the remote control to search all available stations. Press it again to stop on a station.
- To store preset radio stations in FM Mode:
 - Tune to the station you want to save.
 - Press and hold a numeric button for 3 seconds on the remote control to store the station.
 - Numbers between 1 and 9 may be used. For example, if you press and hold "1" then you will have programmed "Station 1".



NOTE: To enhance radio reception ability, fully unwind and extend the FM antenna wire located on the back of the speaker.

AUXILIARY PLAYBACK:

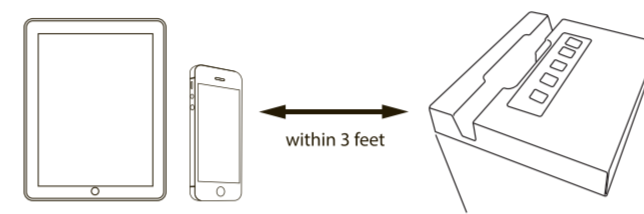
- Plug one end of the included 3.5 mm Auxiliary cord to the headphone jack on your device.
- Plug the other end of the 3.5 mm Auxiliary cord into the AUX jack on the top of the speaker.
- Press the [] button to turn ON the unit.
- Press the [MODE] button on the speaker or the [MODE] button on the remote control repeatedly until the AUX indicator turns GREEN.
- Use your device's audio controls for music playback.

NOTE: You cannot use the speaker controls for audio playback while the device is plugged into the AUX jack.

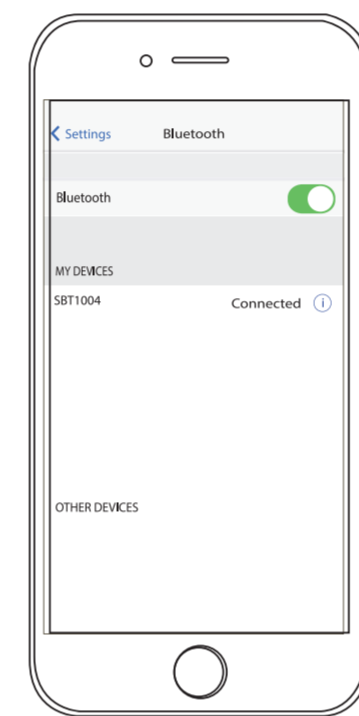
BLUETOOTH PAIRING & LINKING OPERATION:

- Keep your Tower Speaker and Bluetooth enabled device within 3 feet of each other during the pairing process.
- Press and hold the [] button to turn ON the unit.
- Press the [MODE] button on the speaker or the [MODE] button on the remote control repeatedly until the Bluetooth indicator flashes GREEN. The Bluetooth indicator will remain GREEN when pairing is successful.

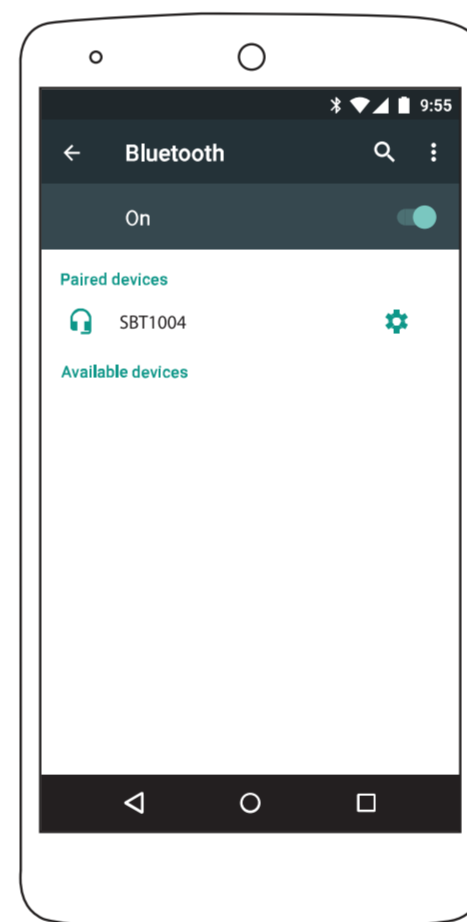
NOTE: Flashing Green: Pairing Mode
Solid Green: You are connected to the Bluetooth device. If you would like to use a new Bluetooth device with the speaker, you must unpair the speaker from your device using your device's Bluetooth menu. If you power off the speaker when it is unpaired, the next time you turn the speaker on the Bluetooth indicator will flash Green which means it is in pairing mode.



- Set your mobile phone or other Bluetooth enabled device to search for Bluetooth devices.



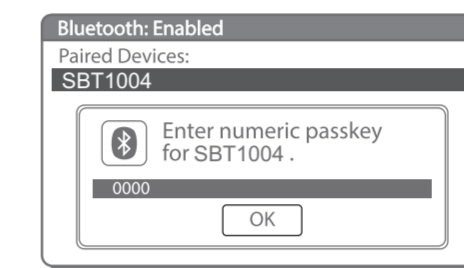
- When the device finds the Tower Speaker, confirm by selecting SBT1004 from the list.



BLUETOOTH PAIRING (cont'd)

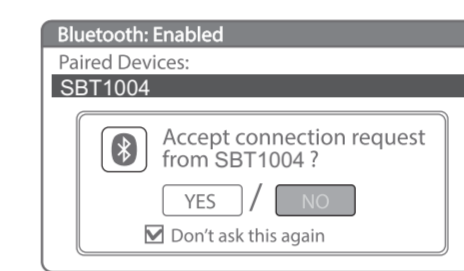
- Select "Pair" to connect the Tower Speaker to your Bluetooth enabled device.

Depending on which device you are trying to connect the speaker to, it may be necessary to enter a passcode and the following message (or similar) may appear on your device's display:

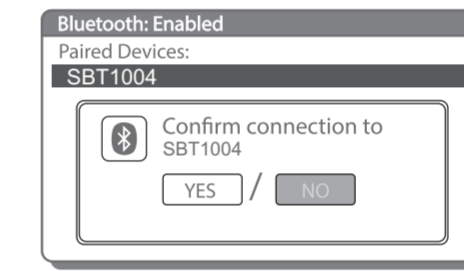


Enter passcode "0000" if prompted by the device.

- Your Bluetooth enabled device will confirm that the pairing was completed, and prompt you to accept the connection. Please respond YES to connect the Tower Speaker to your Bluetooth enabled device.



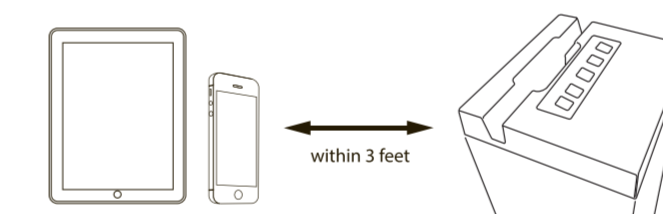
- When attempting to reconnect the Tower Speaker to your Bluetooth enabled device, you may see the message below, and your Bluetooth device will prompt you to accept the connection request to the SBT1004 speaker, and an option not to ask this again. Please accept the connection, and if you select "Don't ask this again", your Bluetooth device will automatically accept future connection requests from your Tower Speaker.



PLAY MUSIC FROM BLUETOOTH DEVICES:

Make sure the Bluetooth connection between the speaker and the Bluetooth enabled device is active. (see Bluetooth pairing & linking operation)

- Press the [] button to pause the music.
Press the [] button again to resume play.
- Press the [] button to skip forward to the next track and the [] button to skip backward to the previous track.
- Press the [VOL+ /VOL-] buttons on the speaker or the [+/-] buttons on the remote control to adjust volume level.



LEGAL INFORMATION

READ CAREFULLY AND KEEP THIS MANUAL

Caution: Any changes or modifications not expressly approved could void the user's authority to operate the equipment.

This device complies with Part 15 of the FCC Rules. Operation is subject to the following two conditions:
(1) This device may not cause harmful interference, and
(2) this device must accept any interference received, including interference that may cause undesired operation.

Note: This equipment has been tested and found to comply with the limits for a Class B digital device, pursuant to part 15 of the FCC Rules. These limits are designed to provide reasonable protection against harmful interference in a residential installation. This equipment generates, uses and can radiate radio frequency energy and, if not installed and used in accordance with the instructions, may cause harmful interference to radio communications. However, there is no guarantee that interference will not occur in a particular installation. If this equipment does cause harmful interference to radio or television reception, which can be determined by turning the equipment off and on, the user is encouraged to try to correct the interference by one or more of the following measures:

- Reorient or relocate the receiving antenna.
- Increase the separation between the equipment and receiver.
- Connect the equipment into an outlet on a circuit different from that to which the receiver is connected.
- Consult the dealer or an experienced radio/TV technician for help.

LIMITED WARRANTY

90 Days Limited Warranty
In the unlikely event that this product is defective, or does not perform properly, you may within ninety (90) days from your original date of purchase return it to the authorized service center for repair or exchange.

TO OBTAIN WARRANTY SERVICE:

- Call the Customer Support number located below, or go to our website portal to receive an SRO number.
 - Provide proof of the date of purchase within the package (dated bill of sale).
 - Prepare all shipping costs to the authorized service center, and remember to insure your return.
 - Include a return shipping address (no P.O. Boxes), a telephone contact number, and the defective unit within the package.
 - Describe the defect or reason you are returning the product.
- Your product will be repaired or replaced, at our option, for the same or similar model of equal value if examination by the service center determines this product is defective. Products received damaged as a result of shipping will require you to file a claim with the carrier.

The shipping address of the authorized service center is:
Customer Support Dept. 36
c/o Southern Telecom
400 Kennedy Drive
Brooklyn, NY 11232

Should you have any questions or problems concerning this product, please contact our customer service department at:
Customer Support:
Phone: 1-877-768-8481
Monday-Friday 8AM-10PM(EST)
www.southern telecom.com
Click on "Product Support"

Warranty service not provided
This warranty does not cover damage resulting from accident, misuse, abuse, improper installation or operation, lack of reasonable care, and unauthorized modification. This warranty is voided in the event any unauthorized person opens, alters or repairs this product. All products being returned to the authorized service center for repair must be suitably packaged.

Limitation of Warranty:
THE WARRANTY STATED ABOVE IS THE ONLY WARRANTY APPLICABLE TO THIS PRODUCT. ALL OTHER WARRANTIES, EXPRESS OR IMPLIED (INCLUDING ALL IMPLIED WARRANTIES OF MERCHANTABILITY OR FITNESS FOR A PARTICULAR PURPOSE) ARE HEREBY DISCLAIMED. NO VERBAL OR WRITTEN INFORMATION GIVEN BY AIT, INC. ITS AGENTS, OR EMPLOYEES SHALL CREATE A WARRANTY OR IN ANY WAY INCREASE THE SCOPE OF THIS WARRANTY.

REPAIR OR REPLACEMENT AS PROVIDED UNDER THIS WARRANTY IS THE EXCLUSIVE REMEDY OF THE CONSUMER. AIT, INC. SHALL NOT BE LIABLE FOR INCIDENTAL OR CONSEQUENTIAL DAMAGES RESULTING FROM THE USE OF THIS PRODUCT OR ARISING OUT OF ANY BREACH OF ANY EXPRESS OR IMPLIED WARRANTY ON THIS PRODUCT. THIS DISCLAIMER OF WARRANTIES AND LIMITED WARRANTY ARE GOVERNED BY THE LAWS OF THE STATE OF NEW YORK. EXCEPT TO THE EXTENT PROHIBITED BY APPLICABLE LAW, ANY IMPLIED WARRANTY OF MERCHANTABILITY OR FITNESS FOR A PARTICULAR PURPOSE ON THIS PRODUCT IS LIMITED TO THE APPLICABLE WARRANTY PERIOD SET FORTH ABOVE.

Some states do not allow the exclusion nor limitation of incidental or consequential damages, or limitations on how long an implied warranty lasts so the above limitations on exclusions may not apply to you. This warranty gives you specific legal rights, and you also may have other rights that vary from state to state.

Sharper Image® name and logo are registered trademarks. Manufactured and marketed by Southern Telecom under license. © Sharper Image®

**SHARPER
IMAGE**