



TAKING CONTROL FORWARD

USER INSTRUCTIONS

User Instruction for: RFW Remote

CPAC SYSTEMS AB
Falkenbergsgatan 3
SE-412 85 Göteborg, Sweden
Phone: +46 (0)31 352 16 00
Fax: +46 (0)31 352 16 99
www.cpacsystems.se
Organization number 556566-2870

⚠ IMPORTANT!

This kit with its accompanying instructions is produced for service workshops, boat-builders, machine manufacturers and other authorized workshops which have personnel with qualified professional training.

The installation instructions are only produced for professional use and are not intended for non-professional use. CPAC Systems will not assume any liability whatsoever for damage incurred, either damage to materials or personal injury, which may result if the installation instructions are not followed or if the work is carried out by non-professional personnel.

⚠ WICHTIG!

Dieser Satz mit vorliegender Einbauanleitung ist für Kundendienst-werkstätten, Werften, Maschinenbauer und für andere ermächtigte Werkstätten mit beruflich geschultem Personal vorgesehen.

Die Einbauanleitung ist nur für den berufsmäßigen Gebrauch vorgesehen und nicht für unprofessionelle Anwendung gedacht. CPAC Systems übernimmt nicht die geringste Haftung für irgendwelchen Schaden an Personen oder Sachen, die als Folge einer Nichtbefolgung der Einbauanleitung oder wegen Ausführung der darin beschriebenen Arbeiten durch nicht beruflich geschulte Personen entstehen.

⚠ IMPORTANT!

Ce kit, avec instructions de montage, est destiné aux ateliers de service, aux constructeurs de bateaux et autres ateliers de construction agréés avec un personnel qualifié.

Les instructions de montage sont exclusivement conçues pour une utilisation professionnelle. CPAC Systems se dégage de toute responsabilité pour d'éventuels endommagements, corporels ou matériels, résultant du non respect des instructions ou d'un travail effectué par un personnel non compétent.

⚠ IMPORTANTE!

El presente juego con las instrucciones de montaje se destina a los talleres de servicio, constructores de embarcaciones y máquinas y a otros talleres autorizados que cuentan con personal capacitado.

Las instrucciones de montaje están destinadas únicamente para uso profesional, por lo que CPAC Systems no aceptará responsabilidad alguna por cualquier daño, tanto personal como material, resultado de no haber seguido las instrucciones de montaje o de haber sido efectuado el trabajo por personal que no está debidamente capacitado.

⚠ IMPORTANTE!

Questo kit e le relative istruzioni di montaggio sono stati realizzati per le officine di servizio, i cantieri, i fabbricanti di macchine e tutte le altre officine autorizzate il cui personale ha ricevuto un addestramento qualificato e specializzato.

Le istruzioni di montaggio sono state redatte esclusivamente per uso professionale e non sono adatte all'uso non professionale. La CPAC Systems non si assume alcuna responsabilità per eventuali danni alle cose o alle persone, derivanti da trascuratezza nel seguire le istruzioni di montaggio oppure dall'esecuzione dei lavori da parte di personale non qualificato.

⚠ VIKTIGT!

Denna sats med föreliggande monteringsanvisning är framtagen för serviceverkstäder, båtbyggare, maskintillverkare och övriga auktoriserade verkstäder som har personal med kvalificerad fackutbildning.

Monteringsanvisningen är enbart framtagen för yrkesbruk och är inte avsedd för icke yrkesmässig användning. CPAC Systems påtager sig inget som helst ansvar för eventuella skador, såväl materiella som personskador, som kan bli följden om monteringsanvisningen ej följs, eller om arbetet utförs av icke yrkeskunnig personal.

⚠ VIGTIGT!

Dette sæt med tilhørende monteringsvejledning er blevet udviklet for serviceværksteder, bådbyggere, maskinproducenter og andre autoriserede værksteder, som har medarbejdere med kvalificeret, faglig uddannelse.

Monteringsvejledningen er udelukkende beregnet til professionel anvendelse og ikke til hobby- eller fritidsbrug. CPAC Systems påtager sig intet som helst ansvar for eventuelle skader på såvel materiel som personer, som kan være en følge af at monteringsvejledningens anvisninger ikke blev overholdt, eller hvis arbejdet blev udført af ikke-professionelt personale.

⚠ TARKEAA!

Tämä sarja ja asennusohje on tarkoitettu huoltokorjaamoille, veneenrakentajille, konevalmistajille ja muille valtuutetuille korjaamoille, joiden henkilökunta on saanut pätevän ammattikoulutuksen.

Asennusohje on tarkoitettu ainoastaan ammattikäyttöön. CPAC Systems ei vastaa mahdollisista materiaali- tai henkilövahingoista, joita asennusohjeen laiminlyöminen tai ammattitaidottoman henkilökunnan suorittama asennustyö voi aiheuttaa.

⚠ BELANGRIJK!

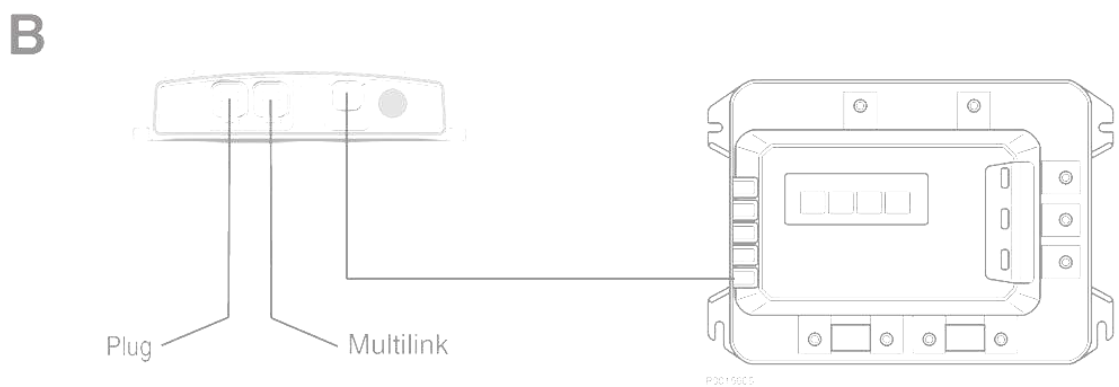
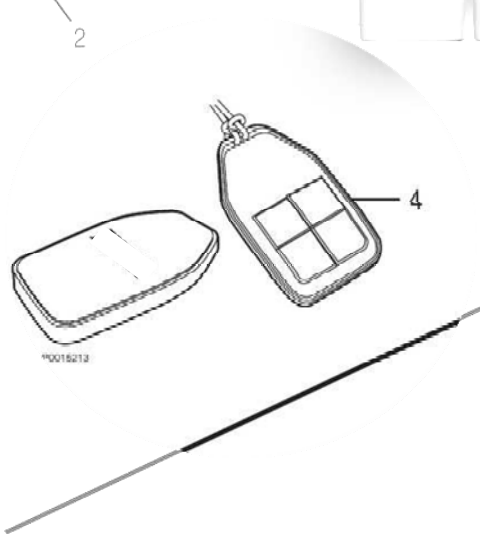
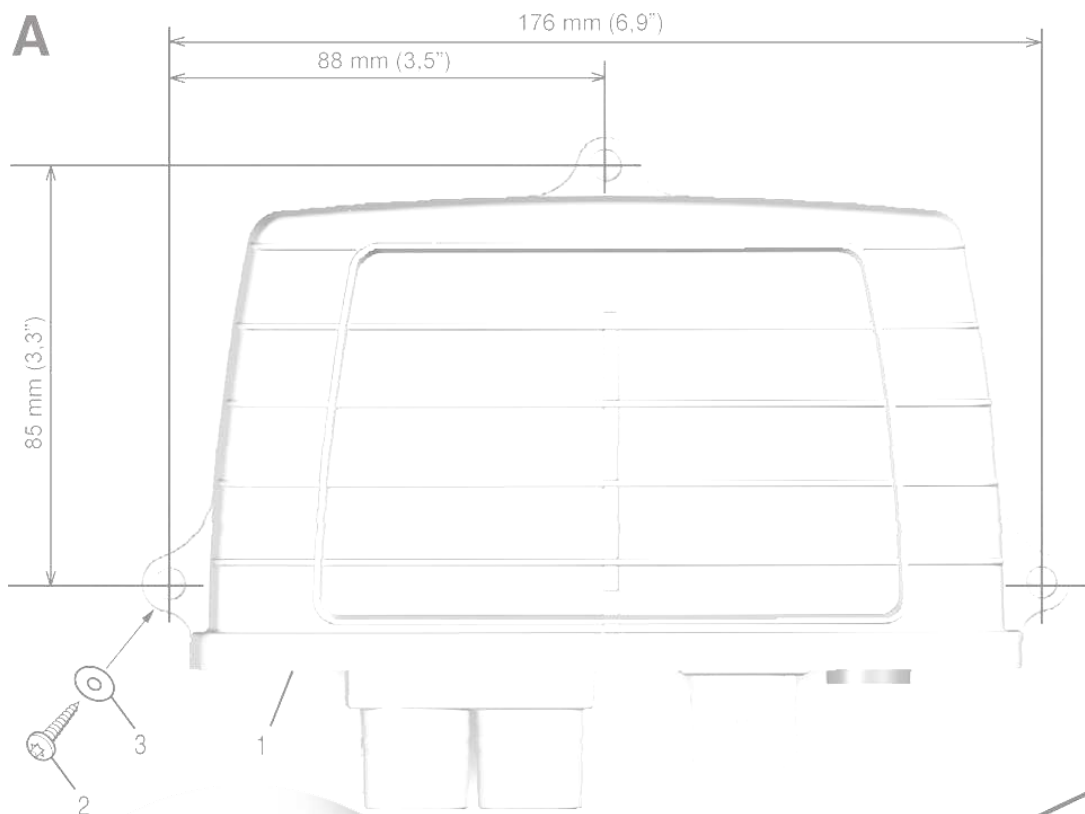
Deze set met de bijgevoegde montage-aanwijzing is ontwikkeld voor de werkplaatsen van otenbouwers, machinefabrikanten en overige bevoegde werkplaatsen, die personeel hebben met een gekwalificeerde vakopleiding.

De montage-aanwijzing is alleen ontwikkeld voor professioneel gebruik en is niet bedoeld voor niet-professioneel gebruik. CPAC Systems neemt geen enkele verantwoordelijkheid op zich voor eventuele schade, zowel materiële schade als persoonlijk letsel, die het gevolg kan zijn als de montage-aanwijzing niet wordt gevolgd, of als het werk wordt uitgevoerd door niet-vakkundig personeel.

⚠ IMPORTANTE!

Este jogo, juntamente com as respectivas instruções de montagem, foi concebido para as oficinas de serviço de, construtores navais, construtores de máquinas e outras oficinas autorizadas, com pessoal devidamente formado.

As instruções de montagem foram concebidas unicamente para utilização profissional e não se destinam a utilização não profissional. A CPAC Systems não se responsabiliza por quaisquer danos eventuais, tanto materiais como pessoais, que possam resultar no caso de as instruções de montagem não serem seguidas, ou se os trabalhos forem executados por pessoal não profissional.



RFW Remote

Pairing or removing a RFW Remote can only be performed in the overlay system using special tools. Reference is made to the manual of the overlay system and is not covered in this instruction.

The selection of ignition functions and switches that can be handled by the RFW Remote is configured in the overlay system. That configuration is described in the manual of the overlay system.

Relay controls refers to auxiliary relay functions connected to RFW Main.

The table below gives a typical configuration of the RFW Remote functions. Actual functions are defined by the overlay system manual.



Normal functions of the RFW Remote:

- ON:
 - ignition ON
 - power switches ON
- OFF:
 - ignition OFF
 - power switches OFF
- Relay control [1] and [2]
 - long press or toggle

Safety Precautions/Warnings!

Legal Statements

This section contains legal statements and safety precautions/warnings for the RFW Remote unit required by national authorities.

Country/Region	Statements/Precautions/Warnings
Canada and USA	<p>This device complies with Part 15 of the FCC Rules and with RSS-210 of Industry Canada. Operation is subject to the following two conditions.</p> <ol style="list-style-type: none"> 1) this device may not cause harmful interference, and 2) this device must accept any interference received, including interference that may cause undesired operation.
Canada	<p>Le présent appareil est conforme aux CNR d'Industrie Canada applicables aux appareils radio exempts de licence. L'exploitation est autorisée aux deux conditions suivantes:</p> <ol style="list-style-type: none"> 1) l'appareil ne doit pas produire de brouillage, et 2) l'utilisateur de l'appareil doit accepter tout brouillage radioélectrique subi, même si le brouillage est susceptible d'en compromettre le fonctionnement.
USA	<p>NOTE: This equipment has been tested and found to comply with the limits for a Class B digital device, pursuant to Part 15 of the FCC Rules. These limits are designed to provide reasonable protection against harmful interference in a residential installation. This equipment generates uses and can radiate radio frequency energy and, if not installed and used in accordance with the instructions, may cause harmful interference to radio communications. However, there is no guarantee that interference will not occur in a particular installation. If this equipment does cause harmful interference to radio or television reception, which can be determined by turning the equipment off and on, the user is encouraged to try to correct the interference by one or more of the following measures:</p> <ul style="list-style-type: none"> • Reorient or relocate the receiving antenna. • Increase the separation between the equipment and receiver. • Connect the equipment into an outlet on a circuit different from that to which the receiver is connected. • Consult the dealer or an experienced radio/TV technician for help. <p>NOTICE: Changes or modifications made to this equipment not expressly approved by CPAC Systems AB may void the FCC authorization to operate this equipment.</p>



TAKING CONTROL FORWARD

Additional Type Approval information

This section contains type approval symbols, numbers and texts for the RFW Remote unit required by national authorities and where this information is not found on the device itself due to limited space.

Country/Region	Additional Type Approval information