

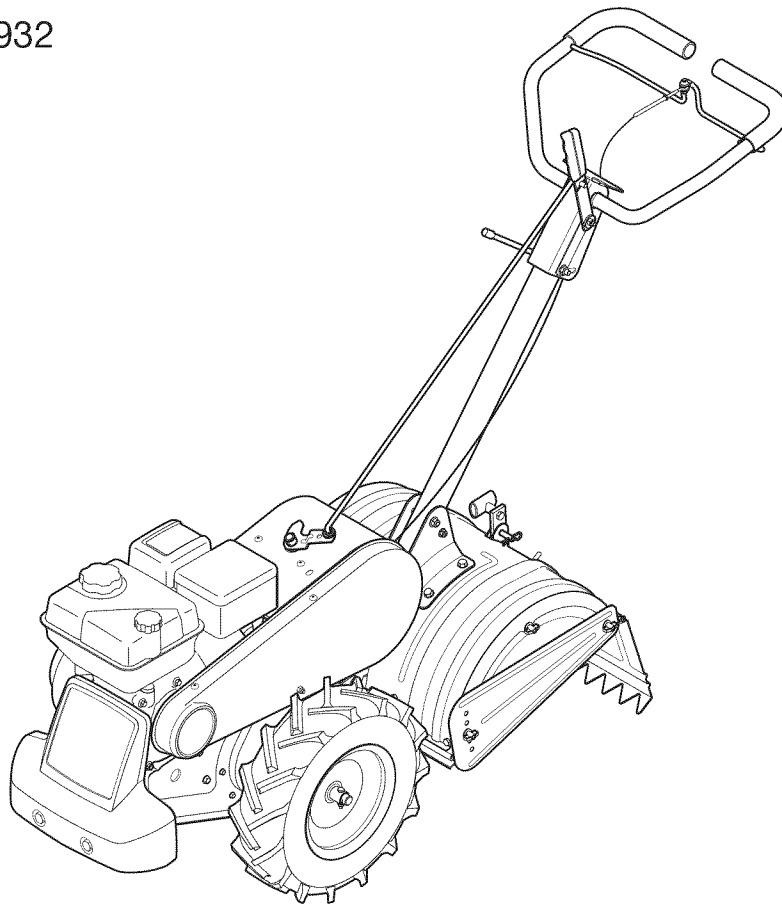
Operator's Manual



208cc Engine

Rear Tine Tiller

Model No. 247.29932



CAUTION: Before using this product, read this manual and follow all safety rules and operating instructions.

- SAFETY
- ASSEMBLY
- OPERATION
- MAINTENANCE
- PARTS LIST
- ESPAÑOL

Sears Brands Management Corporation, Hoffman Estates, IL 60179, U.S.A.
Visit our web site: www.craftsman.com

TABLE OF CONTENTS

Warranty Statement.....	Page 2	Trouble Shooting.....	Page 24
Safe Operation Practices.....	Pages 3-6	Parts List.....	Page 26-31
Safety Labels.....	Page 7	Label Map.....	Page 36
Assembly.....	Pages 8-10	Repair Protection Agreement.....	Page 39
Operation.....	Pages 11-17	Español.....	Page 40
Service and Maintenance.....	Pages 18-22	Service Numbers.....	Back Cover
Off-Season Storage.....	Page 23		

WARRANTY

CRAFTSMAN FULL WARRANTY

When operated and maintained according to all supplied instructions, if this Craftsman product fails due to a defect in material or workmanship within two years from the date of purchase, call 1-800-4-MY-HOME® to arrange for free repair (or replacement if repair proves impossible).

This warranty applies for only 90 days from the date of purchase if this product is ever used for commercial or rental purposes.

This warranty covers ONLY defects in material and workmanship. Sears will NOT pay for:

- Expendable items that become worn during normal use, including but not limited to blades, tines, or belts.
- Tire or wheel replacement or repair resulting from normal wear, accident, or improper operation or maintenance.
- Repairs necessary because of operator abuse, including but not limited to damage caused by impacting objects that bend the frame or motor crankshaft.
- Repairs necessary because of operator negligence, including but not limited to, electrical and mechanical damage caused by improper storage, or failure to maintain the equipment according to the instructions contained in the operator's manual.
- Repairs necessary due to improper fuel mixture, contaminated or stale fuel.
- Normal deterioration and wear of the exterior finishes, or product label replacement.

This warranty applies only while this product is within the United States.

This warranty gives you specific legal rights, and you may also have other rights which vary from state to state.

Sears, Roebuck and Co., Hoffman Estates, IL 60179

PRODUCT SPECIFICATIONS

Engine Series:	208cc
Engine Oil Type:	10w30
Engine Oil Capacity:	20 ounces
Fuel:	Unleaded Gasoline
Spark Plug:	Torch F6RTC
Spark Plug Gap:	.030"

MODEL NUMBER

Model Number.....
Serial Number.....
Date of Purchase.....

Record the model number, serial number
and date of purchase above

SAFETY INSTRUCTIONS

WARNING

This symbol points out important safety instructions which, if not followed, could endanger the personal safety and/or property of yourself and others. Read and follow all instructions in this manual before attempting to operate this machine. Failure to comply with these instructions may result in personal injury. When you see this symbol, HEED ITS WARNING!

WARNING

CALIFORNIA PROPOSITION 65

Engine Exhaust, some of its constituents, and certain vehicle components contain or emit chemicals known to State of California to cause cancer and birth defects or other reproductive harm. Battery posts, terminals, and related accessories contain lead and lead compounds, chemicals known to the State of California to cause cancer and reproductive harm. Wash hands after handling.

DANGER

This machine was built to be operated according to the safe operation practices in this manual. As with any type of power equipment, carelessness or error on the part of the operator can result in serious injury. This machine is capable of amputating fingers, hands, toes and feet and throwing debris. Failure to observe the following safety instructions could result in serious injury or death.

WARNING

Your Responsibility—Restrict the use of this power machine to persons who read, understand and follow the warnings and instructions in this manual and on the machine.

SAVE THESE INSTRUCTIONS!

TRAINING

- Read, understand, and follow all instructions on the machine and in the manual(s) before attempting to assemble and operate. Keep this manual in a safe place for future and regular reference and for ordering replacement parts.
- Read the Operator's Manual and follow all warnings and safety instructions. Failure to do so can result in serious injury to the operator and/or bystanders. For questions, call 1-800-4MY-HOME.
- Be familiar with all controls and their proper operation. Know how to stop the machine and disengage them quickly.
- Never allow children under 14 years of age to operate this machine. Children 14 and over should read and understand the instructions and safe operation practices in this manual and on the machine and be trained and supervised by an adult.
- Never allow adults to operate this machine without proper instruction.
- Keep bystanders, pets, and children at least 75 feet from the machine while it is in operation. Stop machine if anyone enters the area.
- Never run an engine indoors or in a poorly ventilated area. Engine exhaust contains carbon monoxide, an odorless and deadly gas.

PREPARATION

- Thoroughly inspect the area where the equipment is to be used. Remove all rocks, bottles, cans, or other foreign objects which could be picked up or thrown and cause personal injury or damage to the machine.
- Always wear safety glasses or safety goggles during operation and while performing an adjustment or repair, to protect your eyes. Thrown objects which ricochet can cause serious injury to the eyes.
- Wear sturdy, rough-soled work shoes and close-fitting slacks and shirts. Loose fitting clothes or jewelry can be caught in movable parts. Never operate this machine in bare feet or sandals.
- Before starting, check all bolts and screws for proper tightness to be sure the machine is in safe working condition. Also, visually inspect machine for any damage at frequent intervals.
- Disengage clutch levers and shift (if provided) into neutral ("N") before starting the engine.
- Never leave this machine unattended with the engine running.
- Never attempt to make any adjustments while the engine is running, except where specifically recommended in the operator's manual.
- Maintain or replace safety and instructions labels, as necessary.

SAFETY INSTRUCTIONS

Safe Handling of Gasoline:

To avoid personal injury or property damage use extreme care in handling gasoline. Gasoline is extremely flammable and the vapors are explosive. Serious personal injury can occur when gasoline is spilled on yourself or your clothes which can ignite. Wash your skin and change clothes immediately.

- Use only an approved gasoline container.
- Never fill containers inside a vehicle or on a truck or trailer bed with a plastic liner. Always place containers on the ground away from your vehicle before filling.
- When practical, remove gas-powered equipment from the truck or trailer and refuel it on the ground. If this is not possible, then refuel such equipment on a trailer with a portable container, rather than from a gasoline dispenser nozzle.
- Keep the nozzle in contact with the rim of the fuel tank or container opening at all times until fueling is complete. Do not use a nozzle lock-open device.
- Extinguish all cigarettes, cigars, pipes and other sources of ignition.
- Never fuel machine indoors.
- Never remove gas cap or add fuel while the engine is hot or running. Allow engine to cool at least two minutes before refueling.
- Never over fill fuel tank. Fill tank to no more than ½ inch below bottom of filler neck to allow space for fuel expansion.
- Replace gasoline cap and tighten securely.
- If gasoline is spilled, wipe it off the engine and equipment. Move unit to another area. Wait 5 minutes before starting the engine.
- To reduce fire hazards, keep machine free of grass, leaves, or other debris build-up. Clean up oil or fuel spillage and remove any fuel soaked debris.
- Never store the machine or fuel container inside where there is an open flame, spark or pilot light as on a water heater, space heater, furnace, clothes dryer or other gas appliances.

OPERATION

- Do not put hands or feet near rotating parts. Contact with the rotating parts can amputate hands and feet.
- Do not operate machine while under the influence of alcohol or drugs.
- Never operate this machine without good visibility or light. Always be sure of your footing and keep a firm hold on the handles.
- Keep bystanders away from the machine while it is in operation. Stop the machine if anyone enters the area.
- Be careful when tilling in hard ground. The tines may catch in the ground and propel the tiller forward. If this occurs, let go of the handle bars and do not restrain the machine.
- Exercise extreme caution when operating on or crossing gravel surfaces. Stay alert for hidden hazards or traffic. Do not carry passengers.
- Never operate the machine at high transport speeds on hard or slippery surfaces.
- Exercise caution to avoid slipping or falling.

- Look down and behind and use care when in reverse or pulling machine towards you.
- Start the engine according to the instructions found in this manual and keep feet well away from the tines at all times.
- After striking a foreign object or if your machine should start making an unusual noise or vibration, immediately shut the engine off. Disconnect the spark plug wire, ground it against the engine and perform the following steps:
 - a. Inspect for damage.
 - b. Repair or replace any damaged parts.
 - c. Check for any loose parts and tighten to assure continued safe operation.
- Disengage all clutch levers (if fitted) and stop engine before you leave the operating position (behind the handles). Wait until the tines come to a complete stop before unclogging the tines, making any adjustments, or inspections.
- Never run an engine indoors or in a poorly ventilated area. Engine exhaust contains carbon monoxide, an odorless and deadly gas.
- Muffler and engine become hot and can cause a burn. Do not touch.
- Use caution when tilling near fences, buildings and underground utilities. Rotating tines can cause property damage or personal injury.
- Do not overload machine capacity by attempting to till soil too deep at too fast of a rate.
- If the machine should start making an unusual noise or vibration, stop the engine, disconnect the spark plug wire and ground it against the engine. Inspect thoroughly for damage. Repair any damage before starting and operating.
- Keep all shields, guards, and safety devices in place and operating properly.
- Never pick up or carry machine while the engine is running.
- Use only attachments and accessories approved by the manufacturer as listed in the Parts List pages of this operator's manual. Failure to do so can result in personal injury.
- If situations occur which are not covered in this manual, use care and good judgement. Contact Customer Support at 1-800-4MY-HOME for assistance and the name of the nearest service dealer

MAINTENANCE & STORAGE

- Keep the machine, attachments and accessories in safe working order.
- Allow the machine to cool at least five minutes before storing. Never tamper with safety devices. Check their proper operation regularly.
- Check bolts and screws for proper tightness at frequent intervals to keep the machine in safe working condition. Also, visually inspect machine for any damage.
- Before cleaning, repairing, or inspecting, stop the engine and make certain the tines and all moving parts have stopped. Disconnect the spark plug wire and ground it against the engine to prevent unintended starting.

SAFETY INSTRUCTIONS

- Do not change the engine governor settings or over-speed the engine. The governor controls the maximum safe operating speed of engine.
- Maintain or replace safety and instruction labels, as necessary.
- Follow this manual for safe loading, unloading, transporting, and storage of this machine.
- Always refer to the operator's manual for important details if the machine is to be stored for an extended period.
- If the fuel tank has to be drained, do this outdoors.
- Observe proper disposal laws and regulations for gas, oil, etc. to protect the environment.
- According to the Consumer Products Safety Commission (CPSC) and the U.S. Environmental Protection Agency (EPA), this product has an Average Useful Life of seven (7) years, or 130 hours of operation. At the end of the Average Useful Life have the machine inspected annually by an authorized service dealer to ensure that all mechanical and safety systems are working properly and not worn excessively. Failure to do so can result in accidents, injuries or death.

DO NOT MODIFY ENGINE

To avoid serious injury or death, do not modify engine in any way. Tampering with the governor setting can lead to a runaway engine and cause it to operate at unsafe speeds. Never tamper with factory setting of engine governor.

NOTICE REGARDING EMISSIONS

Engines which are certified to comply with California and federal EPA emission regulations for SORE (Small Off Road Equipment) are certified to operate on regular unleaded gasoline, and may include the following emission control systems: Engine Modification (EM), Oxidizing Catalyst (OC), Secondary Air Injection (SAI) and Three Way Catalyst (TWC) if so equipped.

SPARK ARRESTOR

WARNING

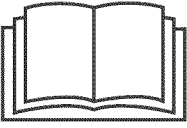





This machine is equipped with an internal combustion engine and should not be used on or near any unimproved forest-covered, brushcovered or grass-covered land unless the engine's exhaust system is equipped with a spark arrester meeting applicable local or state laws (if any)

If a spark arrester is used, it should be maintained in effective working order by the operator. In the State of California the above is required by law (Section 4442 of the California Public Resources Code). Other states may have similar laws. Federal laws apply on federal lands. A spark arrester for the muffler is available through your nearest Sears Parts and Repair Service Center.

SAFETY INSTRUCTIONS

SAFETY SYMBOLS

This page depicts and describes safety symbols that may appear on this product. Read, understand, and follow all instructions on the machine before attempting to assemble and operate.

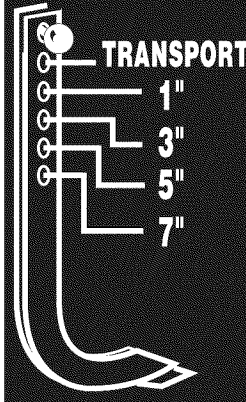
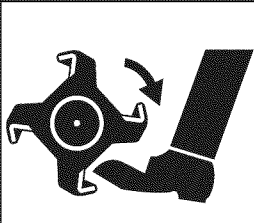
Symbol	Description
	READ THE OPERATOR'S MANUAL(S) Read, understand, and follow all instructions in the manual(s) before attempting to assemble and operate.
	WARNING— ROTATING TINES Do not put hands or feet near rotating parts. Contact with the rotating parts can amputate hands and feet.
	WARNING— ROTATING TINES Do not put hands or feet near rotating parts. Contact with the rotating parts can amputate hands and feet.
	WARNING— GASOLINE IS FLAMMABLE Allow the engine to cool at least two minutes before refueling.
	WARNING— CARBON MONOXIDE Never run an engine indoors or in a poorly ventilated area. Engine exhaust contains carbon monoxide, an odorless and deadly gas.
	WARNING— HOT SURFACE Engine parts, especially the muffler, become extremely hot during operation. Allow engine and muffler to cool before touching.



WARNING: Your Responsibility—Restrict the use of this power machine to persons who read, understand and follow the warnings and instructions in this manual and on the machine.

SAVE THESE INSTRUCTIONS!

SAFETY LABELS

<p>DEPTH STAKE</p>  <p>TRANSPORT</p> <p>1" 3" 5" 7"</p>	<p>⚠ WARNING</p> <p>TO AVOID SERIOUS INJURY</p> <p>Read the operator's manual. Know location and functions of all controls. Keep all safety devices and shields in place and working. Never allow children or uninstructed adults to operate tiller. Shut off engine before unclogging tines or making repairs. Keep bystanders away from machine. Keep away from rotating parts. Use extreme caution when reversing or pulling the machine towards you.</p>  <p>KEEP AWAY FROM ROTATING TINES. ROTATING TINES WILL CAUSE INJURY.</p> <p>⚠ WARNING</p> <p>Operation Of This Equipment May Create Sparks That Can Start Fires Around Dry Vegetation. A Spark Arrestor May Be Required. The Operator Should Contact Local Fire Agencies For Laws Or Regulations To Fire Prevention Requirements.</p>
--	---

ASSEMBLY

IMPORTANT: This unit is shipped without gasoline or oil in the engine. Be certain to service engine with gasoline and oil as instructed in the Operation section of this manual before operating your machine.

NOTE: Reference to right and left hand side of the Tiller is observed from the operating position.

OPENING CARTON

1. Remove the staples, break the glue on the top flaps, or cut the tape at the end of the carton and peel it along the top flap to open.
2. Remove all loose parts.
3. Cut the corners and lay the carton down flat.
4. Remove loose packing material.

REMOVING UNIT FROM CARTON

1. Use the handlebar to lift and pull the tiller backwards to a flat area. Check the carton thoroughly for loose parts.
2. Extend the control cable and lay it on the floor. Be careful not to bend or kink the control cable.

LOOSE PARTS IN CARTON

- Handlebar Assembly
- Tiller
- Engine Oil
- Operator's Manual
- Shift Rod
- Depth Stake

⚠ WARNING

Before assembly, disconnect the spark plug wire and ground it against the engine to prevent unintended starting.

ATTACHING THE DEPTH STAKE

1. Tip the tiller forward so that it rests on the front counterweight.
2. Unthread the "T" knob from the top of the depth stake and remove the flat washer and hex bolt. Remove the cotter pin from the clevis pin. See Figure 1.
3. Raise the tine shield hinge flap assembly and insert the depth stake assembly in the slot, under the tine shield and up through the tine shield assembly.
4. Insert the clevis pin through the tine shield and depth stake assemblies. Secure it with the cotter pin.
5. Insert the hex bolt into the top hole of the depth stake assembly. Place the flat washer on the hex bolt and thread the T-knob onto the hex bolt. Tighten securely. See Figure 1.
6. Tip the tiller back down so that it rests on the tines.

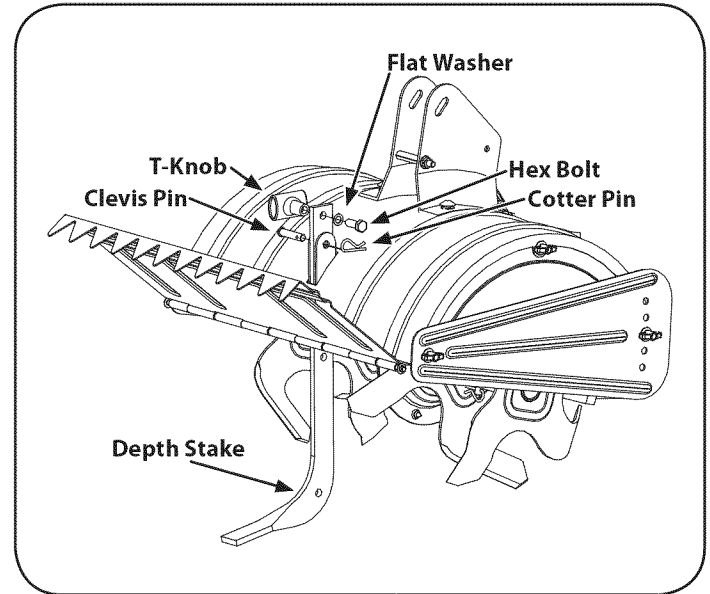


Figure 1

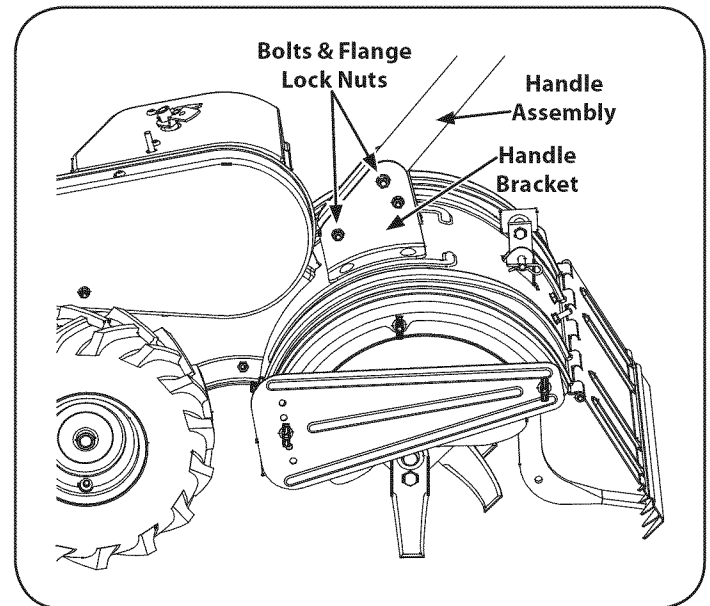


Figure 2

ATTACHING THE HANDLE ASSEMBLY

1. Remove the top two bolts and flange lock nuts from the handle mounting brackets, but do not remove the bottom bolt and nut. See Figure 2.
2. Place the handle assembly in position between the handle mounting brackets.
3. Line up the holes in the handle with the holes in the bracket and secure with the hardware previously removed.

ASSEMBLY

ATTACHING THE CONTROL ROD

1. Make sure the handle assembly is in the highest position. Refer to the Operation Section.
2. Remove the hairpin clips from the control rod, put the rubber washers in place.
3. Insert the shorter, angled end of the control rod through the indicator bracket on the shift cover and secure it with the previously removed hairpin clip. See Figure 3.
4. Insert the longer end of the control rod through the hole in the gear selector handle and secure with a cotter pin.

ATTACHING THE CLUTCH CABLE

1. Remove the threaded eyebolt and nut from the cable end.
2. Route the clutch cable to the right side of the handle mounting brackets and underneath the handle.
3. Push the cable through the hole in the center of the handle and snap in the plastic fitting. See Figure 4.
4. Remove the slot head screw, nut and two flat washers from the clutch bail. See Figure 5.
5. Fasten the threaded eyebolt onto the bail by securing it from the top with the slot head screw, flat washers and lock nut.
6. Thread the eyebolt and nut removed earlier into the internally threaded tube at the end of the cable. The thread engagement should be about $\frac{3}{4}$ ". Tighten the nut against the tube at the end of the cable. See Figure 5.

NOTE: Do not overtighten the clutch cable. Too much tension may cause it to break. Be certain to check the clutch cable adjustment before operating the tiller.

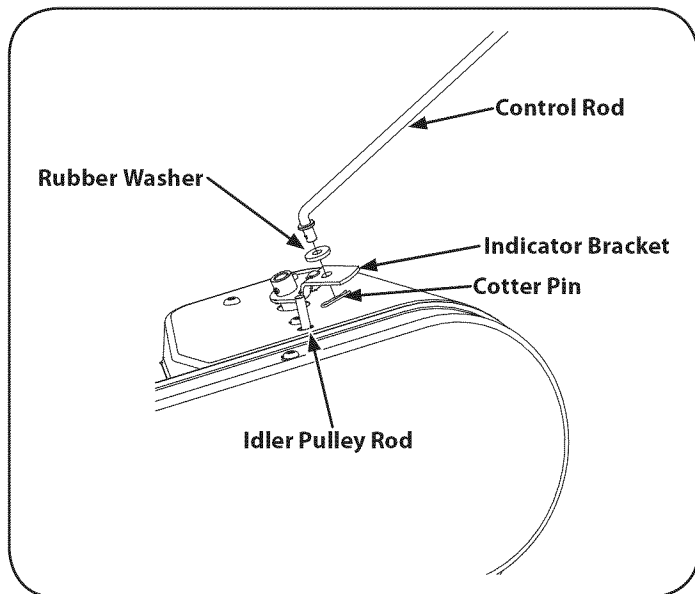


Figure 3

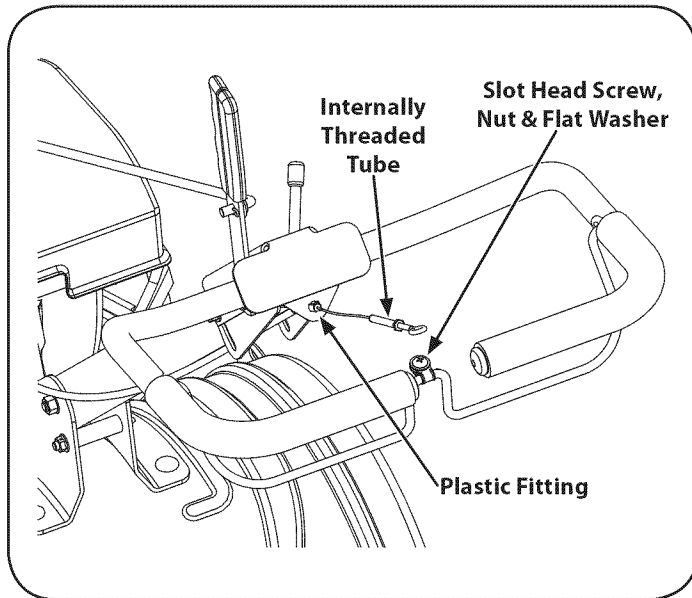


Figure 4

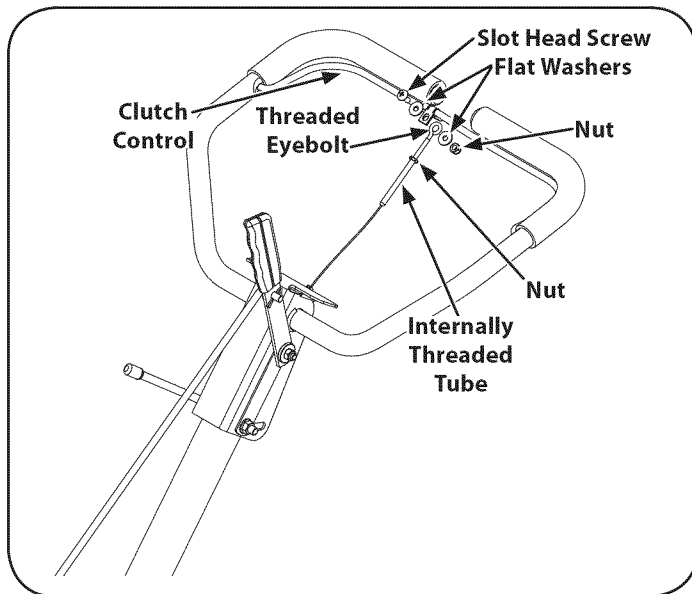


Figure 5

ASSEMBLY

ADJUSTMENTS

⚠ WARNING

Prior to operating your tiller, carefully read and follow all instructions below. Perform all adjustments to verify your tiller is operating safely and properly.

Check the adjustment of the clutch cable as follows:

1. Position the tiller so the front counterweight is against a solid object, such as a wall.
2. With the gear selection lever in NEUTRAL, start the engine. Refer to Starting the Engine in the Operation section.
3. Standing on the right side of the tiller, examine the belt (inside the belt cover). It should not be turning.
4. If the belt turns without the clutch control engaged, adjust it by unthreading the internally threaded tube at the end of the cable a few turns clockwise (when standing in the operator's position) and then retighten the nut against the tube. See Figure 6.
5. Now move the shift lever to the FORWARD position.
6. Carefully engage the clutch by lifting the clutch control against the handle. The wheels should spin.
7. If the wheels do not spin with the tiller in forward, adjust by unthreading the tube at the end of the cable a few turns counter-clockwise (when standing in the operator's position) and then retighten the nut against the tube. See Figure 6.
8. Recheck both adjustments, and readjust as necessary.

NOTE: A secondary cable adjustment is available if you reach the point that additional adjustment is needed. Remove the belt cover and move the hex nuts at the other end of the cable towards the end of the casing. Then readjust the hex nuts at the handle.

Check the adjustment of the idler pulley rod as follows:

1. Disconnect and ground the spark plug wire against the engine.
2. With the engine off and the clutch control disengaged, shift the gear selection handle to each forward mode.
3. Confirm that the indicator bracket does not touch the idler pulley rod with the clutch control disengaged.
4. To readjust the idler pulley rod, remove the belt cover as described under Belt Replacement in the Service and Maintenance section.
5. Remove the hairpin clip and spring washer from the idler pulley rod. See Figure 7.
6. Move the idler pulley rod to the lower hole in the idler bracket.
7. Replace the spring washer and hairpin clip.
8. Check the clearance of the idler pulley rod to the indicator bracket by shifting to each forward mode.

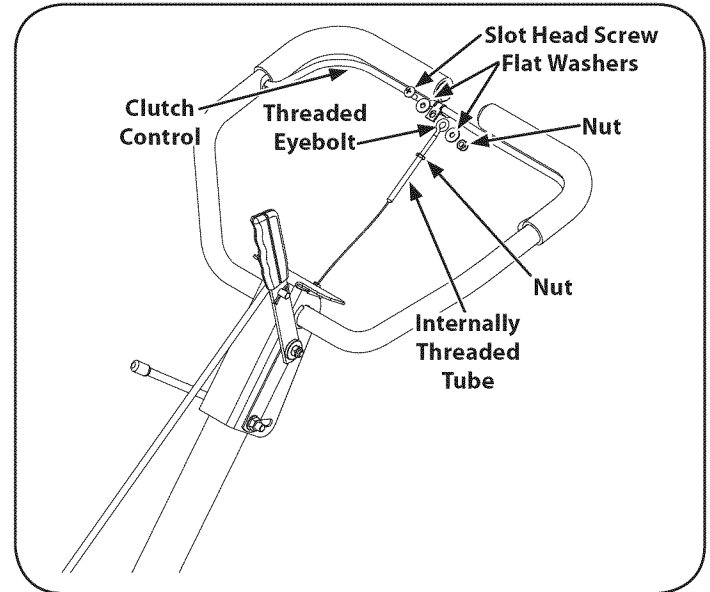


Figure 6

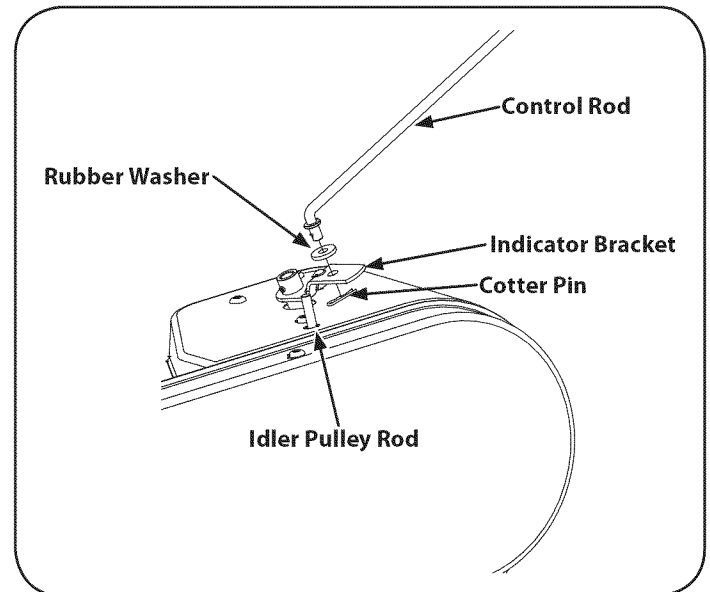


Figure 7

OPERATION

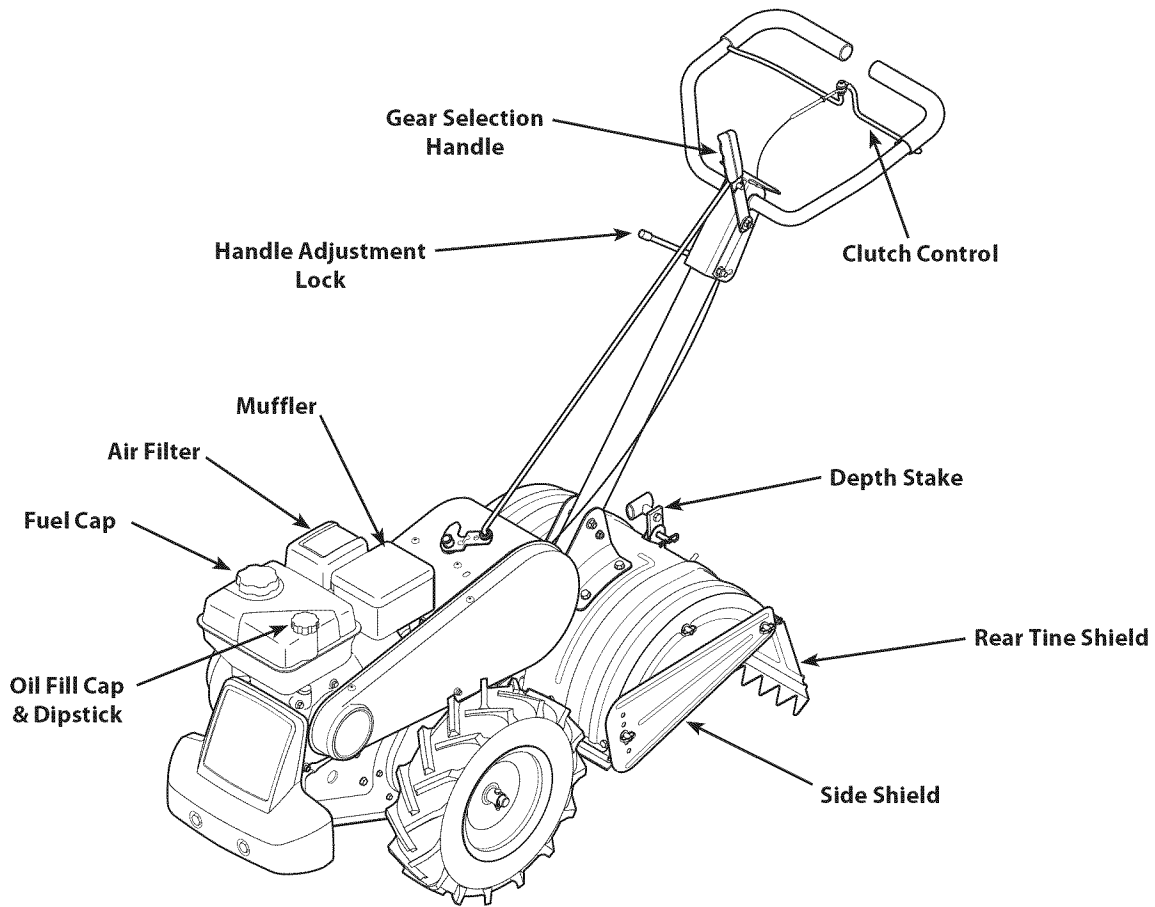


Figure 8

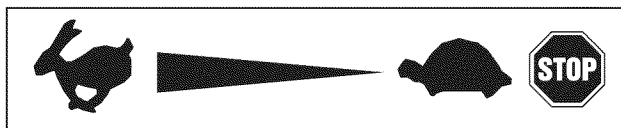
Now that you have set up your tiller for operation, get acquainted with its controls and features. These are described on the next two pages and illustrated on this page. This knowledge will allow you to use your new equipment to its fullest potential.

RECOIL STARTER HANDLE

This handle is used to start the engine.

THROTTLE CONTROL

The throttle control is located on the side of the engine. It regulates the speed of the engine and will shut off the engine when moved into the STOP position.

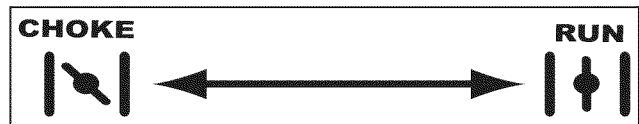


⚠ WARNING

The operation of any tiller can result in foreign objects being thrown into the eyes, which can damage your eyes severely. Always wear safety glasses during operation or while performing any adjustments or repairs.

CHOKE CONTROL

The choke control is found on the side of the engine and is activated by moving the lever to the CHOKE position. Activating the choke control closes the choke plate on the carburetor and aids in starting the engine.



Meets ANSI Safety Standards

Craftsman Tillers conform to the safety standard of the American National Standards Institute (ANSI).

OPERATION

AIR FILTER

The air filter is a device on the engine air intake that prevents dust and dirt entering the engine. See Figure 8.

MUFFLER

Engine exhaust exits the engine via the muffler. See Figure 8.

OIL FILL CAP & DIPSTICK

Engine oil level can be checked and oil added through the oil fill. See Figure 8.

NOTE: This unit was shipped WITHOUT oil in the engine. Oil is included in the plastic bag packed with the manual in with the unit. Add the oil as directed in the Gas & Oil Fill Up section. Check the oil level before each operation to ensure adequate oil is in the engine. For further instructions, refer to the steps in the Engine Maintenance section of this manual.

GEAR SELECTION HANDLE

The gear selection handle is located on the front of the handle assembly. It is used to select NEUTRAL, REVERSE, or one of the FORWARD modes. See Figure 8.

CLUTCH CONTROL

The clutch control is located beneath the handle. Squeezing the clutch handle against the handle engages the wheel and the drive mechanisms. See Figure 8.

DEPTH STAKE

This lever controls the tilling depth of the tines. Pull the cotter pin out from the clevis pin to adjust the tilling depth to five different settings. See Figure 8.

HANDLE ADJUSTMENT LOCK

The handle may be adjusted to the height desired by unlocking the Handle Adjustment Lock, then moving the handle bars to the desired position and then re-locking the Handle Adjustment Lock. See Figure 8.

REAR TINE SHIELD

The rear tine shield protects the operator from flying debris while also smoothing out freshly tilled soil. See Figure 8.

SIDE SHIELD

The side shield is used to maintain clear even rows and may be adjusted to one of five different positions. See Figure 8.

TINES

Your tiller's tines are a series of hoes arranged on a revolving power-driven shaft.

OPERATION

GAS AND OIL FILL-UP

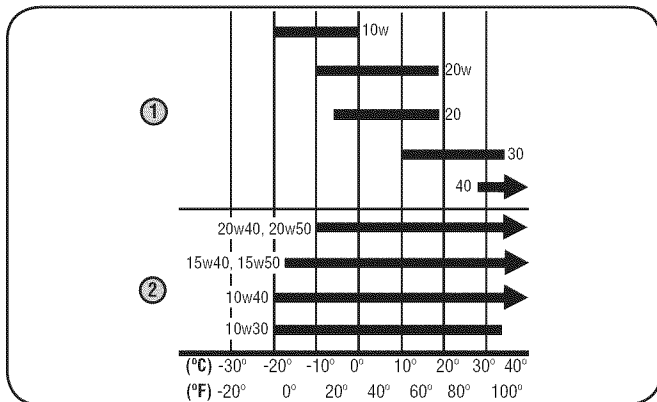
Oil (one bottle shipped with unit)

First Time Use

1. Remove oil fill dipstick.
2. With the tiller on level ground, use a funnel to empty entire contents of oil bottle provided into the engine.
3. Replace oil fill dipstick and tighten.

Subsequent Uses

Only use high quality detergent oil rated with API service classification SF, or SG. Select the oil's SAE viscosity grade according to the expected operating temperature. Follow the chart below.



Ambient Temperature

1. Single Viscosity
2. Multi Viscosity

Although multi-viscosity oils (5W30, 10W30, etc.) improve starting in cold weather, they will result in increased oil consumption when used above 32°F. Check your engine oil level more frequently to avoid possible engine damage from running low on oil.

1. Check the oil level making certain not to rub the dipstick along the inside walls of the oil fill tube. This would result in a false dipstick reading. Wipe dipstick clean with cloth. Replace dipstick into the oil filler neck, but do not screw it in. Remove and check oil level. Refill to FULL mark on dipstick, if necessary. Capacity is approximately 20 oz. Overfilling will cause the engine to smoke profusely and will result in poor engine performance.
2. Replace oil fill dipstick and tighten.
3. Keep oil level at FULL. Running the engine with too little oil can result in permanent engine damage.

⚠ WARNING

Use extreme care when handling gasoline. Gasoline is extremely flammable and the vapors are explosive. Never fuel machine indoors or while the engine is hot or running. Extinguish cigarettes, cigars, pipes, and other sources of ignition.

Gasoline

1. Remove fuel cap from the fuel tank.
2. Make sure the container from which you will pour the gasoline is clean and free from rust or foreign particles. Never use gasoline that may be stale from long periods of storage in its container. Gasoline that has been sitting for any period longer than four weeks should be considered stale.

⚠ CAUTION

Alcohol blended fuels (called gasohol or using ethanol or methanol) can attract moisture which leads to separation and formation of acids during storage. Acidic gas can damage the fuel system of an engine while in storage.

⚠ CAUTION

To avoid engine problems, the fuel system should be emptied before storage for 30 days or longer. Drain the gas tank, start the engine and let it run until the fuel lines and carburetor are empty. Use fresh fuel next season. See STORAGE Instructions for additional information.



⚠ CAUTION

Never use engine or carburetor cleaner products in the fuel tank or permanent damage may occur.

3. Fill fuel tank with clean, fresh, unleaded regular gasoline only. Do not use gasoline containing METHANOL. Replace fuel cap.

NOTE: Check the fuel level periodically to avoid running out of gasoline while operating the tiller.

TO START ENGINE

1. Attach spark plug wire and rubber boot to spark plug.
2. Fill tank to no more than 1/2 inch below bottom of filler neck to provide space for fuel expansion.
3. Place the gear selection lever in NEUTRAL.
4. Move the choke lever on the engine to CHOKE  position. (A warm engine may not require choking.) See Figure 9.
5. Move throttle control to START/RUN (Rabbit)  position. See Figure 9.
6. Standing on the side of the unit, grasp starter handle and pull rope out until you feel a drag.

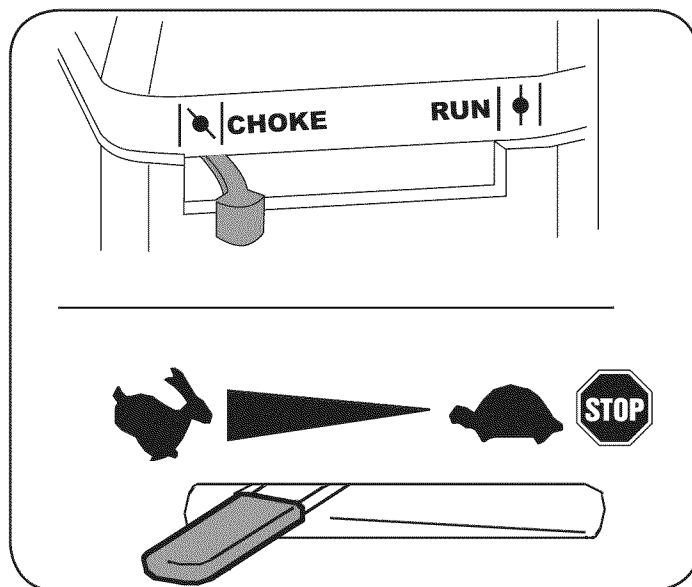




Figure 9



OPERATION

- Pull the rope with a rapid, continuous, full arm stroke. Keep a firm grip on the starter handle. Let the rope rewind slowly.
 - Repeat, if necessary, until engine starts. When engine starts, move choke control gradually toward the RUN  position..
 - If engine falters, move choke control back toward the CHOKE  position and repeat steps 5 through 8.
 - ALWAYS keep the throttle control in the START/RUN (Rabbit position) when operating the tiller.
- With the tiller balanced, push sideways on the handlebar to steer in the direction of the turn. After turning, slowly lower the tines into the soil to resume tilling.

⚠ WARNING

Be certain spark plug wire is disconnected and grounded against the engine when performing any adjustments.

TO STOP ENGINE

- To stop the wheels and tines, release the Clutch Control.
- Move throttle control lever to slow (turtle)  position. Whenever possible, gradually reduce engine speed before stopping engine.
- Move throttle control lever to STOP  or OFF position.
- Disconnect spark plug wire and ground it against the engine to prevent accidental starting while the equipment is unattended.

⚠ WARNING

Do not push down on the handlebars to try to make the tiller till more deeply. This prevents the wheels from holding the tiller back and can allow the tines to rapidly propel the tiller, which could result in loss of control, property damage, or personal injury.

TO ENGAGE DRIVE & TINES

- For forward motion of the wheels use the gear selection handle and for power to the tines pull the Clutch Control up against the handlebar.
- When tilling, let the wheels pull the machine while the tines dig. Walk slowly behind the tiller allowing it to move at its own pace while keeping a secure grip on the handlebar with your elbows flexed.
- Release the bail to stop the wheels and tines.

To move in reverse: (Do not till in reverse)

- Release the Clutch Control. Then lift the handlebar until the tines are off the ground.
- Pull back on the gear selection handle, and walk backwards with the machine.

Note: In reverse mode, the tines will reverse rotation.

TURNING THE TILLER

- Practice turning the tiller in a level, open area. Be very careful to keep your feet and legs away from the tines.
- To begin a turn, lift the handlebars until the tines are out of the ground and the engine and tines are balanced over the wheels.

SETTING THE DEPTH

Tilling depth is controlled by the depth stake which can be adjusted to five different settings. Adjust the side shields as you adjust the depth stake.

- When using the tiller for the first time, use the second adjustment hole from the top (1" of tilling depth).
- When breaking up sod and for shallow cultivation, use the setting which gives 1" of tilling depth (second hole from the top). Place the side shields in their lowest position.
- For further depth, raise the depth stake and side shields and also make one or two more passes over the area.
- When tilling loose soil, the depth stake may be raised to its highest position (use bottom adjustment hole) to give the deepest tilling depth. Raise the side shields to their highest position.
- To transport tiller, lower the depth stake (use top adjustment hole).

To adjust the depth stake, remove the clevis pin and cotter pin. Move the depth stake to the desired setting and secure with the clevis pin and cotter pin. See Figure 10.

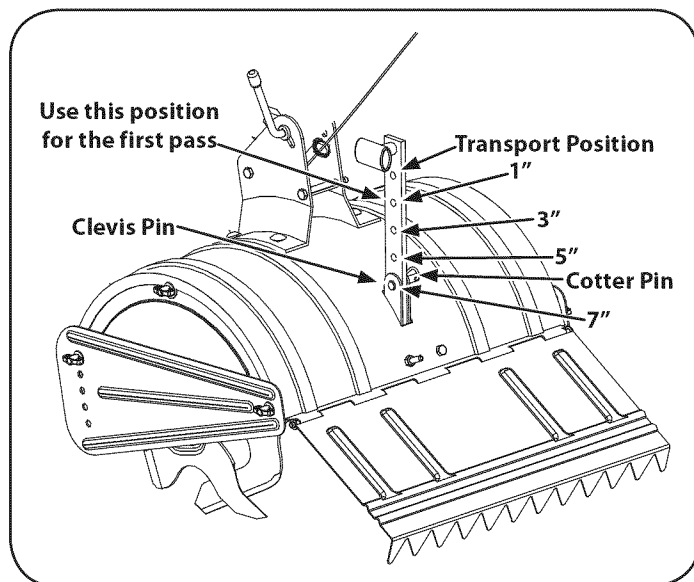


Figure 10

OPERATION

To adjust the side shields, remove the wing nuts. Move the side shield to the desired position and replace the wing nuts. Tighten securely. See Figure 11.

ADJUSTING THE HANDLE HEIGHT

The handle should be adjusted so that when the tiller is digging 3-4" into the soil, the handle falls to about waist-high. To adjust handle, simply unlock the Handle Adjustment Lock, then move the handle bars to the desired position and then re-lock the Handle Adjustment Lock.

⚠ WARNING

Before clearing the tines by hand, stop the engine, allow all moving parts to stop and disconnect the spark plug wire. Failure to follow this warning could result in personal injury.

CLEARING THE TINES

- The tines have a self-clearing action which eliminates most of the tangling of debris. However, occasionally dry grass, stringy stalks or tough vines may become tangled. Follow these procedures to help avoid tangling and to clear the tines, if necessary.
- To reduce tangling, set the depth regulator deep enough to get maximum "chopping" action as the tines chop the material against the ground. Also, try to till under crop residues or cover crops while they are green, moist and tender.
- While tilling, try swaying the handlebars from side to side (about 6" to 12"). This "fishtailing" action often clears the tines of debris.

⚠ WARNING

Before tilling, contact your telephone or utilities company and inquire if underground equipment or lines are used on your property. Do not till near buried electric cables, telephone lines, pipes or hoses.

TILLING TIPS & TECHNIQUES

Tilling Depth

- This is a DDT (dual-direction tine) tiller. As the wheels pull forward, the tines rotate backward. As the wheels pull rearward, the tines rotate forward. This creates an "uppercut" tine action which digs deeply, uprooting soil and weeds. Don't overload the engine, but dig as deeply as possible on each pass. On later passes, the wheels may tend to spin in the soft dirt. Help them along by lifting up slightly on the handlebar (one hand, palm up, works most easily).
- Avoid the temptation to push down on the handlebars in an attempt to force the tiller to dig deeper. Doing so takes the weight off the powered wheels, causing them to lose traction. Without the wheels to hold the tiller back, the tines will attempt to propel towards the operator or away from the operator.

- When cultivating (breaking up the surface soil around the plants to destroy weeds, See Figure 12), adjust the tines to dig only 1" to 2" deep. Using the shallow tilling depth helps prevent injury to the plants whose roots often grow close to the surface. If needed, lift up on the handlebars slightly to prevent the tines from digging too deeply. (Cultivating on a regular basis not only eliminates weeds, it also loosens and aerates the soil for better moisture absorption and faster plant growth.) Watering the garden area a few days prior to tilling will make tilling easier, as will letting the newly worked soil set for a day or two before making a final, deep tilling pass.

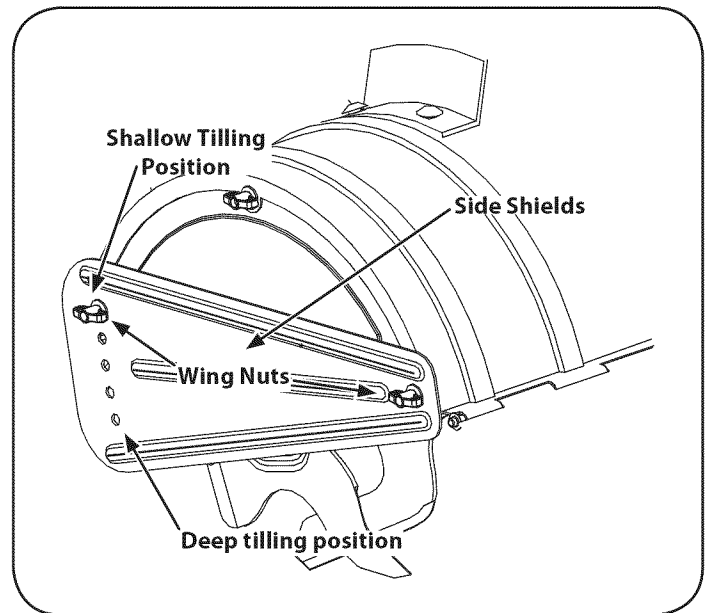


Figure 11

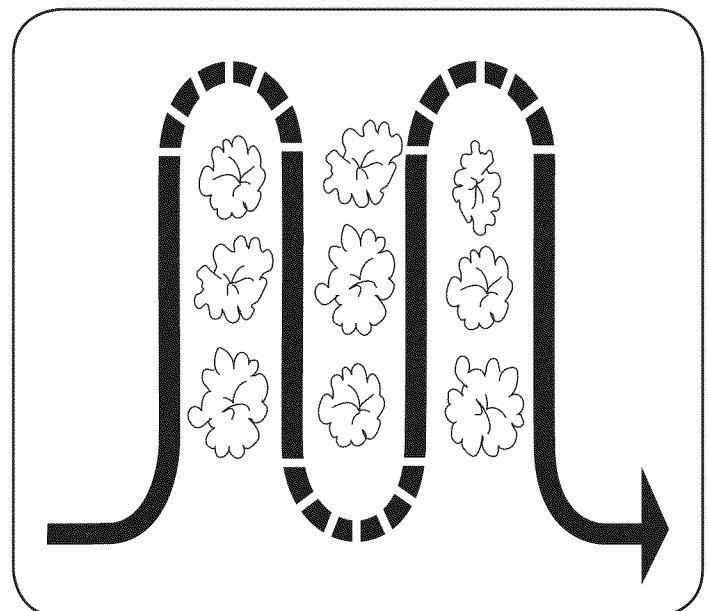


Figure 12

OPERATION

Choosing the Correct Wheel & Tine Speeds

With experience, you will find the tilling depth and tilling speed combination that is best for your garden. Set the engine throttle lever at a speed to give the engine adequate power and yet allow it to operate at the slowest possible speed until you have achieved the maximum tilling depth you desire. Faster engine speeds may be desirable when making final passes through the seedbed or when cultivating. Selection of the correct engine speed, in relation to the tilling depth, will ensure a sufficient power level to do the job without causing the engine to labor.

Suggested Tilling Patterns

- When preparing a seedbed, go over the same path twice in the first row, then overlap one-half the tiller width on the rest of the passes. See Figure 13.
- When finished in one direction, make a second pass at a right angle. See Figure 14. Overlap each pass for the best results (in very hard ground, it may take three or four passes to thoroughly pulverize the soil.)
- If the garden size will not permit lengthwise and then crosswise tilling, then overlap the first passes by one-half a tiller width, followed by successive passes at one-quarter width. See Figure 15.

WARNING

Do not operate the tiller on a slope too steep for safe operation. Till slowly and be sure you have good footing. Never permit the tiller to freewheel down slopes. Failure to follow this warning could result in personal injury.

Tilling on a Slope

1. Till only on moderate slopes, never on steep ground where the footing is difficult.
2. Tilling up and down slopes is recommended over terracing. Tilling vertically on a slope allows maximum planting area and also leaves room for cultivating.

NOTE: When tilling on slopes, be sure the correct oil level is maintained in the engine (check every one-half hour of operation). The incline of the slope will cause the oil to slant away from its normal level and this can starve engine parts of required lubrication. Keep the motor oil level at the full point at all times.

Tilling Up and Down a Slope

1. To keep soil erosion to a minimum, be sure to add enough organic matter to the soil so that it has good moistureholding texture and try to avoid leaving footprints or wheel marks.
2. When tilling vertically, try to make the first pass uphill as the tiller digs more deeply going uphill than it does downhill. In soft soil or weeds, you may have to lift the handlebars slightly while going uphill. When going downhill, overlap the first pass by about one-half the width of the tiller.

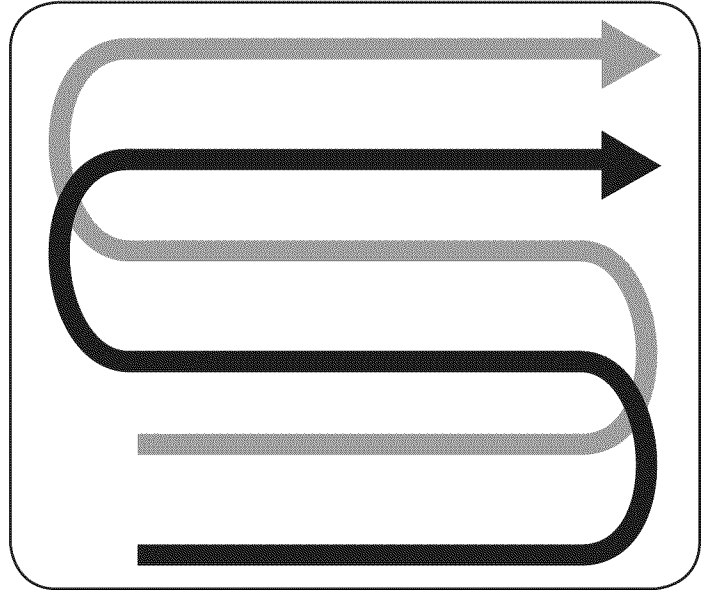


Figure 13

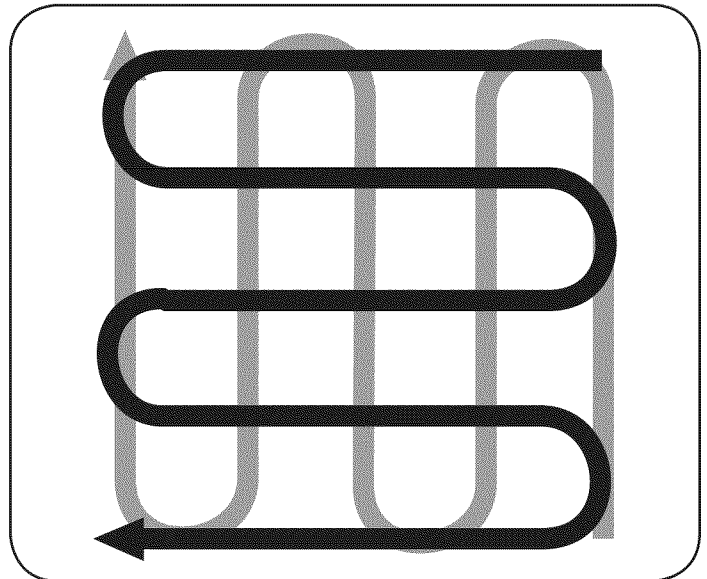


Figure 14

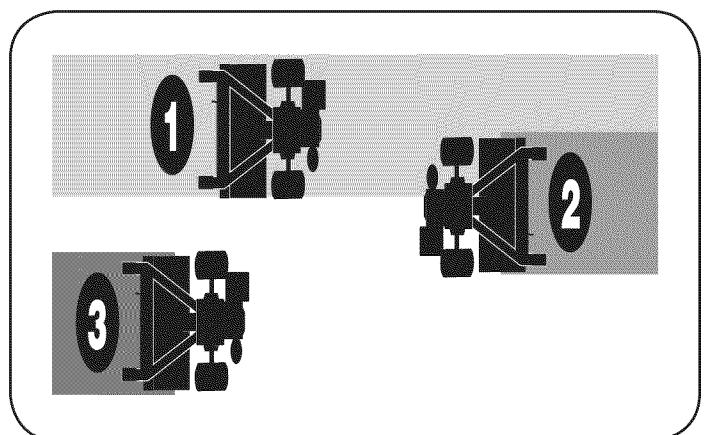


Figure 15

OPERATION

Terrace Gardening

1. To create a terrace, start at the top of the slope and work down. Go back and forth across the first row. See Figure 16.
2. Each succeeding lower terrace is started by walking below the terrace you are preparing. For added stability of the tiller, always keep the uphill wheel in the soft, newly tilled soil. Do not till the last 12" or more of the downhill outside edge of each terrace. This untilled strip helps prevent the terraces from breaking apart and washing downhill. It also provides a walking path between the rows.

⚠ WARNING

Loading and unloading the tiller into a vehicle is potentially hazardous and doing so is not recommended unless absolutely necessary, as this could result in personal injury or property damage.

Loading & Unloading the Tiller

If you must load or unload the tiller, follow the guidelines given below:

- Before loading or unloading the tiller, stop the engine, wait for all parts to stop moving, disconnect the spark plug wire and let the engine and muffler cool.
- The tiller is too heavy and bulky to be safely lifted by one person. Two or more people should share the load.
- Use sturdy ramps and manually — with the engine shut off — roll the tiller into and out of the vehicle. Two or more people are needed to do this.
- The ramps must be strong enough to support the combined weight of the tiller and any handlers. The ramps should provide good traction to prevent slipping; they should also have side rails to guide the tiller along the ramps; and they should have a locking device to secure them to the vehicle.
- The handlers should wear sturdy footwear that will help to prevent slipping.
- Position the loading vehicle so that the ramp angle is as flat as possible (the less incline to the ramp, the better). Turn the vehicle's engine off and apply the parking brake.
- When going up the ramps, stand in the normal operating position and push the tiller ahead of you. Have a person at each side to turn the wheels.
- When going down the ramps, walk backward with the tiller following you. Keep alert for any obstacles behind you. Position a person at each wheel to control the speed of the tiller. Never go down the ramps tiller-first, as the tiller could tip forward.
- Place wooden blocks on the downhill side of the wheels if you need to stop the tiller from rolling down the ramp. Also, use the blocks to temporarily keep the tiller in place on the ramps (if necessary), and to chock the wheels in place after the tiller is in the vehicle.
- After loading the tiller, prevent it from rolling chocking the wheels with blocks and securely tie the tiller down.

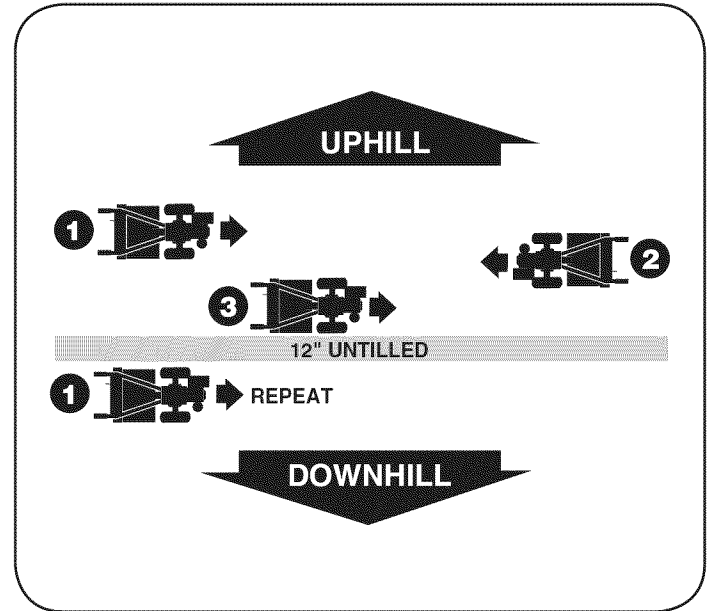


Figure 16

SERVICE AND MAINTENANCE

MAINTENANCE SCHEDULE

WARNING

Before performing any type of maintenance/service, disengage all controls and stop the engine. Wait until all moving parts have come to a complete stop. Disconnect spark plug wire and ground it against the engine to prevent unintended starting. Always wear safety glasses during operation or while performing any adjustments or repairs.

Follow the maintenance schedule given below. This chart describes service guidelines only. Use the Service Log column to keep track of completed maintenance tasks. **To locate the nearest Sears Service Center or to schedule service, simply contact Sears at 1-800-4-MY-HOME®.**

Interval	Item	Service	Service Log
Each Use	<ol style="list-style-type: none"> Engine oil level Loose or missing hardware Engine and around muffler Air cleaner 	<ol style="list-style-type: none"> Check Tighten or replace Clean Check 	
1st 2 hours	<ol style="list-style-type: none"> Drive belt tension Nuts and Bolts 	<ol style="list-style-type: none"> Check Check 	
1st 5 hours	<ol style="list-style-type: none"> Engine oil 	<ol style="list-style-type: none"> Change 	
Every 10 hours	<ol style="list-style-type: none"> Drive belt tension Unit 	<ol style="list-style-type: none"> Check Lubricate 	
Every 25 hours	<ol style="list-style-type: none"> Spark plug 	<ol style="list-style-type: none"> Check 	
Every 30 hours	<ol style="list-style-type: none"> Tines for wear Tire pressure 	<ol style="list-style-type: none"> Check Check 	
Every 50 hours	<ol style="list-style-type: none"> Engine oil† 	<ol style="list-style-type: none"> Change 	
Every 100 hours	<ol style="list-style-type: none"> Air cleaner Spark Plug 	<ol style="list-style-type: none"> Change Change 	
Before Storage	<ol style="list-style-type: none"> Fuel system 	<ol style="list-style-type: none"> Run engine until it stops from lack of fuel or add a gasoline additive to the gas in the tank. 	

† Change oil every twenty five hours when operating engine under heavy load or in high temperatures.

WARNING

Always stop engine and disconnect spark plug wire before performing any maintenance or adjustments. Always wear safety glasses during operation or while performing any adjustments or repairs.

GENERAL RECOMMENDATIONS

- Always observe all safety rules found on product labels and in this operator's manual when performing any maintenance. Safety rules can be found on the product labels and in this Operator's Manual beginning on page 3.
- The warranty on this tiller does not cover items that have been subjected to operator abuse or negligence. To receive full value from warranty, operator must maintain the equipment as instructed here.
- Some adjustments will have to be made periodically to maintain your unit properly.
- Periodically check all fasteners and make sure these are tight.

ENGINE MAINTENANCE

WARNING

DO NOT check for spark with spark plug removed. DO NOT crank engine with spark plug removed.

WARNING

If the engine has been running, the muffler will be very hot. Be careful not to touch the muffler.

CAUTION

The spark plug must be securely tightened. An improperly tightened spark plug can become very hot and may damage the engine.

Checking the Spark Plug

To ensure proper engine operation, the spark plug must be properly gapped and free of deposits. Check the spark plug every 25 hours and replace it every 100 hours.

SERVICE AND MAINTENANCE

1. Remove the spark plug boot and use a spark plug wrench to remove the plug. See Figure 17.
2. Visually inspect the spark plug. Discard the spark plug if there is apparent wear, or if the insulator is cracked or chipped. Clean the spark plug with a wire brush if it is to be reused.
3. Measure the plug gap with a feeler gauge. Correct as necessary by bending side electrode. See Figure 18. The gap should be set to 0.030 in.
4. Check that the spark plug washer is in good condition and thread the spark plug in by hand to prevent cross-threading.
5. After the spark plug is seated, tighten with a spark plug wrench to compress the washer.

NOTE: When installing a new spark plug, tighten 1/2 turn after the spark plug seats to compress the washer. When reinstalling a used spark plug, tighten 1/8-1/4 turn after the spark plug seats to compress the washer.

⚠ WARNING

Never use gasoline or low flash point solvents for cleaning the air cleaner element. A fire or explosion could result.

Servicing the Air Cleaner

The air cleaner prevents damaging dirt, dust, etc., from entering the carburetor and being forced into the engine and is important to engine life and performance. Never run the engine without an air cleaner completely assembled. Check the air cleaner before each use.

Paper filters cannot be cleaned and must be replaced once a year or every 100 operating hours; more often if used in extremely dusty conditions.

1. Press the tab on the air filter cover, lift the cover and remove the air filter. See Figure 19.
2. Discard old air filter.
3. Install new air filter.
4. Close the cover.

NOTE: If the filter is torn or damaged in any way, replace it.

⚠ CAUTION

Do not spray engine with water to clean because water could contaminate fuel. Using a garden hose or pressure washing equipment can also force water into the muffler opening. Water that passes through the muffler can enter the cylinder, causing damage.

⚠ WARNING

Accumulation of debris around muffler could cause a fire. Inspect and clean before every use.

Cleaning the Engine

If the engine has been running, allow it to cool for at least half an hour before cleaning. Periodically remove dirt build-up from the engine. Clean around the muffler. Clean with a brush or compressed air.

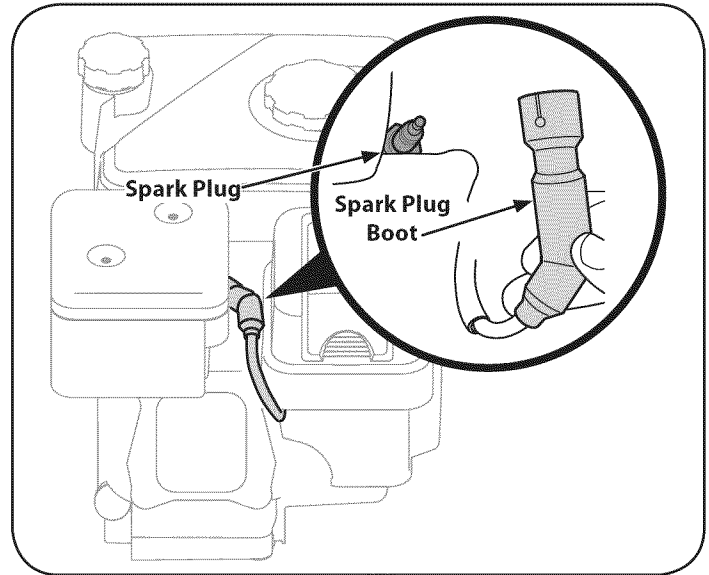


Figure 17

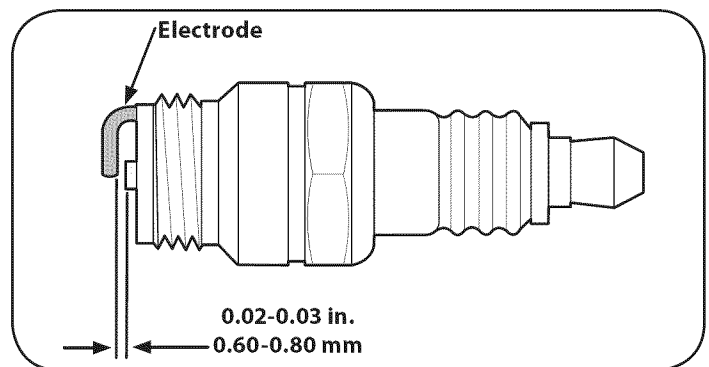


Figure 18

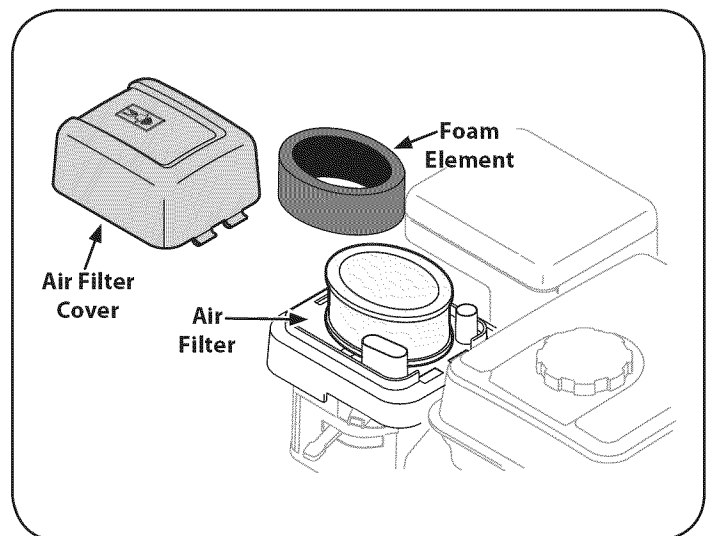


Figure 19

SERVICE AND MAINTENANCE

Check Engine Oil

1. Check oil before each use. Stop engine and wait several minutes before checking oil level. With engine on level ground, the oil must be to FULL mark on dipstick.
2. Remove oil fill dipstick and wipe clean with cloth.
3. Replace dipstick into the oil filler neck, but do not screw it in. Remove and check oil level. Level should be at FULL mark.
4. If needed, add oil slowly - recheck. Do not overfill.
5. Wipe dipstick clean, replace but do not tighten. Remove and check oil level. Oil level should be at FULL line on dipstick.
6. Replace and tighten dipstick firmly before starting engine.

⚠ CAUTION

DO NOT use non-detergent oil or 2-stroke engine oil. It could shorten the engine's service life.

Change Engine Oil

- SAE 10W-30 is recommended for general, all temperature use. When adding oil to the engine, refer to viscosity chart in the operation section. Use a 4-stroke, or an equivalent high detergent, premium quality motor oil certified to meet or exceed U.S. automobile manufacturer's requirements for service classification SG, SF. Motor oils classified SG, SF will show this designation on the container.
- Change engine oil after the first five to eight hours of operation, and every fifty hours or every season thereafter. Change oil every twenty five hours when operating engine under heavy load or in high temperatures.

⚠ WARNING

Before tipping engine or equipment to drain oil, drain fuel from tank by running engine until fuel tank is empty.

⚠ WARNING

Used motor oil may cause skin cancer if repeatedly left in contact with the skin for prolonged periods. Although this is unlikely unless you handle used oil on a daily basis, it is still advisable to thoroughly wash your hands with soap and water as soon as possible after handling used oil.

To Drain Oil

1. Drain the fuel from the tank by running the engine until the fuel tank is empty. Be sure fuel fill cap is secure.
2. With engine OFF but still warm, disconnect spark plug wire and keep it away from spark plug.
3. Remove oil drain end cap located at the base of the engine, and drain oil into an appropriate receptacle. See Figure 20.

⚠ WARNING

Used oil is a hazardous waste product. Dispose of used oil properly. Do not discard with household waste. Check with your local authorities or Sears Service Center for safe disposal/recycling facilities.

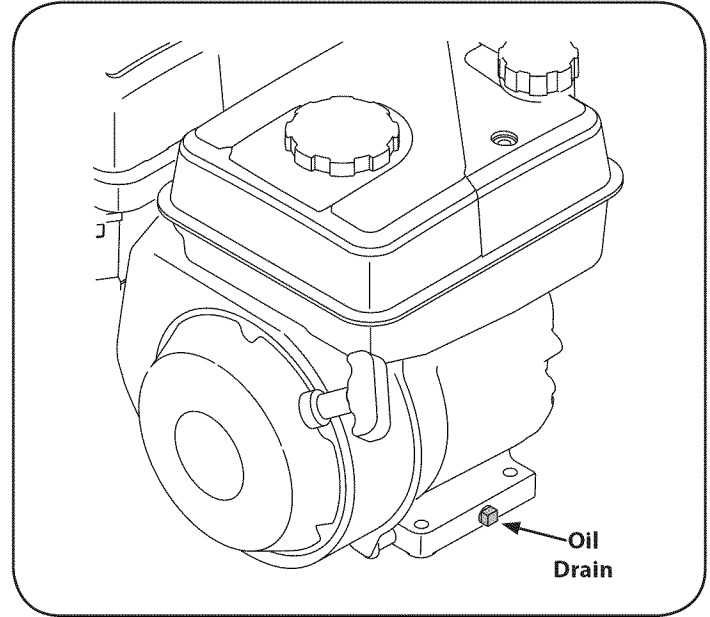


Figure 20

4. Replace and tighten the oil drain end cap.
5. When engine is drained of all oil, place engine level. Refill with approximately 20 oz. of fresh oil. Fill to FULL line on dipstick. Do not overfill. Refer to Check Engine Oil in this SERVICE & MAINTENANCE section.
6. Replace spark plug wire before starting.

SERVICE AND MAINTENANCE

Transmission Lubrication

The transmission is pre-lubricated and sealed at the factory. It requires no checking unless the transmission is disassembled. To fill with grease, lay the right half of the transmission on its side, add 22 ounces of Benalene 920 grease, and assemble the left half to it. See an authorized Sears Service Center to have the transmission lubricated or to schedule service, simply contact Sears at 1-800-4-MY-HOME®.

LUBRICATION

After every 10 operating hours, oil or grease the lubrication points. Use clean lubricating oil (#30 weight motor oil is suitable) and clean general purpose grease (grease containing a metal lubricant is preferred, if available). See Figure 21.

- Remove the wheels, clean the wheel shaft and apply a thin coating of grease.
- Grease the back, front and sides of the depth regulator lever.
- Remove the tines and clean the tine shaft. Use a file or sandpaper to gently remove any rust, burrs or rough spots (especially around the holes in the shaft). Apply grease to the ends of the shaft before installing the tines.
- Oil the threads on the handlebar adjustment lock and the handlebar attaching screws.
- Oil the pivot point on the clutch handle and the clutch cable.

TIRE PRESSURE

Check the air pressure in both tires. The air pressure should be between 15-20 PSI. Keep both tires equally inflated to help prevent machine from pulling to one side.

HARDWARE

Check for loose or missing hardware after every 10 operating hours and tighten or replace — as needed — before reusing the tiller. Be sure to check the screws underneath the tiller hood that secure the transmission cover and the Depth Regulator Lever to the transmission.

⚠ WARNING

Before performing any type of maintenance on the machine, wait for all parts to stop moving and disconnect the spark plug wire. Failure to follow this instruction could result in personal injury or property damage.

BELT REPLACEMENT

Your tiller has been engineered with a belt designed for long life and optimal performance. Use only a factory authorized belt as an “over-the-counter” belt may not perform satisfactorily. The procedure requires average mechanical ability and commonly available tools.

To replace the Drive belt, follow these steps:

1. Remove the belt cover from the left side of the tiller by removing the two screws from the top of the belt cover. See Figure 22.
2. Remove the hex cap nut and flat washer from the front side of the belt cover. Remove the hex head screw at the back of the cover. See Figure 22.

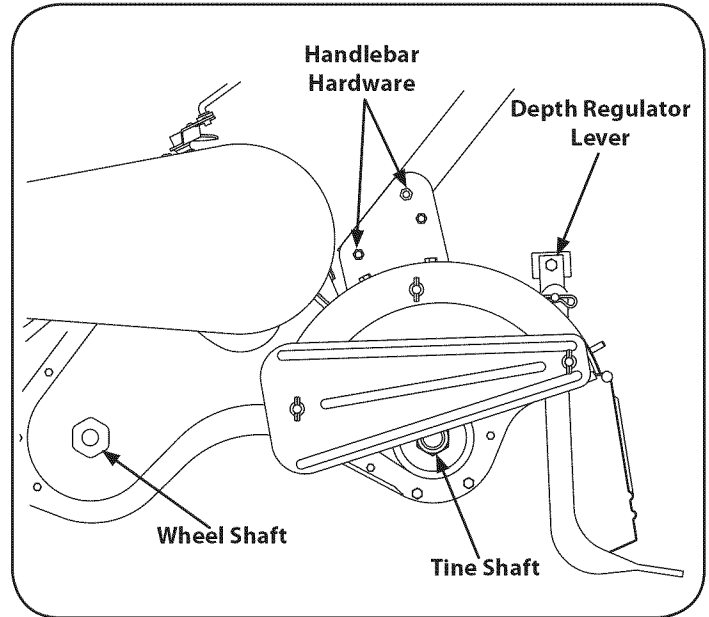


Figure 21

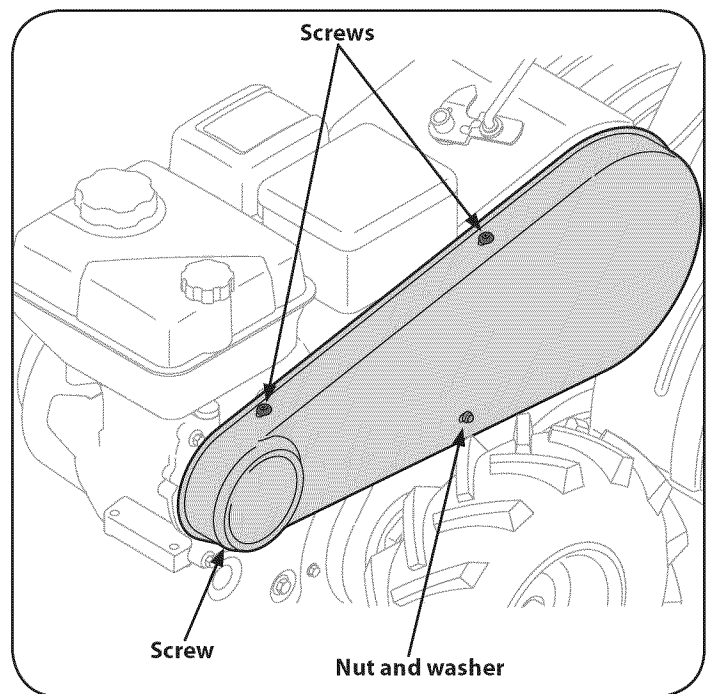


Figure 22

SERVICE AND MAINTENANCE

3. Remove the belt keeper assembly located behind the engine pulley by removing the two hex bolts and lock washers. See Figure 23.
4. Remove the idler pulley by removing the bolt and nut. See Figure 23.
5. Remove the old belt and install the new belt. Follow the instructions in reverse order to re-install the belt keeper and belt cover. See Figure 23.

NOTE: Upon reassembly, make certain the belt is routed over the idler pulley and inside of the belt keepers by the engine pulley.

TINES

The tines will wear with use and should be inspected at the beginning of each tilling season and after every 30 operating hours. The tines can be replaced. Refer to the Parts List section of this manual for part numbers.

Tine Inspection

With use, the tines will become shorter, narrower and pointed. Badly worn tines will result in a loss of tilling depth, and reduced effectiveness when chopping up and turning under organic matter.

Removing/Installing a Tine Assembly

1. Remove the tine shield end covers and side shields by removing the three wing nuts on each side that secure them.
2. A tine assembly consists of a left hand tine and a right hand tine.
NOTE: The tine assembly moves in a counter-rotating motion with the sharp edges of the tines positioned to enter the soil first when counter-rotating. Note this position of the tines for reinstallation of the new tine assemblies.
3. To remove a tine assembly, simply remove the internal cotter pin securing the clevis pin. See Figure 24.
4. Remove the clevis pin and slide the assembly to the outside of the unit and off of the tine shaft.
5. Before reinstalling the tine assembly, inspect the tine shaft for rust, rough spots or burrs. Lightly file or sand, as needed. Apply a thin coat of grease to the shaft.
6. Install each tine assembly so that the cutting (sharp) edge of the tines will enter the soil first when the tiller moves forward. Keep in mind that these tines are counter-rotating, so secure the tine assembly to the tine shaft using the clevis pin and internal cotter pin.

ADJUSTMENTS

Handle

The handle may be adjusted to the desired height. Refer to the Operation section for details.

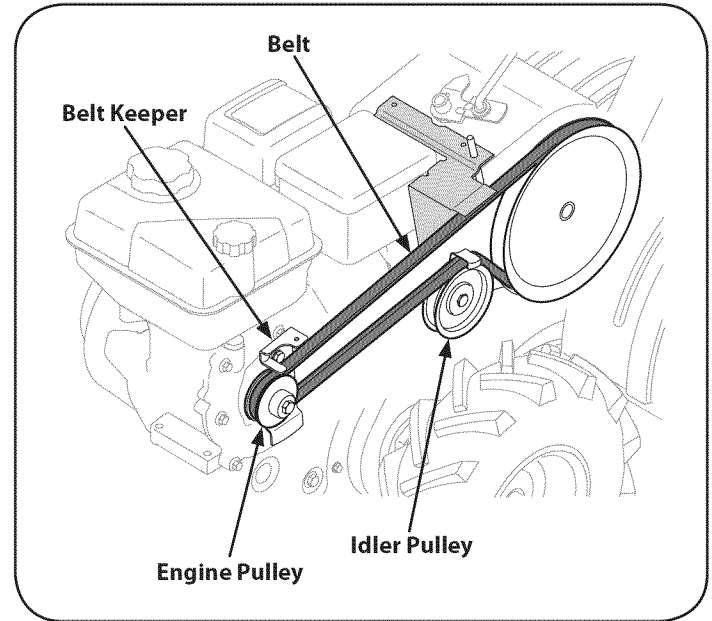


Figure 23

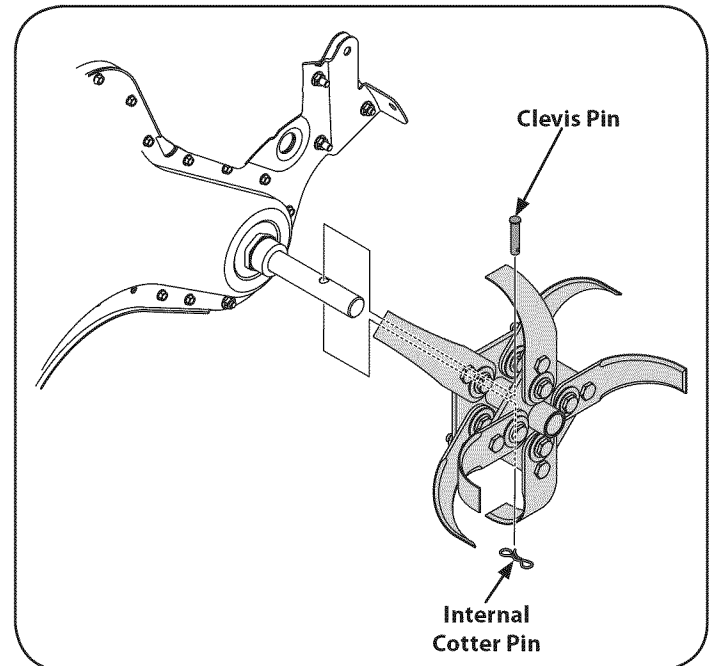


Figure 24

Clutch Cable

Refer to the Assembly section for instructions on adjusting the clutch cable.

Idler Pulley Rod

Refer to the Assembly section for instructions on adjusting the idler pulley rod.

OFF-SEASON STORAGE

WARNING

Never store tiller with fuel in tank indoors or in poorly ventilated areas where fuel fumes may reach an open flame, spark, or pilot light as on a furnace, water heater, clothes dryer, or gas appliance.

WARNING

Never leave engine unattended while it is running.

PREPARING THE ENGINE

Engines stored between 30 and 90 days need to be treated with a gasoline stabilizer and engines stored over 90 days need to be drained of fuel to prevent deterioration and gum from forming in fuel system or on essential carburetor parts. If the gasoline in your engine deteriorates during storage, you may need to have the carburetor, and other fuel system components, serviced or replaced.

1. Remove all fuel from tank by running engine until it stops from lack of fuel.
2. Change the oil. See Change Engine Oil in SERVICE AND MAINTENANCE section.
3. Remove spark plug and pour about a 1/2 ounce of engine oil into the cylinder. Replace spark plug and crank it slowly to distribute oil.
4. Clean debris from around the engine and the muffler. Touch up any damaged paint, and coat other areas that may rust with a light film of oil.
5. Store in a clean, dry and well ventilated area away from any appliance that operates with a flame or pilot light, such as a furnace, water heater, or clothes dryer. Also avoid any area with a spark producing electric motor, or where power tools are operated.
6. If possible, also avoid storage areas with high humidity, because that promotes rust and corrosion.
7. Keep the engine level in storage. Tilting can cause fuel or oil leakage.

PREPARING THE TILLER

When the tiller won't be used for an extended period, prepare it for storage as follows:

1. Clean the tiller and engine.
2. Follow the lubrication recommendations and check for loose parts and hardware.
3. Store the tiller in a clean, dry area.
4. Never store the tiller with fuel in the fuel tank in an enclosed area where gas fumes could reach an open flame or spark, or where ignition sources are present (space heaters, hot water heaters, furnaces, etc.).

TROUBLESHOOTING

⚠ WARNING

Before performing any type of maintenance/service, disengage all controls and stop the engine. Wait until all moving parts have come to a complete stop. Disconnect spark plug wire and ground it against the engine to prevent unintended starting. Always wear safety glasses during operation or while performing any adjustments or repairs.

Problem	Cause	Remedy
Engine fails to start	<ol style="list-style-type: none"> 1. Spark plug wire disconnected. 2. Engine Throttle Control Lever incorrectly set. 3. Fuel tank empty or stale fuel. 4. Dirty air filter. 5. Defective or incorrectly gapped spark plug. 6. Misadjusted throttle control. 7. Dirt or water in fuel tank. 	<ol style="list-style-type: none"> 1. Reconnect wire. 2. Put lever in START position. 3. Fill tank with clean, fresh gasoline. 4. Clean or replace filter. 5. Clean, adjust gap, or replace. 6. Contact your Sears Parts & Repair Center. 7. Contact your Sears Parts & Repair Center.
Engine runs erratically	<ol style="list-style-type: none"> 1. Defective or incorrectly gapped spark plug. 2. Dirty air filter(s). 3. Carburetor out of adjustment. 4. Stale gasoline. 5. Dirt or water in fuel tank. 6. Engine cooling system clogged. 	<ol style="list-style-type: none"> 1. Clean, adjust gap, or replace. 2. Clean or replace. 3. Contact your Sears Parts & Repair Center. 4. Replace with fresh gasoline. 5. Contact your Sears Parts & Repair Center. 6. Clean air cooling system.
Engine overheats	<ol style="list-style-type: none"> 1. Engine cooling system clogged. 2. Carburetor out of adjustment. 3. Oil level is low. 	<ol style="list-style-type: none"> 1. Clean air cooling area. 2. Contact your Sears Parts & Repair Center. 3. Check oil level.
Engine does not shut off	<ol style="list-style-type: none"> 1. Misadjusted throttle control or ignition switch. 	<ol style="list-style-type: none"> 1. Contact your Sears Parts & Repair Center.
Wheels/Tines will not turn	<ol style="list-style-type: none"> 1. Improper use of controls. 2. Worn, broken, or misadjusted drive belt(s). 3. Internal transmission wear or damage. 4. Bolt loose in transmission pulley. 	<ol style="list-style-type: none"> 1. Review Operation section. 2. Replace or adjust belts. 3. Contact your Sears Parts & Repair Center. 4. Tighten bolt.
Tines turn, but wheels don't	<ol style="list-style-type: none"> 1. Bolt loose in transmission pulley. 2. Internal transmission wear or damage. 	<ol style="list-style-type: none"> 1. Tighten bolt. 2. Contact your Sears Parts & Repair Center.
Wheels turn, but tines don't	<ol style="list-style-type: none"> 1. Tine holder mounting hardware missing. 2. Bolt loose in transmission pulley. 3. Internal transmission wear or damage. 	<ol style="list-style-type: none"> 1. Replace hardware. 2. Tighten bolt. 3. Contact your Sears Parts & Repair Center.
Poor tilling performance	<ol style="list-style-type: none"> 1. Worn tines. 2. Improper Depth Regulator setting. 3. Incorrect throttle setting. 4. Forward Drive Belt slipping. 	<ol style="list-style-type: none"> 1. Replace Tines. 1. See "Tilling Tips & Techniques." 1. See Service & Maintenance Section. 1. See Service & Maintenance Section.

NEED MORE HELP?

You'll find the answer and more on managemyhome.com – for free!

- Find this and all your other product manuals online.
- Get answers from our team of home experts.
- Get a personalized maintenance plan for your home.
- Find information and tools to help with home projects.

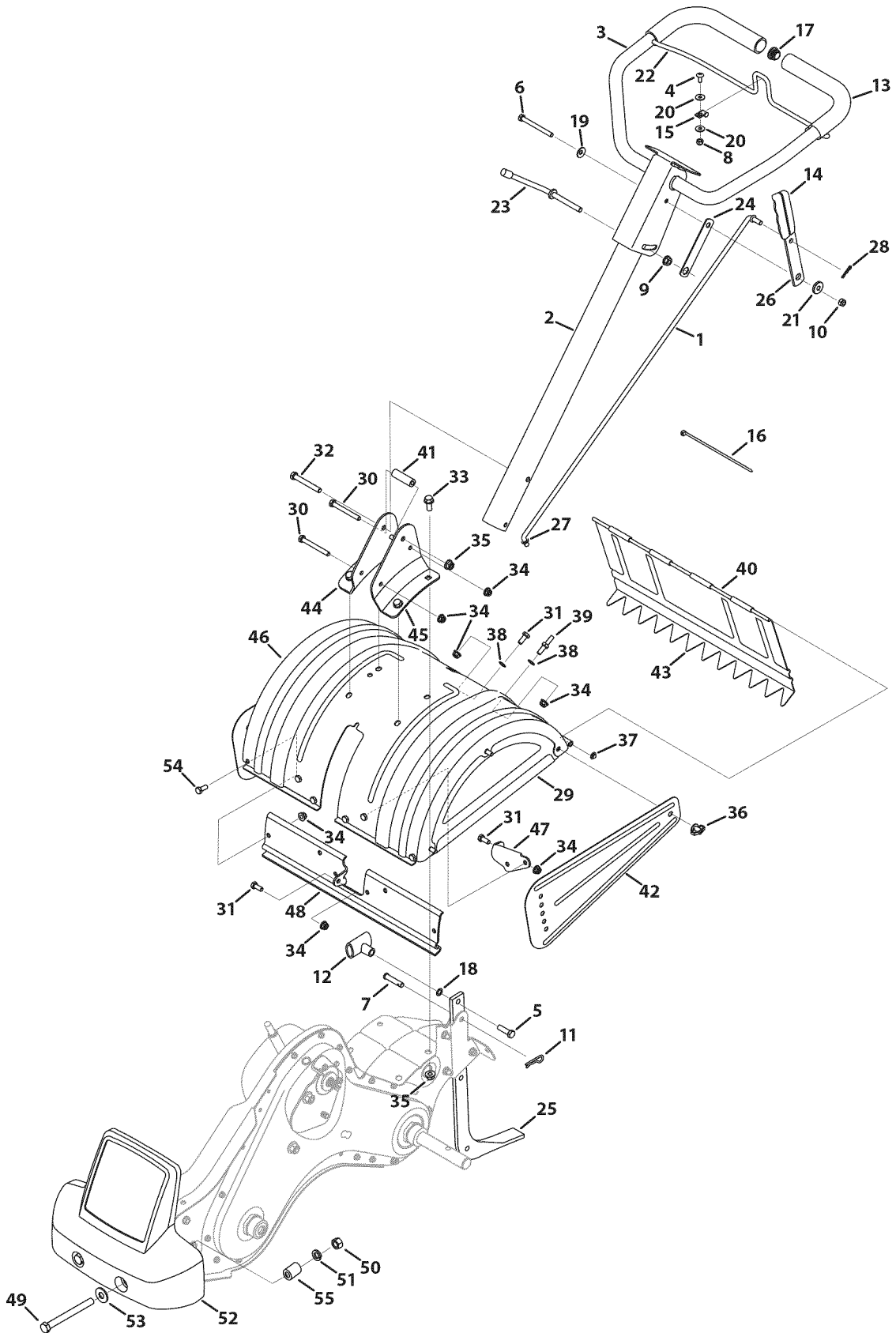
manage my home

brought to you by Sears

NOTES

PARTS LIST

Craftsman Tiller — Model No. 247.29932



PARTS LIST

Craftsman Tiller — Model No. 247.29932

Ref. No.	Part No.	Description
1	747-1152	Shift Rod
2	649-0034-0691	Lower Handle Tube Assembly
3	649-0041-0691	Upper Handle Assembly
4	710-0946	Screw, 1/4-20 x 0.625
5	710-3005	Hex Head Screw, 3/8-16:1.25
6	710-3056	Hex Head Screw, 5/16-18 x 3.25
7	911-0415	Clevis Pin, .375 X 1.75
8	712-0324	Hexlock Nut, 1/4-20
9	712-0379	Flangelock Nut, 3/8-24
10	912-0429	Hexlock Nut, 5/16-18
11	714-0147	Cotter Pin, .125 X 1.75 Internal
12	720-0210A	Small Tee Knob
13	720-0278A	Foam Grip, .970 x 11.0
14	720-0313	Grip, .1875 x 1.00
15	726-0273	Battery Clamp, 5/16
16	726-0317	Cable Tie, 8.5 LG
17	735-0246A	End Plug
18	936-0117	Washer, Flat, .385 x .620 x .033
19	736-0242	Washer, Bell, .340 x .872 x .060
20	736-3090	Washer, Flat, .260 x .720 x .060
21	938-0958	Spacer, .50 x .190 x .360 LG
22.	747-1219-0637	Clutch Bail
23	784-0190	Handle Adjustment Crank
24	784-0191	Hex Nut Retainer Bracket
25	786-0120-0637	Tiller Depth Control
26	786-0181-0691	Shaft Rod Lever
27	735-0127	Washer, .33 ID x .87 OD x .125
28	914-0104	Cotter Pin, .072 x 1.12 LG

Ref. No.	Part No.	Description
29	686-0044B-0691	End Cover Assembly
30	710-0176	Hex Head Screw, 5/16-18 x 2.75
31	710-3008	Hex Head Screw, 5/16-18 x .75
32	710-3022	Hex Head Screw, 3/8-16 x 2.75
33	710-04482	Hex Head Flange, 3/8-16 x .875
34	712-04063	Flangelock Nut, 5/16-18
35	712-04065	Flangelock Nut, 3/8-16
36	712-0421	Wing Nut, 5/16-18 W/ Bell Washer
37	926-0106	Speed Nut Cap, 1/4 ROD
38	736-0204	Washer, Flat, .344 x .62 x .033
39	938-0849	Screw, Hex, 5/16-18 x .75
40	747-0432	Tiller Flap Rod
41	750-0885A	Spacer, .322 x .625 x 2.00
42	786-0090A-0691	Side Shield
43	786-0113A-0691	Rear Tine Shield
44	786-0176-0691	RH Handle Mount Bracket
45	786-0177-0691	LH Handle Mount Bracket
46	786-0178A-0691	Tine Shield
47	786-0179-0637	FRT Tine Shield Bracket
48	786-0180-0637	FRT Tine Shield Spacer Bracket
49	710-0506	Hex Head Screw, 1/2-20 x 5.50
50	912-3066	Hex Nut, 1/2-20
51	936-0921	Washer, Lock, 1/2
52	731-1595	Counterweight
53	936-0179	Washer, Flat, 1/2 x 1.25 x .100
54	710-0376	Hex Head Screw, 5/16-18 x 1.00
55	750-0194	Hub, .636 ID x 1.00 OD x .94

PARTS LIST

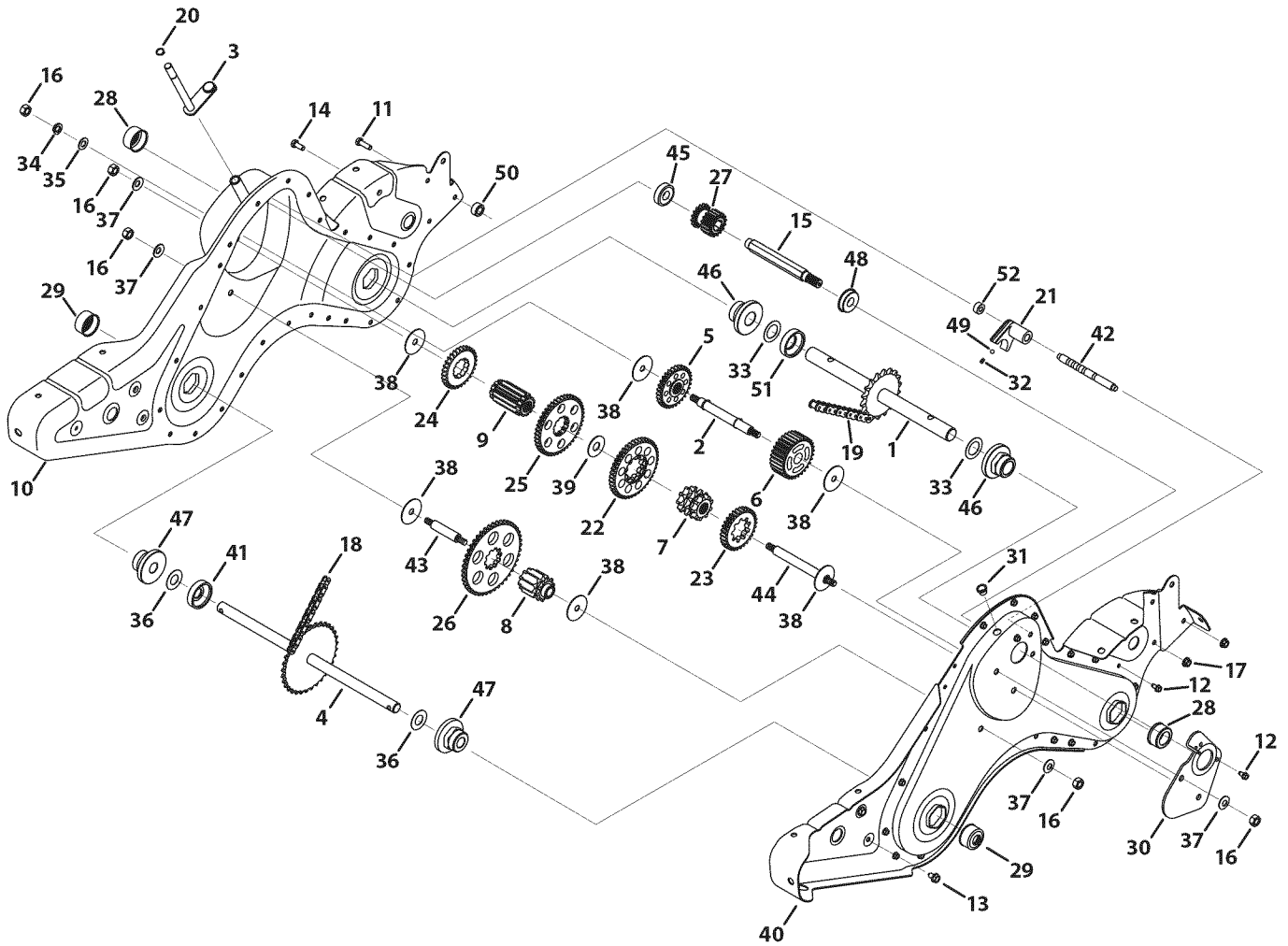
Craftsman Tiller — Model No. 247.29932

Ref. No.	Part No.	Description
1	686-0111-0637	Belt Cover Bracket Assembly
2	710-1039	Hex Head Screw, 3/8-24 x 1.00
3	710-0237	Hex Head Screw, 5/16-24 x .625
4	710-0412	Hex Head Screw, 1/4-28 x .75
5	710-0502A	Screw, 3/8-16 x 1.250
6	710-0599	Screw, 1/4-20 x 0.500
7	710-3005	Hex Head Screw, 3/8-16 x 1.25
8	710-0805	Hex Head Screw, 5/16-18 x 1.50
9	712-0266A	Jamlock Nut, 3/8-16
10	742-0305A-0637	Articulating Tine
11	914-0104	Cotter Pin, .072 DIA. x 1.13 LG
12	936-0104	Washer, Lock, 5/16
13	936-0119	Washer, Lock, 5/16
14	936-0176	Washer, Flat, .265 x .938 x .120
15	984-0160-0637	Tine Adaptor Assembly
16	936-0271	Washer, Spring, .317 x .625 x .020
17	936-0329	Washer, Lock, 1/4
18	936-0452	Washer, Bell, .396 x 1.140 x .095
19	938-0876	Shoulder Nut, 7/16-20
20	746-1117	Clutch Cable
21	747-1159	Idler Pulley Rod
22	954-0434	Belt, 4L x 58.16 LG
23	756-0405	Flat Idler Pulley w/ Flanges, 3.75 O.D.
24	756-0971	Engine Pulley, Inner Half
25	756-0972	Engine Pulley, Outer Half
26	756-1162	Input Pulley, 4L x 8.594

Ref. No.	Part No.	Description
27	786-0064A	Idler Pulley Bracket
28	786-0185A-0637	Belt Keeper Bracket
29	786-0187-0637	Shift Cover Bracket
30	786-0193-0637	Idler Belt Keeper
31	686-0109A	Shift Crank Assembly
32	710-0653	Screw, 1/4-20:0.375
33	710-1017	Screw, 1/4-14:0.625
34	712-0392	Lock Nut ,Cap, 1/4-28
35	915-0120	Spiral Pin, 3/16 x 1.00
36	936-3020	Washer, Flat, .271 x .630 x .065
37	784-0158A-0691	Belt Cover
38	784-0208D-0691	Shift Cover
39	634-04654	Wheel, 16 x 4.6 x 8
40	710-0606	Hex Head Screw, 1/4-20 x 1.50
41	712-04064	Flangelock Nut, 1/4-20
42	911-0415	Clevis Pin, .375 x 1.75
43	714-04043	Cotter Pin, Bow Tie
44	986-04074A	Complete Gear Case Assembly
45	712-3054	Hexlock Nut, 3/8-24
46	936-0169	Washer, Lock, 3/8
47	936-0208	Washer, Flat, .51 x 1.5 x 0.07
48	936-0253	Washer, Bell, .525 x 1.00 x .050
49	938-0688	Screw, Shoulder, 3/8-24 x 1/2 x .325
50	938-0689	Screw, Shoulder, 3/8-24 x 1/2 x .180
51	912-3010	Hex Nut, 5/16-18
52	731-07556	Cap

PARTS LIST

Craftsman Tiller — Model No. 247.29932



PARTS LIST

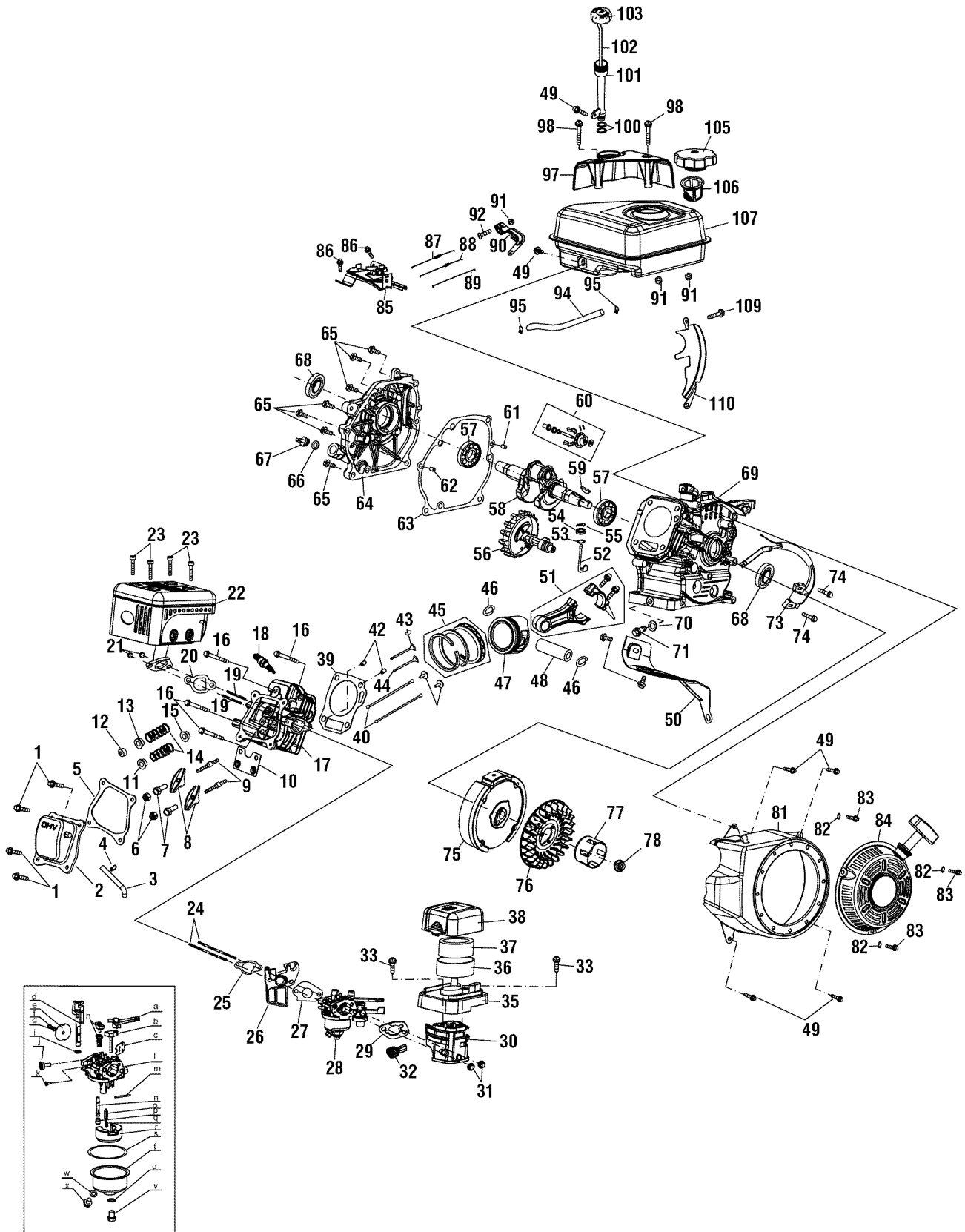
Craftsman Tiller — Model No. 247.29932

Ref. No.	Part No.	Description
1	611-0021	Shaft Assembly, Tine, 18T
2	611-0128	Shaft Assembly, Jack
3	611-0129	Shaft Assembly, Shift Input
4	611-04074A	Shaft Assembly, Wheel, 33T
5	617-0058	Gear Assembly, 30T Reverse Idler
6	617-0059	Gear Assembly, 30T Tine Idler
7	617-0060	Sprocket Assembly, 9T Tine Input
8	617-0061	Sprocket Assembly, 10T Wheel Input
9	617-0062	Gear Assembly, 11T
10	686-0108A-0637	RH Chain Case Housing Assembly
11	710-0376	Hex Head Screw, 5/16-18 x 1.00
12	710-0599	Screw, 1/4-20 x 0.500
13	710-0604A	Screw, 5/16-18 x 0.625
14	710-3008	Hex Head Screw, 5/16-18 x .75
15	711-1349	Input Shaft, .75
16	712-0378	Nut, Hex, 7/16-20
17	712-3004A	Nut, Flangelock, 5/16-18
18	913-0367	Endless Chain, #420 x 50 Links
19	913-0484	Endless Chain, #50 x 54 Links
20	716-0865	Snap Ring, .500
21	717-0853A	Clutch Collar
22	717-1582	Gear Spur, 44T
23	717-1583	Gear Spur, 30T
24	717-1584	Gear Spur, 30T
25	717-1585	Gear Spur, 44T
26	717-1587	Gear Spur, 44T

Ref. No.	Part No.	Description
27	717-1594	Gear Spur, 16T
28	921-0378	Shaft Seal, 1.0
29	721-0379	Shaft Seal, .75
30	786-0238	Positioner Gear Bracket
31	726-0277	Tapered Cap Plug
32	932-0496	Compression Spring, .230 OD
33	936-0163	Washer, Flat, 1.03 x 1.62 x .03
34	936-0171	Washer, Lock, 7/16
35	936-0226	Washer, Flat, .474 x .879 x .064
36	936-0351	Washer, Flat, .760 ID x 1.50 OD
37	736-0407	Washer, Bell, .45 x 1.00 x .062
38	736-0518	Washer, Thrust, .445 x 1.92 x .060
39	736-3088	Washer, Flat, 1.595 x .635 x .062
40	686-04129-0637	LH Chain Case Housing
41	950-0671	Spacer, .75 x 2.0 x .50
42	738-0645	Shaft Detent, .5 DIA
43	738-0648	Shaft, Jack, .625 x 2.385
44	738-04424	Shaft, Jack, .6250 x 5.0050
45	941-0600	Ball Bearing, 17 x 40 x 12:6203
46	941-0420	Flange Bearing, 1.0 x 2.5 x 1.38
47	741-0421	Flange Bearing, .75 x 2.5 x 1.38
48	941-0563	Ball Bearing, 17 x 40 x 12:6203
49	741-0862	Ball, Detent, .250
50	750-0258	Spacer, .315 x .750 x .375 LG
51	950-0570	Spacer, 1.0 ID x 2.0 OD x .5 LG
52	750-0664	Spacer, .505 ID x .88 OD x .440

PARTS LIST

Craftsman Engine Model ZS170-V0A For Model 247.29932



PARTS LIST

Craftsman Engine Model ZS170-V0A For Model 247.29932

Ref.	Part No.	Description
1	951-11012	Bolt
2	951-11054A	Valve Cover
3	731-07059	Breather Hose
4	726-04101	Breather Hose Clamp
5	951-11565	Valve Cover Gasket
6	751-11124	Nut, Pivot Locking
7	751-11123	Valve Adjusting Nut
9	710-04902	Rocker Arm Stud
16	710-05100	Cylinder Head Bolt
18	951-10292	Spark Plug
19	710-04911	Muffler Stud
21	712-04214	Nut
22	951-11590	Muffler Assembly
23	710-05002	Bolt
24	710-05101	Carburetor Stud
25	951-11567	Carburetor Insulator Gasket
26	951-11568	Carburetor Insulator
27	951-11569	Carburetor Gasket
29	951-11571	Carburetor Gasket Plate
30	951-10806	Air Cleaner Housing
31	712-04213	Nut
32	951-11067	Throttle Control Knob
33	710-05102	Self-Tapping Bolt
39	951-11572	Cylinder Head Gasket
42	715-04090	Dowel Pin
45	951-11253	Piston Ring Set
49	710-04915	Bolt
50	951-11113	Air Shield
51	951-11573	Connecting Rod Assembly
52	951-11356	Governor Arm Shaft
53	736-04461	Governor Shaft O-Ring
54	951-11574	Governor Seal
55	714-04078	Cotter Pin
56	951-11575	Camshaft Assembly
57	951-11369	Radial Ball Bearing
59	951-10307	Flywheel Key
60	951-11576	Governor Assembly
61	715-04092	Dowel Pin, 7 x 14
62	715-04089	Dowel Pin, 9 x 14
63	951-11371	Crankcase Cover Gasket

Ref.	Part No.	Description
65	710-04932	Bolt
66	951-11577	O-Ring
68	951-11578	Oil Seal
70	736-04440	Oil Drain Plug Washer
71	710-04906	Oil Drain Plug
73	951-10792	Ignition Coil
74	710-04919	Bolt
75	951-10805	Flywheel
76	951-10934	Cooling Fan
77	951-10911	Starter Cup
78	712-04209	Nut
81	951-11583	Blower Housing
82	736-04455	Washer
83	710-04914	Bolt
84	951-10790	Recoil Starter Assembly
85	951-11584	Primer Bracket
86	710-05103	Bolt
87	951-11585	Governor Spring
88	951-10664	Throttle Linkage Spring
89	951-10665	Throttle Linkage
90	951-11106	Governor Arm
91	712-04212	Nut
92	710-04908	Governor Arm Bolt
97	951-10662	Engine/Dipstick Cover
98	710-04905	Bolt
100	951-11380	O-Ring
101	951-10656	Dipstick Tube
106	951-10652	Fuel Filter
107	951-10796	Fuel Tank
109	710-04918	Bolt
110	951-11109	Blower Housing Shield
a	951-11177	Choke Control Lever
s	951-11589	Fuel Bowl Gasket
u	710-04904	Fuel Bowl Bolt Gasket
v	710-04945	Fuel Bowl Mounting Bolt
w	951-11349	Fuel Drain Plug Gasket
x	710-04903	Fuel Drain Bolt
—	951-10829	Spark Arrestor (Not Shown)
—	951-10651	Fuel Tank Nipple (Not Shown)

PARTS LIST

Craftsman Engine Model ZS170-V0A For Model 247.29932

Ref.	Part No.	Description	Qty.	Ref.	Part No.	Description	Qty.
—	951-10798A	Short Block	—	—	951-10799	Cylinder Head Assembly	—
5	951-11565	Valve Cover Gasket	1	5	951-11565	Valve Cover Gasket	1
20	—	Exhaust Pipe Gasket	1	7	751-11123	Valve Adjusting Nut	2
25	951-11567	Carburetor Insulator Gasket	1	8	—	Rocker Arm	2
26	951-11568	Carburetor Insulator	1	9	710-04902	Rocker Arm Stud	2
29	951-11571	Carburetor Gasket Plate	1	10	—	Push Rod Guide	1
39	951-11572	Cylinder Head Gasket	1	11	—	Valve Spring Retainer-Intake	1
41	—	Valve Lifter	2	12	—	Exhaust Valve Adjustor	1
45	951-11253	Piston Ring Set	1	13	—	Valve Spring Retainer-Exhaust	1
46	—	Piston Pin Clip	2	14	—	Valve Spring	2
47	—	Piston	1	17	—	Cylinder Head	1
48	—	Piston Pin	1	20	—	Exhaust Pipe Gasket	1
51	951-11573	Connecting Rod Assembly	1	25	951-11567	Carburetor Insulator Gasket	1
52	951-11356	Governor Arm Shaft	1	26	951-11568	Carburetor Insulator	1
53	736-04461	Governor Shaft O-Ring	1	39	951-11572	Cylinder Head Gasket	1
54	951-11574	Governor Seal	1	42	715-04090	Dowel Pin	2
55	714-04078	Cotter Pin	1	43	—	Exhaust Valve	1
56	951-11575	Camshaft Assembly	1	44	—	Intake Valve	1
57	951-11369	Radial Ball Bearing	2	—	951-11586	Crankcase Cover Kit	—
58	—	Crankshaft Assembly	1	57	951-11369	Radial Ball Bearing	1
60	951-11576	Governor Assembly	1	63	951-11371	Crankcase Cover Gasket	1
61	715-04092	Dowel Pin, 7 x 14	1	64	—	Crankcase Cover	1
62	715-04089	Dowel Pin, 9 x 14	1	65	710-04932	Bolt	7
63	951-11371	Crankcase Cover Gasket	1	68	951-11578	Oil Seal	1
64	—	Crankcase Cover	1	—	951-11588	Crankcase Kit	—
65	710-04932	Bolt	7	52	951-11356	Governor Arm Shaft	1
66	951-11577	O-Ring	1	53	736-04461	Governor Shaft O-Ring	1
67	—	Oil Filler Plug	1	54	951-11574	Governor Seal	1
68	951-11578	Oil Seal	2	55	714-04078	Cotter Pin	1
69	—	Crankcase Complete	1	57	951-11369	Radial Ball Bearing	1
70	736-04440	Oil Drain Plug Washer	2	68	951-11578	Oil Seal	1
71	710-04906	Oil Drain Plug	2	69	—	Crankcase Complete	1
—	951-11587	Crankshaft Kit	—	—	951-10801A	Gasket Kit - External	—
57	951-11369	Radial Ball Bearing	2	20	—	Exhaust Pipe Gasket	1
58	—	Crankshaft Assembly	1	25	951-11567	Carburetor Insulator Gasket	1
59	951-10307	Flywheel Key	1	27	951-11569	Carburetor Gasket	1
63	951-11371	Crankcase Cover Gasket	1	66	951-11577	O-Ring	1
68	951-11578	Oil Seal	2	70	736-04440	Oil Drain Plug Washer	1
—	951-11063A	Valve Cover Gasket Kit	—	—	951-10818	Air Cleaner Housing Assembly	—
2	951-11054A	Valve Cover	1	35	—	Lower Housing	1
5	951-11565	Valve Cover Gasket	1	38	—	Upper Housing	1

PARTS LIST

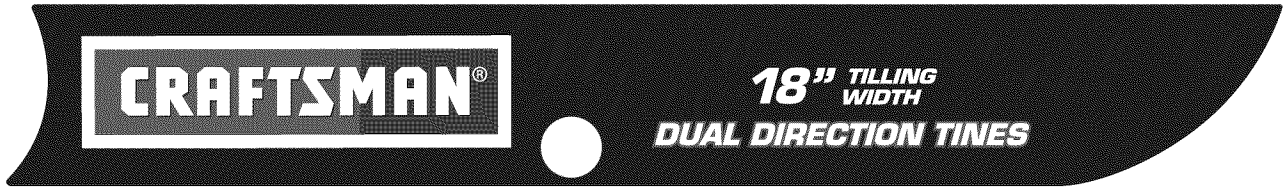
Craftsman Engine Model ZS170-V0A For Model 247.29932

Ref.	Part No.	Description	Qty.	Ref.	Part No.	Description	Qty.
28	951-10797	Carburetor Assembly	—	—	951-10647	Valve Kit	—
a	951-11177	Choke Control Lever	1	43	—	Exhaust Valve	1
b	—	Choke Shaft	1	44	—	Intake Valve	1
c	—	Choke Plate	1	—	951-10655	Dipstick Assembly	—
d	—	Throttle Shaft	1	102	—	Dipstick Gauge	1
e	—	Throttle Plate	1	103	—	Dipstick Cap	1
f	—	Screw	1	—	951-10669	Oil Fill Plug Assembly	—
g	—	Lock Washer	1	66	951-11577	O-Ring	1
h	—	Idle Jet Assembly	1	67	—	Oil Filler Plug	1
i	—	Throttle Plate Gasket	1	—	951-10650	Fuel Line Kit	—
j	—	Idle Speed Adjusting Screw	1	94	—	Fuel Hose	1
k	—	Mixture Screw	1	95	—	Hose Clamp	2
l	—	Carburetor Body	1	—	951-10657	Muffler Stud Assembly	—
m	—	Float Pin	1	19	710-04911	Muffler Stud	2
n	—	Main Nozzle	1	—	951-10819	Cylinder Head Service Kit	—
o	—	Needle Valve (Float)	1	5	951-11565	Valve Cover Gasket	1
p	—	Main Jet	1	15	—	Valve Seal	1
q	—	Needle Valve Spring	1	16	710-05100	Cylinder Head Bolt	4
r	—	Float	1	39	951-11572	Cylinder Head Gasket	1
s	951-11589	Fuel Bowl Gasket	1	—	951-10794	Air Cleaner	—
t	—	Fuel Bowl	1	36	—	Air Cleaner Foam Wrap	1
u	710-04904	Fuel Bowl Bolt Gasket	1	37	—	Air Cleaner Element	1
v	710-04945	Fuel Bowl Mounting Bolt	1	—	951-10802A	Gasket Kit - Complete	—
w	951-11349	Fuel Drain Plug Gasket	1	5	951-11565	Valve Cover Gasket	1
x	710-04903	Fuel Drain Bolt	1	20	—	Exhaust Pipe Gasket	1
—	951-10800A	Carburetor Kit - Major	—	25	951-11567	Carburetor Insulator Gasket	1
a	951-11177	Choke Control Lever	1	26	951-11568	Carburetor Insulator	1
h	—	Idle Jet Assembly	1	27	951-11569	Carburetor Gasket	1
i	—	Throttle Plate Gasket	1	29	951-11571	Carburetor Gasket Plate	1
j	—	Idle Speed Adjusting Screw	1	39	951-11572	Cylinder Head Gasket	1
m	—	Float Pin	1	53	736-04461	Governor Shaft O-Ring	1
n	—	Main Nozzle	1	63	951-11371	Crankcase Cover Gasket	1
o	—	Needle Valve (Float)	1	66	951-11577	O-Ring	1
p	—	Main Jet	1	68	951-11578	Oil Seal	2
q	—	Needle Valve Spring	1	70	736-04440	Oil Drain Plug Washer	1
r	—	Float	1	105	951-10917	Fuel Cap	—
s	951-11589	Fuel Bowl Gasket	1	—	—	Gasket (Not Shown)	1
u	710-04904	Fuel Bowl Bolt Gasket	1	—	—	Gasket Retainer (Not Shown)	1
w	951-11349	Fuel Drain Plug Gasket	1	—	951-10826	Recoil Spring & Pulley Assembly	—
—	951-10648	Push Rod Kit	—	—	—	Starter Pulley (Not Shown)	1
40	—	Push Rod	2	—	—	Recoil Spring (Not Shown)	1

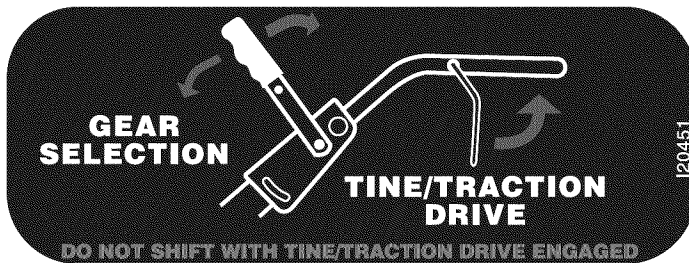
Parts List

Craftsman Tiller Model No. 247.29932

777D14192



777I20451



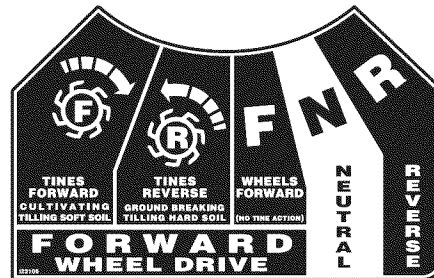
777D14193



777D13770



777I23106



777I20358



777S33508

777D14196



DEPTH STAKE

TRANSPORT

- 1"
- 3"
- 5"
- 7"

⚠ WARNING

TO AVOID SERIOUS INJURY
Read the operator's manual.
Know location and functions of all controls.
Keep all safety devices and shields in place and working.
Never allow children or uninstructed adults to operate tiller.
Shut off engine before unclogging tines or making repairs.
Keep bystanders away from machine.
Keep away from rotating parts.
Use extreme caution when reversing or pulling the machine towards you.

KEEP AWAY FROM ROTATING TINES. ROTATING TINES WILL CAUSE INJURY.

⚠ WARNING
Operation Of This Equipment May Create Sparks That Can Start Fires Around Dry Vegetation. A Spark Arrestor May Be Required. The Operator Should Contact Local Fire Agencies For Laws Or Regulations To Fire Prevention Requirements.

(This page applicable in the U.S.A. and Canada only.)

**Sears, Roebuck and Co., U.S.A. (Sears), the California Air Resources Board (CARB)
and the United States Environmental Protection Agency (U.S. EPA)**

Emission Control System Warranty Statement (Owner's Defect Warranty Rights and Obligations)

EMISSION CONTROL WARRANTY COVERAGE IS APPLICABLE TO CERTIFIED ENGINES PURCHASED IN CALIFORNIA IN 1995 AND THEREAFTER, WHICH ARE USED IN CALIFORNIA, AND TO CERTIFIED MODEL

YEAR 1997 AND LATER ENGINES WHICH ARE PURCHASED AND USED ELSEWHERE IN THE UNITED STATES (AND AFTER JANUARY 1, 2001 IN CANADA).

California and United States Emission Control Defects Warranty Statement

The California Air Resources Board (CARB), U.S. EPA and Sears are pleased to explain the Emission Control System Warranty on your model year 2000 and later small off-road engine (SORE). In California, new small off-road engines must be designed, built and equipped to meet the State's stringent anti-smog standards. Elsewhere in the United States, new non-road, spark-ignition engines certified for model year 1997 and later must meet similar standards set forth by the U.S. EPA. Sears must warrant the emission control system on your

engine for the periods of time listed below, provided there has been no abuse, neglect or improper maintenance of your small off-road engine. Your emission control system includes parts such as the carburetor, air cleaner, ignition system, muffler and catalytic converter. Also included may be connectors and other emission related assemblies. Where a warrantable condition exists, Sears will repair your small off-road engine at no cost to you including diagnosis, parts and labor.

Sears Emission Control Defects Warranty Coverage

Small off-road engines are warranted relative to emission control parts defects for a period of one year, subject to provisions set forth below. If any covered

part on your engine is defective, the part will be repaired or replaced by Sears.

Owner's Warranty Responsibilities

As the small off-road engine owner, you are responsible for the performance of the required maintenance listed in your Operating and Maintenance Instructions. Sears recommends that you retain all your receipts covering maintenance on your small off-road engine, but Sears cannot deny warranty solely for the lack of receipts or for your failure to ensure the performance of all scheduled maintenance. As the small off-road engine owner, you should however be aware that Sears may deny you warranty coverage if your small off-road engine or a part has failed due to abuse, neglect, improper maintenance or unap-

proved modifications. You are responsible for presenting your small off-road engine to an Authorized Sears Service Dealer as soon as a problem exists. The undisputed warranty repairs should be completed in a reasonable amount of time, not to exceed 30 days. If you have any questions regarding your warranty rights and responsibilities, you should contact a Sears Service Representative at 1-800-469-4663. The emission warranty is a defects warranty. Defects are judged on normal engine performance. The warranty is not related to an in-use emission test.

Sears Emission Control Defects Warranty Provisions

The following are specific provisions relative to your Emission Control Defects Warranty Coverage. It is in addition to the Sears engine warranty for non-regulated engines found in the Operating and Maintenance Instructions.

1. Warranted Parts

Coverage under this warranty extends only to the parts listed below (the emission control systems parts) to the extent these parts were present on the engine purchased.

- a. Fuel Metering System
 - Cold start enrichment system
 - Carburetor and internal parts
 - Fuel Pump
- b. Air Induction System
 - Air cleaner
 - Intake manifold
- c. Ignition System
 - Spark plug(s)
 - Magneto ignition system
- d. Catalyst System
 - Catalytic converter
 - Exhaust manifold
 - Air injection system or pulse valve
- e. Miscellaneous Items Used in Above Systems
 - Vacuum, temperature, position, time sensitive valves and switches
 - Connectors and assemblies

2. Length of Coverage

Sears warrants to the initial owner and each subsequent purchaser that the Warranted Parts shall be free from defects in materials and workmanship which caused the failure of the Warranted Parts for a period of one year from the date the engine is delivered to a retail purchaser.

3. No Charge

Repair or replacement of any Warranted Part will be performed at no charge to the owner, including diagnostic labor which leads to the determination that a Warranted Part is defective, if the diagnostic work is performed at an Authorized Sears Service Dealer. For emissions warranty service contact your nearest Authorized Sears Service Dealer as listed in the "Yellow Pages" under "Engines, Gasoline," "Gasoline Engines," "Lawn Mowers," or similar category.

4. Claims and Coverage Exclusions

Warranty claims shall be filed in accordance with the provisions of the Sears Engine Warranty Policy. Warranty coverage shall be excluded for failures of Warranted Parts which are not original Sears parts or because of abuse, neglect or improper maintenance as set forth in the Sears Engine Warranty Policy. Sears is not liable to cover failures of Warranted Parts caused by the use of add-on, non-original, or modified parts.

5. Maintenance

Any Warranted Part which is not scheduled for replacement as required maintenance or which is scheduled only for regular inspection to the effect of "repair or replace as necessary" shall be warranted as to defects for the warranty period. Any Warranted Part which is scheduled for replacement as required maintenance shall be warranted as to defects only for the period of time up to the first scheduled replacement for that part. Any replacement part that is equivalent in performance and durability may be used in the performance of any maintenance or repairs. The owner is responsible for the performance of all required maintenance, as defined in the Sears Operating and Maintenance Instructions.

6. Consequential Coverage

Coverage hereunder shall extend to the failure of any engine components caused by the failure of any Warranted Part still under warranty.

In the USA and Canada, a 24 hour hot line, **1-800-469-4663**, has a menu of pre-recorded messages offering you engine maintenance information.

Look For Relevant Emissions Durability Period and Air Index Information On Your Engine Emissions Label

Engines that are certified to meet the California Air Resources Board (CARB) Tier 2 Emission Standards must display information regarding the Emissions Durability Period and the Air Index. Sears, Roebuck and Co., U.S.A. makes this information available to the consumer on our emission labels.

The Emissions Durability Period describes the number of hours of actual running time for which the engine is certified to be emissions compliant, assuming proper maintenance in accordance with the Operating & Maintenance Instructions. The following categories are used:

Moderate: Engine is certified to be emission compliant for 125 hours of actual engine running time.

Intermediate: Engine is certified to be emission compliant for 250 hours of actual engine running time.

Extended: Engine is certified to be emission compliant for 500 hours of actual engine running time.

For example, a typical walk-behind lawn mower is used 20 to 25 hours per year. Therefore, the **Emissions Durability Period** of an engine with an **intermediate** rating would equate to 10 to 12 years.

The **Air Index** is a calculated number describing the relative level of emissions for a specific engine family. The lower the **Air Index**, the cleaner the engine. This information is displayed in graphical form on the emissions label.

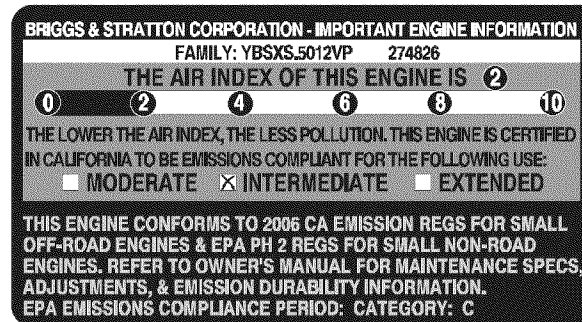
After July 1, 2000, Look For Emissions Compliance Period On Engine Emissions Compliance Label

After July 1, 2000 certain Sears, Roebuck and Co., U.S.A. engines will be certified to meet the United States Environmental Protection Agency (USEPA) Phase 2 emission standards. For Phase 2 certified engines, the Emissions Compliance Period referred to on the Emissions Compliance label indicates the number of operating hours for which the engine has been shown to meet Federal emission requirements.

For engines less than 225 cc displacement, Category C = 125 hours, B = 250 hours and A = 500 hours.

For engines of 225 cc or more, Category C = 250 hours, B = 500 hours and A = 1000 hours.

This is a generic representation of the emission label typically found on a certified engine.



REPAIR PROTECTION AGREEMENT

Congratulations on making a smart purchase. Your new Craftsman® product is designed and manufactured for years of dependable operation. But like all products, it may require repair from time to time. That's when having a Repair Protection Agreement can save you money and aggravation.

Here's what the Repair Protection Agreement* includes:

- **Expert service** by our 10,000 professional repair specialists
- **Unlimited service and no charge** for parts and labor on all covered repairs
- **Product replacement** up to \$1500 if your covered product can't be fixed
- **Discount of 10%** from regular price of service and related installed parts not covered by the agreement; also, 10% off regular price of preventive maintenance check
- **Fast help by phone** – we call it Rapid Resolution – phone support from a Sears representative. Think of us as a “talking owner's manual.”

Once you purchase the Agreement, a simple phone call is all that it takes for you to schedule service. You can call anytime day or night, or schedule a service appointment online.

The Repair Protection Agreement is a risk-free purchase. If you cancel for any reason during the product warranty period, we will provide a full refund. Or, a prorated refund anytime after the product warranty period expires. Purchase your Repair Protection Agreement today!

Some limitations and exclusions apply. For prices and additional information in the U.S.A. call 1-800-827-6655.

***Coverage in Canada varies on some items. For full details call Sears Canada at 1-800-361-6665.**

Sears Installation Service

For Sears professional installation of home appliances, garage door openers, water heaters, and other major home items, in the U.S.A. or Canada call **1-800-4-MY-HOME®**.

ÍNDICE

Declaración de garantía.....	Página 40
Medidas importantes de seguridad	Páginas 41-44
Armado	Páginas 45-47
Funcionamiento	Páginas 48-54
Servicio y Mantenimiento	Páginas 55-59

Almacenamiento fuera de temporada..	Página 60
Solución de problemas.....	Página 61
Acuerdo de protección para reparaciones	Página 64
Número de servicio.....	Cubierta posterior

GARANTÍA

GARANTÍA COMPLETA CRAFTSMAN

En condiciones normales de funcionamiento y mantenimiento conforme a las instrucciones suministradas, si este producto Craftsman falla debido a defectos en los materiales o en la mano de obra dentro de los dos años de la fecha de compra, comuníquese con 1-800-4-MY-HOME® para organizar su reparación sin cargo (o reemplazo si resultara imposible repararla).

La garantía sólo será válida durante 90 días a partir de la fecha de compra si este producto se usa en cualquier momento para fines comerciales o de alquiler.

Esta garantía cubre ÚNICAMENTE los defectos en los materiales y la mano de obra. Sears NO pagará por:

- Componentes desechables que se desgastan con el uso normal, incluyendo sin limitación las cuchillas, los dientes y las correas.
- Reemplazo o reparación de neumáticos o ruedas como resultado del desgaste normal, un accidente, o funcionamiento o mantenimiento incorrectos.
- Reparaciones necesarias como resultado del abuso del operador, incluyendo sin limitación el daño ocasionado por impactar objetos que tuercen la estructura o el cigüeñal.
- Reparaciones necesarias como resultado de la negligencia del operador, incluyendo sin limitación daño eléctrico y mecánico debido al almacenamiento inadecuado, o por no haber mantenido el equipo conforme a las instrucciones contenidas en el manual del operador.
- Reparaciones necesarias debido al uso de una mezcla de combustible incorrecta, combustible contaminado o viejo.
- El deterioro y desgaste normal de los acabados exteriores, o reemplazo de la etiqueta del producto.

Esta garantía aplica solamente mientras el producto esté dentro de los Estados Unidos.

Esta garantía le otorga derechos legales específicos, pero usted podría gozar de otros derechos en razón de su lugar de residencia.

Sears, Roebuck and Co., Hoffman Estates, IL 60179

PRODUCT SPECIFICATIONS

Serie del motor:	208cc
Tipo de aceite del motor:	10W30
Capacidad de aceite del motor:	20 onzas
Combustible:	Gasolina sin plomo
Bujía:	Torch F6RTC
Separación de las bujías:	.030"

MODEL NUMBER

Número de modelo
Número de serie
Fecha de compra

Registre el número de modelo, número de serie
y fecha de compra más arriba

INSTRUCCIONES DE SEGURIDAD

⚠️ ADVERTENCIA

La presencia de este símbolo indica que se trata de instrucciones de seguridad importantes que se deben respetar para evitar poner en peligro su seguridad personal y/o material y la de otras personas. Lea y cumpla todas las instrucciones de este manual antes de intentar operar esta máquina. Si no respeta estas instrucciones puede provocar lesiones personales. Cuando vea este símbolo, ¡preste atención a la advertencia!

⚠️ PELIGRO

Esta máquina está diseñada para ser utilizada respetando las normas de seguridad contenidas en este manual. Al igual que con cualquier tipo de equipo motorizado, un descuido o error por parte del operador puede producir lesiones graves. Esta máquina es capaz de amputar dedos, manos y pies y de arrojar residuos. De no respetar las instrucciones de seguridad siguientes se pueden producir lesiones graves o la muerte.

⚠️ ADVERTENCIA

PROPOSICIÓN 65 DE CALIFORNIA

El escape del motor de este producto, algunos de sus componentes y algunos componentes del vehículo contienen o liberan sustancias químicas que el estado de California considera que pueden producir cáncer, defectos de nacimiento u otros problemas reproductivos. Los bornes de la batería y los accesorios afines contienen plomo y compuestos de plomo, sustancias químicas que según lo establecido por el Estado de California causan cáncer y daños en el sistema reproductivo. Lávese las manos después de estar en contacto con estos componentes.

⚠️ ADVERTENCIA

Su responsabilidad—Limite el uso de esta máquina motorizada a las personas que lean, comprendan y cumplan las advertencias e instrucciones que aparecen en este manual y en la máquina.

¡GUARDE ESTAS INSTRUCCIONES!

CAPACITACIÓN

- Lea, comprenda y respete todas las instrucciones que figuran en la máquina y en el o los manuales antes de proceder a armarla y hacerla funcionar. Guarde este manual en un lugar seguro para consultas futuras y periódicas, así como para solicitar repuestos.
- Lea el manual del operador y siga todas las advertencias e instrucciones de seguridad. De no hacerlo, puede ocasionar heridas de gravedad al operador y/o a los observadores. Ante cualquier duda, llame al 1-800-4MY-HOME.
- Familiarícese con todos los controles y su correcto funcionamiento. Sepa cómo detener la máquina y cómo desconectar los controles rápidamente.
- No permita nunca que los niños menores de 14 años utilicen esta máquina. Los niños de 14 años en adelante deben leer y entender las instrucciones de operación y normas de seguridad contenidas en este manual y en la máquina y deben ser entrenados y supervisados por un adulto.
- Nunca permita que los adultos operen esta máquina sin recibir antes la instrucción apropiada.
- Mantenga a los observadores, mascotas y niños al menos a 25 metros de la máquina mientras está en funcionamiento. Detenga la máquina si alguien se acerca.
- Nunca encienda el motor en espacios cerrados o en una zona con poca ventilación. El escape del motor contiene monóxido de carbono, un gas inodoro y letal.

PREPARATIVOS

- Revise minuciosamente el área donde se va a usar el equipo. Retire todas las piedras, botellas, latas y otros objetos extraños que puedan ser levantados o arrojados causando lesiones personales o daños a la máquina.
- Para protegerse los ojos, utilice siempre gafas o anteojos de seguridad mientras opera la máquina o mientras la ajusta o repara. Los objetos arrojados que rebotan pueden producir lesiones oculares graves.
- Utilice zapatos de trabajo resistentes, de suela fuerte, y pantalones y camisas ajustados. Las prendas sueltas y las alhajas se pueden enganchar en las piezas móviles. Nunca opere esta máquina estando descalzo o con sandalias.
- Antes de encender la máquina controle que todos los pernos y tornillos estén bien ajustados para garantizar que la máquina se encuentra en condiciones seguras de operación. Además, realice una inspección visual de la máquina a intervalos frecuentes para controlar si la misma está dañada.
- Antes de arrancar el motor, desenganche las palancas del embrague y desplácelas (en caso de haber) a la posición neutral ("N").
- Nunca deje la máquina en funcionamiento sin vigilancia.
- Nunca intente realizar ajustes mientras el motor está en marcha, excepto en los casos específicamente recomendados en el manual del operador.
- Mantenga o reemplace las etiquetas de seguridad e instrucciones según sea necesario.

INSTRUCCIONES DE SEGURIDAD

Manejo seguro de la gasolina:

Para evitar lesiones personales y daños materiales tenga mucho cuidado al manipular la gasolina. La gasolina es sumamente inflamable y sus vapores pueden causar explosiones. Si se derrama gasolina encima o sobre la ropa se puede lesionar gravemente ya que se puede incendiar. Lávese la piel y cámbiese de ropa de inmediato.

- Utilice sólo los recipientes para gasolina autorizados.
- Nunca llene los recipientes en el interior de un vehículo o camión o caja de remolque con un recubrimiento plástico. Coloque siempre los recipientes en el piso y lejos del vehículo antes de llenarlos.
- Cuando sea factible, retire el equipo a gasolina del camión o remolque y llénelo en el suelo. Si esto no es posible, llene el equipo en un remolque con contenedor portátil, en vez de desde una boquilla dispensadora de gasolina.
- Mantenga la boquilla en contacto con el borde del tanque de combustible o de la abertura del recipiente en todo momento, hasta terminar de cargar. No utilice un dispositivo para abrir/cerrar la boquilla.
- Apague todos los cigarrillos, cigarrillos, pipas y otras fuentes de combustión.
- Nunca cargue combustible en la máquina en un espacio cerrado.
- Nunca saque la tapa de la gasolina ni agregue combustible mientras el motor está caliente o en marcha. Permita que el motor se enfríe por lo menos dos minutos antes de volver a cargar combustible.
- Nunca llene en exceso el tanque de combustible. Llene el tanque no más de ½ pulgada por debajo de la base del cuello del tapón de carga, para dejar espacio para la expansión del combustible.
- Vuelva a colocar la tapa del combustible y ajústela bien.
- Limpie la gasolina que se pueda haber derramado sobre el motor o el equipo. Traslade la máquina a otra zona. Espere 5 minutos antes de encender el motor.
- Para reducir el riesgo de incendio, mantenga la máquina limpia de pasto, hojas y de acumulación de otros escombros. Limpie los derrames de aceite o combustible y saque todos los escombros embebidos de combustible.
- Nunca guarde la máquina o el recipiente de combustible en un espacio cerrado donde haya fuego, chispas o luz piloto, como por ejemplo de calentadores de agua, calefactores de ambientes, hornos, secadores de ropa u otros aparatos a gas.

FUNCIONAMIENTO

- No coloque las manos ni los pies cerca de piezas giratorias. El contacto con las piezas giratorias puede ocasionar en la amputación de manos o pies.
- No utilice la máquina bajo la influencia del alcohol o las drogas.
- Nunca opere esta máquina si no hay buena visibilidad o iluminación. Siempre debe estar seguro de que está bien afirmado y sujetando firmemente las manijas.
- Mantenga a los transeúntes alejados de la máquina mientras la misma está en funcionamiento. Detenga la máquina si alguien se acerca.
- Tenga cuidado al labrar un terreno duro. Los dientes pueden clavarse en la tierra e impulsar la cultivadora hacia adelante. Si esto ocurre, suelte el manubrio y deje la máquina libre.
- Sea sumamente precavido cuando opere la máquina sobre una superficie con grava o al cruzarla. Manténgase alerta por si se presentan peligros ocultos o tránsito. No transporte pasajeros.
- Nunca utilice la máquina a altas velocidades de desplazamiento sobre superficies duras o resbaladizas.
- Tenga cuidado para evitar resbalar o caerse.
- Mire hacia abajo y hacia atrás y tenga cuidado cuando se desplace en marcha atrás o cuando jale de la máquina hacia usted.
- Arranque el motor de acuerdo con las instrucciones del manual y aleje los pies de los dientes en todo momento.

- Si golpea algún objeto extraño o si la máquina comienza a emitir un sonido poco común o a vibrar, apague el motor de inmediato. Desconecte el cable de la bujía, póngalo haciendo masa contra el motor y siga los pasos siguientes:
 - a. Inspeccione la máquina para ver si está dañada.
 - b. Repare o reemplace las piezas dañadas.
 - c. Controle si hay piezas flojas y ajústelas para asegurar que la máquina funcione de manera segura y continua.
- Desenganche todas las palancas de embrague (si las hay) y detenga el motor antes de dejar la posición de operación (detrás de las manijas). Espere hasta que los dientes se detengan completamente antes de limpiarlos, hacer algún ajuste o inspeccionarlos.
- Nunca encienda el motor en espacios cerrados o en una zona con poca ventilación. El escape del motor contiene monóxido de carbono, un gas inodoro y letal.
- El silenciador y el motor se calientan y pueden causar quemaduras. No los toque.
- Tenga precaución cuando labore terreno cerca de vallas, edificios y servicios subterráneos. Los dientes rotatorios pueden causar daños materiales o lesiones personales.
- No sobrecargue la capacidad de la máquina intentando labrar el suelo a un nivel demasiado profundo o a una velocidad demasiado rápida.
- Si la máquina arranca haciendo un sonido o una vibración rara, detenga el motor, desconecte el cable de la bujía y conéctelo a masa contra el motor. Inspeccione la máquina minuciosamente para ver si está dañada. Repare todos los daños antes de encender y operar la máquina.
- Mantenga todos los escudos, protectores y dispositivos de seguridad en su lugar y en correcto funcionamiento.
- Nunca levante o transporte la máquina cuando el motor está encendido.
- Utilice sólo dispositivos de sujeción o accesorios aprobados por el fabricante que figuran en las páginas de la lista de piezas de este manual del operador. Si no lo hace, pueden producirse lesiones personales.
- Si se presentan situaciones que no están previstas en este manual, sea cuidadoso y use el sentido común. Póngase en contacto con Asistencia al Cliente para solicitar ayuda y el nombre del distribuidor de servicio más cercano.

MANTENIMIENTO Y ALMACENAMIENTO

- Mantenga la máquina, los aditamentos y accesorios en condiciones de funcionamiento seguro.
- Deje que la máquina se enfríe por lo menos cinco minutos antes de guardarla. Nunca altere los dispositivos de seguridad. Controle periódicamente que funcionan correctamente.
- Verifique frecuentemente que los pernos y tornillos estén ajustados correctamente para asegurarse de que la máquina esté trabajando de manera segura. Además, haga una inspección visual de la máquina para verificar si está dañada.
- Antes de limpiar, reparar o revisar, detenga el motor y asegúrese de que los dientes y todas las partes móviles se han detenido. Desconecte el cable de la bujía y póngalo haciendo masa contra el motor para evitar que se encienda accidentalmente.
- No cambie la configuración del regulador del motor ni lo haga funcionar a demasiada velocidad. El regulador del motor controla la velocidad máxima de funcionamiento seguro del motor.
- Mantenga o reemplace las etiquetas de seguridad y de instrucciones según sea necesario.
- Siga las instrucciones de este manual para cargar, descargar, transportar y almacenar de manera segura esta máquina.
- Si la máquina se va a almacenar por un período prolongado, consulte siempre el manual del operador para obtener información importante.
- Si debe vaciar el tanque de combustible, hágalo al aire libre.

INSTRUCCIONES DE SEGURIDAD

- Observe la reglamentación y las normas respecto a la eliminación correcta de gasolina, aceite, etc. para proteger el medio ambiente.
- Según la Comisión de Seguridad de Productos para el Consumidor de los Estados Unidos (CPSC) y la Agencia de Protección Ambiental de los Estados Unidos (EPA), este producto tiene una vida útil media de siete (7) años ó 130 horas de funcionamiento. Al finalizar la vida útil media haga inspeccionar anualmente esta unidad por un distribuidor de servicio autorizado para cerciorarse de que todos los sistemas mecánicos y de seguridad funcionan correctamente y no tienen excesivo desgaste. Si no lo hace, pueden producirse accidentes, lesiones o la muerte.

NO MODIFIQUE EL MOTOR

Para evitar lesiones graves o la muerte, no modifique el motor bajo ninguna circunstancia. Si altera la configuración del regulador, el motor se puede desbocar y funcionar a velocidades que no son seguras. Nunca modifique la configuración de fábrica del regulador del motor.

AVISO REFERIDO A EMISIONES

Los motores que están certificados y cumplen con las regulaciones de emisiones federales EPA y de California para SORE (Equipos Small Off Road Equipment) están certificados para operar con gasolina común sin plomo y pueden incluir los siguientes sistemas de control de emisiones: Modificación de motor (EM), catalizador oxidante (OC), inyección de aire secundaria (SAI) y catalizador de tres vías (TWC) si están equipados de esa manera.

AMORTIGUADOR DE CHISPAS

ADVERTENCIA

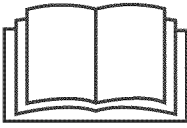





Esta máquina está equipada con un motor de combustión interna y no debe ser utilizada en un terreno agreste cubierto por bosque, malezas o hierba ni cerca del mismo excepto que el sistema de escape del motor esté equipado con un amortiguador de chispas que cumpla con las leyes locales o estatales correspondientes (en caso de existir).

Si se utiliza un amortiguador de chispas el operador lo debe mantener en condiciones de uso adecuadas. En el Estado de California las medidas anteriormente mencionadas son exigidas por ley (Artículo 4442 del Código de Recursos Públicos de California). Es posible que existan leyes similares en otros estados. Las leyes federales se aplican en territorios federales. Podrá obtener un amortiguador de chispas para el silenciador en el centro de servicio de piezas y reparaciones Sears más cercano.

INSTRUCCIONES DE SEGURIDAD

SÍMBOLOS DE SEGURIDAD

En esta página se presentan y describen los símbolos de seguridad que pueden aparecer en este producto. Lea, entienda y cumpla todas las instrucciones incluidas en la máquina antes de intentar armarla y utilizarla.

	LEA LOS MANUALES DEL OPERADOR Lea, entienda y cumpla todas las instrucciones incluidas en los manuales antes de intentar armar la unidad y utilizarla.
	ADVERTENCIA - DIENTES GIRATORIOS No coloque las manos ni los pies cerca de piezas giratorias. El contacto con las piezas giratorias puede ocasionar en la amputación de manos o pies.
	ADVERTENCIA - DIENTES GIRATORIOS No coloque las manos ni los pies cerca de piezas giratorias. El contacto con las piezas giratorias puede ocasionar en la amputación de manos o pies.
	ADVERTENCIA - LA GASOLINA ES INFLAMABLE Deje que el motor se enfríe por lo menos dos minutos antes de cargar combustible.
	ADVERTENCIA - MONÓXIDO DE CARBONO Nunca encienda el motor en espacios cerrados o en una zona con poca ventilación. El escape del motor contiene monóxido de carbono, un gas inodoro y letal.
	ADVERTENCIA — SUPERFICIE CALIENTE Las piezas del motor, especialmente el silenciador, se recalientan durante la operación. Deje que el motor y el silenciador se enfríen antes de tocarlos.



ADVERTENCIA: Su responsabilidad—Limite el uso de esta máquina motorizada a las personas que lean, comprendan y cumplan las advertencias e instrucciones que aparecen en este manual y en la máquina.

¡GUARDE ESTAS INSTRUCCIONES!

MONTAJE

IMPORTANTE: Esta unidad se envía sin gasolina ni aceite en el motor. Antes de operar la máquina cargue el motor con gasolina y aceite como se indica en la sección Funcionamiento de este manual.

NOTA: Las referencias a los lados derecho e izquierdo de la cultivadora se hacen observando la máquina desde la posición de operación.

APERTURA DE LA CAJA DE CARTÓN

1. Retire las grapas, rompa el pegamento de las aletas superiores o corte la cinta del extremo de la caja y tire a lo largo de la aleta superior para abrirla.
2. Saque todas las piezas sueltas.
3. Corte a lo largo de las esquinas, extienda la caja hacia abajo en forma plana.
4. Quite el material de empaque suelto.

CÓMO SACAR LA UNIDAD DE LA CAJA

1. Use la barra de control para elevar y tirar de la cultivadora hacia atrás hasta un área plana. Inspeccione minuciosamente la caja para detectar si hay piezas sueltas.
2. Estire el cable de control y extiéndalo en el piso. Tenga cuidado de no doblar ni torcer el cable de control.

PIEZAS SUELTAS DENTRO DE LA CAJA

- Montaje de las barras de control
- Cultivadora
- Aceite del motor
- Manual del Operador
- Varilla de cambio
- Estaca de profundidad

⚠ ADVERTENCIA

Antes del montaje, desconecte el cable de la bujía y póngalo haciendo masa contra el motor para evitar que se encienda accidentalmente.

ACOPLE DE LA ESTACA DE PROFUNDIDAD

1. Incline la cultivadora hacia adelante hasta que descansa sobre el contrapeso frontal.
2. Desenrosque la perilla en "T" de la parte superior de la estaca de profundidad y retire la arandela plana y el perno hexagonal. Saque el pasador de chaveta del pasador de horquilla. Vea la Figura 1.
3. Levante el montaje de la aleta con bisagras del protector de dientes e inserte el montaje de la estaca de profundidad en la ranura, debajo del protector y para arriba a través del montaje protector de dientes.
4. Inserte el pasador de horquilla en los montajes del protector de dientes y de la estaca de profundidad. Asegure con el pasador de chaveta.
5. Inserte un perno hexagonal en el orificio superior del montaje de la estaca de profundidad. Coloque la arandela plana sobre el perno hexagonal y enrosque la perilla en "T" en el perno

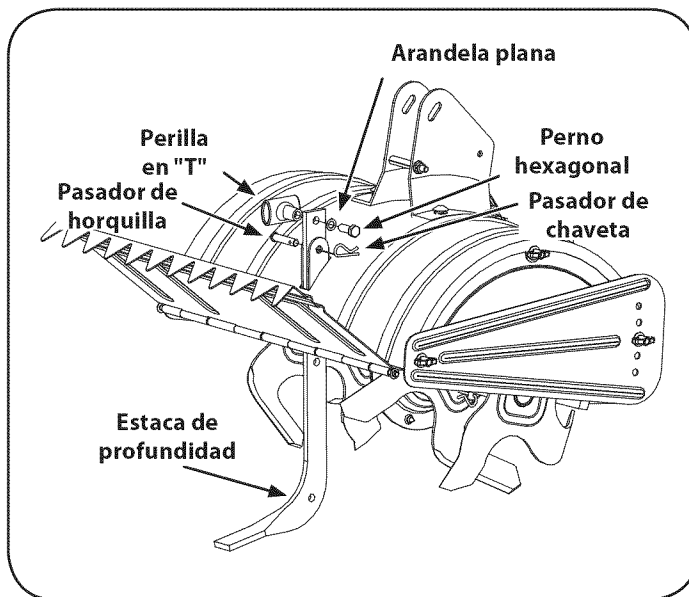


Figura 1

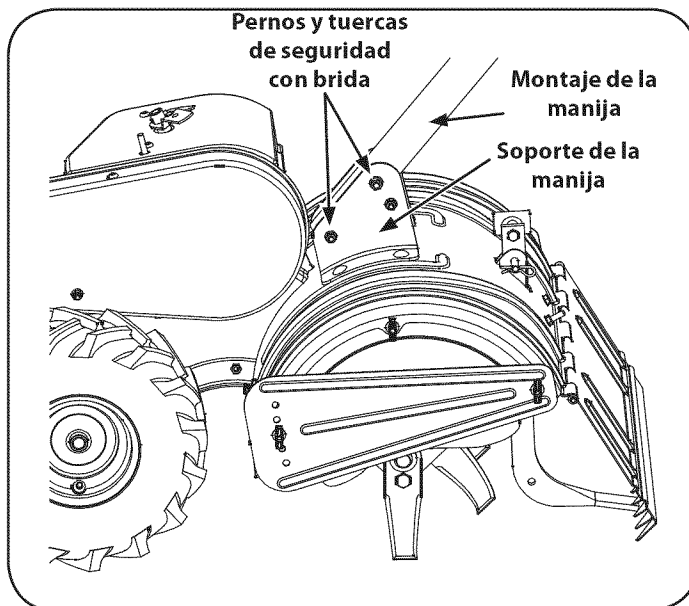


Figura 2

hexagonal. Ajuste bien. Vea la Figura 1.

6. Incline la cultivadora hacia atrás nuevamente hasta que descansa sobre los dientes.

INSTALACIÓN DE LA MANIJA

1. Retire los dos pernos superiores y las tuercas de seguridad con reborde de los soportes de montaje de la manija, pero no retire el perno y la tuerca inferiores. Vea la Figura 2.
2. Posicione la unidad de la manija entre las ménsulas de montaje de la manija.
3. Alinee los orificios en la manija con los orificios en la ménsula y fijelos con los herrajes que acaba de extraer.

MONTAJE

ACOPLE DE LA VARILLA DE CONTROL

1. Asegúrese de que la unidad de la manija esta en la posición más alta. Remítase a la Sección de Funcionamiento.
2. Retire los broches de horquilla de la varilla de control, coloque las arandelas de goma en su lugar.
3. Inserte el extremo más corto, angulado de la varilla de control a través de la ménsula del indicador sobre la cubierta de cambios y asegure con el broche de horquilla que quitara anteriormente. Vea la Figura 3.
4. Inserte el extremo más largo de la varilla de control a través del orificio de la manija selectora de cambios y asegure con un pasador de chaveta.

ACOPLE DEL CABLE DEL EMBRAGUE

1. Quite el perno de ojo roscado y la tuerca del extremo del cable.
2. Conduzca el cable del embrague por el lado derecho de las ménsulas de montaje de la manija y por debajo de la manija.
3. Empuje el cable a través del orificio del centro de la manija e introduzca a presión el accesorio plástico. Vea la Figura 4.
4. Retire el tornillo de cabeza ranurada, la tuerca y las dos arandelas planas del gancho del embrague. Vea la Figura 5.
5. Fije el perno de ojo roscado al gancho sujetándolo desde arriba con el tornillo de cabeza ranurada, las arandelas planas y la tuerca de seguridad.
6. Enrosque el perno de ojo y la tuerca que quitara anteriormente en el tubo con rosca interna que está en el extremo del cable. Debe enroscar un trozo de alrededor de 3/4". Apriete la tuerca contra el tubo en el extremo del cable. Vea la Figura 5.

NOTA: No ajuste demasiado el cable de embrague. Demasiada tensión podría romperlo. Asegúrese de comprobar el ajuste del cable de embrague antes de hacer funcionar la cultivadora.

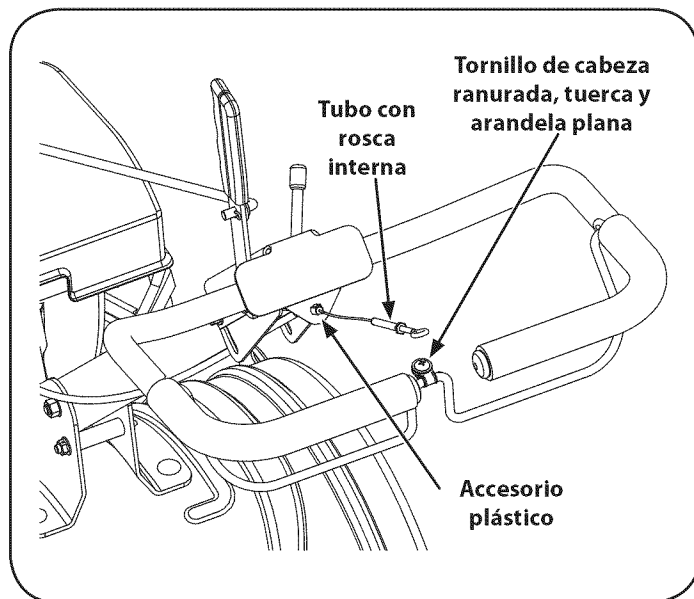


Figura 4

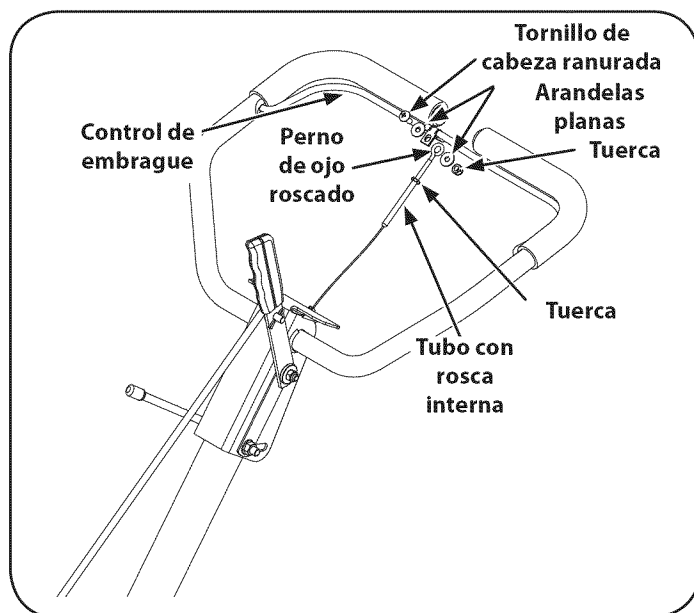


Figura 5

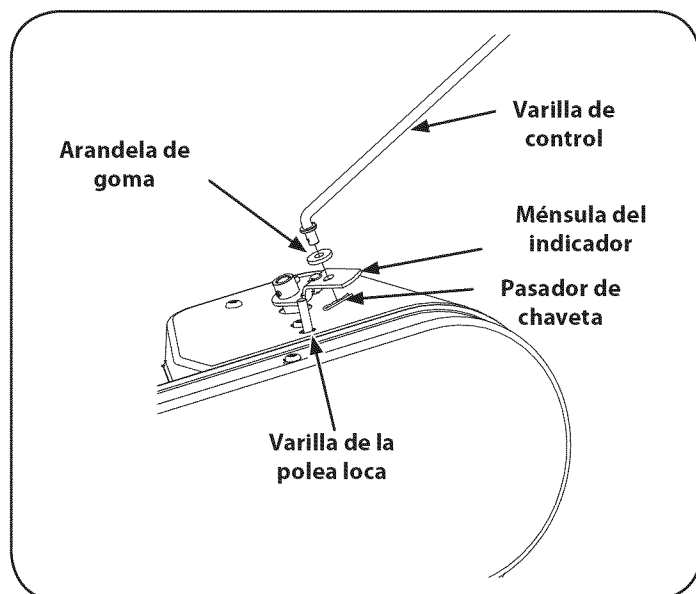


Figura 3

MONTAJE

AJUSTES

⚠ ADVERTENCIA

Antes de operar su cultivadora, lea atentamente y cumpla todas las instrucciones que aparecen a continuación. Realice todos los ajustes para verificar que la unidad está operando con seguridad y correctamente.

Compruebe el ajuste del cable del embrague de la siguiente forma:

1. Posicione la cultivadora para que el contrapeso frontal quede contra un objeto sólido, tal como una pared.
2. Con la palanca selectora de cambios en NEUTRAL, arranque el motor. Remítase a Arranque del Motor en la Sección Funcionamiento.
3. Desde el lado derecho de la cultivadora, examine la correa (dentro de la cubierta de la correa). No debe estar girando.
4. Si la correa gira sin el control de embrague conectado, ajuste desenroscando algunas vueltas en el sentido de las agujas del reloj (parado en la posición del operador) el tubo con rosca interna y luego volviendo a ajustar la tuerca contra el tubo. Vea la Figura 6.
5. Mueva ahora la palanca de cambios a la posición FORWARD (Marcha directa).
6. Con cuidado enganche el embrague levantando el control del embrague contra la manija. Las ruedas deben girar.
7. Si las ruedas no giran cuando la cultivadora está en marcha hacia adelante, ajuste desenroscando algunas vueltas en sentido contrario a las agujas del reloj (parado en la posición del operador) el tubo en el extremo del cable y luego volviendo a ajustar la tuerca contra el tubo. Vea la Figura 6.
8. Vuelva a comprobar los ajustes y repita si es necesario.

NOTA: Se dispone de un ajuste de cable secundario si llega a un punto donde hace falta un ajuste adicional. Retire la cubierta de la correa y mueva las tuercas hexagonales del otro extremo del cable hacia el final de la carcasa. Luego reajuste las tuercas hexagonales de la manija.

Compruebe el ajuste de la varilla de la polea loca de la siguiente forma:

1. Desconéctelos y haga masa con el cable de la bujía contra el motor.
2. Con el motor apagado y el control del embrague desenganchado, pase la manija selectora de cambios por todas las posiciones de marcha directa.
3. Verifique que la ménsula del indicador no toque la varilla de la polea loca con el control del embrague desenganchado.
4. Para reajustar la varilla de la polea loca, retire la cubierta de la correa como se describe en Reemplazo de Correa en la Sección de Servicio y Mantenimiento.
5. Retire el broche de horquilla y la arandela de resorte de la varilla de la polea loca. Vea la Figura 7.
6. Mueva la varilla de la polea loca al orificio más bajo de la ménsula intermedia.
7. Vuelva a colocar la arandela de resorte y el broche de horquilla.

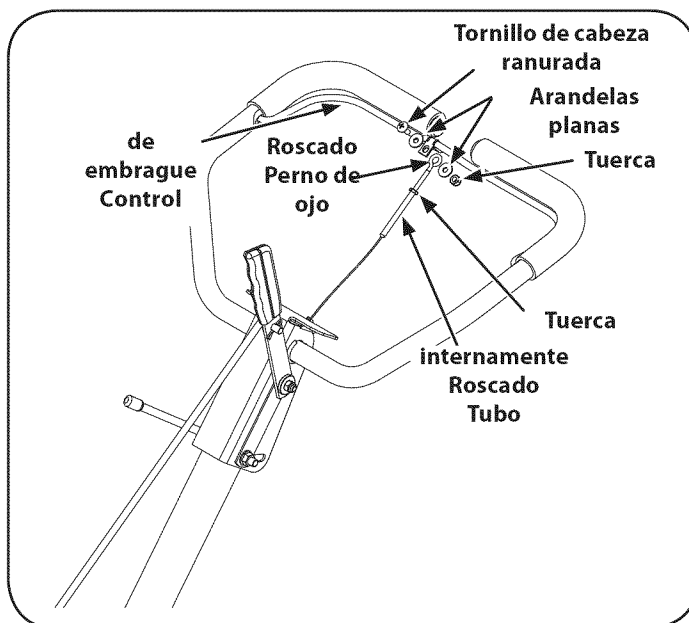


Figura 6

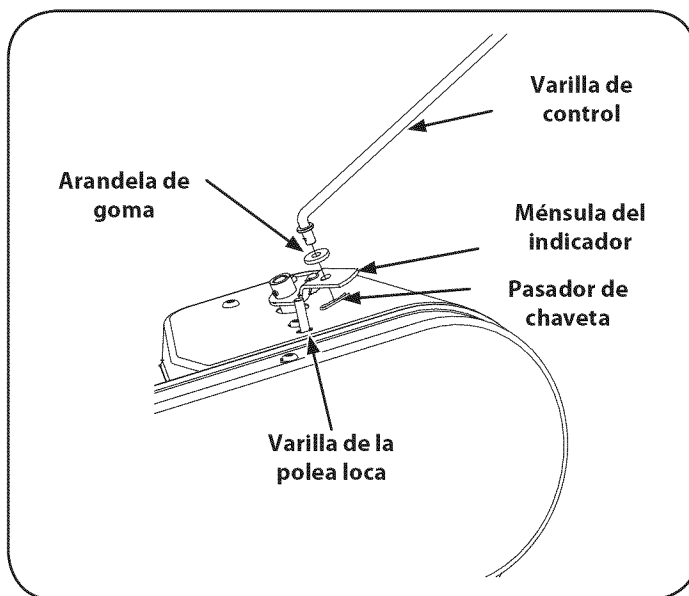


Figura 7

8. Compruebe el espacio libre entre la varilla de la polea loca y la ménsula del indicador cambiando a cada una de las marchas directas.

FUNCIONAMIENTO

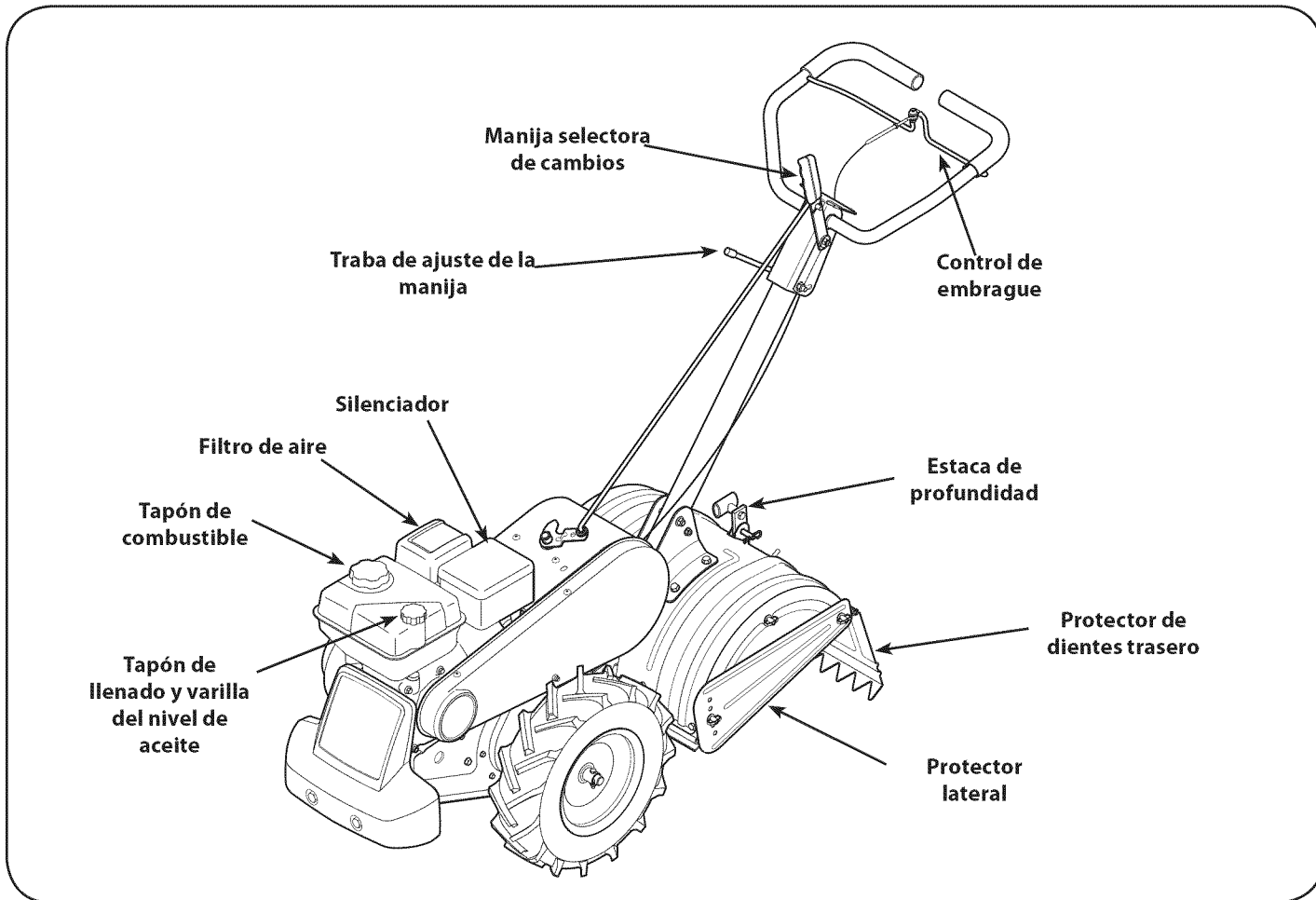


Figura 8

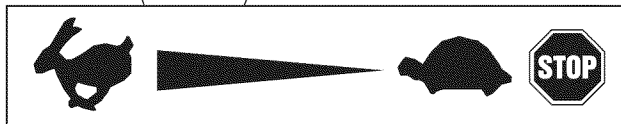
Ahora que tiene la cultivadora preparada para funcionar, familiarícese con los controles y funciones. Encontrará las descripciones en las siguientes dos páginas y las ilustraciones en ésta. Este conocimiento le permitirá utilizar su nuevo equipo a su máxima capacidad.

MANIJA DEL ARRANCADOR DE RETROCESO

Esta manija se utiliza para arrancar el motor.

CONTROL DEL REGULADOR

El control del regulador está ubicado en la parte lateral del motor. Regula la velocidad del motor, y lo apaga cuando se lo coloca en la posición STOP (detención).

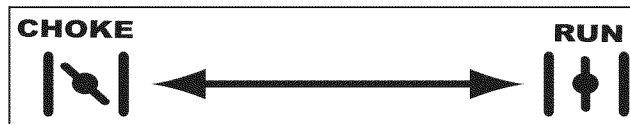


⚠ ADVERTENCIA

Al operar una cultivadora es posible que arroje objetos extraños a los ojos, lo cual podría causarles lesiones graves. Utilice siempre los anteojos de seguridad con esta unidad o protectores para ojos mientras labra y mientras realiza ajustes o reparaciones.

CONTROL DE OBTURACIÓN

El control del cebador se encuentra en la parte lateral del motor, y se activa haciendo girar la palanca a la posición CHOKE (cebador). Al activar el control del cebador se cierra la placa del cebador del carburador y esto ayuda a poner en marcha el motor.



Cumple con los estándares de seguridad de ANSI

Las cultivadoras Craftsman cumplen con las normas de seguridad del Instituto Nacional Americano de Normalización (ANSI).

FUNCIONAMIENTO

FILTRO DE AIRE

El filtro de aire es un dispositivo de la toma de aire del motor que impide la entrada de polvo y suciedad en el motor. Vea la Figura 8.

SILENCIADOR

El escape del motor sale del motor a través del silenciador. Vea la Figura 8.

TAPÓN DE LLENADO Y VARILLA DEL NIVEL DE ACEITE

Es posible controlar el nivel de aceite del motor, así como también agregar aceite, a través del llenado de aceite. Vea la Figura 8.

NOTA: Esta unidad se entrega SIN aceite en el motor. Se incluye aceite en la bolsa plástica empacada con el manual de la unidad. Agregue aceite como se indica en la sección Carga de gasolina y de aceite. Controle el nivel de aceite antes de cada operación para asegurarse de que haya aceite suficiente en el motor. Para más información, consulte las instrucciones de la sección Mantenimiento del motor de este manual.

MANIJA SELECTORA DE CAMBIOS

La manija selectora de cambios está ubicada en la parte frontal del montaje de la manija. Se utiliza para seleccionar NEUTRAL, REVERSE (Marcha atrás), o uno de los modos de FORWARD (Marcha directa). Vea la Figura 8.

CONTROL DE EMBRAGUE

El control del embrague está ubicado debajo de la manija. Para engranar los mecanismos de las ruedas y de la transmisión se aprieta el control del embrague contra la manija. Vea la Figura 8.

ESTACA DE PROFUNDIDAD

Esta palanca controla la profundidad de labranza de los dientes. Tire del pasador de chaveta hacia afuera del pasador de horquilla para ajustar la profundidad de la labranza a cinco ajustes diferentes. Vea la Figura 8.

TRABA DE AJUSTE DE LA MANIJA

La manija puede ajustarse a la altura deseada destrabando la traba de ajuste de la manija, luego moviendo las barras de la manija a la posición deseada y luego volviendo a trabar la traba de ajuste de la manija. Vea la Figura 8.

PROTECTOR DE DIENTES TRASERO

El protector de dientes trasero protege al operador de los desechos que vuelan y al mismo tiempo aplanan el suelo recién labrado. Vea la Figura 8.

PROTECTOR LATERAL

El protector lateral sirve para mantener hileras definidas y parejas y se puede ajustar en una de cinco posiciones diferentes. Vea la Figura 8.

DIENTES

Los dientes de la cultivadora son una serie de azadas alineadas en un eje giratorio de potencia.

FUNCIONAMIENTO

LLENADO DE GASOLINA Y ACEITE

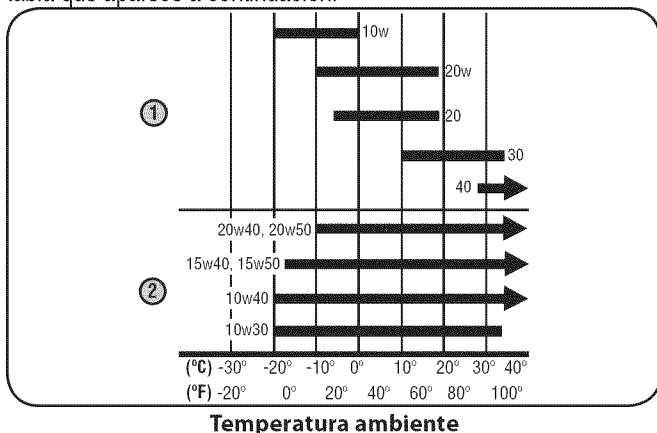
Aceite (se envía una botella con la unidad)

Primer uso

1. Saque la varilla del nivel de aceite.
2. Con la cultivadora sobre terreno nivelado, utilice un embudo para vaciar dentro del motor todo el contenido de la botella de aceite suministrada con la unidad.
3. Vuelva a colocar la varilla de llenado de aceite y ajústela.

Usos posteriores

Use solamente un aceite detergente de alta calidad cuya clasificación de servicio API sea SF o SG. Seleccione el grado de viscosidad SAE del aceite según la temperatura de operación esperada. Cumpla la tabla que aparece a continuación.



4. Viscosidad monogrado
5. Viscosidad multigrado

Aunque los aceites de viscosidad múltiple (5W30, 10W30, etc.) mejoran el encendido cuando el clima está frío, los mismos incrementan el consumo de aceite cuando se usan a más de 32°F. Compruebe el nivel de aceite con mayor frecuencia para evitar daños debido a que el motor trabaje con un nivel de aceite bajo.

1. Compruebe el nivel de aceite asegurándose que la varilla del nivel de aceite no roce con las paredes interiores del tubo de llenado de aceite. De hacerlo se puede producir una lectura falsa de la varilla del nivel de aceite. Seque la varilla de medición con un trapo. Vuelva a colocarla en el cuello de llenado de aceite pero no la atornille. Saque la varilla y verifique el nivel de aceite. Llène hasta la marca FULL (lleno) de la varilla del nivel de aceite, si es necesario. La capacidad es de aproximadamente 20 onzas. Llenarlo en exceso hace que el motor eche mucho humo y disminuye el rendimiento.
2. Vuelva a colocar la varilla de llenado de aceite y ajústela.
3. Mantenga el nivel de aceite en la marca FULL. Si pone el motor en marcha con muy poco aceite le puede causar daños permanentes.

⚠️ ADVERTENCIA

Tenga mucho cuidado al trabajar con gasolina. La gasolina es sumamente inflamable y sus vapores pueden causar explosiones. Nunca cargue combustible en la máquina en un espacio cerrado o cuando el motor está caliente o en marcha. Apague cigarrillos, pipas y otras fuentes de combustión.

Gasolina

1. Saque la tapa del combustible del depósito del mismo.

⚠️ PRECAUCIÓN

Los combustibles con mezcla de alcohol (que se llaman gasohol, o que utilizan etanol o metanol) pueden atraer la humedad, lo que conduce a la separación y formación de ácidos durante el almacenamiento. El gas ácido puede dañar el sistema de combustible de un motor durante el almacenamiento del mismo.

⚠️ PRECAUCIÓN

Para evitar problemas con el motor, el sistema de combustible debe ser vaciado antes de almacenar la máquina durante 30 días o más. Vacíe el tanque de nafta, encienda el motor y déjelo funcionar hasta que las líneas de combustible y el carburador estén vacíos. La siguiente temporada use combustible nuevo. Consulte las Instrucciones de ALMACENAMIENTO si desea información adicional.

⚠️ PRECAUCIÓN

No use nunca productos de limpieza para motores o carburadores en el depósito de combustible, se pueden ocasionar daños permanentes.

2. Verifique que el recipiente del que va a verter la gasolina esté limpio y libre de óxido o de objetos extraños. No use nunca gasolina que pueda estar vieja por haber estado almacenada en su recipiente por largos períodos. La gasolina que ha estado estacionada por un período superior a cuatro semanas debe considerarse vieja.
3. Llène el tanque de combustible sólo con gasolina normal sin plomo, limpia y fresca. No use gasolina que contenga METANOL. Vuelva a colocar la tapa de combustible en su lugar.

NOTA: Verifique periódicamente el nivel de combustible para evitar quedarse sin gasolina mientras está operando la cultivadora.

PARA ENCENDER EL MOTOR

1. Conecte el cable de la bujía y la manga de goma a la misma.
2. Llène el depósito con no más de 1/2 pulgada por debajo de la parte inferior del cuello de llenado para ofrecer espacio para la expansión del combustible.

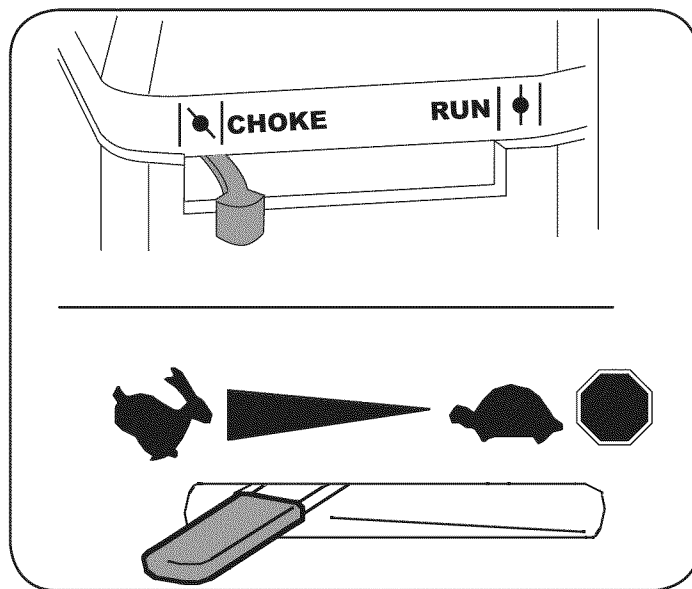


Figura 9

FUNCIONAMIENTO

- Coloque la palanca selectora de cambios en NEUTRAL.
- Mueva la palanca del cebador del motor a la posición CHOKE (Si el motor está tibio puede no ser necesario cebarlo). Vea la Figura 9.
- Mueva la palanca de control del regulador a la posición START/RUN (encendido / funcionando, representado por una liebre). Vea la Figura 9.
- Situado al lado de la unidad, tome la manija del arrancador y tire de la cuerda hasta que sienta un tirón.
- Tire de la cuerda de manera rápida y continua. Mantenga un ajuste firme sobre la manija del arrancador. Deje que la cuerda se enrolle lentamente.
- Repita este paso, de ser necesario, hasta que se encienda el motor. Cuando el motor arranque, mueva el control del cebador gradualmente hasta la posición RUN.
- Si el motor falla, vuelva el control del cebador a la posición CHOKE y repita los pasos 5 a 8.
- Mantenga SIEMPRE el control del estrangulador en posición START/RUN (encendido / funcionando) mientras opere la cultivadora.

PARA DETENER EL MOTOR

- Para detener las ruedas y los dientes, suelte el control del embrague.
- Mueva la palanca de control del regulador hasta la posición SLOW (lento, representado por una tortuga). Siempre que sea posible, reduzca gradualmente la velocidad del motor antes de detenerlo.
- Mueva la palanca de control del regulador a la posición STOP (detención) u OFF (apagado).
- Desconecte el cable de la bujía y haga masa con el motor para evitar que se encienda accidentalmente el equipo al dejarlo sin vigilancia.

⚠ ADVERTENCIA

No empuje hacia abajo sobre las barras de control para intentar hacer que la cultivadora labore más profundo. Esto evita que las ruedas retengan la cultivadora y pueda permitir a los dientes propulsar la cultivadora rápidamente hacia adelante, lo cual podría ocasionar la pérdida de control, daños materiales o lesiones personales.

PARA ENGRANAR LA TRANSMISIÓN Y LOS DIENTES

- Para un movimiento hacia adelante de las ruedas, utilice la manija selectora de cambios y para propulsar los dientes tire del control del embrague hacia arriba contra la barra de control.
- Cuando realice la labranza, deje que las ruedas tiren de la máquina mientras los dientes cavan. Camine lentamente detrás de la cultivadora permitiendo que se mueva a su propio ritmo manteniendo la barra de control bien sujeta con los codos flexionados.
- Suelte la manija para detener las ruedas y los dientes.

Para conducir hacia atrás: (No realice labranza mientras se desliza marcha atrás.)

- Libere el control del embrague. Luego levante la barra de control hasta que los dientes se separen del suelo.
- Tire hacia atrás de la manija selectora de cambios y camine retrocediendo con la máquina.

Nota: En modo marcha atrás, los dientes invertirán la rotación.

DAR LA VUELTA CON LA CULTIVADORA

- Practique dar la vuelta con la cultivadora en un área abierta y nivelada. Tenga cuidado para mantener los pies y las piernas lejos de los dientes.
- Para comenzar a voltear, levante las barras de control hasta que los dientes se separen del suelo y el motor y los dientes estén balanceados por encima de las ruedas.
- Con la cultivadora equilibrada, empuje hacia el costado sobre la barra de control en la dirección en que se está volteando. Luego de dar la vuelta, introduzca lentamente los dientes en el suelo para reiniciar la labranza.

⚠ ADVERTENCIA

Cerciórese de que el cable de la bujía está desconectado y haciendo masa contra el motor antes de realizar cualquier ajuste.

AJUSTE DE LA PROFUNDIDAD

La profundidad de labranza está controlada por la estaca de profundidad que se puede regular en cinco posiciones diferentes. Ajuste los protectores laterales al regular la estaca de profundidad.

- Cuando use la cultivadora por primera vez, utilice el segundo orificio de ajuste de arriba (1" de profundidad de labranza).
- Para fracturar el césped y para cultivo superficial, utilice la posición que ofrece 1" de profundidad de labranza (segundo orificio de arriba). Coloque los protectores laterales en su posición más baja.
- Para mayor profundidad, levante la estaca y los protectores laterales y también haga una o dos pasadas más sobre el área.
- Para labrar tierra suelta, puede levantar la estaca de profundidad a su posición más alta (utilice el orificio de regulación inferior) para obtener la mayor profundidad de labranza. Suba los protectores laterales a su posición más alta.
- Para transportar la cultivadora, baje la estaca de profundidad (utilice el orificio de de regulación superior).

Para regular la estaca de profundidad, retire el pasador de horquilla y el pasador de chaveta. Mueva la estaca de profundidad a la posición deseada y fije con el pasador de horquilla y el pasador de chaveta. Vea la Figura 10.

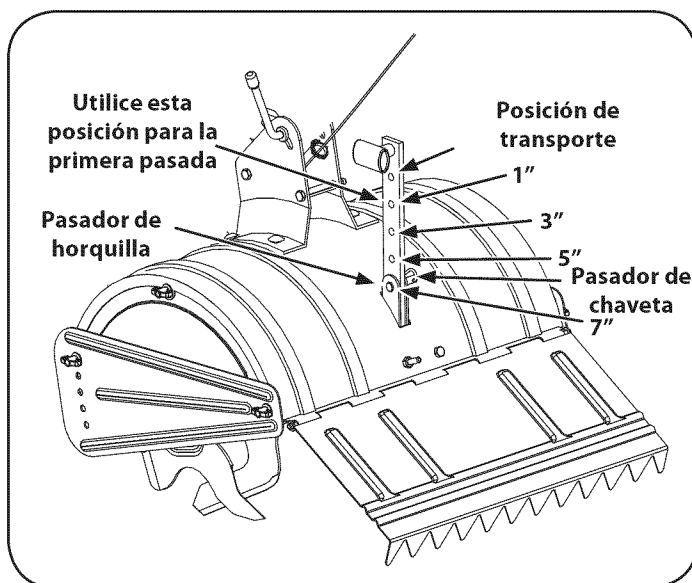


Figura 10

FUNCIONAMIENTO

Para regular los protectores laterales, saque las tuercas de mariposa. Mueva el protector lateral a la posición deseada y vuelva a colocar las tuercas de mariposa. Ajuste bien. Vea la Figura 11.

AJUSTE DE LA ALTURA DE LA MANIJA

La manija debe ajustarse para que cuando la cultivadora esté labrando a una profundidad de 3-4" en el suelo, la manija se encuentre aproximadamente a la altura de la cintura. Para ajustar la manija, simplemente destrabe la traba de ajuste de manija, luego mueva las barras de la manija a la posición deseada y vuelva a trabar la traba de ajuste de manija.

⚠ ADVERTENCIA

Antes de despejar los dientes a mano, detenga el motor, deje que todas las partes en movimiento se detengan y desconecte el cable de la bujía. Si no se observa esta advertencia se pueden producir lesiones personales.

LIMPIEZA DE LOS DIENTES

- Los dientes tienen una acción autolimpiante que elimina la mayor parte de los desechos que se enredan. Sin embargo, a veces se pueden enredar pasto seco, tallos fibrosos o enredaderas resistentes. Siga estos procedimientos para ayudar a evitar que se formen marañas en los dientes y para limpiarlos, si es necesario.
- Para reducir el enmarañado de elementos en los dientes, ajuste el regulador con un valor de profundidad suficiente para lograr una máxima acción de corte ya que los dientes "pican" los materiales contra el suelo. Asimismo, trate de realizar la labranza debajo de los residuos de cosecha o cultivos de cobertura mientras están verdes, húmedos y tiernos.
- Mientras realiza la labranza, trate de balancear las barras de control de un lado al otro (aproximadamente entre 6" y 12"). La acción de "coleado" a menudo despeja los dientes desprendiendo los desechos.

⚠ ADVERTENCIA

Antes de la labranza, póngase en contacto con la compañía telefónica o de servicios y pregunte si se encuentra equipamiento o líneas subterráneas en su terreno. No realice labranza cerca de donde hay cables eléctricos, líneas telefónicas, caños o mangueras enterrados.

SUGERENCIAS Y TÉCNICAS DE LABRANZA

la profundidad de la labranza

- Esta es una cultivadora de labranza con doble dirección (DDT). A medida que las ruedas tiran hacia adelante, los dientes rotan hacia atrás. A medida que las ruedas tiran hacia atrás, los dientes rotan hacia adelante. Esto crea una acción de "gancho" de los dientes que cavan en profundidad, arrancando de raíz suelo y malezas. No sobrecargue el motor, encambio cave tan profundamente como pueda en cada pasada. En pasadas posteriores las ruedas pueden tender a girar sobre la tierra suelta. Ayúdelas levantando ligeramente la barra de control (una mano, la palma hacia arriba, funciona con mucha facilidad).
- Evite la tentación de hacer presión sobre las barras de control para forzar a la cultivadora a cavar más profundo. Esto quita peso a las ruedas con potencia, haciéndoles perder tracción. Sin las ruedas para retener la cultivadora, los dientes intentarán propulsar la cultivadora hacia el operador o distanciándose del operador.

- Al realizar tareas de labranza (rompiendo la superficie de suelo alrededor de las plantas para destruir las malezas, vea la Fig. 12), ajuste los dientes para cavar únicamente a una profundidad de 1 a 2 pulgadas. La labranza a poca profundidad ayuda a evitar lesiones a las plantas cuyas raíces a menudo crecen cerca de la superficie. Si es necesario, levante las barras de control ligeramente para evitar que los dientes cavén demasiado profundo. (La labranza regular no sólo elimina malezas, sino que además afloja y airea el suelo para mejor absorción de la humedad y crecimiento más rápido de las plantas). Si se riega el área del jardín unos cuantos días antes de la labranza se facilitará esta tarea; también se contribuye permitiendo al suelo recién trabajado asentarse por uno o dos días antes de la pasada final, profunda, de la cultivadora.

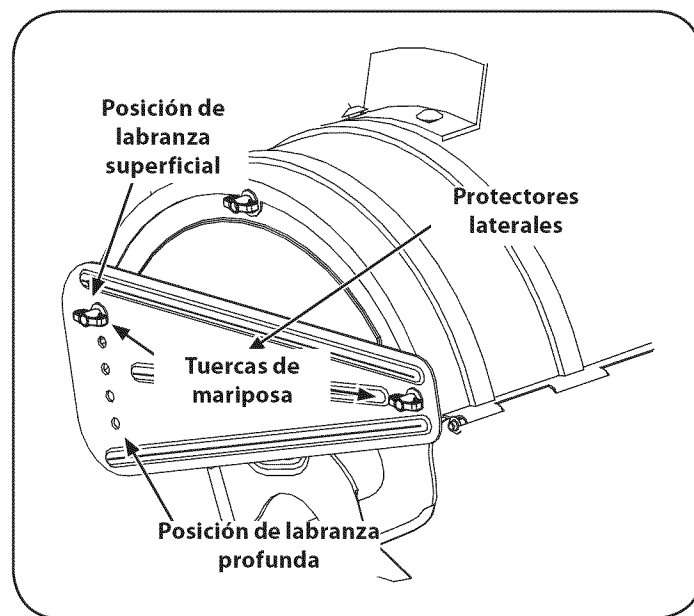


Figura 11

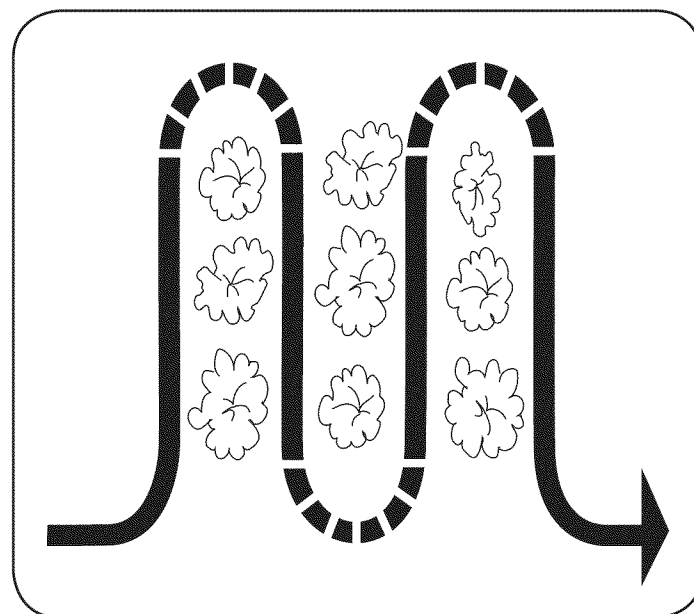


Figura 12

FUNCIONAMIENTO

Elección de la velocidad correcta para las ruedas y los dientes

Con experiencia, podrá encontrar la combinación de profundidad y velocidad de labranza más adecuada a las necesidades de su jardín. Ajuste la palanca del regulador del motor a una velocidad que dé al motor adecuada potencia y que al mismo tiempo le permita funcionar a la menor velocidad posible hasta que haya alcanzado la máxima profundidad de labranza deseada. Al realizar las pasadas finales a través del lecho de siembra o al realizar la labranza tal vez sea deseable utilizar velocidades más rápidas del motor. La selección de la velocidad correcta del motor, en relación con la profundidad de labranza, asegurará un nivel de potencia suficiente para hacer la tarea sin someter al motor a excesiva exigencia.

Modelos de labranza sugeridos

- Al preparar el lecho de siembra, recorra la misma senda dos veces en la primera hilera, luego traslape la mitad del ancho de la cultivadora en el resto de las pasadas. Vea la Figura 13.
- Cuando termine en una dirección, realice una segunda pasada en ángulo recto, vea la Fig. 14. Traslape cada pasada para obtener el mejor resultado (en terreno muy duro, puede ser necesario realizar tres o cuatro pasadas para pulverizar el suelo a fondo).
- Si las dimensiones del jardín no permiten la labranza en sentido longitudinal y luego transversal, traslape las primeras pasadas por la mitad del ancho de la cultivadora, continuando con sucesivas pasadas a un cuarto del ancho. Vea la Figura 15.

⚠ ADVERTENCIA

No opere la cultivadora en una pendiente demasiado empinada para una operación segura. Realice la labranza lentamente y asegúrese de estar firmemente parado. Nunca permita que la cultivadora se desplace con las ruedas libres cuesta abajo. Si no se observa esta advertencia se pueden producir lesiones personales.

Labranza en pendiente

1. Realice la labranza únicamente en pendientes moderadas, nunca en terreno demasiado empinado donde sea difícil mantener la estabilidad.
2. Se recomienda labrar subiendo y bajando las pendientes en lugar de hacerlo en forma de terrazas. La labranza vertical en una pendiente permite un área máxima de plantación y además deja espacio para el cultivo.

NOTA: Cuando realice la labranza en pendientes, asegúrese de mantener el nivel de aceite correcto en el motor (controle cada media hora de funcionamiento). La inclinación de la pendiente hace que el aceite se mueva en sentido oblicuo respecto de su nivel normal y esto puede subalimentar ciertas partes del motor que requieren lubricación. Mantenga el nivel de aceite de motor en el punto más alto en todo momento.

Labranza cuesta arriba y cuesta abajo

1. Para mantener la erosión del suelo al mínimo, asegúrese de agregar suficiente materia orgánica al suelo para que mantenga un nivel de humedad adecuado, y trate de evitar dejar pisadas o marcas de ruedas.
2. Al realizar la labranza verticalmente, trate de hacer la primera pasada hacia arriba ya que la cultivadora cava con mayor profundidad cuando sube que cuando baja. En suelo blando o donde hay malezas, puede ser necesario que levante las barras de control levemente al ir cuesta arriba. Al realizar la labranza cuesta abajo, traslape la primera pasada en aproximadamente la mitad del ancho de la cultivadora.

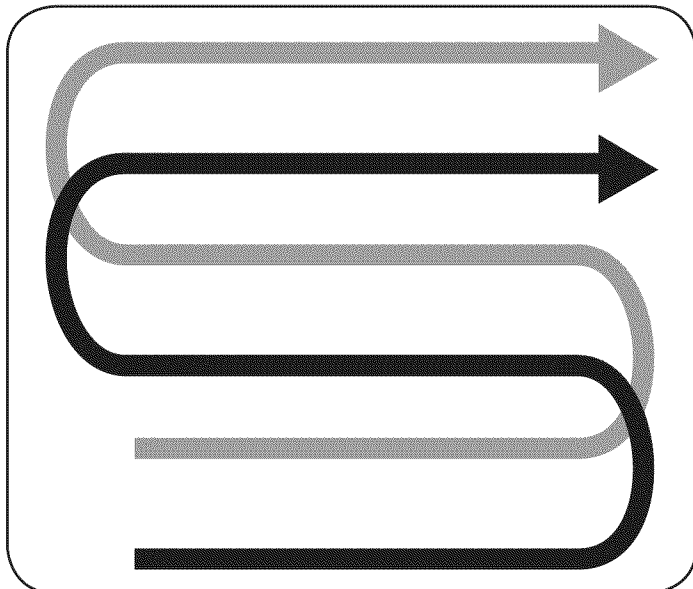


Figura 13

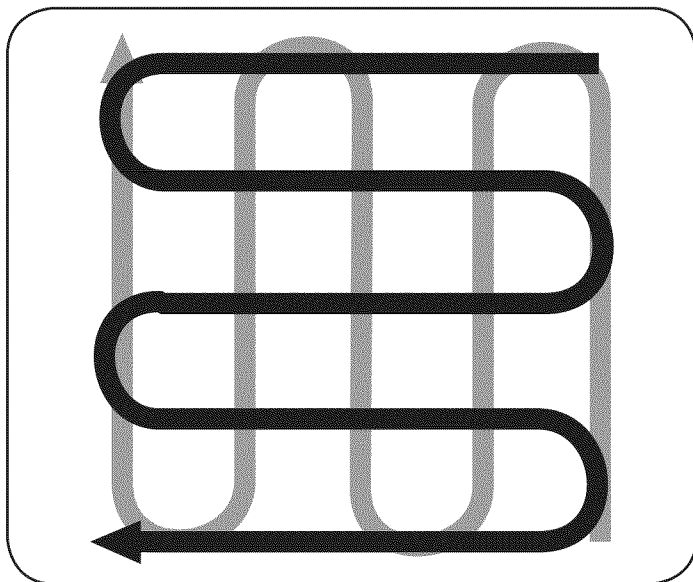


Figura 14

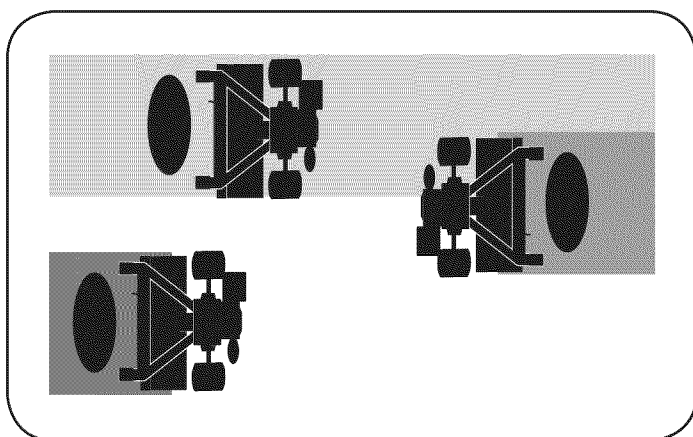


Figura 15

FUNCIONAMIENTO

Jardinería en terrazas

1. Para crear una terraza, comience en la cima de la pendiente y trabaje hacia abajo. Recorra la primera hilera hacia atrás y hacia adelante. Vea la Figura 16.
2. El trabajo en cada terraza inferior sucesiva comienza caminando en la terraza debajo de la que está preparando. Para mayor estabilidad de la cultivadora, siempre mantenga la rueda cuesta arriba en el suelo blando, recién labrado. No realice la labranza en las últimas 12" o más del borde exterior cuesta abajo de cada terraza. Esta franja sin labrar ayuda a evitar que las terrazas se quiebren y desintegren cuesta abajo. También proporciona una senda para caminar entre las hileras.

⚠ ADVERTENCIA

La carga y descarga de la cultivadora en un vehículo es potencialmente peligrosa y no se recomienda a menos que sea absolutamente necesario, ya que esto podría resultar en lesiones personales o daños materiales.

Carga y descarga de la cultivadora

Si debe cargar o descargar la cultivadora, siga las pautas que se suministran a continuación.

- Antes de cargarla o descargarla, apague el motor, espere a que todas las piezas se detengan, desconecte el cable de la bujía y deje que el motor y el silenciador se enfríen.
- La cultivadora es demasiado pesada y voluminosa para que una persona la levante con seguridad. Dos o más personas deben repartirse la carga.
- Use rampas resistentes y haga rodar la cultivadora manualmente (con el motor apagado) para subirla o bajarla del vehículo. Para realizar esto se necesitan dos o más personas.
- Las rampas deben ser lo suficientemente fuertes como para soportar el peso combinado de la cultivadora y de los cargadores. Las rampas deben proporcionar buena tracción para evitar resbalones, deben tener rieles laterales para guiar la cultivadora a lo largo de las mismas y deben estar equipadas con un dispositivo de sujeción que las sujete al vehículo.
- Los cargadores deben usar calzado resistente que los ayude a evitar resbalones.
- Posicione el vehículo de carga de modo que el ángulo de la rampa sea lo más plano posible (cuanto menos inclinada sea la rampa, mejor). Apague el motor del vehículo y ponga el freno de estacionamiento.
- Al subir rampas, párese en posición de funcionamiento normal detrás de la cultivadora y empújela. Una persona a cada lado debe hacer girar las ruedas.
- Al bajar rampas, camine retrocediendo con la cultivadora en retaguardia. Manténgase alerta por si hay algún obstáculo detrás. Posicione una persona en cada rueda para controlar la velocidad de la cultivadora. Nunca baje la rampa con la cultivadora en primer lugar, ya que la máquina podría voltearse hacia adelante.
- Coloque bloques de madera del lado de las ruedas pendiente abajo si necesita detener la cultivadora mientras baja por la rampa. Además, use los bloques para mantener la cultivadora temporalmente en su lugar en las rampas (en caso de ser necesario), y para calzar las ruedas en su lugar una vez que la cultivadora se encuentre en el vehículo.

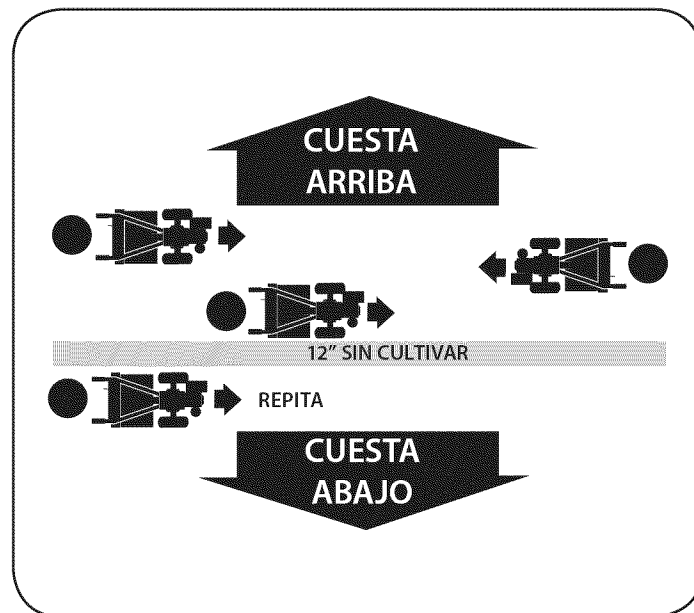


Figura 16

- Después de cargar la cultivadora, evite que la misma se mueva trabando las ruedas con bloques y ajuste firmemente la cultivadora hacia abajo.

SERVICIO Y MANTENIMIENTO

PROGRAMA DE MANTENIMIENTO

⚠ ADVERTENCIA

Antes de realizar cualquier tipo de mantenimiento o servicio, desenganche todos los controles y detenga el motor. Espere a que se detengan completamente todas las piezas móviles. Desconecte el cable de la bujía y póngalo haciendo masa contra el motor para evitar que se encienda accidentalmente. Utilice siempre anteojos de seguridad durante el funcionamiento o mientras ajusta o repara este equipo.

Siga el cronograma de mantenimiento que se presenta a continuación. Esta tabla sólo describe pautas de servicio. Utilice la columna Registro de Servicio para hacer el seguimiento de las tareas de mantenimiento completadas. **Para ubicar el Centro de Servicio Sears más cercano o para programar un servicio, simplemente comuníquese con Sears al teléfono 1-800-4-MY-HOME®.**

Intervalo	Artículo	Servicio	Registro de servicio
Cada uso	<ol style="list-style-type: none"> Nivel de aceite del motor Piezas sueltas o faltantes Motor y alrededor del silenciador Purificador de aire 	<ol style="list-style-type: none"> Verificar Ajuste o reemplace Limpieza Verificar 	
Tras 2 horas	<ol style="list-style-type: none"> Tensión de la correa de transmisión Tuercas y pernos 	<ol style="list-style-type: none"> Verificar Verificar 	
Tras 5 horas	<ol style="list-style-type: none"> Aceite del motor 	<ol style="list-style-type: none"> Cambiar 	
Cada 10 horas	<ol style="list-style-type: none"> Tensión de la correa de transmisión Unidad 	<ol style="list-style-type: none"> Verificar Lubrique 	
Cada 25 horas	<ol style="list-style-type: none"> Bujía de encendido 	<ol style="list-style-type: none"> Verificar 	
Cada 30 horas	<ol style="list-style-type: none"> Desgaste de los dientes Presión de los neumáticos 	<ol style="list-style-type: none"> Verificar Verificar 	
Cada 50 horas	<ol style="list-style-type: none"> Aceite del motor† 	<ol style="list-style-type: none"> Cambiar 	
Cada 100 horas	<ol style="list-style-type: none"> Purificador de aire Bujía de encendido 	<ol style="list-style-type: none"> Cambiar Cambiar 	
Antes de almacenar	<ol style="list-style-type: none"> Sistema de combustible 	<ol style="list-style-type: none"> Hacer funcionar el motor hasta que se detenga por falta de combustible o agregar aditivo para gasolina a la que se encuentra en el tanque. 	

† Cambie el aceite cada veinticinco horas si el motor trabaja con carga pesada o a temperaturas elevadas.

⚠ ADVERTENCIA

siempre detenga el motor y desconecte el cable de la bujía antes de hacer cualquier tipo de mantenimiento o ajustes. Utilice siempre anteojos de seguridad durante el funcionamiento o mientras ajusta o repara este equipo.

RECOMENDACIONES GENERALES

- Siempre observe todas las reglas de seguridad que se encuentran en las etiquetas del producto y en el manual del operador cuando va a realizar mantenimiento. Las reglas de seguridad se encuentran en las etiquetas del producto y en este manual del operador a partir de la página 3.
- La garantía de esta cultivador no cubre elementos que han estado sujetos al mal uso o negligencia del operador. Para recibir el reintegro total de la garantía, el operador deberá mantener el equipo tal como se indica en este manual.
- Algunos ajustes deben ser realizados periódicamente para el mantenimiento adecuado de la unidad.
- Revise periódicamente todos los sujetadores y compruebe que estén bien ajustados.

MANTENIMIENTO DEL MOTOR

⚠ ADVERTENCIA

NO pruebe la chispa si no está la bujía de encendido. NO dé arranque al motor si no está la bujía de encendido.

⚠ ADVERTENCIA

Si el motor ha estado funcionando, el silenciador estará muy caliente. Tenga cuidado de no tocar el silenciador.

⚠ PRECAUCIÓN

La bujía debe estar firmemente asegurada. Si la bujía no está bien asegurada puede calentarse mucho y dañar el motor.

Control de la bujía de encendido

Para asegurarse de que el motor funcione bien, la bujía debe tener una separación correcta y debe estar libre de depósitos. Controle la bujía cada 25 horas y reemplácela cada 100 horas.

SERVICIO Y MANTENIMIENTO

1. Retire la funda de bujía y utilice una llave para bujías para extraer la bujía. Vea la Figura 17.
2. Inspeccione visualmente la bujía. Elimine la bujía si presenta mucho desgaste, o si el aislante está agrietado o astillado. Limpie la bujía con un cepillo de alambre si se va a reutilizar.
3. Mida la separación de bujía con un calibrador. Corrija de ser necesario torciendo el electrodo lateral. Vea la figura 18. La separación debe establecerse en 0,030 pulg.
4. Verifique que la arandela de la bujía esté en buenas condiciones y coloque la bujía enroscándola a mano para no estropear la rosca.
5. Una vez que la bujía está asentada en su lugar, ajuste con una llave para bujía para comprimir la arandela.

NOTA: Cuando instale una bujía nueva, una vez asentada la bujía, ajuste 1/2 vuelta para comprimir la arandela. Cuando vuelva a colocar una bujía usada, una vez asentada la bujía ajuste 1/8 - 1/4 de vuelta para comprimir la arandela.

⚠ ADVERTENCIA

Nunca use gasolina o solventes de punto de encendido bajo para limpiar el elemento del depurador de aire. Podría producirse un incendio o explosión.

Mantenimiento del filtro de aire.

El filtro de aire evita el ingreso al carburador de suciedad, polvo, etc. perjudiciales y evita que los mismos sean introducidos dentro del motor. Además, dicho filtro es importante para la vida útil y el rendimiento del motor. No ponga nunca en funcionamiento el motor sin haber montado totalmente el filtro de aire. Verifique el depurador de aire antes de cada uso.

Los filtros de papel no se pueden limpiar. Se deben reemplazar una vez al año o cada 100 horas de funcionamiento y con mayor frecuencia si se utilizan en lugares donde hay gran cantidad de polvo.

1. Oprima la pestaña de la tapa del filtro de aire, levante la tapa y retire el filtro. Vea la Figura 19.
2. Deseche el filtro de aire usado.
3. Instale el filtro de aire nuevo.
4. Cierre la cubierta.

NOTA: si el filtro está roto o dañado, cámbielo.

⚠ PRECAUCIÓN

No rocíe el motor con agua para limpiarlo porque el agua podría contaminar el combustible. Si se utiliza una manguera de jardín o equipo de lavado a presión también puede entrar agua dentro de la abertura del silenciador. El agua que pasa por el silenciador puede ingresar en el cilindro, causando daños.

⚠ ADVERTENCIA

La acumulación de residuos alrededor del silenciador podría producir un incendio. Inspecciónelo y límpielo antes de cada uso.

Limpieza del motor

Si el motor ha estado funcionando, déjelo enfriar durante por lo menos media hora antes de limpiarlo. De manera regular, elimine la acumulación de suciedad del motor. Limpie alrededor del silenciador. Limpie con un cepillo o aire comprimido.

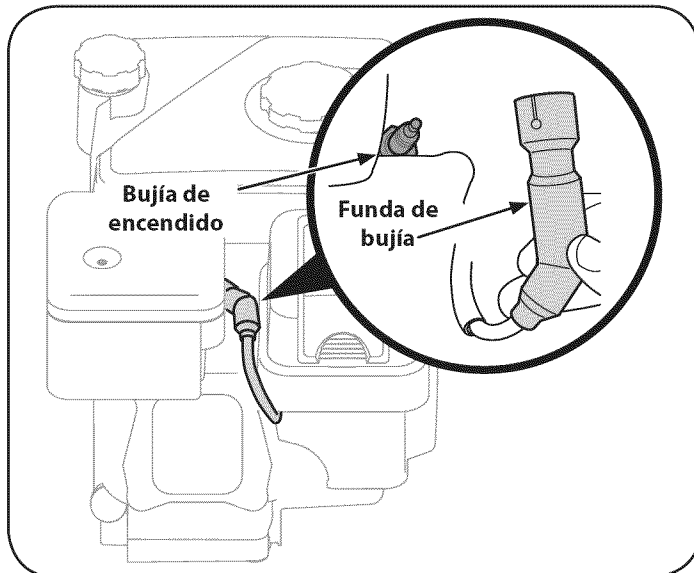


Figura 17

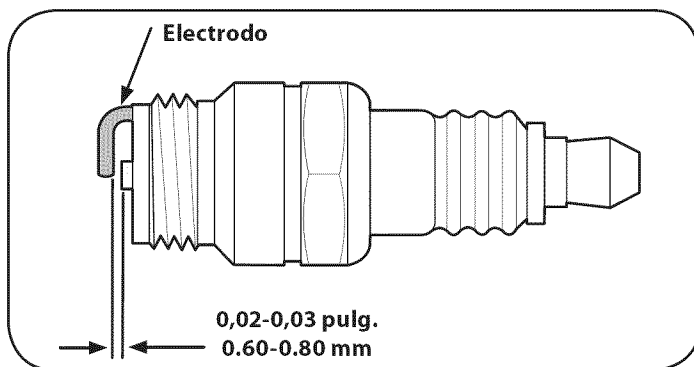


Figura 18

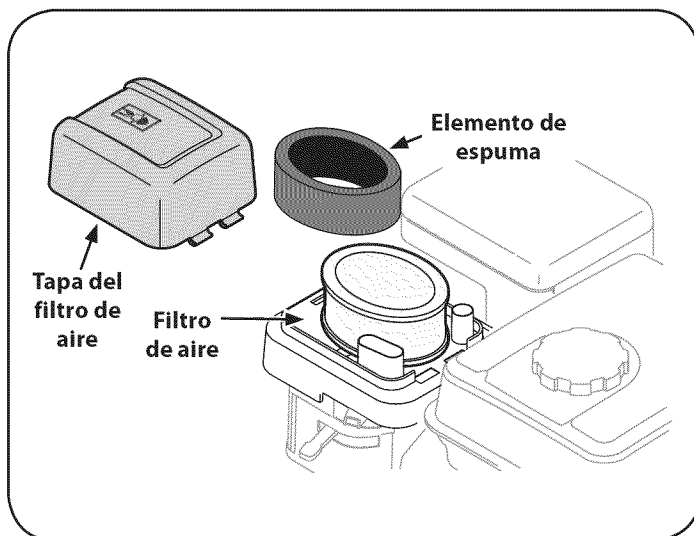


Figura 19

SERVICIO Y MANTENIMIENTO

Inspeccione el aceite del motor

1. Controle el aceite antes de cada uso. Detenga el motor y espere varios minutos antes de verificar el nivel de aceite. Con el motor ubicado en suelo parejo, el aceite debe estar en la marca FULL (lleno) de la varilla del nivel de aceite.
2. Extraiga la varilla de medición de aceite y séquela con un trapo.
3. Vuelva a colocarla en el cuello de llenado de aceite pero no la atornille. Saque la varilla y verifique el nivel de aceite. El nivel debería estar en la marca FULL (lleno)
4. Si es necesario, agregue aceite lentamente y vuelva a controlar. No lo llene en exceso.
5. Limpie la varilla, vuelva a colocarla sin ajustarla. Saque la varilla y verifique el nivel de aceite. El nivel de aceite debe alcanzar la marca FULL de la varilla.
6. Vuelva a colocar la varilla de medición de aceite y ajústela bien antes de poner en marcha el motor.

⚠ PRECAUCIÓN

NO utilice aceites sin detergente ni aceite para motor de dos tiempos. Podría reducirse la vida útil del motor.

Cambie el aceite del motor

- Se recomienda SAE 10W-30 para uso general, a todas las temperaturas. Cuando le agregue aceite al motor, consulte la tabla de viscosidad en la sección de funcionamiento. Use un aceite para motor de cuatro tiempos, o un aceite detergente de calidad premium equivalente con certificado que cubra o exceda las exigencias de los fabricantes de automóviles americanos respecto de la clasificación de servicio SG y SF. Los aceites para motor con la clasificación SG, SF tienen esta designación en el envase.
- Cambie el aceite del motor después de las primeras cinco a ocho horas de funcionamiento, y a partir de entonces cada cincuenta horas de funcionamiento o una vez por temporada. Cambie el aceite cada veinticinco horas si el motor trabaja con cargas pesadas o a elevada temperatura.

⚠ ADVERTENCIA

Antes de inclinar el motor o equipo para drenar el aceite, drene el combustible del depósito haciendo funcionar el motor hasta que el depósito de combustible esté vacío.

⚠ ADVERTENCIA

El aceite usado del motor puede causar cáncer de piel si entra en contacto con la piel de manera reiterada y por períodos prolongados. Si bien esto es improbable a menos que manipule aceite usado todos los días, sin embargo es recomendable lavarse bien las manos con agua y jabón inmediatamente después de haber manipulado aceite usado.

Drenaje del aceite

1. Vacíe el combustible del tanque haciendo funcionar el motor hasta que el tanque de combustible esté vacío. Cerciórese de que el tapón de llenado del combustible está bien ajustado.
2. Con el motor apagado pero todavía caliente, desconecte el cable de bujía y manténgalo alejado de la bujía.

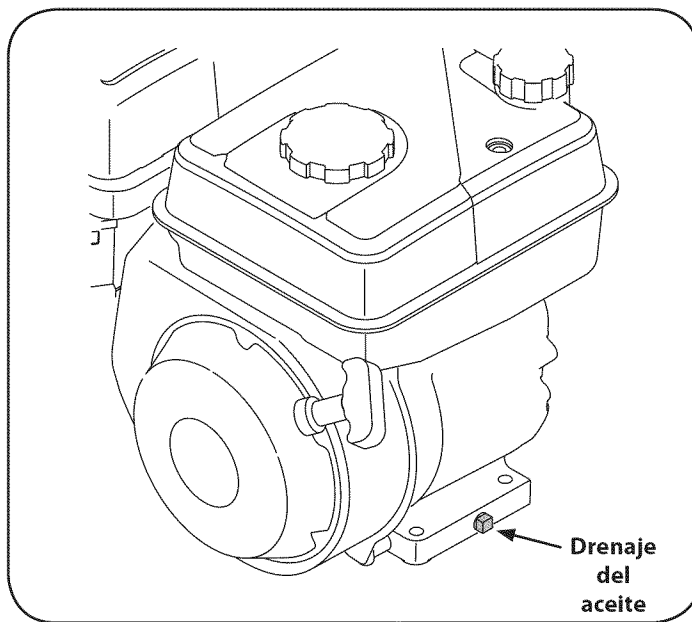


Figura 20

3. Extraiga la tapa de extremo de drenaje de aceite que se encuentra en la base del motor, y drene el aceite en un recipiente adecuado. Vea la Figura 20.

⚠ ADVERTENCIA

El aceite usado es un residuo peligroso. Deseche el aceite usado correctamente. No lo arroje junto con los residuos domésticos. Consulte a las autoridades locales o al centro de servicio Sears para averiguar dónde hay instalaciones para la eliminación/ reciclaje segura(o) del aceite usado.

4. Vuelva a colocar y ajuste la tapa de extremo de drenaje de aceite.
5. Cuando se ha drenado todo el aceite del motor, coloque el motor en una superficie nivelada. Vuelva a llenar con aproximadamente 20 onzas de aceite nuevo. Llene hasta la línea FULL (lleno) de la varilla de medición. No lo llene en exceso. Consulte Inspeccione el aceite del motor en la sección SERVICIO Y MANTENIMIENTO.
6. Vuelva a colocar el cable de la bujía antes de arrancar la unidad.

SERVICIO Y MANTENIMIENTO

Lubricación de la transmisión

La transmisión se entrega previamente lubricada y sellada en fábrica. No requiere verificación a menos que se desarme la transmisión. Para llenar de grasa, apoye la mitad derecha de la transmisión de costado, agregue 22 onzas de grasa Benalene 920, y monte la mitad izquierda sobre la derecha. Vaya a un Centro de Servicio Sears autorizado para que le cambien el aceite de la transmisión o para programar un servicio, simplemente comuníquese con Sears al teléfono 1-800-4-MY-HOME®.

LUBRICACIÓN

Después de cada 10 horas de funcionamiento, aceite o engrase los puntos de lubricación- Use aceite lubricante limpio (es adecuado el aceite para motores de peso #30) y grasa de uso general limpia (es preferible grasa que contenga un lubricante de metal, si hay disponible). Vea la Figura 21.

- Retire las ruedas, limpie el eje de las ruedas y aplíquelo una capa delgada de grasa.
- Engrase la parte posterior, el frente y los lados de la palanca del regulador de profundidad.
- Retire los dientes y limpie el eje de los dientes. Use una lima o papel de lija para quitar suavemente cualquier óxido, rebabas o asperezas (especialmente alrededor de los orificios del eje). Aplique grasa a los extremos del eje antes de instalar los dientes.
- Lubrique las roscas de la traba de ajuste de la barra de control y los tornillos de sujeción de la barra de control.
- Lubrique el punto de pivote en la palanca del embrague y el cable del embrague.

PRESIÓN DE LOS NEUMÁTICOS

Verifique la presión de aire en los dos neumáticos. La presión de aire se debe encontrar entre 15 PSI y 20 PSI. Mantenga los dos neumáticos inflados de forma pareja para evitar que la máquina tire hacia un lado.

HARDWARE

Verifique si hay herrajes sueltos o faltantes cada 10 horas de operación y ajústelos o cámbielos (según sea necesario) antes de volver a usar la cultivadora. Asegúrese de inspeccionar los tornillos que están debajo de la cubierta de la cultivadora que sujetan la cubierta de la transmisión y la palanca del regulador de profundidad a la transmisión.

⚠ ADVERTENCIA

Antes de llevar a cabo algún tipo de mantenimiento en la máquina, deje que todas las piezas se detengan y desconecte el cable de la bujía. Si no se observan estas instrucciones se pueden producir lesiones personales o daños materiales.

CAMBIO DE CORREA

Su cultivadora ha sido equipada con una correa diseñada para una vida útil prolongada y un óptimo rendimiento. Use únicamente correas autorizadas por el fabricante, ya que las correas genéricas pueden no desempeñarse satisfactoriamente. El procedimiento requiere habilidad mecánica media y herramientas habitualmente disponibles.

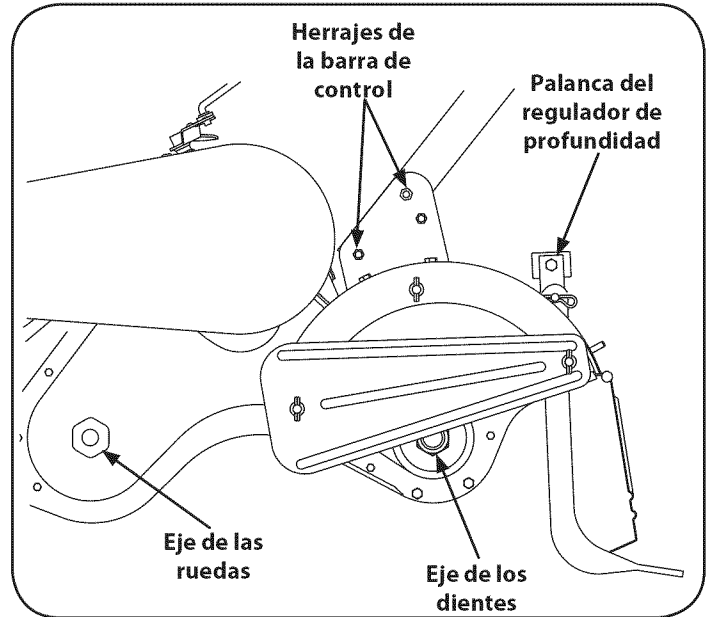


Figura 21

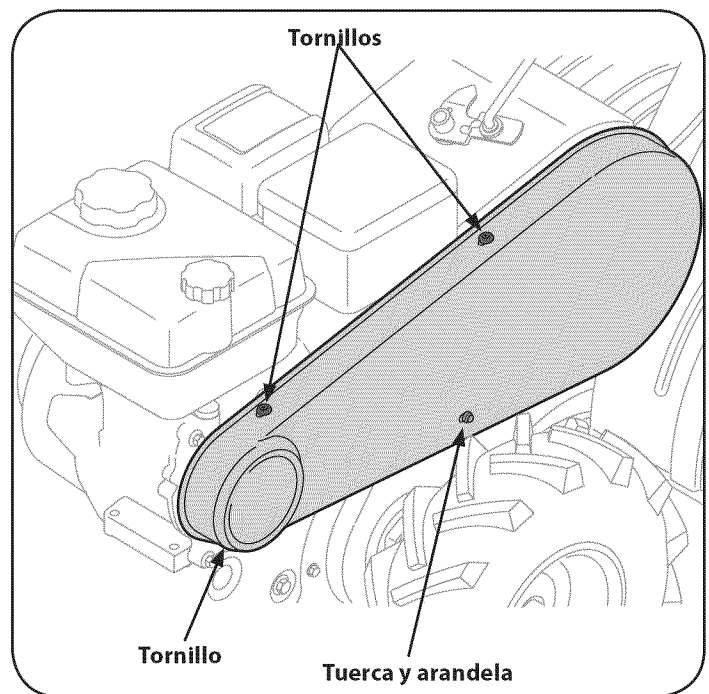


Figura 22

Para reemplazar la correa de transmisión, siga estos pasos:

1. Saque la cubierta de la correa desde el lado izquierdo de la cultivadora extrayendo los dos tornillos de la parte superior de la cubierta. Vea la Figura 22.
2. Retire con cuidado la tuerca hexagonal y la arandela plana del lado frontal de la cubierta de la correa. Extraiga el tornillo de cabeza hexagonal en la parte posterior de la cubierta. Vea la Figura 22.

SERVICIO Y MANTENIMIENTO

3. Retire el conjunto del guardacorreas de la correa ubicado detrás de la polea del motor extrayendo los dos pernos hexagonales y las arandelas de seguridad. Vea la Figura 23.
4. Extraiga la polea loca retirando el perno y la tuerca. Vea la Figura 23.
5. Extraiga la correa usada e instale una nueva. Siga las instrucciones en orden inversa para reinstalar el guardacorreas y la cubierta de la correa. Vea la Figura 23.

NOTA: Al volver a armar, cerciórese de que la correa pase sobre la polea loca y por dentro de los guardacorreas junto a la polea del motor.

DIENTES

Los dientes se desgastan con el uso y se los debe inspeccionar al comienzo de cada temporada de labranza y a intervalos de 30 horas de funcionamiento. Los dientes se pueden reemplazar. Consulte el número de pieza en la sección Lista de piezas de este manual.

Inspección de los dientes

Con el uso, los dientes se acortan, se angostan y vuelven puntiagudos. El uso de dientes muy desgastados resultará en pérdida de profundidad de la labranza y en menor eficacia para cortar y girar debajo de la materia orgánica.

Retiro/Instalación de un conjunto de dientes

1. Retire las cubiertas de los extremos y los protectores laterales del protector de los dientes sacando las tres tuercas mariposa que lo sujetan a cada lado.
2. Un conjunto de dientes consta de un conjunto de dientes izquierdo y un conjunto de dientes derecho.

NOTA: El conjunto de dientes se mueve rotando en sentido contrario con los bordes afilados de los dientes ubicados para introducirse en el suelo primero cuando rotan en sentido contrario. Observe esta posición de los dientes para poder reinstalar los conjuntos de dientes nuevos.

1. Para retirar un conjunto de dientes, simplemente saque la chaveta de retén interna que sujeta la chaveta de horquilla. Vea la Figura 24.
2. Retire la chaveta de horquilla y deslice el conjunto hacia afuera de la unidad y lejos del eje de los dientes.
3. Antes de volver a instalar el conjunto de dientes, inspeccione el eje de los dientes para verificar si hay óxido, asperezas o rebabas. Lime o lije ligeramente, según sea necesario. Aplique al eje una capa delgada de grasa.
4. Instale cada conjunto de dientes de modo que el borde cortante (filoso) de los dientes penetre el suelo primero cuando la cultivadora se mueva hacia adelante. Recuerde que estos dientes rotan en sentido contrario, así que asegure el conjunto de dientes al eje de los dientes con el pasador de horquilla y el pasador de chaveta interno.

AJUSTES

Mando

Se puede ajustar la manija a la altura deseada. Consulte la sección de Funcionamiento para obtener detalles.

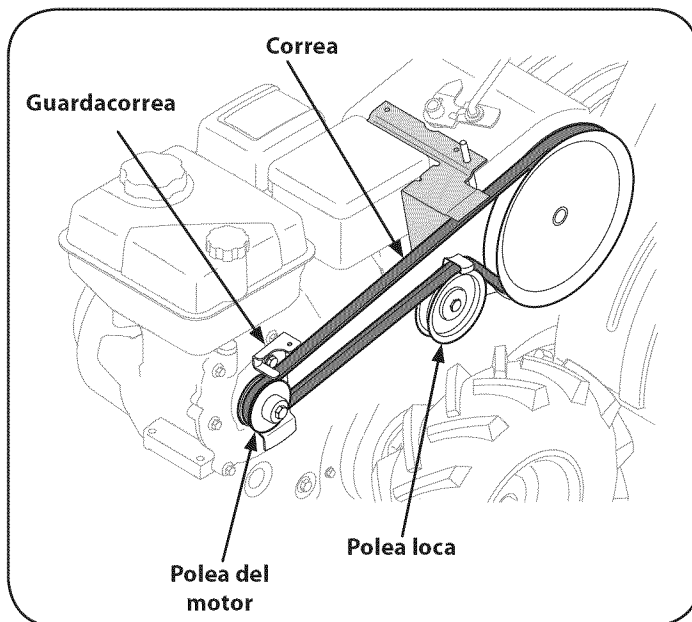


Figura 23

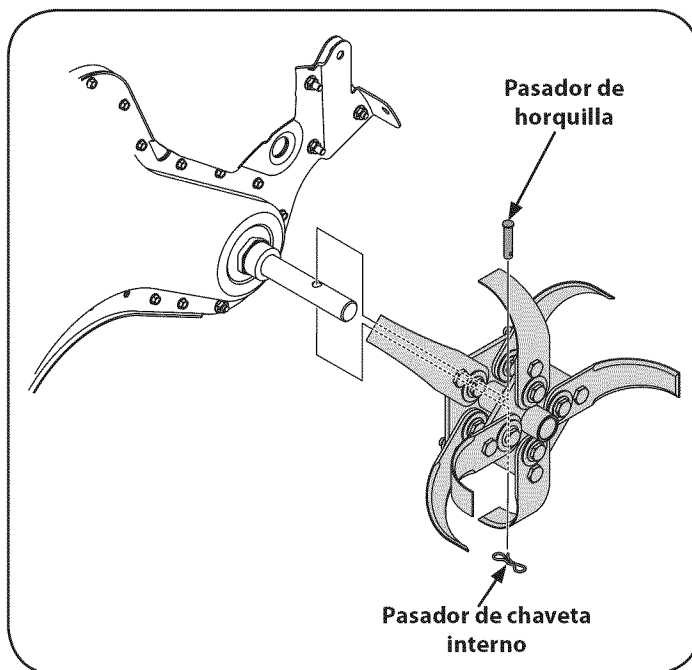


Figura 24

Cable del embrague

Consulte la sección Montaje para ver las instrucciones del ajuste del cable del embrague.

Varilla de la polea loca

Consulte la sección Montaje para ver las instrucciones del ajuste de la varilla de la polea loca.

ALMACENAMIENTO FUERA DE TEMPORADA

ADVERTENCIA

Nunca almacene la cultivadora con combustible en el tanque en un espacio cerrado o en áreas poco ventiladas donde los gases del combustible puedan llegar a una llama expuesta, una chispa o un piloto como el que tienen algunos hornos, calentadores de agua, secadores de ropa o algún artefacto a gas.

ADVERTENCIA

Nunca deje el motor sin vigilancia mientras está en funcionamiento.

PREPARACIÓN DEL MOTOR

Para almacenar motores entre 30 y 90 días es necesario tratarlos con un estabilizador de gasolina y para almacenarlos durante más de 90 días se debe drenar el combustible para evitar deterioros y la formación de depósitos de goma en el sistema de combustible o en piezas fundamentales del carburador. Si la gasolina en su motor se deteriora durante el almacenamiento, es posible que deba reparar o reemplazar el carburador y otros componentes del sistema de combustible.

1. Extraiga todo el combustible del depósito haciendo funcionar el motor hasta que se detenga por falta de combustible.
2. Cambie el aceite. Consulte el Cambio de aceite en la sección SERVICIO Y MANTENIMIENTO.
3. Retire la bujía y vierta cerca de 1/2 onza de aceite para motor en el cilindro. Vuelva a colocar la bujía y dé marcha al motor lentamente para distribuir el aceite.
4. Limpie la suciedad de las áreas del motor y del silenciador. Retoque la pintura dañada, y revista otras áreas que puedan oxidarse con una película delgada de aceite.
5. Almacene en un sector limpio, seco y bien ventilado, lejos de cualquier artefacto que funcione con una llama o luz piloto como un horno, calentador de agua o secador de ropa. También evite cualquier sector con una chispa produciendo motor eléctrico o donde se utilizan herramientas eléctricas.
6. De ser posible, también evita áreas de almacenamiento con mucha humedad para evitar oxidación y corrosión.
7. Mantenga el motor nivelado cuando lo almacene. La inclinación del motor puede resultar en fugas de combustible o aceite.

PREPARACIÓN DE LA CULTIVADORA

Si la cultivadora no se va a usar durante un período prolongado, prepárela para el almacenamiento de la siguiente forma:

1. Limpie la cultivadora y el motor.
2. Siga las recomendaciones sobre lubricación y verifique si hay partes o piezas sueltas.
3. Almacene la cultivadora en un área limpia y seca.
4. Nunca almacene la cultivadora con combustible en el tanque en un área cerrada donde las emanaciones de la gasolina pueden alcanzar una llama expuesta o chispas, o donde hubiere fuentes de encendido (calefactores, calentadores de agua, hornos, etc.).

SOLUCIÓN DE PROBLEMAS

⚠ ADVERTENCIA

Antes de realizar cualquier tipo de mantenimiento o servicio, desenganche todos los controles y detenga el motor. Espere a que se detengan completamente todas las piezas móviles. Desconecte el cable de la bujía y póngalo haciendo masa contra el motor para evitar que se encienda accidentalmente. Utilice siempre anteojos de seguridad durante la operación o mientras realiza ajustes o reparaciones.

Problema	Causa	Solución
El motor no arranca	<ol style="list-style-type: none"> Se ha desconectado el cable de la bujía. Ajuste incorrecto de la palanca de control del regulador del motor. El depósito de combustible está vacío o el combustible se ha echado a perder. Filtro de aire sucio. Separación defectuosa o incorrecta en la bujía. Ajuste incorrecto del control del regulador. Agua o suciedad en el tanque del combustible. 	<ol style="list-style-type: none"> Reconecte el cable. Coloque la palanca en la posición START (arranque). Llene el tanque con gasolina limpia y nueva. Limpie o cambie el filtro. Limpiela, ajuste la distancia disruptiva o cámbiela. Contacte con su centro de piezas y reparaciones Sears. Contacte con su centro de piezas y reparaciones Sears.
El motor funciona de manera errática	<ol style="list-style-type: none"> Separación defectuosa o incorrecta en la bujía. Filtro(s) de aire sucio(s). Es necesario regular el carburador. Gasolina vieja. Agua o suciedad en el tanque del combustible. Sistema de enfriamiento del motor tapado. 	<ol style="list-style-type: none"> Limpie, ajuste la separación, o cambie la bujía. Limpie o reemplace Contacte con su centro de piezas y reparaciones Sears. Cámbiela por gasolina fresca. Contacte con su centro de piezas y reparaciones Sears. Limpie el sistema de enfriamiento del motor
El motor recalienta	<ol style="list-style-type: none"> Sistema de enfriamiento del motor tapado. Es necesario regular el carburador. Nivel de aceite bajo. 	<ol style="list-style-type: none"> Limpie el área de enfriamiento del motor Contacte con su centro de piezas y reparaciones Sears. Revise el nivel de aceite.
El motor no se apaga.	<ol style="list-style-type: none"> Ajuste incorrecto del control del regulador o del interruptor de encendido. 	<ol style="list-style-type: none"> Contacte con su centro de piezas y reparaciones Sears.
Las ruedas y los dientes no giran	<ol style="list-style-type: none"> Uso incorrecto de los controles. Correa(s) de transmisión desgastada(s), rota(s) o mal ajustada(s). Trasmisión interna desgastada o dañada. Perno suelto en la polea de transmisión. 	<ol style="list-style-type: none"> Revise la sección de Funcionamiento Reemplace o ajuste las correas. Contacte con su centro de piezas y reparaciones Sears. Ajuste el perno.
Los dientes giran, las ruedas no.	<ol style="list-style-type: none"> Perno suelto en la polea de transmisión. Trasmisión interna desgastada o dañada. 	<ol style="list-style-type: none"> Ajuste el perno. Contacte con su centro de piezas y reparaciones Sears.
Las ruedas giran, los dientes no.	<ol style="list-style-type: none"> Falta pieza metálica para montar el soporte de dientes. Perno suelto en la polea de transmisión. Trasmisión interna desgastada o dañada. 	<ol style="list-style-type: none"> Reemplace la pieza metálica. Ajuste el perno. Contacte con su centro de piezas y reparaciones Sears.
Rendimiento deficiente de la labranza	<ol style="list-style-type: none"> Dientes desgastados. Configuración incorrecta del regulador de profundidad. Configuración incorrecta del regulador. Deslizamiento de la correa de transmisión de marcha directa. 	<ol style="list-style-type: none"> Reemplace los dientes. Vea "Sugerencias y técnicas para la labranza". Consulte la sección Servicio y Mantenimiento Consulte la sección Servicio y Mantenimiento

¿NECESITA MÁS AYUDA?

Encontrará la respuesta y más en managemyhome.com - ¡sin cargo!

- Éste y los manuales de todos sus otros productos los encontrará en línea.
- Sus preguntas serán respondidas por nuestro equipo de especialistas.
- Obtenga un plan de mantenimiento personalizado para su hogar.
- Encuentre información y herramientas que lo ayudarán con los proyectos domésticos.

manage my home

brought to you by Sears

(Esta página se aplica sólo en EE.UU. y Canadá).

**Sears, Roebuck and Co., U.S.A. (Sears), el Consejo de Recursos Ambientales de California (CARB)
y la Agencia de Protección Ambiental de los Estados Unidos (EPA)**

Declaración de garantía del sistema de control de emisiones (derechos y obligaciones de la garantía de defectos del propietario)

LA COBERTURA DE LA GARANTÍA DE CONTROL DE EMISIONES ES APLICABLE A LOS MOTORES CERTIFICADOS COMPRADOS EN CALIFORNIA EN 1995 Y POSTERIORMENTE, QUE SE UTILIZAN EN CALIFORNIA,

Declaración de garantía sobre defectos en el control de emisiones para California y los Estados Unidos

El Consejo de Recursos Ambientales de California (CARB), la EPA (Agencia de Protección Ambiental de los EE.UU.) y Sears tienen el gusto de explicar la garantía del sistema de control de emisiones para motores del año 2000 y para el futuro con relación a motores pequeños todo terreno (SORE). En California, los nuevos motores pequeños todo terreno deben estar diseñados, construidos y equipados para cumplir con las rigurosas normas anti-smog del estado. En el resto de los Estados Unidos, los motores nuevos todo terreno de encendido por chispa certificados para el año 1997 deben cumplir estándares similares establecidos por la EPA. Sears debe garantizar el sistema de control de emis-

Y PARA LOS MODELOS CERTIFICADOS DEL AÑO 1997 Y POSTERIORES, QUE SE COMPREN Y UTILICEN EN CUALQUIER PARTE DE LOS ESTADOS UNIDOS (Y A PARTIR DEL 1 DE ENERO DE 2001 EN CANADÁ).

iones de su motor para los períodos de tiempo enumerados a continuación, siempre que no haya abuso, negligencia o mantenimiento indebido de su motor todo terreno pequeño. Su sistema de control de emisiones puede incluir piezas tales como el carburador, el filtro de aire, el sistema de encendido, el silenciador y el convertidor catalítico. También puede incluir conectores y otras unidades relacionadas con las emisiones. Donde exista una condición cubierta por la garantía, Sears reparará su pequeño motor todo terreno sin costo alguno incluyendo diagnóstico, piezas y mano de obra

Cobertura de la garantía Sears para defectos en el control de emisiones

Los motores todo terreno pequeños están garantizados en lo relativo al control de emisiones para defectos en piezas durante un período de dos años, sujeto

Responsabilidades del propietario en relación con la garantía

Como propietario del motor todo terreno pequeño, Ud. es responsable de la realización del mantenimiento requerido que se incluye en las instrucciones de operación y mantenimiento. Sears recomienda que se conserven todos los recibos relativos al mantenimiento de su motor todo terreno pequeño, pero no puede denegar la garantía simplemente por la falta de los mismos, o por su incumplimiento del mantenimiento programado. Como propietario del motor todo terreno pequeño debe saber que, sin embargo, Sears le puede negar la cobertura de la garantía si su motor todo terreno pequeño o una pieza del mismo han fallado debido a abuso, negligencia, mantenimiento indebido o

Disposiciones de la garantía Sears para defectos en el control de emisiones

Las siguientes son disposiciones específicas relacionadas con la cobertura de la garantía para defectos en el control de emisiones. Es un añadido a la garantía de motor Sears para motores no regulados que se encuentra en las instrucciones de funcionamiento y mantenimiento.

1. Piezas con garantía

La cobertura de esta garantía se extiende únicamente a las piezas que aparecen a continuación (las partes de los sistemas de control de emisiones), siempre que dichas piezas estuvieran ya en el motor en el momento de su compra.

- a. Sistema de medición de combustible
 - Sistema de enriquecimiento para arranque en frío
 - Carburador y partes internas
 - Bomba de combustible
- b. Sistema de inducción de aire
 - Filtro de aire
 - Colector de admisión
- c. Sistema de encendido
 - Bujía(s) de encendido
 - Sistema de encendido magneto
- d. Sistema del catalizador
 - Convertidor catalítico
 - Colector de escape
 - Sistema de inyección de aire o válvula de impulsos
- e. Elementos variados usados en los sistemas anteriores
 - Válvulas de vacío, sensibles a temperatura, posición y tiempo e interruptores
 - Conectores y montajes

2. Alcance de la cobertura

Sears garantiza al poseedor inicial y a los compradores subsiguientes que las piezas con garantía no tendrán defectos en materiales ni mano de obra que provoquen la falla de las mismas durante un período de dos años a partir de la fecha en que el motor se entrega a un comprador particular.

3. Sin cargo

La reparación o reemplazo de cualquier parte con garantía se realizará

a las disposiciones que se indiquen a continuación. Si una parte de su motor cubierta por la garantía es defectuosa, Sears reparará o sustituirá dicha parte.

a modificaciones no aprobadas. Ud. es responsable de presentar su motor todo terreno pequeño a un distribuidor de servicios Sears autorizado tan pronto como aparezca un problema. Las reparaciones de la garantía sin conflicto deben completarse en un plazo de tiempo razonable, no superior a 30 días. Si tiene alguna pregunta respecto a sus derechos y responsabilidades referentes a la garantía, debe contactar con un representante de servicios Sears al 1-800-469-4663. La garantía de emisiones es una garantía por defectos. Los defectos se juzgan de acuerdo con el funcionamiento normal de un motor. La garantía no está relacionada con una prueba de emisiones en uso.

sin cargo alguno para el poseedor, incluyendo tareas de diagnóstico que permitan determinar si una parte con garantía es defectuosa, siempre que dicho diagnóstico se realice en un distribuidor de servicios Sears autorizado. Para el servicio de la garantía de emisiones, contacte al distribuidor de servicios Sears autorizado más cercano incluido en las "Páginas amarillas" en las categorías "Motores, gasolina", "Motores de gasolina", "Podadoras de césped", o similares.

4. Reclamaciones y exclusiones a la cobertura

Las reclamaciones de la garantía deben enviarse de acuerdo con las disposiciones de la política de garantía para motores Sears. La cobertura de la garantía excluirá defectos en piezas con garantía que no sean partes originales Sears, o abuso, negligencia o mantenimiento incorrecto, tal y como se establece en la política de garantía para motores Sears. Sears no es responsable de las fallas en piezas con garantía provocadas por el uso de partes añadidas, que no sean originales o que se hayan modificado.

5. Mantenimiento

Cualquier parte con garantía que no esté programada para ser reemplazada como mantenimiento requerido, o que sólo deba inspeccionarse regularmente al efecto de "inspeccione o reemplace según sea necesario", estará garantizada contra defectos durante el período de la garantía. Todas las piezas garantizadas que estén programadas para su reemplazo para cumplir con los requisitos de mantenimiento estarán garantizadas sólo por el período anterior al primer reemplazo programado para dicha pieza. Cualquier pieza de recambio que sea equivalente en funcionamiento y durabilidad puede usarse para realizar mantenimiento o reparaciones. El propietario es responsable de realizar todo el mantenimiento requerido, tal y como se define en las instrucciones de funcionamiento y mantenimiento Sears

6. Cobertura indirecta

Por la presente, la cobertura se extiende a la falla de cualquier componente de motor provocada por la falla de una pieza con garantía que esté todavía en período de garantía.

En los Estados Unidos y Canadá hay una línea de atención de 24 horas, **1-800-469-4663**, que cuenta con un menú con mensajes pre-grabados que contienen información para el mantenimiento de motores.

Busque el período de duración de emisiones importantes y la información de clasificación de aire en la etiqueta de emisiones de su motor

Los motores cuyo cumplimiento con los estándares de emisión Tier 2 de la Comisión de Recursos Ambientales de California (CARB) esté certificado deben exhibir la información relacionada con el período de duración de las emisiones y la clasificación de aire. Sears, Roebuck and Co., de los Estados Unidos ponen esta información a disposición del consumidor en nuestras etiquetas de emisiones.

El Período de Duración de las Emisiones describe el número de horas de tiempo real de funcionamiento para el cual se certifica que el motor cumple con las reglas de emisión, descontando el mantenimiento adecuado del mismo según las instrucciones de operación y mantenimiento. Se utilizan las siguientes categorías:

Moderado: Se certifica que el motor cumple con las reglas de emisión durante 125 horas de tiempo real de funcionamiento del motor.

Inmediato: Se certifica que el motor cumple con las reglas de emisión durante 250 horas de tiempo real de funcionamiento del motor.

Extendido: Se certifica que el motor cumple con las reglas de emisión durante 500 horas de tiempo real de funcionamiento del motor.

Por ejemplo, una cortadora de césped típica que se empuja desde atrás se usa entre 20 y 25 horas por año. Por lo tanto, el **Período de Duración de Emisiones** de un motor con una **clasificación intermedia** sería equivalente a entre 10 y 12 años.

La **clasificación de aire** es un número calculado para describir el nivel relativo de emisiones para un grupo de motores en particular. Cuanto menor sea la **clasificación de aire**, mayor es la limpieza del motor. La información se presenta de forma gráfica en la etiqueta de emisiones.

Después del 1 de julio de 2000, busque el período de cumplimiento de las reglas de emisiones en la etiqueta de cumplimiento de las reglas de emisiones del motor

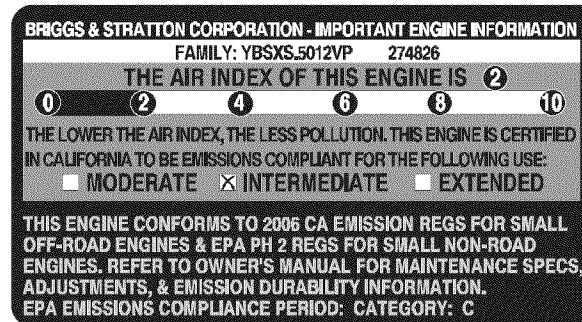
Después del 1 de julio de 2000 se certificará que determinados motores Sears, Roebuck and Co., de los Estados Unidos cumplen con los estándares de emisiones de la fase 2 de la Agencia de Protección Ambiental de los Estados Unidos (USEPA). Para los motores certificados para la etapa 2, el período de cumplimiento con las reglas de emisiones al cual se hace referencia en la etiqueta de cumplimiento con las reglas de emisiones indica el número de horas de funcionamiento para el cual se ha demostrado que el motor cumple con los requerimientos federales de emisión.

Para los motores con desplazamiento inferior a 225 cc, Categoría C = 125 horas, B = 250 horas y A = 500 horas.

Para los motores con desplazamiento de 225 cc o más, Categoría C = 250 horas, B = 500 horas y A = 1000 horas.

El desplazamiento de los motores de la serie modelo 150112 es 249 cc.

La presente es una representación genérica de la etiqueta de emisión que se encuentra generalmente en un motor certificado.



ACUERDO DE PROTECCIÓN PARA REPARACIONES

Felicitaciones por haber realizado una adquisición inteligente. El producto Craftsman® que ha adquirido está diseñado y fabricado para brindar muchos años de funcionamiento confiable. Pero como todos los productos a veces puede requerir de reparaciones. Es en ese momento cuando el disponer de un Acuerdo de protección para reparaciones le puede ahorrar dinero y problemas.

A continuación se detallan los puntos incluidos en el Acuerdo:

- **Servicio experto** prestado por nuestros 10,000 especialistas en reparaciones profesionales
- **Servicio ilimitado sin cargo** para las piezas y la mano de obra en todas las reparaciones cubiertas
- **Reemplazo del producto** hasta 1500 dólares si no es posible reparar el producto cubierto
- **Descuento de 10%** del precio normal del servicio y de las piezas relacionadas con el mismo que no estén cubiertas por el acuerdo; además, 10% del precio normal de la verificación de mantenimiento preventivo
- **Ayuda rápida por teléfono** - lo llamamos Resolución Rápida – el apoyo telefónico de un Chamusca al representante. Piense en nosotros como el manual “de un dueño hablador.”

Una vez adquirido el Acuerdo, puede programar el servicio con tan sólo realizar una llamada telefónica. Puede llamar en cualquier momento del día o de la noche o programar un servicio en línea. El Acuerdo de Protección de Reparación es una compra sin riesgo. Si usted anula por alguna razón durante el período de garantía de producto, proporcionaremos un reembolso lleno. O, un reembolso prorrateado en cualquier momento después del período de garantía de producto expira. ¡Adquiera hoy su acuerdo de protección para reparaciones!

Se aplican determinadas limitaciones y exclusiones. Para obtener información adicional y precios en los Estados Unidos llame al 1-800-827-6655.

El *Coverage en Canadá varía en algunos artículos. Para detalles llenos la llamada Chamusca Canadá en 1-800-361-6665.

Servicio de instalación de Sears

Si desea solicitar la instalación profesional de Sears de aparatos domésticos, dispositivos para abrir portones, calentadores de agua y otros artículos domésticos importantes, en los Estados Unidos o Canadá llame al **1-800-4-MY-HOME®**.

NOTAS

NOTAS

NOTAS

Get it fixed, at your home or ours!

Your Home

For troubleshooting, product manuals and home solutions advice:

manage my home

www.managemyhome.com

For repair – **in your home** – of **all** major brand appliances, lawn and garden equipment, or heating and cooling systems, **no matter who made it, no matter who sold it!**

For the replacement parts, accessories and owner's manuals that you need to do-it-yourself.

For Sears professional installation of home appliances and items like garage door openers and water heaters.

1-800-4-MY-HOME[®] (1-800-469-4663)

Call anytime, day or night (U.S.A. and Canada)

www.sears.com www.sears.ca

Our Home

For repair of carry-in items like vacuums, lawn equipment, and electronics, call anytime for the location of your nearest

Sears Parts & Repair Service Center

1-800-488-1222 (U.S.A.) **1-800-469-4663** (Canada)

www.sears.com www.sears.ca

To purchase a protection agreement on a product serviced by Sears:

1-800-827-6655 (U.S.A.) **1-800-361-6665** (Canada)

Para pedir servicio de reparación a domicilio, y para ordenar piezas:

1-888-SU-HOGAR[®]

(1-888-784-6427)

www.sears.com

Au Canada pour service en français:

1-800-LE-FOYER^{MC}

(1-800-533-6937)

www.sears.ca

Sears

® Registered Trademark / TM Trademark of KCD IP, LLC in the United States, or Sears Brands, LLC in other countries

® Marca Registrada / TM Marca de Fábrica de KCD IP, LLC en Estados Unidos, o Sears Brands, LLC in otros países

^{MC} Marque de commerce / ^{MD} Marque déposée de Sears Brands, LLC