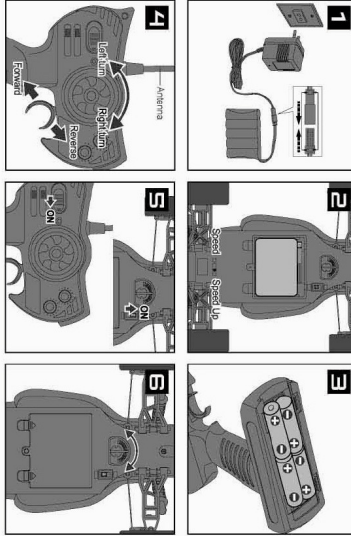


User manual

Instruction

1. Open the package, take out all the charger and chargeable batteries inside the box. Charge the batteries first as per the correct method. Charging time is around 4 hours.
2. Open the battery cover on the bottom of the car body. (All loading the fully charged batteries as per the correct polarity shown and then cover the battery cover)
3. Open the battery cover of the transmitter. Load 4 PCS 1.5V batteries as per the correct polarity shown and then cover the battery cover.
4. Operating instruction of the scale transmitter is as per the picture shown.
5. Turn the transmitter on by pressing the ON button and the power switch of the transmitter to "ON" position. This time the indicator light will be lit and the transmitter will be powered on. (Please do not touch the transmitter while it is powered on. Just simply push the control lever and you can start playing.)
6. Adjust the trim switch on the bottom of the car body and you can trim the car until it is running in a straight.



WARNING:
Non-observance to the instructions can result in personal injuries and property damage.

WARNING:
CHOKING HAZARD - small parts.
Not for children under 3 years.



ITEM NO. 6001-A



ITEM NO. 6001-B

- Please read and understand all instructions in the manual before running or assembling your model. We highly recommend a novice user to get help with running and/or assembling from experienced model operators.
 - Before reforming your radio system disconnect the battery pack first.
 - As the product contains many small and sharp parts, you should take care of yourself and your children while assembling or disassembling your car.
 - Do not operate the model on public roads or near crowded people. Otherwise, it may cause damage to your model and/or personal injuries.
 - Always turn off the radio system when the model is not in use. In order to prevent battery leakage, you are also required to disconnect or remove the batteries from your model and remote control.
 - Do not share the same frequency with somebody else at the same time as it will cause signal confusion and you may lose control of your model.
 - For better radio performance fully extend the antenna of the remote control.
 - Never charge the battery unattended.
- This device complies with Part 15 of the FCC Rules. Operation Changes or modifications not expressly approved by the party is subject to the following two conditions: (1) this device may responsible for compliance could void the user's authority to any interference received, including interference that may cause undesired operation.



Made In China
ITEM NO. 6001