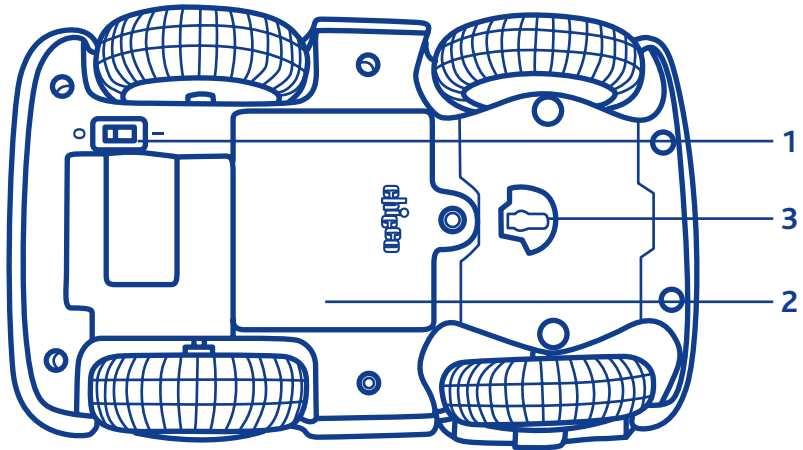


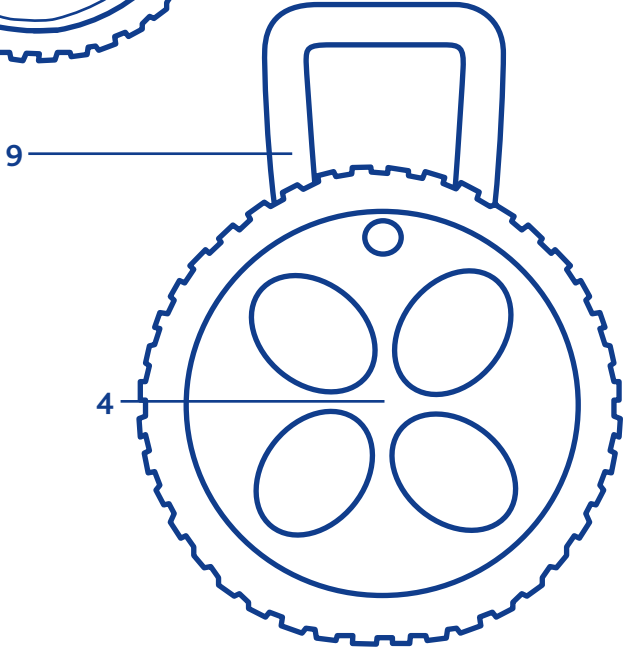
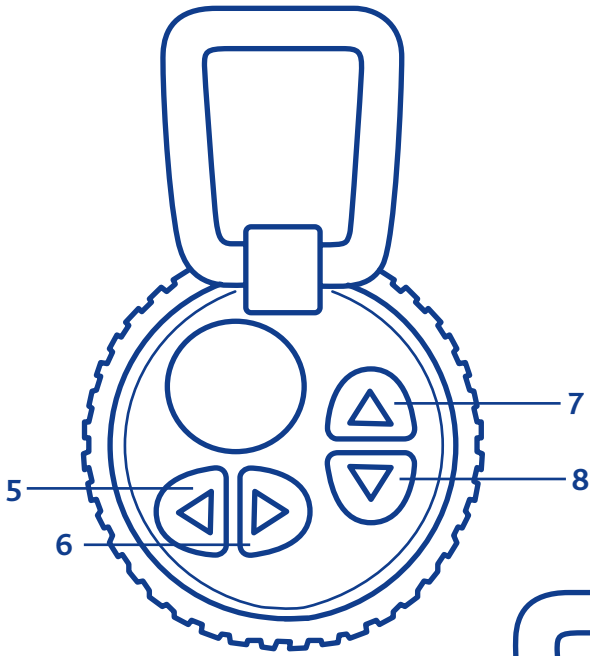


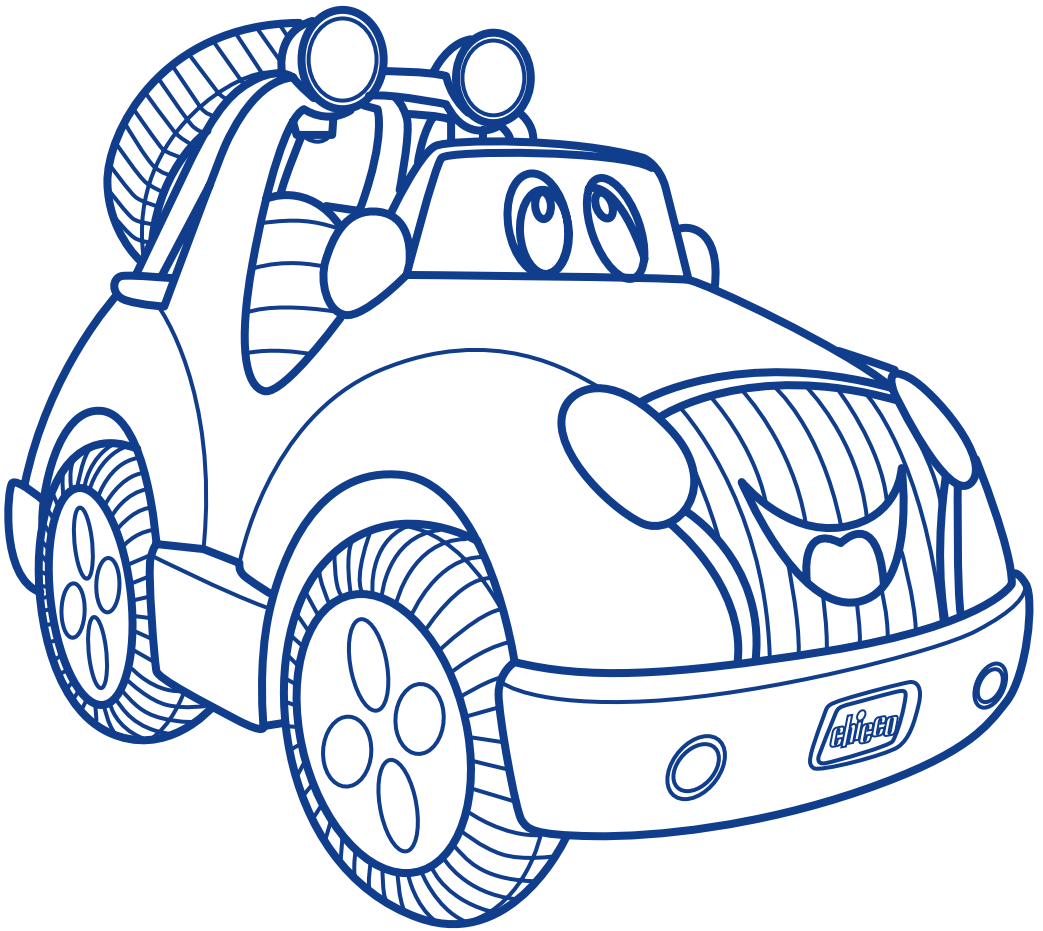
Safari Tracker

A



B







Age: From 2 years +

Please read these instructions carefully and keep for future reference.

- The toy is powered by 4 x 1.5 Volt "AA" type alkaline batteries and the remote control unit requires 3 x 1.5 Volt "AAA" type alkaline batteries (Batteries are not included).

For your child's safety:

WARNINGS

For your child's safety: ATTENTION!

Plastic bags and other components which are not part of the toy (e.g. ties, fasteners, etc.) must be removed before use and kept out of the reach of children. Choking hazard.

WARNINGS

- It is recommended that you check the toy for signs of damage before use. Should any part be damaged, do not use and keep out of reach of children.
- **Warning!**
 - Do not touch the toy's wheels while they are moving.
 - Do not use the toy on the road.
 - Do not use the toy on wet, sandy or dusty surfaces.
 - Do not leave the toy or the remote control unit next to heat sources.
- The functioning of the toy can be affected by interference to the remote control caused by the following: the simultaneous use of two "Safari Tracker" vehicles or any other products with the same frequency, high tension cables, high voltage transformers, certain types of buildings or walls, electromagnetic pollution, the presence of radio signals emitted by other equipment.
The remote control unit has an effective range of approximately 7 metres (this could be further reduced due to environmental conditions).

Safari Tracker

Fig. A

- 1) ON/OFF switch (I / O)
- 2) Battery compartment cover
- 3) Direction selector (wheel alignment)

Remote control unit:

Fig. B

- 4) Battery compartment cover
- 5) Forward left button
- 6) Forward right button
- 7) Forward straight button
- 8) Reverse straight button
- 9) Aerial – handle

TOY DESCRIPTION

"Safari Tracker" is a radio remote controlled electric toy car that moves in 4 directions (forward straight, backward straight, forward left and forward right).

Thanks to its simple controls, the toy is suitable for children from 2 years of age. At this age, a child can begin to use the remote control unit, by simply pressing the buttons and observing in which direction, the car moves. This exercise is very important, since it allows the child to extend its field of vision and hone its hand-eye co-ordination.

By the age of three, the child learns to associate the direction of movement, selected on the remote control unit, with the effect achieved by the car's movement. At first, the child will drive the car until it meets with an obstacle; later on the child will learn how to operate the remote control unit more precisely, in order to drive the car along a route of its choice.

HOW TO USE THE TOY

- Switch on the car, by moving the ON/OFF switch, located underneath the car, (fig. A-1) to position I.
- To operate the toy, press the buttons on the remote control unit. The remote control unit features four buttons, corresponding to the directions forward left (fig. B-5), forward right (fig. B-6), forward straight (fig. B-7), backward straight (fig. B-8).
- When you wish to stop playing, it is recommended that you always switch off the toy, by moving the ON/OFF switch (fig. A-1) to position O.

Direction selector control

If, when pressing the forward straight button (fig. B-7), the car does not move in a straight direction, it is possible to adjust the direction by moving the direction selector, located underneath the car, a notch at a time (fig. A-3)

FITTING AND/OR REPLACING BATTERIES

- Batteries must only be replaced by an adult.
- To replace the batteries: loosen the screw on the battery compartment cover (Diag. A-2 for the car and Diag. B-4 for the remote control) with a screwdriver and open the cover. Then remove the spent batteries and fit new ones, ensuring that they have been fitted with correct polarity (as shown on the product), close the battery cover, and tighten the screw.
- Only use alkaline batteries of the same type or equivalent to the type recommended for the correct function of this product.
- Never mix new and old or different types of batteries.
- Do not mix alkaline, standard (carbon-zinc) or rechargeable (nickel-cadmium) batteries.
- Always keep batteries and tools out of the reach of children.
- Do not short-circuit the battery terminals.
- Always remove spent batteries from the product to avoid the danger of leakage from the battery damaging the product.
- Always remove the batteries if the product will not be used for a long period of time
- Remove the batteries from the car and remote control before disposing of the product.

- Do not burn or dispose of old batteries into the environment. Dispose of them at an appropriate differentiated collection point.
- Do not attempt to recharge non-rechargeable batteries: they might explode.
- If the batteries happen to leak liquid, replace them immediately, making sure you clean the compartment beforehand; wash your hands thoroughly if you come into contact with any such liquid.
- Do not use rechargeable batteries.
- This product is not designed for use with lithium batteries. WARNING Improper use could be hazardous

DECLARATION OF EC COMPLIANCE.

Mod. 3-T & 3-R / Mod. 68451.400

Artsana S.p.A hereby declares that this product complies with all the essential requirements and other provisions indicated in EU Directive 1999/5/EC (electromagnetic compatibility).

In accordance with the European Commission Decision N°2000/299/EC dated 06/04/2000, the frequency band used by this product has been harmonised for all EU Countries and therefore this is a Class 1 product which can be used in all European Community Countries.

"A copy of the Declaration of Conformity with the essential requirements of European Directive 1999/5/CE is available in the Product section of the website www.chicco.com"



This product complies with EU Directive 2002/96/EC.

The crossed bin symbol on the appliance indicates that the product, at the end of its life, must be disposed of separately from domestic waste, either by taking it to a separate waste disposal site for electric and electronic appliances or by returning it to your dealer when you buy another similar appliance. The user is responsible for taking the appliance to a special waste disposal site at the end of its life. If the disused appliance is collected correctly as separate waste, it can be recycled, treated and disposed of ecologically; this avoids a negative impact on both the environment and health, and contributes towards the recycling of the product's materials. For further information regarding the waste disposal services available, contact your local waste disposal agency or the shop where you bought the appliance.

Approved to RoHS n° 2002/95/EC Regulation.

CARE & MAINTENANCE

- Clean the toy with a soft cloth, soaked in a little water, if necessary.
- Protect the toy from shocks, heat, dust, sand, humidity and water.

ARTSANA reserves the right to modify in any given moment and without advance notice the contents of this instruction booklet.

The reproduction, transmission, transcription as well as the translation into another language of all or part of this booklet, in any form, are absolutely prohibited, unless previously authorised in writing by ARTSANA.

Made in China.



COD. 00.068451.300.070 SAFARI TRACKER GREEN



COD. 00.068451.400.070 SAFARI TRACKER PINK



©2012 Artsana USA, Inc. 1826 William Penn Way Lancaster, PA 17601

www.chiccousa.com