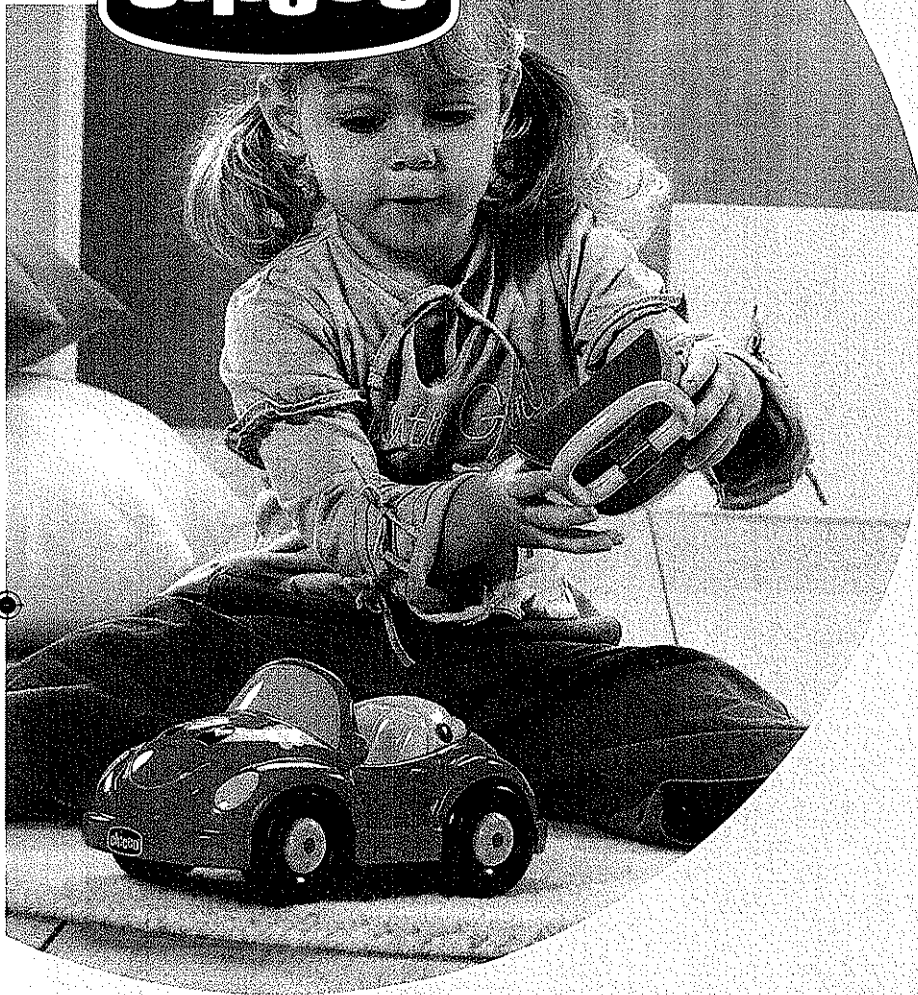


chicco

2

anni +
years +

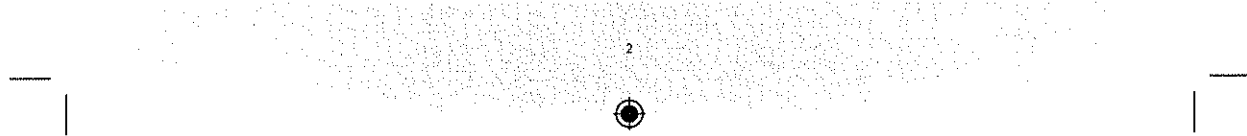
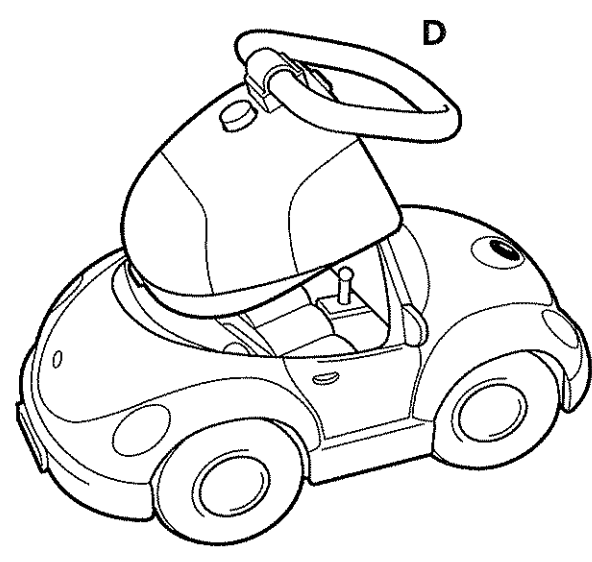
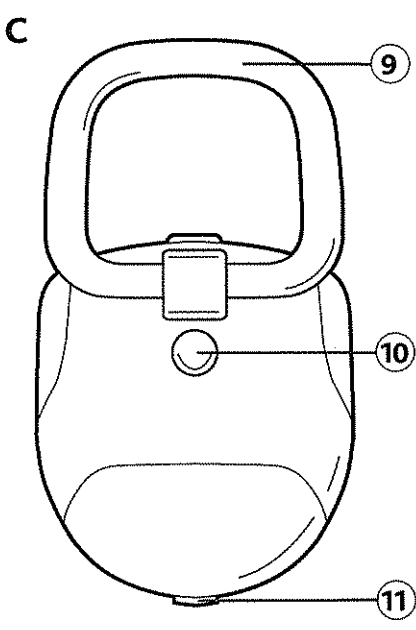
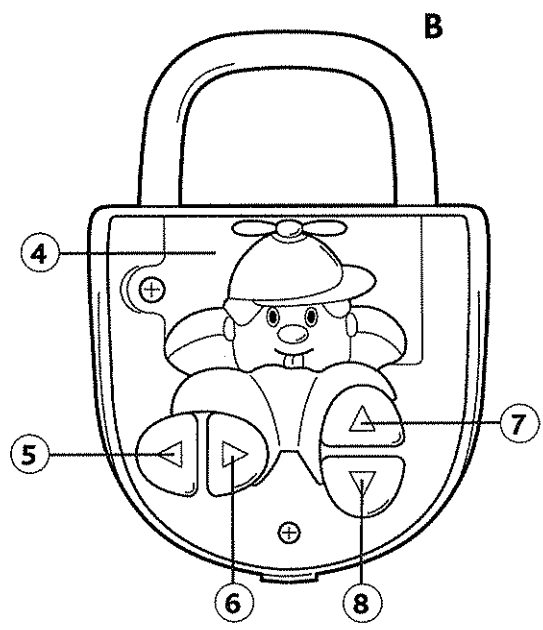
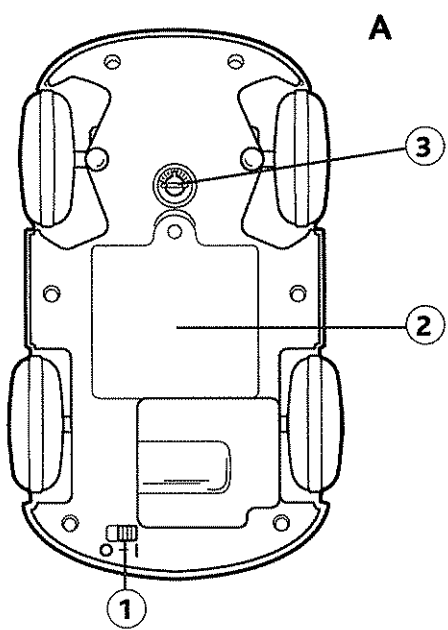


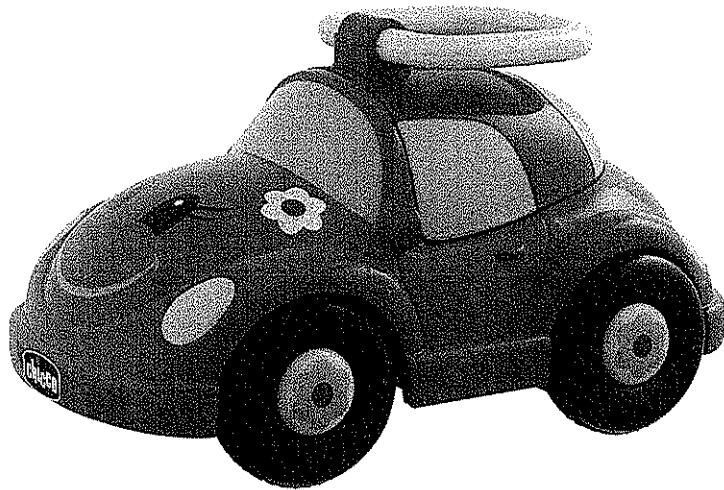
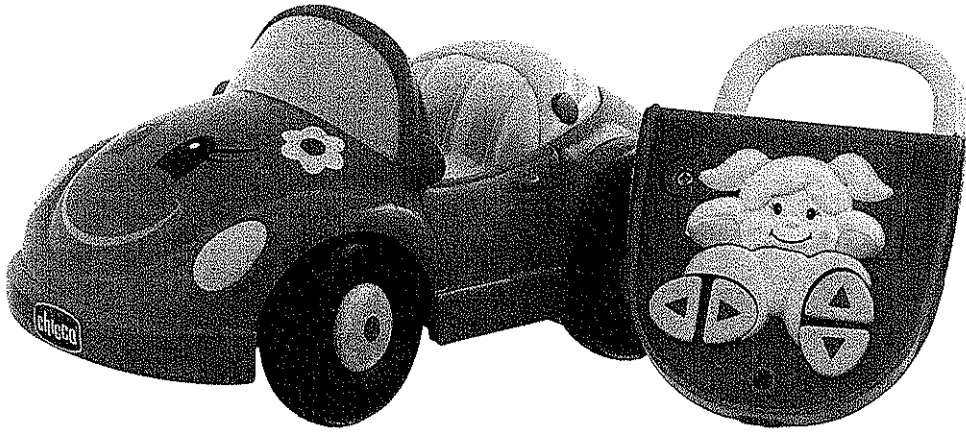
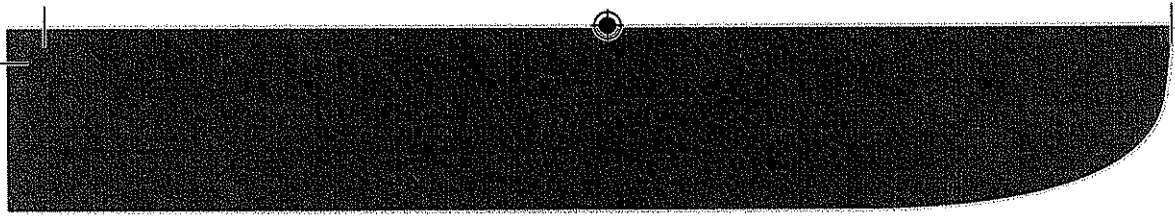
Carolina Cabriolina

Caroline Cabriolet R-C

Zoé le Cabriolet
Fernlenk Carolina Cabriolina

Radio Control Carolina
Automóvel Telecomandado Rosa







Instruction Manual Caroline Cabriolet R-C

Age: From 2 years +

Please read these instructions carefully before use and keep them for future reference.

- This car requires 4 x 1.5 Volt, "AA" alkaline type batteries, while the remote control unit requires 2 x 1.5 Volt, "AA" alkaline type batteries. The batteries are not included.

For your child's safety:

CAUTION!

Before use remove and dispose of any plastic bags and any other packaging (e.g. fasteners and fixing ties etc) and keep them out of reach of children.

WARNING

- Check the toy regularly for signs of wear and damage. Should any part be damaged, do not use and keep out of reach of children.
- **Caution!**
 - Do not touch the wheels of the toy when in movement.
 - Do not use the toy on the road.
 - Do not use the toy on wet, sandy, or dusty surfaces.
 - Do not leave the remote control unit close to heat sources.
- The functioning of the toy can be affected by interference to the remote control unit caused by the following: the simultaneous use of two cars with the same frequency, high tension cables, high voltage transformers, certain types of buildings or walls, electromagnetic pollution, the presence of signals emitted by other equipment.
The remote control has an effective range of approximately 7 metres (this could be further reduced due to environmental conditions).

TECHNICAL CHARACTERISTICS

Transmitter current absorption = 20 Amps

Receiver current absorption = 600 Amps

Car:

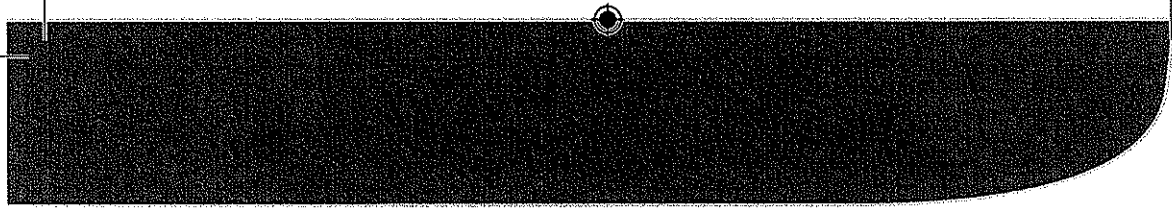
Diag. A

- 1) On/off switch lever (I / O)
- 2) Battery compartment cover
- 3) Direction setting selector

Remote Control:

Diag. B

- 4) Battery compartment cover
- 5) Forward left button

- 
- 6) Forward right button
 - 7) Forward straight button
 - 8) Reverse straight button

Diag. C

- 9) Aerial – handle
- 10) Button to release the remote control
- 11) Fitting prong

INTRODUCTION TO THE TOY

This toy is a remote control car that moves in four directions (forward straight, reverse straight, forward to the left, forward to the right).

Thanks to its simple commands, the car can be used by two year olds and upward. At this age a child can begin to use the remote control unit by simply pressing the buttons and watching the direction the car takes. This exercise is very important because it allows children to extend their field of vision and develops their ability to co-ordinate hand movements.

By the age of three, a child learns to associate the direction selected by using the remote control unit with the effect produced (corresponding to the car's movement). At the beginning, children learn to control the car until it meets an obstacle. At a later stage, they learn to co-ordinate precisely the correct use of the remote control unit to achieve the desired direction.

HOW TO USE THE TOY

1. Switch on the toy by positioning the ON/OFF switch lever (fig. A-1), located under the car, on I.
2. Activate the car by pressing the buttons on the remote control unit. The remote control unit has four buttons, which correspond to the following directions: forward left (fig. B-5), forward right (fig. B-6), forward straight (fig. B-7), reverse straight (fig. B-8).
3. After use the car should always be switched off by positioning the sliding switch (fig. A-1) on O.

Fitting the remote control unit onto the car

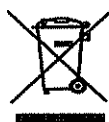
- When the car is switched off, the remote control unit can be fitted onto the car. When fitting, position the remote control unit as shown in diagram D ensuring that the prong (fig. C-11) is inserted in the rear section of the car. Then press down until securely fitted. When the remote control unit is fitted, the aerial (fig. C-9) functions as a handle to allow the toy to be easily carried.
- To remove the remote control unit, press the button indicated and then lift (fig. C-10).

Regulating the direction settings

When pressing the forward straight button (fig. B-7), if the car does not maintain a straight direction, it is possible to correct the direction by adjusting the selector located underneath the car one notch at a time (fig. A-3).

FITTING AND/OR REPLACING BATTERIES

- Adults must only fit batteries.
- To replace spent batteries: Loosen the screw on the battery compartment cover (fig. A-2 for the car and fig. B-4 for the remote control unit) with a screwdriver and open the cover. Then remove the spent batteries and fit new ones, ensuring that they have been fitted in the correct polarity (as shown on the product), close the battery cover, and tighten the screw.
- Only use alkaline batteries of the same type or equivalent to the type recommended for the correct function of this product.
- Never mix new and old or different types of batteries.
- Always keep batteries and tools out of reach of children.
- Do not short-circuit the battery terminals.
- Always remove spent batteries from the toy to avoid the danger of leakage from the battery damaging the product.
- Always remove the batteries if the toy will not be used for a long period of time.
- Remove the batteries from the car and remote control unit before disposal.
- Do not burn or dispose of spent batteries into the environment. Dispose of them at an appropriate differentiated collection point.
- In the case of battery leakage, replace them immediately and clean the battery compartment carefully. Wash hands thoroughly if they come into contact with the leaked fluid.
- Do not attempt to recharge non-rechargeable batteries as they might explode.
- Do not use rechargeable batteries as this could affect the functioning of the toy.
- If rechargeable batteries are used, remove from the toy before recharging. This operation should only be carried out under the supervision of an adult.
- The toy is not designed for use with replaceable lithium batteries. **CAUTION.** Improper use could be dangerous.

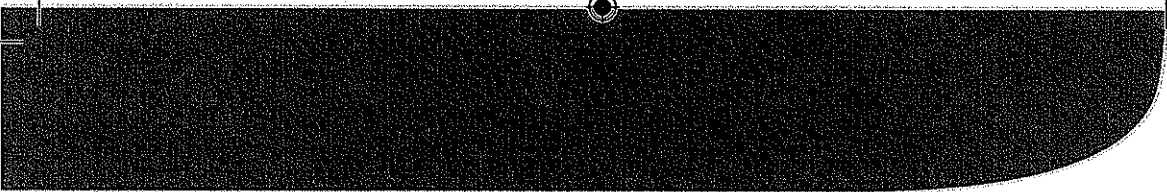


THIS PRODUCT IS APPROVED TO EU 2002/96/EC REGULATION.

The crossed bin symbol shown on the equipment indicates that, at the end of its useful life, the product must be treated separately from domestic waste, and disposed of at an appropriate differentiated collection point for electrical or electronic equipment, or delivered to the retailer at the time of purchase of new, equivalent equipment. The user is responsible for disposing of, or delivering, the worn or damaged equipment to the appropriate collection points. The appropriate differentiated collection and subsequent recycling or treatment of the equipment disposed of, in compliance with environmental laws, helps to avoid possible negative effects on health and on the environment, and favours the recycling of the materials that the product is made of. For further information on the collection systems available, please contact your local waste disposal service, or your retailer.

Declaration of Conformity of Code 70648 to EC Regulations

Artsana S.p.A. declares that this remote control toy MOD. 4-T – 4-R conforms to the essential requirements and to further regulations laid down in the 1999/5/EC directive. In conformity with the decision of the European Committee No. 2000/299/EC of



06/04/2000, the frequency band used by this toy is the harmonized band used in all EU Countries. This is therefore a class 1 product, which can be used in all European Community Countries.

CARE & MAINTENANCE

- Clean the toy with a soft cloth.
- Protect the toy from shocks, heat, dust, sand, humidity and water.

ARTSANA S.p.A. reserves the right to modify the contents of these instructions at any time and without prior notice.

The reproduction, transmission, copying, as well as the translation into another language, of any part of these instructions, are absolutely forbidden without the previous written authorization by ARTSANA.

Made in China.



Cod. 70648

Annetje Cabrioletje
Kilpa-Auto Karoliina
Carolina Cabriolet
Carolina Cabriolet

Αυτοκιντάκι Carolina με τηλεχειριστήριο
Carolina Cabriolina
Кабриолет Каролина
کارولینا کابریولینا کود

CE

chicco

Artsana S.p.A. - Via Saldarini Catelli, 1 - Grandate - Como - Italy - Made in China

70595_ZZ_1

www.chicco.com

70648 Carolina Cabriolina R/C

This device complies with part 15 of the FCC Rules.

Operation is subject to the following two conditions:

- 1) this device may not cause harmful interference, and
- 2) this device must accept any interference received, including interference that may cause undesired operation.

Caution:

Changes or modifications not expressly approved by the party responsible for compliance could void the user's authority to operate the equipment.

NOTES:

This product has been tested and found to comply with the limits for a Class B digital device, pursuant to Part 15 of the FCC Rules. These limits are designed to provide reasonable protection against harmful interference in a residential installation.

This product generates, uses and can radiate radio frequency energy and, if not installed and used in accordance with the instructions, may cause harmful interference to radio communications. However, there is no guarantee that interference will not occur in a particular installation. If this product does cause harmful interference to radio or television reception, which can be determined by turning the equipment off and on, the user is encouraged to try to correct the interference by one or more of the following measures:

- a) Reorient or relocate the receiving antenna;
- b) Increase the separation between the equipment and receiver;
- c) Connect the equipment into an outlet on a circuit different from that to which the receiver is connected;
- d) Consult the dealer or an experienced radio / TV technician for help.