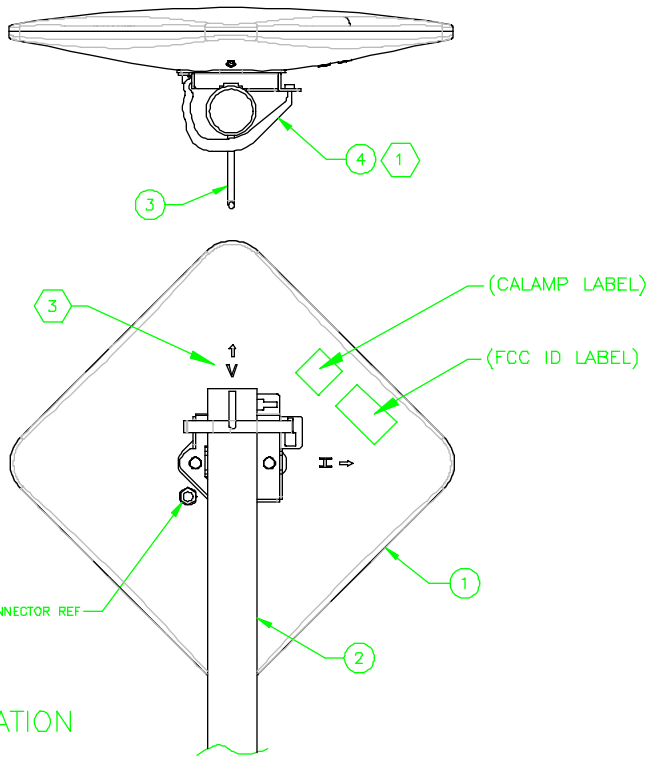


HORIZONTAL POLARIZATION



VERTICAL POLARIZATION