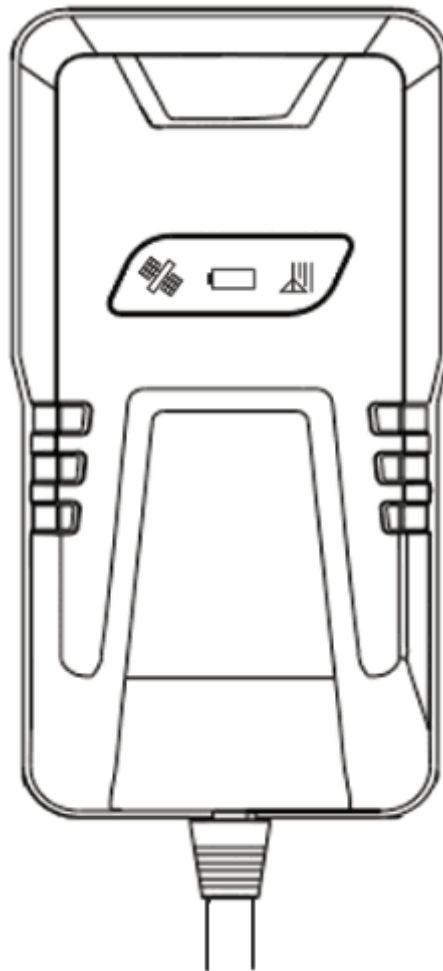


GSM/GPRS/GPS Tracker

G05 User Manual



Contents

◆ Quick using	3
◆ Installation attentions	3
1. Summary	4
2. Main functions	4
3. Specs.....	4
4. Installation instructions	5
5. Wires connection	6
6. Function setting.....	7
6.1 Initialization	7
6.2 Change Password	8
6.3 Authorization.....	8
6.4 Set Central Number-Receive Alarm SMS	8
6.5 Single Tracking	9
6.6 Set Time Interval Upload to Server	9
6.7 Cell ID Tracking.	9
6.8 IMEI Checking.....	9
6.9 Cut off the Oil and Power System	10
6.10 Resume the Oil and Power System.....	10
6.11 Set All Alarm Command.....	10
6.12 Switch GPRS & SMS mode.....	11
6.13 UDP/TCP mode	11
6.14 Check the Vehicle State	11
6.15 Time Setting	12
6.16 GPRS Setting	12
6.16.1 Set APN.....	12
6.16.2 Set IP(Domain) and Port.....	13
6.17 Web platform GPS tracking software.....	13
7 . Faults & the Solutions.....	14

Thank you for purchasing the tracker. This manual shows how to operate the device smoothly and correctly. Make sure to read this manual carefully before using this product. Please note that specification and information are subject to changes without prior notice in this manual. Any change will be integrated in the latest release.

◆ Quick using

- 1) Proper insert GSM SIM card, connect to power supply 12V/24V, Must turn on small switch to “ON” place.
- 2) Put device outside, around 45-90s three lights will keep lighting on stands for device can work normally.
- 3) Dialing device number, it will hang up and reply tracking message with valid Long and lat to show location.
- 4) Track online system need set two SMS as below:

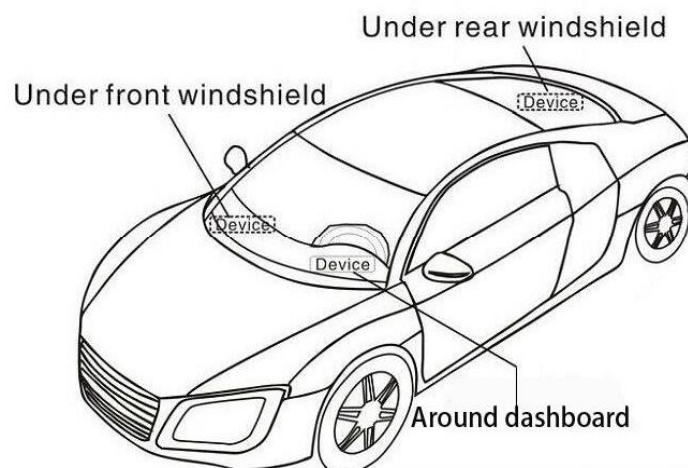
SMS 1: adminip123456 (space)121.201.109.14(space)6969

SMS 2: apn123456(space)APN of operator(space)APN user name(space)APN password

◆ Installation attentions

NOTE: device front side towards the sky.

Installation: if the windscreen glued by metal thermal insulation layer or heating layer, it will reduce the GPS receive signal and lead to GPS work disorder.



1. Summary

Working Based on existing GSM/GPRS network and GPS satellites, this product can locate and monitor any remote targets by SMS or GPRS.

NOTE: Please turn on small switch inside SIM card hole after install SIM card

2. Main functions

- GSM quad-band frequency;
- Real time tracking by SMS/GPRS;
- Ignition ON alarm ;
- Overspeed alarm/Geo-fence alarm;
- Power Cut off alarm;
- Connect external relay to control vehicle oil or circuit (optional);

3.Specs.

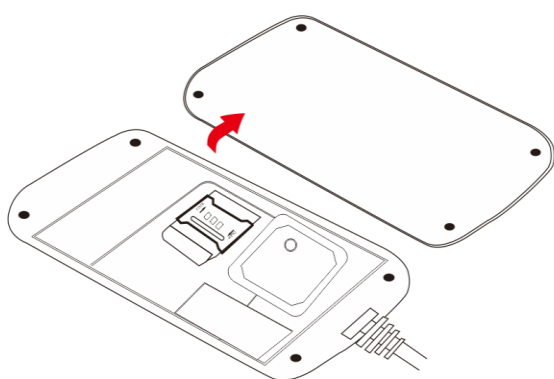
Content	Specs.
Dim.	90 (L) x49.3(W)x16.7(H)
Weight	50g
Network	GSM/GPRS/GPS, TCP/IP
Band	850/900/1800/1900 Mhz
GPS sensitivity	-159dBm
GPS accuracy	5-10m
Time To First Fix	Cold status 45-90s Warm status 35s Hot status 1s
Work voltage	12-24V
Storage Temp.	-40°C to +85°C
Operation Temp.	-20°C to +45°C
Humidity	15%--95%

4. Installation instructions

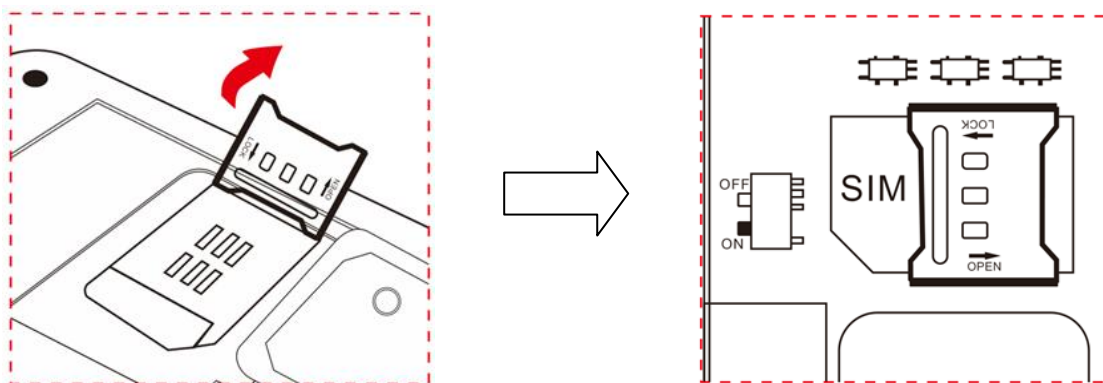
4.1 Preparation: Choose SIM card, need insert a GSM SIM card into device.

Please insert SIM card before turning the device power switch to on; The SIM card need open the GPRS function; Please make sure SIM card with full balance.

- Open back cover → Take out screw as below



- Insert SIM card → Switch button to “ON” place



4.2 Installation

The device is hidden type installation, we suggest the device installing by professional institution. Please pay attention to the following points:

4.2.2 The device has built-in GSM and GPS antenna, make sure the receive side upward and there is no metal shielding.

4.2.3 Recommended installation place: ① The hidden place in the board below the front windscreen; ② The hidden place around former dashboard (nonmetal material for skin); ③ The hidden place in the board below the back windscreen.

Notice: If the windscreen glued by metal thermal insulation layer or heating layer, it will reduce the GPS receive signal and lead to GPS work disorder, then please change the installation place.

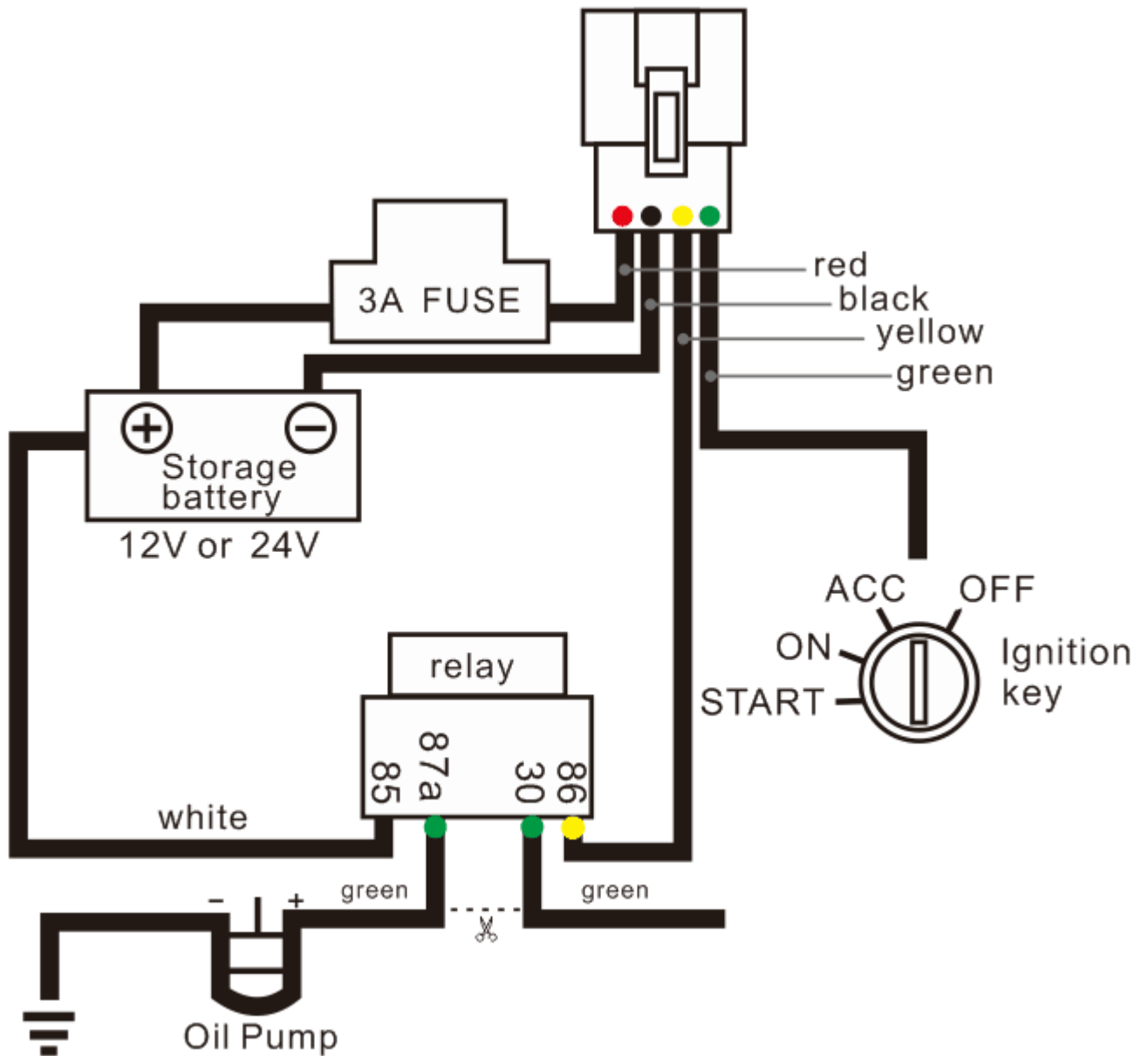
4.3 Device light description

Light	Signal	Normal status
Red light	Power	Stable light on
Yellow light	GSM signal	Stable light on
Blue	GPS signal	Stable light on

Note: the three lights must be stable lighting represents device can work normally. Device will turn into sleep mode with lights off after around 3 minutes, it will wake up if make a call to device number or detect any vibration.

5. Wires connection

- 1) Red wire connects to vehicle power anode
- 2) Black wire connects to vehicle power cathode
- 3) Yellow wire connects to oil or circuit control wires
- 4) Green wire connects to ACC ignition wire



6. Function setting

6.1 Initialization

Send SMS “**begin+password**” to the unit, it will reply “BEGIN,CONFIG OK ” and initialize all the settings to default factory settings. (default password: 123456)

For example: send SMS “begin123456”, it will reply “BEGIN,CONFIG OK ”.

The “+” in the command, please don’t type “+”, space means press the space keyboard on your cell phone.

6.2 Change Password

6.2.1 Send SMS “**password+old password+space+new password**” to the unit to change the password.

For example: send SMS “password123456 888888” to the unit. If succeeded, “PASSWORD,CONFIG OK” will reply to your cell phone from the device tracker. Make sure the new password is in 6 digits, or else the tracker cannot recognize the password.

6.3 Authorization

There are 5 numbers to be allowed to authorize in the tracker at most.

6.3.1 Authorization: Send SMS“**admin+password+space+cell phone number**” to set up an authorized number, the other central number should be set by the first authorized number, if the number is successfully authorized, the unit will reply” ADMIN,CONFIG OK” by SMS.

6.3.2 Delete authorization: Send SMS“**noadmin+password+space+authorized number**” to delete the authorized number.

6.4 Set Central Number-Receive Alarm SMS

There is 1 number to be allowed to set as central number.

All alarms will be received by central number.

6.4.1 Setup: send command “**centernum+password+space+number**” to tracker, it will reply “centernum ok”. After setup monitor center number, the

messages of auto track by SMS will be set to this center number, if all alarms need to be sent to this number too, then this center number must be setup as authorized number.

6.4.2 Cancel: Send “**centernum+password**” to tracker, it will reply “CENTERNUM,CONFIG OK”.

6.5 Single Tracking

Make a missed call to device number or Send SMS “**smlink+password**” to device number, it will reply a real time tracking message info as below:



```
http://maps.google.com/  
maps?q=N22.674878,E114.023  
439 Speed:0 km/h  
Time:10:46:12 Date:13/12/12  
IMEI:366866020133735  
接收时间 : 11:38
```

6.6 Set Time Interval Upload to Server

Send SMS command “**ITV+password+space+upload time interval**” to the tracker device.

For example: send SMS “ITV123456 10” it will report data to server at 10s time interval when vehicle is moving; device will stop sending GPS location once vehicle is static.

6.7 Cell ID Tracking.

After configure the APN, send SMS “**cell+password**” to device, it will reply cell ID info.

6.8 IMEI Checking

Send SMS command “**getimei+password**” to the unit. E.g. Send SMS

command "getimei123456" to the tracker device, an IMEI number in 15 digits will reply to your cell phone.

6.9 Cut off the Oil and Power System

Send SMS command “**DY+password+space+1**” to the tracker device, it will reply “DY CONFIG OK” to your cell phone from the tracker device, and stop your car oil pump or elec as well.

6.10 Resume the Oil and Power System

Send SMS command “**TY+password+space+1**” to the unit, It will reply “TY,CONFIG OK” and resume your car oil pump or elec as well.

6.11 Set All Alarm Command

Note: All Alarms only will be sent to Central Number

Function	SMS Command	Remark
Set Power Cut alarm	extpower123456(space)1	
Cancel Power Cut alarm	extpower123456(space)0	Default mode
Set Geo-fence	stockade123456(space)500(space)1	500:semidiameter is 500 meters
Cancel Geo-fence	nostockade123456	
Set overspeed alarm	speed123456(space)80	SPEED,CONFIG OK
Cancel overspeed alarm	speed123456(space)0	
Set ignition on alarm	ACC123456(space)1	
Cancel ignition on alarm	ACC123456(space)0	Default mode
Cancel vibration alarm	vibrate123456(space)0	Default mode

Set vibration level	vibrate123456(space)1	Vibrate Level:1, 2 ,3
Close all alarm	KC123456(space)0	
Set SMS alarm	KC123456(space)1	Default mode
Set calling alarm	KC123456(space)2	

6.12 Switch GPRS & SMS mode

Send SMS"**GPRS +password+space+0**" to tracker to close the GPRS function.

Send SMS"**GPRS +password+space+1**" to tracker to activate GPRS function

Note: default GPRS mode already.

6.13 UDP/TCP mode

Send SMS"**UDP+password+space+0**" to tracker represents TCP mode.

Send SMS"**UDP +password+space+1**" to tracker represents UDP mode.

Note: default TCP mode already.

6.14 Check the Vehicle State

Send SMS command "**check+password**" to the tracker device in the vehicle, it will reply following SMS:

```
CHECK,Imei:355488020116873,A
pn:CMNET,IP:116.205.4.114:8169,
Cnum:,Gps:1,Gsm:100,itv:20,500,
TZ:0,OS:1,GF:500,1,0,vib:5
```

imei: unique IMEI number for register in tracking platform.

apn: APN info. Of SIM card.

IP: server IP and Port number.

Cnum: central number for receive alarms.

GPS: 1 means GPS working, 0 means searching signal, -1 means GPS sleep for lower power consumption purpose.

GSM: 100 means GSM signal value normal.

ITV: moving time interval is default 20s,static time interval is 500s.

TZ: time zone is default GMT 0.

OS: overspeed alarm, 0 means deactivate, 1 means activate.

GF: 500,1,0: Geo-fence function, 500meters, 0,0 close alarm; 1,0 out fence alarm

Vib: vibration level..

6.15 Time Setting

Send SMS command “**timezone123456+space+(timezone*60)**” to the tracker unit.

For example: Send SMS “timezone123456 330”, +5.5 is India time zone, so it is $5.5*60=330$; If your country time zone is minus -6, send SMS “time zone123456 -360”.

6.16 GPRS Setting

User must send SMS via cell phone to set up APN, IP and port before starting tracking by GPRS on tracking system.

6.16.1 Set APN

1) APN standards for Access Point Name and differs from country to country.

For more information about your local APN, please inquire with your local GPRS network operator.

2) Send SMS “**APN+password+space+local APN+space+APN name+space+APN password**” via a cell phone and if succeeded, the tracker will return the message “APN OK”.

3) E.g. Send SMS command “APN123456 CMNET”. If succeeded, it will reply SMS “APN OK”

Notes: CMNET is the APN of one of china GPRS Network Operator (China

mobile), it has no APN name and Password.

6.16.2 Set IP(Domain) and Port

Send SMS: “**adminip+password+space+IP Address+space+port number**”, If succeeded, it will reply “ADMINIP, CONFIG OK”.

E.g. Send SMS: “adminip123456 121.201.109.14 6969” to the tracker device, (121.201.109.14 is IP, 6969 is port).

6.17 Web platform GPS tracking software

Web based platform www.secumore1818.com, Use IMEI login, default password 123456.

Web platform features as below:

- ◆ Real time tracking
- ◆ History trace replay
- ◆ Platform disable oil or recover oil
- ◆ Multiple user fleet management
- ◆ Detect vehicle alarms and status
- ◆ Support Andriod & IOS APP tracking

7 . Faults & the Solutions

Faults	Solution
yellow light flashing	Its failed to read SIM card, need re-install SIM card; after inserting SIM card, then turn on power
blue light flashing	GPS not located, check if working outside not in room; install place has no metal cover
Three light turn off	Lights will enter sleep after stable lighting on 3 minutes and not effect GPS working, when calling device again will wake up lights
Can't track online	Send SMS "check123456" check IP port ,APN,GPS status.
Device has no reply	Check if already existing admin number; SIM card has balance

This device complies with Part 15 of the FCC Rules. Operation is subject to the following two conditions: (1) this device may not cause harmful interference, and (2) this device must accept any interference received, including interference that may cause undesired operation.

Changes or modifications not expressly approved by the party responsible for compliance could void the user's authority to operate the equipment.

NOTE: This equipment has been tested and found to comply with the limits for a Class B digital device, pursuant to Part 15 of the FCC Rules. These limits are designed to provide reasonable protection against harmful interference in a residential installation. This equipment generates, uses instructions, may cause harmful interference to radio communications. However, there is no guarantee that interference will not occur in a particular installation. If this equipment does cause harmful interference to radio or television reception, which can be determined by turning the equipment off and on, the user is encouraged to try to correct the interference by one or more of the following measures:

- Reorient or relocate the receiving antenna.
- Increase the separation between the equipment and receiver.
- Connect the equipment into an outlet on a circuit different from that to which the receiver is connected.
- Consult the dealer or an experienced radio/TV technician for help.
- The distance between user and products should be no less than 30 cm.

Guarantee Card

User Name		Phone	
Address			
Model No		IMEI No	
Purchase Date		Invoice No	
Seller Name			
Address			
Seller Contact			
<p>1. Within warranty period, if any damage caused by the product's own quality, user can bring the purchasing invoice and warranty card to supplier to arrange repair.</p> <p>2. Those machines that has refitted or added other functions by user own will not be accepted to repair.</p> <p>3. Attempt to disassemble the product can damage it and void your warranty.</p> <p>4. This card and the purchasing invoice are both considered as a receipt for repair, please reserve it carefully.</p>			