



## D20D Wireless Receiver

## PR3 Wireless Presenter

USER GUIDE **EN**  
GUIA DE USUARIO **KR**

**IMPORTANT: READ BEFORE USE**  
Please read the following instructions and safety precautions before using the Presenter. Keep this sheet on hand for future reference.

- This machine supports Windows®, Macintosh, Android, Chrome OS, Linux® OS (operating system).
- When using the pointer for the first time, fully charge the battery.
- Before using the pointer, connect it to your computer.  
(There are two ways to use it: USB Receiver or Bluetooth.)

### HANDLING AND CARE

- This product is embedded with magnets at the back. Please be careful if implant electronic devices (such as cardiac pacemaker) nearby, as magnets may cause malfunctions. If this happens, please distance the magnet from the implant electronic device and consult the doctor at once.
- Keep the product out of reach of children.
- Never continue to use the product if it starts to smoke, emits a strange odor, or emits heat. Continued use of the product under such conditions creates the danger of fire and electric shock.
- When cleaning the product, do not use a damp cloth or volatile liquid such as paint thinner; instead, use only a soft, dry cloth.
- Do not use, store or leave the product at high temperatures (over 54 °C), such as in a fire, in direct sunlight, or in a car in a fire or flame.
- Never dispose of the Pointer improperly (such as burning), which can lead to personal injury or harm. You should dispose of this product in accordance with Federal, state, and Local regulations.
- If liquid leaks from the rechargeable battery or an unpleasant odor occurs, please keep away from the fire immediately.
- If charging does not complete after the specified charging time, do not charge it.
- Disassembling the battery may cause leakage, explosion, damage or personal injury.
- Do not use the product if the battery or product has swelled.

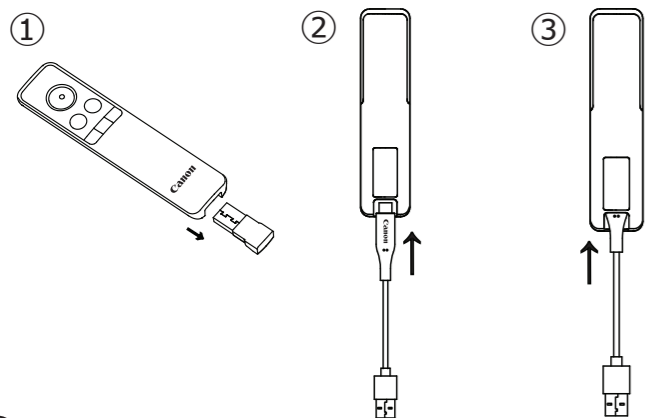
### BEFORE STARTING

#### BATTERY CHARGE

Pointer uses a built-in battery. Before using the Pointer, fully charge the battery using the USB cable provided. It will take about 45 minutes.

- Remove the USB receiver when charging. USB receiver can be stored in the pointer inside.
- Insert the smaller end of the supplied USB cable into the Pointer and the other end into a chargeable USB adapter.
- The charging LED light will turn red (gradually brighter / darker gradually) to indicate charging.
- Once fully charged, the charging LED will turn white.

- Operating time may vary depending on the battery status, operational status and environment conditions.
- If the LED light flashes red three times, charge the battery immediately.



### HANDLE THE USB CABLE WITH CARE WHILE CHARGING

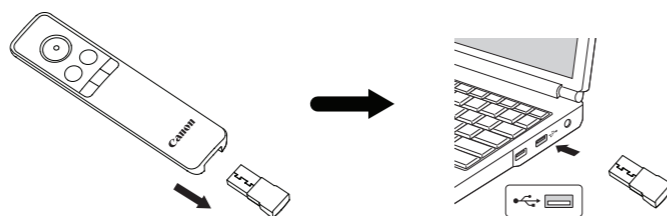
- Do not place any heavy objects on top of the cable.
- Do not place the USB cable near heat.
- Do not scratch, damage, twist or pull hard on the cable.
- Do not plug or unplug the cable with wet hands.
- Avoid too high/too low temperature or humid condition.
- Please unplug the USB cable from power source after charging.
- Please use supplied USB cable for charging.

### CONNECT THE POINTER

There are two methods to connect the Pointer to the computer - USB receiver or Bluetooth.

- When both connections are possible, it will be automatically connection the USB receiver first.

#### (1) USB receiver (2.4GHz) (D20D)



- If you are connected to a Mac, the "Keyboard Settings Statement" screen will be appears, do not perform the operations indicated on the screen and close it.

#### Tips for Use

- Before connecting the pointer to a computer, be sure to back up the data on the computer.
- When finished using the Pointer with a computer, remove the USB receiver from the computer and return it back in the bottom of the unit.
- When using the USB receiver on a different computer, please reconnect it for initial setup.
- RF connection requires battery power to function properly.
- If find having connection problems between the Pointer and computer, it will be briefly vibrated once. Please proceed as follows.
  - Remove the USB receiver and reinsert it again to check if it is possible to connect.
  - If the connection failed in spite of procedure (A), press and hold and at the same time to start pairing.
    - The body will vibrate for 1 time is connection.
    - The body does not vibrate the connection failed, please try pairing again.

#### (2) Bluetooth Low Energy (V4.1) (PR3)

- Open the PC setting screen and turn on the Bluetooth setting.
- Press and at the same time.
- When "Canon Presenter Bluetooth" is searched in the device list of the personal computer, connection will start automatically when it is selected.
  - Press any key to turn on the Pointer.
  - The LED light blinks white during connection check.
  - The LED light stops blinking and the Pointer vibrates connection.

#### Tips for Use

- Before connecting the Pointer with the Bluetooth device in your computer, be sure the Bluetooth feature in your computer is enable and ready.
  - When using with a different computer, please pair again using the initial setup.
  - Bluetooth connection requires enough power to function properly.
  - Frequency : 2.4 GHz frequency range
  - Connection Range : The operation range is up to 20 meters
- NOTE :** Connect range is affected by many factors, such as nearby metallic objects and relative positioning of the Pointer and receiver.

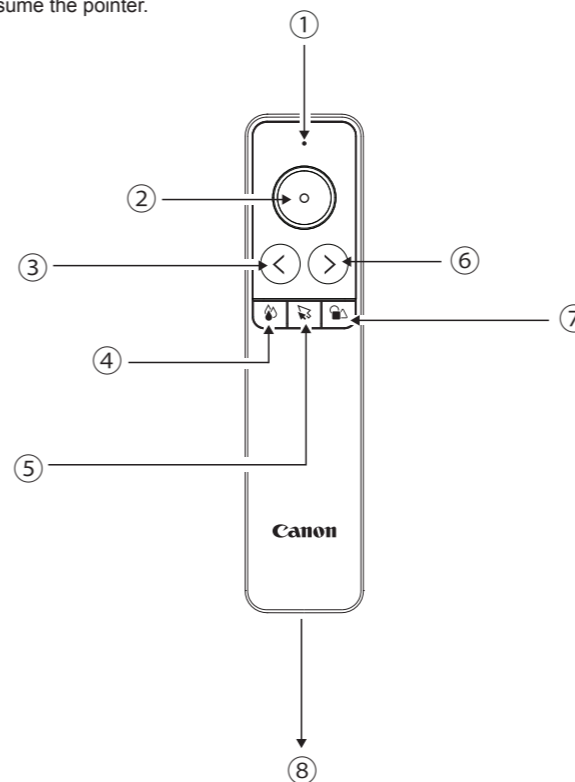
### TROUBLESHOOTING

- If the Pointer is not connecting or not functioning properly:
- Make sure computer meets the minimum system requirements.
  - Make sure the USB receiver is plugged into to the computer's USB port and is functioning properly.
  - Remove obstacles between the personal computer and Pointer.

The Bluetooth® word mark and logos are registered trademarks owned by Bluetooth SIG, Inc. and any use of such marks by Canon is under license. Other trademarks and trade names are those of their respective owners.

### PRODUCT FEATURES

- Press any button to turn on the pointer. If there is no operation of the pointer for 20 minutes, the power will automatically turned off. Press any key to resume the pointer.



#### ① LED Light

- Refer to "LED Light and Vibration Indication" for detail.
- When the battery becomes insufficient, the LED light will be flashing in red three times. Charge the battery . If the battery is insufficient, it can not be connected to the computer.

#### ② Mouse Pointer Button

- Press and hold the button to control the cursor.

#### ③ Forward button / ④ Back button

#### ⑤~⑦ Mouse Pointer Setting Button (Using in App only)

- ⑤ Color setting button – Change the color of custom cursor
- ⑥ Size setting button – Change the size of custom cursor
- ⑦ Shape setting button – Change the type / shape of custom cursor
- Drag and drop operations are not possible

#### ⑧ USB receiver / USB port for charging

- The USB receiver is inserted at the bottom of the unit.
- Remove the USB receiver when charging.

### LED LIGHT AND VIBRATION INDICATION

Status	Condition
Lower Battery	Red flashing 3 times, after key pressed
Charging	Red Fade-in fade-out slowly, 1 time vibration
Charging Completed	White
Charging Error	No light
Bluetooth Pairing	White flashing
Bluetooth Pairing Successful	No light and 1 time vibration
USB Receiver Pairing	No indication
USB Receiver Pairing Successful	White flashing 2 times, 1 time vibration
USB Receiver Pairing Error	White flashing 2 times
Reconnect USB Receiver or Bluetooth	1 time vibration

### CANON PRESENTATION UTILITY APP

Download and install the CANON PRESENTATION UTILITY app on your computer to use other functions.

<http://cweb.canon.jp/e-support/software/index.html>

- Connection via USB receiver or Bluetooth
  - CANON PRESENTATION UTILITY works on Windows® OS X, MacOS, Android
- The following functions are in "CANON PRESENTATION UTILITY"
- Home** – Access paired pointer information and setting
  - Pointer** – You can apply the desired image or set it as a custom pointer.
    - Used button to setting
    - Two preset mouse pointers can be registered as Pointer A and Pointer B. Pointer A and Pointer B can be switched while using the pointer.
    - If you are using another computer, need to reset Pointer A and Pointer B.
  - Time mode** – Setting the Clock, alarm and timer function
    - Timers can be set from 1 minute to 999 minutes in minutes.
    - Pointer will vibrate 1 time to start, 2 times to reminder time and 3 times to timer end.
  - Device setting** – Setting the speed and Vibration Intensity
  - App setting** – Setting the time format (12 or 24 hours) , languages and automatic startup
  - About** – View the tutorial, check app version and updated software
- The settings for each item need to be reset when changing to another computer.

### SYSTEM REQUIREMENTS

**Hardware:** Bluetooth-enabled (V4.0 or above) computer (with either built-in Bluetooth connection device or external Bluetooth dongle)  
Windows® based PC x86 / x64 or above, Intel-based Mac

**Operating System:** Windows® 7 or Windows® 8 or Windows® 8.1 or Windows® 10 Mac OS X10.5 ~10.11, macOS 10.12 - 10.13

### SPECIFICATIONS

Power Source: Internal rechargeable battery 130 mAh Li-Polymer 3.7V  
Wireless connection : Bluetooth Low Energy V4.1 and USB receiver  
Frequency: 2.4 GHz frequency range  
Connection Range: The operating range is up to 20 meters  
Operating Temperature: 0°C to 40°C  
Dimension:134mm (L) x 32mm (W) x 12mm (H)  
Weight: 40.5g  
Accessory: USB receiver (D20D) , USB cable  
NOTE : All specifications are subject to change without notice.

NOTE:The wireless receiver D20D does not support BLE, but only supports 2.4GHz RF.

The Wireless Presenter PR3 supports BLE and 2.4GHz RF function.

**CANON ELECTRONIC BUSINESS MACHINES (H.K.) CO., LTD.**  
17/F., Tower One, Ever Gain Plaza, 82-100 Container Port Road, Kwai Chung, New Territories, Hong Kong (ZEN)

**CANON U.S.A., INC.**  
One Canon Park, Melville, NY 11747, 1-800-OK-CANON

**CANON CANADA INC.**  
8000 Mississauga Road, Brampton, Ontario L6Y 5Z7 Canada

MADE IN CHINA / PRINTED IN CHINA  
© CANON ELECTRONIC BUSINESS MACHINES (H.K.) CO., LTD. 2019

**FCC Warning**

This device complies with part 15 of the FCC Rules. Operation is subject to the following two conditions: (1) This device may not cause harmful interference, and (2) this device must accept any interference received, including interference that may cause undesired operation.

Any Changes or modifications not expressly approved by the party responsible for compliance could void the user's authority to operate the equipment.

Note: This equipment has been tested and found to comply with the limits for a Class B digital device, pursuant to part 15 of the FCC Rules. These limits are designed to provide reasonable protection against harmful interference in a residential installation. This equipment generates uses and can radiate radio frequency energy and, if not installed and used in accordance with the instructions, may cause harmful interference to radio communications. However, there is no guarantee that interference will not occur in a particular installation. If this equipment does cause harmful interference to radio or television reception, which can be determined by turning the equipment off and on, the user is encouraged to try to correct the interference by one or more of the following measures:

- Reorient or relocate the receiving antenna.
- Increase the separation between the equipment and receiver.
- Connect the equipment into an outlet on a circuit different from that to which the receiver is connected.
- Consult the dealer or an experienced radio/TV technician for help.

The device has been evaluated to meet general RF exposure requirement. The device can be used in portable exposure condition without restriction.

## IC Warning

This device complies with Industry Canada licence-exempt RSS standard(s). Operation is subject to the following two conditions:

- (1) This device may not cause interference, and
- (2) This device must accept any interference, including interference that may cause undesired operation of the device.

Changes or modifications not expressly approved by the party responsible for compliance could void the user's authority to operate the equipment.

The device has been evaluated to meet general RF exposure requirement. The device can be used in portable exposure condition without restriction.

Le présent appareil est conforme aux CNR d'Industrie Canada applicables aux appareils radio exempts de licence. L'exploitation est autorisée aux deux conditions suivantes:

- (1) l'appareil ne doit pas produire de brouillage, et
- (2) l'utilisateur de l'appareil doit accepter tout brouillage radioélectrique subi, même si le brouillage est susceptible d'en compromettre le fonctionnement

Les modifications ou les autorisations ne sont pas expressees par le responsable du parti pour que la conformité puisse nuire à l'autorité de l'utilisateur pour autoriser l'équipement.

L'appareil a été évalué pour répondre aux exigences générales en matière d'exposition aux RF. L'appareil peut être utilisé dans des conditions d'exposition portables sans restriction.

FCC Caution.

This device complies with part 15 of the FCC Rules. Operation is subject to the following two conditions:

- (1) This device may not cause harmful interference, and
- (2) this device must accept any interference received, including interference that may cause undesired operation.

Any Changes or modifications not expressly approved by the party responsible for compliance could void the user's authority to operate the equipment.

Note: This equipment has been tested and found to comply with the limits for a Class B digital device, pursuant to part 15 of the FCC Rules. These limits are designed to provide reasonable protection against harmful interference in a residential installation. This equipment generates uses and can radiate radio frequency energy and, if not installed and used in accordance with the instructions, may cause harmful interference to radio communications. However, there is no guarantee that interference will not occur in a particular installation. If this equipment does cause harmful interference to radio or television reception, which can be determined by turning the equipment off and on, the user is encouraged to try to correct the interference by one or more of the following measures:

- Reorient or relocate the receiving antenna.
- Increase the separation between the equipment and receiver.
- Connect the equipment into an outlet on a circuit different from that to which the receiver is connected.
- Consult the dealer or an experienced radio/TV technician for help.

This equipment complies with FCC radiation exposure limits set forth for an uncontrolled environment. This equipment should be installed and operated with minimum distance 20cm between the radiator & your body.

## IC Warning

This device complies with Industry Canada licence-exempt RSS standard(s). Operation is subject to the following two conditions:

- (1) This device may not cause interference, and
- (2) This device must accept any interference, including interference that may cause undesired operation of the device.

Changes or modifications not expressly approved by the party responsible for compliance could void the user's authority to operate the equipment.

This equipment complies with FCC radiation exposure limits set forth for an uncontrolled environment. This equipment should be installed and operated with minimum distance 20cm between the radiator & your body.

Le présent appareil est conforme aux CNR d'Industrie Canada applicables aux appareils radio exempts de licence. L'exploitation est autorisée aux deux conditions suivantes:

- (1) l'appareil ne doit pas produire de brouillage, et
- (2) l'utilisateur de l'appareil doit accepter tout brouillage radioélectrique subi, même si le brouillage est susceptible d'en compromettre le fonctionnement

Les modifications ou les autorisations ne sont pas expresses par le responsable du parti pour que la conformité puisse nuire à l'autorité de l'utilisateur pour autoriser l'équipement.

Cet équipement est conforme aux limites d'exposition aux radiations de la FCC définies pour un environnement non contrôlé. Cet équipement doit être installé et utilisé à une distance minimale de 20 cm entre le radiateur et votre corps.