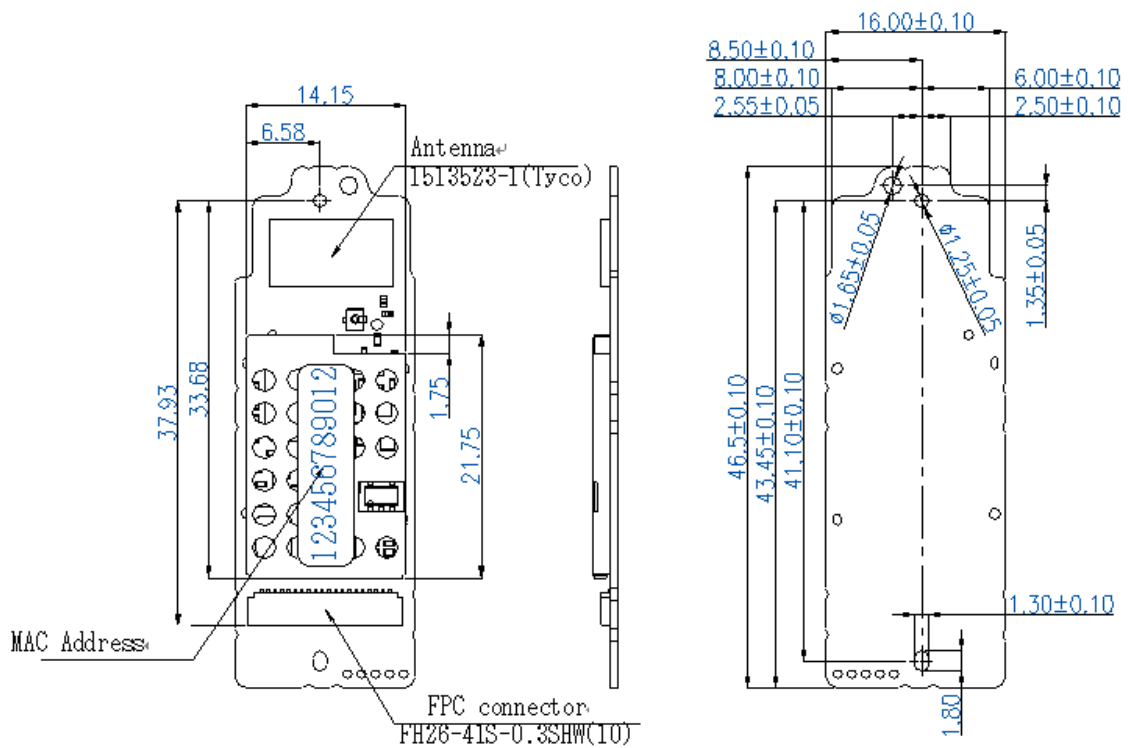


CM13264

WLAN MODULE UNIT

Installation Manual

Module dimension

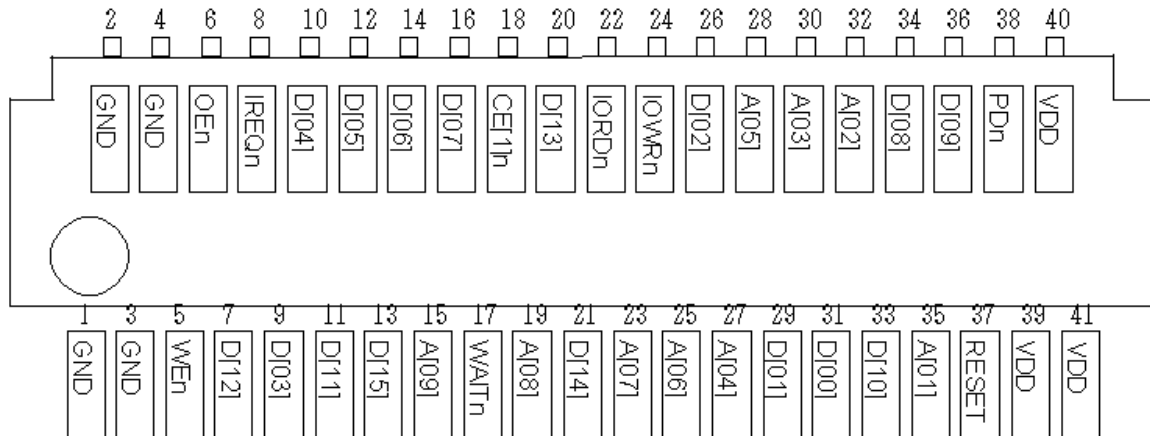


There are 3 holes on modules to fix module in host Application like DSC and printer. The 3 holes are insulated from Modules.

FPC connector

Part name of FPC connector on module is FH26-41S-0.3SHW(10). FPC which connects module and host application has to be designed to adapted for FH26-41S-0.3SHW(10).

Pin layout of FH26-41S-0.3SHW(10) on module is shown below.



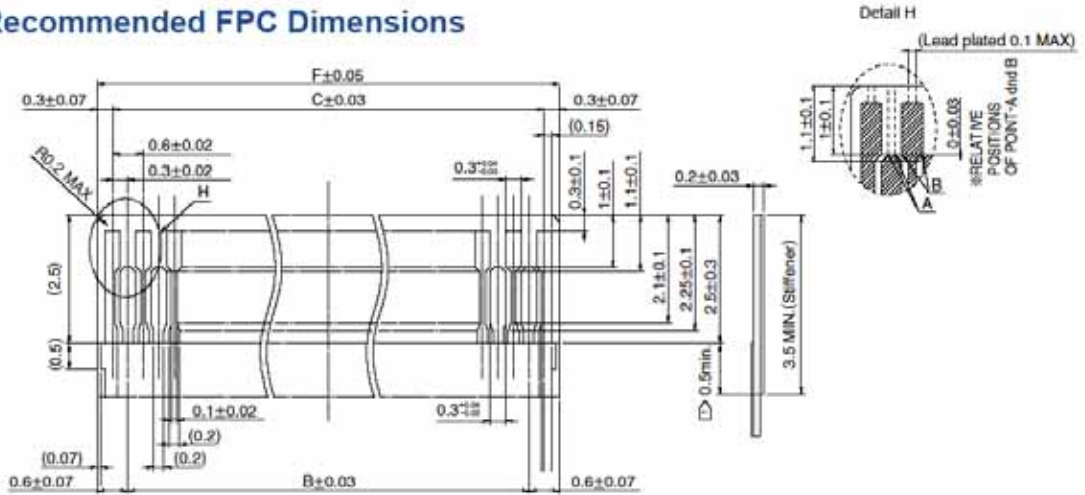
Pin description is below

No.	Pin Name	I/O Type	Description
1	GND	-	Connect to GND
2	GND	-	Connect to GND
3	GND	-	Connect to GND
4	GND	-	Connect to GND
5	WEn	I	Connect to CF card #36 (WEn) Internally 100kohm Pull up.
6	OEn	I	Connect to CF card #9 (OEn) Internally 100kohm Pull up.
7	D[12]	I/O	Connect to CF card #28 (D[12]) Internally 100kohm Pull up.
8	IREQn	O	Connect to CF card #37 (IREQn) Internally 100kohm Pull up.
9	D[03]	I/O	Connect to CF card #2 (D[03]) Internally 100kohm Pull up.
10	D[04]	I/O	Connect to CF card #3 (D[04]) Internally 100kohm Pull up.
11	D[11]	I/O	Connect to CF card #27 (D[11]) Internally 100kohm Pull up.
12	D[05]	I/O	Connect to CF card #4 (D[05]) Internally 100kohm Pull up.
13	D[15]	I/O	Connect to CF card #31 (D[15]) Internally 100kohm Pull up.
14	D[06]	I/O	Connect to CF card #5 (D[06]) Internally 100kohm Pull up.

15	A[09]	I	Connect to CF card #10 (A[09]) Internally 100kohm Pull up.
16	D[07]	I/O	Connect to CF card #6 (D[07]) Internally 100kohm Pull up.
17	WAITn	O	Connect to CF card #42 (WAITn) Internally 100kohm Pull up.
18	CE[1]n	I	Connect to CF card #7 (CE[1]n) Internally 100kohm Pull up.
19	A[08]	I	Connect to CF card #11 (A[08]) Internally 100kohm Pull up.
20	D[13]	I/O	Connect to CF card #29 (D[13]) Internally 100kohm Pull up.
21	D[14]	I/O	Connect to CF card #30 (D[14]) Internally 100kohm Pull up.
22	IORDn	I	Connect to CF card #34 (IORDn) Internally 100kohm Pull up.
23	A[07]	I	Connect to CF card #12 (A[07]) Internally 100kohm Pull up.
24	IOWRn	I	Connect to CF card #35 (IOWRn) Internally 100kohm Pull up.
25	A[06]	I	Connect to CF card #14 (A[06]) Internally 100kohm Pull up.
26	D[02]	I/O	Connect to CF card #23 (D[02]) Internally 100kohm Pull up.
27	A[04]	I	Connect to CF card #16 (A[04]) Internally 100kohm Pull up.
28	A[05]	I	Connect to CF card #15 (A[05]) Internally 100kohm Pull up.
29	D[01]	I/O	Connect to CF card #22 (D[01]) Internally 100kohm Pull up.
30	A[03]	I	Connect to CF card #17 (A[03]) Internally 100kohm Pull up.
31	D[00]	I/O	Connect to CF card #21 (D[00]) Internally 100kohm Pull up.
32	A[02]	I	Connect to CF card #18 (A[02]) Internally 100kohm Pull up.
33	D[10]	I/O	Connect to CF card #49 (D[10]) Internally 100kohm Pull up.
34	D[08]	I/O	Connect to CF card #47 (D[08]) Internally 100kohm Pull up.
35	A[01]	I	Connect to CF card #19 ([A1]) Internally 100kohm Pull up.
36	D[09]	I/O	Connect to CF card #48 (D[09]) Internally 100kohm Pull up.
37	RESET	I	Connect to CF card #41 (Reset), Active High, Internally 100kohm Pull down.
38	PDn	I	Assert L to enter Power Save mode. Internally 200kohm Pull up.
39	VDD	-	Connect to 3.3V
40	VDD	-	Connect to 3.3V
41	VDD	-	Connect to 3.3V

Recommended FPC Dimension

◆ Recommended FPC Dimensions



B = 11.4

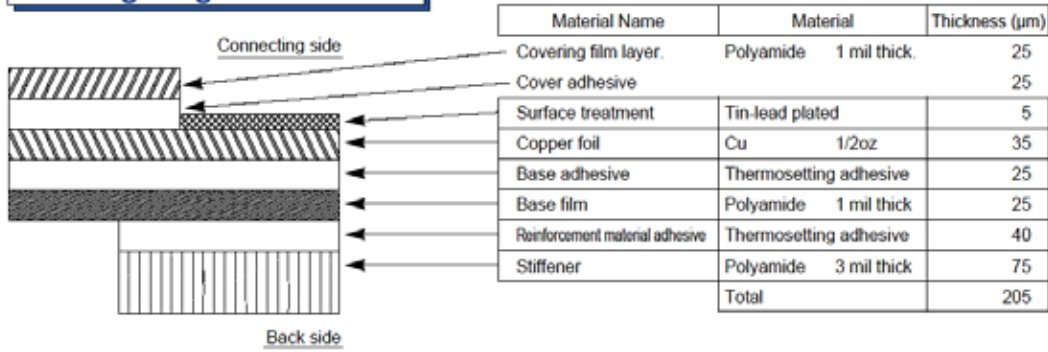
C = 12.0

F = 12.6

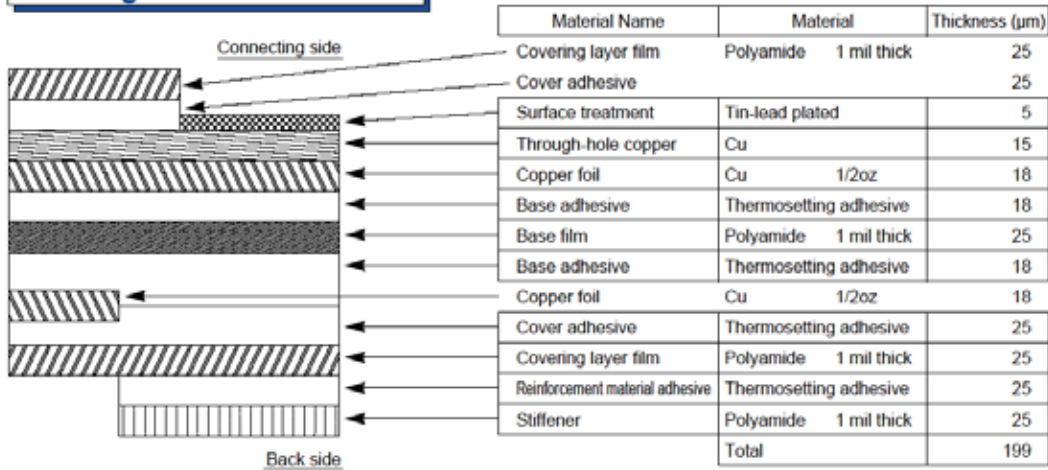
All dimension: mm

Recommended FPC Construction

1. Using Single-sided FPC



2. Using Double-sided FPC



● To prevent release of the FPC due to its bending, use of double sided FPC with copper foil on the back side is NOT RECOMMENDED.

FCC WARNING

Changes or modifications not expressly approved by the party responsible for compliance could void the user's authority to operate the equipment.

NOTICE

The antenna(s) used for this transmitter must be installed to provide a separation distance of at least 20 cm from all persons and must not be co-located or operating in conjunction with any other antenna or transmitter. OEM integrators and end-users must be provided with transmitter operation conditions for satisfying RF exposure compliance. This grant is valid only when the device is sold to OEM integrators and the OEM integrators are instructed to ensure that the end user has no manual instructions to remove or install the device with any other antenna or transmitter.

This equipment complies with FCC radiation exposure limits set forth for uncontrolled equipment and meets the FCC radio frequency (RF) Exposure Guidelines in Supplement C to OET65. This equipment has very low levels of RF energy that it is deemed to comply without testing of specific absorption ratio (SAR).

IC WARNING

(This device complies with Part 15 of FCC Rules.) Operation is subject to the following two conditions: (1) this device may not cause interference, and (2) this device must accept any interference, including interference that may cause undesired operation of this device.

Declaration of conforming to R&TTE requirement

Česky [Czech]

Murata Manufacturing Co., Ltd. tímto prohlašuje, že tento CM13264 je ve shodě se základními požadavky a dalšími příslušnými ustanoveními směrnice 1999/5/ES.

Dansk [Danish]

Undertegnede Murata Manufacturing Co., Ltd. erklærer herved, at følgende udstyr CM13264 overholder de væsentlige krav og øvrige relevante krav i direktiv 1999/5/EF.

Deutsch [German]

Hiermit erklärt Murata Manufacturing Co., Ltd., dass sich das Gerät CM13264 in Übereinstimmung mit den grundlegenden Anforderungen und den übrigen einschlägigen Bestimmungen der Richtlinie 1999/5/EG befindet.

Eesti [Estonian]

Käesolevaga kinnitab Murata Manufacturing Co., Ltd. seadme CM13264 vastavust direktiivi 1999/5/EÜ põhinõuetele ja nimetatud direktiivist tulenevatele teistele asjakohastele sätetele.

English

Hereby, Murata Manufacturing Co., Ltd., declares that this CM13264 is in compliance with the essential requirements and other relevant provisions of Directive 1999/5/EC.

Español [Spanish]

Por medio de la presente Murata Manufacturing Co., Ltd. declara que el CM13264 cumple con los requisitos esenciales y cualesquiera otras disposiciones aplicables o exigibles de la Directiva 1999/5/CE.

Ελληνική [Greek]

ΜΕ ΤΗΝ ΠΑΡΟΥΣΑ Murata Manufacturing Co., Ltd. ΔΗΛΩΝΕΙ ΟΤΙ CM13264 ΣΥΜΜΟΡΦΩΝΕΤΑΙ ΠΡΟΣ ΤΙΣ ΟΥΣΙΩΔΕΙΣ ΑΠΑΙΤΗΣΕΙΣ ΚΑΙ ΤΙΣ ΛΟΙΠΕΣ ΣΧΕΤΙΚΕΣ ΔΙΑΤΑΞΕΙΣ ΤΗΣ ΟΔΗΓΙΑΣ 1999/5/ΕΚ.

Français [French]

Par la présente Murata Manufacturing Co., Ltd. déclare que l'appareil CM13264 est conforme aux exigences essentielles et aux autres dispositions pertinentes de la directive 1999/5/CE.

Italiano [Italian]

Con la presente Murata Manufacturing Co., Ltd. dichiara che questo CM13264 è conforme ai requisiti essenziali ed alle altre disposizioni pertinenti stabilite dalla direttiva 1999/5/CE.

Latviski [Latvian]

Ar šo Murata Manufacturing Co., Ltd. deklarē, ka CM13264 atbilst Direktīvas 1999/5/EK būtiskajām prasībām un citiem ar to saistītajiem noteikumiem.

Lietuvių [Lithuanian]

Šiuo Murata Manufacturing Co., Ltd. deklaruoja, kad šis CM13264 atitinka esminius reikalavimus ir kitas 1999/5/EB Direktyvos nuostatas.

Nederlands [Dutch]

Hierbij verklaart Murata Manufacturing Co., Ltd. dat het toestel CM13264 in overeenstemming is met de essentiële eisen en de andere relevante bepalingen van richtlijn 1999/5/EG.

Malti [Maltese]

Hawnhekk, Murata Manufacturing Co., Ltd., jiddikjara li dan CM13264 jikkonforma mal-ħtiġijiet essenzjali u ma provvedimenti oħrajn relevanti li hemm fid-Dirrettiva 1999/5/EC.

Magyar [Hungarian]

Alulírott, Murata Manufacturing Co., Ltd. nyilatkozom, hogy a CM13264 megfelel a vonatkozó alapvető követelményeknek és az 1999/5/EC irányelv egyéb előírásainak.

Português [Portuguese]

Murata Manufacturing Co., Ltd. declara que este CM13264 está conforme com os requisitos essenciais e outras disposições da Directiva 1999/5/CE.

Slovensko [Slovenian]

Murata Manufacturing Co., Ltd. izjavlja, da je ta CM13264 v skladu z bistvenimi zahtevami in ostalimi relevantnimi določili direktive 1999/5/ES.

Slovensky [Slovak]

Murata Manufacturing Co., Ltd. týmto vyhlasuje, že CM13264 spĺňa základné požiadavky a všetky príslušné ustanovenia Smernice 1999/5/ES.

Suomi [Finnish]

Murata Manufacturing Co., Ltd. vakuuttaa täten että CM13264 tyyppinen laite on direktiivin 1999/5/EY oleellisten vaatimusten ja sitä koskevien direktiivin muiden ehtojen mukainen.

Svenska [Swedish]

Härmed intygar Murata Manufacturing Co., Ltd. att denna CM13264 står i överensstämmelse med de väsentliga egenskapskrav och övriga relevanta bestämmelser som framgår av direktiv 1999/5/EG.

Íslenska [Icelandic]

Hér með lýsir Murata Manufacturing Co., Ltd. yfir því að CM13264 er í samræmi við grunnkröfur og aðrar kröfur, sem gerðar eru í tilskipun 1999/5/EC.

Norsk [Norwegian]

Murata Manufacturing Co., Ltd. erklærer herved at utstyret CM13264 er i samsvar med de grunnleggende krav og øvrige relevante krav i direktiv 1999/5/EF.