

Canon

Starter Guide

**imageRUNNER
ADVANCE
C350iF / C250iF**

Read this guide first.

Please read this guide before operating this product. After you finish reading the guide, store it in a safe place for future reference.

Manuals for the Machine

The manuals for this machine are divided as follows. Please refer to them for detailed information.



Guides with this symbol are printed manuals.



Guides with this symbol are included on the accompanying CD-ROM.



Guides with this symbol can be downloaded from the Canon website (<http://www.canon.com/>) and installed.



Starter Guide (This Manual)

- Describes the precautions for using the machine.
- Describes how to open and install the machine.
- Describes the maintenance and troubleshooting procedures for the machine.
- Includes the specifications of the machine.



Quick Operation Guide

- Describes the basic operations for using the machine.
- When you do not understand how to use one of the machine's operations, you can quickly check it here.



e-Manual (HTML Manual)

- Describes all the functions of the machine. Also provided with a search function that is useful for finding and checking information.
- Includes "Practical Workflows," which introduces flows of practical operations using functions of the machine.



Driver Installation Guide

- Provides instructions on installing the printer, fax, and other drivers.

Windows:

- Printer Driver Installation Guide
- Fax Driver Installation Guide
- Color Network ScanGear 2 Installation Guide

Mac OS:

- Canon Printer Driver Guide
- Canon Fax Driver Guide

- Included on the same CD-ROM as each driver.

To view the manual in PDF format, Adobe Reader/Acrobat Reader/Acrobat is required. If Adobe Reader/Acrobat Reader/Acrobat is not installed on your system, please download it from the Adobe Systems Incorporated website (<http://www.adobe.com>).

How to Use the e-Manual

How to Install the e-Manual

Windows

1. Insert the e-Manual CD-ROM in your computer.
2. Select the language for the e-Manual → click [Next].
If you select [Display], the e-Manual is displayed without installation.
3. Read the License Agreement, and then click [Yes].
4. Select [Install].

NOTE

If the shortcut icon created on the Desktop or the [index.html] file is double-clicked, the e-Manual is displayed.

Macintosh

1. Insert the e-Manual CD-ROM into your computer.
2. Drag-and-drop the [iRADV_C350iF Manual_enu] folder to the location you want to save the e-Manual.
3. Double-click the [index.html] file inside the [iRADV_C350iF Manual_enu] folder to display the e-Manual.

NOTE

Depending on the operating system you are using, a security protection message may appear. In this case, allow the content to be displayed.

If the e-Manual (CD-ROM) Does Not Start

The CD-ROM auto run function may be disabled. In this case, you must perform the following procedure.

Windows XP/Server 2003

1. Click [Start] on the taskbar → click [My Computer].
2. Double-click the e-Manual icon.
3. Double-click [Maninst.exe].

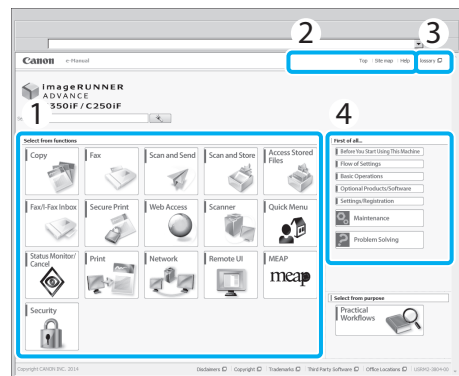
Windows Vista/7/Server 2008

1. Click [Start] on the taskbar → click [Computer].
2. Double-click the e-Manual icon.
3. Double-click [Maninst.exe].

Windows 8/Server 2012

1. Display the desktop → click the explorer icon on the taskbar.
2. Click [Computer].
3. Double-click the e-Manual icon.
4. Double-click [Maninst.exe].

Top Page of the e-Manual



1 Select from functions

The instructions for each function and operation method are described.

2 [Top], [Site map], [Help]

Links to the e-Manual's top page, site map, and help are displayed.

3 [Glossary]

A link to the glossary is displayed.

4 First of all...

This section contains information needed to use the machine, and information on optional products and software.

Contents

Preface	04
How To Use This Manual	04
Symbols Used in This Manual.....	04
Keys and Buttons Used in This Manual.....	04
Displays Used in This Manual	05
Illustrations Used in This Manual.....	05
Trademarks.....	05

Chapter 1 Installation of the Machine

Installation Location and Handling	08
Installation Precautions.....	08
Avoid Installing the Machine in the Following Locations.....	08
Select a Safe Power Supply	09
Moving the Machine.....	09
Provide Adequate Installation Space.....	09
Handling Precautions.....	10
Installing the Machine	11
1 Carrying the Machine to the Installation Site..	11
2 Removing the Packing Materials.....	12
3 Checking Items Included with the Machine ..	14
4 Installing the Toner Cartridge.....	15
5 Loading Paper into the Paper Drawer for the First Time.....	15
6 Storing the Envelope Feeder Attachment in a Paper Drawer.....	16
7 Attaching the Precaution Label.....	16
8 Attaching the Glass Cleaning Sheet Storage Box ..	17
9 Connecting Cables	17
10 Turning the Main Power ON.....	18

Chapter 2 Setting and Registering the Machine

Configuring the Machine (Setup Guide)	20
Changing Specified Settings	28

Chapter 3 Before Using This Machine

Parts and Their Functions	30
External View	30
Internal View	31
Feeder	32
Control Panel Parts and Functions	32
Adjusting the Angle of the Control Panel.....	33
Main Power and Energy Saver Key	34
How to Turn ON the Main Power.....	34
Energy Saver Key.....	35
Shutting Down the Machine.....	35
Backing Up/Exporting Data	36
Data You Can Import/Export All	36
Data You Can Import/Export Individually.....	36
Other Data You Can Import/Export/Back Up.....	37

Chapter 4 Routine Maintenance

Loading Paper	40
Loading Paper into a Paper Drawer.....	40
Loading Envelopes.....	43
Checking the Types of Paper That Can Be Used....	43
Replacement Parts	44
Replacing the Staple Cartridge (Staple Finisher-S1)....	45
Replacing the Toner Cartridge.....	46
Replacing the Waste Toner Container.....	49
Replacing the Drum Unit	51
Consumables	54
Recommended Paper	54
Toner.....	54
Drum Unit.....	55
Staple Cartridge.....	55
Genuine Supplies.....	55

Chapter 5 Troubleshooting

Routine Cleaning	58
Originals Cannot Be Scanned Properly	
(Cleaning the Platen Glass).....	59
Scanned Originals Become Dirty	
(Manual Feeder Cleaning)	59
When White Streaks Appear on Prints	
(Cleaning the Dust Proof Glass).....	60
When an Error Message/Error Code Is Displayed ...	62
When an Error Message Is Displayed.....	62
When an Error Code Is Displayed.....	62
Service Call Message	63
Contacting Your Local Authorized Canon Dealer...	64
Setting the Limited Functions Mode from the	
Service Call Message Screen	64
Functions Available When the Printer/Scanner	
Cannot Be Used Due to an Error.....	65
Locations of Staple/Paper Jams	66

Chapter 6 Appendix

Specifications	68
Main Unit.....	68
Feeder	71
Cassette Feeding Unit-AG1.....	71
Cassette Feeding Unit-AH1.....	72
Staple Finisher-S1.....	72
Copy Card Reader-F1	73
FAX Function.....	73
Send Function (Scan Features).....	74
Send Function (E-Mail and I-Fax Features)	75
Network Environment (Hardware Specifications).....	76
Network Environment (Software Specifications)	76
Printer Settings (Software Specifications).....	76

Legal Notices	77
Product Name.....	77
FCC (Federal Communications Commission) Users in the	
U.S.A.....	77
Laser Safety.....	78
International ENERGY STAR Program.....	78
IPv6 Ready Logo	78
Information Security Standard (IEEE 2600)	78
Copyright.....	79
Disclaimers.....	79
Legal Limitations on the Usage of Your Product	
and the Use of Images.....	79
Users in the U.S.A.	80
Users in Canada.....	81
Utilisation au Canada.....	82
Super G3.....	83
Important Safety Instructions	84
Installation.....	84
Power Supply.....	84
Handling.....	85
Maintenance and Inspections.....	86
Consumables.....	87
Telephone Equipment.....	88
Other Warnings.....	88
CANON imageRUNNER ADVANCE C350iF/C250iF	
SERIES LIMITED WARRANTY	89
TERMS OF imageWARE REMOTE SERVICE.....	90
TERMS OF Content Delivery System.....	91

Preface

Thank you for purchasing the Canon imageRUNNER ADVANCE C350iF/C250iF. Please read this manual thoroughly before operating the machine to familiarize yourself with its capabilities, and to make the most of its many functions. For information on the detailed settings for the functions described in this manual, see the e-Manual. After reading this manual, store it in a safe place for future reference.

How To Use This Manual

Symbols Used in This Manual

The following symbols are used in this manual to explain procedures, restrictions, handling precautions, and instructions that should be observed for safety.

WARNING

Indicates a warning concerning operations that may lead to death or injury to persons if not performed correctly. To use the machine safely, always pay attention to these warnings.

CAUTION

Indicates a caution concerning operations that may lead to injury to persons if not performed correctly. To use the machine safely, always pay attention to these cautions.

IMPORTANT

Indicates operational requirements and restrictions. Be sure to read these items carefully to operate the machine correctly, and avoid damage to the machine or property.

NOTE


Indicates a clarification of an operation, or contains additional explanations for a procedure. Reading these notes is highly recommended.



Indicates an operation that must not be performed. Read these items carefully, and make sure not to perform the described operations.

Keys and Buttons Used in This Manual

The following symbols and key/button names are a few examples of how keys and buttons to be clicked or pressed are expressed in this manual:

- Touch Panel Display Keys: [Key Name]
Example: [Cancel]
- Control Panel Keys: Key Icon (Key Name)
Example:  (Start)
- Buttons on Computer Operation Screens: [Button Name]
Example: [OK]

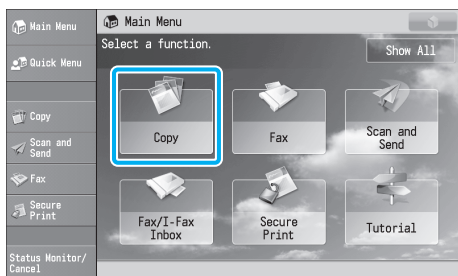
Displays Used in This Manual


Screen shots of the touch panel display used in this manual are those taken when the imageRUNNER ADVANCE C350iF has the following optional equipment attached to it:

- Cassette Feeding Unit-AH1
- Staple Finisher-S1
- Web Access Software

Note that functions that cannot be used depending on the model or options do not appear on the touch panel display.

Keys to Press for Operation



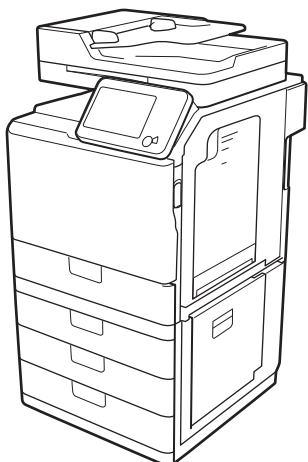
The keys which you should press are marked with a , as shown above. When multiple keys can be pressed on the touch panel display, all keys are marked. Select the keys, which suit your needs.

Screen shots used in this manual may differ from the ones you actually see.

Illustrations Used in This Manual

Illustrations used in this manual are those displayed when the imageRUNNER ADVANCE C350iF has the following optional equipment attached to it:

- Cassette Feeding Unit-AH1



Trademarks

"MEAP" is a trademark of CANON Inc., referring to an "application platform" for Canon multifunction and single function printers.

This product contains the Universal Font Scaling Technology or UFST® under license from Monotype Imaging, Inc. UFST® is a trademark of Monotype Imaging, Inc. registered in the United States Patent and Trademark Office and may be registered in certain jurisdictions.

Apple, EtherTalk, LocalTalk, Mac, Macintosh, Mac OS, and Safari are trademarks of Apple Inc., registered in the U.S. and other countries.

Microsoft, Windows, Windows Vista, Windows Server, Internet Explorer, Excel and PowerPoint are either registered trademarks or trademarks of Microsoft Corporation in the United States and/or other countries.



Adobe® PostScript® 3™

Adobe, PostScript, and the PostScript logo are either registered trademarks or trademarks of Adobe Systems Incorporated in the United States and/or other countries.

Copyright © 2007 -08 Adobe Systems Incorporated. All rights reserved.

Protected by U.S. Patents 5,737,599; 5,781,785; 5,819,301; 5,929,866; 5,943,063; 6,073,148; 6,515,763; 6,639,593; 6,754,382; 7,046,403; 7,213,269; 7,242,415; Patents pending in the U.S. and other countries.

All instances of the name PostScript in the text are references to the PostScript language as defined by Adobe Systems Incorporated unless otherwise stated. The name PostScript also is used as a product trademark for Adobe Systems' implementation of the PostScript language interpreter.

Except as otherwise stated, any reference to a "PostScript printing device," "PostScript display device," or similar item refers to a printing device, display device or item (respectively) that contains PostScript technology created or licensed by Adobe Systems Incorporated and not to devices or items that purport to be merely compatible with the PostScript language.

Adobe, the Adobe logo, PostScript, the PostScript logo, and PostScript 3 are either registered trademarks or trademarks of Adobe Systems Incorporated in the United States and/or other countries.

Linux is a registered trademark of Linus Torvalds. Microsoft and Windows are either registered trademarks or trademarks of Microsoft Corporation in the United States and/or other countries.

All other trademarks are the property of their respective owners.



The PDF logo is a trademark or registered trademark of Adobe Systems Incorporated in the United States and other countries.

Copyright © 2008 Adobe Systems Incorporated. All rights reserved.

Protected by U.S. Patents 6,185,684; 6,205,549; 7,213,269; 7,272,628; 7,278,168; Patents pending in the U.S. and other countries.

All instances of the name PostScript in the text are references to the PostScript language as defined by Adobe Systems Incorporated unless otherwise stated. The name PostScript also is used as a product trademark for Adobe Systems' implementation of the PostScript language interpreter.

Except as otherwise stated, any reference to a "PostScript printing device," "PostScript display device," or similar item refers to a printing device, display device or item (respectively) that contains PostScript technology created or licensed by Adobe Systems Incorporated and not to devices or items that purport to be merely compatible with the PostScript language.

Adobe, the Adobe logo, Adobe LiveCycle® Policy Server, PostScript, the PostScript Logo, and PostScript 3 are either registered trademarks or trademarks of Adobe Systems Incorporated in the United States and/or other countries.

All other trademarks are the property of their respective owners.

Other product and company names herein may be the trademarks of their respective owners.

1

Installation of the Machine

Installation Location and Handling	08
Installation Precautions.....	08
Handling Precautions.....	10
Installing the Machine	11
1 Carrying the Machine to the Installation Site	11
2 Removing the Packing Materials	12
3 Checking Items Included with the Machine	14
4 Installing the Toner Cartridge	15
5 Loading Paper into the Paper Drawer for the First Time	15
6 Storing the Envelope Feeder Attachment in a Paper Drawer	16
7 Attaching the Precaution Label.....	16
8 Attaching the Glass Cleaning Sheet Storage Box.....	17
9 Connecting Cables	17
10 Turning the Main Power ON	18

Installation Location and Handling

This section describes precautions for installation location and handling. We recommend that you read this section prior to using this machine.

Installation Precautions

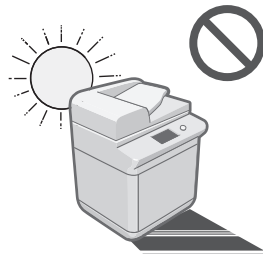
Avoid Installing the Machine in the Following Locations

Avoid locations subject to temperature and humidity extremes, whether low or high.

For example, avoid installing the machine near water faucets, hot water heaters, humidifiers, air conditioners, heaters, or stoves.

Avoid installing the machine in direct sunlight.

If this is unavoidable, use curtains to shade the machine. Be sure that the curtains do not block the machine's ventilation slots or louvers, or interfere with the electrical cord or power supply.



Avoid locations where a considerable amount of dust accumulates./Avoid locations where ammonia gas is emitted./Avoid locations near volatile or flammable materials, such as alcohol or paint thinner.

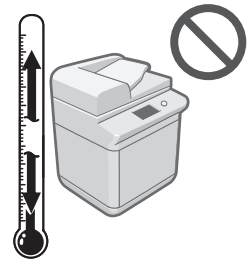


Avoid poorly ventilated locations.

This machine generates a slight amount of ozone etc. during normal use. Although sensitivity to ozone etc. may vary, this amount is not harmful. Ozone etc. may be more noticeable during extended use or long production runs, especially in poorly ventilated rooms. It is recommended that the room be appropriately ventilated, sufficient to maintain a comfortable working environment, in areas of machine operation. In addition, do not install this machine where it exhausts directly onto a person.

Avoid locations that are subject to vibration./ Avoid exposing the machine to rapid changes in temperature.

If the room in which the machine is installed is cold but rapidly heated, water droplets (condensation) may form inside the machine. This may result in a noticeable degradation in the quality of the copied image, the inability to properly scan an original, or the copies having no printed image at all.



Avoid installing the machine near computers or other precision electronic equipment.

Electrical interference and vibrations generated by the machine during printing can adversely affect the operation of such equipment.

Avoid installing the machine near televisions, radios, or similar electronic equipment.

The machine might interfere with sound and picture signal reception.

Insert the power plug into a dedicated power outlet, and maintain as much space as possible between the machine and other electronic equipment.

Contact an authorized Canon dealer if communication is unavailable.

Depending on your locale or your telephone connection, you may be unable to perform data communication. In this case, contact your local authorized Canon dealer.

Avoid installing the machine at high altitudes of about 3,000 meters above sea level, or higher.

Machines with a hard disk may not operate properly when used at high altitudes of about 3,000 meters above sea level, or higher.

Select a Safe Power Supply

- Plug the machine into a 120 V AC outlet.
- Make sure that the power supply for the machine is safe, and has a steady voltage.
- Do not connect other electrical equipment to the same power outlet to which the machine is connected.
- Do not connect the power cord to a multiplug power strip, as this may cause a fire or electrical shock.
- The power cord may become damaged if it is stepped on, affixed with staples, or if heavy objects are placed on it. Continued use of a damaged power cord can lead to an accident, such as a fire or electrical shock.
- The power cord should not be taut, as this may lead to a loose connection and cause overheating, which could result in a fire.
- If excessive stress is applied to the connection part of the power cord, it may damage the power cord or the wires inside the machine may disconnect. This could result in a fire. Avoid the following situations:
 - Connecting and disconnecting the power cord frequently.
 - Tripping over the power cord.
 - The power cord is bent near the connection part, and continuous stress is being applied to the power outlet or the connection part.
 - Applying excessive force on the power plug.

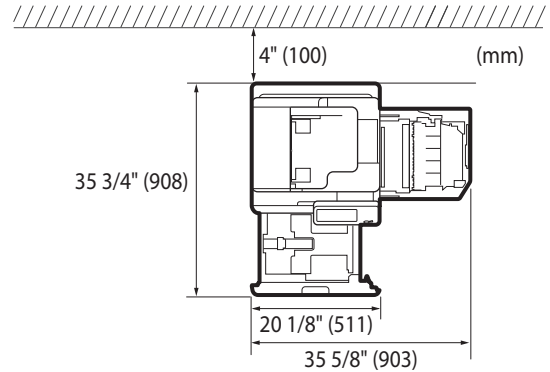
Moving the Machine

If you intend to move the machine, even to a location on the same floor of your building, contact your local authorized Canon dealer beforehand. Do not attempt to move the machine yourself.

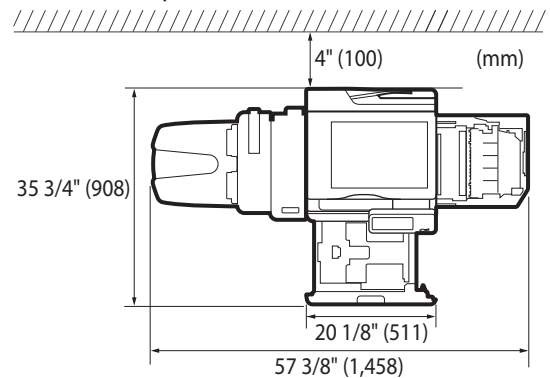
Provide Adequate Installation Space

Provide enough space on each side of the machine for unrestricted operation.

When no optional products are attached:



When the Staple Finisher-S1 is attached:



Handling Precautions

- Do not attempt to disassemble or modify the machine.
- Some parts inside the machine are subject to high-voltages and temperatures. Take adequate precautions when inspecting the inside of the machine. Do not carry out any inspections that are not described in the manuals for this machine.




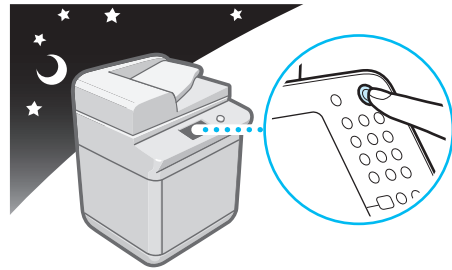
- Be careful not to spill liquid or drop any foreign objects, such as paper clips or staples inside the machine. If a foreign object comes into contact with electrical parts inside the machine, it might cause a short circuit and result in a fire or electrical shock.



- If there is smoke, or unusual noise, immediately turn the main power switch OFF, disconnect the power cord from the power outlet, and then call your local authorized Canon dealer. Using the machine in this state may cause a fire or electrical shock. Also, avoid placing objects around the power plug so that the machine can be disconnected whenever necessary.
- Do not turn the main power switch OFF or open the front covers while the machine is in operation. This may result in paper jams.
- Do not use flammable sprays, such as spray glue, near the machine. There is a danger of ignition.



- For safety reasons, press  (Energy Saver) when it will not be used for a long period of time, such as overnight. As an added safety measure, turn OFF the main power switch, and disconnect the power cord when the machine will not be used for an extended period of time, such as during consecutive holidays.



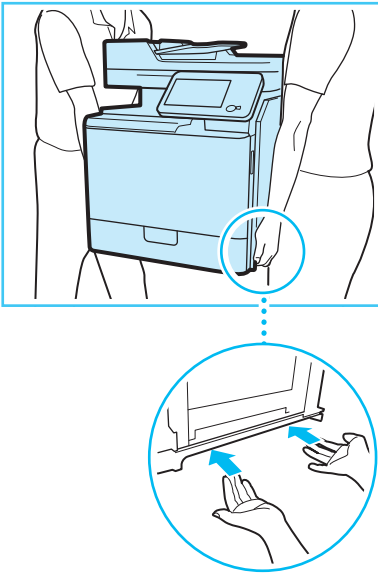
- Use a modular cable that is shorter than 9' 10" (3 meters).
- Use a USB cable that is shorter than 9' 10" (3 meters).

Installing the Machine

This section describes how to install the machine. Make sure that you read this section prior to installing the machine.

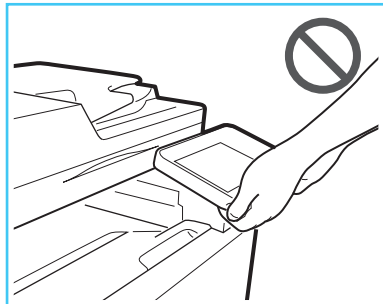
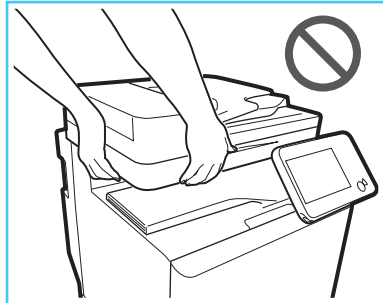
1 Carrying the Machine to the Installation Site

01 Lift the machine with two or more people by gripping the indented area on the sides of the machine, and carry the machine to the installation site.



⚠ CAUTION

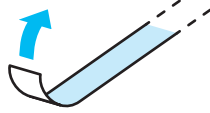
- Make sure to grip the handles on the sides of the machine firmly when lifting. Holding the machine in an unspecified manner may result in personal injury or damage to the machine.



- Those with back pain should check the weight of the machine before lifting.
- Make sure that you do not slip on the bag the machine came in.

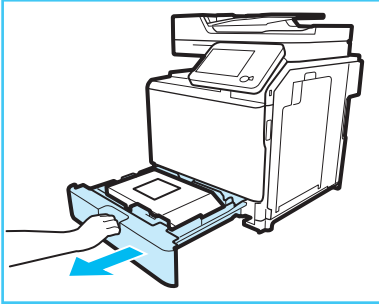
2 Removing the Packing Materials

When performing the following steps, make sure to remove all orange tape attached to the machine.

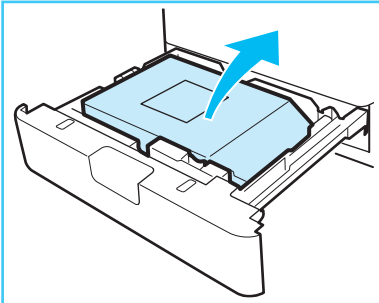


01 Remove the items and packing materials from the paper drawer.

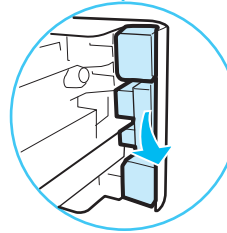
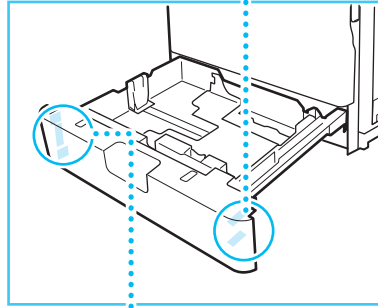
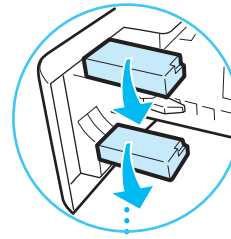
1. Grip the handle, and pull out the paper drawer until it stops.



2. Remove the box containing the included items.



3. Remove the packing materials attached to the paper drawer.

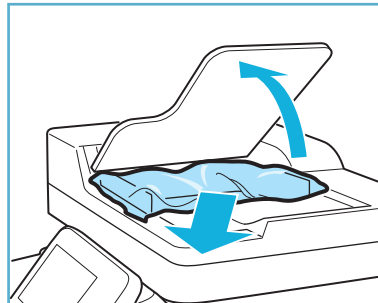


02 Gently push the paper drawer back into the machine.

CAUTION

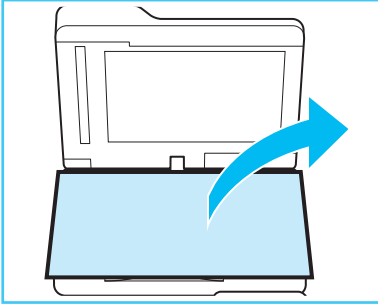
When returning the paper drawer to its original position, be careful not to get your fingers caught, as this may result in personal injury.

03 Lift the feeder tray and remove the Service Book Holder.

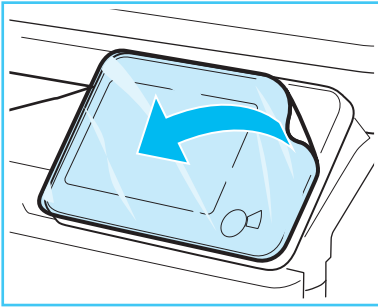


04 Remove the protective sheets attached to each part of the machine.

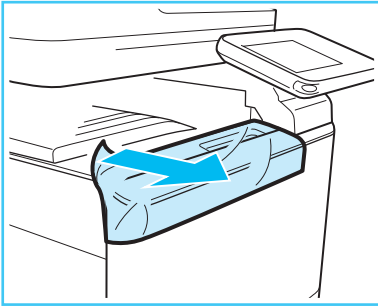
● Platen Glass



● Control Panel



● Upper Part of the Front Cover of the Main Unit



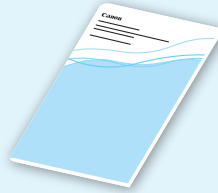
If you own the optional Cassette Feeding Unit-AG1/Cassette Feeding Unit-AH1, carefully read "Attaching the Cassette Feeding Unit to the Machine" and attach it to the machine.

3 Checking Items Included with the Machine

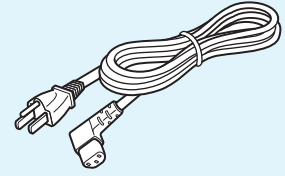
Check each item included with the machine against this list to ensure that nothing is missing.



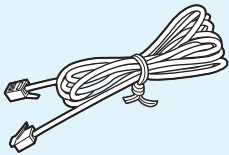
CD-ROM



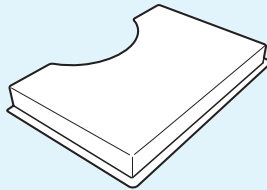
Paper Manual x 2



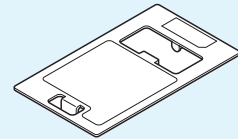
Power Cord



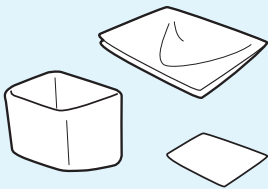
Modular Cable



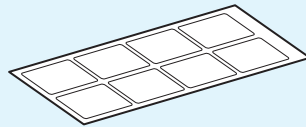
Service Book Holder



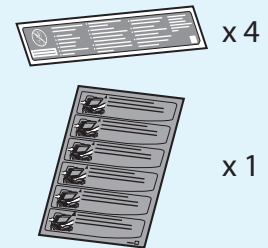
Envelope Feeder Attachment



Glass Cleaning Sheet/Glass Cleaning Sheet Storage Box/
Double-Sided Tape



Paper Size Labels

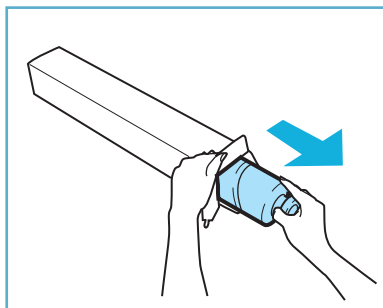


Precaution Labels

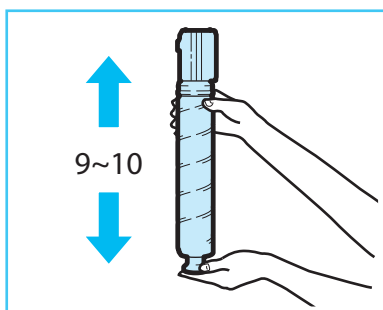
4 Installing the Toner Cartridge

01 Open the front cover of the main unit.

02 Open the package of the toner cartridge, and remove the toner cartridge.

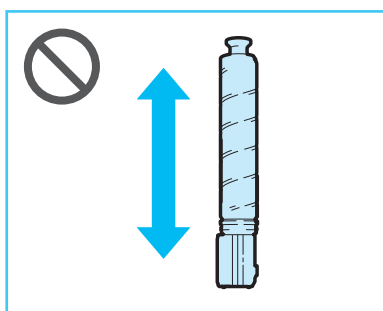


03 Hold the new toner cartridge in both hands as shown in the illustration, and shake it vertically approximately 10 times.

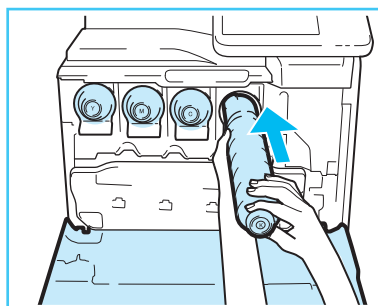


IMPORTANT

Do not shake the toner cartridge in the direction shown in the illustration. Doing so may cause the toner to not output properly.



04 Insert the new toner cartridge.



1. Match the new toner cartridge with the slot on the main unit as shown in the illustration.
2. Push the new toner cartridge in as far as possible.

NOTE

Support the toner cartridge with one hand from underneath while pushing it into the machine with the other hand.

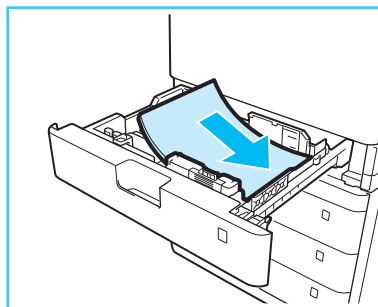
05 Close the front cover of the main unit.

CAUTION

When closing the cover, be careful not to get your fingers caught, as this may result in personal injury.

5 Loading Paper into the Paper Drawer for the First Time

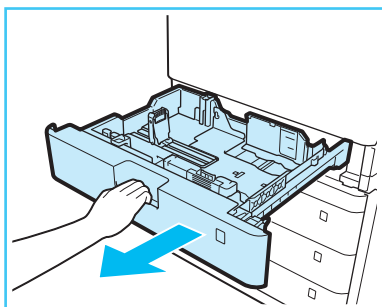
For instructions on loading plain paper into the paper drawer, see "Loading Paper into a Paper Drawer," on p.40.



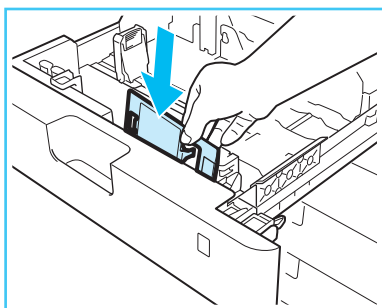
6 Storing the Envelope Feeder Attachment in a Paper Drawer

Use the Envelope Feeder Attachment only when loading envelopes to a paper drawer. When not using the Envelope Feeder Attachment, store it in the storage area of the paper drawer. For instructions on loading envelopes, see e-Manual > Maintenance.

01 Grip the handle, and pull out the paper drawer until it stops.



02 Store the Envelope Feeder Attachment in the storage area of the paper drawer.



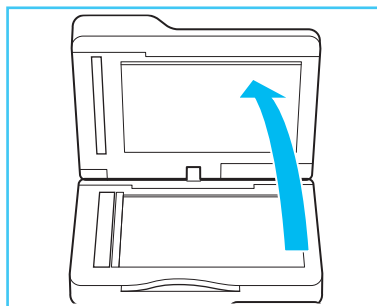
03 Gently push the paper drawer back into the machine.

⚠ CAUTION

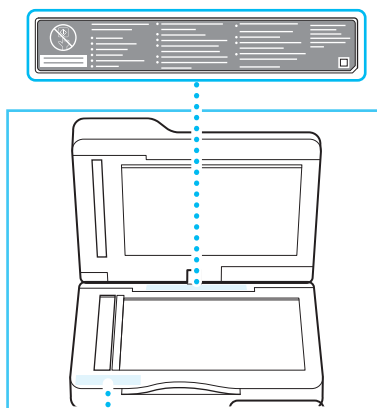
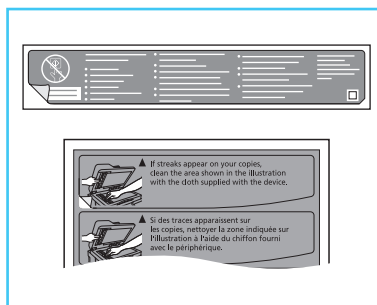
When returning the paper drawer to its original position, be careful not to get your fingers caught, as this may result in personal injury.

7 Attaching the Precaution Label

01 Open the feeder.



02 Select the desired language label among the supplied precaution labels, peel off the label, then affix the label to the part indicated in the illustration.



03 Gently close the feeder.

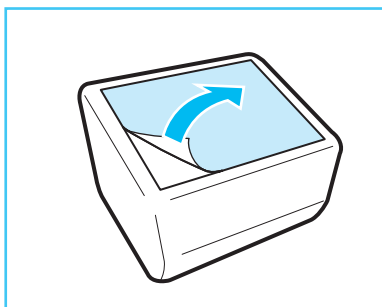
⚠ CAUTION

Close the feeder gently to avoid catching your hands, as this may result in personal injury.

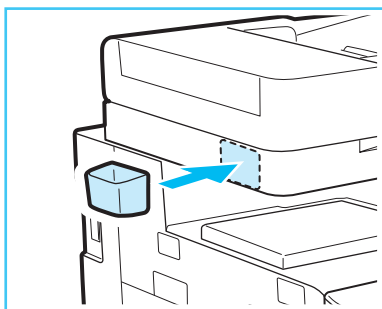
8 Attaching the Glass Cleaning Sheet Storage Box

This section describes how to attach the box for storing sheets for cleaning the platen glass to the machine. It is recommended that you attach the box to the location indicated in the illustration.

01 Attach the double-sided tape onto the glass cleaning sheet storage box, and remove the release liner from the double-sided tape.



02 Attach the box to the machine.

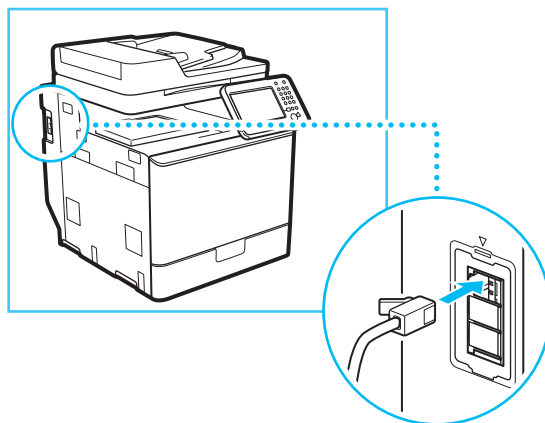


NOTE

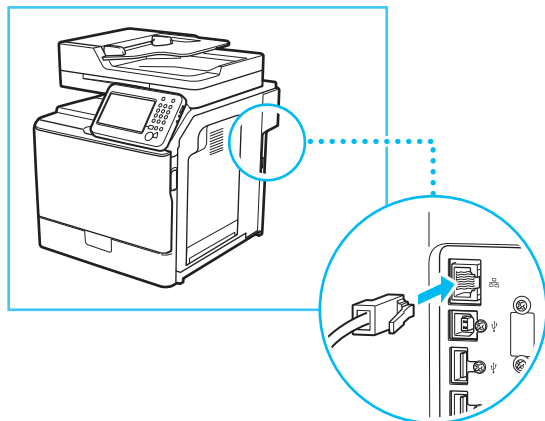
Change the location to attach the box to depending on the attached optional products.

9 Connecting Cables

01 Connect a modular cable into the socket on the back left of the machine.



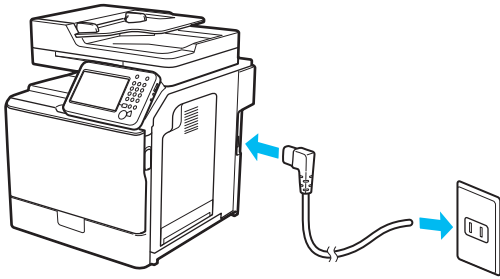
02 Connect a LAN cable into the socket on the back right of the machine.



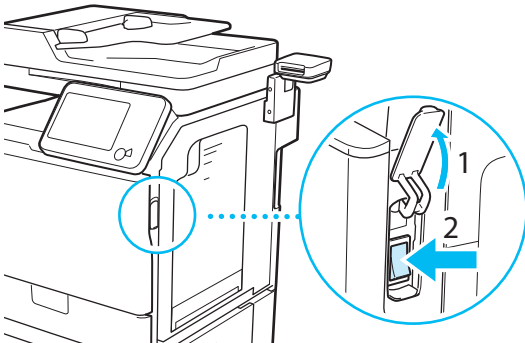
10 Turning the Main Power ON

For Users with the Optional Finisher:
See the installation manual supplied with the optional finisher to attach the finisher to the machine, then connect the power cord.

01 Connect the power cord into the socket on the back right of the machine and to the wall outlet.



02 Turn ON the main power.



The main power indicator on the control panel lights when you turn ON the main power switch.

Various screens appear when system software is loading.

NOTE

For instructions on turning the main power ON and OFF, and on using the Energy Saver key, see "Main Power and Energy Saver Key," on p.34.



Setting and Registering the Machine

Configuring the Machine (Setup Guide)	20
Changing Specified Settings	28

Configuring the Machine (Setup Guide)

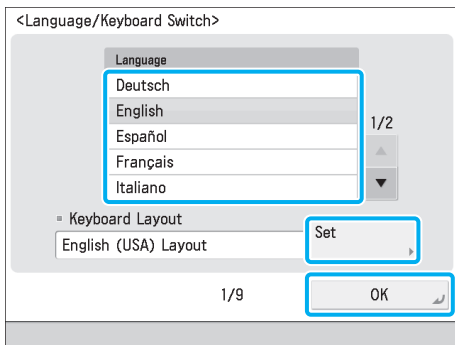
When the power is turned ON for the first time after installing the machine, the Setup Guide screen is displayed. It is recommended that you follow the instructions that appear on the touch panel display to configure the machine.

NOTE

- You cannot exit the Setup Guide until it is finished.
- You can restart the Setup Guide from [Start Setup Guide] (Ⓜ) (Settings/Registration) > [Management Settings] > [License/Other].
- You can change settings registered in the Setup Guide from the items in Ⓜ (Settings/Registration). For more information, see "Changing Specified Settings," on p.28.
- For most settings in the Setup Guide, you can move to the next setting even without entering anything. Unset items can be set separately. You can set them after finishing the Setup Guide.
- If the power is turned OFF while using the Setup Guide, when you turn the power back ON, the Setup Guide is automatically started. Perform Setup Guide settings once again.
- Once the Setup Guide has been completed, it will not start up again when turning ON the machine.

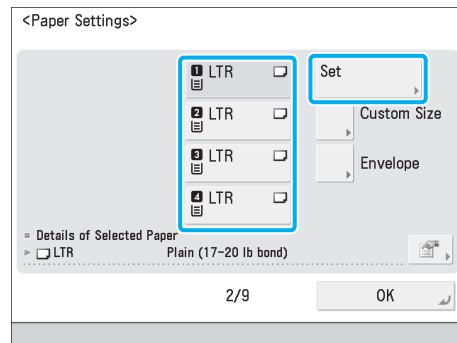
01 Configuring the Touch Panel Display's Language and Keyboard Layout

1. Set the language and keyboard layout → press [OK].

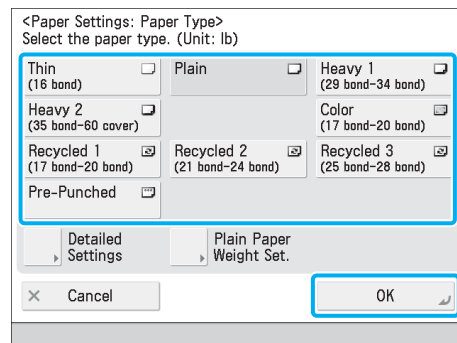


02 Registering the Information of Paper That Was Loaded When Installing the Machine

1. Select the paper source that you want to set the paper type for → press [Set].



2. Select the paper type → press [OK].



If you select [Plain], you can select the paper weight from [Plain Paper Weight Set.].

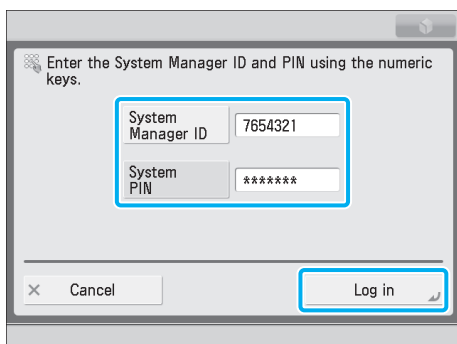
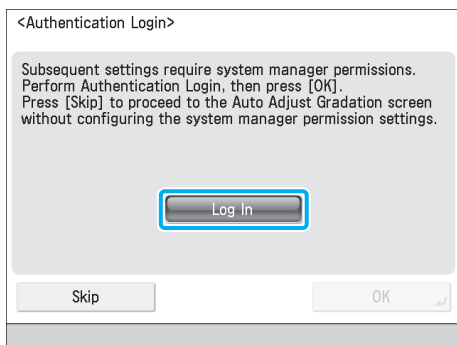
If there is no button for the loaded paper, press [Detailed Settings] → select the paper type from the detailed setting screen.

03 Logging In

In order to continue on with network settings, date/time, and fax settings, it is necessary to log in as an administrator.

To end setting configuration here, press [Skip] and see step 13.



1. Press [Log In] → enter the authentication information → press [Log in] → [OK].

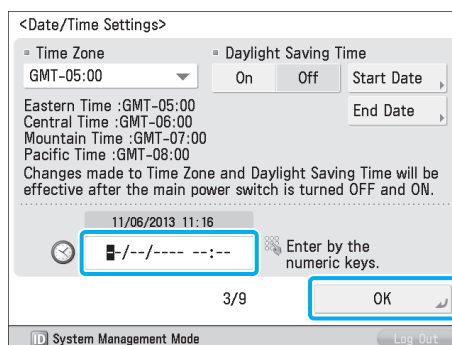


IMPORTANT

The default setting for both the System Manager ID and System PIN is '7654321'. After installing the machine, when logging in for the first time, enter '7654321' for both the System Manager ID and System PIN.

04 Setting the Date and Time

1. Select the time zone from the <Time Zone> drop-down list.
2. Enter the current date and time using  -  (numeric keys) → press [OK].




Enter the day and the month using four digits (including zeros). The time is displayed in 24-hour notation.

Examples:

May 6 → 0506

7:05 a.m. → 0705

11:18 p.m. → 2318

If you make a mistake when entering values, press  (Clear) → enter the values again, starting with the month.

NOTE

- The standard time zones of the world are expressed globally in terms of the difference in hours (\pm up to 12 hours) from GMT (\pm 0 hours). A time zone is a region throughout which this time difference is the same.
- If you set Daylight Saving Time, specify both the starting and ending date in [Start Date] and [End Date]. The machine automatically sets the standard time of the machine one hour forward at the specified date and time.
- The date/time settings can be changed after finishing the Setup Guide. For more information, see e-Manual > Settings/Registration.

05 Setting an IP Address

You can perform the following settings in order to connect to and use a TCP/IP network with the machine. Set IPv4 here.

1. Set <Use IPv4> to 'On' → set <Use IPv6> to 'Off' → press [Next].

<Use IP Address>

- Use IPv4 On Off

- Use IPv6 On Off

Link-Local Address Prefix Length

Could not obtain.

(If On, address will be acquired next time main power is ON.)

4/9

System Management Mode Log Out

2. Specify each setting → press [OK].

- For manual entry:
When the network administrator connects to a network where each machine has a fixed IP assigned to it, the IP address must be set manually.

<IPv4: IP Address Settings>

Enter by the numeric keys.

DHCP

Auto IP

IP Address 192.168.92.128

Subnet Mask 255.255.255.0

Gateway Address 192.168.92.2

Backspace

Back 4/9

System Management Mode Log Out

If you do not know the IP, contact your administrator.

- To enable DHCP:
When connecting to a network where each machine's IP address is automatically assigned to it by DHCP, set <DHCP> to 'On'.

<IPv4: IP Address Settings>

Enter by the numeric keys.

DHCP

Auto IP

IP Address 192.168.92.128

Subnet Mask 255.255.255.0

Gateway Address 192.168.92.2

Backspace

Back 4/9

System Management Mode Log Out

NOTE

By setting <Auto IP> to 'On', you can have the machine automatically search the network (LAN) being used for usable IP addresses and assign one to the machine. This function bypasses the DHCP server to automatically assign IP addresses, however the machine cannot communicate over the router when using this function.

06 Setting the DNS Server

DNS is the abbreviation of Domain Name System, and is the function that binds an IP address and a name (in this machine, host name). By setting the DNS server address for this machine, when accessing this machine through the network, this machine is accessed not by IP address but by a name such as "iR-ADV XXXX."

When using DHCP, the IP address may change, so it is necessary to update IP addresses bound to names. In these cases, it is necessary to configure "Dynamic Update" to update the links between IP addresses and names.

A dynamic DNS server is required to use DNS Dynamic Update.

This section describes how to specify the IPv4 settings.

1. Specify the following settings in <IPv4> → press [Next].

<DNS Server Address Settings>

IPv4

Primary DNS Server: 192.168.92.2 Enter by the numeric keys.

Secondary DNS Server: 0.0.0.0 Backspace

IPv6

Primary DNS Server: []

Secondary DNS Server: []

5/9 **Next**

System Management Mode Log Out

- To enable DNS Dynamic Update:
Enter the DNS server IPv4 address in [Primary DNS Server].
- To disable DNS Dynamic Update:
Enter [Primary DNS Server] and [Secondary DNS Server].

NOTE

Secondary DNS Server:
The substitute DNS server that is used when the primary DNS server cannot be used. If you do not want to set the secondary DNS server, enter '0.0.0.0'. When using DNS Dynamic Update, setting this is not necessary.

2. Enter [Host Name] and [Domain Name] for <IPv4> → press [Next].

<DNS Host/Domain Name Settings>

IPv4

Host Name: Canon000000

Domain Name: []

IPv6

Use Same Host Name/Domain Name as IPv4: On Off

Host Name: Canon000000

Domain Name: []

Back 5/9 **Next**

System Management Mode Log Out

[Host Name]:

The name that appears on the network (the machine's name, etc.)

[Domain Name]:

The network domain that this machine belongs to

3. Specify <DNS Dynamic Update> for <IPv4> → press [OK].

<DNS Dynamic Update Settings>

IPv4

DNS Dynamic Update: On Off

IPv6

DNS Dynamic Update: On Off

Register Stateless Address: On Off

Register Manual Address: On Off

Register Stateful Address: On Off

Back 5/9 **OK**

System Management Mode Log Out

By setting <DNS Dynamic Update> to 'On', DNS Dynamic Update is enabled.

07 Setting the Proxy Server

If accessing the internet or other external network through a proxy server from this machine, these settings are required.

<Proxy Settings>

Use Proxy On Off

Server Address

Port Number Enter by the numeric keys.

Use Proxy within the Same Domain On Off

Set Authentication

6/9 OK

System Management Mode Log Out

[Server Address]:

Enter the IP address of the proxy server or the path of the server (i.e., starfish.company.com).

[Port Number]:

Enter the port number of the proxy server.

<Use Proxy within the Same Domain>:

If using the proxy within the same domain, press [On].

[Set Authentication]:

If authentication is required when accessing an external network through a proxy server, enter the user name and password registered on the server.

<Set Authentication>

Use Proxy Auth. On Off

User Name

Password

Cancel OK

System Management Mode Log Out

[User Name]:

Enter the user name for the proxy authentication.

[Password]:

Enter the password for the proxy authentication.

08 Setting Country/Region

1. Select the country/region where the machine is located → press [Next].

<Country/Region>

Select Country/Region

- Other (Latin America)
- United States (US)
- Canada (CA)
- Brazil (BR)
- Mexico (MX)
- Other Latin American Countries

8/8

7/9 Next

System Management Mode Log Out

NOTE

This setting is necessary to specify the fax line settings. This setting can only be carried out in the Setup Guide.

09 Registering Your Machine's Fax Number

This section describes how to register the fax number your machine uses when sending faxes. This number is printed on the document that you fax to the receiving party.

1. Enter the fax number → press [Next].

<Register Unit Telephone Number>

Enter by numeric keys. (Max 20 digits.)

=012XXXXXX|

Space + Backspace

Back 8/9 Next

System Management Mode Log Out

10 Registering the Unit Name

The unit's name appears on the receiving party's fax machine, or is printed on the received document as the Sender Name. You can register the name of your company or department as the unit name.

1. Press [Set] → enter the unit name → press [Next].

<Register Unit Name>

Set John

Back 7/9 Next

System Management Mode Log Out

11 Setting the Line Type

You can set the phone line type to use for sending.

1. Select the line type → press [OK].

<Select Line Type>

Pulse Tone

Back 7/9 OK

System Management Mode Log Out

12 Specifying the System Manager Information Settings

You can register the System Manager Information settings.

1. Change the authentication information → press [Next] → enter information if necessary → press [OK].

<System Manager Information Settings>

System Manager ID 7654321 Not required if blank
Use the numeric keys.

System PIN ***** Not required if blank

Back 8/9 Next

System Management Mode Log Out



<System Manager Information Settings>

System Manager

E-Mail Address

Contact Information

Comment

Back 8/9 OK

System Management Mode Log Out

IMPORTANT

The default setting for both the System Manager ID and System PIN is '7654321'. Make sure to change these settings.

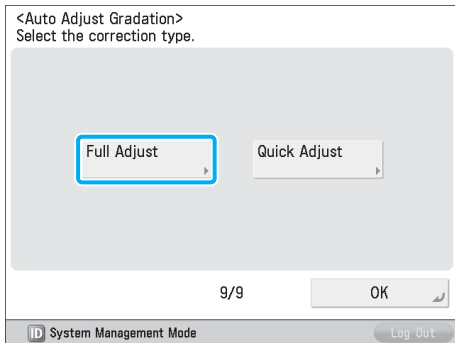
13 Adjusting the Gradation and Density Settings of the Machine

This procedure involves outputting test pages and placing them on the platen glass for scanning. Finishing this procedure enables you to reduce irregularities by automatically adjusting the gradation, density, and color of images printed by the machine. Perform a full adjust.

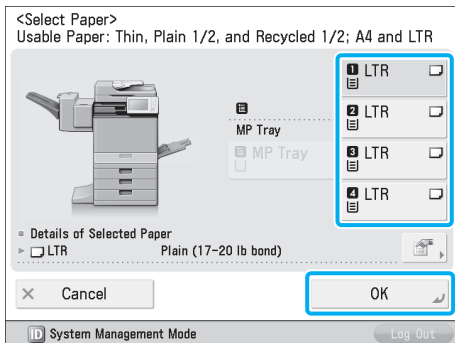
IMPORTANT

- The types of paper, which can be used with [Auto Adjust Gradation] are Thin, Plain 1, Plain 2, Recycled 1, and Recycled 2. Do not use other types of paper.
- It is recommended that you select [Full Adjust] when performing an automatic gradation adjustment. Select [Quick Adjust] for a quick, but less complete adjustment between regular full adjustment recalibrations.
- Make sure that you place the test pages properly. Accurate recalibrations of the gradation, density, and color settings of the machine cannot be made if the test pages are not scanned correctly.
- Two test pages are output by the machine during this adjustment. This machine adjusts the toner and print speed according to the paper type. To make effective adjustments, select the correct paper type.

1. Press [Full Adjust].



2. Select the paper source → press [OK].

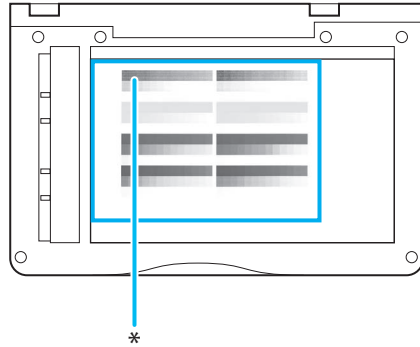


3. Press [Start Printing].

NOTE

If paper appropriate for the test page is not loaded in any paper source, a message asking you to load the appropriate paper appears. Load the appropriate paper in a paper source.

4. Place the test page on the platen glass → press [Start Scanning].



* Place the test page face down on the platen glass, while aligning the corner where the black test patterns are located with the arrow on the top left corner of the platen glass.

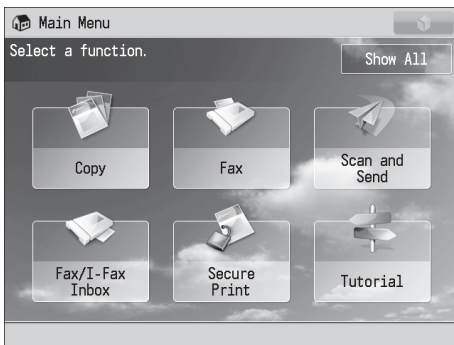
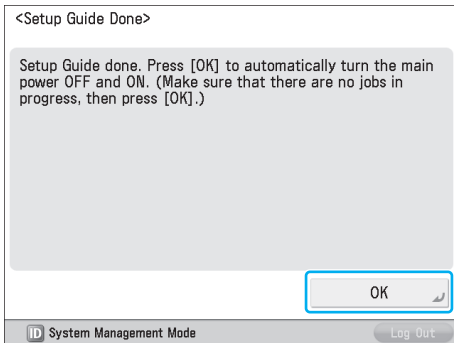
5. Remove the test page from the platen glass → press [Start Printing].

Repeat steps 4 and 5.


14 Closing the Setup Guide

Closing the Setup Guide by pressing [OK] causes the machine to restart.

After the restart, the main menu is displayed and you can use the machine.



Changing Specified Settings

You can change settings registered in the Setup Guide from the items in  (Settings/Registration). From [Start Setup Guide] (Settings/Registration), you can start the Setup Guide and redo all the settings from the beginning. (See e-Manual > Security.) For more information on changing the settings, see the following.

Setting Description	Location in e-Manual
Language, keyboard layout	Settings/Registration > Preferences > Display Settings > Changing the Display Language/Keyboard on the Touch Panel Display
Information on the paper loaded in the paper source	Settings/Registration > Preferences > Paper Settings > Registering the Paper Size and Type for a Paper Source
Date/time	Settings/Registration > Preferences > Timer/Energy Settings > Current Date and Time
Network settings, DNS server settings	When setting IPv4: Network > TCP/IP Network Setup Procedures > Protocol Settings > TCP/IPv4 Settings When setting IPv6: Network > TCP/IP Network Setup Procedures > Protocol Settings > TCP/IPv6 Settings
Proxy Settings	Network > TCP/IP Network Setup Procedures > Protocol Settings > Settings Common to TCP/IPv4 and TCP/IPv6
Fax number of the machine	
Unit name of the machine	Settings/Registration > Function Settings > Send > Specifying the Fax Settings > Fax Line Settings
Telephone line type	
System Manager Settings	Security > Restricting Access by Authentication > Specifying the System Manager Settings
Automatic Gradation Adjustment	Settings/Registration > Adjustment/Maintenance > Adjust Image Quality > Automatic Gradation Adjustment

 **NOTE**

To change [Country/Region], you must change it from [Start Setup Guide] (Settings/Registration).

3

Before Using This Machine

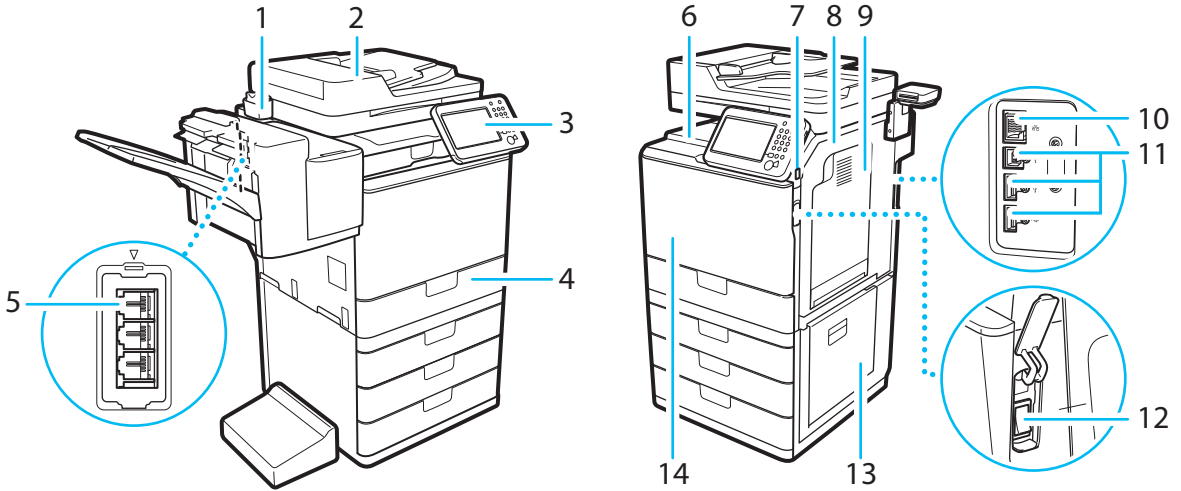
Parts and Their Functions	30
External View	30
Internal View	31
Feeder	32
Control Panel Parts and Functions	32
Main Power and Energy Saver Key	34
How to Turn ON the Main Power	34
Energy Saver Key	35
Shutting Down the Machine	35
Backing Up/Exporting Data	36
Data You Can Import/Export All	36
Data You Can Import/Export Individually	36
Other Data You Can Import/Export/Back Up	37

Parts and Their Functions

This section provides you with the names and functions of all the parts of the machine. For more information on optional products, parts and their functions, see e-Manual > Optional Products/Software.

External View

When the Staple Finisher-S1 and Cassette Feeding Unit-AH1 are attached. When the Copy Card Reader-F1 and Cassette Feeding Unit-AH1 are attached.



1 Glass Cleaning Sheet Storage Box

Use this box to store sheets for cleaning the platen glass.

2 Feeder

Originals placed in the feeder are automatically fed sheet by sheet to the scanning area. The feeder also automatically turns over two-sided originals to make one- or two-sided copies.

3 Control Panel

The control panel includes the keys, touch panel display, and indicators required for operating the machine. (See "Control Panel Parts and Functions," on p.32.)

4 Paper Drawer 1

Holds up to 550 sheets of paper (21 lb bond (80 g/m²)).

5 LINE 1

Use this port to connect a fax line to the machine.

6 Output Tray

Prints are output to this tray if the optional Staple Finisher-S1 is not attached.

7 USB Port (1)

Use the USB port to connect USB memory, external hard disks, and other devices to the machine.

8 Right Cover of the Main Unit

Open this cover when clearing a paper jam inside the main unit. (See e-Manual > Problem Solving.)

9 Multi-Purpose Tray

Use the multi-purpose tray to feed paper manually, and for loading nonstandard paper stock, such as envelopes. (See e-Manual > Basic Operations.)

10 LAN Port

Use an Ethernet cable to connect the machine to a network.

11 USB Port (2)

Use the USB port to connect external hard disks and other devices to the machine. You can also connect the machine to a computer using a USB cable.

12 Main Power Switch

Press to the "I" side to turn ON the machine. (See "Main Power and Energy Saver Key," on p.34.)

13 Right Cover of the Paper Drawer

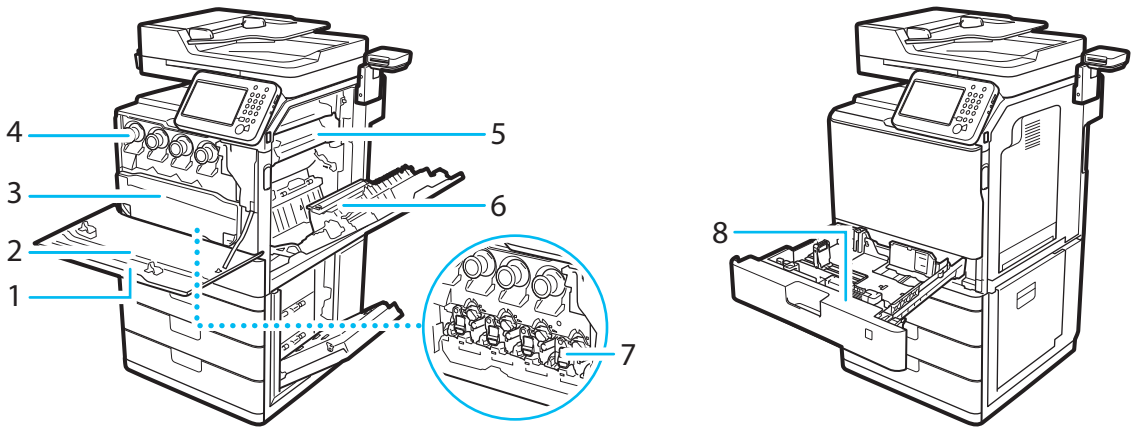
Open this cover when clearing a paper jam. (See e-Manual > Problem Solving.)

14 Toner Code

This code indicates the type of genuine toner that can be used with the machine. Use toner with a code that includes the same letters as the code on the front cover of the machine.

Internal View

When the Copy Card Reader-F1 and Cassette Feeding Unit-AH1 are attached.



1 Front Cover of the Main Unit

Open this cover to replace the toner cartridge, the waste toner container, and the drum unit.

2 Dust Proof Glass Cleaner

Use this cleaner when cleaning the dust proof glass.

3 Waste Toner Container

When the waste toner container becomes full, replace it with a new one. (See "Replacing the Waste Toner Container," on p.49.)

4 Toner Cartridge

When toner runs out, pull out the toner cartridge and replace it with a new one. (See "Consumables," on p.54.)

5 Fixing Assembly

The unit that fixes toner onto paper. If paper is jammed in the fixing assembly, remove the fixing assembly from the machine and then carefully remove the jammed paper.

6 Duplexing Unit

If paper is jammed in the duplexing unit, remove the paper jam. (See e-Manual > Problem Solving.)

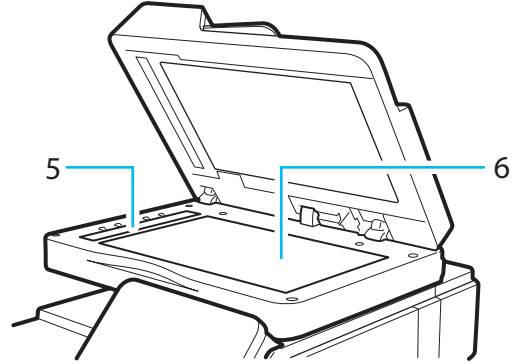
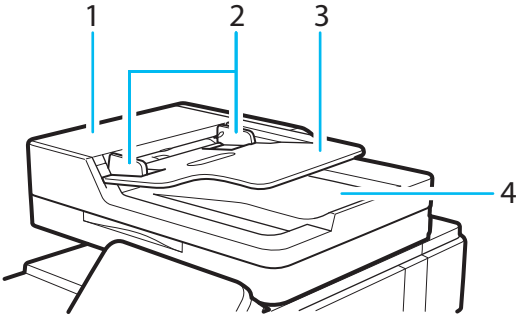
7 Drum Unit

The unit that applies toner to paper during printing. (See e-Manual > Maintenance.)

8 Envelope Feeder Attachment

Use when loading envelopes in a paper drawer. Envelope Feeder Attachment can only be used in Paper Drawer 1. For instructions on attaching the Envelope Feeder Attachment, see e-Manual > Maintenance.

Feeder



1 Feeder Cover

Open this cover to remove jammed paper.

2 Slide Guides

Adjust these guides to match the width of the original.

3 Original Supply Tray

Originals placed here are automatically fed sheet by sheet into the feeder. Place originals into this tray with the surface that you want to scan face up.

4 Original Output Area

Originals that have been scanned from the original supply tray are output into the original output area.

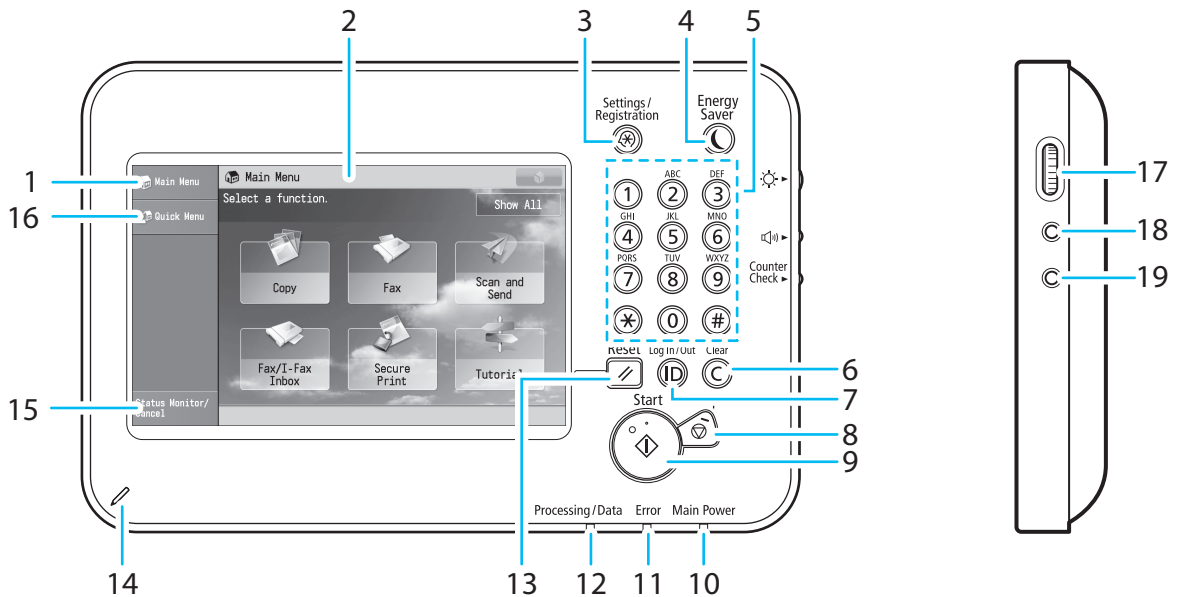
5 Document Feed Scanning Area

Originals placed in the feeder are scanned here.

6 Platen Glass

Place originals here when scanning books, heavyweight originals, transparencies, etc.

Control Panel Parts and Functions



Control Panel Parts and Functions

1 [Main Menu]

Press to display the Main Menu screen. If the Main Menu screen is not displayed when using a function, it is necessary to press [Main Menu] before using the function.

2 Touch Panel Display

The settings screen for each function is shown on this display. Six function keys are displayed by default.

3 Settings/Registration key

Press to specify settings/registration.

4 Energy Saver key

Press to set or cancel the Sleep mode. Lights when the machine enters the Sleep mode. For more information on the Auto Sleep mode, see "Main Power and Energy Saver Key," on p.34.

5 Numeric keys

Press to enter numerical values.

6 Clear key

Press to clear entered values or characters.

7 ID (Log In/Out) key

Press to log in/out when a login service such as Department ID Management or SSO-H has been set.

8 Stop key

Press to stop a job in progress, such as a scan, copy, or fax (scanning only) job.

9 Start key

Press to start an operation.

10 Main Power Indicator

Lights when the main power is turned On.

11 Error Indicator

Flashes or lights if there is an error in the machine. When the Error indicator flashes, follow the instructions that appear on the touch panel display. When the Error indicator maintains a steady red light, contact your local authorized Canon dealer.

12 Processing/Data Indicator

Flashes or blinks green when the machine is performing operations, and maintains a steady green light when fax data is stored in memory.

13 Reset key

Press to restore the standard settings of the machine.

14 Edit Pen

Use when operating the touch panel display, such as to enter characters.

15 [Status Monitor/Cancel]

Press to check the status of jobs or to cancel print jobs. Also, you can check the status of the machine such as the amount of paper remaining in the paper source.

16 [Quick Menu]

Press to display functions registered in the Quick Menu.

17 Brightness Adjustment Dial

Use to adjust the brightness of the touch panel display.

18 Volume Settings key

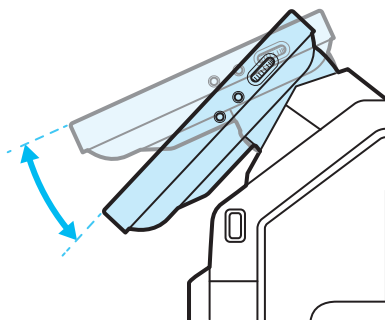
Press to display the screen for adjusting settings, such as the transmission volume and fax sending/receiving alarm volume.

19 Counter Check key

Press to display the copy and print count totals on the touch panel display.

Adjusting the Angle of the Control Panel

The angle of the control panel is adjustable as shown below.



IMPORTANT

Do not apply excess force to the control panel when adjusting its angle.

Main Power and Energy Saver Key

This section describes how to use the main power switch and the Energy Saver key.

How to Turn ON the Main Power

Make sure that the power plug is firmly inserted into the power outlet.

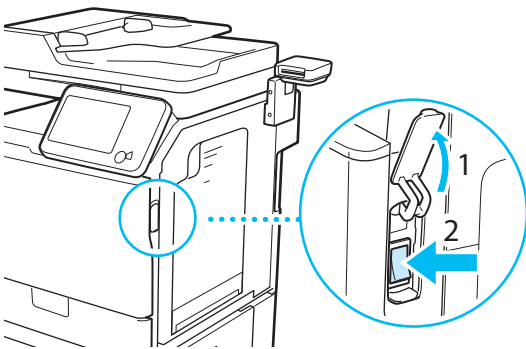
WARNING

Do not connect or disconnect the power cord with wet hands, as this may result in electrical shock.

IMPORTANT

If you want to turn OFF the main power and then back ON again, wait for at least 10 seconds after the main power indicator is turned OFF before turning ON the main power. However, when [Quick Startup Settings for Main Power] is enabled, if you do not wait more than 20 seconds after the main power indicator is turned OFF, quick startup is not performed.

01 Press the switch to the "I" side to turn the main power ON.



The main power indicator on the control panel lights when you turn ON the main power switch.


Various screens appear when system software is loading.

If you are using a login service, log in using the procedure for the login service you are using.


NOTE

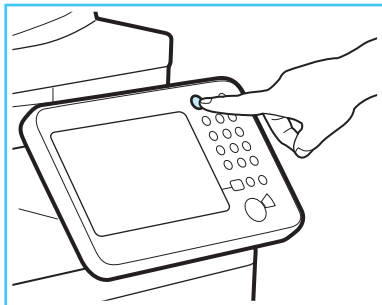
- You can change the default display that appears after the machine is turned ON from [Default Screen after Startup/Restoration] on the Settings/Registration screen. (See e-Manual > Settings/Registration.)
- If this machine is connected to a powered off Macintosh computer by USB cable, the computer may turn on automatically when this machine does. In this case, disconnect the USB cable from the machine. You may also be able to solve this problem by using a USB hub between the machine and the Macintosh.
- The response of the buttons and keys may not be optimal immediately after you turn ON the main power of the machine.
- If you set [Quick Startup Settings for Main Power] to 'On' in [Preferences] (Settings/Registration), the tone sounds when turning ON the main power of the machine. (Depending on the situations, the machine does not startup quickly and the tone does not sound.)
- Depending on the conditions under which the machine is being used, the machine may not startup quickly if you set [Quick Startup Settings for Main Power] to 'On'. For more information, see e-Manual > Settings/Registration.
- If you are using Department ID Management with the Copy Card Reader-F1, see e-Manual > Optional Products/Software.
- If you are using Department ID Management, see e-Manual > Basic Operations.
- If you are using SSO-H, see e-Manual > Basic Operations.

Energy Saver Key

You can press  (Energy Saver) to make the machine enter the Sleep mode and reduce power consumption.

If the machine is idle for a certain period of time, the machine will enter the Auto Sleep mode to minimize energy consumption.

Press  (Energy Saver) to cancel the Sleep mode and resume normal machine operations.



NOTE

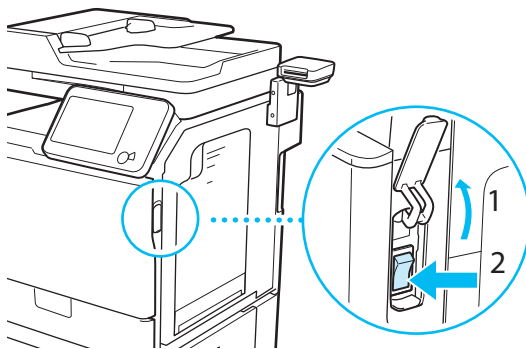
The machine can receive and print documents from a personal computer when it is in the Sleep mode. I-fax and fax documents can also be received while the machine is in the Sleep mode.

Shutting Down the Machine

This machine performs a procedure to protect the memory when the machine is shut down.

This enables the machine to be shut down safely, even if there are any jobs being processed, or a MEAP application is running while the machine is shutting down.

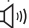
01 Press the switch to the "⏻" side to turn the main power OFF.



IMPORTANT

- Do not turn the main power OFF while using the Fax/I-Fax function. Sending or receiving I-fax or fax documents cannot be done when the main power is turned OFF.
- The machine may take some time to completely shutdown. Do not unplug the power cord until the main power indicator of the machine is OFF.
- If the main power is turned OFF during scanning or printing, a paper jam may occur.

NOTE

- If [Quick Startup Settings for Main Power] in [Preferences] (Settings/Registration) and [Sleep Mode Alert], which appears when you press  on the control panel, are both set to 'On', the tone sounds when turning OFF the main power of the machine. (Depending on the situations, the machine does not startup quickly and the tone does not sound.)
- You can shut down the machine from the Remote UI using the Remote Shutdown mode. For more information, see e-Manual > Remote UI.

Backing Up/Exporting Data

Various data such as the received data, address book, and Settings/Registration settings are stored on the hard disk of the machine. A malfunction in the hard disk may cause these data to be lost. Please regularly back up/export your important data. Please note that Canon will not be held responsible for any damages caused by the loss of data. You can backup/export data in the following ways:

- Import/Export All
- Import/Export Individually

Data you can back up/export are described below.

Data You Can Import/Export All

You can save/load multiple items at once. In addition, you can exchange data with this machine and other machines which support the Import/Export All function.

IMPORTANT

You cannot use the Import All function, depending on the recipient's machine model. For more information, contact your local authorized Canon dealer.

Data	References
Settings/Registration Basic Information	e-Manual > Remote UI
Paper Type Management Settings	
Forwarding Settings	
Box Settings	
Department ID Management Settings	
Main Menu Settings	
Web Access Settings	
Favorite Settings	
Address Book	
Quick Menu Settings	
MEAP Application Setting Information	
User Setting Information	

Data You Can Import/Export Individually

You can save/load data individually. In addition, you can exchange data with this machine and other machines which do not support the Import/Export All function.

Data	References
Address Lists	e-Manual > Remote UI
Device Settings (Forwarding Settings, Address Book, Send Function Favorite Settings)	
Printer Settings	
Paper Information	e-Manual > Web Access
Web Access Favorites	

Other Data You Can Import/Export/Back Up

You can exchange data with this machine and other machines which do not support the Import/Export All function.

Data		References
Quick Menu Information		e-Manual > Quick Menu
Data Relating to MEAP	License files for MEAP applications	e-Manual > MEAP
	Data saved from MEAP applications* ¹	Instruction manuals for each MEAP application
	User authentication information registered for the Local Device Authentication system of SSO-H (Single Sign-On H)	e-Manual > MEAP

*1 You may be able to back up data stored by MEAP applications, depending on the application.

NOTE

- The passwords and PIN are backed up at the same time. However, some of the passwords may not be backed up, depending on the type of the password.
- If your machine is not connected to a network, it is recommended that you print and store important information such as the Address Book. (See e-Manual > Basic Operations.)

4

Routine Maintenance

Loading Paper	40
Loading Paper into a Paper Drawer	40
Loading Envelopes	43
Checking the Types of Paper That Can Be Used.....	43
Replacement Parts	44
Replacing the Staple Cartridge (Staple Finisher-S1).....	45
Replacing the Toner Cartridge	46
Replacing the Waste Toner Container	49
Replacing the Drum Unit.....	51
Consumables	54
Recommended Paper.....	54
Toner.....	54
Drum Unit.....	55
Staple Cartridge.....	55
Genuine Supplies	55

Loading Paper

If the selected paper runs out, or the selected paper drawer runs out of paper during printing, a screen prompting you to load paper appears on the touch panel display.

CAUTION

When handling paper, take care not to cut your hands on the edges of the paper.

Loading Paper into a Paper Drawer

When loading paper into the paper drawer for the first time, or when a message is displayed on the touch panel display prompting you to load paper, follow the procedure below.

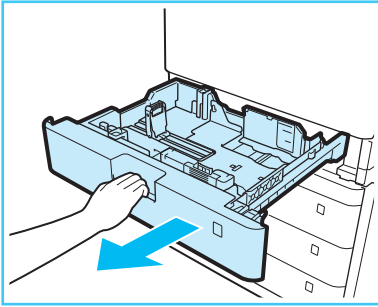
IMPORTANT

- A screen prompting you to load paper also appears if the paper drawer is not fully inserted into the machine. Make sure that the paper drawer is properly in place.
- Do not load the following types of paper into the paper drawers. Doing so may cause a paper jam.
 - Severely curled or wrinkled paper
 - Thin straw paper
 - Paper which has been printed on using a thermal transfer printer
 - The reverse side of paper which has been printed on using a thermal transfer printer
- Fan the stack of paper well before loading it. Paper such as thin paper, recycled paper, pre-punched paper, and heavy paper should be fanned particularly well before loading it.
- Never place paper or any other items in the empty part of the drawer next to the paper stack. Doing so may cause paper jams.
- When you are printing in the Staple mode, do not remove the output sheets that are waiting to be stapled. (Printing and stapling resume after you clear the paper jam.)

NOTE

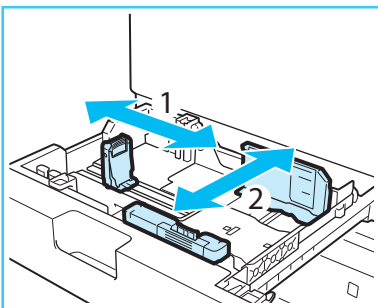
- Register the size and type of the loaded paper in [Paper Settings] in [Preferences] (Settings/Registration).
- You can use custom paper sizes. (See e-Manual > Settings/Registrations.)
- You can name, register, and edit custom paper types. (See e-Manual > Settings/Registrations.)
- For information on paper that can be loaded, see e-Manual > Basic Operations.
- Paper Drawer 2 can be used if the optional Cassette Feeding Unit-AG1 or the Cassette Feeding Unit-AH1 is attached.
- Paper Drawers 3 and 4 can be used if the optional Cassette Feeding Unit-AH1 is attached.
- If a message prompting you to load paper appears while printing, the remaining prints are automatically made after you load the correct paper. If you select a different paper drawer, the remaining prints are made after you press [OK].
- Press [Cancel] to cancel printing.

01 Grip the handle, and pull out the paper drawer until it stops.



02 When loading paper into the paper drawer for the first time, or when changing the paper size, adjust the position of the paper drawer guides.

1. Slide the left guide while squeezing it on the top to align it with the mark for the desired paper size.
2. Slide the front guide while squeezing it on the top to align it with the mark for the desired paper size.



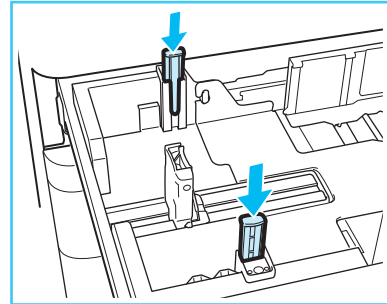
IMPORTANT

Slide the guides until they click into place. If the left guide and front guide are not aligned correctly, the paper size will not correctly appear on the touch panel display. It is also necessary to adjust the guides correctly to avoid causing a paper jam, dirty prints, or making the inside of the machine dirty.

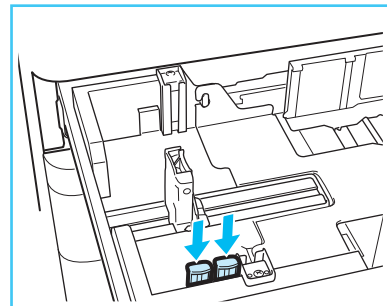
NOTE

When using inch paper, remove the A4 Feeder Attachments attached to the paper drawer and store them in the storage space. When using A or B series paper, make sure to attach the A4 Feeder Attachments to the paper drawer. And then, select the paper series that you are going to use in [Paper Size Group for Auto Recog. in Drawer] (Settings/Registration). (See e-Manual > Settings/Registration.)

● A4

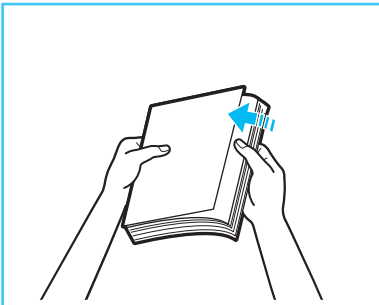
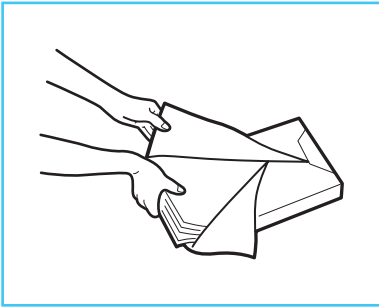


● LTR/LGL



03 Prepare the paper to load.

Open the packaging for the paper and remove the paper stack.

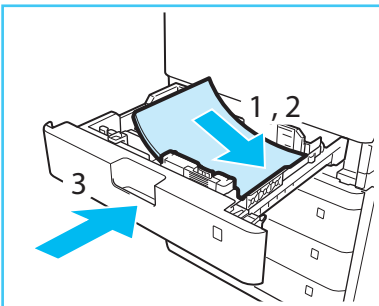


NOTE

- For high-quality printouts, use paper recommended by Canon.
- Before loading paper, always fan the sheets several times, and align the edges to facilitate feeding.

04 Load the paper stack into the paper drawer.



1. Make sure that the paper size setting of the paper drawer matches the size of the paper to load in the paper drawer.
2. Load the paper stack against the right wall of the paper drawer.
3. Gently push the paper drawer back into the machine.



CAUTION

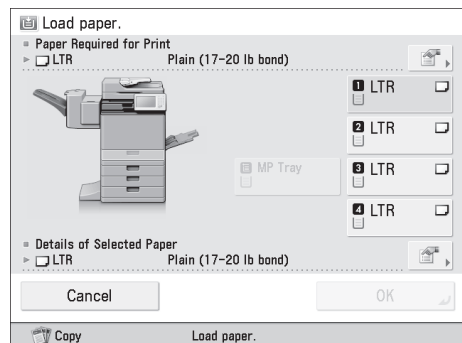
When returning the paper drawer to its original position, be careful not to get your fingers caught, as this may result in personal injury.

IMPORTANT

- Paper which is curled must be straightened out before loading it into the paper drawer.
- You will not be able to make copies or print if you load paper that exceeds the loading limit mark (), or if the paper drawer is not completely pushed into the machine.
- Make sure that the height of the paper stack does not exceed the loading limit mark ().
- Always check that the paper drawers are in place.

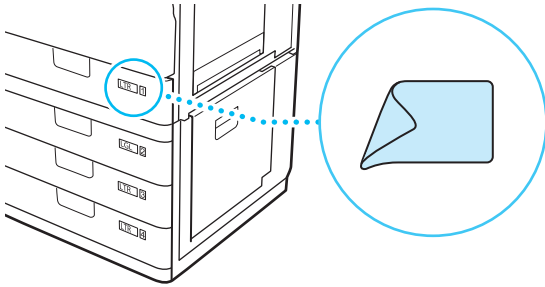
NOTE

- Each paper drawer holds up to 550 sheets of paper (21 lb bond (80 g/m²)) or 640 sheets of paper (17 lb bond (64 g/m²)).
- If there are instructions on the paper package about which side of the paper to load, follow those instructions.
- When the paper is loaded into the paper drawer, the side facing up is the one printed on.
- If problems, such as poor print quality or paper jams occur, try turning the paper stack over and reloading it.
- Rewrap any remaining paper in its original package, and store it in a dry place, away from direct sunlight.
- If paper runs out and printing is stopped, load a new paper stack. Printing restarts after the new paper stack is loaded.



- If you print on the paper which has absorbed moisture, steam may come out from the output area of the machine. This is because the moist on the paper evaporates when the high temperature is applied when a toner is fixed to the paper. It is not a malfunction. (This especially happens in low room temperature.)

05 When loading paper into the paper drawer for the first time, or when changing the paper size, attach a paper size label to the paper drawer.



When not loading envelopes to a paper drawer, store the Envelope Feeder Attachment in the storage area of the paper drawer. For information on storing the Envelope Feeder Attachment, see "6 Storing the Envelope Feeder Attachment in a Paper Drawer," on p.16.

 **IMPORTANT**

The paper size labels included with the machine contain paper sizes not supported by the machine.

06 If the paper has been changed, register the size and type of the loaded paper.

Register the size and type of paper you loaded in the paper drawer in [Paper Settings] in [Preferences] (Settings/Registration). For more information, see e-Manual > Settings/Registration.

Loading Envelopes

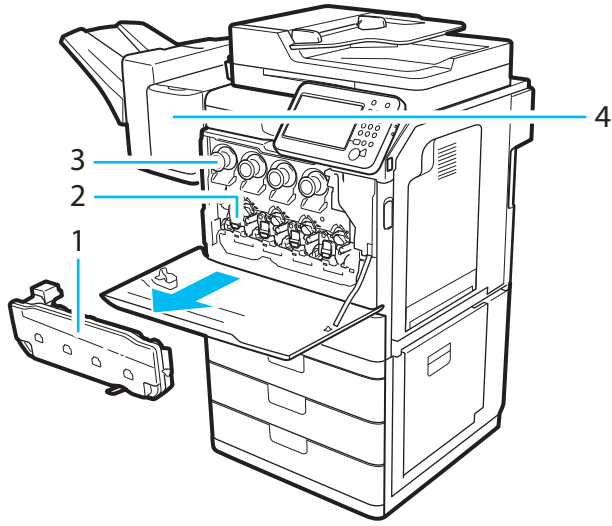
If you are loading envelopes, the Envelope Feeder Attachment that comes with the paper drawer must be attached. For instructions on loading envelopes, see e-Manual > Maintenance.

Checking the Types of Paper That Can Be Used

For more information on the types of paper you can use, see e-Manual > Basic Operations.

Replacement Parts

This section describes those parts that require replacement and their model numbers. Use a replacement part after checking its model number.



1 Waste Toner Container
Model Number: WT-201

2 Drum Unit
Model Number:
Canon GPR-51 Drum Unit Black
Canon GPR-51 Drum Unit Cyan
Canon GPR-51 Drum Unit Magenta
Canon GPR-51 Drum Unit Yellow

3 Toner Container
Model Number:
Canon GPR-51 Toner Black
Canon GPR-51 Toner Cyan
Canon GPR-51 Toner Magenta
Canon GPR-51 Toner Yellow

4 Staple Cartridge
Model Number: Staple-P1

For instructions on replacing parts 1, 2, 3, and 4, see the following page.

Replacing the Staple Cartridge

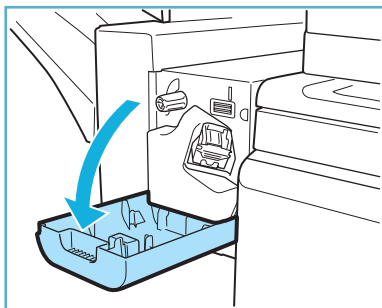
(Staple Finisher-S1)

This section describes how to replace the staple case and staple cartridge in the stapler unit. When the Staple Finisher-S1 is almost out of staples and the staple cartridge must be replaced, a screen prompting you to replace the staple cartridge appears on the touch panel display. Follow the procedure described below to replace the staple cartridge.

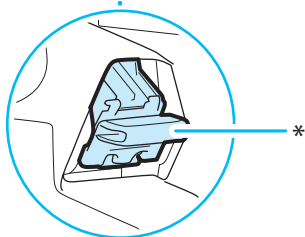
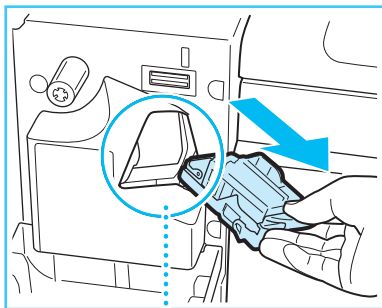
NOTE

- The Staple Finisher-S1 is an optional product.
- We recommend that you order staple cartridges from your local authorized Canon dealer before your stock runs out.
- Use only staple cases intended for use with this machine.

01 Open the front cover of the finisher.

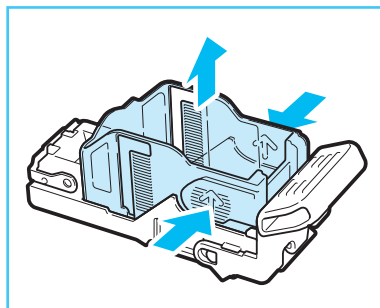


02 Grasp the staple case by the green tab to pull it out from the stapler unit.



* Staple Case

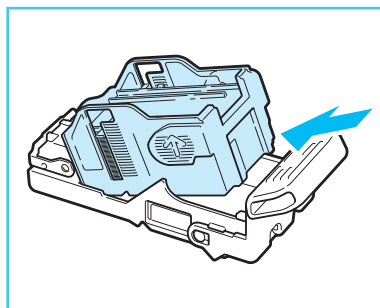
03 Squeeze and lift the empty staple cartridge by its sides marked with arrows to remove it from the staple case.



NOTE

You can lift the staple cartridge only when no staples are left inside the cartridge.

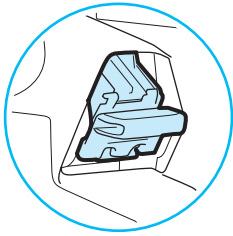
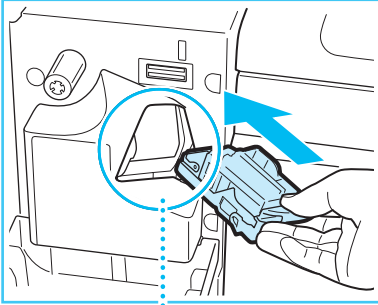
04 Insert a new staple cartridge into the staple case.



IMPORTANT

- Use only staple cartridges designed for use with this machine. (See "Consumables," on p.54.)
- Only one staple cartridge can be inserted at a time.

05 Return the staple case to its original position in the stapler unit.



06 Close the front cover of the finisher.

CAUTION

When closing the front cover of the finisher, be careful not to get your fingers caught, as this may result in personal injury.

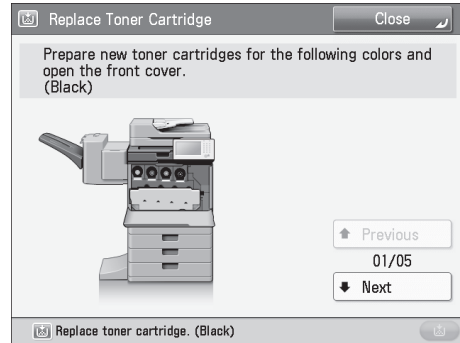
NOTE

After the cover is closed, the stapler unit may automatically perform a "dry" stapling operation to reposition the staples.

Replacing the Toner Cartridge

When the Black toner or all of the toners run out completely and prints can no longer be made, a screen with instructions on how to replace the toner cartridge appears on the touch panel display. Follow the procedure described below to replace the toner cartridge.

If you press [Close], you can continue operations, such as setting modes and scanning originals, even if you do not replace the toner cartridge immediately.



WARNING

- Do not burn or throw used toner cartridges into open flames, as this may cause the toner to ignite, resulting in burns or a fire.
- If you accidentally spill or scatter toner, carefully wipe up the loose toner with a damp, soft cloth and avoid inhaling any toner dust. Do not use a vacuum cleaner that is not equipped with safety measures to prevent dust explosions to clean up loose toner. Doing so may cause damage to the vacuum cleaner or result in a dust explosion due to static discharge.

CAUTION

- Keep toner out of the reach of small children.
- If toner is ingested, consult a physician immediately.
- If toner gets onto your hands or clothing, wash it off immediately with cold water. Washing it off with warm water will set the toner, and make it impossible to remove the toner stains.

IMPORTANT

- Use only toner cartridges intended for use with this machine.
- For information on the supported Canon genuine toner, see "Replacement Parts," on p.44.
- Do not replace toner cartridges until the message prompting you to do so appears.
- Do not attempt to replace the toner cartridge while the machine is printing.
- The color of the toner to be replaced is displayed on the touch panel display. If multiple toner cartridges must be replaced, replace the toner cartridges in the following order: Black, Yellow Magenta, Cyan.
- If you continue copying or printing in black-and-white after cyan, magenta, or yellow toner runs out, do not remove the depleted toner cartridges from the machine.
- You can set the machine to display a message indicating that the remaining toner is low. (See e-Manual > Settings/Registrations.)

NOTE

- Complete instructions on how to replace the toner cartridge can be accessed by pressing [Previous] or [Next] on the touch panel display.
- If toner runs out during a print job, the remaining prints are made after you replace the toner cartridge.
- If black toner is left, you can continue copying and printing in black-and-white.
- After replacing toner cartridges, if printed colors are different from the colors printed before you replaced the toner cartridges, perform [Auto Adjust Gradation] in [Adjustment/Maintenance]. (See e-Manual > Settings/Registrations.)

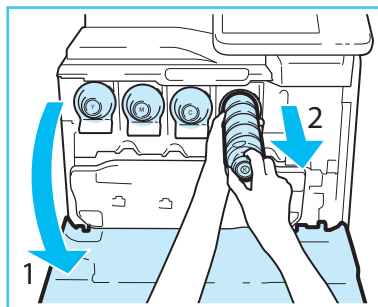
01 Press .

NOTE

If the Black toner or all of the toners run out, this step is not necessary.

02 Remove the toner cartridge of the displayed color.

1. Open the front cover of the main unit.
2. Pull out the toner cartridge to replace.



Pull the toner cartridge out halfway, and then remove it completely while supporting it and keeping it straight with your other hand from underneath.

WARNING

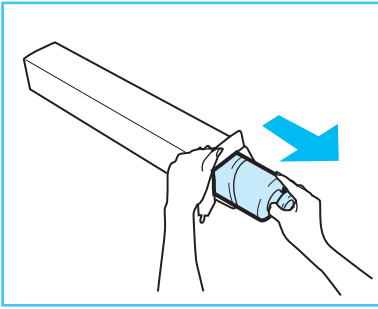
Do not burn or throw used toner cartridges into open flames, as this may cause the toner remaining inside the cartridges to ignite, resulting in burns or a fire.

IMPORTANT

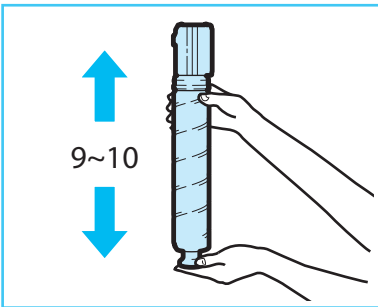
Do not subject the toner cartridge to shock or hit it. Doing so may cause the toner cartridge to leak.

03 Prepare the new toner cartridge.

1. Open the package of the toner cartridge, and remove the toner cartridge.

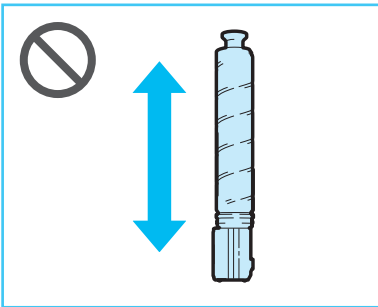


2. Hold the new toner cartridge in both hands as shown in the illustration, and shake it vertically approximately 10 times.



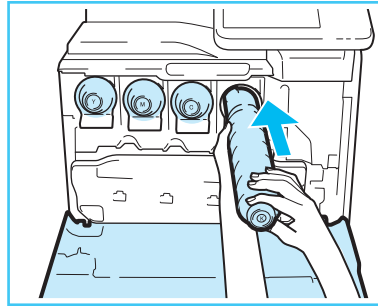
IMPORTANT

Do not shake the toner cartridge in the direction shown in the illustration. Doing so may cause the toner to not output properly.



04 Insert the new toner cartridge.

1. Match the new toner cartridge with the slot on the main unit as shown in the illustration.
2. Push the new toner cartridge in as far as possible.



NOTE

Support the new toner cartridge with your hand from underneath while pushing it into the machine with your other hand.

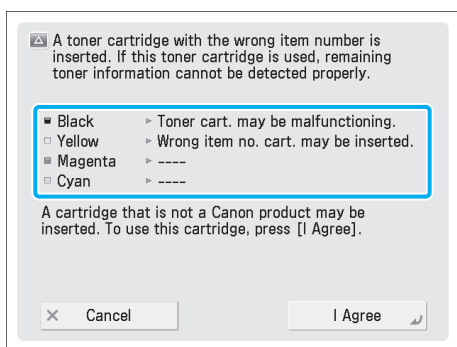
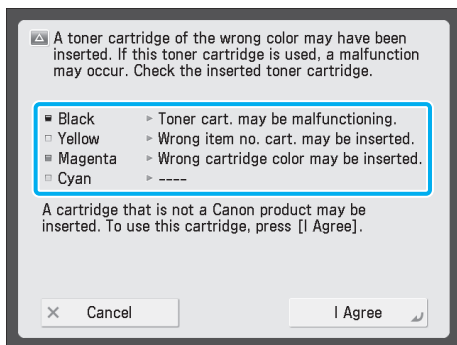
05 Close the front cover of the main unit.

CAUTION

When closing the cover, be careful not to get your fingers caught, as this may result in personal injury.

If the Following Screen Is Displayed after Replacing the Toner Cartridge

After replacing the toner cartridge, the following screen may appear.



The status of each of the toner cartridges attached to the machine is displayed in the enclosed area of the screen, shown above.

Message	Status
Wrong cartridge color may be inserted.	A toner cartridge of the wrong color is inserted.
Wrong item no. cart. may be inserted.	A toner cartridge with the wrong model number is inserted.
Toner cart. may be malfunctioning.	The inserted toner cartridge may have been damaged.
----	The correct toner cartridge is inserted.

To continue using the toner cartridge, press [I Agree]. If you select this option, the operation of the machine is not guaranteed.

To replace the toner cartridge, press [Cancel].

If you are not sure about the remedies, contact your local authorized Canon dealer from which you purchased the toner cartridge.

Replacing the Waste Toner Container

When the waste toner container nears capacity, a message appears on the touch panel display. In this case, you should prepare a new waste toner container.

Even if you do not replace the waste toner container immediately, you can perform printing for a while. The number of prints you can make depends on the content you print.

When the waste toner container is full, a screen with instructions on how to replace the waste toner container appears on the touch panel display. Follow the procedure described below to replace the waste toner container.

WARNING

- Do not burn or throw used waste toner containers into open flames. Also, do not store waste toner containers in places exposed to open flames, as this may cause the toner to ignite, resulting in burns or a fire.
- If you accidentally spill or scatter toner, carefully wipe up the loose toner with a damp, soft cloth and avoid inhaling any toner dust. Do not use a vacuum cleaner that is not equipped with safety measures to prevent dust explosions to clean up loose toner. Doing so may cause damage to the vacuum cleaner or result in a dust explosion due to static discharge.

CAUTION

- If toner is ingested, consult a physician immediately.
- If toner gets onto your hands or clothing, wash it off immediately with cold water. Washing it off with warm water will set the toner, and make it impossible to remove the toner stains.

IMPORTANT

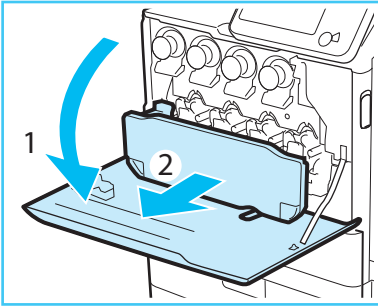
- Your local authorized Canon dealer will dispose of used waste toner containers.
- Used toner cannot be reused. Do not mix new and used toner together.
- Use only waste toner containers intended for use with this machine.
- Do not replace the waste toner container before the message prompting you to replace it appears on the touch panel display.

NOTE

- Complete instructions on how to replace the waste toner container can be accessed by pressing [Previous] or [Next] on the touch panel display.
- If the waste toner container must be replaced during a print job, the remaining prints are made after the new waste toner container is installed.

01 Remove the waste toner container.

1. Open the front cover of the main unit.
2. Pull out the waste toner container.

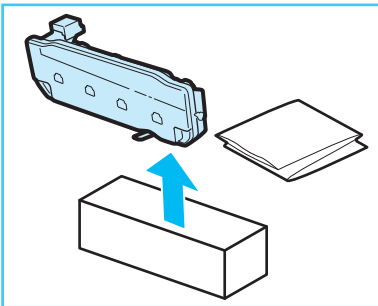


CAUTION

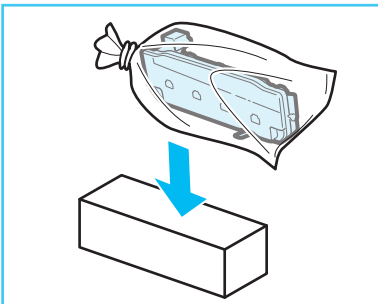
When removing the waste toner container, do not tilt it. If you tilt the waste toner container, toner will spill out.

02 Prepare a new waste toner container, and store the removed waste toner container.

1. Take the new waste toner container out of the box.

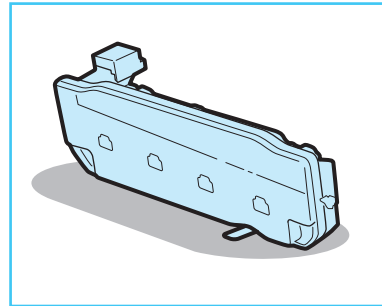


2. Insert the removed waste toner container into a bag, close and tie the bag so that the toner does not spill out, and then put the bag in a box.



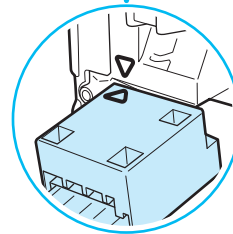
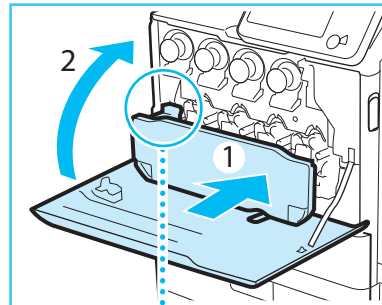
NOTE

- Use the bag in the box for the new waste toner container.
- Place the removed waste toner container on a level surface. If the waste toner container is tilted too far, toner may spill out.



03 Insert the new waste toner container into the main unit.

1. Align the mark on the waste toner container and the mark on the slot of the main unit, and insert the waste toner container.
2. Close the front cover of the main unit.



CAUTION

When closing the front cover of the main unit, be careful not to get your fingers caught, as this may result in personal injury.

Replacing the Drum Unit

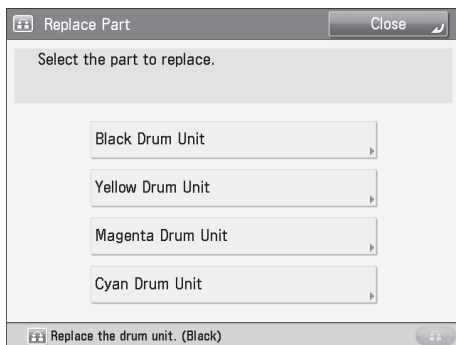
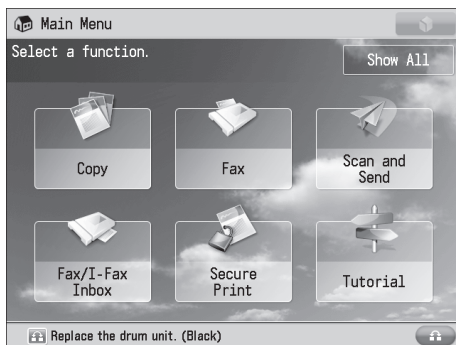
When the drum unit approaches the end of its service life and needs to be replaced, a message appears on the touch panel display. Follow the procedure described below to replace the drum unit.

IMPORTANT

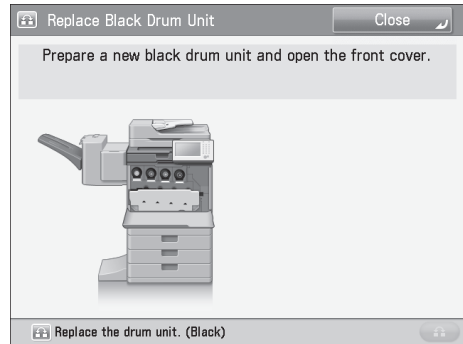
- For high-quality printouts, when replacing the drum unit we recommend using a Canon drum unit.
- Store drum units in a location away from light sources such as direct sunlight.
- Storing the drum unit in a room that is cold but rapidly heated, or has other rapid temperature changes, causes water droplets (condensation) to form inside it.
- Do not remove the orange protective cover until you insert the drum unit into the machine.

NOTE

- Complete instructions on how to replace the drum unit can be accessed by pressing [Previous] or [Next] on the touch panel display.
- Depending on your contract, a message prompting you to replace the drum unit may appear on the bottom of the touch panel display.

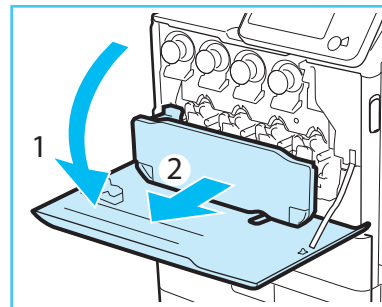


- When you finish replacing the drum unit, press [Close].



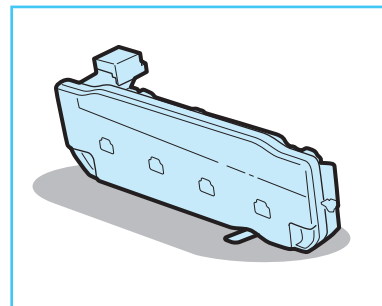
01 Remove the waste toner container.

1. Open the front cover of the main unit.
2. Pull out the waste toner container.



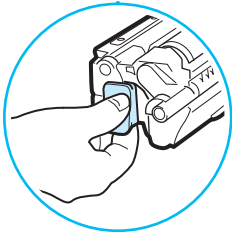
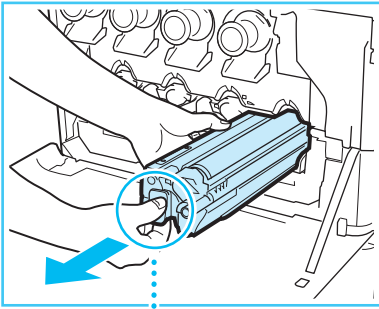
IMPORTANT

Place the removed waste toner container on a level surface. If the waste toner container is tilted too far, toner may spill out.



02 Pull out the drum unit to replace.

1. Grip the handle of the drum unit to replace, and pull it out.



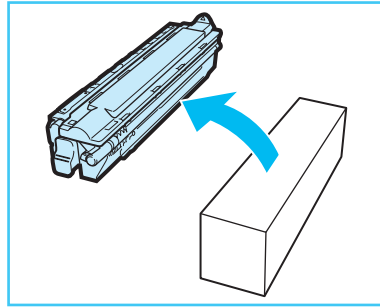
2. Pull the drum unit out of the main unit about halfway, and then pull it out all the way while supporting the indented area with your other hand.

IMPORTANT

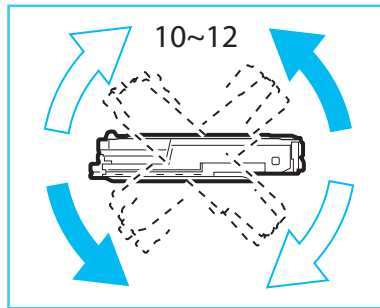
Do not tilt the removed drum unit too far. Doing so may cause toner to spill out.

03 Prepare to insert the new drum unit.

1. Remove the new drum unit from its box.



2. Hold the drum unit horizontally in both hands as shown in the illustration, and tilt it to the left and right approximately 12 times.

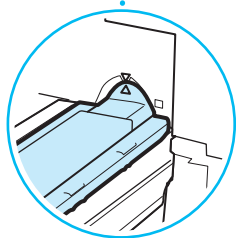
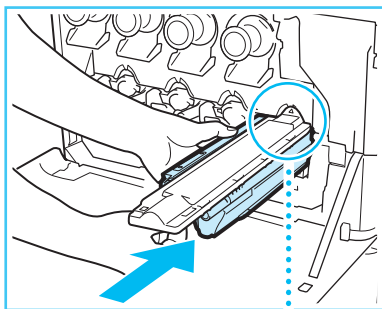


IMPORTANT

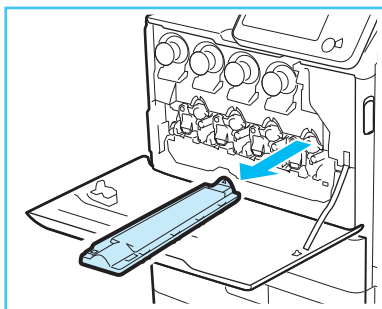
Do not remove the orange protective cover until you insert the drum unit into the machine.

04 Insert the new drum unit.

1. Grip the handle and indented area of the drum unit, and insert the drum unit while aligning the mark on the drum unit with the mark on the slot of the main unit.



2. Remove the protective cover after the drum unit is completely inserted.

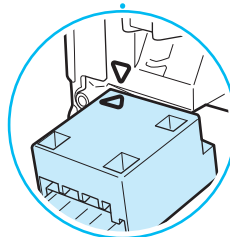
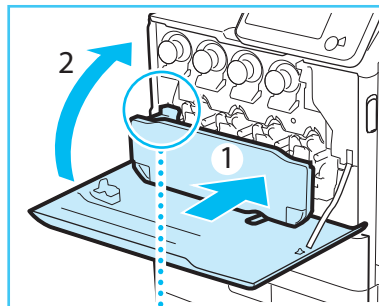


IMPORTANT

When you insert the drum unit into the main unit, the orange protective cover remains. Remove the protective cover after the drum unit is completely inserted.

05 Insert the waste toner container into the main unit.

1. Align the mark on the waste toner container and the mark on the slot of the main unit, and insert the waste toner container.
2. Close the front cover of the main unit.



CAUTION

When closing the front cover of the main unit, be careful not to get your fingers caught, as this may result in personal injury.

Consumables

The following consumables are available from Canon. For more information, contact your local authorized Canon dealer. We recommend that you order paper stock and toner from your local authorized Canon dealer before your stock runs out.

Recommended Paper

In addition to plain paper (LTR, LGL, STMT, and EXEC sizes), recycled paper, color paper, transparencies, labels, and other types of paper stock are available.

CAUTION

Do not store paper in places exposed to open flames, as this may cause the paper to ignite, resulting in burns or a fire.

IMPORTANT

- Some commercially available paper types are not suited for this machine. Contact your local authorized Canon dealer when you need to purchase paper.
- To prevent moisture build-up, tightly wrap any remaining paper in its original package for storage.

NOTE

For high-quality printouts, use paper recommended by Canon.

Toner

Confirm that the code on the front cover of the machine and the one on the package of the genuine toner are the same.



If a message prompting you to replace the toner cartridge appears on the touch panel display, replace the used toner cartridge of the displayed color with a new one.

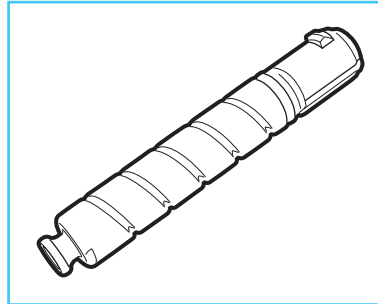
Toner comes in four colors: black, cyan, magenta, and yellow.

Check the toner color that you need to replace before ordering toner from your local authorized Canon dealer. Also, when replacing the toner cartridge, make sure that you replace toner of the correct color.

Use only toner cartridges intended for use with this machine.

For optimum print quality, using Canon genuine toner is recommended.

For information on the dedicated toner cartridge model numbers for this machine, see "Replacement Parts," on p.44.



WARNING

- Do not burn or throw used toner cartridges into open flames, as this may cause the toner remaining inside the cartridges to ignite, resulting in burns or a fire.
- Do not store toner cartridges in places exposed to open flames, as this may cause the toner to ignite, resulting in burns or a fire.
- If you accidentally spill or scatter toner, carefully wipe up the loose toner with a damp, soft cloth and avoid inhaling any toner dust. Do not use a vacuum cleaner that is not equipped with safety measures to prevent dust explosions to clean up loose toner. Doing so may cause damage to the vacuum cleaner or result in a dust explosion due to static discharge.

CAUTION

- Keep toner out of the reach of small children.
- If toner is ingested, consult a physician immediately.

IMPORTANT

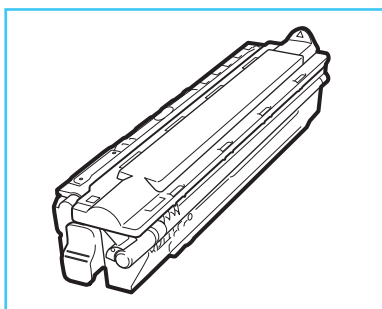
- Store toner cartridges in a cool location, away from direct sunlight. (The recommended storage conditions are temperatures below 86°F and humidity below 80%.)
- Do not store toner cartridges in an upright position.
- [Be careful of counterfeit toners]
Please be aware that there are counterfeit Canon toners in the marketplace. Use of counterfeit toner may result in poor print quality or machine performance. Canon is not responsible for any malfunction, accident or damage caused by the use of counterfeit toner.
For more information, see <http://www.canon.com/counterfeit>.

Drum Unit

When you replace the drum unit with a new one, be sure to use only drum units intended for use with the machine.

For optimum print quality, using Canon genuine drum unit is recommended.

For information on the drum unit model numbers for this machine, see "Replacement Parts," on p.44.

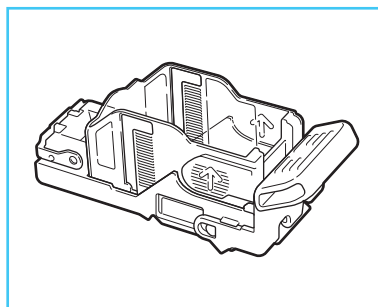


CAUTION

For cardiac pacemaker users:
This drum unit emits low level magnetic flux. If you use a cardiac pacemaker and feel abnormalities, please move away from the drum unit, and consult a physician.

Staple Cartridge

For information on the staple cartridge model numbers for this machine, see "Replacement Parts," on p.44.



Genuine Supplies

Canon has developed and manufactured Toner, Parts, and Supplies specifically for use in this machine.

For optimal print quality and for optimal machine performance and productivity, we recommend that you use Genuine Canon Toner, Parts, and Supplies.

Contact your Canon Authorized Dealer or Service Provider for Genuine Canon Supplies.



5




Troubleshooting

Routine Cleaning	58
Originals Cannot Be Scanned Properly (Cleaning the Platen Glass)	59
Scanned Originals Become Dirty (Manual Feeder Cleaning)	59
When White Streaks Appear on Prints (Cleaning the Dust Proof Glass)	60
When an Error Message/Error Code Is Displayed	62
When an Error Message Is Displayed	62
When an Error Code Is Displayed	62
Service Call Message	63
Contacting Your Local Authorized Canon Dealer	64
Setting the Limited Functions Mode from the Service Call Message Screen	64
Functions Available When the Printer/Scanner Cannot Be Used Due to an Error	65
Locations of Staple/Paper Jams	66

Routine Cleaning

If an original is not copied clearly, clean the platen glass, the underside of the feeder, the document feed scanning area, and the rollers of the feeder. For high-quality printouts, we recommend cleaning these parts once or twice a month.

The proper cleaning method for various cases is shown by the marks below.

Case	Type of Substance	Cleaning Method
Case 1 	Adhesive and other easy to remove substances	Clean the machine with the glass cleaning sheet included with the machine.
Case 2 	Ink and other difficult to remove substances	Clean the machine with a cloth which is wrung after being dampened in water, and then wipe it clean with a soft, dry cloth.
Case 3 	Stains that cannot be removed with a wet cloth	Clean the machine with a cloth dampened with a mild detergent mixed with water, and then wipe it clean with a soft, dry cloth.

WARNING

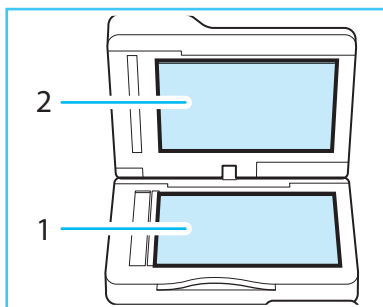
- When cleaning the machine, first turn Off the main power switch, and disconnect the power cord. Failure to observe these steps may result in a fire or electrical shock.
- Disconnect the power cord from the power outlet regularly, and clean the area around the base of the power plug's metal pins and the power outlet with a dry cloth to ensure that all dust and grime is removed. If the power cord is connected for a long period of time in a damp, dusty, or smoky location, dust can build up around the power plug and become damp. This may cause a short circuit and result in a fire.

IMPORTANT

- When cleaning with a cloth, do not dampen the cloth too much, as this may damage the original or break the machine.
- Do not use alcohol, benzene, paint thinner, or other solvents for cleaning. Doing so may result in damage to the plastic parts.

Originals Cannot Be Scanned Properly (Cleaning the Platen Glass)

If the platen glass or the underside of the feeder is dirty, the original may not be scanned clearly. Clean the platen glass and the underside of the feeder by following the procedure below.



1. Clean the platen glass.



2. Clean the underside of the feeder.



NOTE

- If stains will not come out, use detergent instead of water.
- When the glass cleaning sheet is dirty, rinse it with water and spread it out to let it dry.

Scanned Originals Become Dirty (Manual Feeder Cleaning)

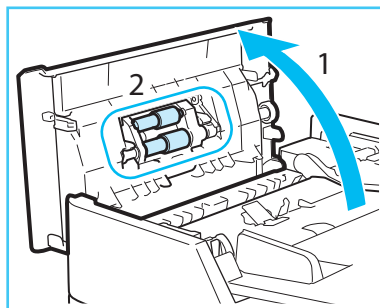
If originals that have been fed through the feeder have streaks or appear dirty, clean the feed rollers.

IMPORTANT

Spin the rollers while cleaning them.

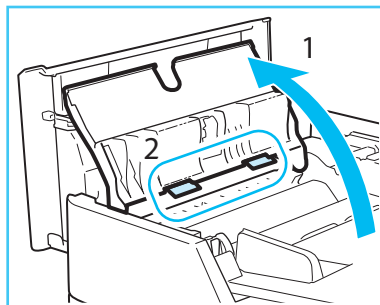
01 Clean the rollers of the feeder.

1. Open the feeder cover.
2. Clean the rollers (a total of two places) inside the feeder cover.



02 Clean the inside of the inner cover of the feeder.

1. Open the inner cover of the feeder.
2. Clean the transparent plastic (a total of two places).



3. Close the inner cover of the feeder.

CAUTION

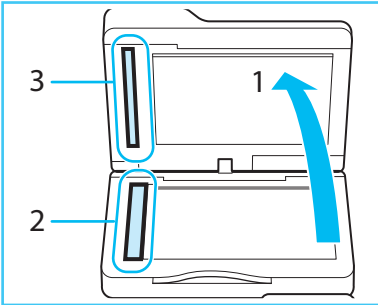
When closing the inner cover of the feeder, be careful not to get your fingers caught, as this may result in personal injury.

03 Clean the document feed scanning area (thin glass strip) and the white plate.

1. Open the feeder.
2. Clean the document feed scanning area.



3. Clean the white plate.



4. Close the feeder.

CAUTION

When closing the feeder, be careful not to get your fingers caught, as this may result in personal injury.

NOTE

When the glass cleaning sheet is dirty, rinse it with water and spread it out to let it dry.

04 Close the feeder cover.

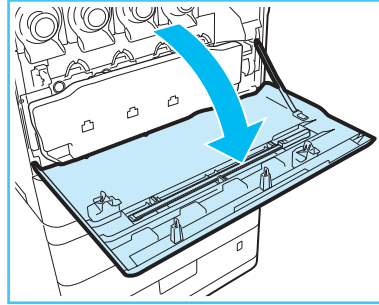
CAUTION

When closing the feeder cover, be careful not to get your fingers caught, as this may result in personal injury.

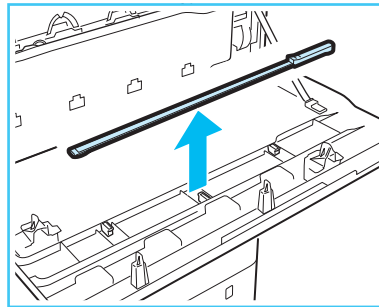
When White Streaks Appear on Prints (Cleaning the Dust Proof Glass)

When white streaks or other print defects occur, the dust proof glass may be dirty. Follow the procedure below to clean the dust proof glass.

01 Open the front cover of the main unit.

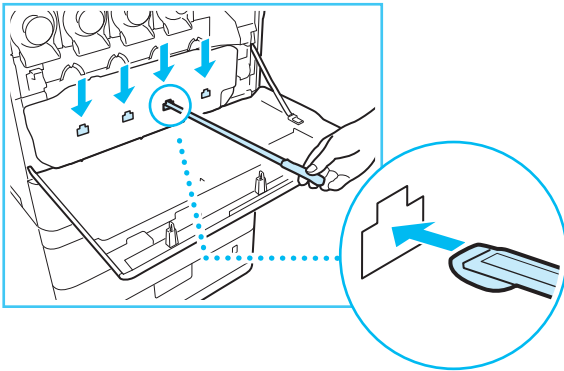


02 Remove the dust proof glass cleaner from the rear side of the front cover of the main unit.



03 Hold the dust proof glass cleaner so that the pad on the tip is facing down, insert it in the locations shown on the illustration until it stops, and then move it gently back and forth.

Clean the four locations as shown below. There are marks on the main unit that indicate the cleaning locations. Check these marks when cleaning the dust proof glass.



04 When you have finished cleaning the dust proof glass, gently push the dust proof glass cleaner back onto the rear side of the front cover of the main unit.

Place the dust proof glass cleaner back on the rear side of the front cover of the main unit with its tip facing the left direction.

05 Close the front cover of the main unit.

! CAUTION

When closing the front cover of the main unit, be careful not to get your fingers caught, as this may result in personal injury.

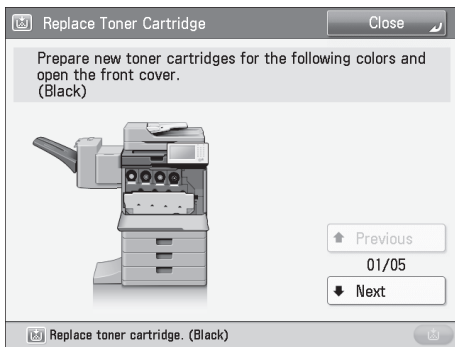
When an Error Message/Error Code Is Displayed

When an Error Message Is Displayed

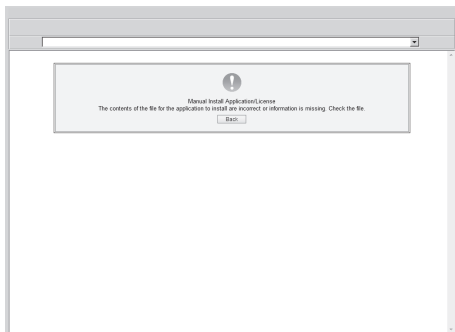
Error messages may appear on the touch panel display of the machine or the Web browser. Self-diagnostic error messages appear in the following cases:

- When scanning or printing cannot be performed because of an operational error
- When you need to make a decision or take some action during scanning or printing
- When you need to make a decision or take some action while browsing the network

For information on error messages and instructions on resolving errors, see e-Manual > Problem Solving.



Example of an Error Message on the Touch Panel Display

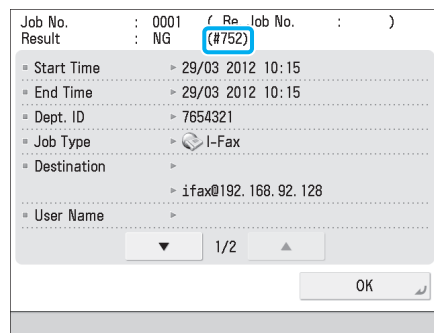


Example of an Error Message on the Web Browser

When an Error Code Is Displayed

If a job or operation does not complete successfully, the error code is displayed on the Details screen for Log on the Status Monitor/Cancel screen. You can check the error code in the following locations:

Details screen for Log on the Status Monitor/Cancel screen:



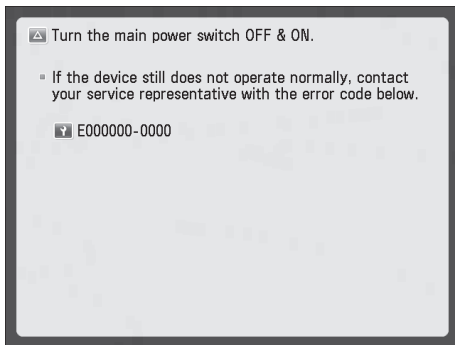
Results row of the Device Information Communication Log

START TIME	END TIME	TYPE	TO/FROM	DATA DETAILS	RESULT
04/06 16:06	04/06 16:07	DELIVER	111.111.111.1	DELETED	NG #751
04/06 16:10	04/06 16:10	DELIVER	111.111.111.1	ADDRESS BOOK DELETED	NG #752
04/06 16:10	04/06 16:10	DELIVER	222.222.222.222	ADDRESS BOOK DELETED	NG #753
04/06 16:10	04/06 16:10	DELIVER	333.333.333.333	ADDRESS BOOK DELETED	NG #754

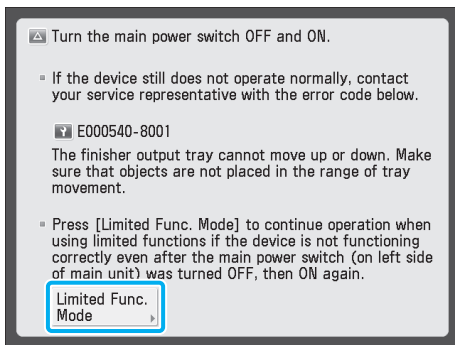
If an error occurs during a send, receive, or fax job, the error code is printed. For information on error codes and instructions on resolving errors, see e-Manual > Problem Solving.

Service Call Message

If a malfunction occurs and the machine cannot operate normally, a screen prompting you to contact your local authorized Canon dealer is displayed. If a screen such as the one below is displayed, contact your local authorized Canon dealer. (See "Contacting Your Local Authorized Canon Dealer" on p. 64.)



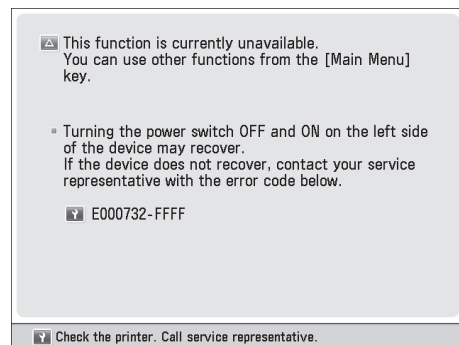
When [Limited Func. Mode] is displayed:



If [Limited Func. Mode] is displayed, you can temporarily set the Limited Functions Mode to continue to use the machine until the cause of the malfunction is cleared. (See "Setting the Limited Functions Mode from the Service Call Message Screen," on p.64.)

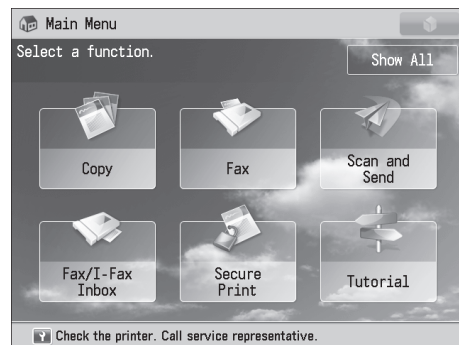
If a screen such as the one above is displayed and the print or scan function does not operate normally, some functions may still be available.

When the Print or Scan function does not operate normally:



The selected function cannot be used. Press [Main Menu] to return to the Main Menu

When a service call message is displayed on the bottom of the screen:



Even if a message prompting you to call your service representative appears on the bottom of the screen, some functions may still be available.

For more information on the available functions, see "Functions Available When the Printer/Scanner Cannot Be Used Due to an Error," on p.65.

Contacting Your Local Authorized Canon Dealer

If a screen prompting you to contact your local authorized Canon dealer is displayed, follow the procedure described below.

01 Turn the main power OFF and then ON.

IMPORTANT

For precautions to take when restarting the machine, see "Main Power and Energy Saver Key," on p.34.

02 If the operation still cannot be performed correctly, turn the main power switch OFF, remove the power plug from the outlet, and contact your local authorized Canon dealer.

WARNING

Mishandling the power plug is dangerous. For instructions on handling the power plug, see "Important Safety Instructions," on p.84.

NOTE

When you contact your local authorized Canon dealer, have the following information available:

- Product name
- Details of the malfunction
- The error code displayed on the touch panel display

Setting the Limited Functions Mode from the Service Call Message Screen

When [Limited Func. Mode] is displayed, follow the procedures below.

IMPORTANT

If you turn OFF the main power switch when there is a job waiting to print, that job is erased.

NOTE

If you set Limited Functions Mode to 'On' from the Service Call Message screen, [Limited Functions Mode] in [Management Settings] (Settings/Registration) is also set to 'On'. (See e-Manual > Security.)

01 Press [Limited Func. Mode] → [Yes].

A message prompting you to restart the machine (turning the main power switch OFF, and then ON) appears.

02 Turn the main power OFF and then ON.

IMPORTANT

For precautions to take when restarting the machine, see "Main Power and Energy Saver Key," on p.34.

Functions Available When the Printer/Scanner Cannot Be Used Due to an Error

Even when an error occurs and the Print and Scan functions are restricted, there are functions that can be used. The functions that can be operated are marked with a check mark, and those that cannot be operated are marked with a dash below.

Main Menu Screen

Available Functions	When the Print function is restricted	When the Scan function is restricted
Copy	-	-
Fax	✓*1	-
Scan and Send	✓	-
Scan and Store	✓	-
Access Stored Files	-	✓*2
Fax/I-Fax Inbox	-	✓
Secure Print	-	✓
Scanner	✓	-
Web Access	✓	✓
Shortcut to Settings/Registration	-	-
Tutorial	✓	✓
Workflow Composer	-	-
Document Scan Code Analyzer*3	✓	✓
Other MEAP Applications*4	✓	✓

*1 Sending a fax from a computer is not available.

*2 [Add Files (Scan and Store)] on the Edit File screen is not available.

*3 Document Scan Code Analyzer is included in the Document Scan Lock Kit. (See e-Manual > Optional Products/Software.)

*4 Available by installing each MEAP application. May not be available depending on the restricted functions.

Touch Panel Display Left Side

Available Functions	When the Print function is restricted	When the Scan function is restricted
Quick Menu*1	✓	✓
The Status Monitor/Cancel Screen	✓*2	✓

*1 The registered button may not be available depending on the restricted functions.

*2 [Print List] on the Job Log screen and [Register] on the Consumable screen are not available.

Control Panel

Available Functions	When the Print function is restricted	When the Scan function is restricted
Settings/Registration	-	-

Operation From a Computer

Available Functions	When the Print function is restricted	When the Scan function is restricted
Remote UI*1	✓	✓
MEAP Application*2	✓	✓

*1 Some of the menus may not be available depending on the restricted functions.

*2 Available by installing each MEAP application. May not be available depending on the restricted functions.

IMPORTANT

- A print job is automatically canceled when the Print function is restricted. A scan job is automatically canceled when the Scan function is restricted.
- The machine may not enter the Sleep mode completely when a function is restricted due to an error.

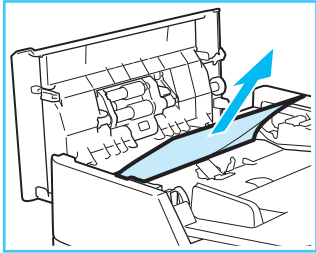
NOTE

If the target function is restricted due to an error, the function is not available when you use the shortcut key on the left side of the touch panel display or when you use the Quick Menu.

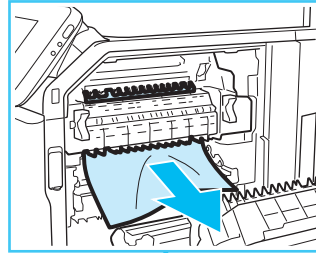
Locations of Staple/Paper Jams

Paper and staple jams may occur in the following parts of the machine. By following the instructions in the applicable section, you can clear staple/paper jams. For details on these procedures, see the e-Manual.
Paper Jams: e-Manual > Problem Solving > Locations of Paper Jams
Staple Jams: e-Manual > Problem Solving > Clearing Staple Jams (Staple Finisher-S1)

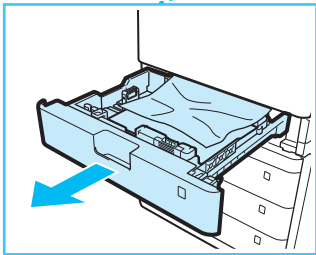
Feeder



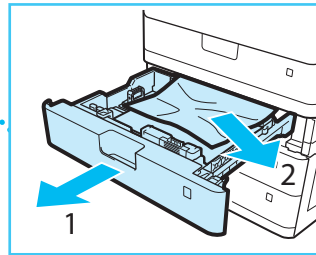
Main Unit



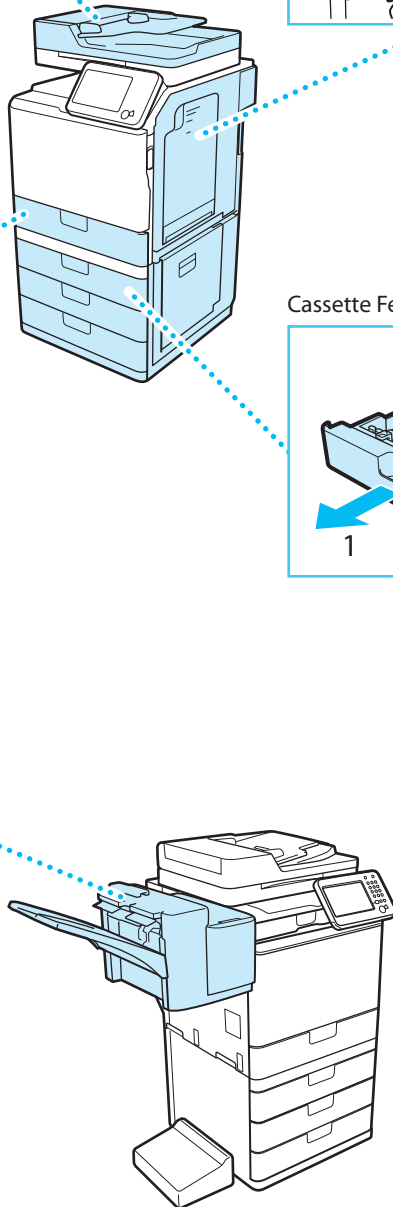
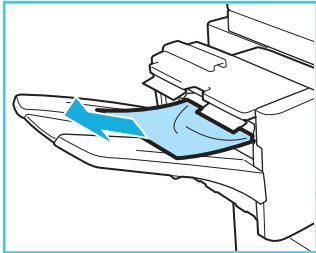
Paper Drawer



Cassette Feeding Unit-AG1/AH1 (Optional)



Staple Finisher-S1 (Optional)





Appendix

Specifications	68	Copyright.....	79
Main Unit	68	Disclaimers.....	79
Feeder.....	71	Legal Limitations on the Usage of Your Product and the Use of Images.....	79
Cassette Feeding Unit-AG1	71	Users in the U.S.A.	80
Cassette Feeding Unit-AH1	72	Users in Canada	81
Staple Finisher-S1	72	Utilisation au Canada	82
Copy Card Reader-F1	73	Super G3.....	83
FAX Function	73	Important Safety Instructions	84
Send Function (Scan Features).....	74	Installation.....	84
Send Function (E-Mail and I-Fax Features).....	75	Power Supply	84
Network Environment (Hardware Specifications)	76	Handling.....	85
Network Environment (Software Specifications).....	76	Maintenance and Inspections.....	86
Printer Settings (Software Specifications).....	76	Consumables	87
Legal Notices	77	Telephone Equipment.....	88
Product Name.....	77	Other Warnings.....	88
FCC (Federal Communications Commission) Users in the U.S.A	77	CANON imageRUNNER ADVANCE C350iF/C250iF SERIES LIMITED WARRANTY.....	89
Laser Safety.....	78	TERMS OF imageWARE REMOTE SERVICE	90
International ENERGY STAR Program	78	TERMS OF Content Delivery System.....	91
IPv6 Ready Logo.....	78		
Information Security Standard (IEEE 2600).....	78		

Specifications

Specifications are subject to change without notice for product improvement or future release.

Main Unit

Item	Specifications
Name	Canon imageRUNNER ADVANCE C350iF/C250iF
Type	Reader-printer separated, Desktop
Color Supported	Full Color
Resolution for Reading	600 x 600 dpi
Resolution for Writing	600 x 600 dpi
Number of Tones	256
Available Paper	<p>Paper Drawer:</p> <p>Weight: 16 lb bond to 60 lb cover (60 to 163 g/m²)</p> <p>Type: Thin (16 lb bond (60 to 63 g/m²)), Plain 1 (17 to 20 lb bond (64 to 75 g/m²)), Plain 2 (21 to 24 lb bond (76 to 90 g/m²)), Plain 3 (25 to 28 lb bond (91 to 105 g/m²)), Recycled, Color, Pre-Punched, Bond, Heavy 1 (29 to 34 lb bond (106 to 128 g/m²)), Heavy 2 (35 lb bond to 60 lb cover (129 to 163 g/m²)), and Envelopes*</p> <p>Multi-Purpose Tray:</p> <p>Weight: 16 lb bond to 80 lb cover (60 to 220 g/m²)</p> <p>Type: Thin (16 lb bond (60 to 63 g/m²)), Plain 1 (17 to 20 lb bond (64 to 75 g/m²)), Plain 2 (21 to 24 lb bond (76 to 90 g/m²)), Plain 3 (25 to 28 lb bond (91 to 105 g/m²)), Recycled, Color, Pre-Punched, Bond, Heavy 1 (29 to 34 lb bond (106 to 128 g/m²)), Heavy 2 (35 lb bond to 60 lb cover (129 to 163 g/m²)), Heavy 3 (61 to 80 lb cover (164 to 220 g/m²)), Labels, Transparency, and Envelopes</p> <p>* Envelopes can only be loaded in Paper Drawer 1.</p>
Acceptable Originals	Sheet, book, and three dimensional objects (up to 4.4 lb (2 kg))
Paper Sizes	<p>Paper Drawer:</p> <p>LGL, LTR, STMT, EXEC, and Custom size (3 7/8" x 7 1/2" to 8 1/2" x 14" (98.4 x 190.5 mm to 216 x 355.6 mm))</p> <p>Multi-Purpose Tray:</p> <p>LGL, LTR, STMT, EXEC, and Custom size (3 7/8" x 5 7/8" to 8 1/2" x 14" (98.4 x 148 mm to 216 x 355.6 mm))</p>

Item	Specifications
Warm-Up Time*	<p>After Powering ON (when [Quick Startup Settings for Main Power] is set to 'Off'): 34 seconds or less</p> <p>After Powering ON (when [Quick Startup Settings for Main Power] is set to 'On'): 10 seconds or less</p> <p>The time until key operations can be performed on the touch panel display is 7 seconds or less. Even if [Quick Startup Settings for Main Power] is set to 'On', the machine does not startup quickly, depending on the situations.</p> <p>Returning from the Sleep mode: 10 seconds or less</p> <p>* Activation time may vary, depending on the environment and conditions under which the machine is being used. (At a room temperature of 68 °F in all above cases.)</p>
First Copy Time	<p>imageRUNNER ADVANCE C350iF Full Color: 7.4 seconds Black-and-White: 5.9 seconds</p> <p>imageRUNNER ADVANCE C250iF Full Color: 10.5 seconds Black-and-White: 8.4 seconds</p>
Copy Speed*	<p>Direct</p> <p>imageRUNNER ADVANCE C350iF LGL 29 sheets/minute LTR 36 sheets/minute STMT 26 sheets/minute EXEC 36 sheets/minute</p> <p>imageRUNNER ADVANCE C250iF LGL 21 sheets/minute LTR 26 sheets/minute STMT 26 sheets/minute EXEC 26 sheets/minute</p> <p>* Except when paper is fed from the multi-purpose tray.</p> <p>The copy speed may vary, depending on the settings for paper type, paper size, and the sending method. When continuously copying, adjustments for machine temperature or image quality may cause machine operations to pause or become slow.</p>
Margin	<p>Top: 1/8" (4.0 mm) Left and Right: 1/8" (4.2 mm) Bottom: 1/8" (2.5 mm)</p>
Magnification	<p>Regular paper size:</p> <p>Same Ratio Direct</p> <p>Reduction 1:0.78 (LGL → LTR), 1:0.64 (LTR → STMT), 1:0.50, and 1:0.25</p> <p>Enlargement 1:1.29 (STMT → LTR), 1:2.00, and 1:4.00</p> <p>Copy Ratio: 25 to 400% (in 1% increment)</p>

Item	Specifications
Paper Feeding System/Capacity	Paper Drawer: 550 sheets (21 lb bond (80 g/m ²)) or 640 sheets (17 lb bond (64 g/m ²)) Multi-Purpose Tray: 100 sheets (21 lb bond (80 g/m ²))
Multiple Copies	999 sheets
Memory Capacity	2 GB
Hard Disk Capacity*	160 GB (Used space: 80 GB) * The hard disk capacity is subject to change in future release.
Power Source	120 V AC, 60 Hz, 6.9 A
Power Consumption	Maximum Power Consumption: 1.5 kW or less When the machine is in the Sleep mode*: 1 W When the main power switch is turned OFF: When [Quick Startup Settings for Main Power] is set to 'On': 0.5 W When [Quick Startup Settings for Main Power] is set to 'Off': 0.1 W * Depending on the system and conditions of use, these values may differ.
Dimensions (H x W x D)	24" x 20 1/8" x 24 1/2" (610 mm x 511 mm x 621 mm)
Weight	Approximately 99.2 lb (45 kg)
Installation Space (W x D)	33 1/2" x 24 1/2" (852 mm x 621 mm) (when the multi-purpose tray is extended)

Feeder

Item	Specifications
Original Feeding Mechanism	Automatic Document Feeder
Size and Weight of Originals	<p>Size: LGL, LTR, and STMT</p> <p>Weight: 1-Sided Scanning*: 13 to 28 lb bond (50 to 105 g/m²) 2-Sided Scanning : 17 to 28 lb bond (64 to 105 g/m²)</p> <p>* When scanning only one sheet of paper, originals from 13 to 34 lb bond (50 to 128 g/m²) are supported.</p>
Original Tray Capacity	<p>50 sheets* (21 lb bond (80 g/m²))</p> <p>* 30 sheets for LGL documents</p>
Original Scanning Speed	<p>imageRUNNER ADVANCE C350iF:</p> <p>Copying: 1-sided scanning: 36 sheets/minute (LTR in Black-and-White/Full Color at 300 x 600 dpi)</p> <p>Scanning: 1-sided scanning: 36 sheets/minute (LTR in Black-and-White/Full Color at 300 x 300 dpi)</p> <p>imageRUNNER ADVANCE C250iF:</p> <p>Copying: 1-sided scanning: 26 sheets/minute (LTR in Black-and-White/Full Color at 300 x 600 dpi)</p> <p>Scanning: 1-sided scanning: 26 sheets/minute (LTR in Black-and-White/Full Color at 300 x 300 dpi)</p>

Cassette Feeding Unit-AG1

Item	Specifications
Paper Sizes	LGL, LTR, STMT, EXEC, and Custom size (3 7/8" x 7 1/2" to 8 1/2" x 14" (98.4 x 190.5 mm to 216 x 355.6 mm))
Paper Drawers Capacity	550 sheets (21 lb bond (80 g/m ²)) or 640 sheets (17 lb bond (64 g/m ²))
Power Source/Maximum Power Consumption	From the main unit/Approximately 25 W
Dimensions (H x W x D)	16 3/4" x 20 1/8" x 20" (425 mm x 511 mm x 508 mm)
Weight	Approximately 33.1lb (15 kg)

Cassette Feeding Unit-AH1

Item	Specifications
Paper Sizes	LGL, LTR, STMT, EXEC, and Custom size (3 7/8" x 7 1/2" to 8 1/2" x 14" (98.4 x 190.5 mm to 216 x 355.6 mm))
Paper Drawers Capacity	550 sheets (21 lb bond (80 g/m ²)) or 640 sheets (17 lb bond (64 g/m ²))
Power Source/Maximum Power Consumption	From the main unit/Approximately 35 W
Dimensions (H x W x D)	16 3/4" x 20 1/8" x 20" (425 mm x 511 mm x 508 mm)
Weight	Approximately 41.9 lb (19 kg)

Staple Finisher-S1

Item	Specifications
Paper Size/Weight/Type	<p>Size: LGL, LTR, STMT, EXEC, Custom size (3 7/8" x 5 7/8" to 8 1/2" x 14" (98.4 x 148 mm to 216 x 355.6 mm)), and Envelopes</p> <p>Weight: 16 lb bond to 80 lb cover (60 to 220 g/m²)</p> <p>Type: Thin (16 lb bond (60 to 63 g/m²)), Plain 1 (17 to 20 lb bond (64 to 75 g/m²)), Plain 2 (21 to 24 lb bond (76 to 90 g/m²)), Plain 3 (25 to 28 lb bond (91 to 105 g/m²)), Recycled, Color, Pre-Punched, Bond, Heavy 1 (29 to 34 lb bond (106 to 128 g/m²)), Heavy 2 (35 lb bond to 60 lb cover (129 to 163 g/m²)), Heavy 3 (61 to 80 lb cover (164 to 220 g/m²)), Labels, Transparency, and Envelopes</p>
Capacity Per Tray	<p>No finishing set, Collate, and Collate + Offset and Group + Offset mode: 500 sheets (or 2 7/8 (73.5" mm) in height)</p> <p>Staple mode: 500 sheets/20 sets (or 2 7/8" (73.5 mm) in height)</p>
Max. Stapling capacity/ Available Staple Size	30 sheets
Power Source/Maximum Power Consumption	From the main unit/Approximately 37 W
Dimensions (H x W x D)	11 7/8" x 23 1/4" x 18 1/8" (301 mm x 589 mm x 459 mm)
Weight	Approximately 30.9 lb (14 kg)
Installation Space Including the Main Unit (W x D)	42" x 22 5/8" (1,066 mm x 573 mm) (when the multi-purpose tray is extended)

Copy Card Reader-F1

Item	Specifications
Available Cards	Magnetic
Card Readout Method	Magnetic readout
Magnetic Card Reading Direction	Face up
Store/Replay	Replay
Power Source	From the main unit
Dimensions (H x W x D)	1 5/8" x 3 1/2" x 3 3/4" (40 mm x 88 mm x 96 mm) (excluding the attachment kit and cable)
Weight	Approximately 7.1 oz (200 g) (including the attachment kit and cable)

FAX Function

Item	Specifications
Telephone Line Used*1	Public Switched Telephone Network
Scan Line Density (Scan Transmission)	Normal: 8 pels*2/mm x 3.85 line/mm Fine: 8 pels*2/mm x 7.7 line/mm Super-Fine: 8 pels*2/mm x 15.4 line/mm Ultra-Fine: 16 pels*2/mm x 15.4 line/mm
Transmission Speed	Super G3: 33.6 kbps, G3: 14.4 kbps
Compression Method	MH, MR, MMR, JBIG
Transmission Type	Super G3, G3
Sending Original Sizes	LGL to STMT
Receiving Paper Sizes	11" x 17" to STMT
Transmission Times	JBIG: Approximately 2.6 seconds
Auto Dial Function	Address Book: 1,800 destinations (including destinations stored in one-touch buttons)
Image Memory	Approximately 6,000 pages

*1 When using an IP telephone service, facsimile communication may not be performed normally via an IP telephone line. It is recommended to use facsimile communication via a general telephone (Public Switched Telephone Network) line.

*2 Pels stands for picture elements (pixels).

Send Function (Scan Features)

Item	Specifications
Communication Protocol	FTP (TCP/IP), SMB (TCP/IP), WebDAV
Data Format	TIFF, JPEG, PDF, XPS, OOXML (PowerPoint)
Resolution	Black-and-White: 100 x 100 dpi, 150 x 150 dpi, 200 x 100 dpi, 200 x 200 dpi, 200 x 400 dpi, 300 x 300 dpi, 400 x 400 dpi, 600 x 600 dpi Color: 100 x 100 dpi, 150 x 150 dpi, 200 x 100 dpi, 200 x 200 dpi, 300 x 300 dpi
System Environment	Windows Server 2003 R2 SP2, Windows Vista SP2, Windows Server 2008 SP2, Windows Server 2008 R2 SP2, Windows 7, Windows 8, Windows 8.1, Windows Server 2012, Windows Server 2012 R2, Solaris 10, Mac OS X 10.6.x/10.7.x/10.8.x/10.9.x, Red Hat Linux 9
Interface	1000BASE-T, 100BASE-TX, 10BASE-T
Color Mode	Automatic-Color Select (Full Color/Grayscale), Automatic-Color Select (Full Color/Black-and-White), Full Color, Grayscale, Black-and-White
Original Type	Text, Text/Photo, Photo
Other	Preview, Browse Windows (SMB) File Server
Optional PDF/XPS/OOXML Functions	PDF: Compact, Trace and Smooth, Encryption, OCR, Device Signature, User Signature, Optimization for Web* ¹ , PDF/A-1b, Policy Applied XPS: Compact, OCR, Device Signature, User Signature OOXML: PowerPoint, OCR

*1 PDF files optimized for Web viewing.

Send Function (E-Mail and I-Fax Features)

Item	Specifications
Communication Protocol	SMTP, POP3
I-Fax Communication Mode	Simple, Full
Resolution	<p>For Sending E-mail (Black-and-White): 100 x 100 dpi, 150 x 150 dpi, 200 x 100 dpi, 200 x 200 dpi, 200 x 400 dpi, 300 x 300 dpi, 400 x 400 dpi, 600 x 600 dpi</p> <p>For Sending E-mail (Color): 100 x 100 dpi, 150 x 150 dpi, 200 x 100 dpi, 200 x 200 dpi, 300 x 300 dpi</p> <p>For Sending I-Fax: 200 x 100 dpi, 200 x 200 dpi, 200 x 400 dpi^{*1}, 300 x 300 dpi^{*1}, 400 x 400 dpi^{*1}, 600 x 600 dpi^{*1}</p>
Format	<p>E-mail: TIFF, JPEG, PDF, XPS, OOXML(PowerPoint)</p> <p>I-Fax (Black-and-White): TIFF (MH, MR^{*1}, MMR^{*1})</p>
Original Size	<p>E-mail: LGL, LTR, STMT</p> <p>I-Fax: LGL^{*2}, LTR, STMT^{*2}</p>
Server Software	Microsoft Exchange 2003 SP2, Microsoft Exchange 2007 SP2, Microsoft Exchange 2010, Microsoft Exchange 2013, Sendmail 8.14.4, Lotus Domino R7.0
Other	Searches a destination via the LDAP Server, Preview
Optional PDF/XPS/OOXML Functions (E-mail only)	<p>PDF: Compact, Trace and Smooth, Encryption, OCR, Device Signature, User Signature, Optimization for Web^{*3}, PDF/A-1b, Policy Applied</p> <p>XPS: Compact, OCR, Device Signature, User Signature</p> <p>OOXML: PowerPoint, OCR</p>

*1 Available after setting RX conditions of the destination.

*2 Sent as LTR.

*3 PDF files optimized for Web viewing.

Network Environment (Hardware Specifications)

Item	Specifications
Network Interface	10Base-T/100Base-TX/1000Base-T (RJ-45)

Network Environment (Software Specifications)

Item	Specifications
Protocol Supported	<p>TCP/IP:</p> <p>Frame type: Ethernet II</p> <p>Print applications: LPD/Raw/IPP/PPS/FTP/WSD/SMB/NetWare</p> <p>IPX/SPX</p> <p>Frame type: Ethernet II/Ethernet 802.2/Ethernet 802.3/Ethernet SNAP/Auto Detect</p> <p>Print applications: Bindery PServer/NDS PServer/RPrinter/NPrinter</p>

Printer Settings (Software Specifications)

Item	Specifications
Resident Fonts	<p>PCL:</p> <p>93 Scalable fonts, 2 OCR fonts, 10 Bitmap fonts, and AndaleFont* (Japanese, Korean, Simplified Chinese, Traditional Chinese)</p> <p>PS:</p> <p>136 Scalable fonts</p> <p>* The optional PCL International Font Set needs to be activated to use Andale® and WorldType® Collection, or Andale Mono WT.</p>
Printable Area	<p>PCL5c, PCL6:</p> <p>Reduced to 1/8" (4.2 mm) from the top, bottom, left, and right edges of the paper.</p> <p>PostScript 3:</p> <p>Reduced to 1/8" (4 mm) from the top, bottom, left, and right edges of the paper.</p> <p>When printing in the Expand Print Region and Print mode, the upper margin becomes 1/8" (4 mm), the lower margin becomes 1/8" (2.5 mm), and the side margins both become 1/8" (4.2 mm). The printable area is enlarged.</p> <p>When an original has data that extends all the way to the edges, even if you select [Expand Print Region and Print], the periphery of the data may be cut off when printing. In this case, specify the reduction ratio in the printer driver so that data is not cut off, and perform printing again.</p>

Legal Notices

Product Name

Safety regulations require the product's name to be registered. In some regions where this product is sold, the following name(s) in parenthesis may be registered instead.

- imageRUNNER ADVANCE C350iF/C250iF (F162600)

FCC (Federal Communications Commission) Users in the U.S.A

This device complies with Part 15 of the FCC Rules.

Operation is subject to the following two conditions:

- (1) This device may not cause harmful interference, and
- (2) this device must accept any interference received, including interference that may cause undesired operation.

This equipment has been tested and found to comply with the limits for a Class B digital device, pursuant to Part 15 of the FCC Rules. These limits are designed to provide reasonable protection against harmful interference in a residential installation. This equipment generates, uses, and can radiate, radio frequency energy and, if not installed and used in accordance with the instructions, may cause harmful interference to radio communications. However, there is no guarantee that interference will not occur in a particular installation. If this equipment does cause harmful interference to radio or television reception, which can be determined by turning the equipment OFF and ON, the user is encouraged to try to correct the interference by one or more of the following measures:

- Reorient or relocate the receiving antenna.
- Increase the separation between the equipment and receiver.
- Connect the equipment to an outlet on a circuit different from that to which the receiver is connected.
- Consult the dealer or an experienced radio/TV technician for help.

Use of shielded cables are required to comply with Class B limits in Subpart B of Part 15 of the FCC Rules.

Do not make any changes or modifications to the equipment unless otherwise specified in this manual. If you make such changes or modifications, you could be required to stop operation of the equipment.

If your equipment malfunctions, please contact your local authorized Canon dealer from whom you purchased the equipment (if under warranty), or with whom you have a servicing contact. If you are not sure who to contact, and have both purchased and are using the equipment in the U.S.A., please refer to the "SUPPORT" page on Canon U.S.A.'s Web site (<http://www.usa.canon.com>).

Canon U.S.A., Inc.

One Canon Park, Melville, NY 11747, U.S.A.

TEL No. 1-800-OK-CANON

Laser Safety

This product complies with 21 CFR Chapter 1 Subchapter J as a Class I laser product under the U.S. Department of Health and Human Services (DHHS) Radiation Performance Standard according to the Radiation Control for Health and Safety Act of 1968. Also, this product is certified as a Class 1 laser product under IEC60825-1: 2007. This means that the product does not produce hazardous laser radiation.

Since radiation emitted inside the product is completely confined within protective housings and external covers, the laser beam cannot escape from the machine during any phase of user operation. Do not remove protective housings or external covers, except as directed by the equipment's manual.

The label shown below is attached to the inside of the front cover.

	DANGER - Invisible laser radiation when open and interlocks defeated. AVOID DIRECT EXPOSURE TO BEAM.
	CAUTION - CLASS 3B INVISIBLE LASER RADIATION WHEN OPEN AND INTERLOCKS DEFEATED, AVOID EXPOSURE TO THE BEAM.
	ATTENTION - RAYONNEMENT LASER INVISIBLE DE CLASSE 3B EN CAS D'OUVERTURE OU LORSQUE LE CONTACT DE SECURITE EST DEVEROUELLÉ. ÉVITEZ L'EXPOSITION AU FAISCEAU.
VORSICHT	UNSIICHTBARE LASERSTRAHLUNG KLASSE 3B, WENN ABDECKUNG GEÖFFNET UND SICHERHEITSVERREGELUNGEN ÜBERBRÜCKT. NICHT DEM STRAHL AUSSETZEN.
PRECAUCIÓN	RADIACIÓN LASER INVISIBLE DE CLASE 3B PRESENTE AL ABRIR Y CUANDO ESTÁN NEUTRALIZADOS LOS BLOQUEOS DE SEGURIDAD. EVITE LA EXPOSICIÓN AL HAZ.
VAROITUS	OSVÄLIG LASERSTRÅLNING KLASS 3B VID ÖPPEN LUCKA OCH FÖRREGLINGAR URKOPPLADE OCH/VIK EXPONERING FÖR LASERSTRÅLNINGEN.
VAROITUS	LUOKAN 3B NÄKYMÄTTÖMÄLLE LASER-SÄTEILYÄ AVATTUNA JA SUOJALUKITUKSET POISTETTUNA. VÄLTÄ ALTISTUMISTA SÄTEELLE.
注意	当打开或联锁装置失效时, 会有不可见的3B类激光辐射, 请避免接触该激光束
注意	打開機蓋蓋板或鬆釋連結鎖時有3B級不可視雷射光釋出, 應避免曝射
주의	열리거나 인터록 고장의 경우 등급 3B 비가시 레이저 방사선이 방출됩니다. 광선에 노출을 피하십시오.
注意	ここを開き、インタロックを解除するとクラス3B不可視レーザー放射がでます。ビームに身をさらさないこと。

CAUTION

Use of controls, adjustments, or performance of procedures other than those specified in the manuals for this machine may result in hazardous radiation exposure.

International ENERGY STAR Program



As an ENERGY STAR® Partner, Canon USA, Inc. has determined that this machine meets the international ENERGY STAR Program for energy efficiency.

The International ENERGY STAR Office Equipment Program

is an international program that promotes energy saving through the use of computers and other office equipment. The program backs the development and dissemination of products with functions that effectively reduce energy consumption. It is an open system in which business proprietors can participate voluntarily. The targeted products are office equipment, such as computers, displays, printers, facsimiles, and copiers. The standards and logos are uniform among participating nations.

IPv6 Ready Logo



The protocol stack included in this machine has obtained the IPv6 Ready Logo Phase-2 established by the IPv6 Forum.

Information Security Standard (IEEE 2600)

This machine is compliant with IEEE Std 2600™ - 2008 (hereinafter referred to as IEEE 2600), a global information security standard for multifunction peripherals and printers, and is able to achieve the security requirements defined in IEEE 2600.*

For information on how this machine meets the security requirements defined in IEEE 2600, see e-Manual > Security > IEEE 2600 Security Standard.

* IEEE 2600.1 CC Authentication has not been obtained for this machine by itself.

Copyright

Copyright 2014 by Canon Inc. All rights reserved.

No part of this publication may be reproduced or transmitted in any form or by any means, electronic or mechanical, including photocopying and recording, or by any information storage or retrieval system without the prior written permission of Canon Inc.

This product includes software and/or software modules that are licensed by Canon Inc. or its licensors from third parties. Use and distribution of this software and/or software modules are subject to conditions (a) through (c) below.

(a)

UFST: Copyright © 1989 - 1996, 1997, 2003, 2004, 2008, all rights reserved, by Monotype Imaging Inc.

(b)

Copyright © Unpublished Work of Novell, Inc.
All Rights Reserved.

(c)

Portions of this software are copyright © 2007
The FreeType Project (www.freetype.org).
All rights reserved.

Disclaimers

The information in this document is subject to change without notice.

CANON INC. MAKES NO WARRANTY OF ANY KIND WITH REGARD TO THIS MATERIAL, EITHER EXPRESS OR IMPLIED, EXCEPT AS PROVIDED HEREIN, INCLUDING WITHOUT LIMITATION, THEREOF, WARRANTIES AS TO MARKETABILITY, MERCHANTABILITY, FITNESS FOR A PARTICULAR PURPOSE OR USE, OR NON-INFRINGEMENT. CANON INC. SHALL NOT BE LIABLE FOR ANY DIRECT, INCIDENTAL, OR CONSEQUENTIAL DAMAGES OF ANY NATURE, OR LOSSES OR EXPENSES RESULTING FROM THE USE OF THIS MATERIAL.

The following applies in California, USA only:

The battery included with your product contains Perchlorate Material and may require special handling.

See <http://www.dtsc.ca.gov/hazardouswaste/perchlorate/> for details.

Legal Limitations on the Usage of Your Product and the Use of Images

Using your product to scan, print or otherwise reproduce certain documents, and the use of such images as scanned, printed or otherwise reproduced by your product, may be prohibited by law and may result in criminal and/or civil liability. A non-exhaustive list of these documents is set forth below. This list is intended to be a guide only. If you are uncertain about the legality of using your product to scan, print or otherwise reproduce any particular document, and/or of the use of the images scanned, printed or otherwise reproduced, you should consult in advance with your legal advisor for guidance.

- Paper Money
- Travelers Checks
- Money Orders
- Food Stamps
- Certificates of Deposit
- Passports
- Postage Stamps (canceled or uncanceled)
- Immigration Papers
- Identifying Badges or Insignias
- Internal Revenue Stamps (canceled or uncanceled)
- Selective Service or Draft Papers
- Bonds or Other Certificates of Indebtedness
- Checks or Drafts Issued by Governmental Agencies
- Stock Certificates
- Motor Vehicle Licenses and Certificates of Title
- Copyrighted Works/Works of Art without Permission of Copyright Owner

Users in the U.S.A.

Preinstallation Requirements for Canon Facsimile Equipment

A. Location

Supply a suitable table, cabinet, or desk for the machine. See "Specifications" in this guide for specific dimensions and weight.

B. Order Information

1. A single telephone line (touch-tone or rotary) should be used.
2. Order an RJ11-C telephone wall jack (USOC), which should be installed by the telephone company. If the RJ11-C wall jack is not present, telephone/facsimile operation is not possible.
3. Order a normal business line from your telephone company's business representative. The line should be a regular voice grade line or an equivalent one. Use one line per unit.

DDD (Direct Distance Dial) line

-or-

IDDD (International Direct Distance Dial) line if you communicate overseas

NOTE

Canon recommends an individual line following industry standards, i.e., 2500 (touch-tone) or 500 (rotary/pulse dial) telephones. A dedicated extension off a PBX (Private Branch eXchange) unit without "Call Waiting" can be used with your facsimile unit. Key telephone systems are not recommended because they send nonstandard signals to individual telephones for ringing and special codes, which may cause a facsimile error.

C. Power Requirements

The machine should be connected to a standard 120 volt AC, three-wire grounded outlet only.

Do not connect this machine to an outlet or power line shared with other appliances that cause "electrical noise." Air conditioners, electric typewriters, copiers, and machines of this sort generate electrical noise that often interferes with communications equipment and the sending and receiving of documents.

Connection of the Equipment

This equipment complies with Part 68 of the FCC rules and the requirements adopted by the ACTA. On the rear panel of this equipment is a label that contains, among other information, a product identifier in the format of US:AAAEQ##TXXXX. If requested, this number must be provided to the telephone company.

The REN (Ringer Equivalence Number) is used to determine the number of devices that may be connected to a telephone line. Excessive RENs on a telephone line may result in the devices not ringing in response to an incoming call. In most, but not all areas, the sum of the RENs should not exceed five (5.0). To be certain of the number of devices that may be connected to a line, as determined by the total RENs, contact the local telephone company. The REN for this product is part of the product identifier that has the format US:AAAEQ##TXXXX. The digits represented by ## are the REN without a decimal point (e.g., 10 is a REN of 1.0).

An FCC compliant telephone line cable and modular plug is provided with this equipment. This equipment is designed to be connected to the telephone network or premise wiring using a compatible modular jack that is Part 68 compliant.

This equipment may not be used on coin service provided by the telephone company. Connection to party lines is subject to state tariffs.

In Case of Equipment Malfunction

Should any malfunction occur which cannot be corrected by the procedures described in the e-Manual, disconnect the equipment from the telephone line cable and disconnect the power cord. The telephone line cable should not be reconnected or the main power switch turned ON until the problem is completely resolved. Users should contact their local authorized Canon Facsimile Service Dealer for the servicing of equipment.

If your equipment malfunctions, please contact your local authorized Canon dealer from whom you purchased the equipment (if under warranty), or with whom you have a servicing contract. If you are not sure who to contact, and have both purchased and are using the equipment in the U.S.A., please refer to the "SUPPORT" page on Canon U.S.A.'s Web site (<http://www.usa.canon.com>).

Rights of the Telephone Company

If this equipment imageRUNNER ADVANCE C350iF/C250iF causes harm to the telephone network, the telephone company may temporarily disconnect service. The telephone company also retains the right to make changes in facilities and services that may affect the operation of this equipment. When such changes are necessary, the telephone company is required to give adequate prior notice to the user. However, if advance notice is not possible, the telephone company will notify the customer as soon as possible. Also, the customer will be advised of his/her right to file a complaint with the FCC if he/she believes it is necessary.

WARNING

The Telephone Consumer Protection Act of 1991 makes it unlawful for any person to use a computer or other electronic device to send any message via a telephone facsimile machine unless such message clearly contains in a margin at the top or bottom of each transmitted page, or on the first page of the transmission, the date and time it is sent and an identification of the business or other entity, or other individual sending the message and the telephone number of the sending machine or such business, other entity, or individual. (The telephone number provided may not be a 900 number or any other number for which charges exceed local or long-distance transmission charges.)

NOTE

To program this information into your machine, complete the procedure for registering your name, unit's telephone number, time, and date as described in Basic Operations or Settings/Registration in the e-Manual.

Users in Canada

Preinstallation Requirements for Canon Facsimile Equipment

A. Location

Supply a suitable table, cabinet, or desk for the machine. See "Specifications" in this guide for specific dimensions and weight.

B. Order Information

1. A single telephone line (touch-tone or rotary) should be used.
2. Order a CA11A modular jack which should be installed by the telephone company. If the CA11A jack is not present, installation cannot occur.
3. Order a normal business line from your telephone company's business representative. The line should be a regular voice grade line or an equivalent one. Use one line per unit.

DDD (Direct Distance Dial) line

or

IDDD (International Direct Distance Dial) line if you communicate overseas

NOTE

Canon recommends an individual line following industry standards, i.e., 2500 (touch-tone) or 500 (rotary/pulse dial) telephones. A dedicated extension off a PBX (Private Branch eXchange) unit without "Call Waiting" can be used with your facsimile unit. Key telephone systems are not recommended because they send nonstandard signals to individual telephones for ringing and special codes, which may cause a facsimile error.

C. Power Requirements

The power outlet should be a three-prong grounded receptacle (Single or Duplex). It should be independent from copiers, heaters, air conditioners, or any electric equipment that is thermostatically controlled. The rated value is 115 volts and 15 amperes. The CA11A modular jack should be relatively close to the power outlet to facilitate installation.

Notice

- This product meets the applicable Industry Canada technical specifications.
- Before installing this equipment, users should ensure that it is permissible to be connected to the facilities of the local telecommunications company. The equipment must also be installed using an acceptable method of connection. In some cases, the company's inside wiring associated with a single line individual service may be extended by means of a certified connector assembly (telephone extension cord). The customer should be aware that compliance with the above conditions may not prevent deterioration of service in some situations.
- The Ringer Equivalence Number is an indication of the maximum number of devices allowed to be connected to a telephone interface. The termination of an interface may consist of any combination of devices subject only to the requirement that the sum of the RENs of all the devices does not exceed five.
- The REN of this product is 1.0.
- Repairs to certified equipment should be made by an authorized Canadian maintenance facility designated by the supplier. Any repairs or alterations made by the user to this equipment, or equipment malfunctions, may give the telecommunications company cause to request the user to disconnect the equipment.
- Users should ensure for their own protection that the electrical ground connections of the power utility, telephone lines, and internal metallic water pipe system, if present, are connected together. This precaution may be particularly important in rural areas.

CAUTION

Users should not attempt to make such connections themselves, but should contact the appropriate electric inspection authority, or electrician, as appropriate.

NOTE

This equipment complies with the Canadian ICES-003 Class B limits.

Utilisation au Canada

Conditions à Remplir Préalablement à L'installation d'un Télécopieur Canon

A. Emplacement

Prévoir une table, un meuble, ou un bureau suffisamment solide et de taille appropriée (voir "Spécifications" pour les indications de poids et dimensions).

B. Installation téléphonique

1. Une seule ligne téléphonique (tonalités ou impulsions) doit être utilisée.
2. Il faut commander un jack modulaire CA11A qui sera installé par la compagnie téléphonique. Sans ce jack, la mise en place serait impossible.
3. Si vous vous abonnez à une nouvelle ligne, demandez une ligne d'affaires normale de qualité téléphonique courante ou équivalente. Prenez un abonnement d'une ligne par appareil.

Ligne automatique interurbaine

ou

Ligne automatique international
(si vous communiquez avec les pays étrangers)

NOTE

Canon vous conseille d'utiliser une ligne individuelle conforme aux normes industrielles, à savoir: ligne téléphonique 2500 (pour appareil à clavier) ou 500 (pour appareil à cadran/impulsions). Il est également possible de raccorder ce télécopieur à un système téléphonique à poussoirs car la plupart de ces systèmes émettent des signaux d'appel non normalisés ou des codes spéciaux qui risquent de perturber le fonctionnement du télécopieur.

C. Condition d'alimentation

Raccordez le télécopieur à une prise de courant plus terre à trois branches, du type simple ou double, et qui ne sert pas à alimenter un copieur, un appareil de chauffage, un climatiseur ou tout autre appareil électrique à thermostat. L'alimentation doit être de 115 volts et 15 ampères. Pour faciliter l'installation, le jack CA11A doit être assez proche de la prise de courant.

Remarques

- Le présent matériel est conforme aux spécifications techniques applicables d'Industrie Canada.
- Avant d'installer cet appareil, l'utilisateur doit s'assurer qu'il est permis de le connecter à l'équipement de la compagnie de télécommunication locale et doit installer cet appareil en utilisant une méthode de connexion autorisée. Il se peut qu'il faille étendre la circuiterie intérieure de la ligne individuelle d'abonné, qui a été installée par la compagnie, au moyen d'un jeu de connecteurs homologués (rallonge téléphonique).
- L'attention de l'utilisateur est attirée sur le fait que le respect des conditions mentionnées ci-dessus ne constitue pas une garantie contre les dégradations de qualité du service dans certaines circonstances.
- L'indice d'équivalence de la sonnerie (IES) sert à indiquer le nombre maximal de terminaux qui peuvent être raccordés à une interface téléphonique. La terminaison d'une interface peut consister en une combinaison quelconque de dispositifs, à la seule condition que la somme d'indices d'équivalence de la sonnerie de tous les dispositifs n'excède pas 5.
- Le nombre d'équivalents sonnerie (REN) de ce produit est 1.0.
- Les réparations sur un appareil certifié doivent être faites par une société d'entretien canadienne autorisée par le Gouvernement canadien et désignée par le fournisseur. Toute réparation ou modification que pourrait faire l'utilisateur de cet appareil, ou tout mauvais fonctionnement, donne à la compagnie de télécommunication le droit de débrancher l'appareil.
- Pour sa propre protection, l'utilisateur doit s'assurer que les prises de terre de l'appareil d'alimentation, les lignes téléphoniques et les tuyaux métalliques internes, s'il y en a, sont bien connectés entre eux. Cette précaution est particulièrement importante dans les zones rurales.

CAUTION

Au lieu d'essayer de faire ces branchements eux-mêmes, les utilisateurs sont invités à faire appel à un service d'inspection faisant autorité en matière d'électricité ou à un électricien, selon le cas.

NOTE

Respecte les limites de la classe B de la NMB-003 du Canada.

Super G3



Super G3 is a phrase used to describe the new generation of fax machines that use ITU-T V.34 standard 33.6 Kbps* modems.

Super G3 High Speed Fax machines allow transmission times of approximately 3 seconds* per page which results in reduced telephone line charges.

* Approximately 3 seconds per page fax transmission time based on CCITT/ITU-T No.1 Chart, (JBIG, Standard Mode) at 33.6 Kbps modem speed. The Public Switched Telephone Network (PSTN) currently supports 28.8 Kbps modem speeds or slower, depending on telephone line conditions.

Important Safety Instructions

Please read these "Important Safety Instructions" thoroughly before operating the machine. As these instructions are intended to prevent injury to the user or other persons or destruction of property, always pay attention to these instructions. Also, since it may result in unexpected accidents or injuries, do not perform any operation unless otherwise specified in the manual. Improper operation or use of this machine could result in personal injury and/or damage requiring extensive repair that may not be covered under your Limited Warranty.

Installation

WARNING

- Never block the ventilation slots and louvers on the machine. These openings are provided for proper ventilation of working parts inside the machine. Blocking these openings can cause the machine to overheat. Never place the machine on a soft surface, such as a sofa or rug.
- Do not install the machine in the following locations:
 - A damp or dusty location
 - A location near water faucets or water
 - A location exposed to direct sunlight
 - A location subject to high temperatures
 - A location near open flames
- Do not install the machine near alcohol, paint thinner, or other flammable substances. If flammable substances come into contact with electrical parts inside the machine, it may result in a fire or electrical shock.
- Do not place the following items on the machine. If these items come into contact with a high-voltage area inside the machine, it may result in a fire or electrical shock.
If these items are dropped or spilled inside the machine, immediately turn OFF the main power switch, and disconnect the power cord from the power outlet. Then, contact your local authorized Canon dealer.
 - Necklaces and other metal objects
 - Cups, vases, flowerpots, and other containers filled with water or liquids

CAUTION

Do not install the machine in unstable locations, such as unsteady platforms or inclined floors, or in locations subject to excessive vibrations, as this may cause the machine to fall or tip over, resulting in personal injury.

Power Supply

WARNING

- Do not damage or modify the power cord. Also, do not place heavy objects on the power cord, or pull on or excessively bend it, as this could cause electrical damage and result in a fire or electrical shock.
- Keep the power cord away from a heat source; failure to do this may cause the power cord coating to melt, resulting in a fire or electrical shock.
- Do not connect or disconnect the power cord with wet hands, as this may result in electrical shock.
- Do not connect the power cord to a multiplug power strip, as this may cause a fire or electrical shock.
- Do not bundle up or tie the power cord in a knot, as this may result in a fire or electrical shock.
- Insert the power plug completely into the power outlet, as failure to do so may result in a fire or electrical shock.
- Do not use power cords other than the power cord provided, as this may result in a fire or electrical shock.
- As a general rule, do not use extension cords. Using an extension cord may result in a fire or electrical shock.
- Do not use power supplies with voltages other than those specified herein, as this may result in a fire or electrical shock.
- Always grasp the power plug when disconnecting the power cord. Pulling on the power cord may expose or snap the core wire, or otherwise damage the power cord. If the power cord is damaged, this could cause current to leak, resulting in a fire or electrical shock.

IMPORTANT

Leave sufficient space around the power plug so that it can be unplugged easily. If objects are placed around the power plug, you will be unable to unplug it in an emergency.

Handling

WARNING

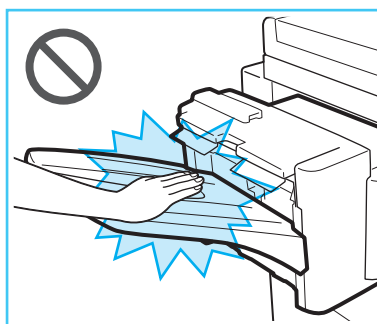
- Do not attempt to disassemble or modify the machine. There are high-temperature and high-voltage components inside the machine which may result in a fire or electrical shock.
- If the machine makes strange noises, or gives off smoke, heat, or strange smells, immediately turn OFF the main power switch, and disconnect the power cord from the power outlet. Then, contact your local authorized Canon dealer. Continued use of the machine in this condition may result in a fire or electrical shock.
- Do not use highly flammable sprays near the machine. If gas from these sprays comes into contact with the electrical components inside the machine, it may result in a fire or electrical shock.
- To avoid damage to the power cord and creating a fire hazard, always turn OFF the main power switch, and unplug the interface cable when moving the machine. Otherwise, the power cord or interface cable may be damaged, resulting in a fire or electrical shock.
- Make sure that the power plug is firmly inserted into the power outlet if the machine was moved. Do not use the machine while the connection is loose, as doing so may cause a fire.
- Do not drop paper clips, staples, or other metal objects inside the machine. Also, do not spill water, liquids, or flammable substances (alcohol, benzene, paint thinner, etc.) inside the machine. If these items come into contact with a high-voltage area inside the machine, it may result in a fire or electrical shock. If these items are dropped or spilled inside the machine, immediately turn OFF the main power switch, and disconnect the power cord from the power outlet. Then, contact your local authorized Canon dealer.
- Do not use this product for uses other than as a color digital multitasking machine.

CAUTION

- Do not place heavy objects on the machine, as they may tip over or fall resulting in personal injury.
- Close the feeder gently to avoid catching your hands, as this may result in personal injury.



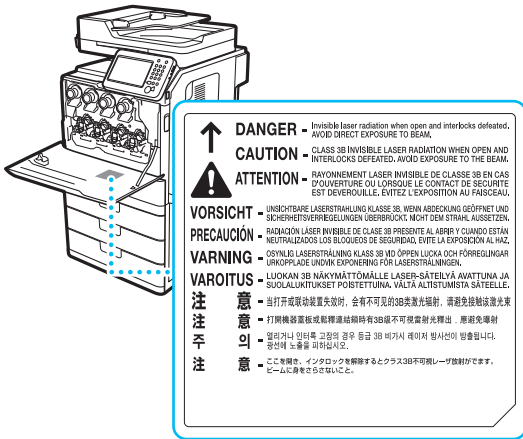
- Do not press down hard on the feeder when using the platen glass to make copies of thick books. Doing so may damage the platen glass and result in personal injury.
- Do not touch the finisher while the machine is printing, as this may result in personal injury.
- Paper that has just been output from the machine may be hot. Be careful when removing or aligning paper from the output tray. Touching paper right after it is output may result in low-temperature burns.
- Do not place your hands, hair, clothing, etc., near the exit and feed rollers. Even if the machine is not in operation, your hands, hair, or clothing may get caught in the rollers, which may result in personal injury or damage if the machine suddenly starts printing.
- Do not place your hands in the part of the tray where stapling is performed (near the rollers) when a finisher is attached, as this may result in personal injury.



Staple Finisher-S1

- Do not insert your hand into the machine while the paper drawer is removed, as this may result in personal injury.

- The laser beam can be harmful to human bodies. Since radiation emitted inside the product is completely confined within protective housings and external covers, the laser beam cannot escape from the machine during any phase of user operation. Read the following remarks and instructions for safety.
 - Never open covers other than those instructed in the manuals for this machine.
 - Do not remove the following caution label which is attached to the machine. If the label has been removed, contact your local authorized Canon dealer.



- If the laser beam escapes from the machine, exposure may cause serious damage to your eyes.
- Controlling, adjusting, or operating the machine in ways not mentioned in the manuals for this machine may cause dangerous radiation to escape from the machine.

IMPORTANT

Press (Energy Saver) for safety when the machine will not be used for a long period of time, such as overnight. Also, turn OFF the main power switch, and disconnect the power cord for safety when the machine will not be used for an extended period of time, such as during consecutive holidays.

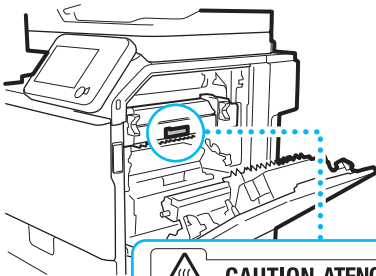
Maintenance and Inspections

WARNING

- When cleaning the machine, first turn OFF the main power switch, then disconnect the power cord. Failure to observe these steps may result in a fire or electrical shock.
- Unplug the power plug periodically and clean with a dry cloth to remove dust and grime. Accumulated dust may absorb humidity in the air and may result in a fire if it comes into contact with electricity.
- Clean the machine using a slightly dampened cloth with a mild detergent mixed with water. Do not use alcohol, benzene, paint thinner, or other flammable substances. Check detergent for flammability prior to use. If flammable substances come into contact with a high-voltage area inside the machine, it may result in a fire or electrical shock.
- There are some areas inside the machine which are subject to high-voltages. When removing jammed paper or when inspecting the inside of the machine, do not allow necklaces, bracelets, or other metal objects to touch the inside of the machine, as this may result in burns or electrical shock.
- Do not burn or throw used toner cartridges into open flames, as this may cause the toner remaining inside the cartridges to ignite, resulting in burns or a fire.
- Make sure that the power plug is firmly inserted into the power outlet after cleaning the machine. Do not use the machine while the connection is loose, as doing so may cause a fire.
- Check the power cord and power plug regularly. If the following conditions occur, contact your local authorized Canon dealer, as the condition may cause a fire:
 - There are burn marks on the power plug.
 - The blade on the power plug is deformed or broken.
 - The power goes OFF and ON when the power cord is bent.
 - There are cuts, cracks, or indentations on the power cord.
 - A part of the power cord becomes hot.
- Check the power cord and power plug regularly to make sure that they are not handled in the following manner, as this may result in a fire or electrical shock:
 - The connection part of the power plug is loose.
 - Stress is being applied to the power cord by a heavy object or by affixing it with staples.
 - The power plug is loose.
 - The power cord is tied in a bundle.
 - The power cord protrudes into a walkway.
 - The power cord is in front of a heater.

CAUTION

- The fixing unit and its surroundings inside the machine may become hot during use. When removing jammed paper or when inspecting the inside of the machine, do not touch the fixing unit and its surroundings, as doing so may result in burns or electrical shock.
- When removing jammed paper or when inspecting the inside of the machine, do not expose yourself to the heat emitted from the fixing unit and its surroundings for a prolonged period of time. Doing so may result in low temperature burns, even though you did not touch the fixing unit and its surroundings directly.
- There are high-temperature and high-voltage components inside the machine. Touching them may result in personal injury or burns. Do not touch the internal parts of the machine which are not instructed to in the manuals for the machine.



 **CAUTION** **ATENCIÓN** **注意**
ATTENTION **ATTENZIONE** **주의**
VORSICHT **CUIDADO** **注意**

Consumables

WARNING

- Do not burn or throw used toner cartridges into open flames, as this may cause the toner remaining inside the cartridges to ignite, resulting in burns or a fire.
- Do not store toner cartridges or copy paper in places exposed to open flames, as this may cause the toner or paper to ignite, resulting in burns or a fire.
- If you accidentally spill or scatter toner, carefully wipe up the loose toner with a damp, soft cloth and avoid inhaling any toner dust. Do not use a vacuum cleaner that is not equipped with safety measures to prevent dust explosions to clean up loose toner. Doing so may cause damage to the vacuum cleaner or result in a dust explosion due to static discharge.
- For cardiac pacemaker users:
This drum unit emits low level magnetic flux. If you use a cardiac pacemaker and feel abnormalities, please move away from the drum unit, and consult a physician.

CAUTION

- Keep toner and other consumables out of the reach of small children. If these items are ingested, consult a physician immediately.
- Do not dismantle the toner cartridge, as doing so may cause toner to fly out and enter your eyes or mouth. If toner gets into your eyes or mouth, wash them immediately with cold water and immediately consult a physician.
- If toner escapes from the toner cartridge, make sure not to ingest the toner or allow it to directly touch your skin. If toner touches your skin, wash it away with soap and water. If your skin still feels irritated after washing it, or you ingest toner, consult a doctor immediately.

Telephone Equipment

WARNING

When using telephone equipment incorporated into this machine, basic safety precautions should always be followed to reduce the risk of fire, electrical shock, or injury to persons, including the following:

1. Do not use this machine where there is a potential for contact with water or other liquid.
2. Do not use the telephone equipment during an electrical storm, as there may be a remote risk of electrical shock from lightning.
3. Do not use the telephone equipment to report a gas leak in the vicinity of the leak.

Other Warnings

WARNING

For cardiac pacemaker users:

This product emits low level magnetic flux. If you use a cardiac pacemaker and feel abnormalities, please move away from the product and consult your doctor.

CANON imageRUNNER ADVANCE C350iF/C250iF SERIES LIMITED WARRANTY

Canon U.S.A., Inc. or Canon Canada Inc. (as applicable, "Canon") warrants the imageRUNNER ADVANCE C350iF/C250iF Series product and Canon brand options designed for use with the imageRUNNER product (collectively the "Product") to be free from defects in workmanship and materials under normal use and service for a period of 90 days after delivery to the original purchaser ("Purchaser") or 30,000 prints or copies (or a combination of both), whichever comes first. During such warranty period, Canon shall replace, without charge, any defective part with a new or comparable rebuilt part. This warranty shall not extend to consumables such as paper, chemicals, and toner as to which there shall be no warranty or replacement. Warranty replacement shall not extend the original warranty period of the Product.

This limited warranty shall only apply if the Product is used in conjunction with compatible computers, peripheral equipment and software. Canon shall have no responsibility for such items except for compatible Canon brand peripheral equipment covered by a separate warranty ("Separate Warranty"). Repairs of such Canon brand peripheral equipment shall be governed by the terms of the Separate Warranty. Non-Canon brand equipment that may be distributed with the Product is sold "AS IS" and without warranty of any kind by Canon, including any implied warranty regarding merchantability or fitness for a particular purpose, and all such warranties are disclaimed. The sole warranty, if any, with respect to such non-Canon brand items is given by the supplier or producer thereof. For further information on software, see below.

This warranty shall be void and of no force and effect if the Product is damaged as a result of (a) abuse, neglect, mishandling, alteration, electric current fluctuation or accident, (b) improper use, including failure to follow operating or maintenance instructions or environmental conditions prescribed in Canon's operator's manual or other documentation, (c) installation or repair by other than authorized service representatives qualified by Canon who are acting in accordance with Canon's service bulletins, (d) use of supplies or parts (other than those distributed by Canon) which damage the Product or cause abnormally frequent service calls or service problems, or (e) use of the Product with non-compatible computers, peripheral equipment or software, including the use of the Product in any system configuration not recommended in any manual distributed with the Product. Nor does this warranty extend to any Product on which the original identification marks or serial numbers have been defaced, removed, or altered.

ANY SOFTWARE THAT IS DISTRIBUTED WITH THE PRODUCT AND HAS AN ASSOCIATED END USER AGREEMENT IS LICENSED, WARRANTED AND PROVIDED ACCORDING TO THE TERMS OF THAT AGREEMENT, INCLUDING ANY LIMITATIONS AND DISCLAIMERS THEREIN. SUCH SOFTWARE IS SOLD WITHOUT WARRANTY OF ANY KIND BY CANON. PLEASE CONTACT CANON IMMEDIATELY IF YOU HAVE NOT RECEIVED A COPY OF THE SOFTWARE SUPPLIER'S END USER AGREEMENT. CANON RECOMMENDS THAT DATA STORED ON THE PRODUCT'S HARD DISK DRIVE BE DUPLICATED OR BACKED UP TO PREVENT ITS LOSS IN THE EVENT OF FAILURE OR OTHER MALFUNCTION OF THE HARD DISK DRIVE.

THE ABOVE WARRANTIES ARE IN LIEU OF ALL OTHER WARRANTIES AND CONDITIONS, EXPRESS OR IMPLIED, INCLUDING ANY IMPLIED WARRANTIES AND CONDITIONS REGARDING MERCHANTABILITY OR FITNESS FOR A PARTICULAR PURPOSE, RELATING TO THE USE OR PERFORMANCE OF A PRODUCT OR ANY ASSOCIATED COMPONENT, AND ALL SUCH OTHER WARRANTIES AND CONDITIONS ARE DISCLAIMED. NO OTHER EXPRESS WARRANTY, CONDITION OR GUARANTY, EXCEPT AS MENTIONED ABOVE, GIVEN BY ANY PERSON, FIRM OR CORPORATION WITH RESPECT TO THE PRODUCT SHALL BIND CANON ANY SUPPLIER OR ANY AUTHORIZED SERVICE PROVIDER. NO WARRANTY IS GIVEN ON ANY USED PRODUCT.

NEITHER CANON OR ITS SUPPLIERS NOR ANY AUTHORIZED SERVICE PROVIDER SHALL BE LIABLE FOR PERSONAL INJURY OR PROPERTY DAMAGE (UNLESS CAUSED SOLELY AND DIRECTLY BY THE NEGLIGENCE OF CANON OR ANY AUTHORIZED SERVICE PROVIDER), LOSS OF REVENUE OR PROFIT, FAILURE TO REALIZE SAVINGS OR OTHER BENEFITS, EXPENDITURES FOR SUBSTITUTE EQUIPMENT OR SERVICES, LOSS OR CORRUPTION OF DATA, INCLUDING, WITHOUT LIMITATION, DATA STORED ON THE PRODUCT'S HARD DISK DRIVE, STORAGE CHARGES OR OTHER SPECIAL, INCIDENTAL OR CONSEQUENTIAL DAMAGES CAUSED BY THE USE, MISUSE OR INABILITY TO USE THE PRODUCT, REGARDLESS OF THE LEGAL THEORY ON WHICH THE CLAIM IS BASED AND EVEN IF CANON OR ITS SUPPLIERS OR ANY AUTHORIZED SERVICE PROVIDER HAS BEEN ADVISED OF THE POSSIBILITY OF SUCH DAMAGES. NOR SHALL RECOVERY OF ANY KIND AGAINST CANON OR ITS SUPPLIERS OR ANY AUTHORIZED SERVICE PROVIDER BE GREATER IN AMOUNT THAN THE PURCHASE PRICE OF THE PRODUCT CAUSING THE ALLEGED DAMAGE. WITHOUT LIMITING THE FOREGOING, THE PURCHASER ASSUMES ALL RISKS AND LIABILITY FOR LOSS, DAMAGE OR INJURY TO PERSONS AND PROPERTY OF THE PURCHASER OR OTHERS ARISING OUT OF THE POSSESSION, USE, MISUSE, OR INABILITY TO USE THE PRODUCT NOT CAUSED SOLELY AND DIRECTLY BY THE NEGLIGENCE OF CANON OR ANY AUTHORIZED SERVICE PROVIDER. THIS WARRANTY SHALL NOT EXTEND TO ANYONE OTHER THAN THE ORIGINAL PURCHASER OF THE PRODUCT AND STATES SUCH PURCHASER'S EXCLUSIVE REMEDY.

CONDITIONS OF WARRANTY

Defective parts must be returned to Canon or an Authorized Service Provider with all necessary documentation and will become the property of Canon.

THIS WARRANTY APPLIES TO PRODUCTS SOLD AND USED IN THE U.S.A. AND CANADA ONLY.

TERMS OF imageWARE REMOTE SERVICE

If your Canon Office Imaging Product ("Product") is enabled with embedded functions for the imageWARE Remote Diagnostic Service ("IWR"), or your Product is not IWR enabled but it interacts with the IWR Plug-in program of imageWARE Enterprise Management Console ("EMC") software, then Canon USA, Canon Canada or their respective authorized independent Canon retail dealers can access Product meter readings and receive notifications of certain service errors automatically via the internet. You can read more about IWR in Canon published materials available from your dealer or on the web sites of Canon USA [www.usa.canon.com] or Canon Canada [www.canon.ca.]. IWR will only collect and transmit Product specific meter readings and service data, and will not access, collect or transmit End-User image data in the Product.

Your instruction to Canon USA, Canon Canada or your dealer to activate IWR for a Product shall be considered (i) a representation that you have an internal IP network and internet access available on a generally continuous basis; (ii) authorization by you to establish, and perform during the period of IWR activation, HTTPS communications using your network bandwidth for transmissions over the internet of use and service data accumulated by the Product, and (iii) authorization by you to store, analyze and use this data for purposes related to servicing the Product and for Product and IWR improvement.

By so instructing Canon USA, Canon Canada or your dealer, you shall also be considered to acknowledge that (A) the IWR software (embedded or plug-in) is the confidential property of Canon USA and its licensor; (B) you have no rights in such IWR software (except as the Product executes the limited data collection and transmission functions for which it is configured when delivered and you obtain the benefits of IWR as outlined in Canon published materials), (C) you shall not disassemble, decompile, reverse engineer, disclose or attempt to copy such IWR software, allow any third party to do any of the foregoing or transfer your limited rights to any other party without the prior written approval of Canon USA or Canon Canada; and (D) there are many factors outside of the control of Canon USA, Canon Canada or their respective dealers that could affect the accuracy or timing of meter readings or service data harvested by IWR and, except as expressly provided in the limited warranty statement for the Product or the End-User License Agreement for EMC software, in the case of the IWR Plug-in program, neither Canon USA, Canon Canada nor their respective dealers shall be responsible for alleged deficiencies in, or your dissatisfaction with, IWR or any software used to provide IWR. A copy of the limited warranty statement can be found within this Operator's Manual.

If your dealer ceases to be an authorized Canon USA dealer, it will no longer have access to the use and service data accumulated by IWR for your Product. In that case, you may request or instruct Canon USA to recommend to you an alternative service provider who will have access to this data in order to maintain Product service utilizing IWR functionality.

TERMS OF Content Delivery System

If the Content Delivery System (CDS) Service is enabled for your Canon Office Imaging Product ("Product"), Canon USA, Canon Canada or their respective authorized independent Canon retail dealers (each a "Canon Seller") can arrange internet-based downloads for purposes of updating firmware, delivering purchased MEAP application software and activation of optional Product features. Certain related data files also may be downloaded (e.g. End-User License Agreements, conditions of export, Release Notes) to your Product. The internet communications will occur between the Product and one or more servers managed by Canon Inc. ("Canon Server"). CDS Service will not download the firmware, software or data files for purposes other than mentioned above.

You can read more about CDS Service in Canon published materials available from your dealer or on the web sites of Canon USA [www.usa.canon.com] or Canon Canada [www.canon.ca]. These materials include a Technology White Paper for the CDS Service.

Your instruction to Canon USA, Canon Canada or your dealer to use CDS Service or your use of CDS Service for a Product shall be considered

- (i) a representation that you have an internal IP network and internet access available to Products connected to that network on a generally continuous basis;
- (ii) a representation that you have an internet connection and internal network bandwidth available for the Canon Server to download files to each of the Products receiving the CDS Service. Downloaded files may vary in size; some will be on the order of several hundred MB. The CDS Service Technology White Paper contains further details.
- (iii) authorization by you for the Canon Seller to establish, and perform during the period of provision of Service, HTTPS/HTTP communications using your internet and internal network bandwidth for transmissions to and from the CDS Server;
- (iv) authorization by you for the Product itself or a Canon serviceperson to download or update firmware and purchased MEAP application software, data for internet-based activation of optional Product features and certain related data files to Product from the CDS Server, and to transmit service data (e.g. serial number, information of firmware) of Product to the CDS Server.

You acknowledge and agree that the Canon Seller and CDS Server may rely on internet addresses you assign to Products and that using the internet has benefits but also certain risks; ACCORDINGLY, YOU AGREE THAT THE CDS SERVICE IS PROVIDED WITHOUT WARRANTY OF ANY KIND, THAT ANY WARRANTIES ARE DISCLAIMED AND THAT NO CANON SELLER OR CANON AFFILIATE IS RESPONSIBLE FOR ANY INJURY TO YOUR NETWORK OR TO DATA OR DEVICES NOT SUPPLIED BY A CANON SELLER. You will be responsible for network security and any data back-up. You will timely advise the Canon Seller of any security procedures the Canon Seller will need to use to provide CDS Services as described herein.

To the extent downloads involve presenting end user license terms on your network or network-connected Products (with a Canon Seller, Canon affiliate or a third party as licensor) seeking agreement to such terms, any party that you allow to respond to presented license terms will be and is authorized by you to agree (or not agree) to the terms; if license terms are not agreed, a license purchased will not be enabled and you may apply for refund of any license fees paid.

You acknowledge and agree that the firmware provided by the CDS Service is governed by the Third Party Software terms set forth in this manual.

Canon

CANON INC.

30-2, Shimomaruko 3-chome, Ohta-ku, Tokyo 146-8501, Japan

CANON U.S.A., INC.

One Canon Park, Melville, NY 11747, U.S.A.

CANON CANADA INC.

6390 Dixie Road Mississauga, Ontario L5T 1P7, Canada

CANON EUROPA N.V.

Bovenkerkerweg 59, 1185 XB Amstelveen, The Netherlands
(See <http://www.canon-europe.com/> for details on your regional dealer)

CANON LATIN AMERICA, INC.

One Canon Park, Melville, NY 11747, U.S.A.

CANON AUSTRALIA PTY. LTD

1 Thomas Holt Drive, North Ryde, Sydney, N.S.W. 2113, Australia

CANON CHINA CO., LTD

15F Jinbao Building No.89 Jinbao Street, Dongcheng District, Beijing 100005, China

CANON SINGAPORE PTE. LTD.

1 HarbourFront Avenue #04-01 Keppel Bay Tower, Singapore 098632

CANON HONGKONG CO., LTD

19/F., The Metropolis Tower, 10 Metropolis Drive, Hunghom, Kowloon, Hong Kong

