

Canon

imageRUNNER

ADVANCE

C9280 PRO/C9270 PRO

C7270/C7260

Before Using This Machine



Read this guide first.

Please read this guide before operating this product.

After you finish reading this guide, store it in a safe place for future reference.

ENG

Manuals for the Machine

The manuals for this machine are divided as follows. Please refer to them for detailed information.



Guides with this symbol are printed manuals.



Guides with this symbol are included on the accompanying CD-ROM.

Before Using This Machine (This Manual)

- Describes precautions for using the machine.
- Includes the specifications of the machine.



Setup Guide

- Describes the settings required before using functions, such as the network settings for sending e-mail.
- Describes how to add applications and update the firmware.



Basic Operation Guide

- Provides an overview of the functions and describes the basic operations.
- Describes the maintenance and troubleshooting procedures for the machine.



e-Manual

HTML manual

- Describes all the functions of the machine. Also provided with a search function that is useful for finding and checking information.
- Includes "Practical Workflows," which introduces flows of practical operations using functions of the machine.



Driver Installation Guide

- Provides instructions on installing the printer, fax, and other drivers.
 - Printer Driver Installation Guide
 - Mac Printer Driver Installation Guide
 - Fax Driver Installation Guide
 - Network ScanGear Installation Guide
- Included on the same CD-ROM as each driver.



Contents

Preface	3
How To Use This Manual	3
Symbols Used in This Manual	3
Keys and Buttons Used in This Manual	3
Illustrations Used in This Manual	4
Abbreviations Used in This Manual	4
Trademarks	5
Operations and Terms Used in This Manual	7
Legal Notices	8
Product Name	8
FCC (Federal Communications Commission)	8
Laser Safety	8
International ENERGY STAR Program	9
IPv6 Ready Logo	9
Information Security Standard (IEEE 2600)	9
Copyright	9
Third Party Software	10
The Software Subjected to Other Conditions	10
Disclaimers	10
Legal Limitations on the Usage of Your Product and the Use of Images	11
Users in the U.S.A.	12
Users in Canada	13
Utilisation au Canada	14
Super G3	15
Important Safety Instructions	16
Installation	16
Power Supply	17
Handling	17
Maintenance and Inspections	20
Consumables	22
Telephone Equipment	22
Other Warnings	22
Periodic Inspection of the Breaker	23
Checking the Breaker	23
Check Sheet for the Periodic Inspection of the Breaker	26
Installation Location and Handling	27
Installation Precautions	27
Avoid Installing the Machine in the Following Locations	27
Select a Safe Power Supply	28
Moving the Machine	29
Provide Adequate Installation Space	29
Handling Precautions	32

Backing Up/Exporting Data	34
Parts and Their Functions	36
External View	36
For the imageRUNNER ADVANCE C9280 PRO/C9270 PRO	36
For the imageRUNNER ADVANCE C7270/C7260	36
Internal View	38
Control Panel Parts and Functions	39
Upright Control Panel	39
Control Panel (Flat)	41
Main Power and Energy Saver Key	43
How to Turn ON the Main Power	43
Energy Saver Key	45
Shutting Down the Machine	46
Specifications	47
Main Unit	47
Duplex Color Image Reader Unit-F1	50
Paper Deck Unit-C1	51
POD Deck Lite-A1	51
Multi-drawer Paper Deck-A1	52
Document Insertion Unit-H1	52
Document Insertion/Folding Unit-G1	53
Paper Folding Unit-G1	54
Document Insertion Unit-J1	55
Copy Tray-P1	55
Staple Finisher-K1	56
Staple Finisher-L1	58
Booklet Finisher-K1	59
Booklet Finisher-L1	61
Puncher Unit-BF1	63
External 2/3 Hole Puncher-A1	63
Professional Puncher Integration Unit-B1	64
Copy Card Reader-F1	64
Inner Booklet Trimmer-A1	64
Super G3 FAX Board-AD2	65
Send Function	66
Network Environment	67
Hardware Specifications	67
Software Specifications	67
Printer Settings	67
Software Specifications	67
CANON imageRUNNER ADVANCE C9280 PRO/C9270 PRO SERIES LIMITED WARRANTY	68
CANON imageRUNNER ADVANCE C7270/C7260 SERIES LIMITED WARRANTY	69
TERMS OF imageWARE REMOTE SERVICE	70
TERMS OF Content Delivery System	71

Preface

Thank you for purchasing the Canon imageRUNNER ADVANCE C9280 PRO/C9270 PRO/C7270/C7260. Please read this manual thoroughly before operating the machine to familiarize yourself with its capabilities, and to make the most of its many functions. For information on the detailed settings for the functions described in this manual, see the e-Manual. After reading this manual, store it in a safe place for future reference.



How To Use This Manual

Symbols Used in This Manual

The following symbols are used in this manual to explain procedures, restrictions, handling precautions, and instructions that should be observed for safety.



WARNING

Indicates a warning concerning operations that may lead to death or injury to persons if not performed correctly. To use the machine safely, always pay attention to these warnings.



CAUTION

Indicates a caution concerning operations that may lead to injury to persons if not performed correctly. To use the machine safely, always pay attention to these cautions.



IMPORTANT

Indicates operational requirements and restrictions. Be sure to read these items carefully to operate the machine correctly, and avoid damage to the machine or property.



NOTE



Indicates a clarification of an operation, or contains additional explanations for a procedure. Reading these notes is highly recommended.



Indicates an operation that must not be performed. Read these items carefully, and make sure not to perform the described operations.

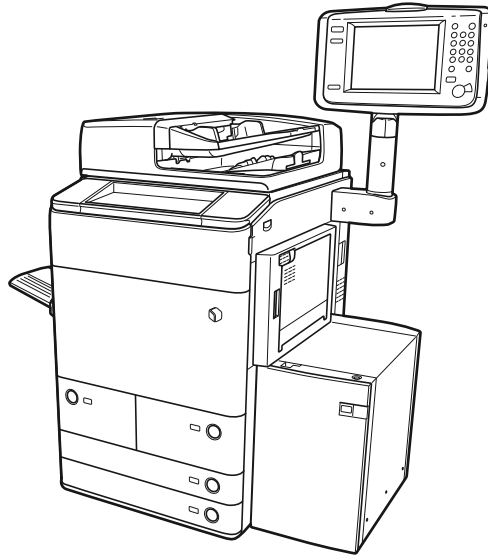
Keys and Buttons Used in This Manual

The following symbols and key/button names are a few examples of how keys and buttons to be clicked or pressed are expressed in this manual:

- Touch Panel Display Keys: [Key Name]
Example: [Cancel]
[Close]
- Control Panel Keys: Key Icon (Key Name)
Example:  (Start)
 (Stop)
- Buttons on Computer Operation Screens: [Button Name]
Example: [OK]
[Add]

Illustrations Used in This Manual

Illustrations used in this manual are those displayed when the imageRUNNER ADVANCE C9280 PRO has the following optional equipment attached to it: the Duplex Color Image Reader Unit-F1, Copy Tray-P1, and Paper Deck Unit-C1.



Abbreviations Used in This Manual

In this manual, product names and model names are abbreviated as follows:

Microsoft Windows 2000 operating system:	Windows 2000
Microsoft Windows Server 2003 operating system:	Windows Server 2003
Microsoft Windows Server 2003 R2 operating system:	Windows Server 2003 R2
Microsoft Windows XP operating system:	Windows XP
Microsoft Windows Vista operating system:	Windows Vista
Microsoft Windows Server 2008 operating system:	Windows Server 2008
Microsoft Windows 7 operating system:	Windows 7
Microsoft Windows Server 2008 R2 operating system:	Windows Server 2008 R2
Microsoft Windows operating system:	Windows
Microsoft Internet Explorer:	Internet Explorer
Microsoft Windows Internet Explorer:	Internet Explorer
Novell NetWare:	NetWare
Apple Macintosh:	Macintosh
Apple Mac:	Mac

Trademarks

MEAP and the MEAP logo are trademarks of Canon Inc.

This product contains the Universal Font Scaling Technology or UFST® under license from Monotype Imaging, Inc.. UFST® is a trademark of Monotype Imaging, Inc. registered in the United States Patent and Trademark Office and may be registered in certain jurisdictions. Apple, AppleTalk, EtherTalk, LocalTalk, Mac, Macintosh, Mac OS, and Safari are trademarks of Apple Inc., registered in the U.S. and other countries.

Microsoft, Windows, Windows Vista, Windows Server, Internet Explorer, Excel and PowerPoint are either registered trademarks or trademarks of Microsoft Corporation in the United States and/or other countries.



Adobe® PostScript® 3™

Adobe, PostScript, and the PostScript logo are either registered trademarks or trademarks of Adobe Systems Incorporated in the United States and/or other countries.

Copyright © 2007 -08 Adobe Systems Incorporated. All rights reserved.

Protected by U.S. Patents 5,737,599; 5,781,785; 5,819,301; 5,929,866; 5,943,063; 6,073,148; 6,515,763; 6,639,593; 6,754,382; 7,046,403; 7,213,269; 7,242,415; Patents pending in the U.S. and other countries.

All instances of the name PostScript in the text are references to the PostScript language as defined by Adobe Systems Incorporated unless otherwise stated. The name PostScript also is used as a product trademark for Adobe Systems' implementation of the PostScript language interpreter.

Except as otherwise stated, any reference to a "PostScript printing device," "PostScript display device," or similar item refers to a printing device, display device or item (respectively) that contains PostScript technology created or licensed by Adobe Systems Incorporated and not to devices or items that purport to be merely compatible with the PostScript language.

Adobe, the Adobe logo, PostScript, the PostScript logo, and PostScript 3 are either registered trademarks or trademarks of Adobe Systems Incorporated in the United States and/or other countries.

Linux is a registered trademark of Linus Torvalds. Microsoft and Windows are either registered trademarks or trademarks of Microsoft Corporation in the United States and/or other countries.

All other trademarks are the property of their respective owners.



The PDF logo is a trademark or registered trademark of Adobe Systems Incorporated in the United States and other countries.

Copyright © 2008 Adobe Systems Incorporated. All rights reserved.

Protected by U.S. Patents 6,185,684; 6,205,549; 7,213,269; 7,272,628; 7,278,168; Patents pending in the U.S. and other countries.

All instances of the name PostScript in the text are references to the PostScript language as defined by Adobe Systems Incorporated unless otherwise stated. The name PostScript also is used as a product trademark for Adobe Systems' implementation of the PostScript language interpreter.

Except as otherwise stated, any reference to a "PostScript printing device," "PostScript display device," or similar item refers to a printing device, display device or item (respectively) that contains PostScript technology created or licensed by Adobe Systems Incorporated and not to devices or items that purport to be merely compatible with the PostScript language.

Adobe, the Adobe logo, Adobe LiveCycle® Policy Server, PostScript, the PostScript Logo, and PostScript 3 are either registered trademarks or trademarks of Adobe Systems Incorporated in the United States and/or other countries.

All other trademarks are the property of their respective owners.

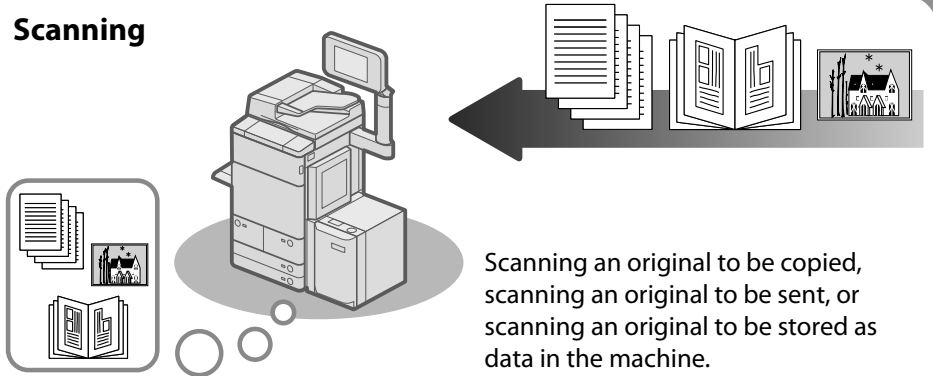
Other product and company names herein may be the trademarks of their respective owners.

Operations and Terms Used in This Manual

This machine makes effective use of memory to perform print operations efficiently. For example, as soon as the machine has scanned the original that you want to copy, it can immediately scan the next person's original. You can also print from this machine, using a function other than the Copy function. This machine combines multiple operations, so that not only copies, but various types of jobs are placed in a queue before being processed.

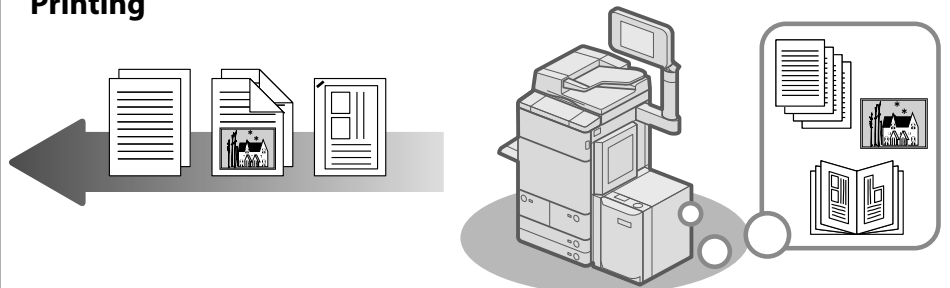
To avoid confusion when reading this manual, the terms "scanning," "printing," and "copying," used throughout this manual, are defined below. When making a copy, the process of scanning originals and printing copies may be described as separate functions.

Scanning



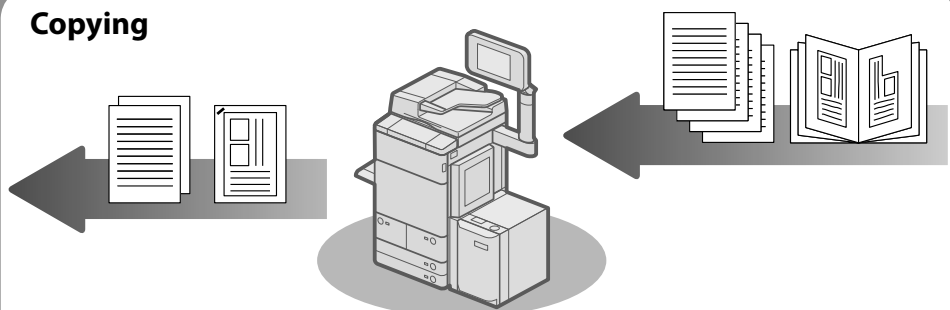
Scanning an original to be copied, scanning an original to be sent, or scanning an original to be stored as data in the machine.

Printing



Outputting a copy, outputting data stored in the machine, or outputting data sent from a computer to the machine.

Copying



Printing data scanned from an original, followed by finishing options, such as stapling.



Legal Notices

Product Name

Safety regulations require the product's name to be registered. In some regions where this product is sold, the following name(s) in parenthesis may be registered instead.

- imageRUNNER ADVANCE C9280 PRO/C9270 PRO (F162500)
- imageRUNNER ADVANCE C7270/C7260 (F162502)

FCC (Federal Communications Commission)

Note: This equipment has been tested and found to comply with the limits for a Class A digital device, pursuant to Part 15 of the FCC Rules, and the limits for an ISM equipment, pursuant to Part 18 of the FCC Rules. These limits are designed to provide reasonable protection against harmful interference when the equipment is operated in a commercial environment. This equipment generates, uses, and can radiate, radio frequency energy and, if not installed and used in accordance with the Operator's Manual, may cause harmful interference to radio communications. Operation of this equipment in a residential area is likely to cause harmful interference in which case the user will be required to correct the interference at his own expense.

If this equipment does cause harmful interference to other equipment, which can be determined by turning the equipment off and on, the user is encouraged to try to correct the interference by one or more of the following measures:

- Increase the separation between the equipment and other equipment.
- Connect the equipment into an outlet on a circuit different from that to which the other equipment is connected.
- Consult the dealer for help.

Use of shielded cables are required to comply with Class A limits in Subpart B of Part 15 of the FCC Rules.

Do not make any changes or modifications to the equipment unless otherwise specified in the manual. If you make such changes or modifications, you could be required to stop operation of the equipment.

If your equipment malfunctions, please contact your local authorized Canon dealer from whom you purchased the equipment (if under warranty), or with whom you have a servicing contract. If you are not sure who to contact, and have both purchased and are using the equipment in the U.S.A., please refer to the "SUPPORT" page on Canon U.S.A.'s Web site (<http://www.usa.canon.com>).

Laser Safety

This product complies with 21 CFR Chapter 1 Subchapter J as a Class I laser product under the U.S. Department of Health and Human Services (DHHS) Radiation Performance Standard according to the Radiation Control for Health and Safety Act of 1968. Also, this product is certified as a Class 1 laser product under IEC60825-1: 2007. This means that the product does not produce hazardous laser radiation.

Since radiation emitted inside the product is completely confined within protective housings and external covers, the laser beam cannot escape from the machine during any phase of user operation. Do not remove protective housings or external covers, except as directed by the equipment's manual.

DANGER	• Laser radiation when open. AVOID DIRECT EXPOSURE TO BEAM.	F85-6623
CAUTION	• CLASS 3B LASER RADIATION WHEN OPEN. AVOID EXPOSURE TO THE BEAM.	
ATTENTION	• RAYONNEMENT LASER DE CLASSE 3B EN CAS D'OUVERTURE. EVITEZ L'EXPOSITION AU FASCICUL.	
VORSICHT	• LASERSTRAHLUNG KLASSE 3B. WENN ABDECKUNG GEÖFFNET, NICHT DEM STRAHL AUSSETZEN.	
PRECAUCIÓN	• RADICACIÓN LASER DE CLASE 3B PRESENTE AL ABRIR. EVITE LA EXPOSICIÓN AL HAZ.	
VARNING	• KLASS 3B LASERSTRÅLNING NÄR DENNA DEL ÄR ÖPPNAD. STRÅLEN ÄR FARLIG.	
VAROITUS	• LUOKAN 3B LASER-SÄTELYÄ AVATTUNA. VÄLTÄ ALTISTUMISTA SÄTEELLE.	
	注意 • 打开时, 存在3B类激光辐射, 请避免接触激光光束	
	注意 • 打開機蓋並使用時3B類可視雷射光線, 應避免照射	
	字 注 • 警告 표시 등 사용 시 주의 사항에 항상 주의하십시오. 안전에 노출을 피하십시오.	
	字 注 • ここを覗くとクラス3Bレーザー放射が出ます。ビームに身体をさらさないこと。	

	DANGER • Laser radiation when open and interlocks defeated. AVOID DIRECT EXPOSURE TO BEAM.	注意 • 当打开或联动装置失效时, 会有3B类激光辐射, 请避免接触激光光束
CAUTION	• CLASS 3B LASER RADIATION WHEN OPEN AND INTERLOCKS DEFEATED. AVOID EXPOSURE TO THE BEAM.	注意 • 打開機蓋並使用時3B類可視雷射光線, 應避免照射
ATTENTION	• RAYONNEMENT LASER DE CLASSE 3B EN CAS D'OUVERTURE OU LORSQUE LE CONTACT DE SECURITE EST DEVEROUILLÉ. EVITEZ L'EXPOSITION AU FASCICUL.	注意 • 열려 있거나 인터록 장치가 잠금 해제될 때 3B 레이저 방사선이 방출됩니다. 광선에 노출을 피하십시오.
VORSICHT	• LASERSTRAHLUNG KLASSE 3B, WENN ABDECKUNG GEÖFFNET UND SICHERHEITSVORRICHTUNGEN ÜBERBRÜCKT, NICHT DEM STRAHL AUSSETZEN.	주의 • 열려 있거나 인터록 장치가 잠금 해제될 때 3B 레이저 방사선이 방출됩니다. 광선에 노출을 피하십시오.
PRECAUCIÓN	• RAYONNEMENT LASER DE CLASSE 3B PRESENTE AL ABRIR Y CUANDO ESTAN NEUTRALIZADOS LOS BLOQUEOS DE SEGURIDAD. EVITE LA EXPOSICIÓN AL HAZ.	注意 • 이 부분에서, 인터록을 해제할 때 클래스 3B 레이저 방사선이 방출됩니다. 몸통에 노출을 피하십시오.
VARNING	• KLASS 3B LASERSTRÅLNING NÄR DENNA DEL ÄR ÖPPNAD OCH SPÄRRAR ÄR URKOPPLADE. STRÅLEN ÄR FARLIG.	
VAROITUS	• LUOKAN 3B LASER-SÄTELYÄ AVATTUNA JA SUOLALUKITUKSET POISTETTUNA, VÄLTÄ ALTISTUMISTA SÄTEE.	

CAUTION

Use of controls, adjustments, or performance of procedures other than those specified in the manuals for this machine may result in hazardous radiation exposure.

International ENERGY STAR Program



As an ENERGY STAR® Partner, Canon USA, Inc. has determined that this machine meets the international ENERGY STAR Program for energy efficiency.

The International ENERGY STAR Office Equipment Program is an international program that promotes energy saving through the use of computers and other office equipment. The program backs the development and dissemination of products with functions that effectively reduce energy consumption. It is an open system in which business proprietors can participate voluntarily. The targeted products are office equipment, such as computers, displays, printers, facsimiles, and copiers. The standards and logos are uniform among participating nations.

IPv6 Ready Logo



The protocol stack included in this machine has obtained the IPv6 Ready Logo Phase-1 established by the IPv6 Forum.

Information Security Standard (IEEE 2600)

This machine is compliant with IEEE Std 2600™ - 2008 (hereinafter referred to as IEEE 2600), a global information security standard for multifunction peripherals and printers, and is able to achieve the security requirements defined in IEEE 2600.*

For information on how this machine meets the security requirements defined in IEEE 2600, see e-Manual > Security > IEEE 2600 Security Standard.

* IEEE 2600.1 CC Authentication has not been obtained for this machine by itself.

Copyright

Copyright 2012 by Canon Inc. All rights reserved.

No part of this publication may be reproduced or transmitted in any form or by any means, electronic or mechanical, including photocopying and recording, or by any information storage or retrieval system without the prior written permission of Canon Inc.

This product includes software and/or software modules that are licensed by Canon Inc. or its licensors from third parties. Use and distribution of this software and/or software modules are subject to conditions (a) through (d) below.

(a)

Copyright (C) 1999, 2000, 2002 Aladdin Enterprises. All rights reserved.

(b)

UFST: Copyright © 1989 - 1996, 1997, 2003, 2004, 2008, all rights reserved, by Monotype Imaging Inc.

(c)

Copyright © Unpublished Work of Novell, Inc. All Rights Reserved.

(d)

Portions of this software are copyright © 2007 The FreeType Project (www.freetype.org). All rights reserved.

Third Party Software

This Canon product (the "PRODUCT") includes third-party software modules. Use and distribution of these software modules (the "SOFTWARE") are subject to the conditions below.

- (1) You agree that you will comply with any applicable export control laws, restrictions or regulations of the countries involved in the event that this product including the SOFTWARE is shipped, transferred or exported into any country.
- (2) Rights holders of the SOFTWARE retain in all respects the title, ownership and intellectual property rights in and to the SOFTWARE. Except as expressly provided herein, no license or right, expressed or implied, is hereby conveyed or granted by rights holders of the SOFTWARE to you for any intellectual property of rights holders of the SOFTWARE.
- (3) You may use the SOFTWARE solely for use with the PRODUCT.
- (4) You may not assign, sublicense, market, distribute, or transfer the SOFTWARE to any third party without prior written consent of rights holders of the SOFTWARE.
- (5) Notwithstanding the foregoing, you may transfer the SOFTWARE only when (a) you assign to a transferee all of your rights to the PRODUCT and all rights and obligations under the conditions governing the SOFTWARE and PRODUCT and (b) such transferee agrees in writing to be bound by all these conditions.
- (6) You may not decrypt, decompile, reverse engineer, disassemble or otherwise reduce the code of the SOFTWARE to human readable form.
- (7) You may not modify, adapt, translate, rent, lease or loan the SOFTWARE or create derivative works based on the SOFTWARE.
- (8) You are not entitled to remove or make separate copies of the SOFTWARE from the PRODUCT.
- (9) The human-readable portion (the source code) of the SOFTWARE is not licensed to you.

Notwithstanding (1) through (9) above, in case any other license conditions accompany third-party software modules, these software modules are subject to these other conditions, as well.

ACCEPTANCE

THE TERMS OF THIS THIRD PARTY SOFTWARE STATED HERE OR IN RELATED WARRANTY PROVISIONS SHALL BE DEEMED ACCEPTED UPON YOUR USE OF THE PRODUCT FOR ONE OR MORE OF ITS NORMAL PURPOSES, IF THERE HAS BEEN NO OTHER PRIOR EXPRESS ACCEPTANCE.

THE TERMS OF THIS THIRD PARTY SOFTWARE GOVERN THE THIRD PARTY SOFTWARE AS DELIVERED WITH THE PRODUCT AND ALL UPDATED VERSIONS OF THE THIRD PARTY SOFTWARE PROVIDED UNDER MAINTENANCE AGREEMENTS OR OTHER SERVICE ARRANGEMENTS FOR THE PRODUCT WITH CANON USA OR CANON CANADA OR THEIR RESPECTIVE AUTHORIZED SERVICE ORGANIZATIONS.

The Software Subjected to Other Conditions

Please refer to the eManual on a CD-ROM bundled with this product, for more detail and corresponding license conditions.

If you need source code of certain Software, under respective Licenses, used for this PRODUCT, please send your request by email in English or Japanese at: <oiposs@canon.co.jp>. The request must identify the names of Software and the applicable License.

Please refer to the eManual on a CD-ROM bundled with this product, for more detail and corresponding license conditions.

Disclaimers

The information in this document is subject to change without notice.

CANON INC. MAKES NO WARRANTY OF ANY KIND WITH REGARD TO THIS MATERIAL, EITHER EXPRESS OR IMPLIED, EXCEPT AS PROVIDED HEREIN, INCLUDING WITHOUT LIMITATION, THEREOF, WARRANTIES AS TO MARKETABILITY, MERCHANTABILITY, FITNESS FOR A PARTICULAR PURPOSE OR USE, OR NON-INFRINGEMENT. CANON INC. SHALL NOT BE LIABLE FOR ANY DIRECT, INCIDENTAL, OR CONSEQUENTIAL DAMAGES OF ANY NATURE, OR LOSSES OR EXPENSES RESULTING FROM THE USE OF THIS MATERIAL.

The following applies in California, USA only:

The battery included with your product contains Perchlorate Material and may require special handling. See <http://www.dtsc.ca.gov/hazardouswaste/perchlorate/> for details.

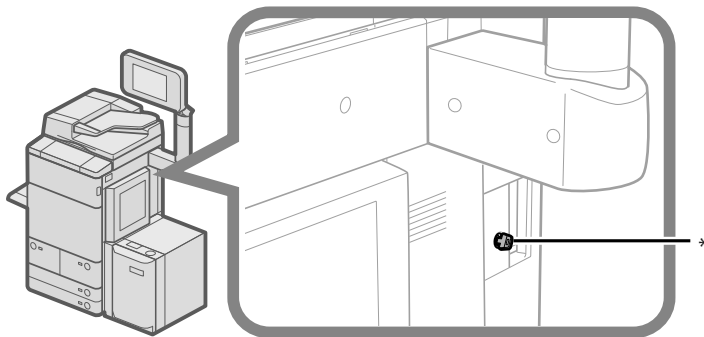
Legal Limitations on the Usage of Your Product and the Use of Images

Using your product to scan, print or otherwise reproduce certain documents, and the use of such images as scanned, printed or otherwise reproduced by your product, may be prohibited by law and may result in criminal and/or civil liability. A non-exhaustive list of these documents is set forth below. This list is intended to be a guide only. If you are uncertain about the legality of using your product to scan, print or otherwise reproduce any particular document, and/or of the use of the images scanned, printed or otherwise reproduced, you should consult in advance with your legal advisor for guidance.

- Paper Money
- Money Orders
- Certificates of Deposit
- Postage Stamps (canceled or uncanceled)
- Identifying Badges or Insignias
- Selective Service or Draft Papers
- Checks or Drafts Issued by Governmental Agencies
- Motor Vehicle Licenses and Certificates of Title
- Travelers Checks
- Food Stamps
- Passports
- Immigration Papers
- Internal Revenue Stamps (canceled or uncanceled)
- Bonds or Other Certificates of Indebtedness
- Stock Certificates
- Copyrighted Works/Works of Art without Permission of Copyright Owner

● To Avoid Unauthorized Use of the Machine

Unauthorized copies can be prevented by using the key switch unit to manage the operation of the imageRUNNER ADVANCE C9280 PRO/C9270 PRO/C7270/C7260. The use of this key should be strictly supervised to help prevent unauthorized copying.



* Security Key

When using the machine, insert the security key into the key switch unit, and then turn it to the right.

Users in the U.S.A.

Preinstallation Requirements for Canon Facsimile Equipment

NOTE

The fax function is available only if the FAX Board is installed.

A. Location

Supply a suitable table, cabinet, or desk for the machine. See "Specifications" in this guide for specific dimensions and weight.

B. Order Information

1. A single telephone line (touch-tone or rotary) should be used. If the Super G3 2nd Line Fax Board or Super G3 3rd/4th Line Fax Board is installed, a multi telephone line (touch-tone or rotary) can be used.
2. Order an RJ11-C telephone wall jack (USOC), which should be installed by the telephone company. If the RJ11-C wall jack is not present, telephone/facsimile operation is not possible.
3. Order a normal business line from your telephone company's business representative. The line should be a regular voice grade line or an equivalent one. Use one line per unit. If the Super G3 2nd Line Fax Board or Super G3 3rd/4th Line Fax Board is installed, you can use a multi-line.

DDD (Direct Distance Dial) line

-or-

IDDD (International Direct Distance Dial) line if you communicate overseas

NOTE

Canon recommends an individual line following industry standards, i.e., 2500 (touch-tone) or 500 (rotary/pulse dial) telephones. A dedicated extension off a PBX (Private Branch eXchange) unit without "Call Waiting" can be used with your facsimile unit. Key telephone systems are not recommended because they send nonstandard signals to individual telephones for ringing and special codes, which may cause a facsimile error.

C. Power Requirements

The machine should be connected to a standard 120 volt AC, three-wire grounded outlet only.

Do not connect this machine to an outlet or power line shared with other appliances that cause "electrical noise." Air conditioners, electric typewriters, copiers, and machines of this sort generate electrical noise that often interferes with communications equipment and the sending and receiving of documents.

Connection of the Equipment

This equipment complies with Part 68 of the FCC rules and the requirements adopted by the ACTA. On the rear panel of this equipment is a label that contains, among other information, a product identifier in the format of US:AAAEQ##TXXXX. If requested, this number must be provided to the telephone company.

The REN (Ringer Equivalence Number) is used to determine the number of devices that may be connected to a telephone line. Excessive RENs on a telephone line may result in the devices not ringing in response to an incoming call. In most, but not all areas, the sum of the RENs should not exceed five (5.0). To be certain of the number of devices that may be connected to a line, as determined by the total RENs, contact the local telephone company. The REN for this product is part of the product identifier that has the format US:AAAEQ##TXXXX. The digits represented by ## are the REN without a decimal point (e.g., 10 is a REN of 1.0).

An FCC compliant telephone line cable and modular plug is provided with this equipment. This equipment is designed to be connected to the telephone network or premise wiring using a compatible modular jack that is Part 68 compliant.

This equipment may not be used on coin service provided by the telephone company. Connection to party lines is subject to state tariffs.

In Case of Equipment Malfunction

Should any malfunction occur which cannot be corrected by the procedures described in the e-Manual, disconnect the equipment from the telephone line cable and disconnect the power cord. The telephone line cable should not be reconnected or the main power switch turned ON until the problem is completely resolved. Users should contact their local authorized Canon Facsimile Service Dealer for the servicing of equipment.

If your equipment malfunctions, please contact your local authorized Canon dealer from whom you purchased the equipment (if under warranty), or with whom you have a servicing contract. If you are not sure who to contact, and have both purchased and are using the equipment in the U.S.A., please refer to the "SUPPORT" page on Canon U.S.A.'s Web site (<http://www.usa.canon.com>).

Rights of the Telephone Company

If this equipment imageRUNNER ADVANCE C9280 PRO/C9270 PRO/C7270/C7260 causes harm to the telephone network, the telephone company may temporarily disconnect service. The telephone company also retains the right to make changes in facilities and services that may affect the operation of this equipment. When such changes are necessary, the telephone company is required to give adequate prior notice to the user. However, if advance notice is not possible, the telephone company will notify the customer as soon as possible. Also, the customer will be advised of his/her right to file a complaint with the FCC if he/she believes it is necessary.



WARNING

The Telephone Consumer Protection Act of 1991 makes it unlawful for any person to use a computer or other electronic device to send any message via a telephone facsimile machine unless such message clearly contains in a margin at the top or bottom of each transmitted page, or on the first page of the transmission, the date and time it is sent and an identification of the business or other entity, or other individual sending the message and the telephone number of the sending machine or such business, other entity, or individual. (The telephone number provided may not be a 900 number or any other number for which charges exceed local or long-distance transmission charges.)



NOTE

To program this information into your machine, complete the procedure for registering your name, unit's telephone number, time, and date as described in Basic Operations or Settings/Registration in the e-Manual.

Users in Canada

Preinstallation Requirements for Canon Facsimile Equipment



NOTE

The fax function is available only if the FAX Board is installed.

A. Location

Supply a suitable table, cabinet, or desk for the machine. See "Specifications" in this guide for specific dimensions and weight.

B. Order Information

1. A single telephone line (touch-tone or rotary) should be used. If the Super G3 2nd Line Fax Board or Super G3 3rd/4th Line Fax Board is installed, a multi telephone line (touch-tone or rotary) can be used.
2. Order a CA11A modular jack which should be installed by the telephone company. If the CA11A jack is not present, installation cannot occur.
3. Order a normal business line from your telephone company's business representative. The line should be a regular voice grade line or an equivalent one. Use one line per unit. If the Super G3 2nd Line Fax Board or Super G3 3rd/4th Line Fax Board is installed, you can use a multi-line.

DDD (Direct Distance Dial) line

or

IDDD (International Direct Distance Dial) line if you communicate overseas



NOTE

Canon recommends an individual line following industry standards, i.e., 2500 (touch-tone) or 500 (rotary/pulse dial) telephones. A dedicated extension off a PBX (Private Branch eXchange) unit without "Call Waiting" can be used with your facsimile unit. Key telephone systems are not recommended because they send nonstandard signals to individual telephones for ringing and special codes, which may cause a facsimile error.

C. Power Requirements

The power outlet should be a three-prong grounded receptacle (Single or Duplex). It should be independent from copiers, heaters, air conditioners, or any electric equipment that is thermostatically controlled. The rated value is 115 volts and 15 amperes. The CA11A modular jack should be relatively close to the power outlet to facilitate installation.

Notice

- This product meets the applicable Industry Canada technical specifications.
- Before installing this equipment, users should ensure that it is permissible to be connected to the facilities of the local telecommunications company. The equipment must also be installed using an acceptable method of connection. In some cases, the company's inside wiring associated with a single line individual service may be extended by means of a certified connector assembly (telephone extension cord). The customer should be aware that compliance with the above conditions may not prevent deterioration of service in some situations.
- The Ringer Equivalence Number is an indication of the maximum number of devices allowed to be connected to a telephone interface. The termination of an interface may consist of any combination of devices subject only to the requirement that the sum of the RENs of all the devices does not exceed five.
- The REN of this product is 1.0.
- Repairs to certified equipment should be made by an authorized Canadian maintenance facility designated by the supplier. Any repairs or alterations made by the user to this equipment, or equipment malfunctions, may give the telecommunications company cause to request the user to disconnect the equipment.
- Users should ensure for their own protection that the electrical ground connections of the power utility, telephone lines, and internal metallic water pipe system, if present, are connected together. This precaution may be particularly important in rural areas.

**CAUTION**

Users should not attempt to make such connections themselves, but should contact the appropriate electric inspection authority, or electrician, as appropriate.



This equipment complies with the Canadian ICES-003 Class A limits.

Utilisation au Canada

Conditions à Remplir Préalablement à L'installation d'un Télécopieur Canon

La fonction de Fax est disponible uniquement lorsqu'une carte FAX est installée.

A. Emplacement

Prévoir une table, un meuble, ou un bureau suffisamment solide et de taille appropriée (voir "Spécifications" pour les indications de poids et dimensions).

B. Installation téléphonique

1. Une seule ligne téléphonique (tonalités ou impulsions) doit être utilisée. Si le Super G3 2nd Line Fax Board ou Super G3 3rd/4th Line Fax Board en option est installé, il est possible d'utiliser une ligne téléphonique multiple (tonalités ou impulsions).
2. Il faut commander un jack modulaire CA11A qui sera installé par la compagnie téléphonique. Sans ce jack, la mise en place serait impossible.
3. Si vous vous abonnez à une nouvelle ligne, demandez une ligne d'affaires normale de qualité téléphonique courante ou équivalente. Prenez un abonnement d'une ligne par appareil. Si le Super G3 2nd Line Fax Board ou Super G3 3rd/4th Line Fax Board en option est installé, il est possible d'utiliser une ligne téléphonique multiple.

Ligne automatique interurbaine

ou

Ligne automatique international
(si vous communiquez avec les pays étrangers)



Canon vous conseille d'utiliser une ligne individuelle conforme aux normes industrielles, à savoir: ligne téléphonique 2500 (pour appareil à clavier) ou 500 (pour appareil à cadran/impulsions). Il est également possible de raccorder ce télécopieur à un système téléphonique à poussoirs car la plupart de ces systèmes émettent des signaux d'appel non normalisés ou des codes spéciaux qui risquent de perturber le fonctionnement du télécopieur.

C. Condition d'alimentation

Raccordez le télécopieur à une prise de courant plus terre à trois branches, du type simple ou double, et qui ne sert pas à alimenter un copieur, un appareil de chauffage, un climatiseur ou tout autre appareil électrique à thermostat. L'alimentation doit être de 115 volts et 15 ampères. Pour faciliter l'installation, le jack CA11A doit être assez proche de la prise de courant.

Remarques

- Le présent matériel est conforme aux spécifications techniques applicables d'Industrie Canada.
- Avant d'installer cet appareil, l'utilisateur doit s'assurer qu'il est permis de le connecter à l'équipement de la compagnie de télécommunication locale et doit installer cet appareil en utilisant une méthode de connexion autorisée. Il se peut qu'il faille étendre la circuiterie intérieure de la ligne individuelle d'abonné, qui a été installée par la compagnie, au moyen d'un jeu de connecteurs homologués (rallonge téléphonique).
- L'attention de l'utilisateur est attirée sur le fait que le respect des conditions mentionnées ci-dessus ne constitue pas une garantie contre les dégradations de qualité du service dans certaines circonstances.
- L'indice d'équivalence de la sonnerie (IES) sert à indiquer le nombre maximal de terminaux qui peuvent être raccordés à une interface téléphonique. La terminaison d'une interface peut consister en une combinaison quelconque de dispositifs, à la seule condition que la somme d'indices d'équivalence de la sonnerie de tous les dispositifs n'excède pas 5.
- Le nombre d'équivalents sonnerie (REN) de ce produit est 1.0.
- Les réparations sur un appareil certifié doivent être faites par une société d'entretien canadienne autorisée par le Gouvernement canadien et désignée par le fournisseur. Toute réparation ou modification que pourrait faire l'utilisateur de cet appareil, ou tout mauvais fonctionnement, donne à la compagnie de télécommunication le droit de débrancher l'appareil.
- Pour sa propre protection, l'utilisateur doit s'assurer que les prises de terre de l'appareil d'alimentation, les lignes téléphoniques et les tuyaux métalliques internes, s'il y en a, sont bien connectés entre eux. Cette précaution est particulièrement importante dans les zones rurales.



Au lieu d'essayer de faire ces branchements eux-mêmes, les utilisateurs sont invités à faire appel à un service d'inspection faisant autorité en matière d'électricité ou à un électricien, selon le cas.

NOTE

Respecte les limites de la classe A de la NMB-003 du Canada.

Super G3



Super G3 is a phrase used to describe the new generation of fax machines that use ITU-T V.34 standard 33.6 Kbps* modems. Super G3 High Speed Fax machines allow transmission times of approximately 3 seconds* per page which results in reduced telephone line charges.

* Approximately 3 seconds per page fax transmission time based on CCITT/ITU-T No.1 Chart, (JBIG, Standard Mode) at 33.6 Kbps modem speed. The PSTN (Public Switched Telephone Network) currently supports 28.8 Kbps modem speeds or slower, depending on telephone line conditions.

NOTE

The fax function is available only if the FAX Board is installed.



Important Safety Instructions

Please read these "Important Safety Instructions" thoroughly before operating the machine. As these instructions are intended to prevent injury to the user or other persons or destruction of property, always pay attention to these instructions. Also, since it may result in unexpected accidents or injuries, do not perform any operation unless otherwise specified in the manual. Improper operation or use of this machine could result in personal injury and/or damage requiring extensive repair that may not be covered under your Limited Warranty.

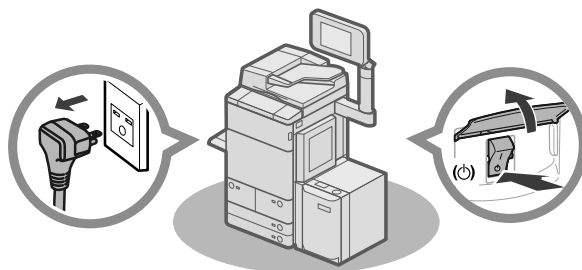
Installation

WARNING

- **Never block the ventilation slots and louvers on the machine. These openings are provided for proper ventilation of working parts inside the machine. Blocking these openings can cause the machine to overheat. Never place the machine on a soft surface, such as a sofa or rug.**
- **Do not install the machine in the following locations:**
 - A damp or dusty location
 - A location near water faucets or water
 - A location exposed to direct sunlight
 - A location subject to high temperatures
 - A location near open flames
- **Do not install the machine near alcohol, paint thinner, or other flammable substances. If flammable substances come into contact with electrical parts inside the machine, it may result in a fire or electrical shock.**
- **Do not place the following items on the machine. If these items come into contact with a high-voltage area inside the machine, it may result in a fire or electrical shock.**

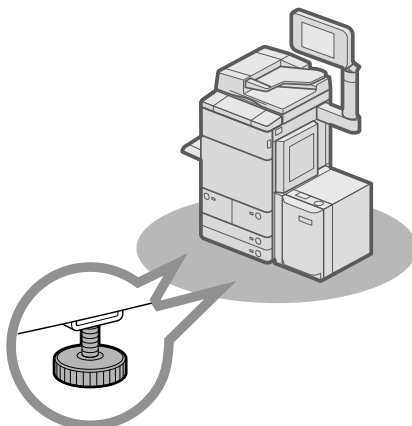
If these items are dropped or spilled inside the machine, immediately turn OFF the main power switch, and disconnect the power cord from the power outlet. Then, contact your local authorized Canon dealer.

 - Necklaces and other metal objects
 - Cups, vases, flowerpots, and other containers filled with water or liquids



CAUTION

- **Do not install the machine in unstable locations, such as unsteady platforms or inclined floors, or in locations subject to excessive vibrations, as this may cause the machine to fall or tip over, resulting in personal injury.**
- **Do not remove the machine's leveling feet after the machine has been installed, as this may cause the machine to fall or tip over, resulting in personal injury.**



Power Supply

WARNING

- Do not damage or modify the power cord. Also, do not place heavy objects on the power cord, or pull on or excessively bend it, as this could cause electrical damage and result in a fire or electrical shock.
- Keep the power cord away from a heat source; failure to do this may cause the power cord coating to melt, resulting in a fire or electrical shock.
- Do not connect or disconnect the power cord with wet hands, as this may result in electrical shock.
- Do not connect the power cord to a multiplug power strip, as this may cause a fire or electrical shock.
- Do not bundle up or tie the power cord in a knot, as this may result in a fire or electrical shock.
- Insert the power plug completely into the power outlet, as failure to do so may result in a fire or electrical shock.
- Do not use power cords other than the power cord provided, as this may result in a fire or electrical shock.
- As a general rule, do not use extension cords. Using an extension cord may result in a fire or electrical shock.
- Do not use power supplies with voltages other than those specified herein, as this may result in a fire or electrical shock.
- Always grasp the power plug when disconnecting the power cord. Pulling on the power cord may expose or snap the core wire, or otherwise damage the power cord. If the power cord is damaged, this could cause current to leak, resulting in a fire or electrical shock.

IMPORTANT

Leave sufficient space around the power plug so that it can be unplugged easily. If objects are placed around the power plug, you will be unable to unplug it in an emergency.

Handling

WARNING

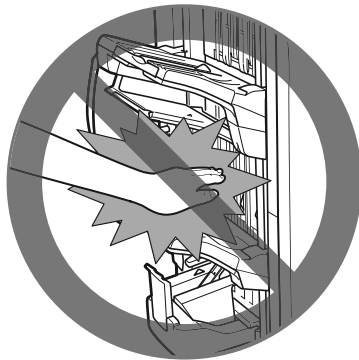
- Do not attempt to disassemble or modify the machine. There are high-temperature and high-voltage components inside the machine which may result in a fire or electrical shock.
- If the machine makes strange noises, or gives off smoke, heat, or strange smells, immediately turn OFF the main power switch, and disconnect the power cord from the power outlet. Then, contact your local authorized Canon dealer. Continued use of the machine in this condition may result in a fire or electrical shock.
- Do not use highly flammable sprays near the machine. If gas from these sprays comes into contact with the electrical components inside the machine, it may result in a fire or electrical shock.
- To avoid damage to the power cord and creating a fire hazard, always turn OFF the main power switch, and unplug the interface cable when moving the machine. Otherwise, the power cord or interface cable may be damaged, resulting in a fire or electrical shock.
- Make sure that the power plug is firmly inserted into the power outlet if the machine was moved. Do not use the machine while the connection is loose, as doing so may cause a fire.
- Do not drop paper clips, staples, or other metal objects inside the machine. Also, do not spill water, liquids, or flammable substances (alcohol, benzene, paint thinner, etc.) inside the machine. If these items come into contact with a high-voltage area inside the machine, it may result in a fire or electrical shock. If these items are dropped or spilled inside the machine, immediately turn OFF the main power switch, and disconnect the power cord from the power outlet. Then, contact your local authorized Canon dealer.
- Do not use this product for uses other than as a color digital multitasking machine.

! CAUTION

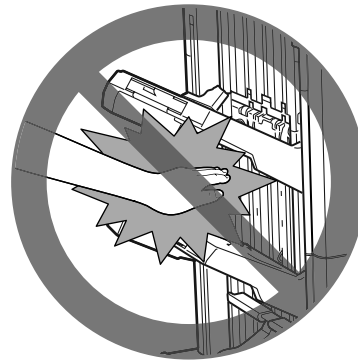
- Do not place heavy objects on the machine, as they may tip over or fall resulting in personal injury.
- Close the feeder/platen cover gently to avoid catching your hands, as this may result in personal injury.



- Do not press down hard on the feeder/platen cover when using the platen glass to make copies of thick books. Doing so may damage the platen glass and result in personal injury.
- Do not touch the finisher while the machine is printing, as this may result in personal injury.
- Paper that has just been output from the machine may be hot. Be careful when removing or aligning paper from the output tray. Touching paper right after it is output may result in low-temperature burns.
- Do not place your hands, hair, clothing, etc., near the exit and feed rollers. Even if the machine is not in operation, your hands, hair, or clothing may get caught in the rollers, which may result in personal injury or damage if the machine suddenly starts printing.
- Do not place your hands in the part of the tray where stapling is performed (near the rollers) when a finisher is attached, as this may result in personal injury.

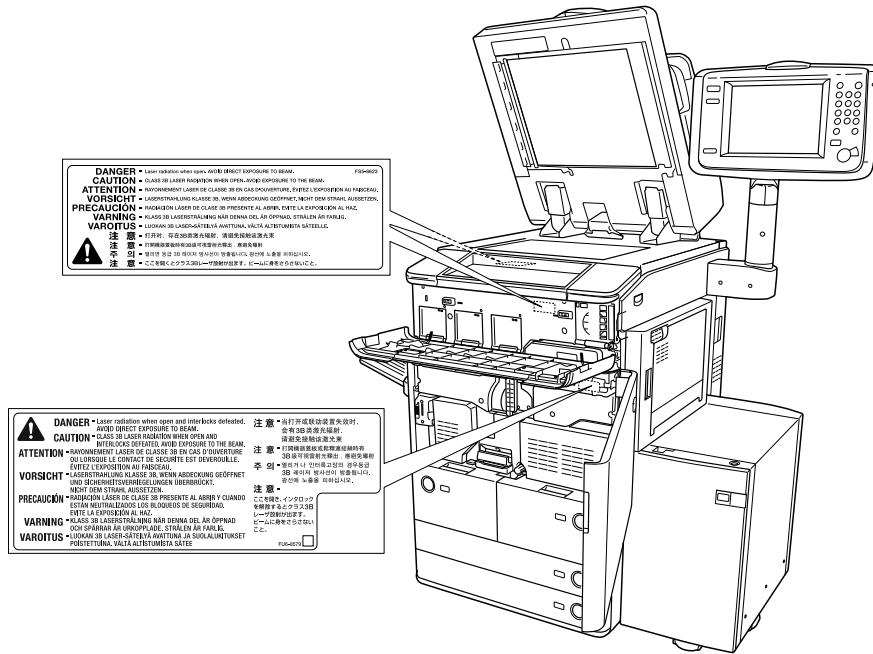


Staple Finisher-K1/Booklet Finisher-K1



Staple Finisher-L1/Booklet Finisher-L1

- The laser beam can be harmful to human bodies. Since radiation emitted inside the product is completely confined within protective housings and external covers, the laser beam cannot escape from the machine during any phase of user operation. Read the following remarks and instructions for safety.
- Never open covers other than those instructed in the manuals for this machine.
- Do not remove the following caution label which is attached to the machine. If the label has been removed, contact your local authorized Canon dealer.




⚠ DANGER • Laser radiation when open. AVOID DIRECT EXPOSURE TO BEAM.
CAUTION • Éviter les lasers émis lorsqu'ils sont dirigés vers les yeux.
ATTENTION • AVOID DIRECT EXPOSURE TO BEAM.
VORSICHT • LASERSTRALUNG WENN OFFEN. VERMEIDEN SIE DIREKTE AUSSETZUNG.
PRECAUCIÓN • Evitar la exposición directa a los rayos láser cuando se abre el panel de seguridad.
VAROITUS • VÄIKÄN LASERSTRÄLÄNGEN VÄHÄÄNÄ, VÄÄLÄ SUORAAN SUOJAUSKÄSITTEÄ.
注意 • 打付時、直にレーザー放射を避け、直視を厳禁してください。
注意 • 予備部品の修理時や修理作業中は、必ず電源を切ってください。
注意 • 本機のレーザー光線は、必ず安全装置で遮断されています。

⚠ DANGER • Laser radiation when open and interlocks disarmed. AVOID DIRECT EXPOSURE TO BEAM.
CAUTION • Éviter les lasers émis lorsqu'ils sont dirigés vers les yeux.
ATTENTION • AVOID DIRECT EXPOSURE TO BEAM.
VORSICHT • LASERSTRALUNG WENN OFFEN UND INTERLOCKS DEFEKT. VERMEIDEN SIE DIREKTE AUSSETZUNG.
PRECAUCIÓN • Evitar la exposición directa a los rayos láser cuando se abre el panel de seguridad y los interruptores de seguridad están desactivados.
VAROITUS • VÄIKÄN LASERSTRÄLÄNGEN VÄHÄÄNÄ, VÄÄLÄ SUORAAN SUOJAUSKÄSITTEÄ.
注意 • 打付時、直にレーザー放射を避け、直視を厳禁してください。
注意 • 予備部品の修理時や修理作業中は、必ず電源を切ってください。
注意 • 本機のレーザー光線は、必ず安全装置で遮断されています。

- If the laser beam escapes from the machine, exposure may cause serious damage to your eyes.
- Controlling, adjusting, or operating the machine in ways not mentioned in the manuals for this machine may cause dangerous radiation to escape from the machine.

IMPORTANT

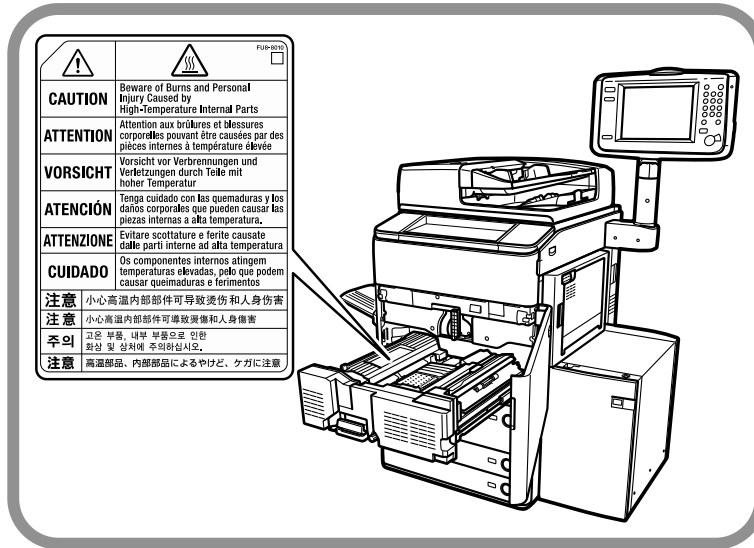
Press  (Energy Saver) for safety when the machine will not be used for a long period of time, such as overnight. Also, turn OFF the main power switch, and disconnect the power cord for safety when the machine will not be used for an extended period of time, such as during consecutive holidays.



- When cleaning the machine, first turn **OFF** the main power switch, then disconnect the power cord. Failure to observe these steps may result in a fire or electrical shock.
- Disconnect the power cord from the power outlet regularly, and clean the area around the base of the power plug's metal pins and the power outlet with a dry cloth to ensure that all dust and grime is removed. If the power cord is connected for a long period of time in a damp, dusty, or smoky location, dust can build up around the power plug and become damp. This may cause a short circuit and result in a fire.
- Clean the machine using a slightly dampened cloth with a mild detergent mixed with water. Do not use alcohol, benzene, paint thinner, or other flammable substances. Check detergent for flammability prior to use. If flammable substances come into contact with a high-voltage area inside the machine, it may result in a fire or electrical shock.
- There are some areas inside the machine which are subject to high-voltages. When removing jammed paper or when inspecting the inside of the machine, do not allow necklaces, bracelets, or other metal objects to touch the inside of the machine, as this may result in burns or electrical shock.
- Do not burn or throw used toner cartridges into open flames, as this may cause the toner remaining inside the cartridges to ignite, resulting in burns or a fire.
- Make sure that the power plug is firmly inserted into the power outlet after cleaning the machine. Do not use the machine while the connection is loose, as doing so may cause a fire.
- Check the power cord and power plug regularly. If the following conditions occur, contact your local authorized Canon dealer, as the condition may cause a fire:
 - There are burn marks on the power plug.
 - The blade on the power plug is deformed or broken.
 - The power goes OFF and ON when the power cord is bent.
 - There are cuts, cracks, or indentations on the power cord.
 - A part of the power cord becomes hot.
- Check the power cord and power plug regularly to make sure that they are not handled in the following manner, as this may result in a fire or electrical shock:
 - The connection part of the power plug is loose.
 - Stress is being applied to the power cord by a heavy object or by affixing it with staples.
 - The power plug is loose.
 - The power cord is tied in a bundle.
 - The power cord protrudes into a walkway.
 - The power cord is in front of a heater.

! CAUTION

- The fixing unit and its surroundings inside the machine may become hot during use. When removing jammed paper or when inspecting the inside of the machine, do not touch the fixing unit and its surroundings, as doing so may result in burns or electrical shock.
- When removing jammed paper or when inspecting the inside of the machine, do not expose yourself to the heat emitted from the fixing unit and its surroundings for a prolonged period of time. Doing so may result in low temperature burns, even though you did not touch the fixing unit and its surroundings directly.
- If a paper jam occurs, follow the directions on the touch panel display to remove any jammed paper from inside the machine. Do not insert your fingers into any parts not indicated on the touch panel display, as doing so may result in personal injury or burns.



- When removing jammed paper or replacing the toner cartridge, take care not to allow the toner to come into contact with your hands or clothing, as this will dirty your hands or clothing. If they become dirty, wash them immediately with cold water. Washing them with warm water will set the toner, and make it impossible to remove the toner stains.
- When removing paper which has become jammed inside the machine, remove the jammed paper gently to prevent the toner on the paper from scattering and getting into your eyes or mouth. If the toner gets into your eyes or mouth, wash them immediately with cold water and immediately consult a physician.
- When removing jammed originals or paper which has become jammed inside the machine, take care not to cut your hands or injure yourself on the edges of the originals or paper. If you cannot remove the paper, contact your local authorized Canon dealer.
- When removing a used toner cartridge, remove the cartridge carefully to prevent the toner from scattering and getting into your eyes or mouth. If the toner gets into your eyes or mouth, wash them immediately with cold water and immediately consult a physician.
- Do not dismantle the toner cartridge, as doing so may cause toner to fly out and enter your eyes or mouth. If toner gets into your eyes or mouth, wash them immediately with cold water and immediately consult a physician.
- If toner escapes from the toner cartridge, make sure not to ingest the toner or allow it to directly touch your skin. If toner touches your skin, wash it away with soap and water. If your skin still feels irritated after washing it, or you ingest toner, consult a doctor immediately.

Consumables

WARNING

- Do not burn or throw used toner cartridges into open flames, as this may cause the toner remaining inside the cartridges to ignite, resulting in burns or a fire.
- Do not store toner cartridges or copy paper in places exposed to open flames, as this may cause the toner or paper to ignite, resulting in burns or a fire.
- If you accidentally spill or scatter toner, carefully gather the toner particles together or wipe them up with a soft, damp cloth in a way that prevents inhalation. Never use a vacuum cleaner that does not have safeguards against dust explosions to clean up spilled toner. Doing so may cause a malfunction in the vacuum cleaner, or result in a dust explosion due to static discharge.

CAUTION

- Keep toner and other consumables out of the reach of small children. If these items are ingested, consult a physician immediately.
- Do not dismantle the toner cartridge, as doing so may cause toner to fly out and enter your eyes or mouth. If toner gets into your eyes or mouth, wash them immediately with cold water and immediately consult a physician.
- If toner escapes from the toner cartridge, make sure not to ingest the toner or allow it to directly touch your skin. If toner touches your skin, wash it away with soap and water. If your skin still feels irritated after washing it, or you ingest toner, consult a doctor immediately.
- When discarding used toner cartridges, put the cartridges into a bag to prevent the toner remaining inside the cartridges from scattering, and dispose of them in a location away from open flames.

Telephone Equipment

WARNING

When using telephone equipment incorporated into this machine, basic safety precautions should always be followed to reduce the risk of fire, electrical shock, or injury to persons, including the following:

1. Do not use this machine where there is a potential for contact with water or other liquid.
2. Do not use the telephone equipment during an electrical storm, as there may be a remote risk of electrical shock from lightning.
3. Do not use the telephone equipment to report a gas leak in the vicinity of the leak.

Other Warnings

WARNING

For cardiac pacemaker users:

This product emits low level magnetic flux. If you use a cardiac pacemaker and feel abnormalities, please move away from the product and consult your doctor.



Periodic Inspection of the Breaker

This machine has a breaker that detects excess current or leakage current. Make sure to test the breaker once or twice a month using the following procedure.



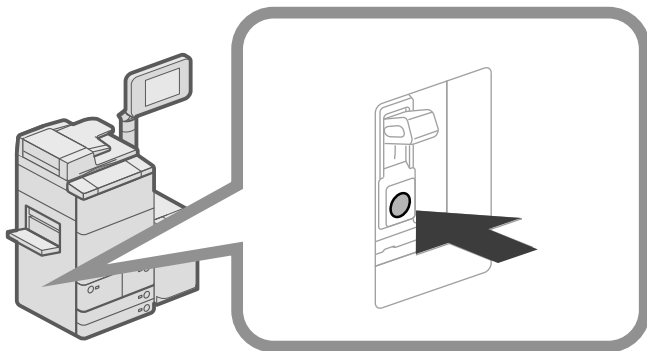
IMPORTANT

- Make sure that the main power is turned OFF, before inspecting the breaker.
- If a malfunction occurs after an inspection, contact your local authorized Canon dealer.

Checking the Breaker

1

Push the test button on the rear of the machine with the tip of a ball-point pen, or a similar object.



IMPORTANT

Briefly push the test button.

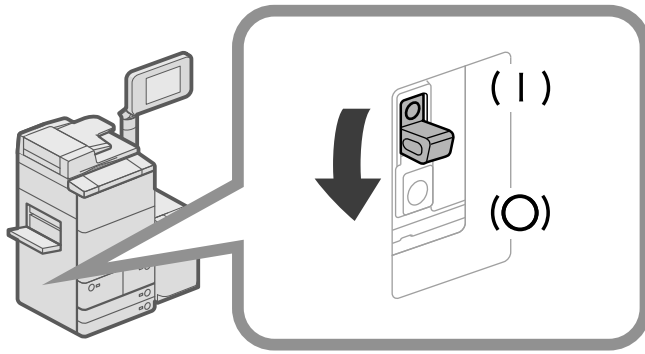


NOTE

- The breaker is located on the rear of the machine.
- For more information on the location of the breaker, see "External View," on p. 36.

2

Confirm that the breaker lever is switched to the OFF ("○" side) position.

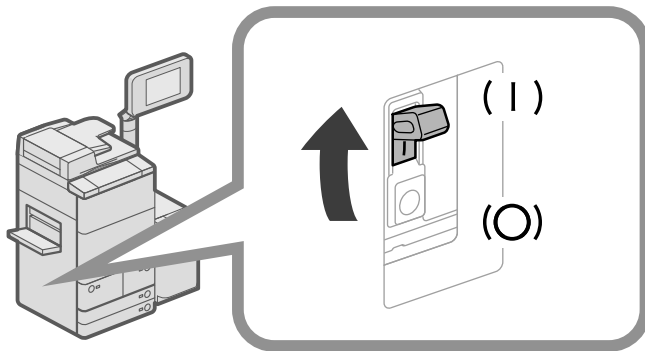


IMPORTANT

- Do not use the test button to turn the power ON and OFF.
- If the breaker lever does not switch to the OFF ("○" side) position, repeat step 1.
- If the breaker lever does not switch to the OFF ("○" side) position, despite carrying out the above procedure two or three times, contact your local authorized Canon dealer.

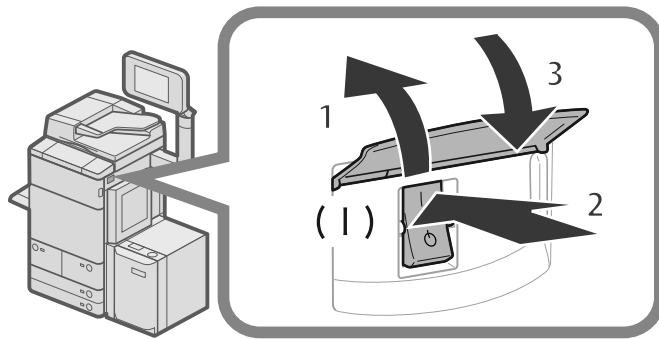
3

Switch the breaker lever to ON ("|" side).



4

Turn ON the main power.



1. Open the main power switch cover.
2. Press the main power switch to the "I" side.
3. Close the main power switch cover.

5

Fill in the check sheet, located on the next page, to document your periodic inspections of the breaker.



Check Sheet for the Periodic Inspection of the Breaker

Copy this page for future use, and store it in a safe place near the machine to document your periodic inspections of the breaker.

● How to Inspect the Breaker Periodically

Follow the procedure described in "Periodic Inspection of the Breaker," on p. 23, once or twice a month.

● How to Fill in This Check Sheet

Fill in the date of inspection and the name of the inspector.

When the inspection is completed successfully, write a check mark under "✓".

If not, contact your local authorized Canon dealer. (Also, write a check mark under "X.")

Date of Inspection	Inspector	Result	
		✓	X

Date of Inspection	Inspector	Result	
		✓	X



Installation Location and Handling

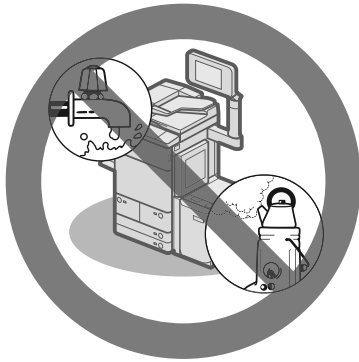
This section describes precautions for installation location and handling. We recommend that you read this section prior to using this machine.

Installation Precautions

Avoid Installing the Machine in the Following Locations

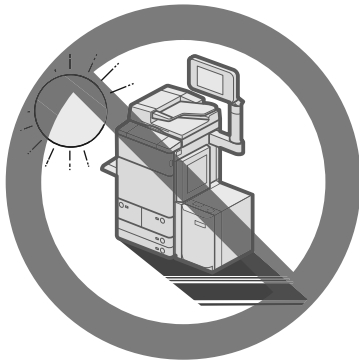
- **Avoid locations subject to temperature and humidity extremes, whether low or high.**

For example, avoid installing the machine near water faucets, hot water heaters, humidifiers, air conditioners, heaters, or stoves.



- **Avoid installing the machine in direct sunlight.**

If this is unavoidable, use curtains to shade the machine. Be sure that the curtains do not block the machine's ventilation slots or louvers, or interfere with the electrical cord or power supply.



- **Avoid poorly ventilated locations.**

This machine generates a slight amount of ozone etc. during normal use. Although sensitivity to ozone etc. may vary, this amount is not harmful. Ozone etc. may be more noticeable during extended use or long production runs, especially in poorly ventilated rooms. It is recommended that the room be appropriately ventilated, sufficient to maintain a comfortable working environment, in areas of machine operation.



- **Avoid locations where a considerable amount of dust accumulates.**

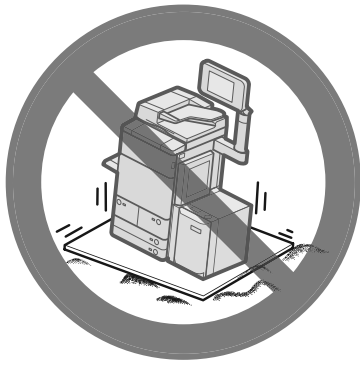
- **Avoid locations where ammonia gas is emitted.**



- **Avoid locations near volatile or flammable materials, such as alcohol or paint thinner.**

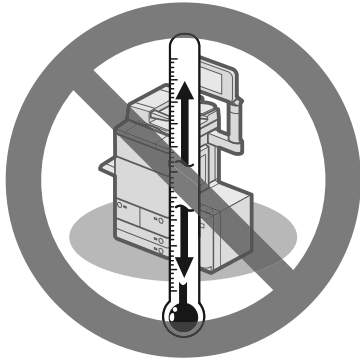
● **Avoid locations that are subject to vibration.**

For example, avoid installing the machine on unstable floors or stands.



● **Avoid exposing the machine to rapid changes in temperature.**

If the room in which the machine is installed is cold but rapidly heated, water droplets (condensation) may form inside the machine. This may result in a noticeable degradation in the quality of the copied image, the inability to properly scan an original, or the copies having no printed image at all.



● **Avoid installing the machine near computers or other precision electronic equipment.**

Electrical interference and vibrations generated by the machine during printing can adversely affect the operation of such equipment.

● **Avoid installing the machine near televisions, radios, or similar electronic equipment.**

The machine might interfere with sound and picture signal reception. Insert the power plug into a dedicated power outlet, and maintain as much space as possible between the machine and other electronic equipment.

● **Contact an authorized Canon dealer if communication is unavailable.**

Depending on your locale or your telephone connection, you may be unable to perform data communication. In this case, contact your local authorized Canon dealer.

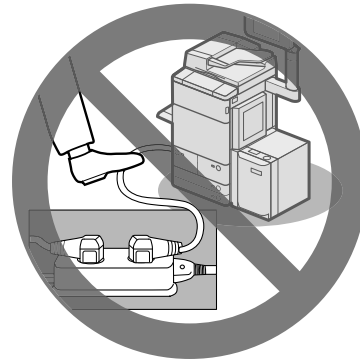
● **Do not remove the machine's leveling feet.**

Do not remove the machine's leveling feet after the machine has been installed.

If you put weight on the front of the machine while the drawers, paper decks, or units within the machine are pulled out, the machine may fall forward. To prevent this from happening, make sure that the machine's leveling feet are in place.

Select a Safe Power Supply

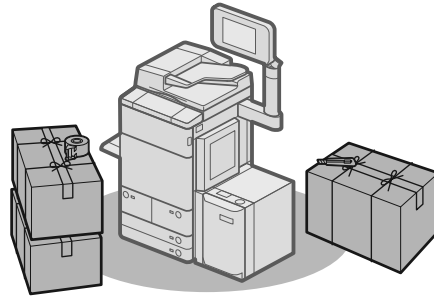
- Plug the imageRUNNER ADVANCE C9280 PRO/ C9270 PRO into an outlet that is 208 V AC 15 A or greater. Plug the imageRUNNER ADVANCE C7270/ C7260 into an outlet that is 120 V AC 20 A or greater.
- Make sure that the power supply for the machine is safe, and has a steady voltage.
- Do not connect other electrical equipment to the same power outlet to which the machine is connected.
- Do not connect the power cord to a multiplug power strip, as this may cause a fire or electrical shock.
- The power cord may become damaged if it is stepped on, affixed with staples, or if heavy objects are placed on it. Continued use of a damaged power cord can lead to an accident, such as a fire or electrical shock.



- The power cord should not be taut, as this may lead to a loose connection and cause overheating, which could result in a fire.
- If excessive stress is applied to the connection part of the power cord, it may damage the power cord or the wires inside the machine may disconnect. This could result in a fire. Avoid the following situations:
 - Connecting and disconnecting the power cord frequently.
 - Tripping over the power cord.
 - The power cord is bent near the connection part, and continuous stress is being applied to the power outlet or the connection part.
 - Applying excessive force on the power plug.

Moving the Machine

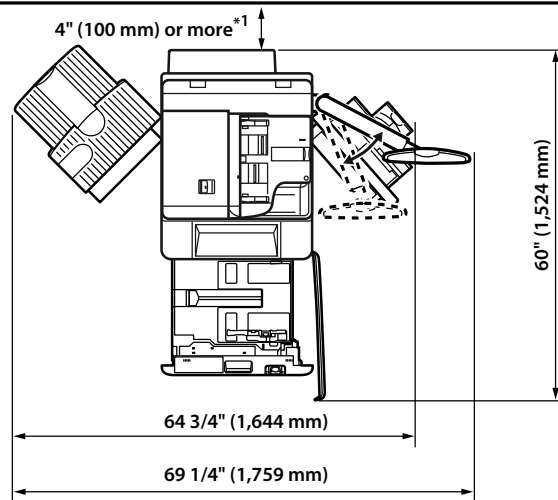
- If you intend to move the machine, even to a location on the same floor of your building, contact your local authorized Canon dealer beforehand. Do not attempt to move the machine yourself.



Provide Adequate Installation Space

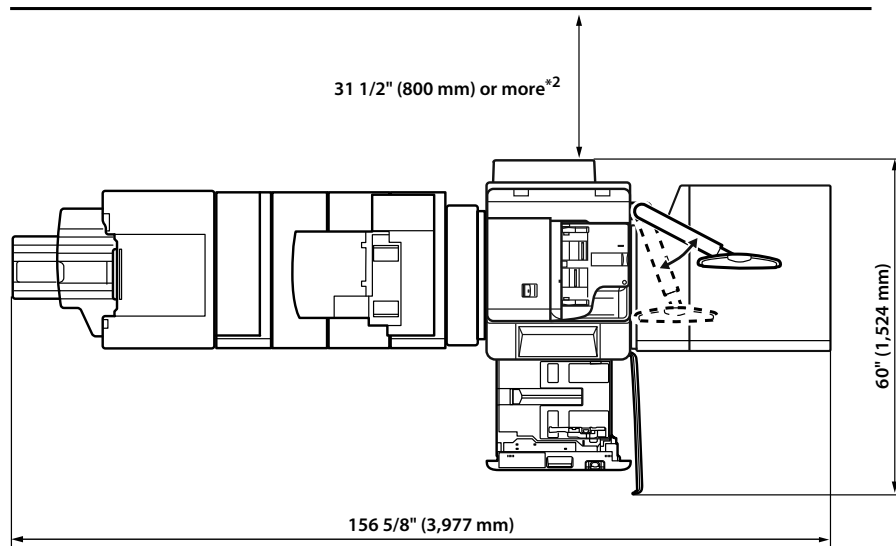
Provide enough space on each side of the machine for unrestricted operation.

- For the imageRUNNER ADVANCE C9280 PRO/C9270 PRO
When the Copy Tray-P1 and Duplex Color Image Reader Unit-F1 are attached:



*1 Make sure to provide at least 31 2/1" (800 mm) of space if you attach one or more of the following: Paper Folding Unit-G1, Professional Puncher-C1, Document Insertion Unit-H1, or Multi-drawer Paper Deck-A1.

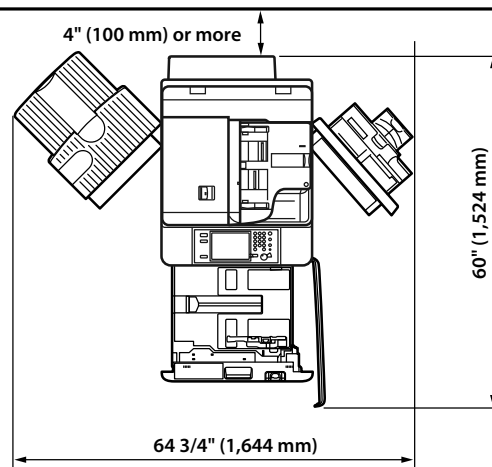
When the Booklet Finisher-K1, Paper Folding Unit-G1, Professional Puncher Integration Unit-B1, Professional Puncher-C1, Document Insertion Unit-H1, Buffer Pass Unit-J1, Duplex Color Image Reader Unit-F1, and Multi-drawer Paper Deck-A1 are attached:



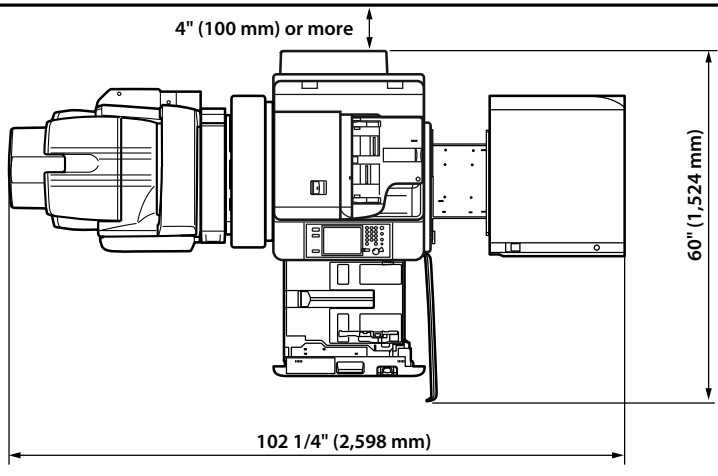
*2 Make sure to provide at least 4" (100 mm) of space if none of the Paper Folding Unit-G1, Professional Puncher-C1, Document Insertion Unit-H1, or Multi-drawer Paper Deck-A1 is attached.

● For the imageRUNNER ADVANCE C7270/C7260

When the Copy Tray-P1 and Duplex Color Image Reader Unit-F1 are attached:

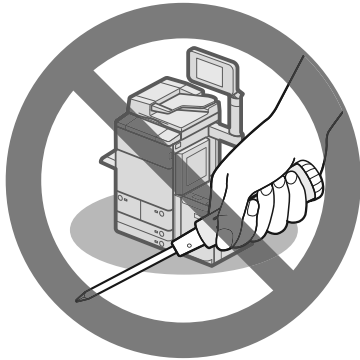


When the Booklet Finisher-L1, External 2/3 Hole Puncher-A1, Buffer Pass Unit-J1, Duplex Color Image Reader Unit-F1, and POD Deck Lite-A1 are attached:



Handling Precautions

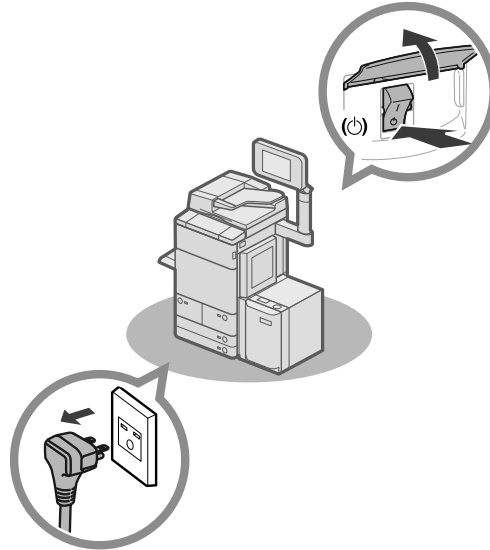
- Do not attempt to disassemble or modify the machine.



- Some parts inside the machine are subject to high-voltages and temperatures. Take adequate precautions when inspecting the inside of the machine. Do not carry out any inspections that are not described in the manuals for this machine.
- Be careful not to spill liquid or drop any foreign objects, such as paper clips or staples inside the machine. If a foreign object comes into contact with electrical parts inside the machine, it might cause a short circuit and result in a fire or electrical shock.




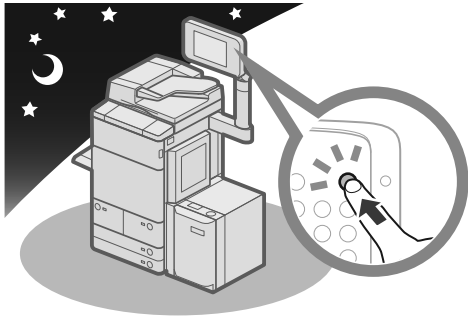
- If there is smoke, or unusual noise, immediately turn the main power switch OFF, disconnect the power cord from the power outlet, and then call your local authorized Canon dealer. Using the machine in this state may cause a fire or electrical shock. Also, avoid placing objects around the power plug so that the machine can be disconnected whenever necessary.



- Do not turn the main power switch OFF or open the front covers while the machine is in operation. This may result in paper jams.
- Do not use flammable sprays, such as spray glue, near the machine. There is a danger of ignition.



- This machine generates a slight amount of ozone etc. during normal use. Although sensitivity to ozone etc. may vary, this amount is not harmful. Ozone etc. may be more noticeable during extended use or long production runs, especially in poorly ventilated rooms. It is recommended that the room be appropriately ventilated, sufficient to maintain a comfortable working environment, in areas of machine operation.
- For safety reasons, press  (Energy Saver) when it will not be used for a long period of time, such as overnight. As an added safety measure, turn OFF the main power switch, and disconnect the power cord when the machine will not be used for an extended period of time, such as during consecutive holidays.



- Use a modular cable that is shorter than 9' 10" (3 meters).
- Use a USB cable that is shorter than 9' 10" (3 meters).
- Paper that has just been output from the machine may be hot. Be careful when removing or aligning paper from the output tray. Touching paper right after it is output may result in low-temperature burns.



Backing Up/Exporting Data

Various data such as the received data, stored data, address book, and Settings/Registration settings are stored on the hard disk of the machine.

A malfunction in the hard disk may cause these data to be lost. Please regularly back up/export your important data.

Please note that Canon will not be held responsible for any damages caused by the loss of data.

You can backup/export data in the following ways:

- Backup/Restore
- Import/Export All
- Import/Export Individually

You can backup/export the following data:

● Data You Can Backup/Restore

You can backup data in the machine and restore the data to the machine. The backed up data can only be restored to this machine.

Data	References
Mail Box Settings	e-Manual > Remote UI
Fax Inbox Settings	
Memory RX Inbox Settings	
Attribute information for Advanced Box documents	
Mail Box/Fax Inbox/Memory RX Inbox files ^{*1}	
Advanced Box files ^{*2}	
Form for Superimpose Image	

*1 You can also backup/restore data in another machine of the same model.

*2 You can also backup/restore data in another machine of the imageRUNNER ADVANCE series.

● Data You Can Import/Export All

You can save/load multiple items at once. In addition, you can exchange data with this machine and other machines which support the Import/Export All function.



IMPORTANT

You cannot use the Import All function, depending on the recipient's machine model. For more information, contact your local authorized Canon dealer.

Data	References
Settings/Registration Basic Information	e-Manual > Remote UI
Paper Type Management Settings	
Forwarding Settings	
Box Settings	
Department ID Management Settings	
Main Menu Settings	
Web Access Settings	
Favorite Settings	
Address Book	
User Access Control for Advanced Box	
Quick Menu Settings	
MEAP Application Setting Information	
User Setting Information	

● Data You Can Import/Export Individually

You can save/load data individually. In addition, you can exchange data with this machine and other machines which do not support the Import/Export All function.

Data	References
Address Lists	e-Manual > Remote UI
Device Settings (Forwarding Settings, Address Book, Send Function Favorite Settings)	
Settings/Registration	
Printer Settings	
Paper Information	
Web Access Favorites	e-Manual > Web Access

● Other Data You Can Import/Export

You can exchange data with this machine and other machines which do not support the Import/Export All function.

Data	References	
Quick Menu Information	e-Manual > Quick Menu	
User information of the Advanced Box	e-Manual > Security	
Data Relating to MEAP	License files for MEAP applications	e-Manual > MEAP
	Data saved from MEAP applications*1	Instruction manuals for each MEAP application
	User authentication information registered for the Local Device Authentication system of SSO-H (Single Sign-On H)	e-Manual > MEAP

*1 You may be able to back up data stored by MEAP applications, depending on the application.

NOTE

- By using the HDD Data Encryption & Mirroring Kit, you can store the same data on two hard disks connected to the machine and synchronize them. Even in this case, we recommend that you regularly back up/export your important data, as it is possible that a malfunction in both hard disks may cause the data to be lost.
- The passwords and PIN are backed up at the same time. However, some of the passwords may not be backed up, depending on the type of the password.
- If your machine is not connected to a network, it is recommended that you print and store important information such as the Address Book. (See e-Manual > Basic Operations.)



Parts and Their Functions

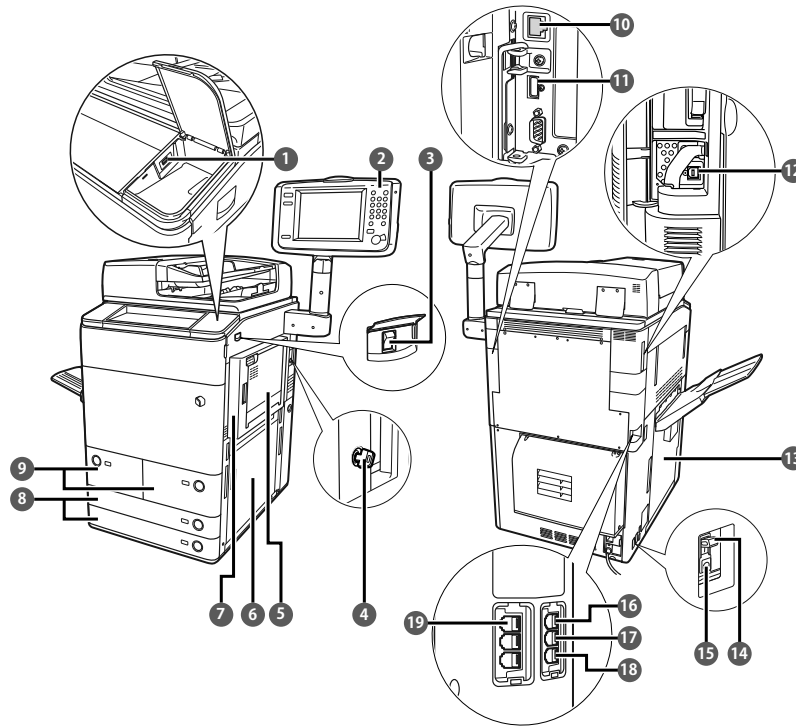
This section provides you with the names and functions of all the parts of the machine.

For more information on optional products, parts and their functions, see e-Manual > Optional Products (imageRUNNER ADVANCE C9280 PRO/C9270 PRO) or Optional Products (imageRUNNER ADVANCE C7270/C7260).

External View

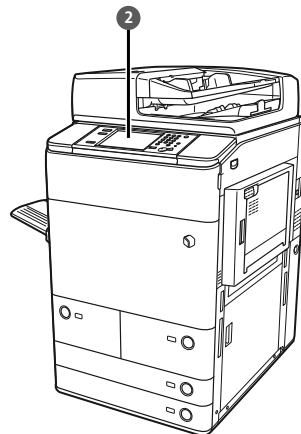
For the imageRUNNER ADVANCE C9280 PRO/C9270 PRO

- The Duplex Color Image Reader Unit-F1 and Copy Tray-P1 are attached:



For the imageRUNNER ADVANCE C7270/C7260

- The Duplex Color Image Reader Unit-F1 and Copy Tray-P1 are attached:



1 USB Port (1)

Use the USB port to connect a USB device.

2 Control Panel

Includes the keys, touch panel display, and indicators required for operating the machine.

3 Main Power Switch

Press to the “|” side to turn the power ON.

4 Security Key (Optional)

For managing the use of the machine and preventing unauthorized copies.

5 Multi-Purpose Tray

Use the multi-purpose tray to feed paper manually, and for loading nonstandard paper stock, such as envelopes.

6 Main Unit’s Lower Right Cover

Open this cover when clearing a paper jam inside the main unit.

7 Main Unit’s Upper Right Cover

Open this cover when clearing a paper jam inside the main unit.

8 Paper Drawer 3, 4

Holds up to 550 sheets of paper (20 lb bond (80 g/m²)).

9 Paper Drawer 1, 2 (Right/Left)

Holds up to 1,100 sheets of paper (20 lb bond (80 g/m²)).

10 LAN Port

Use a LAN cable to connect the machine to a network.

11 USB Port (2)

Use the USB port to connect external hard disks and other devices to the machine.

12 USB Connector

Use a USB cable to connect the machine to a computer.

13 Left Cover

Open this cover when clearing a paper jam inside the main unit.

14 Breaker

Detects excess current or leakage current.

15 Test Button

Press this button to periodically test the circuit breaker.

16 LINE 4

Use this port to connect the Super G3 3rd/4th Line Fax Board to the machine.

17 LINE 3


Use this port to connect the Super G3 3rd/4th Line Fax Board to the machine.

18 LINE 2

Use this port to connect the Super G3 2nd Line Fax Board to the machine.

19 LINE 1

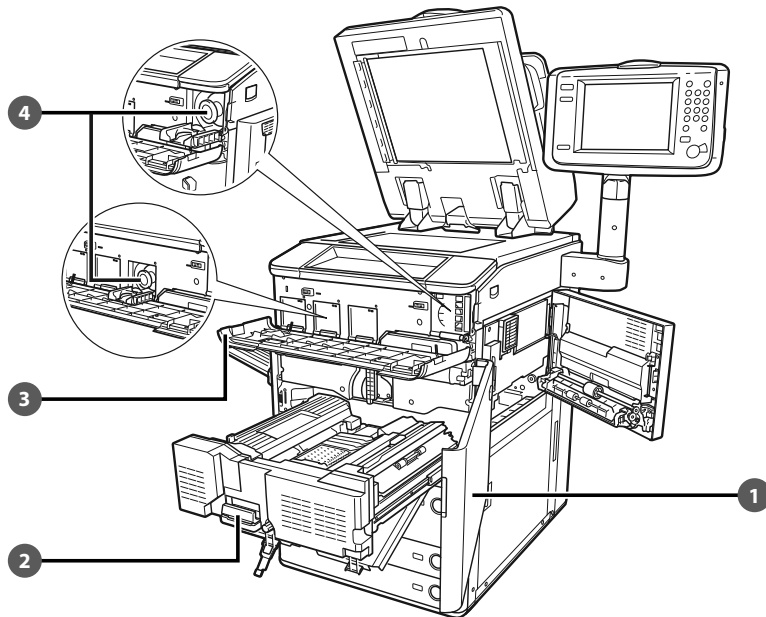
Use this port to connect a fax line to the machine.

 **NOTE**

- The Super G3 3rd/4th Line Fax Board and Super G3 2nd Line Fax Board are optional products. For more information, see e-Manual > Optional Products (imageRUNNER ADVANCE C9280 PRO/C9270 PRO) or Optional Products (imageRUNNER ADVANCE C7270/C7260).
- For information on the optional products required to use the fax function, see e-Manual > Optional Products (imageRUNNER ADVANCE C9280 PRO/C9270 PRO) or Optional Products (imageRUNNER ADVANCE C7270/C7260).

Internal View

The Duplex Color Image Reader Unit-F1 and Copy Tray-P1 are attached to the imageRUNNER ADVANCE C9280 PRO.



1 Front Cover

Open this cover to clear a paper jam in the fixing transport unit.

2 Fixing Transport Unit

Pull the fixing transport unit out to clear a paper jam.

3 Toner Replacement Cover

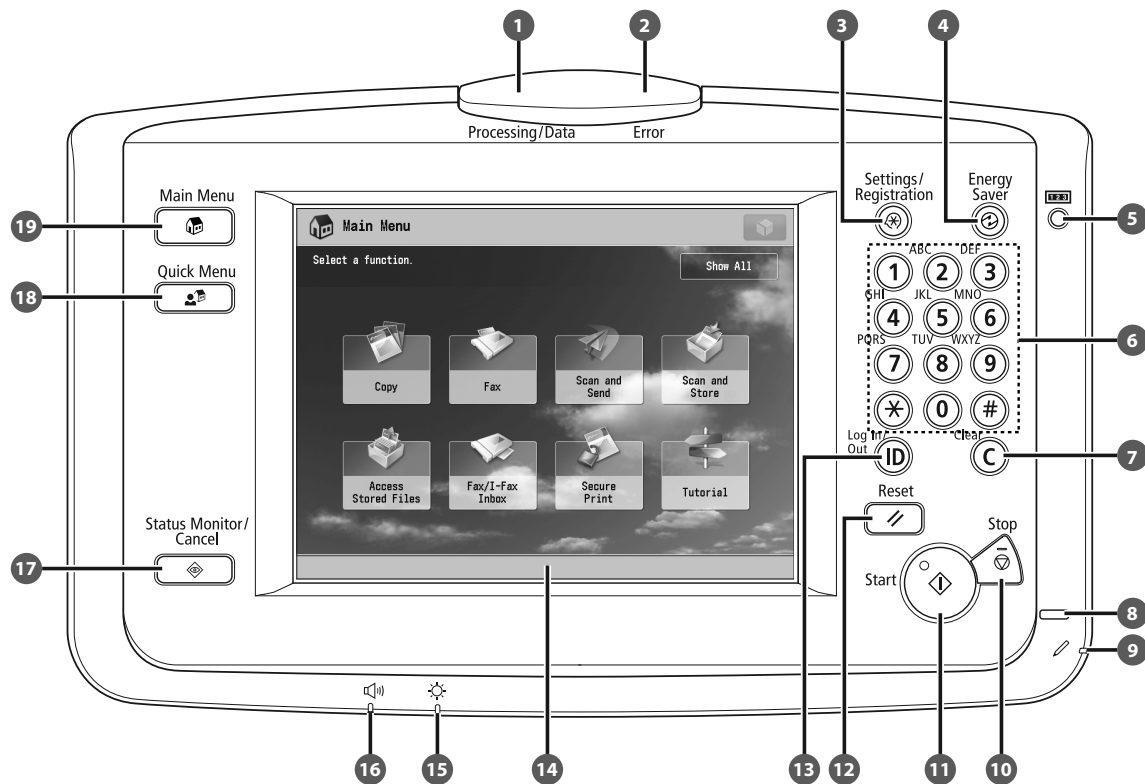
Open this cover to replace the toner cartridge.

4 Toner Cartridge

When toner runs out, pull out the toner cartridge, and replace it with a new one.

Control Panel Parts and Functions

Upright Control Panel



1 Processing/Data Indicator

Flashes or blinks green when the machine is performing operations, and maintains a steady green light when fax data is stored in memory.

2 Error Indicator

Flashes or lights if there is an error in the machine. When the Error indicator flashes, follow the instructions that appear on the touch panel display. When the Error indicator maintains a steady red light, contact your local authorized Canon dealer.

3 Settings/Registration key

Press to specify settings/registration.

4 Energy Saver key

Press to set or cancel the Sleep mode. Lights when the machine enters the Sleep mode.

5 Counter Check key

Press to display the copy and print count totals on the touch panel display.

6 Numeric keys

Press to enter numerical values.

7 Clear key

Press to clear entered values or characters.

8 Main Power Indicator

Lights when the main power is turned ON.

9 Edit Pen

Use when operating the touch panel display, such as to enter characters. If you lose the edit pen, contact your local authorized Canon dealer. Do not use an object with a sharp end on the control panel, such as a pencil or ballpoint pen, in place of the edit pen.

10 Stop key

Press to stop a job in progress, such as a scan, copy, or fax (scanning only) job.

11 Start key

Press to start an operation.

12 Reset key

Press to restore the standard settings of the machine.

13 ID (Log In/Out) key

Press to log in/out when a login service such as Department ID Management or SSO-H has been set.

14 Touch Panel Display

The settings screen for each function is shown on this display. Eight function keys are displayed by default.

15 Brightness Adjustment Dial

Use to adjust the brightness of the touch panel display.

16 Volume Settings key

Press to display the screen for adjusting settings, such as the transmission volume and fax sending/receiving alarm volume.

17 Status Monitor/Cancel key

Press to check the status of jobs or to cancel print jobs. Also, press to check status of the machine, such as checking the amount of paper remaining.

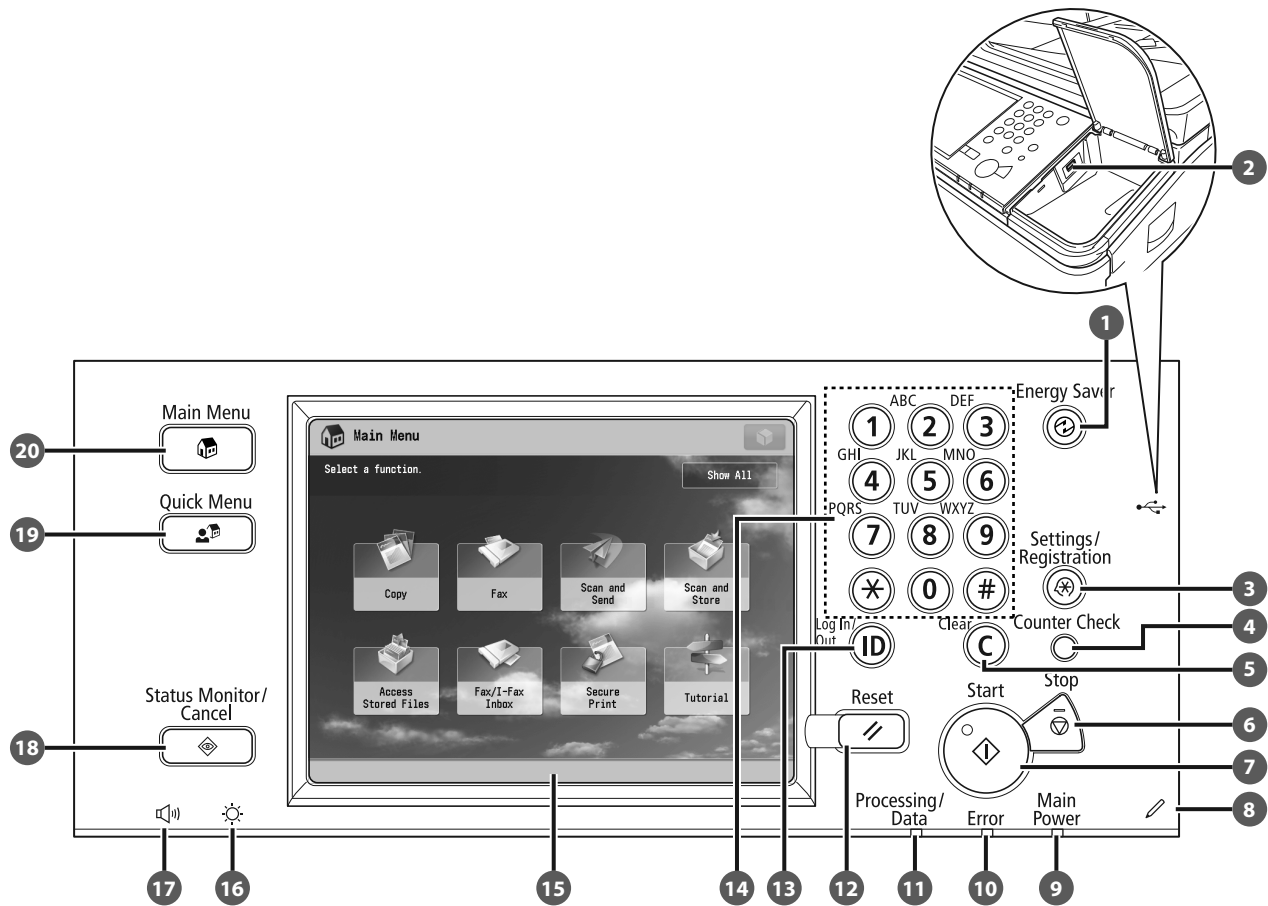
18 Quick Menu key

Press to retrieve favorite functions stored in Quick Menu. Also, if you are using authentication, Quick Menu set for each individual user can be displayed.

19 Main Menu key

Press to return to the Main Menu screen, such as when you want to switch functions.

Control Panel (Flat)



1 Energy Saver key

Press to set or cancel the Sleep mode. Lights when the machine enters the Sleep mode.

2 USB Port

Use the USB port to connect a USB device.

3 Settings/Registration key

Press to specify settings/registration.

4 Counter Check key

Press to display the copy and print count totals on the touch panel display.

5 Clear key

Press to clear entered values or characters.

6 Stop key

Press to stop a job in progress, such as a scan, copy, or fax (scanning only) job.

7 Start key

Press to start an operation.

8 Edit Pen

Use when operating the touch panel display, such as to enter characters. If you lose the edit pen, contact your local authorized Canon dealer. Do not use an object with a sharp end on the control panel, such as a pencil or ballpoint pen, in place of the edit pen.

9 Main Power Indicator

Lights when the main power is turned ON.

10 Error Indicator

Flashes or lights if there is an error in the machine. When the Error indicator flashes, follow the instructions that appear on the touch panel display. When the Error indicator maintains a steady red light, contact your local authorized Canon dealer.

11 Processing/Data Indicator

Flashes or blinks green when the machine is performing operations, and maintains a steady green light when fax data is stored in memory.

12 Reset key

Press to restore the standard settings of the machine.

13 ID (Log In/Out) key

Press to log in/out when a login service such as Department ID Management or SSO-H has been set.

14 Numeric keys

Press to enter numerical values.

15 Touch Panel Display

The settings screen for each function is shown on this display. Eight function keys are displayed by default.

16 Brightness Adjustment Dial

Use to adjust the brightness of the touch panel display.

17 Volume Settings key

Press to display the screen for adjusting settings, such as the transmission volume and fax sending/receiving alarm volume.

18 Status Monitor/Cancel key

Press to check the status of jobs or to cancel print jobs. Also, press to check status of the machine, such as checking the amount of paper remaining.

19 Quick Menu key

Press to retrieve favorite functions stored in Quick Menu. Also, if you are using authentication, Quick Menu set for each individual user can be displayed.

20 Main Menu key

Press to return to the Main Menu screen, such as when you want to switch functions.



Main Power and Energy Saver Key

This section describes how to use the main power switch and the Energy Saver key.

How to Turn ON the Main Power

This section explains how to turn ON the main power.

IMPORTANT

- If the main power indicator on the control panel does not light even though the main power switch is ON, be sure to check the breaker to see if it is OFF.
- If you want to turn OFF the main power and then back ON again, wait for at least 10 seconds after the main power indicator is turned OFF before turning ON the main power.

NOTE

- The machine can receive and print documents from a personal computer when it is in the Sleep mode. I-fax and fax documents can also be received while the machine is in the Sleep mode.
- You can shut down the machine from the Remote UI using the Remote Shutdown mode. For more information, see e-Manual > Remote UI.

1

Make sure that the power plug is firmly inserted into the power outlet.

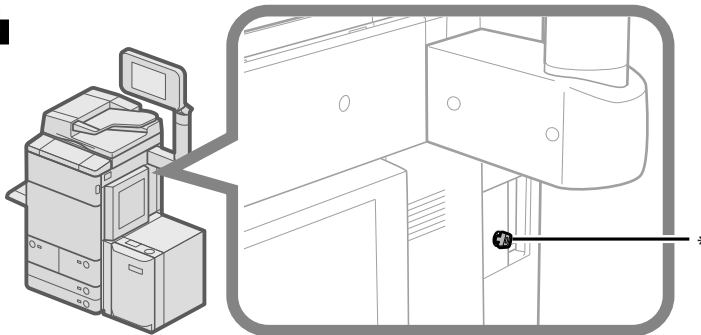


WARNING

Do not connect or disconnect the power cord with wet hands, as this may result in electrical shock.

2

If the Security Key is inserted into the machine, make sure that it is in the ON positions (turn it to the right).

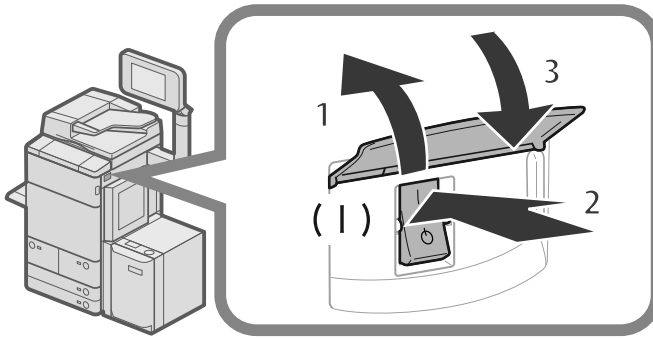


*** Security Key**

When using the machine, insert the security key into the main unit, and then turn it to the right.

3

Turn ON the main power.



1. Open the main power switch cover.
2. Press the main power switch to the "I" side.
3. Close the main power switch cover.

The main power indicator on the control panel lights when you turn ON the main power switch.


Various screens appear when system software is loading.

If you are using a login service, log in using the procedure for the login service you are using.

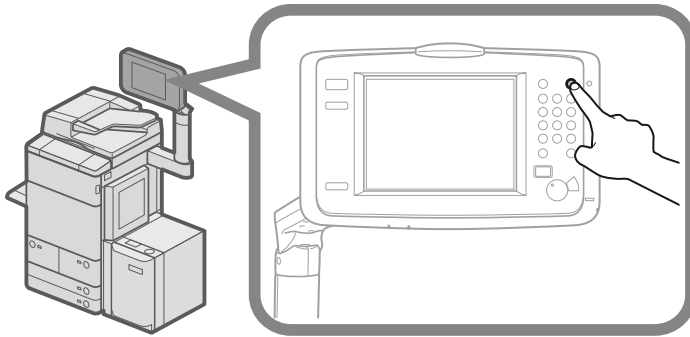
NOTE

- You can change the default display that appears after the machine is turned ON from [Default Screen after Startup/Restoration] on the Settings/Registration screen. (See e-Manual > Settings/Registration.)
- If this machine is connected to a powered off Macintosh computer by USB cable, the computer may turn on automatically when this machine does. In this case, disconnect the USB cable from the machine. You may also be able to solve this problem by using a USB hub between the machine and the Macintosh.
- The response of the buttons and keys may not be optimal immediately after you turn ON the main power of the machine.
- If you set [Quick Startup Settings for Main Power] to 'On' in [Preferences] (Settings/Registration), the tone sounds when turning ON the main power of the machine. (Depending on the situations, the machine does not startup quickly and the tone does not sound.)
- If the machine takes time to startup, see e-Manual > Settings/Registration.
- If you are using Department ID Management with the Copy Card Reader-F1, see e-Manual > Optional Products (imageRUNNER ADVANCE C9280 PRO/C9270 PRO) or Optional Products (imageRUNNER ADVANCE C7270/C7260).
- If you are using Department ID Management, see e-Manual > Basic Operations.
- If you are using SSO-H, see e-Manual > Basic Operations.

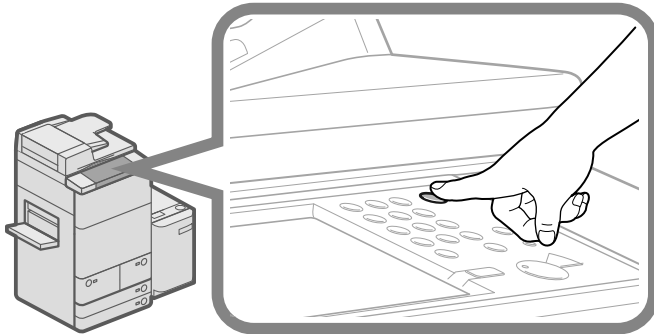
Energy Saver Key

If the machine is idle for a certain period of time, the machine will enter the Auto Sleep mode to minimize energy consumption. Press  (Energy Saver) to cancel the Sleep mode and resume normal machine operations.

● Upright Control Panel



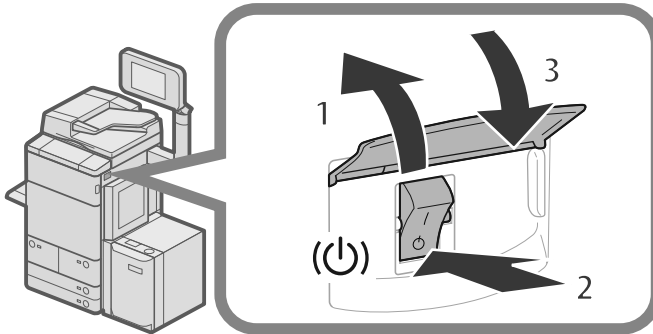
● Control Panel (Flat)



Shutting Down the Machine

This machine performs a procedure to protect the hard disk when the machine is shut down. This enables the machine to be shut down safely, even if there are any jobs being processed, or a MEAP application is running while the machine is shutting down.

Turn OFF the main power.



1. Open the main power switch cover.
2. Press the main power switch to the "OFF" side.
3. Close the main power switch cover.

IMPORTANT

- Do not turn the main power OFF while using the Fax/I-Fax function. Sending or receiving I-fax or fax documents cannot be done when the main power is turned OFF.
- If the message <Backing up stored data from the Remote UI...> is displayed on the touch panel display, do not turn the main power OFF. This may cause the machine cannot back up the stored data.
- Data stored in the machine may be damaged if the Advanced Box is accessed by another imageRUNNER ADVANCE machine or a computer immediately before the machine shuts down.
- The machine may take some time to completely shutdown. Do not unplug the power cord until the main power indicator of the machine is OFF.
- If the main power is turned OFF during scanning or printing, a paper jam may occur.

NOTE

If you set [Quick Startup Settings for Main Power] to 'On' in [Preferences] (Settings/Registration), the tone sounds when turning OFF the main power of the machine. (Depending on the situations, the machine does not startup quickly and the tone does not sound.)



Specifications

Specifications are subject to change without notice for product improvement or future release.

Main Unit

Item	Specifications
Name	Canon imageRUNNER ADVANCE C9280 PRO/C9270 PRO/C7270/C7260
Type	Reader-Printer Separated, Console type
Color Supported	Full Color
Resolution for Writing	1,200 dpi x 1,200 dpi
Paper Size/Weight/Type	<p>Paper Drawer 1, 2 (Left/Right):</p> <p>Weight: 14 lb bond to 80 lb cover (52 g/m² to 220 g/m²)</p> <p>Type: Thin (14 lb bond to 16 lb bond (52 g/m² to 63 g/m²)), Plain 1 (17 lb bond to 21 lb bond (64 g/m² to 81 g/m²)), Plain 2 (22 lb bond to 28 lb bond (82 g/m² to 105 g/m²)), Heavy 1 (29 lb bond to 40 lb bond (106 g/m² to 150 g/m²)), Heavy 2 (56 lb cover to 80 lb cover (151 g/m² to 220 g/m²)), Color, Recycled, Pre-Punched, Transparency, Bond, and Letterhead</p> <p>Paper Drawer 3, 4:</p> <p>Weight: 14 lb bond to 80 lb cover (52 g/m² to 220 g/m²)</p> <p>Type: Thin (14 lb bond to 16 lb bond (52 g/m² to 63 g/m²)), Plain 1 (17 lb bond to 21 lb bond (64 g/m² to 81 g/m²)), Plain 2 (22 lb bond to 28 lb bond (82 g/m² to 105 g/m²)), Heavy 1 (29 lb bond to 40 lb bond (106 g/m² to 150 g/m²)), Heavy 2 (56 lb cover to 80 lb cover (151 g/m² to 220 g/m²)), Color, Recycled, Pre-Punched, Transparency, Tab, Bond, and Letterhead</p> <p>Multi-Purpose Tray:</p> <p>Weight: 14 lb bond to 110 lb cover (52 g/m² to 300 g/m²)</p> <p>Type: Thin (14 lb bond to 16 lb bond (52 g/m² to 63 g/m²)), Plain 1 (17 lb bond to 21 lb bond (64 g/m² to 81 g/m²)), Plain 2 (22 lb bond to 28 lb bond (82 g/m² to 105 g/m²)), Heavy 1 (29 lb bond to 40 lb bond (106 g/m² to 150 g/m²)), Heavy 2 (56 lb cover to 80 lb cover (151 g/m² to 220 g/m²)), Heavy 3 (82 lb cover to 140 lb index (221 g/m² to 256 g/m²)), Heavy 4 (140 lb index to 110 lb cover (257 to 300 g/m²)), Color, Recycled, Pre-Punched, Transparency, Tracing, Labels, Bond, Letterhead, Coated, Textured, and Envelopes</p> <p>* The printing conditions may vary, depending on the paper type. For more information on paper types, see e-Manual > Basic Operations.</p>
Paper Sizes	<p>Paper Drawer 1, 2 (Left/Right): LTR</p> <p>Paper Drawer 3, 4: 13" x 19", 12 5/8" x 17 11/16", 12" x 18", 11" x 17", LGL, LTR, LTRR, EXEC, STMTR, and Custom Size (5 1/2" x 7 1/8" to 13" x 19 1/4" (139.7 x 182 mm to 330.2 mm x 487.7 mm))</p> <p>Multi-Purpose Tray: 13" x 19", 12 5/8" x 17 11/16", 12" x 18", 11" x 17", LGL, LTR, LTRR, EXEC, STMTR, and Custom Size (4" x 5 7/8" to 13" x 19 1/4" (100 mm x 148 mm to 330.2 mm x 487.7 mm)), and Envelopes</p>
Warm-Up Time	<p>After powering ON 31 seconds If [Quick Startup Settings for Main Power] is set to 'On', it takes 7 seconds until the key operation on the touch panel display is available after turning ON the main power of the machine. Depending on the situations, the machine does not startup quickly. If the hard disk capacity is 1 TB, the warm-up time becomes longer in the Quick Startup mode.</p> <p>Returning from the Sleep mode 30 seconds</p> <p>* At a room temperature of 68°F in all above cases. * Activation time may vary, depending on the environment and conditions under which the machine is being used.</p>

Item	Specifications																																																																																																									
First Copy Time	Full color imageRUNNER ADVANCE C9280 PRO: 6.0 seconds ¹ imageRUNNER ADVANCE C9270 PRO/C7270/C7260: 6.6 seconds ¹ Black-and-White: imageRUNNER ADVANCE C9280 PRO: 4.4 seconds ² imageRUNNER ADVANCE C9270 PRO/C7270/C7260: 4.9 seconds ² *1 When "Color Priority" is selected. *2 When "Black Priority" is selected.																																																																																																									
Copy Speed ¹	<table border="1"> <thead> <tr> <th data-bbox="474 333 773 453">Direct (sheets/minute)</th> <th data-bbox="773 333 935 453">imageRUNNER ADVANCE C9280 PRO</th> <th data-bbox="935 333 1097 453">imageRUNNER ADVANCE C9270 PRO</th> <th data-bbox="1097 333 1260 453">imageRUNNER ADVANCE C7270</th> <th data-bbox="1260 333 1461 453">imageRUNNER ADVANCE C7260</th> </tr> </thead> <tbody> <tr> <td data-bbox="474 453 773 491"><Full Color></td> <td></td> <td></td> <td></td> <td></td> </tr> <tr> <td data-bbox="474 491 773 529">13" x 19"</td> <td data-bbox="773 491 935 529">31</td> <td data-bbox="935 491 1097 529">29</td> <td data-bbox="1097 491 1260 529">27²</td> <td data-bbox="1260 491 1461 529">25²</td> </tr> <tr> <td data-bbox="474 529 773 567">12 5/8" x 17 3/4"</td> <td data-bbox="773 529 935 567">34</td> <td data-bbox="935 529 1097 567">31</td> <td data-bbox="1097 529 1260 567">29²</td> <td data-bbox="1260 529 1461 567">26²</td> </tr> <tr> <td data-bbox="474 567 773 604">12" x 18"</td> <td data-bbox="773 567 935 604">33</td> <td data-bbox="935 567 1097 604">31</td> <td data-bbox="1097 567 1260 604">28²</td> <td data-bbox="1260 567 1461 604">26²</td> </tr> <tr> <td data-bbox="474 604 773 642">11" x 17"</td> <td data-bbox="773 604 935 642">35</td> <td data-bbox="935 604 1097 642">33</td> <td data-bbox="1097 604 1260 642">30</td> <td data-bbox="1260 604 1461 642">28</td> </tr> <tr> <td data-bbox="474 642 773 680">LGL</td> <td data-bbox="773 642 935 680">42</td> <td data-bbox="935 642 1097 680">39</td> <td data-bbox="1097 642 1260 680">36</td> <td data-bbox="1260 642 1461 680">33</td> </tr> <tr> <td data-bbox="474 680 773 718">LTR</td> <td data-bbox="773 680 935 718">70</td> <td data-bbox="935 680 1097 718">65</td> <td data-bbox="1097 680 1260 718">60</td> <td data-bbox="1260 680 1461 718">55</td> </tr> <tr> <td data-bbox="474 718 773 756">LTRR</td> <td data-bbox="773 718 935 756">53</td> <td data-bbox="935 718 1097 756">49</td> <td data-bbox="1097 718 1260 756">45</td> <td data-bbox="1260 718 1461 756">41</td> </tr> <tr> <td data-bbox="474 756 773 793">EXEC</td> <td data-bbox="773 756 935 793">70</td> <td data-bbox="935 756 1097 793">65</td> <td data-bbox="1097 756 1260 793">60</td> <td data-bbox="1260 756 1461 793">55</td> </tr> <tr> <td data-bbox="474 793 773 831">STMTR</td> <td data-bbox="773 793 935 831">70</td> <td data-bbox="935 793 1097 831">65</td> <td data-bbox="1097 793 1260 831">60</td> <td data-bbox="1260 793 1461 831">55</td> </tr> <tr> <td data-bbox="474 831 773 869"><Black-and-White></td> <td></td> <td></td> <td></td> <td></td> </tr> <tr> <td data-bbox="474 869 773 907">13" x 19"</td> <td data-bbox="773 869 935 907">36</td> <td data-bbox="935 869 1097 907">31</td> <td data-bbox="1097 869 1260 907">31²</td> <td data-bbox="1260 869 1461 907">27²</td> </tr> <tr> <td data-bbox="474 907 773 945">12 5/8" x 17 3/4"</td> <td data-bbox="773 907 935 945">38</td> <td data-bbox="935 907 1097 945">34</td> <td data-bbox="1097 907 1260 945">34²</td> <td data-bbox="1260 907 1461 945">29²</td> </tr> <tr> <td data-bbox="474 945 773 982">12" x 18"</td> <td data-bbox="773 945 935 982">38</td> <td data-bbox="935 945 1097 982">33</td> <td data-bbox="1097 945 1260 982">33²</td> <td data-bbox="1260 945 1461 982">28²</td> </tr> <tr> <td data-bbox="474 982 773 1020">11" x 17"</td> <td data-bbox="773 982 935 1020">40</td> <td data-bbox="935 982 1097 1020">35</td> <td data-bbox="1097 982 1260 1020">35</td> <td data-bbox="1260 982 1461 1020">30</td> </tr> <tr> <td data-bbox="474 1020 773 1058">LGL</td> <td data-bbox="773 1020 935 1058">48</td> <td data-bbox="935 1020 1097 1058">42</td> <td data-bbox="1097 1020 1260 1058">42</td> <td data-bbox="1260 1020 1461 1058">36</td> </tr> <tr> <td data-bbox="474 1058 773 1096">LTR</td> <td data-bbox="773 1058 935 1096">80</td> <td data-bbox="935 1058 1097 1096">70</td> <td data-bbox="1097 1058 1260 1096">70</td> <td data-bbox="1260 1058 1461 1096">60</td> </tr> <tr> <td data-bbox="474 1096 773 1134">LTRR</td> <td data-bbox="773 1096 935 1134">60</td> <td data-bbox="935 1096 1097 1134">53</td> <td data-bbox="1097 1096 1260 1134">53</td> <td data-bbox="1260 1096 1461 1134">45</td> </tr> <tr> <td data-bbox="474 1134 773 1171">EXEC</td> <td data-bbox="773 1134 935 1171">80</td> <td data-bbox="935 1134 1097 1171">70</td> <td data-bbox="1097 1134 1260 1171">70</td> <td data-bbox="1260 1134 1461 1171">60</td> </tr> <tr> <td data-bbox="474 1171 773 1209">STMTR</td> <td data-bbox="773 1171 935 1209">80</td> <td data-bbox="935 1171 1097 1209">70</td> <td data-bbox="1097 1171 1260 1209">70</td> <td data-bbox="1260 1171 1461 1209">60</td> </tr> </tbody> </table> <p data-bbox="474 1209 1466 1289">The copy speed may vary, depending on the settings for paper type, paper size, and the sending method. When continuously copying, adjustments for machine temperature or image quality may cause machine operations to pause or become slow.</p> <p data-bbox="474 1289 1466 1318">*1 Except when paper is fed from the multi-purpose tray.</p> <p data-bbox="474 1318 1466 1346">*2 The copy speed may become slow just after starting copying.</p>	Direct (sheets/minute)	imageRUNNER ADVANCE C9280 PRO	imageRUNNER ADVANCE C9270 PRO	imageRUNNER ADVANCE C7270	imageRUNNER ADVANCE C7260	<Full Color>					13" x 19"	31	29	27 ²	25 ²	12 5/8" x 17 3/4"	34	31	29 ²	26 ²	12" x 18"	33	31	28 ²	26 ²	11" x 17"	35	33	30	28	LGL	42	39	36	33	LTR	70	65	60	55	LTRR	53	49	45	41	EXEC	70	65	60	55	STMTR	70	65	60	55	<Black-and-White>					13" x 19"	36	31	31 ²	27 ²	12 5/8" x 17 3/4"	38	34	34 ²	29 ²	12" x 18"	38	33	33 ²	28 ²	11" x 17"	40	35	35	30	LGL	48	42	42	36	LTR	80	70	70	60	LTRR	60	53	53	45	EXEC	80	70	70	60	STMTR	80	70	70	60
Direct (sheets/minute)	imageRUNNER ADVANCE C9280 PRO	imageRUNNER ADVANCE C9270 PRO	imageRUNNER ADVANCE C7270	imageRUNNER ADVANCE C7260																																																																																																						
<Full Color>																																																																																																										
13" x 19"	31	29	27 ²	25 ²																																																																																																						
12 5/8" x 17 3/4"	34	31	29 ²	26 ²																																																																																																						
12" x 18"	33	31	28 ²	26 ²																																																																																																						
11" x 17"	35	33	30	28																																																																																																						
LGL	42	39	36	33																																																																																																						
LTR	70	65	60	55																																																																																																						
LTRR	53	49	45	41																																																																																																						
EXEC	70	65	60	55																																																																																																						
STMTR	70	65	60	55																																																																																																						
<Black-and-White>																																																																																																										
13" x 19"	36	31	31 ²	27 ²																																																																																																						
12 5/8" x 17 3/4"	38	34	34 ²	29 ²																																																																																																						
12" x 18"	38	33	33 ²	28 ²																																																																																																						
11" x 17"	40	35	35	30																																																																																																						
LGL	48	42	42	36																																																																																																						
LTR	80	70	70	60																																																																																																						
LTRR	60	53	53	45																																																																																																						
EXEC	80	70	70	60																																																																																																						
STMTR	80	70	70	60																																																																																																						
Margin	Top: 1/8" (4.0 mm) Left and Right: 1/8" (2.5 mm) Bottom: 1/8" (2.0 mm)																																																																																																									
Paper Feeding System/Capacity	Paper Drawer 1, 2 (Left/Right): 1,100 sheets x 2 paper decks (20 lb bond (80 g/m ²)) 1,250 sheets x 2 paper decks (17 lb bond (64 g/m ²)) Paper Drawer 3, 4: 550 sheets x 2 cassettes (20 lb bond (80 g/m ²)) 680 sheets x 2 cassettes (17 lb bond (64 g/m ²)) Multi-Purpose Tray 100 sheets (20 lb bond (80 g/m ²))																																																																																																									
Multiple Copies	1 to 9,999 sheets																																																																																																									
Power Source	imageRUNNER ADVANCE C9280 PRO/C9270 PRO: 208 V AC, 60 Hz, 15 A imageRUNNER ADVANCE C7270/C7260: 120 V AC, 60 Hz, 20 A																																																																																																									

Item	Specifications
Maximum Power Consumption	imageRUNNER ADVANCE C9280 PRO/C9270 PRO: 2.5 kW or less imageRUNNER ADVANCE C7270/C7260: 2 kW or less When in the Sleep mode 0.9 W When the main power switch is turned OFF: [Quick Startup Settings for Main Power] is set to 'OFF': 0.3 W [Quick Startup Settings for Main Power] is set to 'ON': 0.45 W * The power consumption may vary, depending on the environment and conditions under which the machine is being used.
Memory Capacity	Standard: 2 GB Maximum: 2.5 GB
Hard Disk Capacity	Standard: 160 GB (Used space: 160 GB) Maximum: 1 TB (Used space: 1 TB) * The hard disk capacity is subject to change in future release.
Dimensions (H x W x D) (To the platen glass)	41" x 27 1/8" x 36 3/4" (1,040 mm x 689 mm x 932 mm)
Dimensions (H x W x D) (With the Duplex Color Image Reader Unit-F1)	imageRUNNER ADVANCE C9280 PRO/C9270 PRO: Without the Upright Control Panel-B1 ^{*1} : 48 1/8" x 27 1/8" x 36 3/4" (1,221 mm x 689 mm x 932 mm) With the Upright Control Panel-B1 ^{*2} : 55 1/4" ^{*1} x 46 1/2" ^{*2} x 36 3/4" (1,403 mm x 1180 mm x 932 mm) imageRUNNER ADVANCE C7270/C7260: 48 1/8" x 27 1/8" x 36 3/4" (1,221 mm x 689 mm x 932 mm) *1 To the top of the upright control panel in the standard position. *2 To the right edge of the upright control panel in the standard position.
Weight (Including the toner bottle)	imageRUNNER ADVANCE C9280 PRO/C9270 PRO: Approximately 615 lb (279 kg) imageRUNNER ADVANCE C7270/C7260: Approximately 604 lb (274 kg)
Installation Space (W x D)	imageRUNNER ADVANCE C9280 PRO/C9270 PRO: Without the Upright Control Panel-B1: 52 7/8" x 36 3/4" (1,344 mm x 932 mm) With the Upright Control Panel-B1: 63" x 36 3/4" (1,600 mm x 932 mm) imageRUNNER ADVANCE C7270/C7260: 52 7/8" x 36 3/4" (1,344 mm x 932 mm) (when the Copy Tray-P1 and Duplex Color Image Reader Unit-F1 are attached, and the multi-purpose tray and the auxiliary tray are extended)

Duplex Color Image Reader Unit-F1

Item	Specifications
Type	Printer separated, Stream feed (Feeder), No stream (Reader)
Resolution for Reading	600 dpi x 600 dpi
Number of Tones	256
Acceptable Originals	sheet, book, three dimensional object (up to 4.4 lb (2kg))
Size and Weight of Originals	Size: 11" x 17", LGL, LTR, LTRR, STMT, and STMTR Weight: 1-sided scanning: 13 lb bond to 80 lb cover (50 g/m ² to 220 g/m ²) 2-sided scanning: 13 lb bond to 80 lb cover (50 g/m ² to 220 g/m ²) (Black and White Original) 17 lb bond to 80 lb cover (64 g/m ² to 220 g/m ²) (Color Original)
Magnification	Regular paper size: Same Ratio Direct Reduction 1 : 0.78 (LGL → LTR) 1 : 0.73 (11" x 17" → LGL, 11" x 15" → LTR) 1 : 0.64 (11" x 17" → LTR) 1 : 0.50 (11" x 17" → STMT) 1 : 0.25 Enlargement 1 : 1.21 (LGL → 11" x 17") 1 : 1.29 (LTR → 11" x 17") 1 : 2.00 (STMT → 11" x 17") 1 : 4.00 Copy Ratio: 25% to 400% (in 1% increments)
Original Feeding Mechanism	Automatic Document Feeder
Original Tray Capacity	300 sheets (20 lb bond (80 g/m ²))
Original Scanning Speed	Copying 1-sided scanning: 120 sheets/minute* ¹ (LTR in Black-and-White at 600 dpi) 70 sheets/minute (LTR in Full Color at 600 dpi) 2-sided scanning: 60 sheets/minute (120 pages)* ¹ (LTR in Black-and-White at 600 dpi) 35 sheets/minute (70 pages) (LTR in Full Color at 600 dpi) Scanning 1-sided scanning: 120 sheets/minute (LTR in Black-and-White/Full Color at 300 dpi) 2-sided scanning: 100 sheets/minute (200 pages)* ¹ (LTR in Black-and-White at 300 dpi) 70 sheets/minute (140 pages) (LTR in Full Color at 300 dpi) * ¹ When "Speed Priority" is selected. * The scanning speed may vary, depending on the scanning mode and original type.
Power Source/Consumption	From the main unit/Approximately 185 W (feeder and reader)
Dimensions (H x W x D)	10" x 25" x 23 7/8" (253 mm x 635 mm x 605 mm) (feeder and reader)
Weight	Approximately 87.1 lb (39.5 kg) (feeder and reader)

Paper Deck Unit-C1

Item	Specifications
Paper Size/Weight/Type	<p>Size: LTR</p> <p>Weight: 14 lb bond to 80 lb cover (52 g/m² to 220 g/m²)</p> <p>Type: Thin (14 lb bond to 16 lb bond (52 g/m² to 63 g/m²)), Plain 1 (17 lb bond to 21 lb bond (64 g/m² to 81 g/m²)), Plain 2 (22 lb bond to 28 lb bond (82 g/m² to 105 g/m²)), Heavy 1 (29 lb bond to 40 lb bond (106 g/m² to 150 g/m²)), Heavy 2 (56 lb cover to 80 lb cover (151 g/m² to 220 g/m²)), Color, Recycled, and Pre-Punched</p>
Paper Deck Capacity	3,500 sheets (20 lb bond (80 g/m ²))
Power Source/Maximum Power Consumption	From the main unit/Approximately 44 W
Dimensions (H x W x D)	22 1/2" x 12 3/4" x 23" (570 mm x 323 mm x 583 mm)
Weight	Approximately 81.6 lb (37 kg)
Installation Space Including the Main Unit (W x D)	<p>imageRUNNER ADVANCE C9280 PRO/C9270 PRO: Without the Upright Control Panel-B1: 54 7/8" x 36 3/4" (1,393 mm x 932 mm)</p> <p>With the Upright Control Panel-B1: 63"* x 36 3/4" (1,600 mm¹ x 932 mm)</p> <p>imageRUNNER ADVANCE C7270/C7260: 54 7/8" x 36 3/4" (1,393 mm x 932 mm) (when the Copy Tray-P1 and Duplex Color Image Reader Unit-F1 are attached, and the auxiliary tray is extended)</p> <p>*1 To the right edge of the upright control panel in the standard position</p>

POD Deck Lite-A1

Item	Specifications
Paper Size/Weight/Type	<p>Size: 13" x 19", 12 5/8" x 17 11/16", 12" x 18", 11" x 17", LGL, LTR, and LTRR</p> <p>Weight: 14 lb bond to 110 lb cover (52 g/m² to 300 g/m²)</p> <p>Type: Thin (14 lb bond to 16 lb bond (52 g/m² to 63 g/m²)), Plain 1 (17 lb bond to 21 lb bond (64 g/m² to 81 g/m²)), Plain 2 (22 lb bond to 28 lb bond (82 g/m² to 105 g/m²)), Heavy 1 (29 lb bond to 40 lb bond (106 g/m² to 150 g/m²)), Heavy 2 (56 lb cover to 80 lb cover (151 g/m² to 220 g/m²)), Heavy 3 (82 lb cover to 140 lb index (221 g/m² to 256 g/m²)), Heavy 4 (140 lb index to 110 lb cover (257 to 300 g/m²)), Color, Recycled, Pre-Punched, Bond, Labels, Transparency, Coated, Textured, and Letterhead</p>
Paper Deck Capacity	3,500 sheets (20 lb bond (80 g/m ²))
Power Source/Maximum Power Consumption	120-127 V AC, 60 Hz, 2.4 A/Approximately 263 W
Dimensions (H x W x D)	22 1/2" x 23 5/8" x 24 1/2" (570 mm x 601 mm x 621 mm)
Weight	Approximately 110 lb (50 kg)
Installation Space Including the Main Unit (W x D)	65 3/4" x 36 3/4" (1,671 mm x 932 mm) (when the Copy Tray-P1 and Duplex Color Image Reader Unit-F1 are attached, and the auxiliary tray is extended)

Multi-drawer Paper Deck-A1

Item	Specifications
Paper Size/Weight/Type	<p>Size: 13" x 19", 12 5/8" x 17 11/16", 12" x 18", 11" x 17", LGL, LTR, LTRR, EXEC, and Custom Size (5 1/2" x 7 1/8" to 13" x 19 1/4" (139.7 mm x 182 mm to 330.2 mm x 487.7 mm))</p> <p>Weight: 14 lb bond to 110 lb cover (52 g/m² to 300 g/m²)</p> <p>Type: Thin (14 lb bond to 16 lb bond (52 g/m² to 63 g/m²)), Plain 1 (17 lb bond to 21 lb bond (64 g/m² to 81 g/m²)), Plain 2 (22 lb bond to 28 lb bond (82 g/m² to 105 g/m²)), Heavy 1 (29 lb bond to 40 lb bond (106 g/m² to 150 g/m²)), Heavy 2 (56 lb cover to 80 lb cover (151 g/m² to 220 g/m²)), Heavy 3 (82 lb cover to 140 lb index (221 g/m² to 256 g/m²)), Heavy 4 (140 lb index to 110 lb cover (257 to 300 g/m²)), Color, Recycled, Pre-Punched, Transparency, Labels, Tab, Bond, Letterhead, Coated, and Textured</p>
Paper Deck Capacity	2,000 sheets x 3 paper decks (20 lb bond (80 g/m ²))
Power Source/Maximum Power Consumption	120-127 V AC, 60 Hz, 4 A/Approximately 753 W
Dimensions (H x W x D)	41" x 37 3/8" x 31 3/8" (1,040 mm x 950 mm x 797 mm)
Weight	Approximately 331 lb (150 kg)
Installation Space Including the Main Unit (W x D)	<p>imageRUNNER ADVANCE C9280 PRO/C9270 PRO: 79 1/2" x 36 3/4" (2,020 mm x 932 mm) (when the Copy Tray-P1 and Duplex Color Image Reader Unit-F1 are attached, and the auxiliary tray is extended)</p>

Document Insertion Unit-H1

Item	Specifications
Paper Size/Weight/Type	<p>Size: 13" x 19", 12 5/8" x 17 11/16", 12" x 18", 11" x 17", LGL, LTR, LTRR, EXEC, and Custom Size (7 1/8" x 7 1/8" to 13" x 19 1/4" (182 mm x 182 mm to 330.2 mm x 487.7 mm))</p> <p>Weight: 14 lb bond to 110 lb cover (52 g/m² to 300 g/m²)</p> <p>Type: Thin (14 lb bond to 16 lb bond (52 g/m² to 63 g/m²)), Plain 1 (17 lb bond to 21 lb bond (64 g/m² to 81 g/m²)), Plain 2 (22 lb bond to 28 lb bond (82 g/m² to 105 g/m²)), Heavy 1 (29 lb bond to 40 lb bond (106 g/m² to 150 g/m²)), Heavy 2 (56 lb cover to 80 lb cover (151 g/m² to 220 g/m²)), Heavy 3 (82 lb cover to 140 lb index (221 g/m² to 256 g/m²)), Heavy 4 (140 lb index to 110 lb cover (257 to 300 g/m²)), Color, Recycled, Pre-Punched, Tab, Bond, Letterhead, Coated, Textured, and Tracing</p>
Paper Capacity	Upper/Lower Tray: 200 sheets (20 lb bond (80 g/m ²)) x 2
Power Source/Maximum Power Consumption	100-240 V AC, 50/60 Hz, 2.8 A/Approximately 103 W
Dimensions (H x W x D)	55 3/8" x 29 3/8" x 31 1/4" (1,407 mm x 746 mm x 793 mm)
Weight	Approximately 134 lb (61 kg)
Installation Space Including the Main Unit (W x D)	<p>imageRUNNER ADVANCE C9280 PRO/C9270 PRO:</p> <p>Without the Upright Control Panel-B1: 88 1/8" x 36 3/4" (2,237 mm x 932 mm)</p> <p>With the Upright Control Panel-B1: 98 1/8" x 36 3/4" (2,493 mm x 932 mm)</p> <p>(when the Staple Finisher-K1 is attached, and the multi-purpose tray and the auxiliary tray are extended (including the Buffer Pass Unit-J1))</p> <p>Without the Upright Control Panel-B1: 92 5/8" x 36 3/4" (2,351 mm x 932 mm)</p> <p>With the Upright Control Panel-B1: 102 5/8" x 36 3/4" (2,607 mm x 932 mm)</p> <p>(when the Booklet Finisher-K1 is attached, and the multi-purpose tray and the auxiliary tray are extended (including the Buffer Pass Unit-J1))</p>

Document Insertion/Folding Unit-G1

Item	Specifications
Paper Size/Weight/Type	<p>Size:</p> <p>Z-Fold: LTRR, LGL, and 11" x 17"</p> <p>C-Fold: LTRR</p> <p>Insertion Unit: 13" x 19", 12 5/8" x 17 11/16", 12" x 18", 11" x 17", LGL, LTR, LTRR, and EXEC</p> <p>Weight:</p> <p>Z-Fold: 16 lb bond to 28 lb bond (60 g/m² to 105 g/m²)</p> <p>C-Fold: 16 lb bond to 28 lb bond (60 g/m² to 105 g/m²)</p> <p>Insertion Unit: 16 lb bond to 140 lb index (60 g/m² to 256 g/m²)</p> <p>Type:</p> <p>C-Fold/Z-Fold: Thin (14 lb bond to 16 lb bond (52 g/m² to 63 g/m²)), Plain 1 (17 lb bond to 21 lb bond (64 g/m² to 81 g/m²)), Plain 2 (22 lb bond to 28 lb bond (82 g/m² to 105 g/m²)), Color, and Recycled</p> <p>Insertion Unit: Thin (14 lb bond to 16 lb bond (52 g/m² to 63 g/m²)), Plain 1 (17 lb bond to 21 lb bond (64 g/m² to 81 g/m²)), Plain 2 (22 lb bond to 28 lb bond (82 g/m² to 105 g/m²)), Heavy 1 (29 lb bond to 40 lb bond (106 g/m² to 150 g/m²)), Heavy 2 (56 lb cover to 80 lb cover (151 g/m² to 220 g/m²)), Heavy 3 (82 lb cover to 140 lb index (221 g/m² to 256 g/m²)), Color, Recycled, Tab, Bond, Letterhead, Coated, and Textured</p>
Capacity of the exit slot of the paper folding unit	C-Fold: 40 sheets (20 lb bond (80 g/m ²) (or 2 3/8" (60 mm) in height)
Capacity of the document insertion unit	100 sheets (20 lb bond (80 g/m ²))
Power Source/Maximum Power Consumption	100-240 V AC, 50/60 Hz, 1.0 A/Approximately 136 W
Dimensions (H x W x D)	48 7/8" x 26 1/8" x 26 3/4" (1,242 mm x 662 mm x 679 mm)
Weight	Approximately 168 lb (76 kg)
Installation Space Including the Main Unit (W x D)	imageRUNNER ADVANCE C7270/C7260: 83 7/8" x 36 3/4" (2,130 mm x 932 mm) (when the Staple Finisher-L1/Booklet Finisher-L1 is attached, and the multi-purpose tray and the auxiliary tray are extended (including the Buffer Pass Unit-J1))

Paper Folding Unit-G1

Item	Specifications
Paper Size/Weight/Type	<p>Size:</p> <ul style="list-style-type: none"> Z-Fold: <ul style="list-style-type: none"> LTRR, LGL, and 11" x 17" C-Fold: <ul style="list-style-type: none"> LTRR Accordion Z-Fold: <ul style="list-style-type: none"> LTRR Double Parallel Fold: <ul style="list-style-type: none"> LTRR and LGL Half Fold: <ul style="list-style-type: none"> LTRR <p>Weight:</p> <ul style="list-style-type: none"> Z-Fold: <ul style="list-style-type: none"> 14 lb bond to 28 lb bond (52 g/m² to 105 g/m²) C-Fold: <ul style="list-style-type: none"> 14 lb bond to 28 lb bond (52 g/m² to 105 g/m²) Accordion Z-Fold: <ul style="list-style-type: none"> 14 lb bond to 28 lb bond (52 g/m² to 105 g/m²) Double Parallel Fold: <ul style="list-style-type: none"> 14 lb bond to 24 lb bond (52 g/m² to 90 g/m²) Half Fold: <ul style="list-style-type: none"> 14 lb bond to 28 lb bond (52 g/m² to 105 g/m²) <p>Type:</p> <ul style="list-style-type: none"> Thin (14 lb bond to 16 lb bond (52 g/m² to 63 g/m²)), Plain 1 (17 lb bond to 21 lb bond (64 g/m² to 81 g/m²)), Plain 2 (22 lb bond to 28 lb bond (82 g/m² to 105 g/m²)), Color, Recycled, and Bond
Power Source/Maximum Power Consumption	From the finisher/Approximately 132 W
Dimensions (H x W x D)	46 7/8" x 13 1/4" x 31 1/4" (1,190 mm x 336 mm x 793 mm)
Weight	Approximately 157 lb (71 kg)
Installation Space Including the Main Unit (W x D)	<p>imageRUNNER ADVANCE C9280 PRO/C9270 PRO:</p> <ul style="list-style-type: none"> Without the Upright Control Panel-B1: <ul style="list-style-type: none"> 88 1/8" x 36 3/4" (2,237 mm x 932 mm) With the Upright Control Panel-B1: <ul style="list-style-type: none"> 98 1/8" x 36 3/4" (2,493 mm x 932 mm) (when the Staple Finisher-K1 is attached, and the multi-purpose tray and the auxiliary tray are extended (including the Buffer Pass Unit-J1)) Without the Upright Control Panel-B1: <ul style="list-style-type: none"> 92 5/8" x 36 3/4" (2,351 mm x 932 mm) With the Upright Control Panel-B1: <ul style="list-style-type: none"> 102 5/8" x 36 3/4" (2,607 mm x 932 mm) (when the Booklet Finisher-K1 is attached, and the multi-purpose tray and the auxiliary tray are extended (including the Buffer Pass Unit-J1))

Document Insertion Unit-J1

Item	Specifications
Paper Size/Weight/Type	<p>Size: 13" x 19", 12 5/8" x 17 11/16", 12" x 18", 11" x 17", LGL, LTR, LTRR, and EXEC</p> <p>Weight: 16 lb bond to 140 lb index (60 g/m² to 256 g/m²)</p> <p>Type: Thin (14 lb bond to 16 lb bond (52 g/m² to 63 g/m²)), Plain 1 (17 lb bond to 21 lb bond (64 g/m² to 81 g/m²)), Plain 2 (22 lb bond to 28 lb bond (82 g/m² to 105 g/m²)), Heavy 1 (29 lb bond to 40 lb bond (106 g/m² to 150 g/m²)), Heavy 2 (56 lb cover to 80 lb cover (151 g/m² to 220 g/m²)), Heavy 3 (82 lb cover to 140 lb index (221 g/m² to 256 g/m²)), Color, Recycled, Tab, Bond, Letterhead, Coated, and Textured</p>
Paper Capacity	100 sheets (20 lb bond (80 g/m ²))
Power Source	100-240 V, 50/60 Hz, 1.0 A
Maximum Power Consumption	Approximately 85 W
Dimensions (H x W x D)	48 7/8 x 26 1/8" x 26 3/4" (1,242 mm x 662 mm x 679 mm)
Weight	Approximately 88.2 lb (40 kg)
Installation Space Including the Main Unit (W x D)	<p>imageRUNNER ADVANCE C7270/C7260: 82 3/4" x 36 3/4" (2,103 mm x 932 mm) (when the Staple Finisher-L1/Booklet Finisher-L1 is attached, and the multi-purpose tray and the auxiliary tray are extended (including the Buffer Pass Unit-J1))</p>

Copy Tray-P1

Item	Specifications
Paper Size/Weight/Type	<p>Size: 13" x 19", 12 5/8" x 17 11/16", 12" x 18", 11" x 17", LGL, LTR, LTRR, EXEC, STMTR, Custom Size (4" x 5 7/8" to 13" x 19 1/4" (100 mm x 148 mm to 330.2 mm x 487.7 mm)), and Envelopes</p> <p>Weight: 14 lb bond to 110 lb cover (52 g/m² to 300 g/m²)</p> <p>Type: Thin (14 lb bond to 16 lb bond (52 g/m² to 63 g/m²)), Plain 1 (17 lb bond to 21 lb bond (64 g/m² to 81 g/m²)), Plain 2 (22 lb bond to 28 lb bond (82 g/m² to 105 g/m²)), Heavy 1 (29 lb bond to 40 lb bond (106 g/m² to 150 g/m²)), Heavy 2 (56 lb cover to 80 lb cover (151 g/m² to 220 g/m²)), Heavy 3 (82 lb cover to 140 lb index (221 g/m² to 256 g/m²)), Heavy 4 (140 lb index to 110 lb cover (257 to 300 g/m²)), Color, Recycled, Pre-Punched, Transparency, Tracing, Labels, Tab, Bond, Letterhead, Coated, Textured, and Envelopes</p>
Paper Capacity	<p>1-side : 250 sheets (20 lb bond (80 g/m²)) 2-side : 100 sheets (20 lb bond (80 g/m²))</p>
Dimensions (H x W x D)	6 7/8" x 16 1/2" x 15" (175 mm x 420 mm x 382 mm)
Weight	Approximately 2.9 lb (1.3 kg)
Installation Space Including the Main Unit (W x D)	<p>imageRUNNER ADVANCE C9280 PRO/C9270 PRO: Without the Upright Control Panel-B1: 52 7/8" x 36 3/4" (1,344 mm x 932 mm) With the Upright Control Panel-B1: 63"^{*1} x 36 3/4" (1,600 mm^{*1} x 932 mm) imageRUNNER ADVANCE C7270/C7260: 52 7/8" x 36 3/4" (1,344 mm x 932 mm) *1 To the right edge of the upright control panel in the standard position. (when the auxiliary tray is extended)</p>

Staple Finisher-K1

Item	Specifications
Paper Size/Weight/Type	<p>Size: 13" x 19", 12 5/8" x 17 11/16", 12" x 18", 11" x 17", LGL, LTR, LTRR, EXEC, STMTR, Custom Size (4" x 5 7/8" to 13" x 19 1/4" (100 mm x 148 mm to 330.2 mm x 487.7 mm)), and Envelopes</p> <p>Weight: 14 lb bond to 110 lb cover (52 g/m² to 300 g/m²)</p> <p>Type: Thin (14 lb bond to 16 lb bond (52 g/m² to 63 g/m²)), Plain 1 (17 lb bond to 21 lb bond (64 g/m² to 81 g/m²)), Plain 2 (22 lb bond to 28 lb bond (82 g/m² to 105 g/m²)), Heavy 1 (29 lb bond to 40 lb bond (106 g/m² to 150 g/m²)), Heavy 2 (56 lb cover to 80 lb cover (151 g/m² to 220 g/m²)), Heavy 3 (82 lb cover to 140 lb index (221 g/m² to 256 g/m²)), Heavy 4 (140 lb index to 110 lb cover (257 g/m² to 300 g/m²)), Color, Recycled, Pre-Punched, Transparency, Tracing, Labels, Tab, Bond, Letterhead, Coated, Textured, and Envelopes</p>
Capacity Per Tray	<p>No Collating mode</p> <p>Tray A: LTR, STMTR, and EXEC: 1,500 sheets (or 7 3/4" (195 mm) in height)¹ 13" x 19", 12 5/8" x 17 11/16", 12" x 18", 11" x 17", LGL, and LTRR: 750 sheets (or 3 7/8" (97 mm) in height)</p> <p>Tray B: LTR and STMTR: 250 sheets (or 1 1/4" (32 mm) in height) 11" x 17", LGL, LTRR, and EXEC: 125 sheets (or 5/8" (16 mm) in height) 13" x 19", 12 5/8" x 17 11/16", and 12" x 18": 30 sheets</p> <p>Tray C: LTR: 2,500 sheets (or 12 3/4" (325 mm) in height)¹ STMTR and EXEC: 1,500 sheets (or 6 3/8" (162 mm) in height)¹ 13" x 19", 12 5/8" x 17 11/16", 12" x 18", 11" x 17", LGL and LTRR: 750 sheets (or 3 7/8" (97 mm) in height)</p> <p>Collate, Group mode</p> <p>Tray A, Tray C: LTR and EXEC: 1,500 sheets (or 7 3/4" (195 mm) in height)¹ 11" x 17", LGL, and LTRR: 750 sheets (or 3 7/8" (97 mm) in height)</p> <p>Staple mode</p> <p>Tray A, Tray C: One point at front (diagonal)/One point at back (diagonal)/Two points in center (parallel) LTR and EXEC: 1,500 sheets/100 sets (7 3/4" or (195 mm) in height)¹ 11" x 17", LGL, and LTRR : 750 sheets/50 sets (3 7/8" (97 mm) in height)</p> <p>No Collating mode with different paper sizes</p> <p>Tray A: 750 sheets (or 3 7/8" (97 mm) in height)</p> <p>Tray B: 11" x 17", LGL, LTRR, LTR, STMTR, and EXEC: 125 sheets (or 5/8" (16 mm) in height)²</p> <p>Tray C: 750 sheets (or 3 7/8" (97 mm) in height)</p> <p>Collate/Group/Staple mode with different paper sizes</p> <p>Tray A, Tray C: 750 sheets (or 3 7/8" (97 mm) in height)</p>

Item	Specifications
Capacity Per Tray	<p>Z-Fold mode (When the Paper Folding Unit-G1 is attached)</p> <p>Tray A : 11" x 17": 30 sheets LTRR and LGL: 10 sheets</p> <p>Tray B: 11" x 17", LGL, and LTRR: 10 sheets</p> <p>Tray C: 11" x 17": 30 sheets LTRR and LGL: 10 sheets</p> <p>Half Fold mode (When the Paper Folding Unit-G1 is attached)</p> <p>Tray A: LTRR: 10 sheets</p> <p>Tray B: LTRR: 10 sheets</p> <p>Tray C: LTRR: 10 sheets</p> <p>*1 Up to 750 sheets (or 3 7/8" (97 mm) in height) when thin paper or custom paper lighter than 16 lb bond (59 g/m²) is selected. *2 Up to 30 sheets when printing on mixed paper sizes including any of the following: 13" x 19", 12 5/8" x 17 11/16", 12" x 18"</p>
Max. Stapling Capacity/ Available Staple Size	<p>When the standard staple cartridge is attached: (The maximum stapling capacity may vary, depending on the paper type and weight.)</p> <p>LTR and EXEC: 100 sheets (20 lb bond (80 g/m²)) or Heavy paper below 1/2" (11 mm)</p> <p>11" x 17", LGL, and LTRR: 50 sheets (20 lb bond (80 g/m²)) or Heavy paper below 1/4" (5.5 mm)</p> <p>Corner Stapling: 11" x 17", LGL, LTR, LTRR, and EXEC</p> <p>Double Stapling: 11" x 17", LGL, LTR, LTRR, and EXEC</p>
Power Source/Maximum Power Consumption	100-240 V AC, 50/60 Hz, 2.8 A Approximately 286 W (including the Puncher Unit-BF1) Approximately 282 W (excluding the Puncher Unit-BF1)
Dimensions (H x W x D)	41" x 25 3/4" (30 3/4" ^{*1}) x 30 1/8" (1,040 mm x 654 mm (782 mm ^{*1}) x 765 mm) *1 When the auxiliary tray is extended.
Weight	Approximately 141 lb (64 kg)
Installation Space Including the Main Unit (WxD)	84 3/4" x 36 3/4" (2,152 mm x 932 mm) (when the multi-purpose tray and the auxiliary tray are extended (including the Buffer Pass Unit-J1)) 111 5/8" x 36 3/4" (2,834 mm x 932 mm) (when the Document Insertion Unit-H1 and Paper Folding Unit-G1 are attached, and the multi-purpose tray and the auxiliary tray are extended (including the Buffer Pass Unit-J1))

Staple Finisher-L1

Item	Specifications
Paper Size/Weight/Type	<p>Size: 13" x 19", 12 5/8" x 17 11/16", 12" x 18", 11" x 17", LGL, LTR, LTRR, EXEC, STMTR, Custom Size (4" x 5 7/8" to 13" x 19 1/4" (100 mm x 148 mm to 330.2 mm x 487.7 mm)), and Envelopes</p> <p>Weight: Tray A: 14 lb bond to 140 lb index (52 g/m² to 256 g/m²) Tray B, Tray C: 14 lb bond to 110 lb cover (52 g/m² to 300 g/m²)^{*1}</p> <p>Type: Thin (14 lb bond to 16 lb bond (52 g/m² to 63 g/m²)), Plain 1 (17 lb bond to 21 lb bond (64 g/m² to 81 g/m²)), Plain 2 (22 lb bond to 28 lb bond (82 g/m² to 105 g/m²)), Heavy 1 (29 lb bond to 40 lb bond (106 g/m² to 150 g/m²)), Heavy 2 (56 lb cover to 80 lb cover (151 g/m² to 220 g/m²)), Heavy 3 (82 lb cover to 140 lb index (221 g/m² to 256 g/m²)), Heavy 4 (140 lb index to 110 lb cover (257 to 300 g/m²))^{*1}, Color, Recycled, Pre-Punched, Transparency, Tracing, Labels, Tab, Bond, Letterhead, Coated, Textured, and Envelopes ^{*1} Tray B/C only</p>
Capacity Per Tray	<p>No Collating mode</p> <p>Tray A: LTR, STMTR, and EXEC : 250 sheets (or 1 3/4" (43 mm) in height) 13" x 19", 12 5/8" x 17 3/4", 12" x 18", 11" x 17", LGL, and LTRR: 125 sheets (or 7/8" (21 mm) in height)</p> <p>Tray B: LTR, STMTR, and EXEC : 1,300 sheets (or 7 3/8" (188 mm) in height)^{*1} 13" x 19", 12 5/8" x 17 3/4", 12" x 18", 11" x 17", LGL, and LTRR: 650 sheets (or 3 3/4" (96 mm) in height)</p> <p>Tray C: LTR: 2,450 sheets (or 13 5/8" (347 mm) in height)^{*1} STMTR and EXEC: 1,700 sheets (or 9 5/8" (243 mm) in height)^{*1} 13" x 19", 12 5/8" x 17 3/4", 12" x 18", 11" x 17", LGL, and LTRR: 650 sheets (or 3 3/4" (96 mm) in height)</p> <p>Collate, Group mode</p> <p>Tray B: LTR and EXEC: 1,300 sheets (or 7 3/8" (188 mm) in height)^{*1} 11" x 17", LGL, and LTRR: 650 sheets (or 3 3/4" (96 mm) in height)</p> <p>Tray C: LTR, and EXEC 1,700 sheets (or 9 5/8" (243 mm) in height)^{*1} 11" x 17", LGL, and LTRR: 650 sheets (or 3 3/4" (96 mm) in height)</p> <p>Staple mode</p> <p>Tray B, Tray C: LTR and EXEC: 1,300 sheets/100 sets (or 7 3/8" (188 mm) in height)^{*1} 11" x 17", LGL, and LTRR 650 sheets/50 sets (or 3 3/4" (96 mm) in height)</p> <p>Z-Fold mode (When the Document Insertion/Folding Unit-G1 is attached)</p> <p>Tray B, Tray C: 11" x 17": Up to 30 sheets 10 sheets per set when stapling LGL and LTRR: Up to 10 sheets</p>

Item	Specifications
Capacity Per Tray	No Collating/Collate/Group mode with different paper sizes: Tray B, Tray C: 650 sheets (or 3 3/4" (96 mm) in height) Staple mode with different paper sizes: Tray B, Tray C: 650 sheets/50 sets (or 3 3/4" (96 mm) in height) *1 Up to 650 sheets (or 3 3/4" (96 mm) in height) when thin paper or custom paper lighter than 16 lb bond (59 g/m ²) is selected.
Max. Stapling Capacity/ Available Staple Size	When the standard staple cartridge is attached: (The maximum stapling capacity may vary, depending on the paper type and weight.) LTR and EXEC: 50 sheets (20 lb bond (80 g/m ²)) 11" x 17", LGL, and LTRR: 30 sheets (20 lb bond (80 g/m ²)) Corner Staple mode/Double Staple mode: 11" x 17", LGL, LTR, LTRR, and EXEC
Power Source/Maximum Power Consumption	From the main unit Approximately 130 W (including the External 2/3 Hole Puncher-A1) Approximately 124 W (excluding the External 2/3 Hole Puncher-A1)
Dimensions (H x W x D)	44 1/8" x 25 3/8" (30"*) x 25 7/8" (1,121 mm x 644 mm (761 mm*) x 656 mm) *1 When the auxiliary tray is extended.
Weight	106 lb (48 kg)
Installation Space (W x D)	73 5/8" x 36 3/4" (1,870 mm x 932 mm) (when the multi-purpose tray and the auxiliary tray are extended (including the Buffer Pass Unit-J1)) 78" x 36 3/4" (1,982 mm x 932 mm) (when the External 2/3 Hole Puncher-A1 is attached, and the auxiliary tray is extended (including the Buffer Pass Unit-J1))

Booklet Finisher-K1

Item	Specifications
Paper Size/Weight/Type	Size: 13" x 19", 12 5/8" x 17 11/16", 12" x 18", 11" x 17", LGL, LTR, LTRR, EXEC, STMTR, Custom Size (4" x 5 7/8" to 13" x 19 1/4" (100 mm x 148 mm to 330.2 mm x 487.7 mm)), and Envelopes Weight: 14 lb bond to 110 lb cover (52 g/m ² to 300 g/m ²) ¹ Type: Thin (14 lb bond to 16 lb bond (52 g/m ² to 63 g/m ²)), Plain 1 (17 lb bond to 21 lb bond (64 g/m ² to 81 g/m ²)), Plain 2 (22 lb bond to 28 lb bond (82 g/m ² to 105 g/m ²)), Heavy 1 (29 lb bond to 40 lb bond (106 g/m ² to 150 g/m ²)), Heavy 2 (56 lb cover to 80 lb cover (151 g/m ² to 220 g/m ²)), Heavy 3 (82 lb cover to 140 lb index (221 g/m ² to 256 g/m ²)), Heavy 4 (140 lb index to 110 lb cover (257 to 300 g/m ²)), Color, Recycled, Pre-Punched, Transparency, Tracing, Labels, Tab, Bond, Letterhead, Coated, Textured, and Envelopes
Capacity Per Tray	No Collating mode Tray A: LTR, STMTR, and EXEC: 1,500 sheets (or 7 3/4" (195 mm) in height) ¹ 13" x 19", 12 5/8" x 17 11/16", 12" x 18", 11" x 17", LGL, and LTRR: 750 sheets (or 3 7/8" (97 mm) in height) Tray B: LTR and STMTR: 250 sheets (or 1 1/4" (32 mm) in height) 11" x 17", LGL, LTRR, and EXEC: 125 sheets (or 5/8" (16 mm) in height) 13" x 19", 12 5/8" x 17 11/16", and 12" x 18": 30 sheets Tray C: LTR: 2,500 sheets (or 12 3/4" (325 mm) in height) ¹ STMTR and EXEC: 1,500 sheets (or 6 3/8" (162 mm) in height) ¹ 13" x 19", 12 5/8" x 17 11/16", 12" x 18", 11" x 17", LGL, and LTRR: 750 sheets (or 3 7/8" (97 mm) in height)

Item	Specifications
Capacity Per Tray	<p>Collate, Group mode Tray A, Tray C: LTR and EXEC: 1,500 sheets (or 7 3/4" (195 mm) in height)^{*1} 11" x 17", LGL, and LTRR: 750 sheets (or 3 7/8" (97 mm) in height)</p> <p>Staple mode Tray A, Tray C: One point at front (diagonal)/One point at back (diagonal)/Two points in center (parallel) LTR and EXEC: 1,500 sheets/100 sets (7 3/4" or (195 mm) in height)^{*1} 11" x 17", LGL, and LTRR : 750 sheets/50 sets (3 7/8" (97 mm) in height)</p> <p>No Collating mode with different paper sizes Tray A: 750 sheets (or 3 7/8" (97 mm) in height) Tray B: 11" x 17", LGL, LTRR, LTR, STMTR, and EXEC: 125 sheets (or 5/8" (16 mm) in height)^{*2} Tray C: 750 sheets (or 3 7/8" (97 mm) in height)</p> <p>Collate/Group/Staple mode with different paper sizes Tray A, Tray C: 750 sheets (or 3 7/8" (97 mm) in height)</p> <p>Z-Fold mode (When the Paper Folding Unit-G1 is attached) Tray A : 11" x 17": 30 sheets LTRR and LGL: 10 sheets Tray B: 11" x 17", LGL, and LTRR: 10 sheets Tray C: 11" x 17": 30 sheets LTRR and LGL: 10 sheets</p> <p>Half Fold mode (When the Paper Folding Unit-G1 is attached) Tray A: LTRR: 10 sheets Tray B: LTRR: 10 sheets Tray C: LTRR: 10 sheets</p> <p>Saddle Stitch mode: 1 to 5 sheets/25 sets, 6 to 10 sheets/15 sets, 11 to 16 sheets/10 sets, 17 to 20 sheets/5 sets</p> <p>*1 Up to 750 sheets (or 3 7/8" (97 mm) in height) when thin paper or custom paper lighter than 16 lb bond (59 g/m²) is selected. *2 Up to 30 sheets when printing on mixed paper sizes including any of the following: 13" x 19", 12 5/8" x 17 11/16", 12" x 18"</p>
Max. Stapling Capacity/ Available Staple Size	<p>When the standard staple cartridge is attached: (The maximum stapling capacity may vary, depending on the paper type and weight.) LTR and EXEC: 100 sheets (20 lb bond (80 g/m²)) or Heavy paper below 1/2" (11 mm) 11" x 17", LGL, and LTRR: 50 sheets (20 lb bond (80 g/m²)) or Heavy paper below 1/4" (5.5 mm)</p> <p>Corner Stapling: 11" x 17", LGL, LTR, LTRR, and EXEC</p> <p>Double Stapling: 11" x 17", LGL, LTR, LTRR, and EXEC</p>

Item	Specifications
Available Saddle Stitch Capacity/Size	Saddle Stitch: 20 sheets (including 1 cover sheet (110 lb cover (300 g/m ²)) (21 lb bond (81 g/m ²)) Saddle Folding: 5 sheets (21 lb bond (81 g/m ²)) Size: 13" x 19", 12 5/8" x 17 11/16", 12" x 18", 11" x 17", LGL, and LTRR,
Power Source/Maximum Power Consumption	100-240 V AC, 50/60 Hz, 2.8 A Approximately 380 W (including the Puncher Unit-BF1 and Inner Booklet Trimmer-A1) Approximately 349 W (excluding the Puncher Unit-BF1 and Inner Booklet Trimmer-A1)
Dimensions (H x W x D)	41" x 30 1/4" (35 1/4") x 30 1/8" (1,040 mm x 767 mm (896 mm ¹) x 765 mm) *1 When the auxiliary tray is extended.
Weight	Approximately 243 lb (110 kg)
Installation Space (W x D)	89 1/4" x 36 3/4" (2,266 mm x 932 mm) (when the multi-purpose tray and the auxiliary tray are extended (including the Buffer Pass Unit-J1)) 116 1/8" x 36 3/4" (2,948 mm x 932 mm) (when the Document Insertion Unit-H1 and Paper Folding Unit-G1 are attached, and the multi-purpose tray and the auxiliary tray are extended (including the Buffer Pass Unit-J1))

Booklet Finisher-L1

Item	Specifications
Paper Size/Weight/Type	Size: 13" x 19", 12 5/8" x 17 11/16", 12" x 18", 11" x 17", LGL, LTR, LTRR, EXEC, STMTR, Custom Size (4" x 5 7/8" to 13" x 19 1/4" (100 mm x 148 mm to 330.2 mm x 487.7 mm)), and Envelopes Weight: Tray A: 14 lb bond to 140 lb index (52 g/m ² to 256 g/m ²) Tray B, Tray C: 14 lb bond to 110 lb cover (52 g/m ² to 300 g/m ²)*1 Type: Thin (14 lb bond to 16 lb bond (52 g/m ² to 63 g/m ²)), Plain 1 (17 lb bond to 21 lb bond (64 g/m ² to 81 g/m ²)), Plain 2 (22 lb bond to 28 lb bond (82 g/m ² to 105 g/m ²)), Heavy 1 (29 lb bond to 40 lb bond (106 g/m ² to 150 g/m ²)), Heavy 2 (56 lb cover to 80 lb cover (151 g/m ² to 220 g/m ²)), Heavy 3 (82 lb cover to 140 lb index (221 g/m ² to 256 g/m ²)), Heavy 4 (140 lb index to 110 lb cover (257 to 300 g/m ²))*1, Color, Recycled, Pre-Punched, Transparency, Tracing, Labels, Tab, Bond, Letterhead, Coated, Textured, and Envelopes *1 Tray B/C only
Capacity Per Tray	No Collating mode Tray A: LTR, STMTR, and EXEC: 250 sheets (or 1 3/4" (43 mm) in height) 13" x 19", 12 5/8" x 17 3/4", 12" x 18", 11" x 17", LGL, and LTRR: 125 sheets (or 7/8" (21 mm) in height) Tray B: LTR, STMTR, and EXEC: 1,300 sheets (or 7 3/8" (188 mm) in height)*1 13" x 19", 12 5/8" x 17 3/4", 12" x 18", 11" x 17", LGL, and LTRR: 650 sheets (or 3 3/4" (96 mm) in height) Tray C: LTR: 2,450 sheets (or 13 5/8" (347 mm) in height)*1 STMTR and EXEC: 1,700 sheets (or 9 5/8" (243 mm) in height)*1 13" x 19", 12 5/8" x 17 3/4", 12" x 18", 11" x 17", LGL, and LTRR: 650 sheets (or 3 3/4" (96 mm) in height)

Item	Specifications
Capacity Per Tray	<p>Collate, Group mode</p> <p>Tray B:</p> <p>LTR and EXEC:</p> <p>1,300 sheets (or 7 3/8" (188 mm) in height)*¹</p> <p>11" x 17", LGL, and LTRR:</p> <p>650 sheets (or 3 3/4" (96 mm) in height)</p> <p>Tray C:</p> <p>LTR and EXEC</p> <p>1,700 sheets (or 9 5/8" (243 mm) in height)*¹</p> <p>11" x 17", LGL, and LTRR:</p> <p>650 sheets (or 3 3/4" (96 mm) in height)</p> <p>Staple mode</p> <p>Tray B, Tray C:</p> <p>LTR and EXEC:</p> <p>1,300 sheets/100 sets (or 7 3/8" (188 mm) in height)*¹</p> <p>11" x 17", LGL, and LTRR</p> <p>650 sheets/50 sets (or 3 3/4" (96 mm) in height)</p> <p>Z-Fold mode (When the Document Insertion/Folding Unit-G1 is attached)</p> <p>Tray B, Tray C:</p> <p>11" x 17":</p> <p>Up to 30 sheets</p> <p>10 sheets per set when stapling</p> <p>LGL and LTRR:</p> <p>Up to 10 sheets</p> <p>No Collating/Collate/Group mode with different paper sizes:</p> <p>Tray B, Tray C:</p> <p>650 sheets (or 3 3/4" (96 mm) in height)</p> <p>Staple mode with different paper sizes:</p> <p>Tray B, Tray C:</p> <p>650 sheets/50 sets (or 3 3/4" (96 mm) in height)</p> <p>Saddle Stitch mode :</p> <p>1 to 5 sheets/25 sets, 6 to 10 sheets/15 sets, 11 to 16 sheets/10 sets</p> <p>*¹ Up to 650 sheets (or 3 3/4" (96 mm) in height) when thin paper or custom paper lighter than 16 lb bond (59 g/m²) is selected.</p>
Max. Stapling Capacity/ Available Staple Size	<p>When the standard staple cartridge is attached:</p> <p>(The maximum stapling capacity may vary, depending on the paper type and weight.)</p> <p>LTR and EXEC:</p> <p>50 sheets (20 lb bond (80 g/m²))</p> <p>11" x 17", LGL, and LTRR:</p> <p>30 sheets (20 lb bond (80 g/m²))</p> <p>Corner Staple mode/Double Staple mode:</p> <p>11" x 17", LGL, LTR, LTRR, and EXEC</p>
Available Saddle Stitch Capacity/Size	<p>Saddle Stitch:</p> <p>16 sheets (including 1 cover sheet 140 lb index (256 g/m²)) (20 lb bond (80 g/m²))</p> <p>Saddle Folding:</p> <p>1 sheet (16 lb bond to 140 lb index (60 g/m² to 256 g/m²))</p> <p>Size:</p> <p>12" x 18", 11" x 17", LGL, and LTRR</p>
Power Source/Maximum Power Consumption	<p>From the main unit</p> <p>Approximately 151 W (including the External 2/3 Hole Puncher-A1)</p> <p>Approximately 125 W (excluding the External 2/3 Hole Puncher-A1)</p>
Dimensions (H x W x D)	<p>44 1/8" x 25 1/2" (30"^{m1}) x 25 7/8" (1,121 mm x 646 mm (761 mm¹) x 656 mm)</p> <p>*¹ When the auxiliary tray is extended.</p>
Weight	<p>158.7 lb (72 kg)</p>
Installation Space (W x D)	<p>73 5/8" x 36 3/4" (1,870 mm x 932 mm)</p> <p>(when the multi-purpose tray and the auxiliary tray are extended (including the Buffer Pass Unit-J1))</p> <p>78 1/4" x 36 3/4" (1,987 mm x 932 mm)</p> <p>(when the External 2/3 Hole Puncher-A1 is attached, and the auxiliary tray is extended (including the Buffer Pass Unit-J1))</p>

Puncher Unit-BF1

Item	Specifications
Paper Size/Weight/Type	<p>Size:</p> <p>2 Holes: LGL and LTRR</p> <p>3 Holes: 11" x 17", LTR, and EXEC</p> <p>Weight: 14 lb bond to 140 lb index (52 g/m² to 256 g/m²)</p> <p>Type: Thin (14 lb bond to 16 lb bond (52 g/m² to 63 g/m²)), Plain 1 (17 lb bond to 21 lb bond (64 g/m² to 81 g/m²)), Plain 2 (22 lb bond to 28 lb bond (82 g/m² to 105 g/m²)), Heavy 1 (29 lb bond to 40 lb bond (106 g/m² to 150 g/m²)), Heavy 2 (56 lb cover to 80 lb cover (151 g/m² to 220 g/m²)), Heavy 3 (82 lb cover to 140 lb index (221 g/m² to 256 g/m²)), Color, Recycled, Tab, Bond, Letterhead, Coated, and Textured</p>
Punch Hole Quantity, Hole Diameter	<p>Two holes: 6.5 mm (1/4")</p> <p>Three holes: 8 mm (3/8")</p>
Distance between Punch Holes	<p>Two holes: 70 mm (2 3/4")</p> <p>Three holes: 108 mm (4 1/4")</p>
Punch Waste Tray Capacity	Approximately 5,000 sheets (20 lb bond (80 g/m ²))
Power Source	From the finisher
Dimensions (H x W x D)	Inside the finisher (15 1/2" x 3 3/4" x 28 1/8" (392 mm x 95 mm x 715 mm))
Weight	Approximately 8.2 lb (3.7 kg)

External 2/3 Hole Puncher-A1

Item	Specifications
Paper Size/Weight/Type	<p>Size:</p> <p>2 Holes: LGL and LTRR</p> <p>3 Holes: 11" x 17" and LTR</p> <p>Weight: 14 lb bond to 140 lb index (52 g/m² to 256 g/m²)</p> <p>Type: Thin (14 lb bond to 16 lb bond (52 g/m² to 63 g/m²)), Plain 1 (17 lb bond to 21 lb bond (64 g/m² to 81 g/m²)), Plain 2 (22 lb bond to 28 lb bond (82 g/m² to 105 g/m²)), Heavy 1 (29 lb bond to 40 lb bond (106 g/m² to 150 g/m²)), Heavy 2 (56 lb cover to 80 lb cover (151 g/m² to 220 g/m²)), Heavy 3 (82 lb cover to 140 lb index (221 g/m² to 256 g/m²)), Color, Recycled, Tab, Bond, Letterhead, Coated, and Textured</p>
Punch Hole Quantity, Hole Diameter	<p>Two holes: 6.5 mm (1/4")</p> <p>Three holes: 8 mm (3/8")</p>
Distance between Punch Holes	<p>Two holes: 70 mm (2 3/4")</p> <p>Three holes: 108 mm (4 1/4")</p>
Punch Waste Tray Capacity	Approximately 10,000 sheets (20 lb bond (80 g/m ²))
Power Source	From the main unit
Dimensions (H x W x D)	32 1/2" x 4 1/4" x 24 1/4" (825 mm x 107 mm x 615 mm)
Weight	Approximately 17 lb (7.7 kg)
Installation Space (W x D)	78 1/4" x 36 3/4" (1,987 mm x 932 mm) (when the Staple Finisher-L1 is attached, and the auxiliary tray is extended (including the Buffer Pass Unit-J1))

Professional Puncher Integration Unit-B1

Item	Specifications
Paper Size/Weight/Type (When turning over the paper)	Size: LTR Weight: 20 lb bond to 80 lb cover (75 g/m ² to 216 g/m ²) Type: Thin, Plain, Heavy, Color, Recycled, Tab, Bond, Letterhead, Coated, and Textured
Power Source	115V AC, 60 Hz, 2.5 A
Maximum Power Consumption	135 W
Dimensions (H x W x D)	41" x 9 7/8" x 31 1/4" (1,040 mm x 250 mm x 792 mm)
Weight	Approximately 88.2lb (40 kg)

Copy Card Reader-F1

Item	Specifications
Available Cards	Magnetic
Card Readout Method	Magnetic readout
Magnetic Card Reading Direction	Face up
Store/Replay	Replay
Power Source	From the main unit
Dimensions (H x W x D)	1 5/8" x 3 1/2" x 3 3/4" (40 mm x 88 mm x 96 mm) (excluding the attachment kit and cable)
Weight	Approximately 7.1 oz (200 g) (including the attachment kit and cable)

Inner Booklet Trimmer-A1

Item	Specifications
Paper Size/Weight/Type	Size: 13" x 19", 12 5/8" x 17 11/16", 12" x 18", 11" x 17", LGL, LTRR, and Custom Size (8 1/4" x 11" to 13" x 19 1/4" (210 mm x 279 mm to 330.2 mm x 487.7 mm)) Weight: 16 lb bond to 110 lb cover (60 g/m ² to 300 g/m ²) Type: Thin (14 lb bond to 16 lb bond (52 g/m ² to 63 g/m ²)), Plain 1 (17 lb bond to 21 lb bond (64 g/m ² to 81 g/m ²)), Plain 2 (22 lb bond to 28 lb bond (82 g/m ² to 105 g/m ²)), Heavy 1 (29 lb bond to 40 lb bond (106 g/m ² to 150 g/m ²)), Heavy 2 (56 lb cover to 80 lb cover (151 g/m ² to 220 g/m ²)), Heavy 3 (82 lb cover to 140 lb index (221 g/m ² to 256 g/m ²)), Heavy 4 (140 lb index to 110 lb cover (257 g/m ² to 300 g/m ²)), Color, Recycled, Coated, Letterhead, Textured, and Bond
Maximum Number of Sheets You Can Trim	1/8" to 3/4" (2 mm to 20 mm) 40 sheets
Trimmer Booklet Waste Tray Capacity	Approximately 1,500 sheets of trimmed strip (width 3/4" (20 mm), LTR, 20 lb bond (80 g/m ²))
Power Source	From the finisher
Dimensions (H x W x D)	Inside the finisher (15 7/8" x 9 7/8" x 24 5/8" (403 mm x 251 mm x 625 mm))
Weight	Approximately 70.5 lb (32 kg)

Super G3 FAX Board-AD2

NOTE

Specifications remain the same even when the Super G3 2nd Line Fax Board or Super G3 3rd/4th Line Fax Board is installed.

Item	Specifications
Telephone Line Used ^{*1}	Public Switched Telephone Network
Scan line Density (Scan, Transmission)	Normal: 8 pels ² /mm x 3.85 line/mm
	Fine: 8 pels ² /mm x 7.7 line/mm
	Super-Fine: 8 pels ² /mm x 15.4 line/mm
	Ultra-Fine: 16 pels ² /mm x 15.4 line/mm
Transmission Speed	Super G3: 33.6 kbps, G3: 14.4 kbps
Compression Method	MH, MR, MMR, JBIG
Transmission Type	Super G3, G3
Sending Original Sizes	11" x 17" to STMTR
Receiving Paper Sizes	11" x 17" to STMTR
Transmission Times	JBIG: Approximately 2.6 seconds
Auto Dial Function	Address Book: 1,800 destinations (including destinations stored in one-touch buttons)
Image Memory	Approximately 6,000 pages

*1 When using an IP telephone service, facsimile communication may not be performed normally via an IP telephone line. It is recommended to use facsimile communication via a general telephone (Public Switched Telephone Network) line.

*2 Pels stands for picture elements (pixels).

Send Function

● Scan Features

Item	Specifications	
Communication Protocol	FTP (TCP/IP), SMB (TCP/IP), WebDAV	
Data Format	TIFF, JPEG, PDF, XPS, OOXML(PowerPoint/Word)	
Resolution	100 x 100 dpi, 150 x 150 dpi, 200 x 100 dpi, 200 x 200 dpi, 200 x 400 dpi, 300 x 300 dpi, 400 x 400 dpi, 600 x 600 dpi	
System Environment	Windows 2000 Server SP4, Windows XP Professional SP3, Windows Server 2003 R2 SP2, Windows Vista SP2, Windows Server 2008 SP2, Windows Server 2008 R2 SP2, Windows 7, Solaris 10, Mac OS X 10.4.x/10.5.x/10.6.x, Red Hat Linux 9	
Interface	1000BASE-T, 100BASE-TX, 10BASE-T	
Color Mode	Automatic-Color Select (Full Color/Grayscale), Automatic-Color Select (Full Color/Black-and-White), Full Color, Grayscale, Black-and-White	
Original Type	Text, Text/Photo, Photo	
Other	Preview, Browse Windows (SMB) File Server	
Optional PDF/XPS/OOXML Functions	PDF	Compact, Trace and Smooth, Encryption, OCR, Device Signature, User Signature, Optimization for Web ^{*1} , PDF/A-1b, Reader Extensions, Policy Applied
	XPS	Compact, OCR, Device Signature, User Signature
	OOXML	PowerPoint, Word, OCR

*1 PDF files optimized for Web viewing.

● E-mail and I-Fax Features

Item	Specifications	
Communication Protocol	SMTP, POP3	
I-FAX Communication Mode	Simple, Full	
Resolution	For Sending E-mail	100 x 100 dpi, 150 x 150 dpi, 200 x 100 dpi, 200 x 200 dpi, 200 x 400 dpi, 300 x 300 dpi, 400 x 400 dpi, 600 x 600 dpi
	For Sending I-Fax (Black-and-White)	200 x 100 dpi, 200 x 200 dpi, 200 x 400 dpi ^{*1} , 300 x 300 dpi ^{*1} , 400 x 400 dpi ^{*1} , 600 x 600 dpi ^{*1}
	For Sending I-Fax (Color)	100 x 100 dpi ^{*1} , 200 x 200 dpi ^{*1} , 300 x 300 dpi ^{*1} , 400 x 400 dpi ^{*1} , 600 x 600 dpi ^{*1}
Format	E-mail	TIFF, JPEG, PDF, XPS, OOXML (PowerPoint/Word)
	I-Fax (Black-and-White)	TIFF (MH, MR ^{*1} , MMR ^{*1})
	I-Fax (Color)	TIFF (Profile-C) ^{*1}
Original Size	E-mail	11" x 17", LGL, LTR, LTRR, STMT, STMTR
	I-Fax	11" x 17", LGL ^{*2} , LTR, LTRR, STMT ^{*2} , STMTR ^{*2}
Server Software	Microsoft Exchange 2003 SP2, Microsoft Exchange 2007 SP2, Sendmail 8.14.4, Lotus Domino R7.0	
Other	Searches a destination via the LDAP Server, Preview	
Optional PDF/XPS/OOXML Functions (E-mail only)	PDF	Compact, Trace and Smooth, Encryption, OCR, Device Signature, User Signature, Optimization for Web ^{*3} , PDF/A-1b, Reader Extensions, Policy Applied
	XPS	Compact, OCR, Device Signature, User Signature
	OOXML	PowerPoint, Word, OCR

*1 Available after setting RX conditions of the destination.

*2 Sent as LTR

*3 PDF files optimized for Web viewing.

Network Environment

Hardware Specifications

Network Interface	10Base-T/100Base-TX/1000Base-T (RJ-45)
-------------------	--

Software Specifications

Protocol Supported	
TCP/IP	Frame type: Ethernet II Print applications: LPD/Raw/IPP/IPPS/FTP/WSD
IPX/SPX	Frame type: Ethernet II/Ethernet 802.2/Ethernet 802.3/Ethernet SNAP/Auto Detect Print applications: Bindery PServer/NDS PServer/RPrinter/NPrinter
AppleTalk	Frame type: Ethernet SNAP Print application: PAP (Printer Access Protocol)

Printer Settings

Software Specifications

Command Language	PCL5c, PCL6, PostScript 3
Resident Fonts	PCL: 93 Scalable fonts, 2 OCR fonts, and 10 Bitmap fonts Andale Font* (Japanese, Korean, Simplified Chinese, Traditional Chinese) PS: 136 Scalable fonts
Printable Area	PCL5c, PCL6: Reduced to 1/6" (4.23 mm) from the top, bottom, left, and right edges of the paper. PostScript 3: Reduced to 1/6" (4 mm) from the top, bottom, left, and right edges of the paper.

* The optional PCL International Font Set needs to be activated to use Andale® and WorldType® Collection, or Andale Mono WT.

CANON imageRUNNER ADVANCE C9280 PRO/C9270 PRO SERIES LIMITED WARRANTY

Canon U.S.A., Inc. or Canon Canada Inc. (as applicable, "Canon") warrants the imageRUNNER ADVANCE C9280 PRO/C9270 PRO Series product and Canon brand options designed for use with the imageRUNNER product (collectively the "Product") to be free from defects in workmanship and materials under normal use and service for a period of 90 days after delivery to the original purchaser ("Purchaser") or 180,000 prints or copies (or a combination of both), whichever comes first. During such warranty period, Canon shall replace, without charge, any defective part with a new or comparable rebuilt part. This warranty shall not extend to consumables such as paper, chemicals, and toner as to which there shall be no warranty or replacement. Warranty replacement shall not extend the original warranty period of the Product.

This limited warranty shall only apply if the Product is used in conjunction with compatible computers, peripheral equipment and software. Canon shall have no responsibility for such items except for compatible Canon brand peripheral equipment covered by a separate warranty ("Separate Warranty"). Repairs of such Canon brand peripheral equipment shall be governed by the terms of the Separate Warranty. Non-Canon brand equipment that may be distributed with the Product is sold "AS IS" and without warranty of any kind by Canon, including any implied warranty regarding merchantability or fitness for a particular purpose, and all such warranties are disclaimed. The sole warranty, if any, with respect to such non-Canon brand items is given by the supplier or producer thereof. For further information on software, see below.

This warranty shall be void and of no force and effect if the Product is damaged as a result of (a) abuse, neglect, mishandling, alteration, electric current fluctuation or accident, (b) improper use, including failure to follow operating or maintenance instructions or environmental conditions prescribed in Canon's operator's manual or other documentation, (c) installation or repair by other than authorized service representatives qualified by Canon who are acting in accordance with Canon's service bulletins, (d) use of supplies or parts (other than those distributed by Canon) which damage the Product or cause abnormally frequent service calls or service problems, or (e) use of the Product with non-compatible computers, peripheral equipment or software, including the use of the Product in any system configuration not recommended in any manual distributed with the Product. Nor does this warranty extend to any Product on which the original identification marks or serial numbers have been defaced, removed, or altered.

ANY SOFTWARE THAT IS DISTRIBUTED WITH THE PRODUCT AND HAS AN ASSOCIATED END USER AGREEMENT IS LICENSED, WARRANTED AND PROVIDED ACCORDING TO THE TERMS OF THAT AGREEMENT, INCLUDING ANY LIMITATIONS AND DISCLAIMERS THEREIN. SUCH SOFTWARE IS SOLD WITHOUT WARRANTY OF ANY KIND BY CANON. PLEASE CONTACT CANON IMMEDIATELY IF YOU HAVE NOT RECEIVED A COPY OF THE SOFTWARE SUPPLIER'S END USER AGREEMENT. CANON RECOMMENDS THAT DATA STORED ON THE PRODUCT'S HARD DISK DRIVE BE DUPLICATED OR BACKED UP TO PREVENT ITS LOSS IN THE EVENT OF FAILURE OR OTHER MALFUNCTION OF THE HARD DISK DRIVE.

THE ABOVE WARRANTIES ARE IN LIEU OF ALL OTHER WARRANTIES AND CONDITIONS, EXPRESS OR IMPLIED, INCLUDING ANY IMPLIED WARRANTIES AND CONDITIONS REGARDING MERCHANTABILITY OR FITNESS FOR A PARTICULAR PURPOSE, RELATING TO THE USE OR PERFORMANCE OF A PRODUCT OR ANY ASSOCIATED COMPONENT, AND ALL SUCH OTHER WARRANTIES AND CONDITIONS ARE DISCLAIMED. NO OTHER EXPRESS WARRANTY, CONDITION OR GUARANTY, EXCEPT AS MENTIONED ABOVE, GIVEN BY ANY PERSON, FIRM OR CORPORATION WITH RESPECT TO THE PRODUCT SHALL BIND CANON ANY SUPPLIER OR ANY AUTHORIZED SERVICE PROVIDER. NO WARRANTY IS GIVEN ON ANY USED PRODUCT.

THE SOFTWARE EMBEDDED IN THE PRODUCT AND USED TO CONTROL ITS FEATURES IS OWNED BY CANON INC. AND/OR OTHER THIRD PARTIES AND IS LICENSED UNDER THE THIRD PARTY SOFTWARE TERMS AND CONDITIONS STATED ELSEWHERE IN THIS MANUAL. ANY DEFECT IN SUCH EMBEDDED SOFTWARE THAT MATERIALLY IMPAIRS A FEATURE OF THE PRODUCT DOCUMENTED IN THIS USER MANUAL WILL BE COVERED BY THE ABOVE WARRANTY THAT THE PRODUCT IS FREE FROM DEFECTS IN MATERIAL AND WORKMANSHIP; NO OTHER WARRANTY APPLIES TO THIS SOFTWARE, AND ALL DISCLAIMER AND LIMITATION PROVISIONS AS SET FORTH BELOW APPLY TO THIS SOFTWARE.

NEITHER CANON OR ITS SUPPLIERS NOR ANY AUTHORIZED SERVICE PROVIDER SHALL BE LIABLE FOR PERSONAL INJURY OR PROPERTY DAMAGE (UNLESS CAUSED SOLELY AND DIRECTLY BY THE NEGLIGENCE OF CANON OR ANY AUTHORIZED SERVICE PROVIDER), LOSS OF REVENUE OR PROFIT, FAILURE TO REALIZE SAVINGS OR OTHER BENEFITS, EXPENDITURES FOR SUBSTITUTE EQUIPMENT OR SERVICES, LOSS OR CORRUPTION OF DATA, INCLUDING, WITHOUT LIMITATION, DATA STORED ON THE PRODUCT'S HARD DISK DRIVE, STORAGE CHARGES OR OTHER SPECIAL, INCIDENTAL OR CONSEQUENTIAL DAMAGES CAUSED BY THE USE, MISUSE OR INABILITY TO USE THE PRODUCT, REGARDLESS OF THE LEGAL THEORY ON WHICH THE CLAIM IS BASED AND EVEN IF CANON OR ITS SUPPLIERS OR ANY AUTHORIZED SERVICE PROVIDER HAS BEEN ADVISED OF THE POSSIBILITY OF SUCH DAMAGES. NOR SHALL RECOVERY OF ANY KIND AGAINST CANON OR ITS SUPPLIERS OR ANY AUTHORIZED SERVICE PROVIDER BE GREATER IN AMOUNT THAN THE PURCHASE PRICE OF THE PRODUCT CAUSING THE ALLEGED DAMAGE. WITHOUT LIMITING THE FOREGOING, THE PURCHASER ASSUMES ALL RISKS AND LIABILITY FOR LOSS, DAMAGE OR INJURY TO PERSONS AND PROPERTY OF THE PURCHASER OR OTHERS ARISING OUT OF THE POSSESSION, USE, MISUSE, OR INABILITY TO USE THE PRODUCT NOT CAUSED SOLELY AND DIRECTLY BY THE NEGLIGENCE OF CANON OR ANY AUTHORIZED SERVICE PROVIDER. THIS WARRANTY SHALL NOT EXTEND TO ANYONE OTHER THAN THE ORIGINAL PURCHASER OF THE PRODUCT AND STATES SUCH PURCHASER'S EXCLUSIVE REMEDY.

CONDITIONS OF WARRANTY

Defective parts must be returned to Canon or an Authorized Service Provider with all necessary documentation and will become the property of Canon.

THIS WARRANTY APPLIES TO PRODUCTS SOLD AND USED IN THE U.S.A. AND CANADA ONLY.

CANON imageRUNNER ADVANCE C7270/C7260 SERIES LIMITED WARRANTY

Canon U.S.A., Inc. or Canon Canada Inc. (as applicable, "Canon") warrants the imageRUNNER ADVANCE C7270/C7260 Series product and Canon brand options designed for use with the imageRUNNER product (collectively the "Product") to be free from defects in workmanship and materials under normal use and service for a period of 90 days after delivery to the original purchaser ("Purchaser") or 90,000 prints or copies (or a combination of both), whichever comes first. During such warranty period, Canon shall replace, without charge, any defective part with a new or comparable rebuilt part. This warranty shall not extend to consumables such as paper, chemicals, and toner as to which there shall be no warranty or replacement. Warranty replacement shall not extend the original warranty period of the Product.

This limited warranty shall only apply if the Product is used in conjunction with compatible computers, peripheral equipment and software. Canon shall have no responsibility for such items except for compatible Canon brand peripheral equipment covered by a separate warranty ("Separate Warranty"). Repairs of such Canon brand peripheral equipment shall be governed by the terms of the Separate Warranty. Non-Canon brand equipment that may be distributed with the Product is sold "AS IS" and without warranty of any kind by Canon, including any implied warranty regarding merchantability or fitness for a particular purpose, and all such warranties are disclaimed. The sole warranty, if any, with respect to such non-Canon brand items is given by the supplier or producer thereof. For further information on software, see below.

This warranty shall be void and of no force and effect if the Product is damaged as a result of (a) abuse, neglect, mishandling, alteration, electric current fluctuation or accident, (b) improper use, including failure to follow operating or maintenance instructions or environmental conditions prescribed in Canon's operator's manual or other documentation, (c) installation or repair by other than authorized service representatives qualified by Canon who are acting in accordance with Canon's service bulletins, (d) use of supplies or parts (other than those distributed by Canon) which damage the Product or cause abnormally frequent service calls or service problems, or (e) use of the Product with non-compatible computers, peripheral equipment or software, including the use of the Product in any system configuration not recommended in any manual distributed with the Product. Nor does this warranty extend to any Product on which the original identification marks or serial numbers have been defaced, removed, or altered.

ANY SOFTWARE THAT IS DISTRIBUTED WITH THE PRODUCT AND HAS AN ASSOCIATED END USER AGREEMENT IS LICENSED, WARRANTED AND PROVIDED ACCORDING TO THE TERMS OF THAT AGREEMENT, INCLUDING ANY LIMITATIONS AND DISCLAIMERS THEREIN. SUCH SOFTWARE IS SOLD WITHOUT WARRANTY OF ANY KIND BY CANON. PLEASE CONTACT CANON IMMEDIATELY IF YOU HAVE NOT RECEIVED A COPY OF THE SOFTWARE SUPPLIER'S END USER AGREEMENT. CANON RECOMMENDS THAT DATA STORED ON THE PRODUCT'S HARD DISK DRIVE BE DUPLICATED OR BACKED UP TO PREVENT ITS LOSS IN THE EVENT OF FAILURE OR OTHER MALFUNCTION OF THE HARD DISK DRIVE.

THE ABOVE WARRANTIES ARE IN LIEU OF ALL OTHER WARRANTIES AND CONDITIONS, EXPRESS OR IMPLIED, INCLUDING ANY IMPLIED WARRANTIES AND CONDITIONS REGARDING MERCHANTABILITY OR FITNESS FOR A PARTICULAR PURPOSE, RELATING TO THE USE OR PERFORMANCE OF A PRODUCT OR ANY ASSOCIATED COMPONENT, AND ALL SUCH OTHER WARRANTIES AND CONDITIONS ARE DISCLAIMED. NO OTHER EXPRESS WARRANTY, CONDITION OR GUARANTY, EXCEPT AS MENTIONED ABOVE, GIVEN BY ANY PERSON, FIRM OR CORPORATION WITH RESPECT TO THE PRODUCT SHALL BIND CANON ANY SUPPLIER OR ANY AUTHORIZED SERVICE PROVIDER. NO WARRANTY IS GIVEN ON ANY USED PRODUCT.

THE SOFTWARE EMBEDDED IN THE PRODUCT AND USED TO CONTROL ITS FEATURES IS OWNED BY CANON INC. AND/OR OTHER THIRD PARTIES AND IS LICENSED UNDER THE THIRD PARTY SOFTWARE TERMS AND CONDITIONS STATED ELSEWHERE IN THIS MANUAL. ANY DEFECT IN SUCH EMBEDDED SOFTWARE THAT MATERIALLY IMPAIRS A FEATURE OF THE PRODUCT DOCUMENTED IN THIS USER MANUAL WILL BE COVERED BY THE ABOVE WARRANTY THAT THE PRODUCT IS FREE FROM DEFECTS IN MATERIAL AND WORKMANSHIP; NO OTHER WARRANTY APPLIES TO THIS SOFTWARE, AND ALL DISCLAIMER AND LIMITATION PROVISIONS AS SET FORTH BELOW APPLY TO THIS SOFTWARE.

NEITHER CANON OR ITS SUPPLIERS NOR ANY AUTHORIZED SERVICE PROVIDER SHALL BE LIABLE FOR PERSONAL INJURY OR PROPERTY DAMAGE (UNLESS CAUSED SOLELY AND DIRECTLY BY THE NEGLIGENCE OF CANON OR ANY AUTHORIZED SERVICE PROVIDER), LOSS OF REVENUE OR PROFIT, FAILURE TO REALIZE SAVINGS OR OTHER BENEFITS, EXPENDITURES FOR SUBSTITUTE EQUIPMENT OR SERVICES, LOSS OR CORRUPTION OF DATA, INCLUDING, WITHOUT LIMITATION, DATA STORED ON THE PRODUCT'S HARD DISK DRIVE, STORAGE CHARGES OR OTHER SPECIAL, INCIDENTAL OR CONSEQUENTIAL DAMAGES CAUSED BY THE USE, MISUSE OR INABILITY TO USE THE PRODUCT, REGARDLESS OF THE LEGAL THEORY ON WHICH THE CLAIM IS BASED AND EVEN IF CANON OR ITS SUPPLIERS OR ANY AUTHORIZED SERVICE PROVIDER HAS BEEN ADVISED OF THE POSSIBILITY OF SUCH DAMAGES. NOR SHALL RECOVERY OF ANY KIND AGAINST CANON OR ITS SUPPLIERS OR ANY AUTHORIZED SERVICE PROVIDER BE GREATER IN AMOUNT THAN THE PURCHASE PRICE OF THE PRODUCT CAUSING THE ALLEGED DAMAGE. WITHOUT LIMITING THE FOREGOING, THE PURCHASER ASSUMES ALL RISKS AND LIABILITY FOR LOSS, DAMAGE OR INJURY TO PERSONS AND PROPERTY OF THE PURCHASER OR OTHERS ARISING OUT OF THE POSSESSION, USE, MISUSE, OR INABILITY TO USE THE PRODUCT NOT CAUSED SOLELY AND DIRECTLY BY THE NEGLIGENCE OF CANON OR ANY AUTHORIZED SERVICE PROVIDER. THIS WARRANTY SHALL NOT EXTEND TO ANYONE OTHER THAN THE ORIGINAL PURCHASER OF THE PRODUCT AND STATES SUCH PURCHASER'S EXCLUSIVE REMEDY.

CONDITIONS OF WARRANTY

Defective parts must be returned to Canon or an Authorized Service Provider with all necessary documentation and will become the property of Canon.

THIS WARRANTY APPLIES TO PRODUCTS SOLD AND USED IN THE U.S.A. AND CANADA ONLY.

TERMS OF imageWARE REMOTE SERVICE

If your Canon Office Imaging Product ("Product") is enabled with embedded functions for the imageWARE Remote Diagnostic Service ("IWR"), or your Product is not IWR enabled but it interacts with the IWR Plug-in program of imageWARE Enterprise Management Console ("EMC") software, then Canon USA, Canon Canada or their respective authorized independent Canon retail dealers can access Product meter readings and receive notifications of certain service errors automatically via the internet. You can read more about IWR in Canon published materials available from your dealer or on the web sites of Canon USA [www.usa.canon.com] or Canon Canada [www.canon.ca]. IWR will only collect and transmit Product specific meter readings and service data, and will not access, collect or transmit End-User image data in the Product.

Your instruction to Canon USA, Canon Canada or your dealer to activate IWR for a Product shall be considered (i) a representation that you have an internal IP network and internet access available on a generally continuous basis; (ii) authorization by you to establish, and perform during the period of IWR activation, HTTPS communications using your network bandwidth for transmissions over the internet of use and service data accumulated by the Product, and (iii) authorization by you to store, analyze and use this data for purposes related to servicing the Product and for Product and IWR improvement.

By so instructing Canon USA, Canon Canada or your dealer, you shall also be considered to acknowledge that (A) the IWR software (embedded or plug-in) is the confidential property of Canon USA and its licensor; (B) you have no rights in such IWR software (except as the Product executes the limited data collection and transmission functions for which it is configured when delivered and you obtain the benefits of IWR as outlined in Canon published materials), (C) you shall not disassemble, decompile, reverse engineer, disclose or attempt to copy such IWR software, allow any third party to do any of the foregoing or transfer your limited rights to any other party without the prior written approval of Canon USA or Canon Canada; and (D) there are many factors outside of the control of Canon USA, Canon Canada or their respective dealers that could affect the accuracy or timing of meter readings or service data harvested by IWR and, except as expressly provided in the limited warranty statement for the Product or the End-User License Agreement for EMC software, in the case of the IWR Plug-in program, neither Canon USA, Canon Canada nor their respective dealers shall be responsible for alleged deficiencies in, or your dissatisfaction with, IWR or any software used to provide IWR. A copy of the limited warranty statement can be found within this Operator's Manual.

If your dealer ceases to be an authorized Canon USA dealer, it will no longer have access to the use and service data accumulated by IWR for your Product. In that case, you may request or instruct Canon USA to recommend to you an alternative service provider who will have access to this data in order to maintain Product service utilizing IWR functionality.

TERMS OF Content Delivery System

If the Content Delivery System (CDS) Service is enabled for your Canon Office Imaging Product ("Product"), Canon USA, Canon Canada or their respective authorized independent Canon retail dealers (each a "Canon Seller") can arrange internet-based downloads for purposes of updating firmware, delivering purchased MEAP application software and activation of optional Product features. Certain related data files also may be downloaded (e.g. End-User License Agreements, conditions of export, Release Notes) to your Product. The internet communications will occur between the Product and one or more servers managed by Canon Inc. ("Canon Server"). CDS Service will not download the firmware, software or data files for purposes other than mentioned above.

You can read more about CDS Service in Canon published materials available from your dealer or on the web sites of Canon USA [www.usa.canon.com] or Canon Canada [www.canon.ca]. These materials include a Technology White Paper for the CDS Service.

Your instruction to Canon USA, Canon Canada or your dealer to use CDS Service or your use of CDS Service for a Product shall be considered (i) a representation that you have an internal IP network and internet access available to Products connected to that network on a generally continuous basis;

(ii) a representation that you have an internet connection and internal network bandwidth available for the Canon Server to download files to each of the Products receiving the CDS Service. Downloaded files may vary in size; some will be on the order of several hundred MB. The CDS Service Technology White Paper contains further details.

(iii) authorization by you for the Canon Seller to establish, and perform during the period of provision of Service, HTTPS/HTTP communications using your internet and internal network bandwidth for transmissions to and from the CDS Server;

(iv) authorization by you for the Product itself or a Canon serviceperson to download or update firmware and purchased MEAP application software, data for internet-based activation of optional Product features and certain related data files to Product from the CDS Server, and to transmit service data (e.g. serial number, information of firmware) of Product to the CDS Server.

You acknowledge and agree that the Canon Seller and CDS Server may rely on internet addresses you assign to Products and that using the internet has benefits but also certain risks; ACCORDINGLY, YOU AGREE THAT THE CDS SERVICE IS PROVIDED WITHOUT WARRANTY OF ANY KIND, THAT ANY WARRANTIES ARE DISCLAIMED AND THAT NO CANON SELLER OR CANON AFFILIATE IS RESPONSIBLE FOR ANY INJURY TO YOUR NETWORK OR TO DATA OR DEVICES NOT SUPPLIED BY A CANON SELLER. You will be responsible for network security and any data back-up. You will timely advise the Canon Seller of any security procedures the Canon Seller will need to use to provide CDS Services as described herein.

To the extent downloads involve presenting end user license terms on your network or network-connected Products (with a Canon Seller, Canon affiliate or a third party as licensor) seeking agreement to such terms, any party that you allow to respond to presented license terms will be and is authorized by you to agree (or not agree) to the terms; if license terms are not agreed, a license purchased will not be enabled and you may apply for refund of any license fees paid.

You acknowledge and agree that the firmware provided by the CDS Service is governed by the Third Party Software terms set forth in this manual.



MEMO

A series of horizontal lines for writing, spaced evenly down the page.

Canon

CANON INC.

30-2, Shimomaruko 3-chome, Ohta-ku, Tokyo 146-8501, Japan

CANON U.S.A., INC.

One Canon Plaza, Lake Success, NY 11042, U.S.A.

CANON CANADA INC.

6390 Dixie Road Mississauga, Ontario L5T 1P7, Canada

CANON EUROPA N.V.

Bovenkerkerweg 59-61 1185 XB Amstelveen, The Netherlands

(See <http://www.canon-europe.com/> for details on your regional dealer)

CANON LATIN AMERICA, INC.

703 Waterford Way Suite 400 Miami, Florida 33126 U.S.A.

CANON AUSTRALIA PTY. LTD

1 Thomas Holt Drive, North Ryde, Sydney, N.S.W. 2113, Australia

CANON CHINA CO., LTD

15F Jinbao Building No.89 Jinbao Street, Dongcheng District, Beijing 100005, China

CANON SINGAPORE PTE. LTD.

1 HarbourFront Avenue #04-01 Keppel Bay Tower, Singapore 098632

CANON HONGKONG CO., LTD

19/F, The Metropolis Tower, 10 Metropolis Drive, Hungghom, Kowloon, Hong Kong

