

Canon

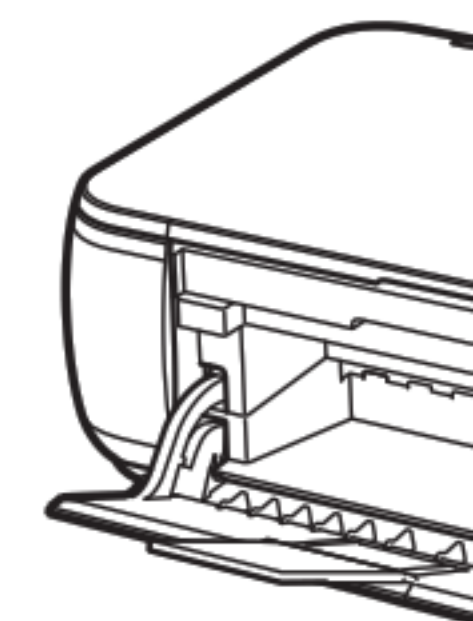


Photo All-In-One

PIXMA MP490 series

Getting Started

Read Me First



Make sure to read this manual before using the machine. Please keep it in hand for future reference.

■ Symbols Used in This Document



Instructions including important information. Be sure to read these indications.



Instructions as notes for operation or additional explanations.



Descriptions for operations that take some time to complete.



Indicates operations in Windows.



Indicates operations in Macintosh.

- Microsoft is a registered trademark of Microsoft Corporation.
- Windows is a trademark or registered trademark of Microsoft Corporation in the U.S. and/or other countries.
- Windows Vista is a trademark or registered trademark of Microsoft Corporation in the U.S. and/or other countries.
- Internet Explorer is a trademark or registered trademark of Microsoft Corporation in the U.S. and/or other countries.
- Macintosh and Mac are trademarks of Apple Inc., registered in the U.S. and other countries.

Contents

1 Preparation

2 Remove the Protective Material

3 Turn the Power On



4 Install the FINE Cartridges



5 Install the Software

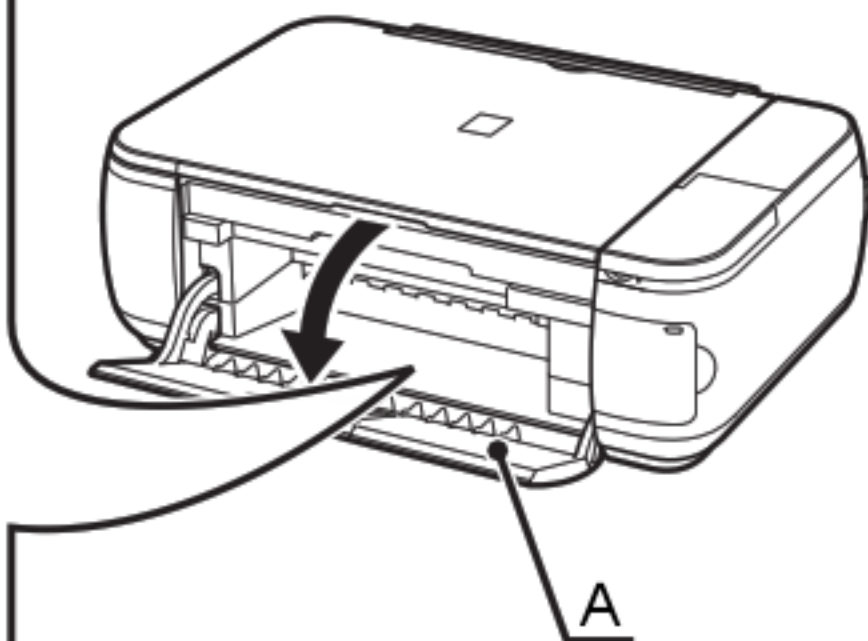
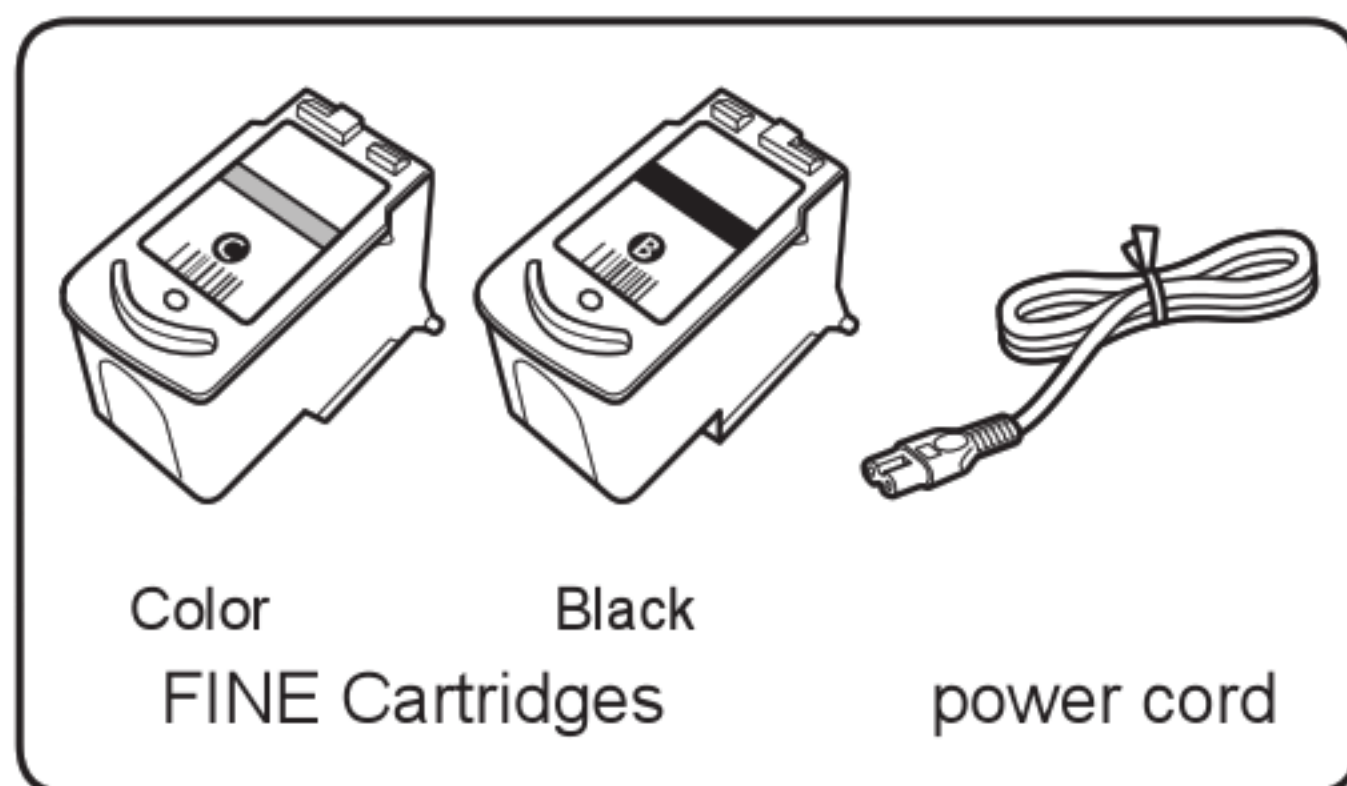


6 Loading Paper

After Installing the Machine

■ Check the Included Items

Before turning on the machine, remove all orange tapes and protective sheets from the inside and outside of the machine.



The FINE Cartridges and power code are placed inside of the Paper Output Tray (A).

Open the Paper Output Tray with your hands, and take out the FINE Cartridges and power code.

- Manuals
- Setup CD-ROM (containing the drivers, applications and on-screen manuals)
- Warranty

□ Choosing a Location



- Do not install the machine where an object may fall inside the machine, resulting in damage.
- Do not place any object on top of the machine when opening covers, resulting in damage.



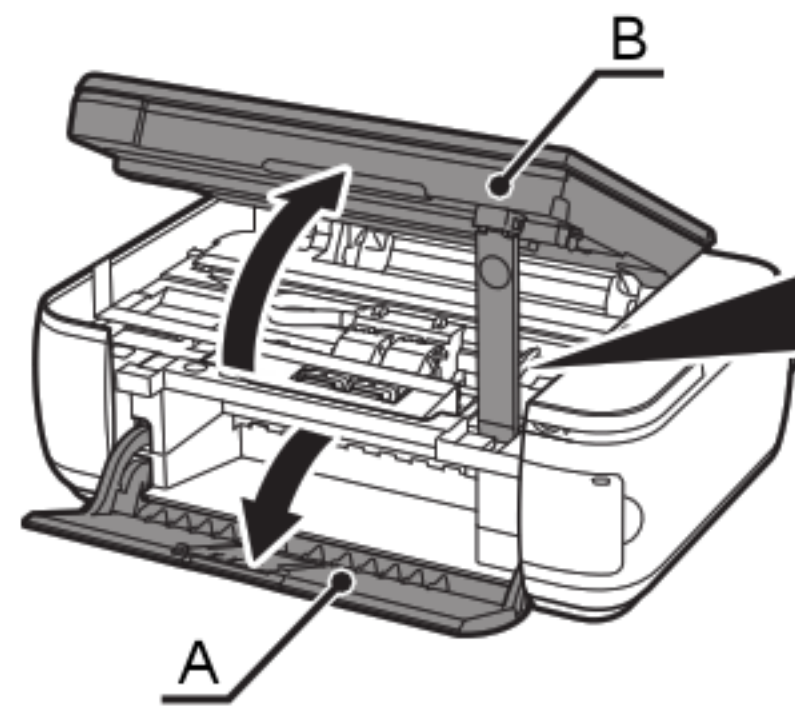
- A USB cable (A-B type) is necessary to connect the machine with your computer.

2

Remove the Protective Material

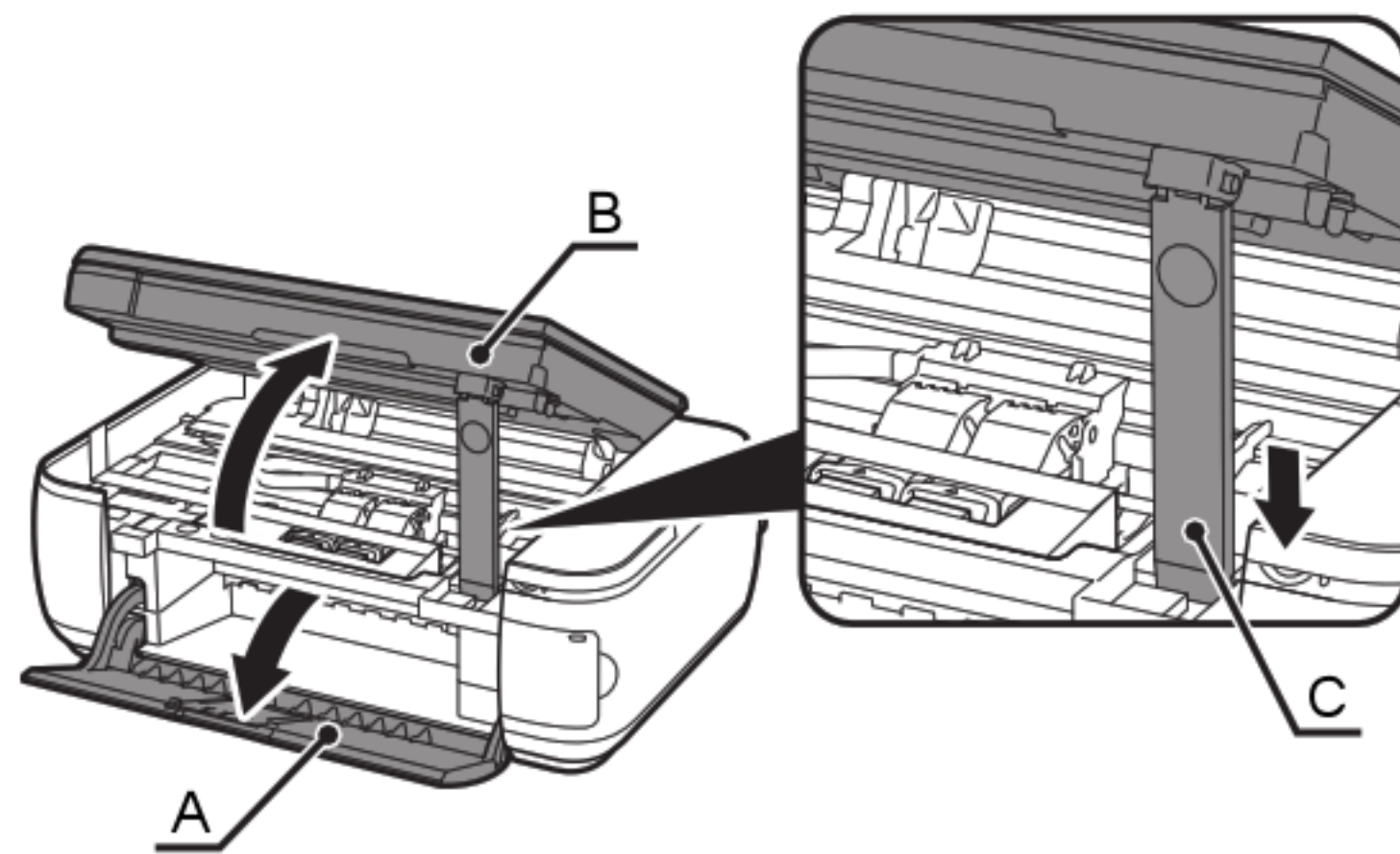


1



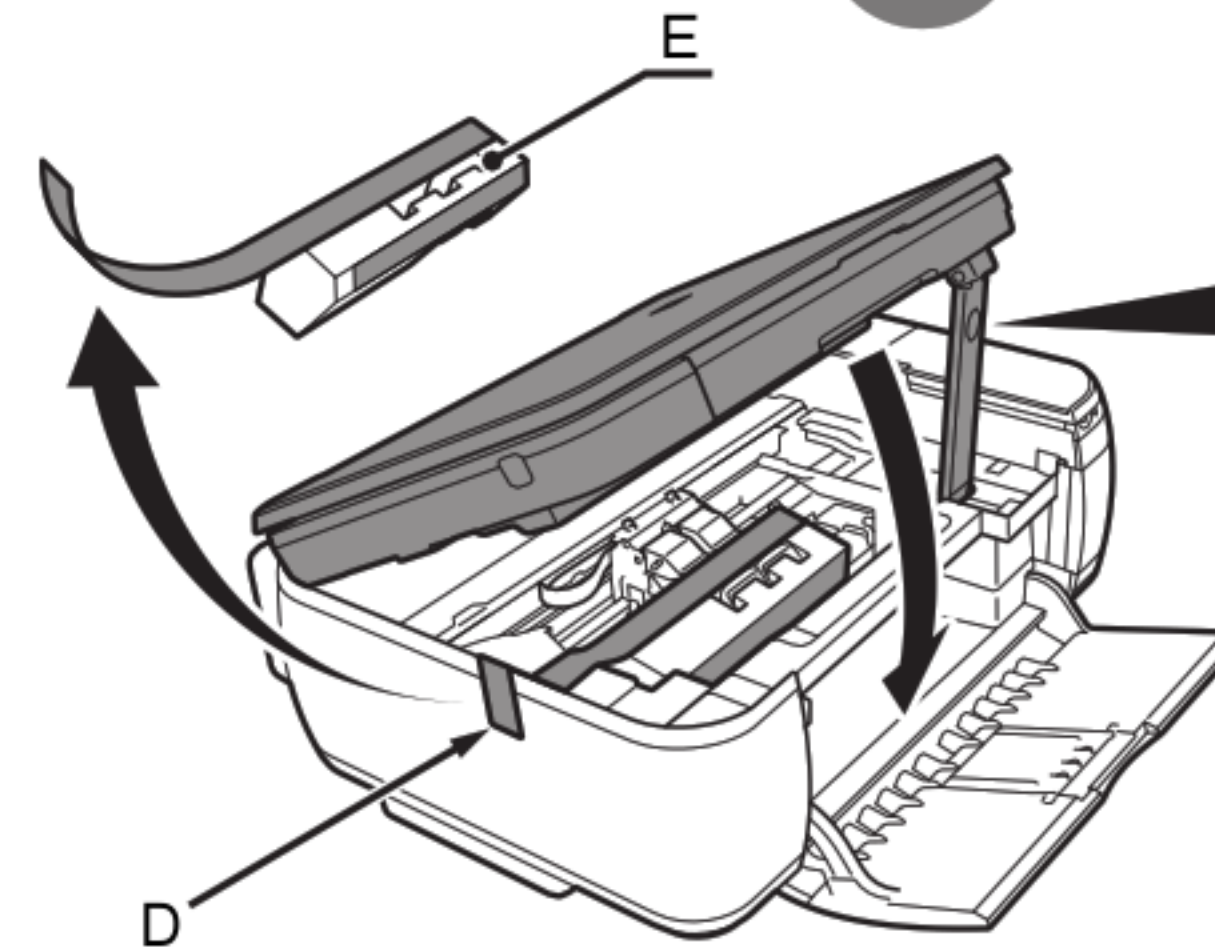
Open the Paper Output Tray (A).

2



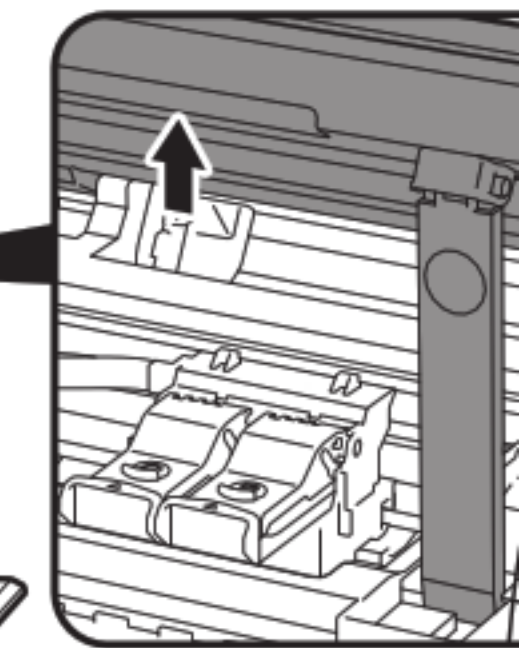
Lift the Scanning Unit (Cover) (B) and fix it with the Scanning Unit Support (C).

3



Pull the orange protective tape (D) and remove the protective material (E).

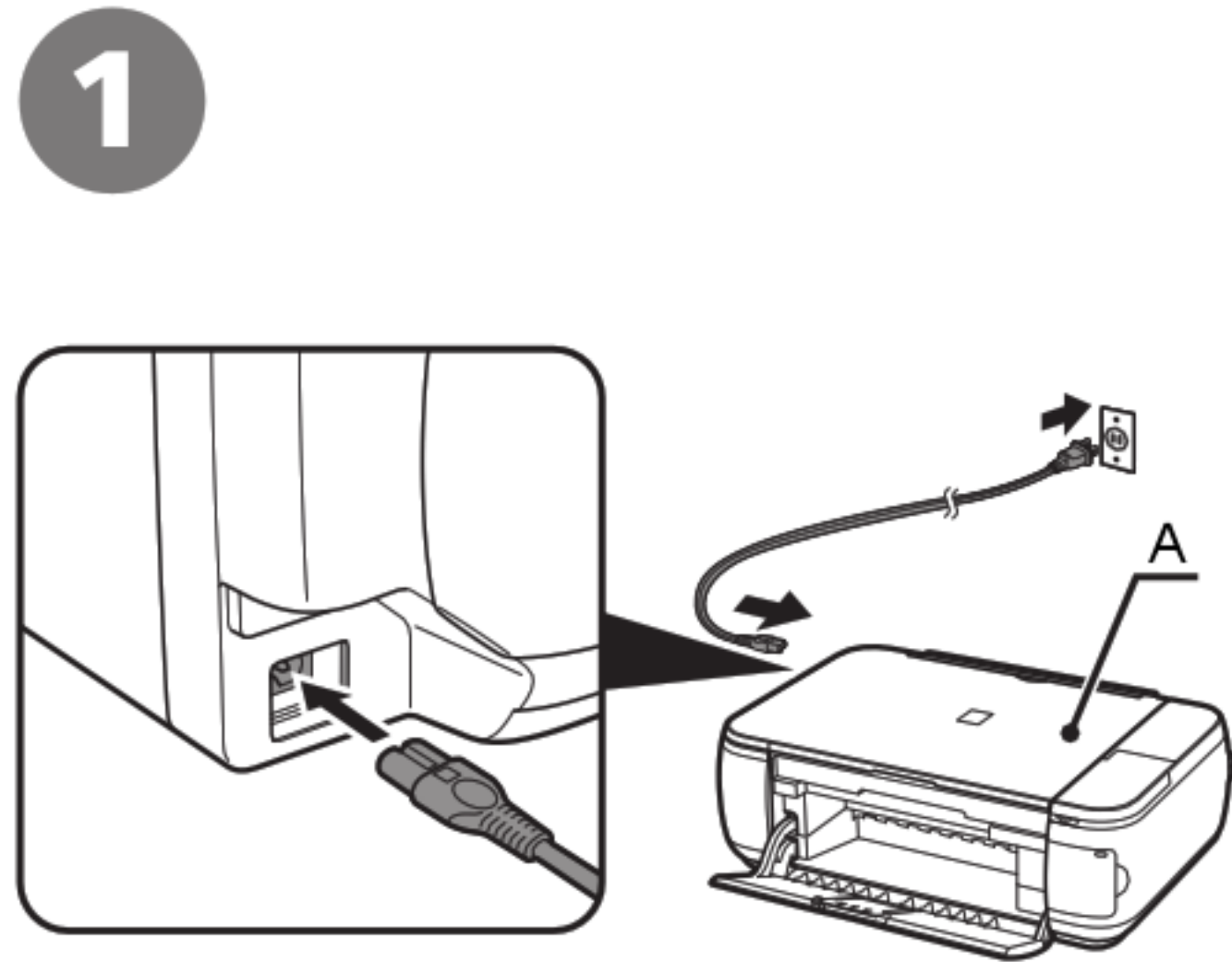
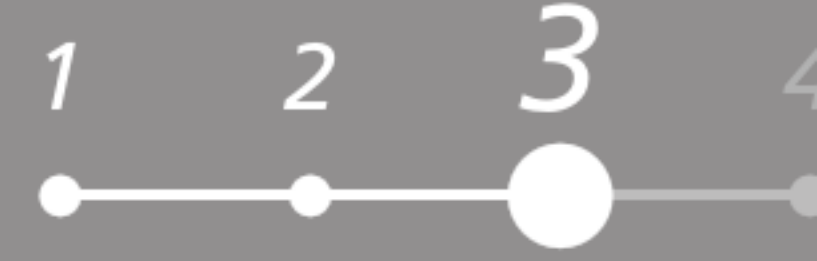
4



Lift the Scanning Unit (Cover) (B), the Scanning Unit Support, and the Scanning Unit (Cover).

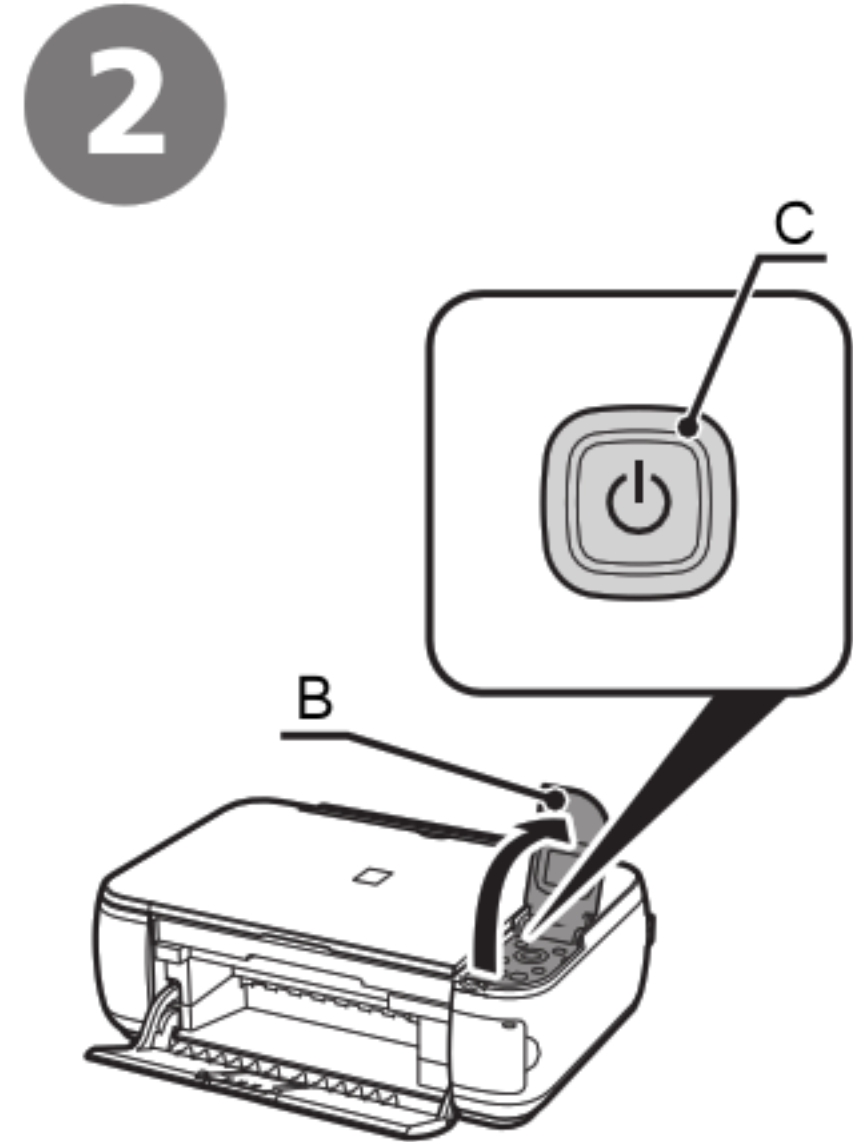
3

Turn the Power On

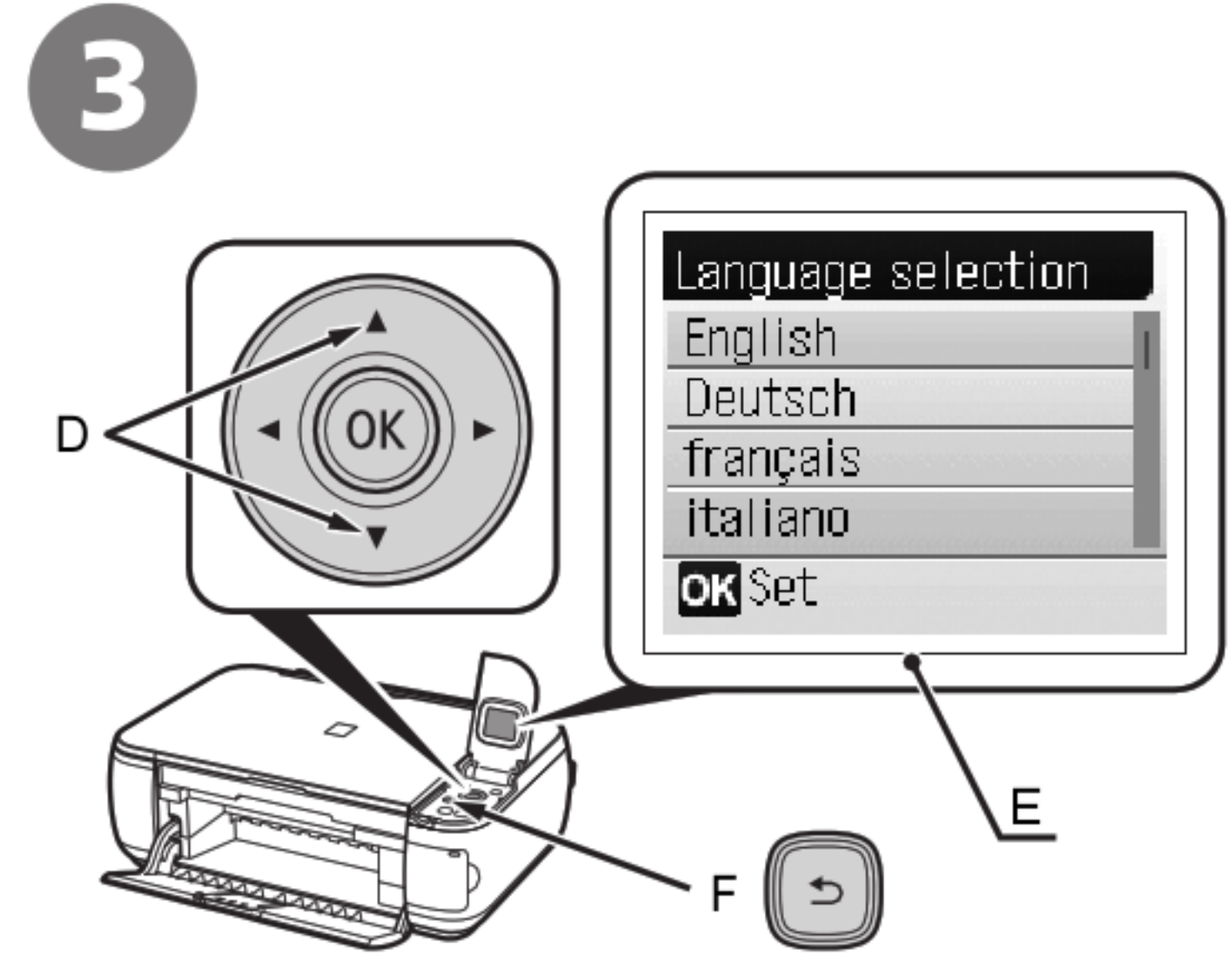


Plug the power cord into the left side of the machine, then connect the other end to the wall outlet.

- Do NOT connect the USB cable at this stage.
- Make sure that the Document Cover (A) is closed.



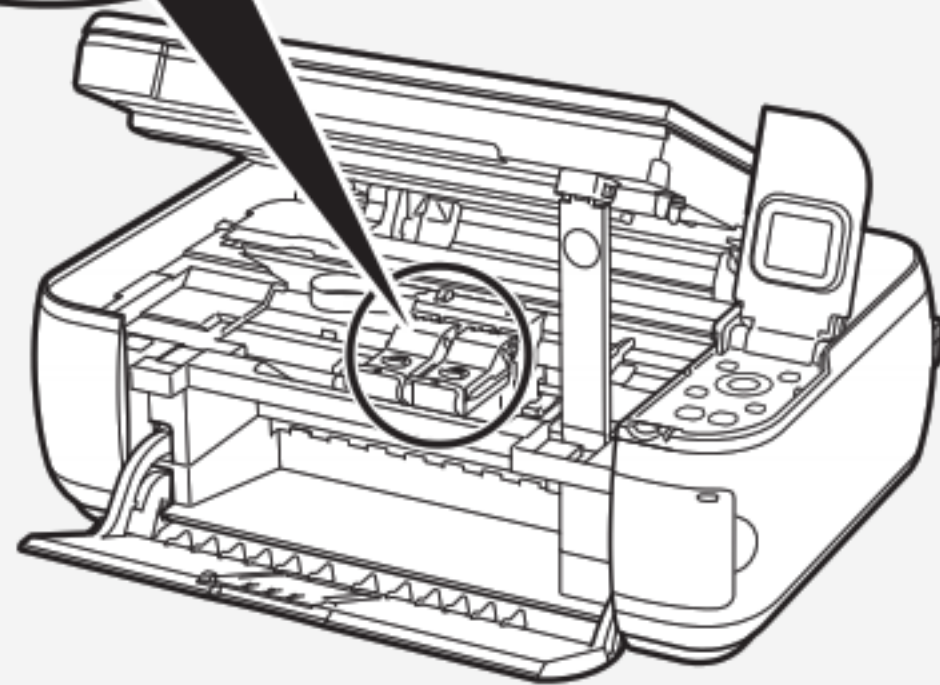
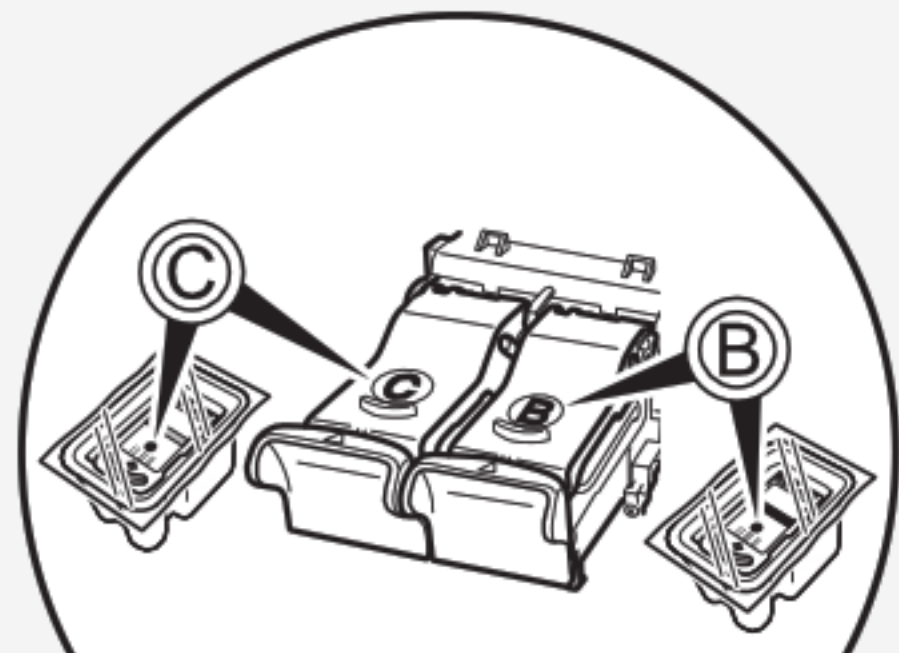
Open the Operation Unit (B) and press the **ON** button (C) to turn on the machine.



Use the ▲ or ▼ button (D) on the Operation Panel to select the language for the LCD (E), then press the **OK** button.

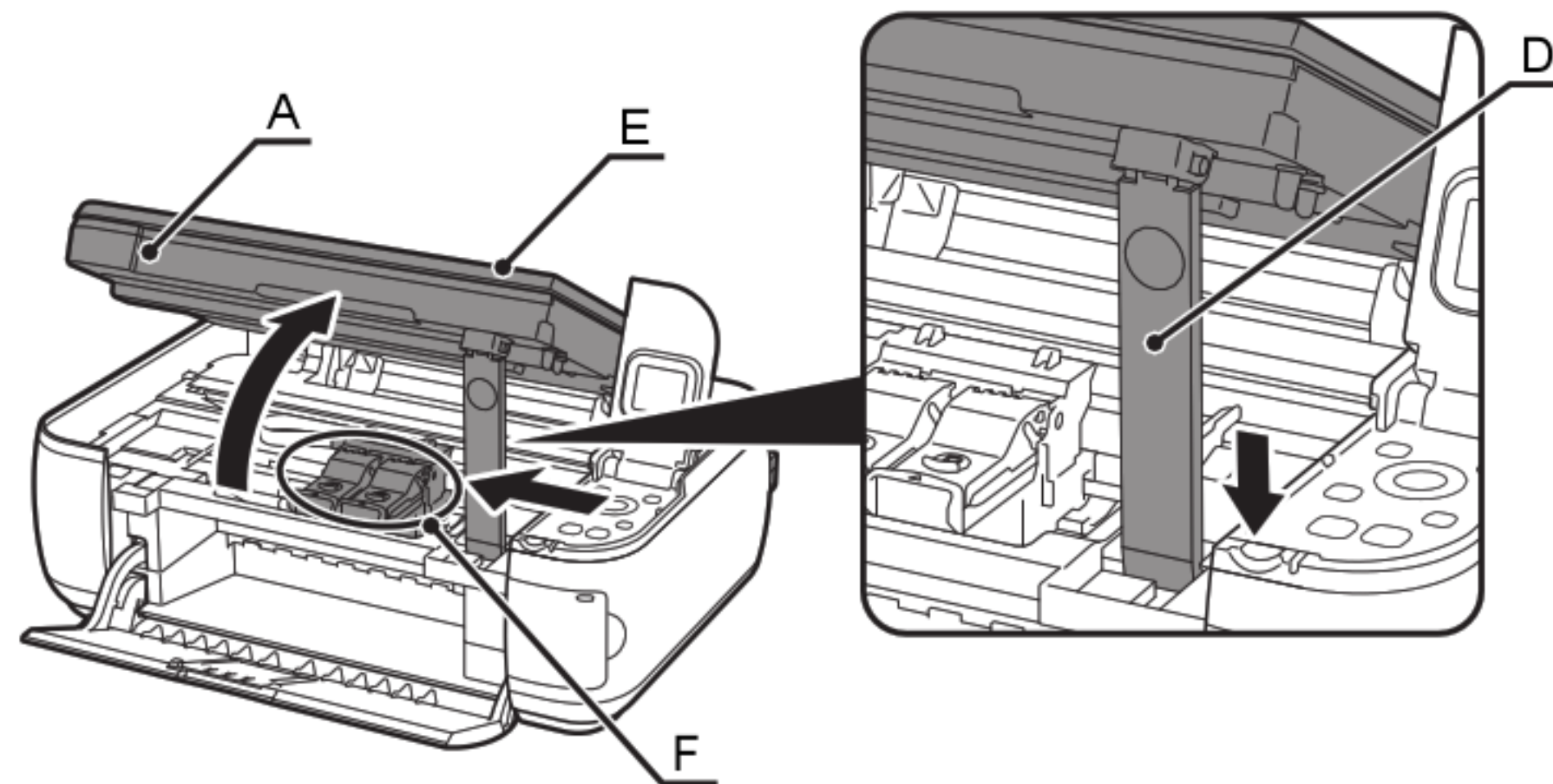
- If an unintended language is displayed on the LCD, press the **Back** button to return to the **Language selection** screen.

4 Install the FINE Cartridges



- Handle the FINE Cartridges carefully. Do not drop or apply excessive pressure to them.
- Be sure to use the supplied FINE Cartridges.

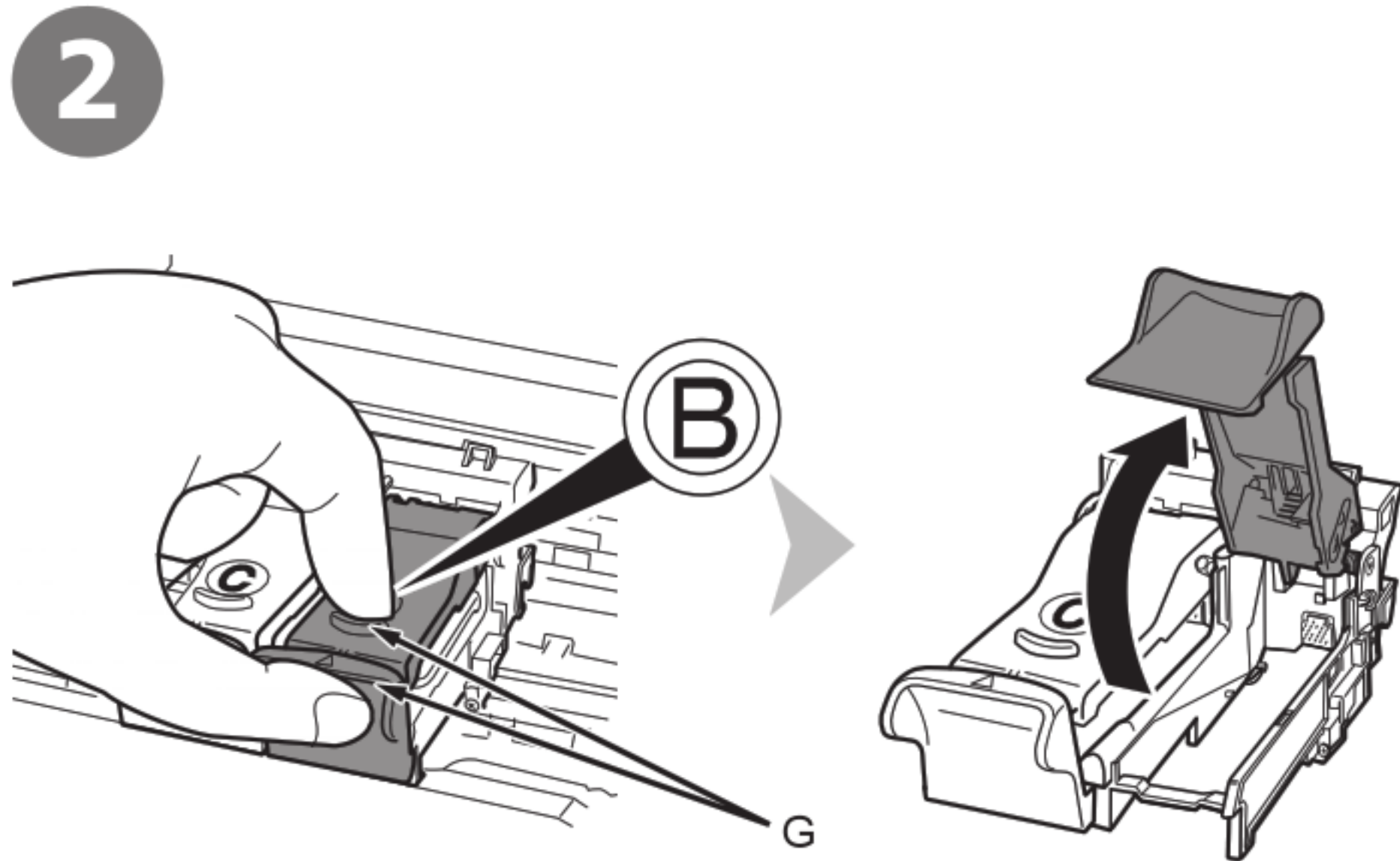
1



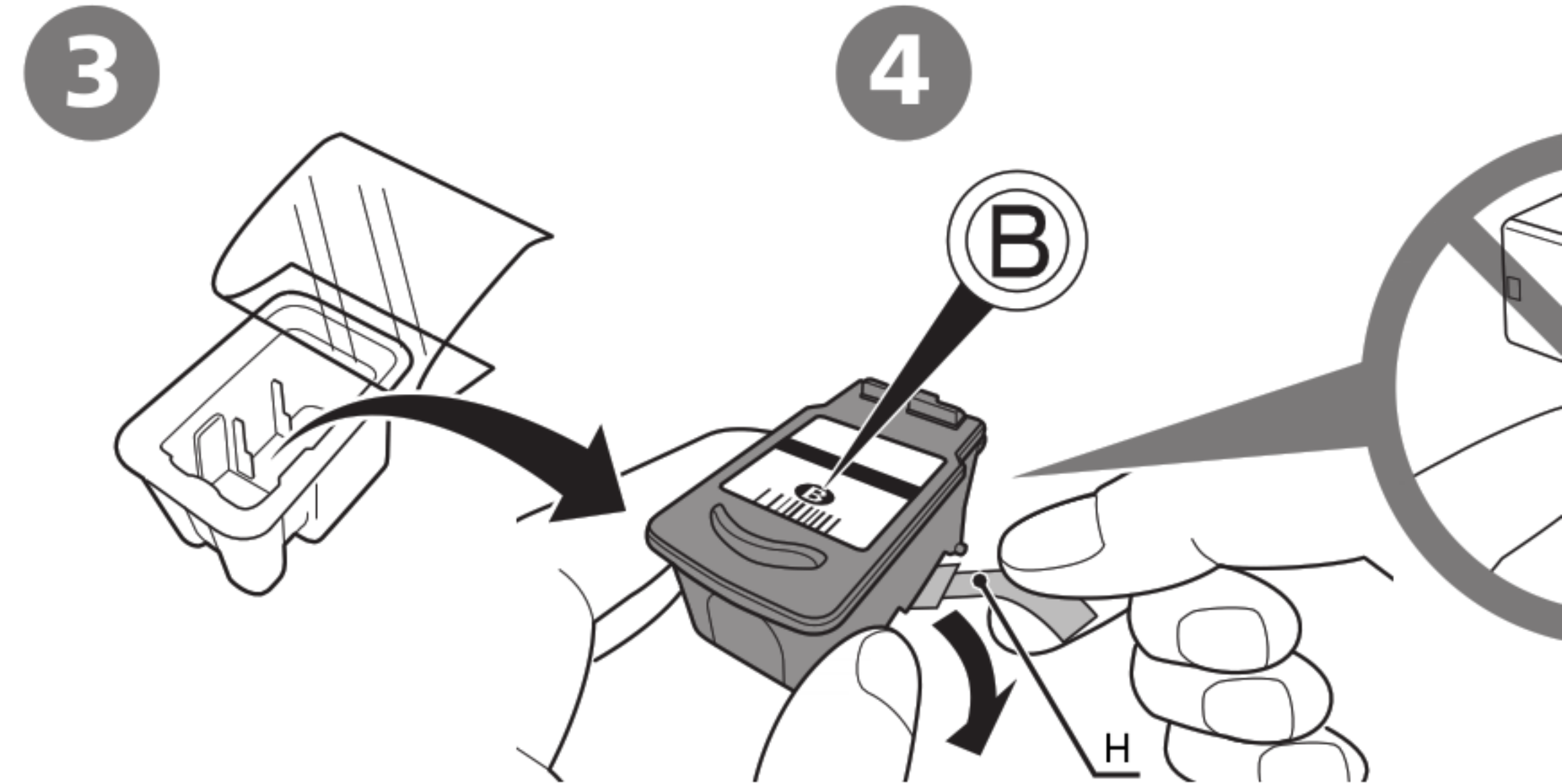
Lift the Scanning Unit (Cover) (A) and fix it with the Scanning Unit Support (D).
Close the Document Cover (E) and lift it with the Scanning Unit (Cover).
The FINE Cartridge Holder (F) moves to the installation position.

- If the Scanning Unit (Cover) is left open for more than 10 minutes, the FINE Cartridge Holder moves to the retraction position. In this case, close and reopen the Scanning Unit (Cover).
- If the FINE Cartridge Holder does not move, make sure that the machine is turned on.

4



Open the Ink Cartridge Locking Cover **B** on the right side.
Pinch (G) firmly and pull up the cover.

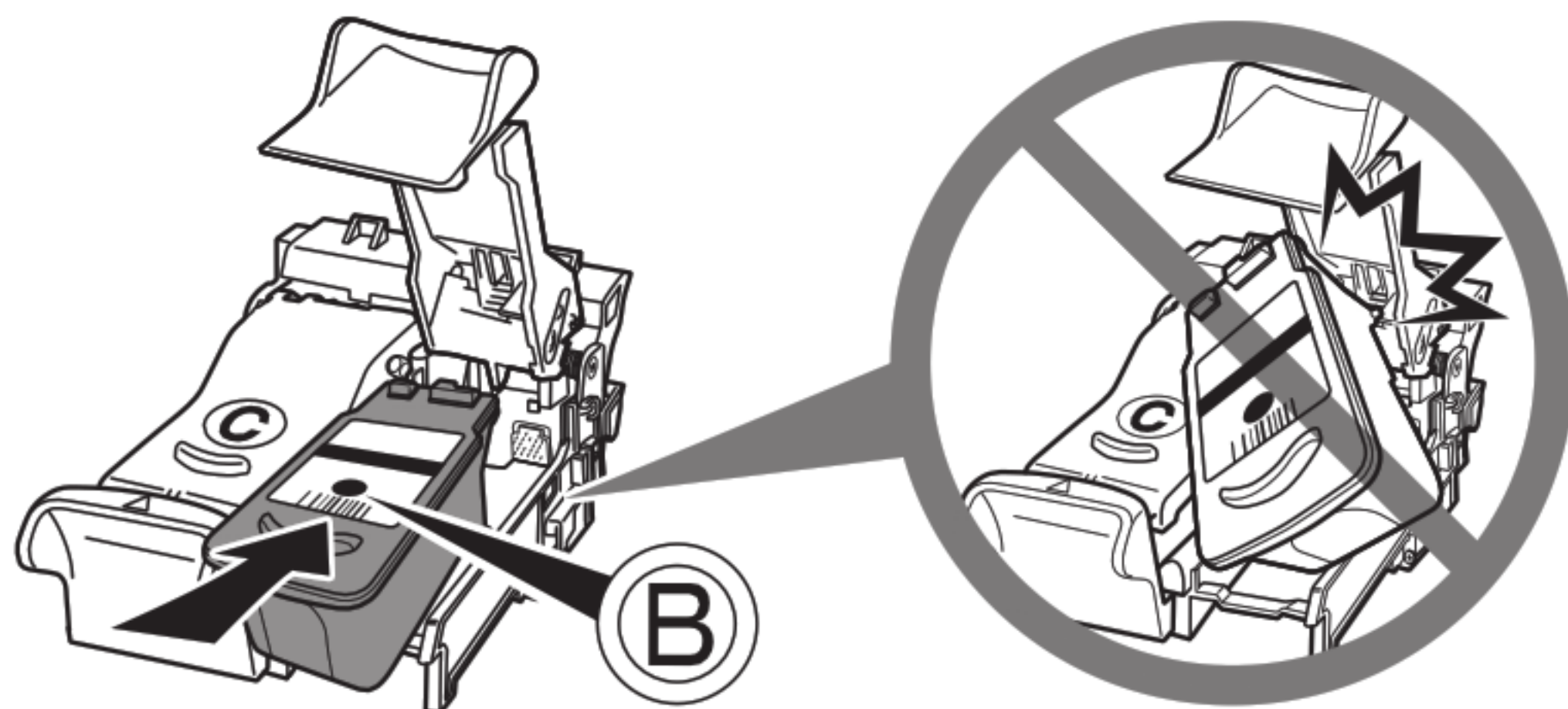


Remove the Black FINE Cartridge **B** from its package.

Pull the orange protective tape (H) the arrow and remove it gently.

- Be careful not to stain your hands or surrounding work area with ink on the removed p
- Do not touch the electrical contacts (I) or print head nozzles (J) on a FINE Cartridge. Th properly if you touch them.

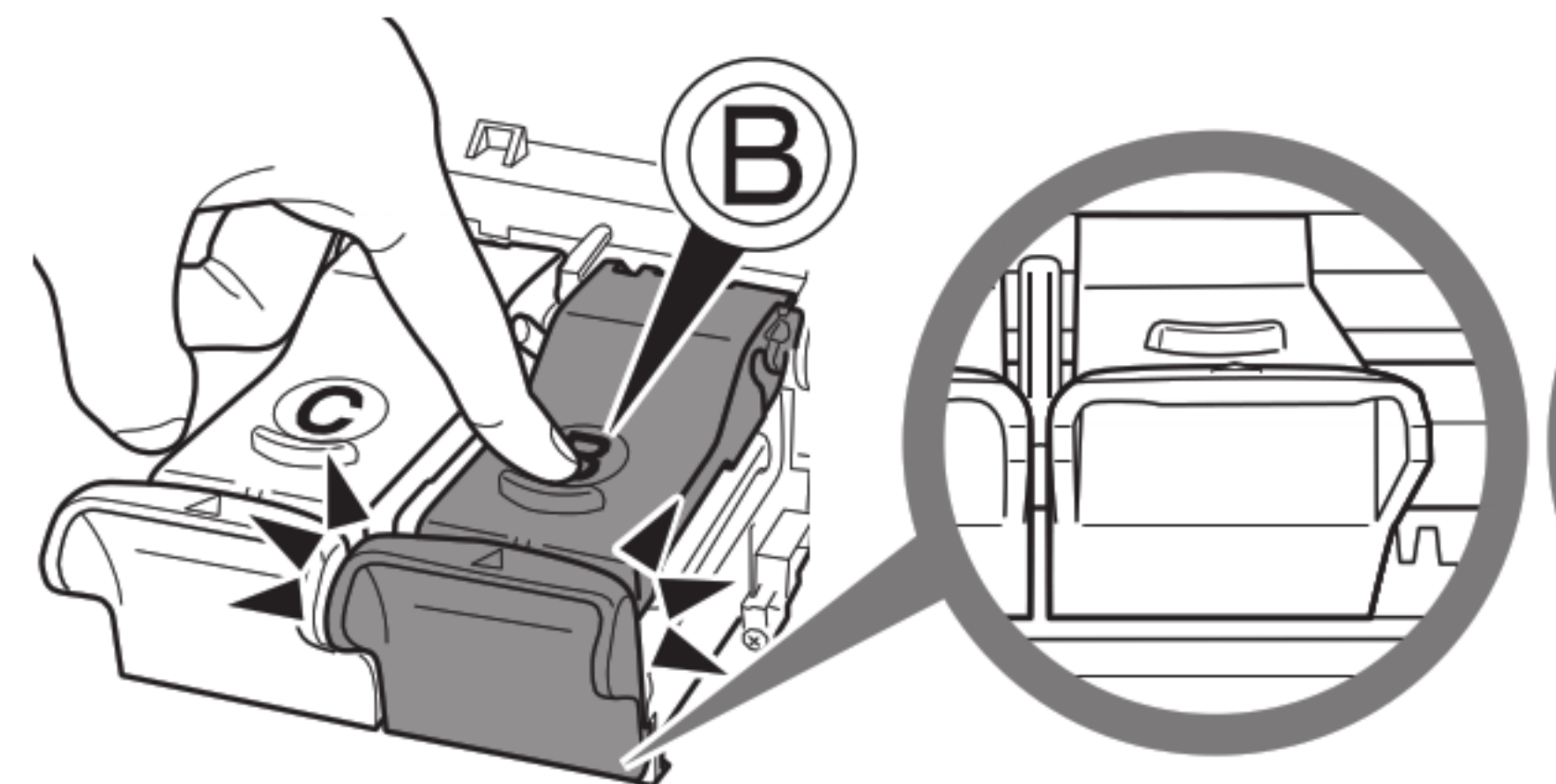
5



Place the Black FINE Cartridge (B) into the right slot (B).

- Do not knock the FINE Cartridge against the sides of the holder.
- Install in a well-lit environment.
- Install the Black FINE Cartridge into the right slot, and the Color FINE Cartridge into the left slot.

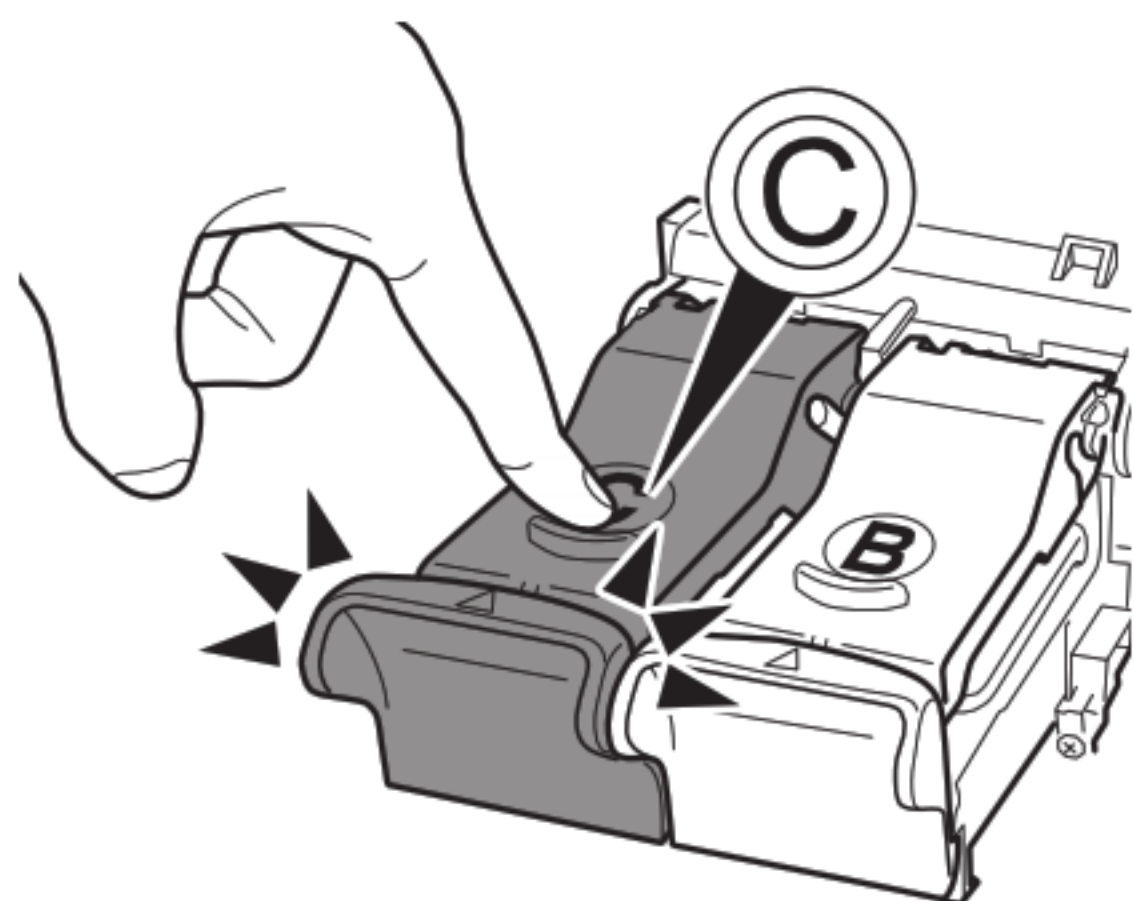
6



Push down (B) of the Ink Cartridge Locking Cover until close it completely.

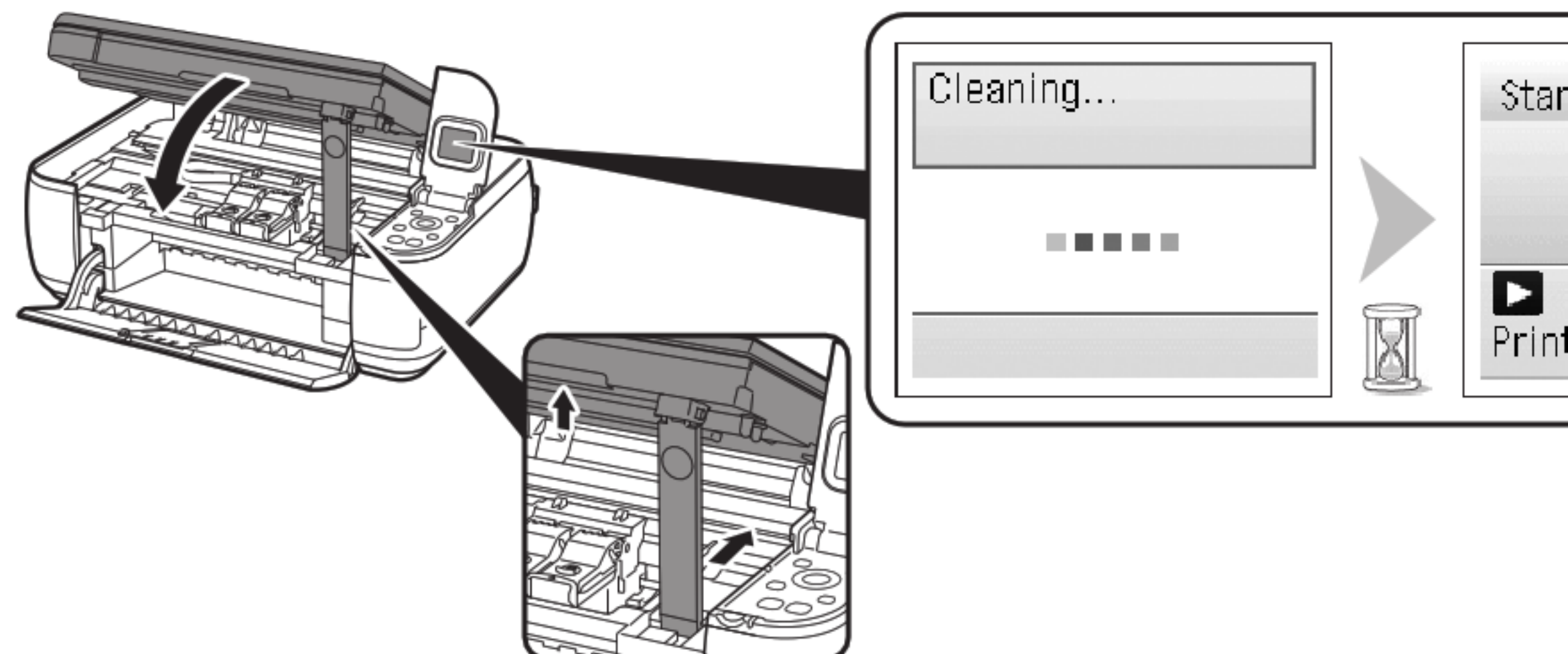
View the Ink Cartridge Locking Cover (B) straight on and check correctly (not at an angle).

7



Insert the Color FINE Cartridge © into the left FINE Cartridge Holder © in the same way as ©.

8



Lift the Scanning Unit (Cover) slightly and fold the Scanning Unit Support, then get Scanning Unit (Cover).



- Wait until the LCD changes as shown in the illustration (about 1-2 minutes) and



- Once you have installed the FINE Cartridges, do not remove them unnecessarily.
- If an error message is displayed on the LCD, make sure that the FINE Cartridges are correctly

5

Install the Software



To use the machine by connecting it to a computer, software including the drivers needs to be copied (installed) to the computer's hard disk. The installation process takes about 20 minutes. (The installation time varies depending on the computer environment or the number of applications to be installed.)

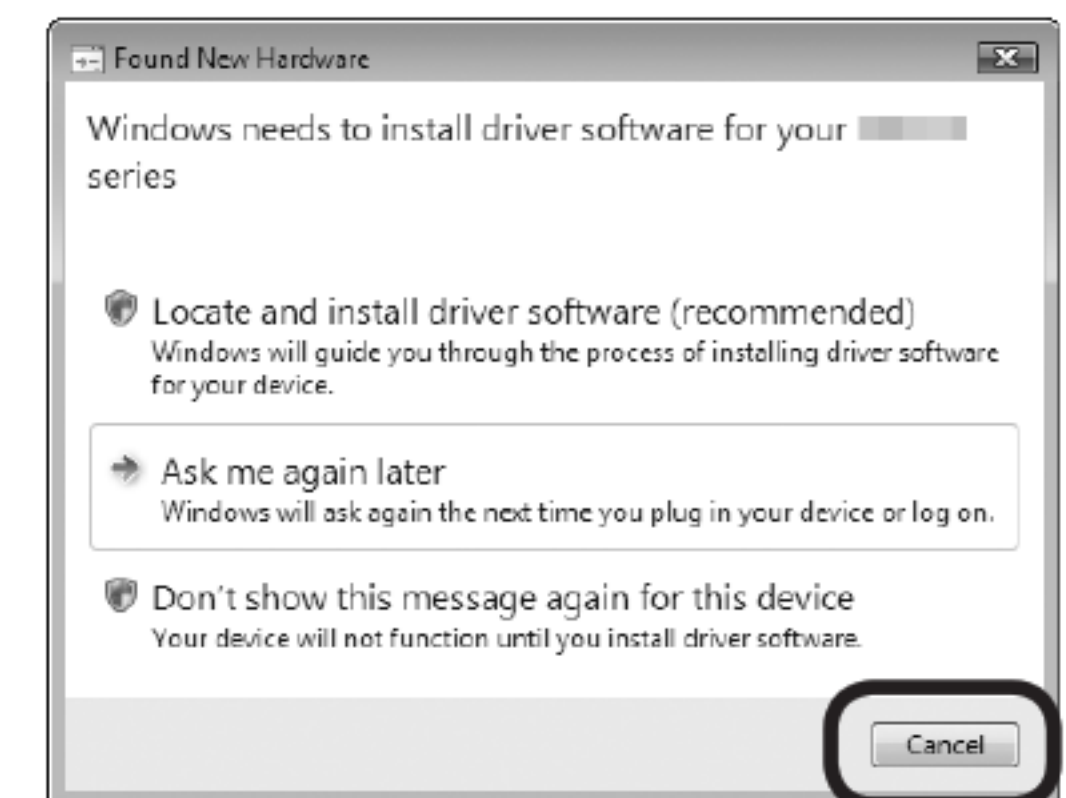
The screens below are based on Windows Vista operating system Ultimate Edition (hereafter referred to as "Windows Vista") and Mac OS X v.10.5.x.



- Quit all running applications before installation.
- Log on as the administrator (or a member of the Administrators group).
- Do not switch users during the installation process.
- Internet connection may be required during the installation. Connection fees apply.
- It may be necessary to restart your computer during the installation process. Follow the on-screen instructions and do not remove the **Setup CD-ROM** during restarting. The installation resumes once your computer has restarted.
- Mac OS 9, Mac OS X Classic environments, or Mac OS X v.10.3.8 or earlier are not supported.

Windows

- If the **Found New Hardware** or **Found New Hardware Wizard** dialog box appears:



If you connect a USB cable to the machine before installation of the drivers, this screen appears.

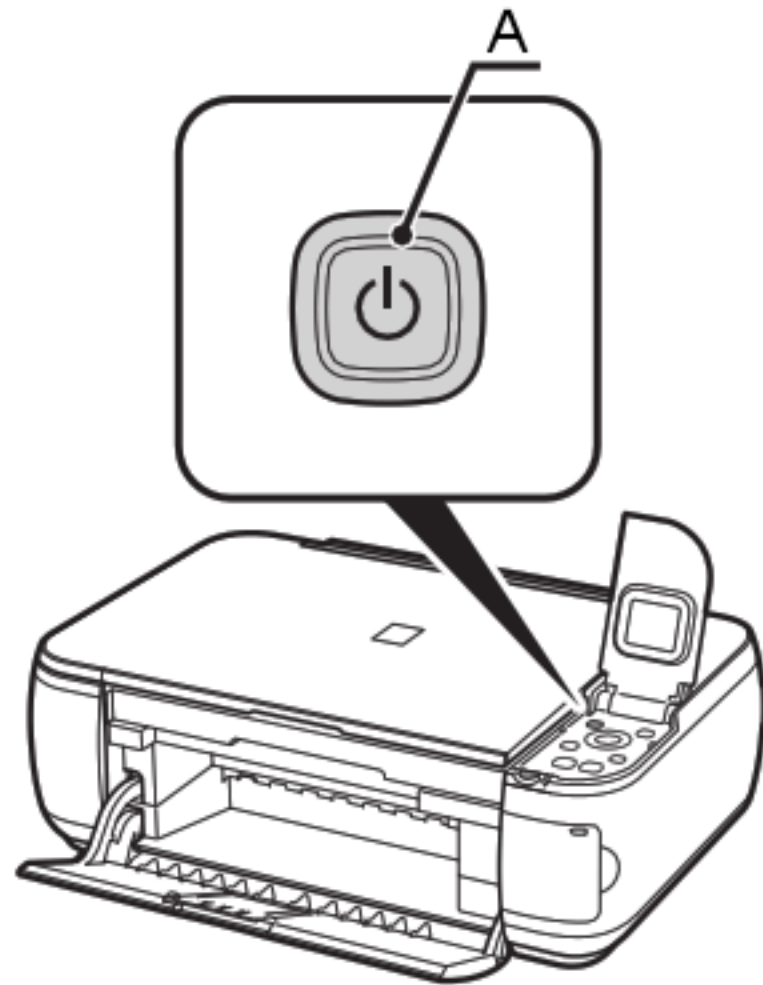
- 1 Remove the USB cable connected to your computer.
The dialog box may close. In this case, proceed from ①.
- 2 Click **Cancel** to quit the dialog box.
- 3 Proceed from ①.

Windows

- For Windows Vista/XP

If you are using Internet Explorer 7 or later, you can use the Web print software Easy-WebPrint EX. An internet connection is required for installation. (It is also possible to install this software later.)

1



TURN OFF THE MACHINE (A).

- Operating noise continues for about 25 seconds until the machine turns off.

2



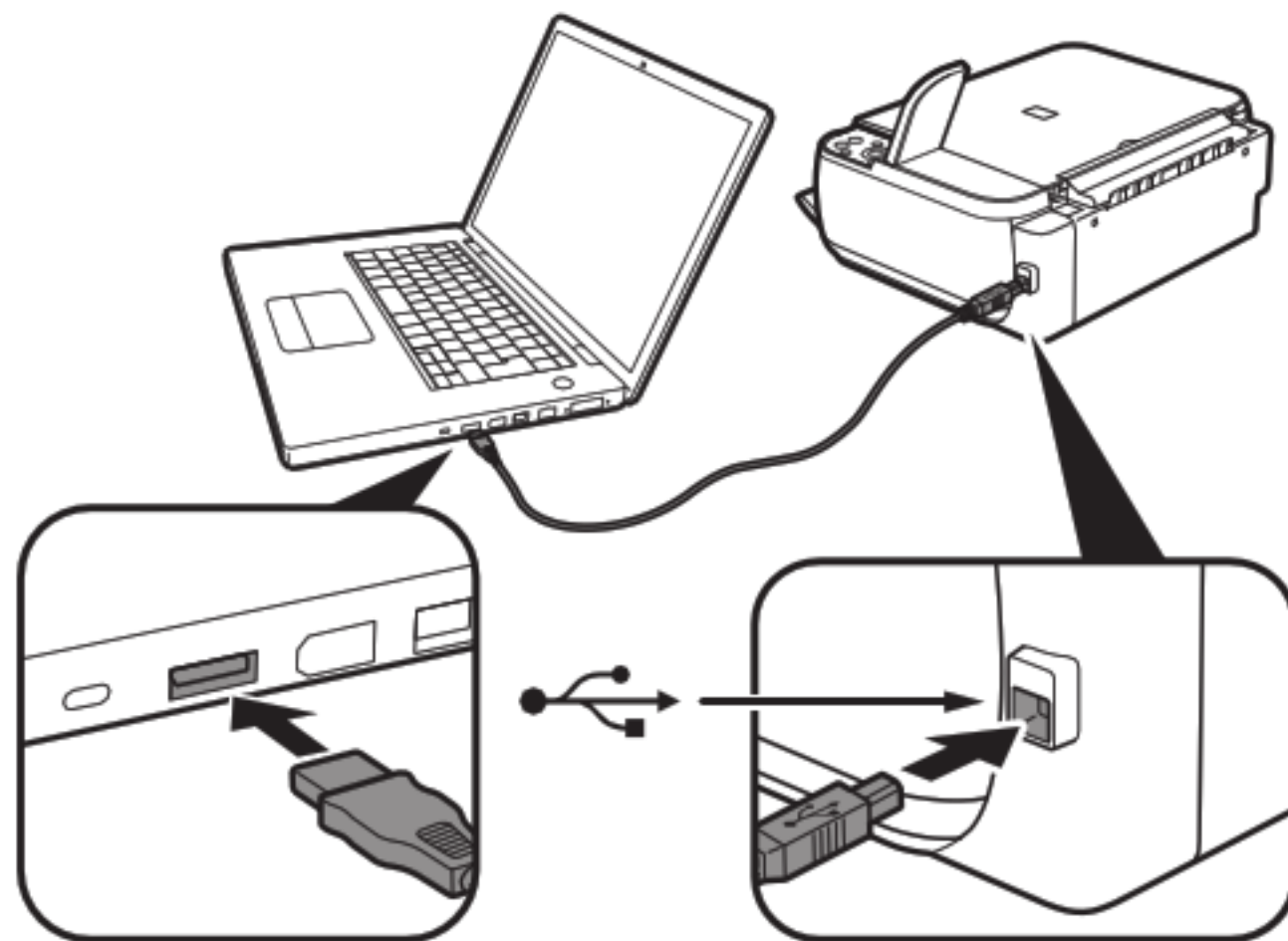
Turn on the computer and insert the **Setup CD-ROM** into the CD-ROM drive. The setup program will start automatically.



- If the program does not start automatically, double-click the **Setup** icon in **Computer** or **My Computer**. When the CD-ROM contents appear, double-click the **Setup** icon.

Macintosh

1



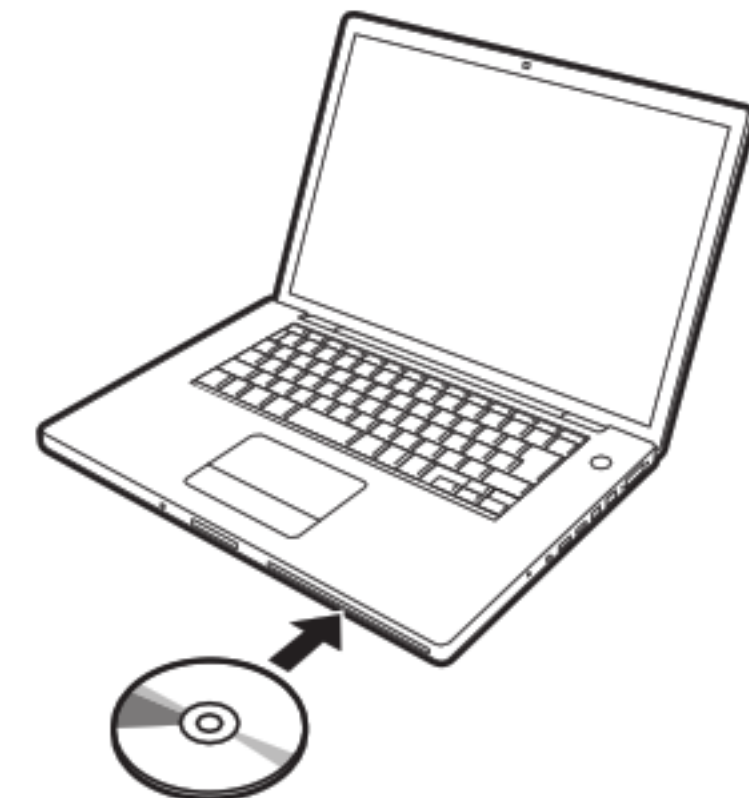
Connect the machine to the computer with a USB cable.

Make sure the machine is turned on.



- The USB Port is located on the right side of the machine.

2



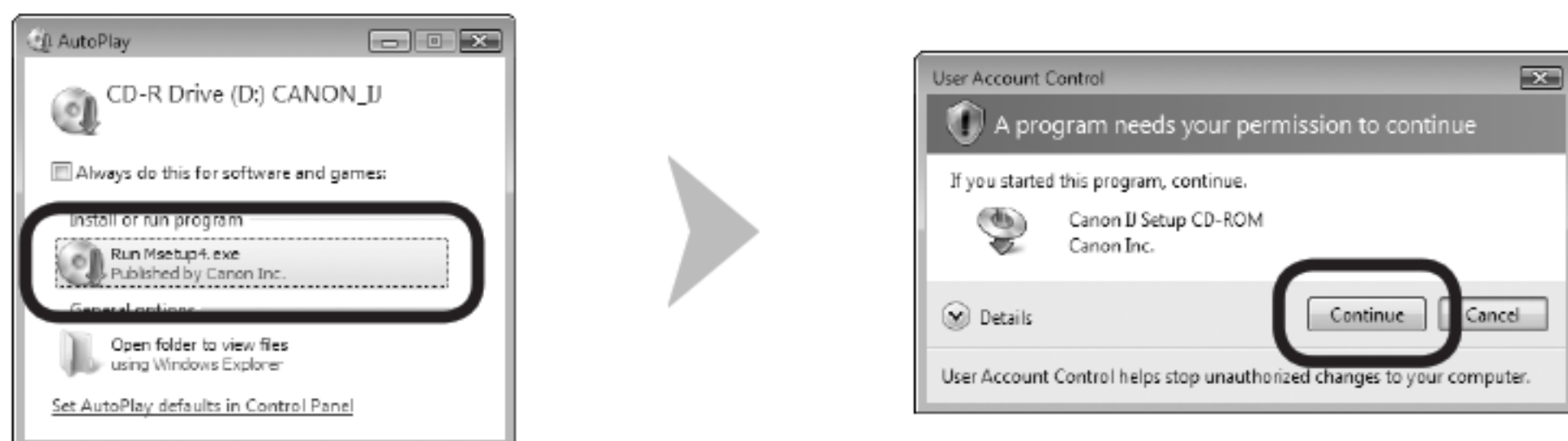
Turn on the computer and insert the **Setup CD-ROM** into the CD-ROM drive.

3 Windows Vista

Windows XP/2000 → 4

Click **Run Msetup4.exe** on the **AutoPlay** screen, then click **Continue** in the **User Account Control** dialog box.

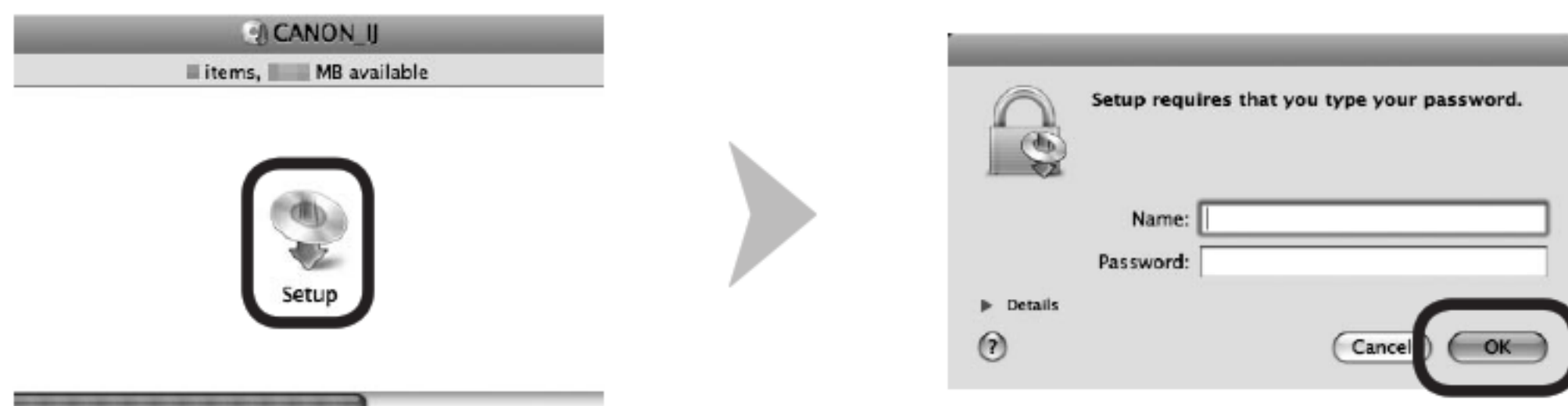
If the **User Account Control** dialog box reappears in following steps, click **Continue**.



3

Double-click the **Setup** icon of the CD-ROM folder to proceed to the **Setup** screen. Enter your administrator name and password, then click **OK**.

If you do not know your administrator name or password, click **Help**, then click **OK** to view the instructions.



- If the CD-ROM folder does not open automatically, double-click the CD-ROM icon.

4



Click **Easy Install**.

The drivers, application software, and on-screen manuals are installed all together.



- If you want to select particular items to install, click **Custom Install**.

5



Click **Install**.

Follow any on-screen instructions to proceed with the installation.

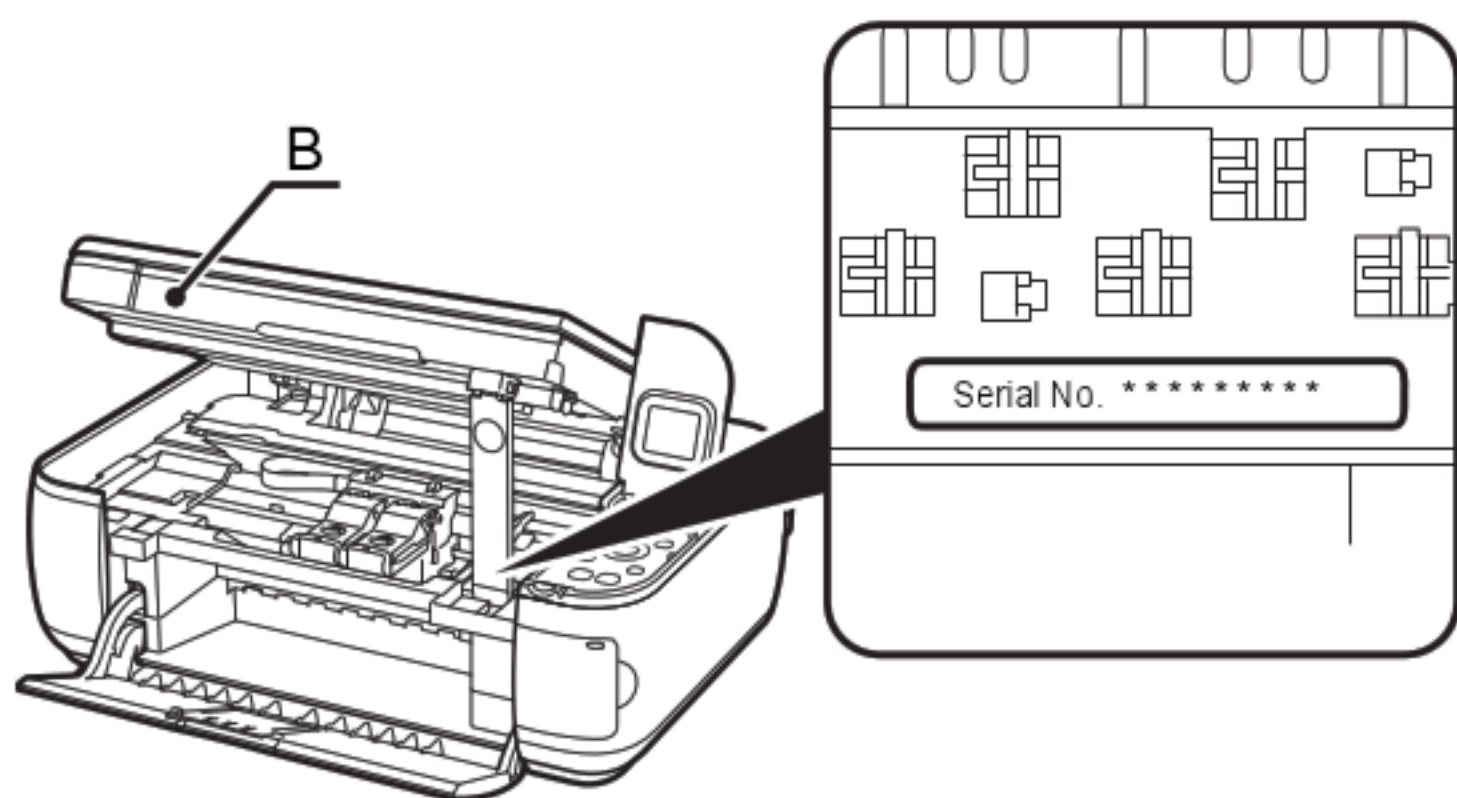
For Windows Vista/XP

- If you are using Internet Explorer 7 or later, you can use the Easy-WebPrint EX. An internet connection is required for installation. (It is possible to install this software later.)



Important Information for the Installation

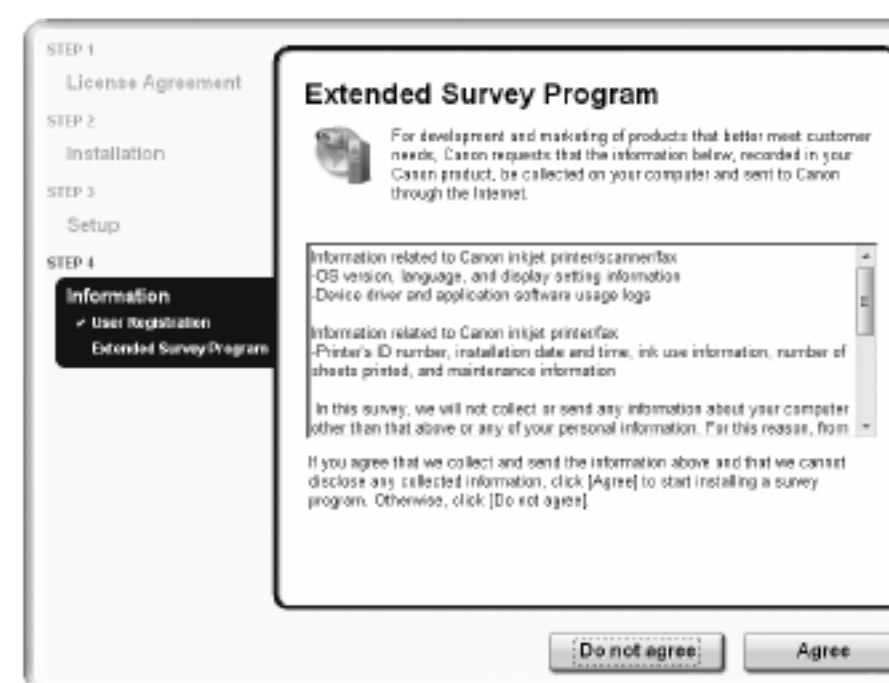
□ Necessary Information for the User Registration



The product serial number is required when registering the product. The serial number is located inside the machine (as shown in the illustration).

- When opening the Scanning Unit (Cover) (B), the FINE Cartridge Holder moves automatically.

□ About Extended Survey Program



If you can agree to Extended Survey Program, click **Agree**.
If you click **Do not agree**, the Extended Survey Program will not be installed. (This has no effect on the machine's functionality.)

- The screen does not appear on Mac OS X v.10.3.9.

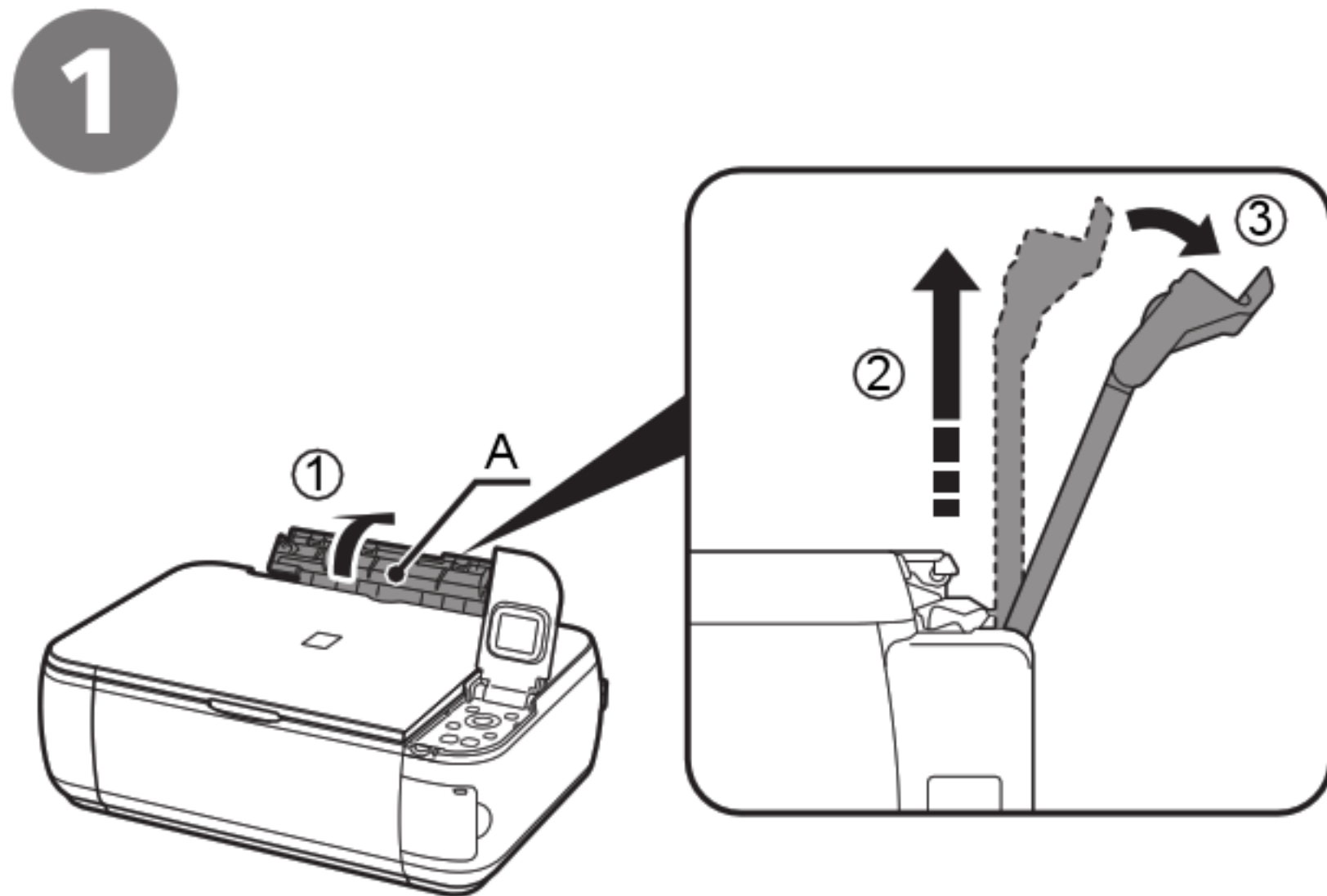
6



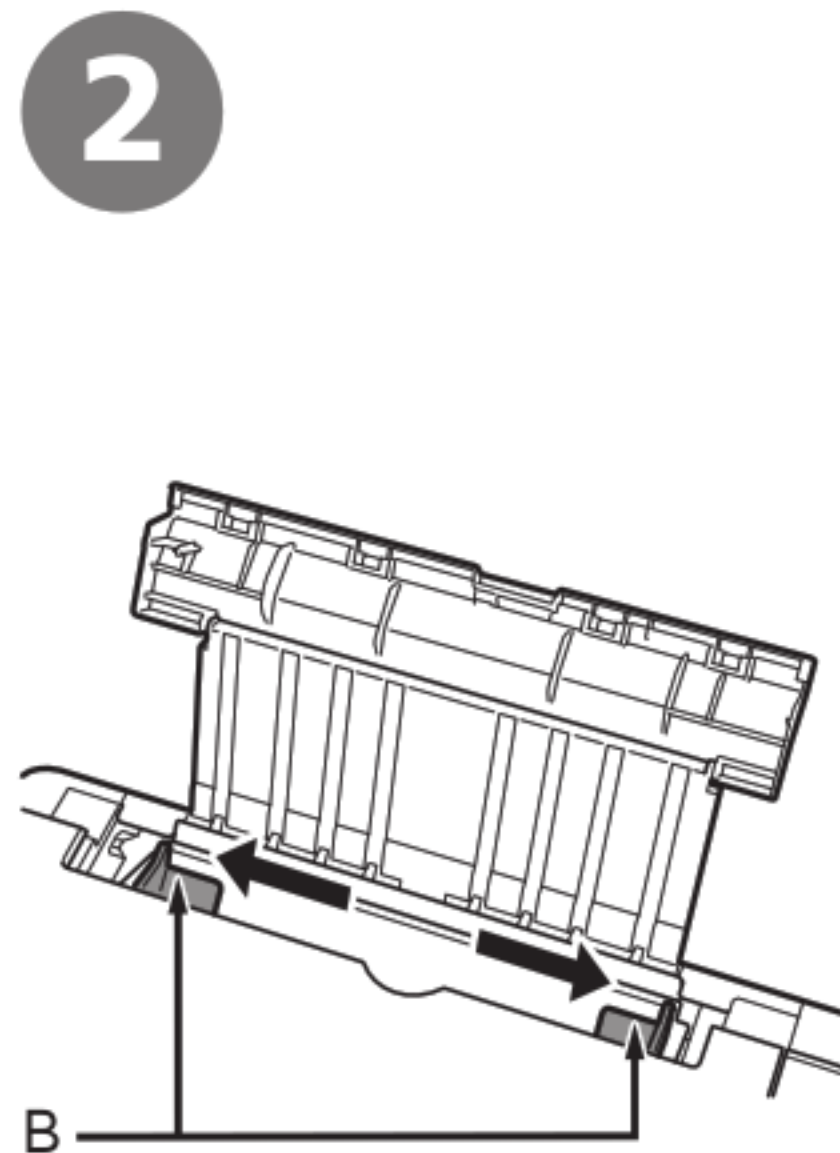
Click **Exit** to complete the installation.
If **Restart** is displayed, follow the instructions on the computer.
After restarting the computer, remove the installation CD and keep it in a safe place.
When using Macintosh, it is necessary to restart the computer before scanning using the machine for the first time.

Next, read "6 Loading Paper"

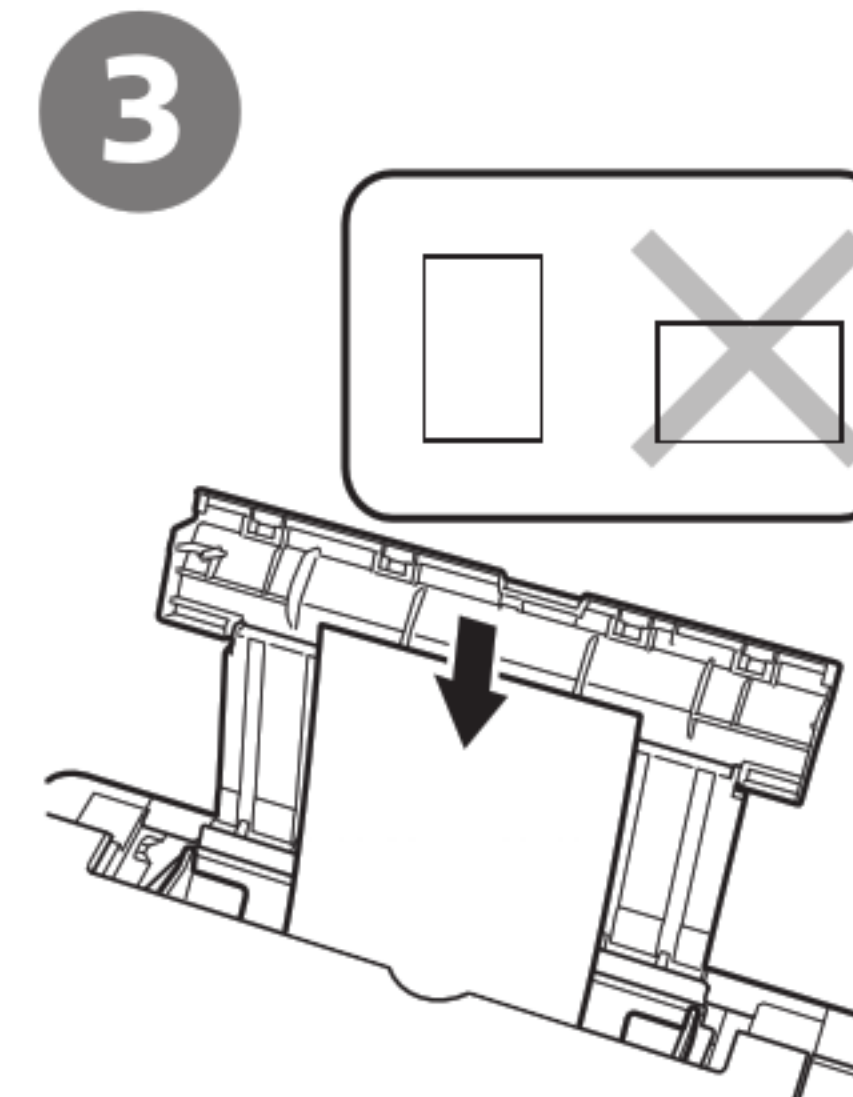
6 Loading Paper



Open the Paper Support (A) and pull it straight up, then slant it back.



Move the Paper Guides (B) to both edges.



Load paper in the center.
Load paper in portrait orientation with the printing side facing up.



Slide the left and right guides against both edges of the paper.
Make sure that the paper does not exceed the line (C).



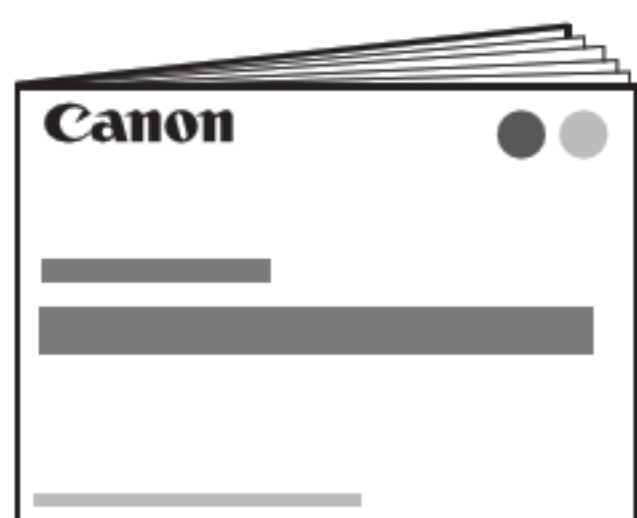
• For details on media that can be used, refer to the user manual: **Basic**

Machine installation is

After Installing the Machine

■ Introduction of Manuals

The following manuals are supplied with the machine.



Getting Started (this manual)

Describes how to set up and use your machine. Introduces the machine and its functions, the included manuals and application software.



Basic Guide

Describes basic operations and media, and gives an introduction to other functions available.



on-screen manuals



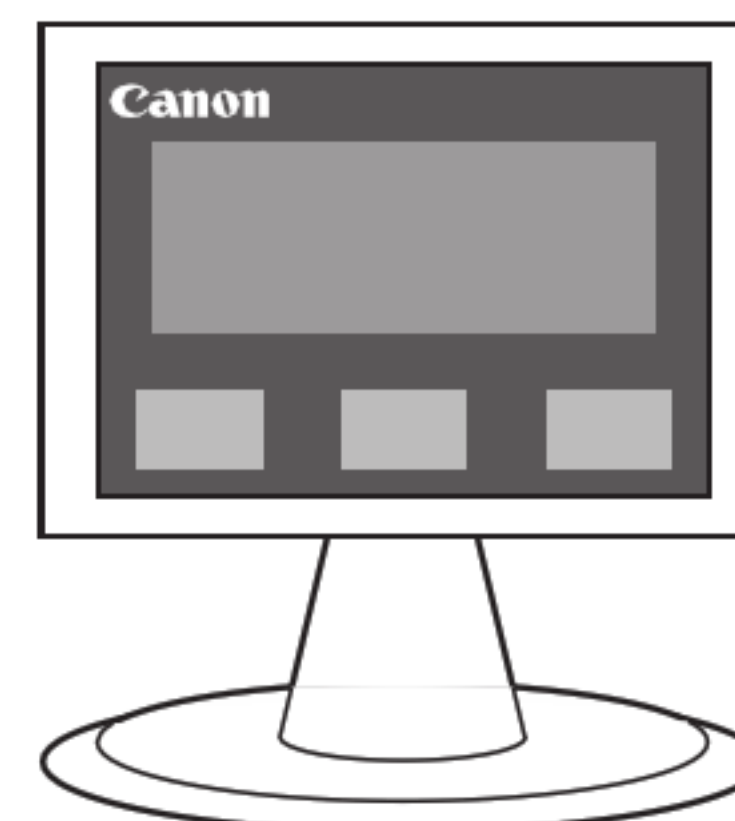
Advanced Guide

Describes various operating procedures to make full use of machine.



Troubleshooting

Describes troubleshooting for problems when using the machine.



For details on opening the on-screen manuals, refer to the Getting Started manual.

■ Solution Menu

Solution Menu is a gateway to functions and information that allow you to make full use of the machine.



Example: Windows Vista



*The buttons displayed vary depending on the country or region of purchase.



Get help for your Canon product or software.

Click this button to open the on-

Open various applications and on-screen manuals with a single click.

You can start Solution Menu from the **Canon Solution Menu** icon on the desktop or on the Dock (Macintosh).

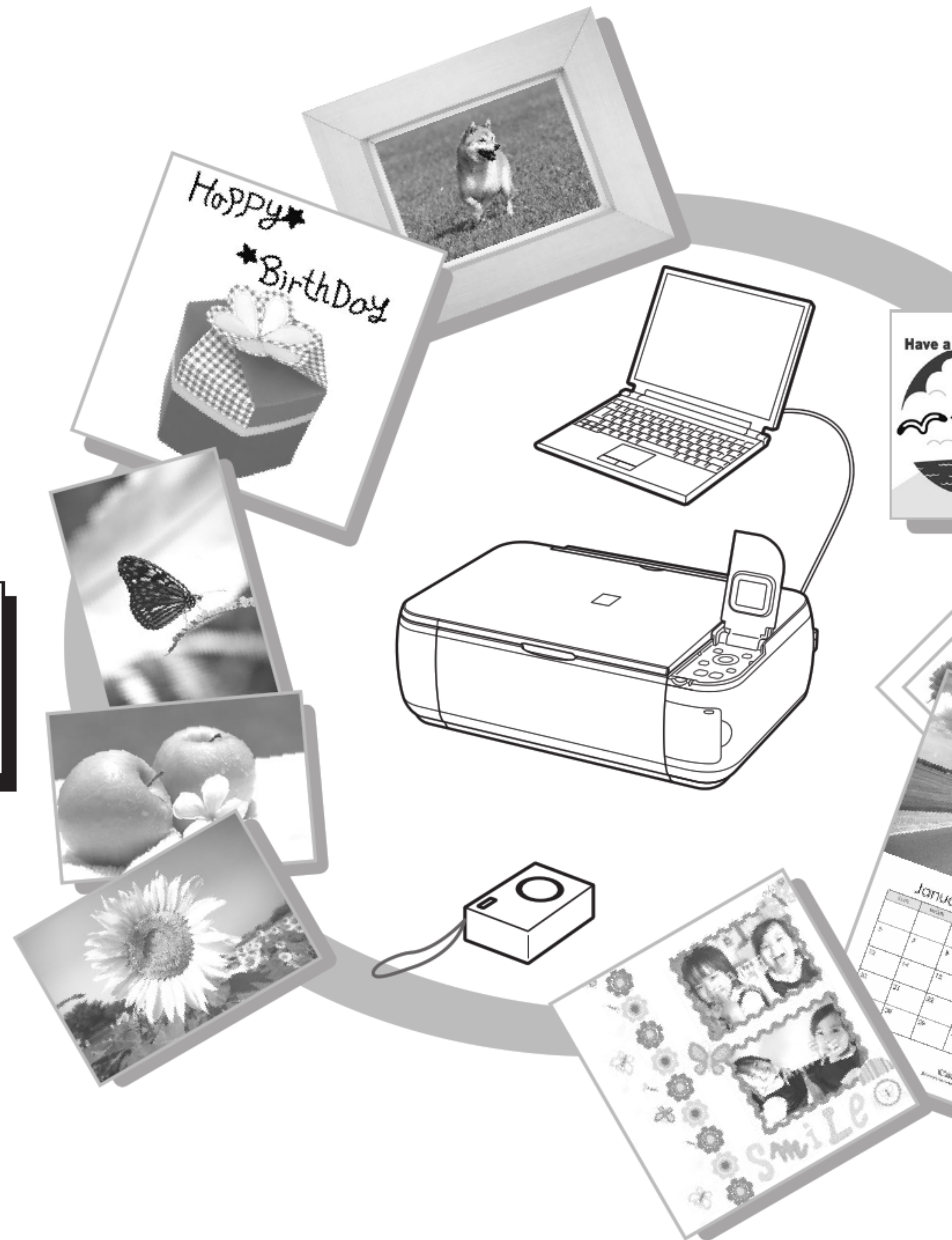
If you have a problem with machine settings, click the **Change settings or problems.** in Solution Menu to open My Printer (Windows only).

Try Using the Machine!

Various application software are installed on the computer along with the drivers. You can print creative items by correcting/enhancing photos using the applications.

Alternatively, use the Operation Panel on the machine to print your own items easily.

For details on how to use the application software and the machine, refer to the on-screen manuals: **Basic Guide** and **Advanced Guide**.

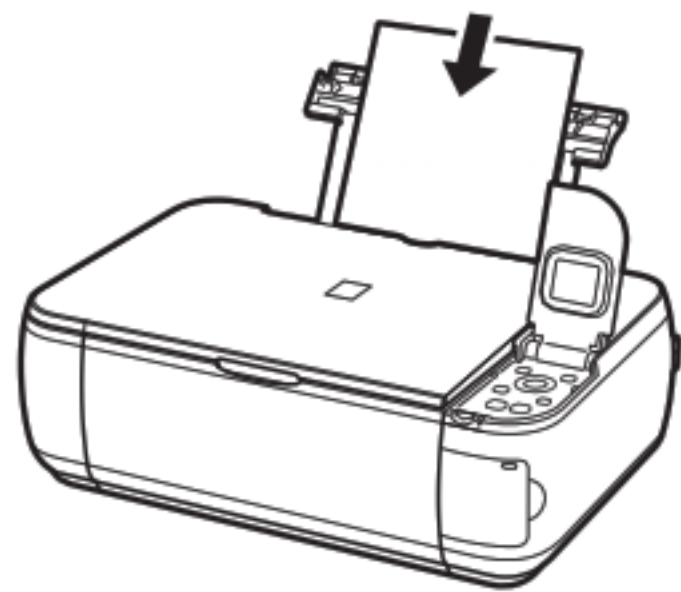


Try Copying

You can copy a document by simply placing it on the Platen Glass and pressing the start button.

This section explains with plain paper. For various copying procedures, refer to "Copying" in the on-screen manual: **Basic Guide**.

1

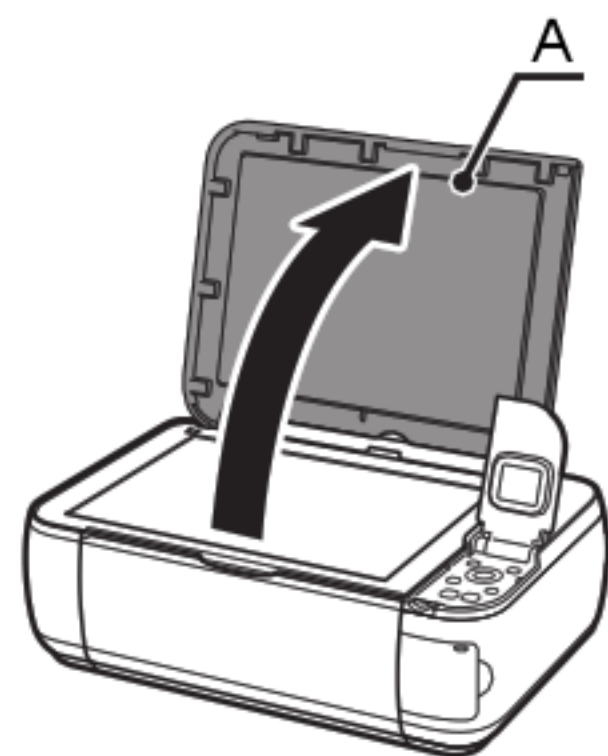


Load a sheet of A4 or Letter-sized plain paper.



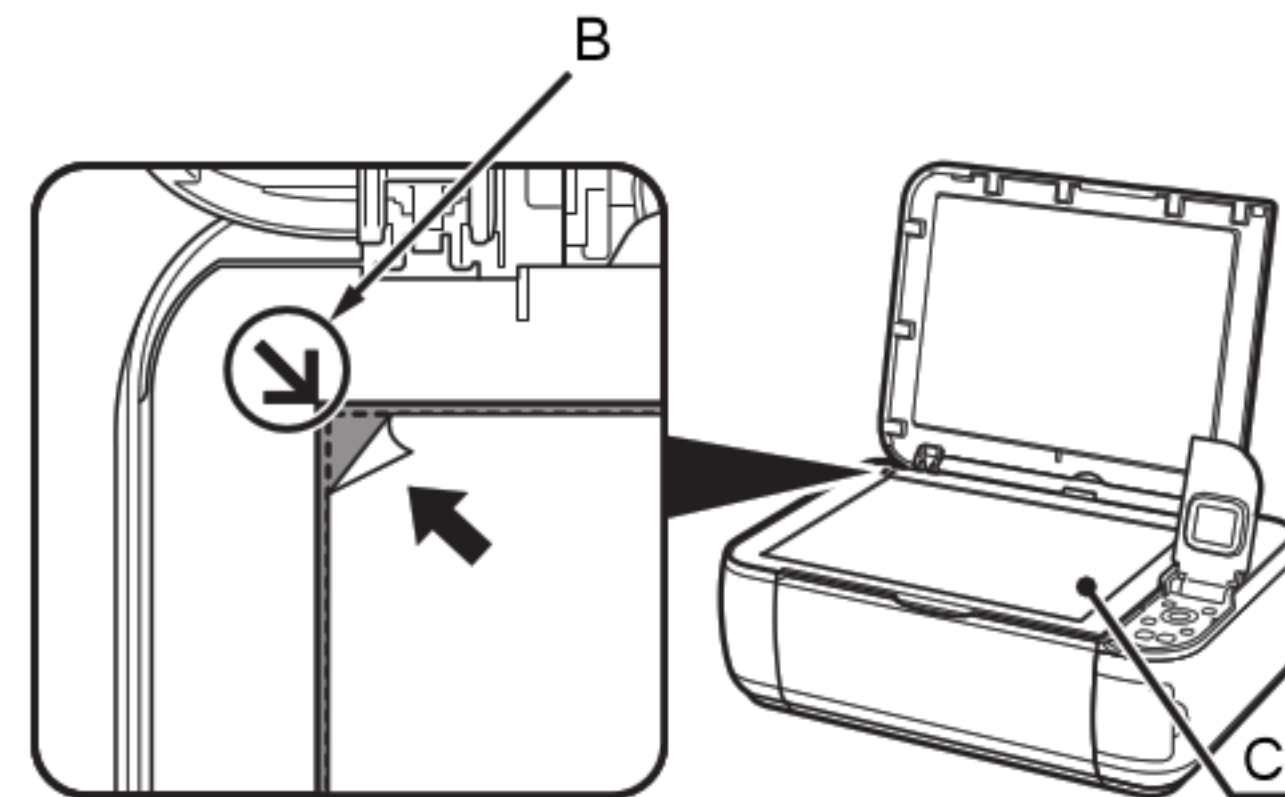
- For details, refer to "6 Loading Paper" on page 14.
- The machine may make operating noise when feeding paper. This is normal operation.

2



Open the Document Cover (A).

3

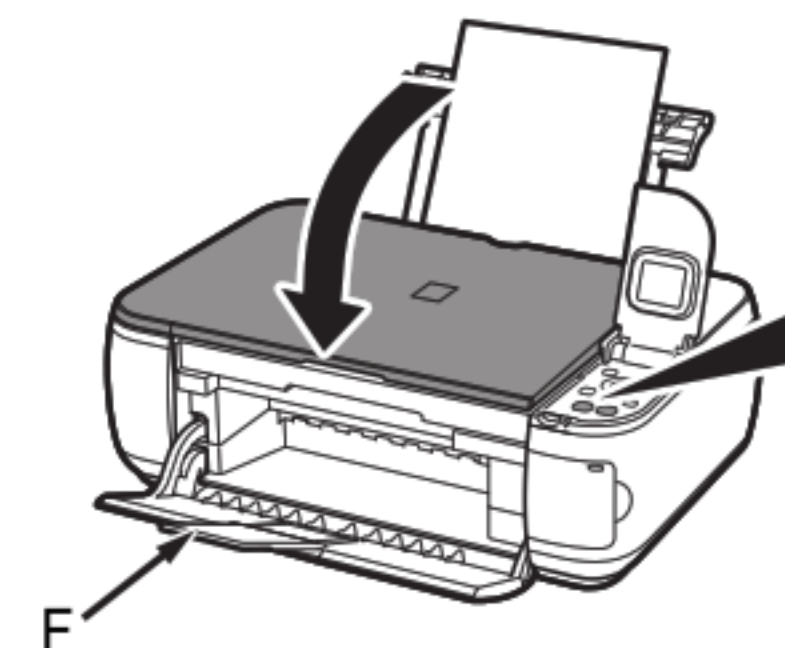


Place the document face-down and align it with the Alignment Mark (B).



- Do not place any objects weighing more than 4.4 lb / 2.0 kg on the Platen Glass (C).
- Do not press or put weight on the original with pressure exceeding 4.4 lb / 2.0 kg. Doing so may cause the scanner to malfunction or the Platen Glass to break.


4



Close the Document Cover. Press the **Black** button (D) or the **Color** button (E).

Copying will start. Remove the printed page when printing is complete.



- Do not open the Document Cover until copying is complete.
- 
- Make sure that the Output Tray is extended.

Print Photos from a Computer

Easy-PhotoPrint EX allows you to print photos easily.

This section explains how to print borderless photos using 4" x 6" size **Photo Paper Plus Glossy II**. The screens are based on Windows Vista.

1



In Solution Menu, click **One-Click to Photo Print**.

Easy-PhotoPrint EX starts.

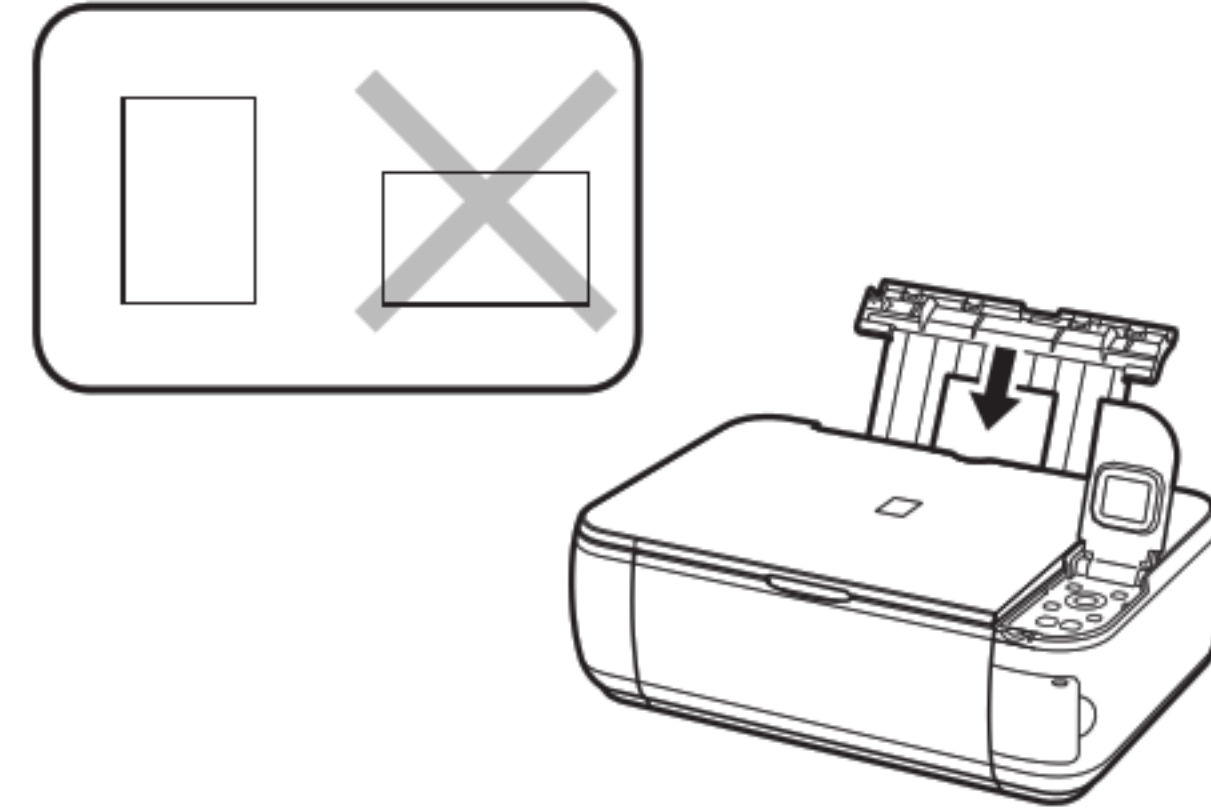
2



Select the image you want to print, then click **Layout/Print**.

When a photo is selected, the number of copies is set to "1".

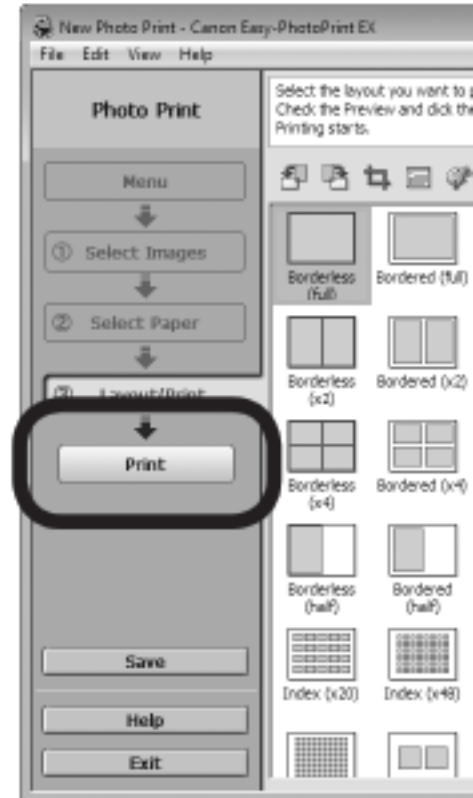
3



Load a sheet of photo paper in portrait orientation.

Load a sheet of paper with the printing side facing up.

4



Click **Print**.

For Windows:
Printing will start.

For Macintosh:
Click **Print** on the
start printing.



- For details on starting Solution Menu, refer to "Solution Menu" on page 16.
- For more information, refer to the on-screen manual: **Advanced Guide**.

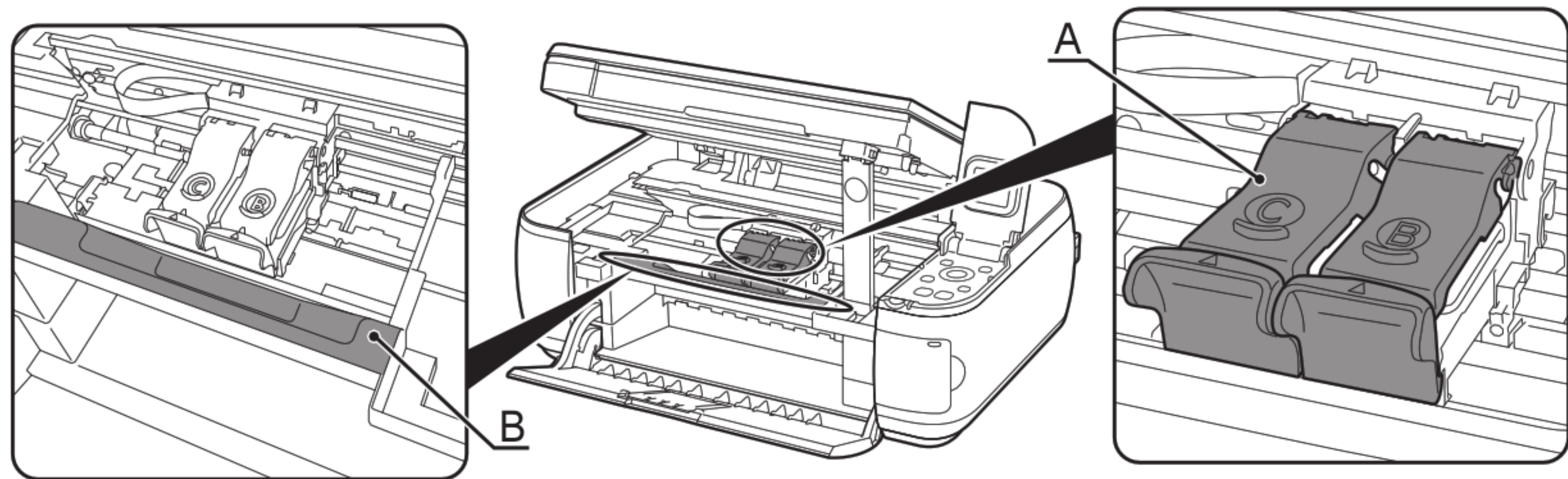


- For details, refer to "6 Loading Paper" on page 14.

Maintenance

After a period of use, the inside of the machine may become stained with ink. To avoid staining your hands or clothes with ink, it is recommended to cover the Ink Cartridge Locking Cover (A) and the inside of the tray (B) with a facial tissue or the like as required.

If the Scanning Unit (Cover) is left open for more than 10 minutes, the FINE Cartridge Holder moves to the right automatically.



Specifications

General Specifications	
Printing resolution (dpi)	4800* (horizontal) x 1200 (vertical) * Ink droplets can be placed with a pitch of 1/4800 inch at minimum.
Interface	USB Port: Hi-Speed USB* * A computer that complies with Hi-Speed USB standard is required. Since the Hi-Speed USB interface is fully upwardly compatible with USB 1.1, it can be used at USB 1.1.
Print width	8 inches/203.2 mm (for Borderless Printing: 8.5 inches/216 mm)
Operating environment	Temperature: 5 to 35°C (41 to 95°F) Humidity: 10 to 90% RH (no condensation)
Storage environment	Temperature: 0 to 40°C (32 to 104°F) Humidity: 5 to 95% RH (no condensation)
Power supply	AC 100-240 V, 50/60 Hz
Power consumption	Printing (Copy): Approx. 12W Standby (minimum): Approx. 1.9W* OFF: Approx. 0.6W* * USB connection to PC
External dimensions	Approx. 17.8 (W) x 13.2 (D) x 6.1 (H) inches Approx. 450 (W) x 335 (D) x 155 (H) mm * With the Paper Support and Paper Output Tray retracted.
Weight	Approx. 5.5 kg (Approx. 12.0 lb) * With the FINE Cartridges installed.
Canon FINE Cartridge	Black: 320 nozzles Color: 384 x 3 nozzles

Copy Specifications	
Multiple copy	Max 99 pages
Intensity adjustment	Auto intensity (AE copy)
Reduction/Enlargement	Fit-to-page, Preset ratios

Scan Specifications	
Scanner driver	TWAIN/WIA (Windows Vista and Windows XP only)
Maximum scanning size	A4/Letter, 8.5" x 11.7"/216 x 297 mm
Scanning resolution	Optical resolution (horizontal x vertical) max: 1200 dpi x 2400 dpi Interpolated resolution max: 19200 dpi x 19200 dpi
Gradation (Input/Output)	Gray: 16 bit/8 bit Color: 48 bit/24 bit (RGB each 16 bit/8 bit)

Minimum System Requirements		
☞ Conform to the operating system's requirements when higher than those given here.		
	Windows	Macintosh
Operating System	Windows Vista, Vista SP1	Mac OS X v.10.5
Processor	1 GHz processor	Intel processor, PowerPC G5,
RAM	512 MB	PowerPC G4 (867 MHz or faster) 512 MB
	Windows XP SP2, SP3	Mac OS X v.10.4
	300 MHz processor	Intel processor, PowerPC G5,
	128 MB	PowerPC G4, PowerPC G3 256 MB
	Windows 2000 Professional	Mac OS X v.10.3.9
	SP4	PowerPC G5, PowerPC G4,
	300 MHz processor	PowerPC G3
	128 MB	128 MB
Browser	Internet Explorer 6 or later	Safari
Hard Disk Space	750 MB Note: For bundled software installation.	800 MB Note: For bundled software installation.
CD-ROM Drive	Required	
Display	XGA 1024 x 768	
	<ul style="list-style-type: none"> • Windows: Operation can only be guaranteed on a PC with Windows Vista, XP or 2000 pre-installed. • To upgrade from Windows XP to Windows Vista, first uninstall software bundled with the Canon inkjet printer. • Some functions may not be available with Windows Media Center. • Macintosh: Hard Disk must be formatted as Mac OS Extended (Journaled) or Mac OS Extended. • Internet Explorer 7 or later is required to install Easy-WebPrint EX. 	

Additional System Requirements	
Windows	Macintosh
Browser: Easy Guide Viewer Note: Internet Explorer 6 or later must be installed. The on-screen manual may not be displayed properly depending on your operating system or Internet Explorer version. We recommend that you keep your system up to date with Windows Update.	Browser: Easy Guide Viewer Note: The on-screen manual may not be displayed properly depending on your operating system or Internet Explorer version. We recommend that you keep your system up to date with Windows Update.

Specifications are subject to change without notice.

About Consumables

Consumables (ink tanks / FINE Cartridges) are guaranteed for 5 years after production has stopped.

Getting Help from Canon

Email Tech Support — www.canontechsupport.com

Toll-Free Live Tech Support— (1-800-828-4040) under warranty

This option provides live telephone technical support, free of service charges, Monday-Friday (excluding holidays), during the warranty period.

Telephone Device for the Deaf (TDD) support is available at (1-866-251-3752).

Ordering Information

The following ink cartridges are compatible with this machine.



Order

PG-210XL
CL-211XL
PG-210
CL-211

2973B001
2975B001
2974B001
2976B001

Call 1-800-OK-CANON to locate a dealer near you, or visit the Canon eStore at www.canonestore.com

CANON U.S.A. INC.
One Canon Plaza, Lake Success, NY 11042 U.S.A.
www.usa.canon.com