

capello™



# Wake Up CD Alarm Clock

with Digital AM/FM Radio

CR25 user guide



**CAUTION**  
**RISK OF ELECTRIC SHOCK**  
**DO NOT OPEN**



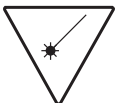
**CAUTION: TO REDUCE THE RISK OF ELECTRIC SHOCK, DO NOT REMOVE COVER (OR BACK). NO USER-SERVICEABLE PARTS INSIDE. REFER SERVICING TO QUALIFIED SERVICE PERSONNEL.** The Caution Marking is located at the back enclosure of the unit and the Rating Label is located at the bottom enclosure of the unit.



**DANGEROUS VOLTAGE:** The lightning flash with arrowhead symbol, within an equilateral triangle is intended to alert the user to the presence of uninsulated dangerous voltage within the product's enclosure that may be of sufficient magnitude to constitute a risk of electric shock to persons.



**ATTENTION:** The exclamation point within an equilateral triangle is intended to alert the user to the presence of important operating and maintenance (servicing) instructions in the literature accompanying the appliance.



**DANGER:** This symbol is intended to alert the user to the risk of exposure to invisible and hazardous laser radiation if the cover or back is opened the interlock fails or is defeated. Direct exposure to the beam may damage your eyesight.

**FCC WARNING:** This equipment may generate or use radio frequency energy. Changes or modifications to this equipment may cause harmful interference unless the modifications are expressly approved in the instruction manual. The user could lose the authority to operate this equipment if an unauthorized change or modification is made.

**WARNING: TO PREVENT FIRE OR SHOCK HAZARD, DO NOT EXPOSE THIS UNIT TO RAIN OR MOISTURE.**

**FCC WARNING: Compliance information:** This device complies with Part 15 of the FCC Rules. Operation is subject to the following two conditions: (1) this device may not cause harmful interference, and (2) this device must accept any interference received, including interference that may cause undesired operation.

**NOTE:** This equipment has been tested and found to comply with the limits for a Class B digital device, pursuant to part 15 of the FCC Rules. These limits are designed to provide reasonable protection against harmful interference in a residential installation. This equipment generates, uses and can radiate radio frequency energy and, if not installed and used in accordance with the instructions, may cause harmful interference to radio communications. However, there is no guarantee that interference will not occur in a particular installation. If this equipment does cause harmful interference to radio or television reception, which can be determined by turning the equipment off and on, the user is encouraged to try to correct the interference by one or more of the following measures:

- Reorient or relocate the receiving antenna.
- Increase the separation between the equipment and receiver.
- Connect the equipment into an outlet on a circuit different from that to which the receiver is connected.
- Consult the dealer or an experienced radio/TV technician for help.

**LASER SAFETY:** This unit employs a laser. Only qualified service personnel should attempt to service this device due to possible eye injury

**CAUTION:** USE OF CONTROLS, ADJUSTMENT OR PERFORMANCE PROCEDURE HEREIN MAY RESULT IN HAZARDOUS RADIATION EXPOSURE.

**SURGE PROTECTORS:** It is recommended to use a surge protector for AC connection. Lightning and power surges ARE NOT covered under warranty for this product.

**ATTENTION:** POUR ÉVITER LES CHOC ÉLECTRIQUES, INTRODUIRE LA LAME LA PLUS LARGE DE LA FICHE DANS LA BORNE CORRESPONDANTE DE LA PRISES ET POUSSER JUSQU'AU FOND.

This Class B digital apparatus complies with Canadian ICES-003. Cet appareil numérique de la classe B est conforme à la norme NMB-003 du Canada.

# IMPORTANT SAFETY INSTRUCTIONS

1. Read these Instructions.
2. Keep these Instructions.
3. Heed all Warnings.
4. Follow all instructions.
5. Do not use this apparatus near water.
6. Clean only with a dry cloth.
7. Do not block any of the ventilation openings. Install in accordance with the manufacturer's instructions.
8. Do not install near any heat sources such as radiators, heat registers, stoves, or other apparatus (including amplifiers) that produce heat.
9. Do not defeat the safety purpose of the polarized or grounding-type plug. A polarized plug has two blades with one wider than the other. A grounding-type plug has two blades and a third grounding prong. The wide blade or the third prong are provided for your safety. When the provided plug does not fit into your outlet, consult an electrician for replacement of the obsolete outlet.
10. Protect the power cord from being walked on or pinched particularly at plugs, convenience receptacles, and the point where they exit from the apparatus.
11. Only use attachments/accessories specified by the manufacturer.
12. Use only with a cart, stand, tripod, bracket, or table specified by the manufacturer, or sold with the apparatus. When a cart is used, use caution when moving the cart/apparatus combination to avoid injury from tip-over.
13. Unplug this apparatus during lightning storms or when unused for long periods of time.
14. Refer all servicing to qualified service personnel. Servicing is required when the apparatus has been damaged in any way, such as power-supply cord or plug is damaged, liquid has been spilled or objects have fallen into the apparatus, the apparatus has been exposed to rain or moisture, does not operate normally, or has been dropped.
15. Do not expose this product to dripping or splashing. Do not place objects filled with liquids, such as vases, on this product.
16. Main plug is used as disconnect device and it should remain readily operable during intended use. In order to disconnect the apparatus from the main completely, the main plug should be disconnected from the main socket outlet completely.
17. Batteries shall not be exposed to excessive heat such as sunshine, fire or the like.
18. For sufficient ventilation, the minimum distance around the apparatus is 10cm.
19. The ventilation should not be impeded by covering the ventilation openings with items such as newspaper, tablecloths, curtains, etc.
20. No naked flame sources, such as lighted candles, should be placed on the apparatus.
21. Attention should be drawn to the environmental aspects of battery disposal.
22. Only use the apparatus in moderate climates.



**Dear Customer:**

Selecting fine audio equipment such as the unit you've just purchased is only the start of your musical enjoyment. Now it's time to consider how you can maximize the fun and excitement your equipment offers. This manufacturer and the Electronic Industries Association's Consumer Electronics Group want you to get the most out of your equipment by playing it at a safe level. One that lets the sound come through loud and clear without annoying blaring or distortion—and, most importantly, without affecting your sensitive hearing. Sound can be deceiving. Over time your hearing "comfort level" adapts to higher volumes of sound. So what sounds "normal" can actually be loud and harmful to your hearing. Guard against this by setting your equipment at a safe level BEFORE your hearing adapts.

**To establish a safe level:**

- Start your volume control at a low setting.
- Slowly increase the sound until you can hear it comfortably and clearly, and without distortion.

**Once you have established a comfortable sound level:**

- Set the dial and leave it there.

**We Want You Listening For A Lifetime**

Used wisely, your new sound equipment will provide a lifetime of fun and enjoyment. Since hearing damage from loud noise is often undetectable until it is too late, this manufacturer and the Electronic Industries Association's Consumer Electronics Group recommend you avoid prolonged exposure to excessive noise. This list of sound levels is included for your protection.

<b>Decibel Level</b>	<b>Example</b>
30	Quiet library, soft whispers
40	Living room, refrigerator, bedroom away from traffic
50	Light traffic, normal conversation, quiet office
60	Air conditioner at 20 feet, sewing machine
70	Vacuum cleaner, hair dryer, noisy restaurant
80	Average city traffic, garbage disposals, alarm clock at two feet

**THE FOLLOWING NOISES CAN BE DANGEROUS UNDER CONSTANT EXPOSURE:**

90	Subway, motorcycle, truck traffic, lawn mower
100	Garbage truck, chain saw, pneumatic drill
120	Rock band concert in front of speakers, thunderclap
140	Gunshot blast, jet engine
180	Rocket launching pad

*Information courtesy of the Deafness Research Foundation*



## inside the box

CR25 digital cd clock radio, AC/DC power adapter and user guide.



## AC/DC adapter connection

Connect the AC/DC adapter (included) to an AC outlet having 100-240V,50/60Hz only. Plug the small end into the DC jack on the rear of the unit. DC 6V

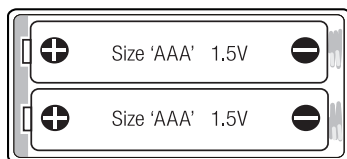
**caution:** Do not touch the AC/DC adapter with wet hands. Fully insert the plug without exposing any part of the blade.



## inserting batteries

Two (2) 'AAA' size batteries can also be used to power the unit, as well as back-up for the clock, alarm time, preset memories if the AC/DC adapter is disconnected or there is a power failure.

- 1 Open the battery door by pushing in on the tabs, then removing the door.
- 2 Insert two (2) 'AAA' batteries as shown. Alkaline batteries are recommended for the longest playing time.
- 3 Replace the battery door back on the compartment.



### battery precautions: Follow these precautions when using batteries in this device:

- 1 Warning - Danger of explosion if batteries are incorrectly replaced. Replace only with the same or equivalent type.
- 2 Use only the size and type of batteries specified.
- 3 Be sure to follow the correct polarity when installing the batteries as indicated. A reversed battery may cause damage to the device.
- 4 Do not mix different types of batteries together (e.g. Alkaline, Rechargeable and Carbon-zinc) or old batteries with fresh ones.
- 5 If the device is not to be used for a long period of time, remove the batteries to prevent damage or injury from possible battery leakage.
- 6 Do not try to recharge a battery not intended to be recharged - it can overheat and rupture. (Follow battery manufacturer's directions)



## turning the unit on

When the unit is off, press RADIO ON / AM/FM button once to turn on the unit in radio mode. The previous band and frequency will be restored. The display will revert back to the time display after five seconds.

When the unit is off, press PLAY / PAUSE button once to turn on the unit in CD mode. The CD table of contents will be read and the total number of song will be shown in the display.

When the unit is on (CD in stop mode), press STOP / OFF button once to turn off the unit.



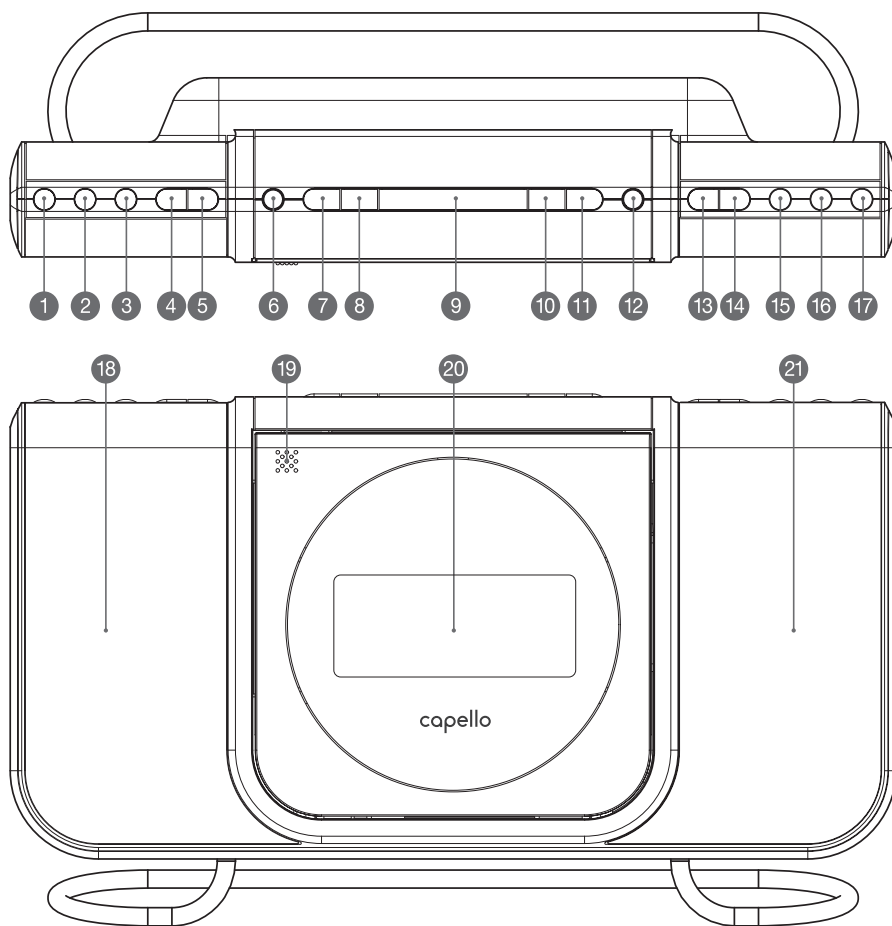
## adjusting the volume

Press the VOL + or VOL – button once to increase or decrease the 1 level.

**notes:** There is a total of 16 levels (0-15). Each bar on the LCD display represents 1 level.

Press and hold the VOL + or VOL – button will increase or decrease the volume continuously at a rate of 4 levels per second.

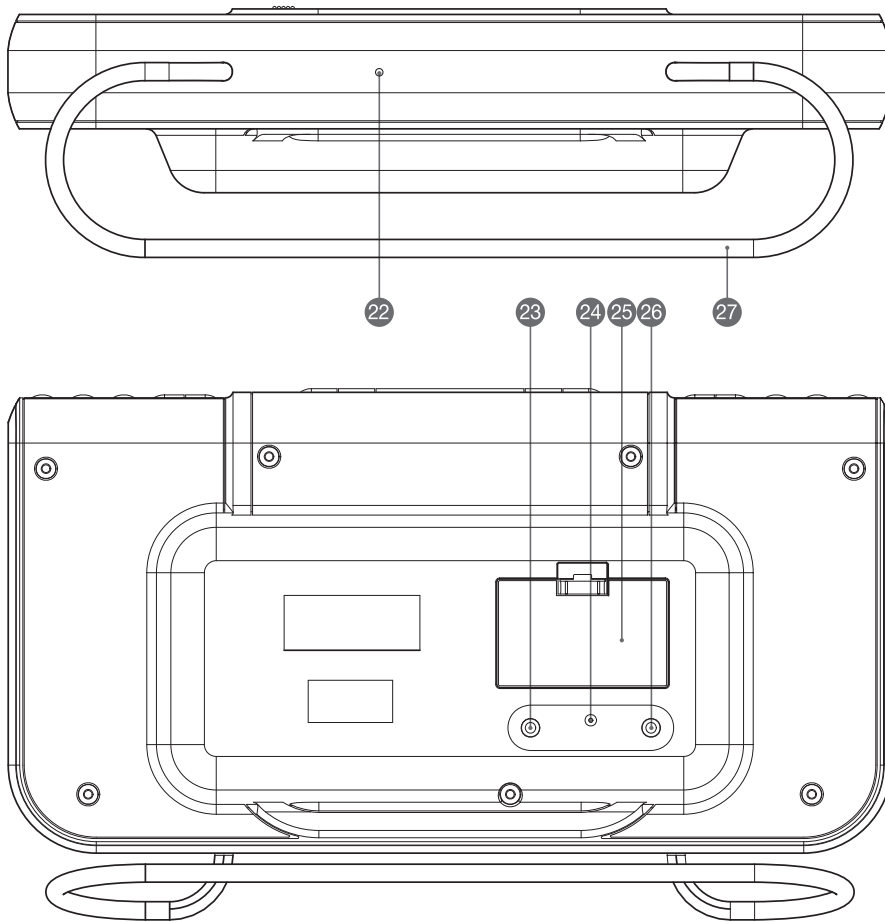
## location of controls



- ① TIME / SET Button
- ② HOUR Button
- ③ MIN Button
- ④ ALARM 1 Button
- ⑤ ALARM 2 Button
- ⑥ DIM Button
- ⑦ TUNE / SKIP / SEARCH DOWN
- ⑧ TUNE / SKIP / SEARCH UP
- ⑨ SNOOZE / SLEEP Button
- ⑩ STOP / OFF Button
- ⑪ PLAY / PAUSE - CD ON Button
- ⑫ AM/FM RADIO ON Button
- ⑬ VOLUME DOWN Button
- ⑭ VOLUME UP Button
- ⑮ PROGRAM Button
- ⑯ PRESETS Button
- ⑰ CD MODE / SEEK Button
- ⑱ Left Speaker
- ⑲ CD Door Open
- ⑳ LCD Display
- ㉑ Right Speaker



## location of controls (con't)



- 22 FM Antenna
- 23 LINE IN Jack
- 24 DC 6V IN Jack
- 25 Battery Compartment Door
- 26 Headphone Jack
- 27 Stand



## using the FM radio

- 1 In **CD MODE**, press RADIO ON / AM/FM button once to switch to radio mode, the latest band and frequency will be restored.
- 2 In **RADIO MODE**, press RADIO ON / AM/FM button once to toggle between AM and FM band.
- 3 For **MANUAL TUNING**, repeatedly press the TUNE / SKIP / SEARCH UP or TUNE / SKIP / SEARCH DOWN button to manually advance the frequency in the display up or down until the desired frequency appears.
- 4 For **AUTO TUNING**, press and hold the TUNE / SKIP / SEARCH UP or TUNE / SKIP / SEARCH DOWN button until the frequency in the display starts to scan, and then release the button; the tuner will search and then stop on the next strong station it finds. Repeat this step until the desired frequency appears in the display.

**notes:** Unravel and extend the FM wire antenna to receive the best FM reception. Turn the unit for better AM reception.

When auto tuning, memory save, recall and band switching are disabled.

Pressing STOP / OFF or PLAY / PAUSE buttons, while auto tuning, will stop the auto tuning and the desired function will be performed.

If there is no button operation for 5 seconds, the display will revert back to the time display.

## setting radio presets manually

- 1 In **RADIO MODE**, press PROGRAM button once to enter the channel save mode.
- 2 Then press PRESETS button to select the desired channel number to be saved.
- 3 Press the PROGRAM button again to set the station in the selected memory. (Pressing any other button function will stop the channel save mode).
- 4 Repeat steps 2 and 3 to program up to 9 stations in each band, if desired.



## auto-saving radio presets

- 1 In **RADIO MODE**, press CD MODE / SEEK button once to start searching from low end. The “SEEK” icon will appear on the display.
- 2 When a station is found, it will be saved in preset channel 1
- 3 The unit will continue searching for the next available station and will be saved as the next channel until all nine presets are stored.
- 4 Repeat steps 2 and 3 to program up to 9 stations in each band, if desired.

**notes:** If all 9 presets have been stored or the search reaches the band end, the auto-save function will stop. After the auto-save function is complete, the unit will recall the first preset channel.

## retrieving radio presets

- 1 Press PRESETS button once (except in channel saving mode) to recall the saved channel.
- 2 Press PRESETS button again to recall the next channel, repeat until desired channel is selected.



## using the CD player

- 1 In **RADIO MODE**, press PLAY / PAUSE button once to change to CD mode, the CD table of contents will be read and the total number of song will appear on the display.
- 2 Press the PLAY / PAUSE button to begin playback. The current track and elapsed time will appear in the display.
- 3 During playback, press the PLAY / PAUSE button to pause playback, the elapsed track time in the display will flash. Press again to resume playback.
- 4 When the disc is finished playing, it will stop. Pressing the STOP button will stop the disc before it is finished.

## CD playback from a specific track

- 1 While in **STOP MODE**, press either the SKIP / SEARCH / TUNING UP or SKIP / SEARCH / TUNING DOWN button to select a specific track for playback.
- 2 When the desired track is selected, press the PLAY / PAUSE button and playback will begin with the track selected.

## using play mode

In **CD MODE**, press CD MODE / SEEK button to select the play mode as following sequence:

**Normal --> Repeat 1 --> Repeat all --> Random --> Repeat Random --> Normal**

**note:** Play mode will be cleared when Powered off or change to radio mode.



## using forward / reverse and skip / search

- 1 To **SKIP FORWARD OR BACKWARD** on the disc: Press the SKIP / SEARCH / TUNING UP or SKIP / SEARCH / TUNING DOWN button to skip to the beginning of the current/ previous, or next track.
- 2 To **SEARCH FORWARD OR BACKWARD** on the disc: Press and hold the SKIP / SEARCH / TUNING UP or SKIP / SEARCH / TUNING DOWN button to search within track that is currently playing. When the button is released, normal playback will resume.

## CD memory programming (up to 20 tracks)

Programming is the ability to preselect the order in which a series of tracks will be played.

- 1 While in **STOP MODE**, press the PROGRAM button once to enter CD program mode. The "PROGRAM" icon will appear on the display.
- 2 Select a track to be programmed using the SKIP / SEARCH / TUNING UP or SKIP / SEARCH / TUNING DOWN button.
- 3 Press the PROGRAM button again to confirm the track. Repeat Steps 2 and 3 to program additional tracks up to a maximum of 20 tracks.
- 4 Press the PLAY / PAUSE button to begin program playback.

**notes:** To **CLEAR THE MEMORY:** Press the STOP / OFF button twice or open the CD door. The "PROGRAM" icon will disappear from the display



## setting the time

In the **POWER OFF MODE**, the real time will be shown on the LCD clock.

- 1 Press the TIME button to enter Clock Setting Mode. (Clock time will be flashing)
- 2 Press HOUR button to set the hour to desired time. (Press and hold to enter fast setting)
- 3 Press MINUTE button to set the minute to desired time. (Press and hold to enter fast setting)
- 4 Press the TIME button to confirm the time and begin the clock.

**notes:** If there is no button operation for 15 seconds, the unit will exit Clock Setting Mode.  
After exit the clock setting mode, the time and colon will be shown steady  
If the new setting time is equal to the alarm time, the unit will output alarm immediately.



## setting the alarm(s)

- 1 In **POWER OFF MODE**, press and hold ALARM 1 or ALARM 2 button to enter Alarm Setting Mode. (Alarm time will be flashing)
- 2 Press HOUR button to set the hour to desired alarm time. (Press and hold to enter fast setting)
- 3 Press MINUTE button to set the minute to desired alarm time. (Press and hold to enter fast setting)
- 4 Press ALARM 1 or ALARM 2 button to confirm the alarm time.

**notes:** Repeat above steps to set second alarm if necessary.  
If there is no button operation for 15 seconds, the unit will exit Alarm Setting Mode.

## setting the alarm source

In **POWER OFF MODE**, press ALARM 1 or ALARM 2 button to select the alarm mode as following sequence:

**Alarm Off --> Wake to CD --> Wake to Radio --> Wake to Buzzer --> Alarm Off**



## setting wake to CD

- 1 In **WAKE TO CD MODE**, Alarm time, CD icon and track number 01 are shown on the LCD display.
- 2 Press the SKIP / SEARCH / TUNING UP or SKIP / SEARCH / TUNING DOWN button to select the wake up track.

**note:** If there is no button operation for 5 seconds, the display will revert back to the time display.

## turn off / snooze CD alarm

To **TURN OFF** CD Alarm when it sounds, press either STOP / OFF, ALARM 1 or ALARM 2 button. Pressing any other buttons will not turn off the alarm. If no buttons are pressed the alarm will stop after the default 20 minute duration.

To **SNOOZE** when CD Alarm sounds, press SNOOZE / SLEEP button once. The "SNOOZE" icon will appear on the display. This will activate a snooze period of 5 minutes. Press and hold SNOOZE / SLEEP button to increase the preset snooze duration in additional 5 minute increments. Snooze time period is shown on the LCD (2 digits at the top middle). Maximum snooze time period is 60 minutes.

During the snooze period, the second alarm activation will disable the current snooze and the second alarm will sound.

**notes:** If there is no button operation for 5 seconds, the display will revert back to the time display

During CD Alarm playback, there will be three different options:

- 1.) If a CD track number is set for the CD in the unit: The unit will start to play the CD from the programmed track number. The unit will keep on playing until the entire CD is finished.
- 2.) If no CD track number is set for the CD in the unit: The unit will start to play the CD from the 1st song. The unit will keep on playing until the entire CD is finished
- 3.) No CD is placed on the unit: The Alarm mode will switch to Wake to Buzzer and follow functions of Wake to Buzzer mode. During the first Alarm is activated, the first Alarm will be stopped if the second Alarm is arrived. Then the second Alarm output will be activated immediately. The alarm volume will be increased from level 6 to level 12. Each 3 seconds will increase 1 step. The user cannot adjust the volume during this time.



## setting wake to radio

- 1 In **WAKE TO RADIO MODE**, Alarm time, RADIO icon and radio station are shown on the LCD display.
- 2 Press RADIO ON / AM/FM button to select the band preference.
- 3 Press SKIP / SEARCH / TUNING UP or SKIP / SEARCH / TUNING DOWN button to select the frequency/station.

**note:** If there is no button operation for 5 seconds, the display will revert back to the time display.

## turn off / snooze radio alarm

To **TURN OFF** Radio Alarm when it sounds, press either STOP / OFF, ALARM 1 or ALARM 2 button. Pressing any other buttons will not turn off the alarm. If no buttons are pressed the alarm will stop after the default 20 minute duration.

To **SNOOZE** when Radio Alarm sounds, press SNOOZE / SLEEP button once. The "SNOOZE" icon will appear on the display. This will activate a snooze period of 5 minutes. Press and hold SNOOZE / SLEEP button to increase the preset snooze duration in additional 5 minute increments. Snooze time period is shown on the LCD (2 digits at the top middle). Maximum snooze time period is 60 minutes.

During the snooze period, the second alarm activation will disable the current snooze and the second alarm will sound.

**note:** The alarm volume will be increased from level 6 to level 12. Each 3 seconds will increase 1 step. The user cannot adjust the volume during this time.





## setting wake to buzzer

In **WAKE TO BUZZER MODE**, Alarm time and Buzzer icon are shown on the LCD display.

**note:** If there is no button operation for 5 seconds, the display will revert back to the time display.

## turn off / snooze buzzer alarm

To **TURN OFF** Buzzer Alarm when it sounds, press either SNOOZE / SLEEP, ALARM 1 or ALARM 2 button. Pressing any other buttons will not turn off the alarm. If no buttons are pressed the alarm will stop after the default 20 minute duration.

To **SNOOZE** when Buzzer Alarm sounds, press SNOOZE / SLEEP button once. This will activate a snooze period of 5 minutes. Press and hold SNOOZE / SLEEP button to increase the preset snooze duration in additional 5 minute increments. Snooze time period is shown on the LCD (2 digits at the top middle). Maximum snooze time period is 60 minutes.

During the snooze period, the second alarm activation will disable the current snooze and the second alarm will sound.

**note:** The alarm volume will be increased from level 6 to level 12. Each 3 seconds will increase 1 step. The user cannot adjust the volume during this time.

## sleep timer

While the unit in the CD or Radio mode, press the SNOOZE/SLEEP button twice; "10" will appear on the display for five seconds which indicates the unit will turn off after 10 minutes.

Repeatedly press the SNOOZE/SLEEP button to select the SLEEP time, up to 60 minutes (i.e. , "20"—turns off automatically after 20 minutes, "30"—turns off automatically after 30 minutes, etc.). After 5 seconds, the SLEEP time will disappear from the display.

To view the remaining SLEEP time, press the SNOOZE/SLEEP button once.

**note:** To cancel the SLEEP function, repeatedly press the SNOOZE/SLEEP button until "- -" appears in the display. After five seconds, the actual time will appear again and the SLEEP indicator will disappear from the display.



## backlight / dimmer

When using the **AC/DC adapter**, the blue backlight always turns on and the brightness is adjustable. Press the DIM button to toggle the LED backlight between normal and dimmer settings.



## aux-in connection

- 1 If the unit is powered off, plug in the external audio device and then press the CD ON / RADIO ON button to turn on the unit in AUX mode. The "AUX" icon will appear on the display.
- 2 If the unit is in CD or Radio mode, plug in the external audio device to change to AUX mode.

## specifications

### general:

Power Source (AC Adapter) .....AC 100-240V, 50/60Hz  
 Power Source (Main unit) .....DC: 6V 1A  
 Power Source (Backup). .....2x1.5V "AAA" size batteries  
 Speaker. .... 8 ohms x 2  
 Output Power ..... 1 W x 2

### radio section:

Frequency Range (AM) .....520-1710KHz  
 Frequency Range (FM) .....87.5-108MHz

### CD section:

Disc Diameter .....4.72" (120mm)  
 .....3.15"(80mm) Single CD  
 Optical Source ..... Semiconductor laser  
 Wavelength ..... 780nm

*Specifications are subject to change without notice.*



## troubleshooting

If you experience a problem with this unit, please check the chart below before calling for service.

symptom	cause	solution
Unit will not turn on	AC adapter is not connected	Check the AC adapter connection
Disc will not play	CD compartment door not closed	Close CD compartment door
	Disc inserted incorrectly	Reinsert disc correctly
	Dirty or defective CD	Try another disc
	Moisture condensation on disc	Wipe disc clean with soft cloth
No Sound	Volume setting is set to minimum	Increase volume
	Defective CD	Try another disc
Erratic playback	Dirty or defective CD	Clean or replace disc
Time reset to 12:00	Batteries connected improperly, not connected or dead	Check the batteries
	Clock not set	Set the clock
Alarm does not turn on	Alarm is not activated or set properly	Set and activate alarm
	Clock is not set	Set the clock
AM/FM, no sound	Power is not on	Press AM/FM / Power On button to turn the unit on
	Volume setting is set to minimum	Increase volume

capello™

For further assistance, please visit our website: [hellocapello.com](https://www.hellocapello.com)  
or contact customer service at [support@capelloproducts.com](mailto:support@capelloproducts.com) or **1-855-896-1795**

Life Lab International Ltd.