

capello™



GLOW CLOCK

alarm clock with night light

CR10 user guide



CAUTION

RISK OF ELECTRIC SHOCK
DO NOT OPEN



CAUTION: TO REDUCE THE RISK OF ELECTRIC SHOCK, DO NOT REMOVE COVER (OR BACK). NO USER-SERVICEABLE PARTS INSIDE. REFER SERVICING TO QUALIFIED SERVICE PERSONNEL.



DANGEROUS VOLTAGE: The lightning flash with arrowhead symbol, within an equilateral triangle is intended to alert the user to the presence of uninsulated dangerous voltage within the product's enclosure that may be of sufficient magnitude to constitute a risk of electric shock to persons.



ATTENTION: The exclamation point within an equilateral triangle is intended to alert the user to the presence of important operating and maintenance (servicing) instructions in the literature accompanying the appliance.

FCC WARNING: This equipment may generate or use radio frequency energy. Changes or modifications to this equipment may cause harmful interference unless the modifications are expressly approved in the instruction manual. The user could lose the authority to operate this equipment if an unauthorized change or modification is made.

ATTENTION: POUR ÉVITER LES CHOC ÉLECTRIQUES, INTRODUIRE LA LAME LA PLUS LARGE DE LA FICHE DANS LA BORNE CORRESPONDANTE DE LA PRISES ET POUSSER JUSQU'AU FOND.

IMPORTANT SAFETY PRECAUTIONS

NOTE: This equipment has been tested and found to comply with the limits for a Class B digital device, pursuant to Part 15 of the FCC Rules. These limits are designed to provide reasonable protection against harmful interference in a residential installation. This equipment generates, uses and can radiate radio frequency energy and, if not installed and used in accordance with the instructions, may cause harmful interference to radio communications. However, there is no guarantee that interference will not occur in a particular installation. If this equipment does cause harmful interference to radio or television reception, which can be determined by turning the equipment off and on, the user is encouraged to try to correct the interference by one or more of the following measures:

- Reorient or relocate the receiving antenna.
- Increase the separation between the equipment and receiver.
- Connect the equipment into an outlet on a circuit different from that to which the receiver is connected.
- Consult the dealer or an experienced radio/TV technician for help.

Compliance information: This device complies with Part 15 of the FCC Rules. Operation is subject to the following two conditions: (1) this device may not cause harmful interference, and (2) this device must accept any interference received, including interference that may cause undesired operation.

WARNING: TO PREVENT FIRE OR SHOCK HAZARD, DO NOT EXPOSE THIS UNIT TO RAIN OR MOISTURE.

SURGE PROTECTORS: It is recommended to use a surge protector for AC connection. Lightning and power surges ARE NOT covered under warranty for this product.

CAN ICES-3 (B) / NMB-3 (B)

SAFETY PRECAUTIONS

- a. Do not expose this unit or the AC/DC adaptor to dripping or splashing water. Keep liquid-filled objects, such as vases, away from this unit and AC/DC adaptor.
- b. To ensure that this unit is completely disconnected, unplug it from the wall.
- c. Ensure that the AC/DC adaptor is easily accessible.
- d. Please note the information printed underneath the unit.
- e. Batteries should not be exposed to excessive heat such as direct sunshine, fire, etc.
- f. Do not impede the ventilation of this unit by covering the ventilation openings with items such as newspapers, table-cloths, curtains, etc.
- g. Keep open flames, such as lighted candles, away from this unit.
- h. Do not place this unit in closed bookcases, racks, or other spaces without proper ventilation.
- i. Use only the same or equivalent type batteries as there is a danger of explosion if the incorrect batteries are used or they are installed incorrectly.
- j. Dispose of batteries properly according to environmental regulations.



inside the box

CR10 Glow Clock, AC power adapter and user guide.

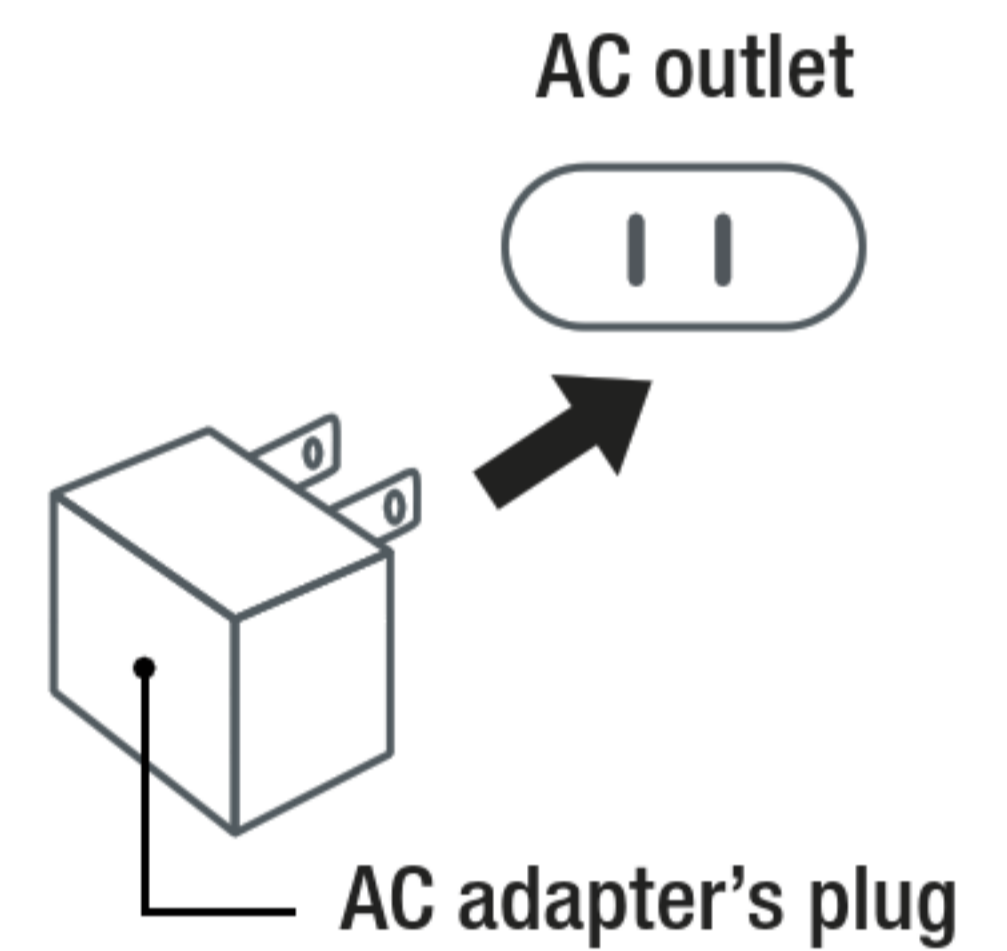


power source

Insert the small end of the AC adaptor into the DC In Jack (located on the rear of the unit). Connect the other end to a wall outlet providing 100-240V AC, 50/60 Hz.

The output of the provided AC/DC Adaptor is DC 5V 0.8A

notes: Disconnect both ends of the power cord when not in use.
Use only the supplied AC adaptor with the following specs:
AC In - 100-240V AC, 50/60Hz / DC Out - 5V 0.8A

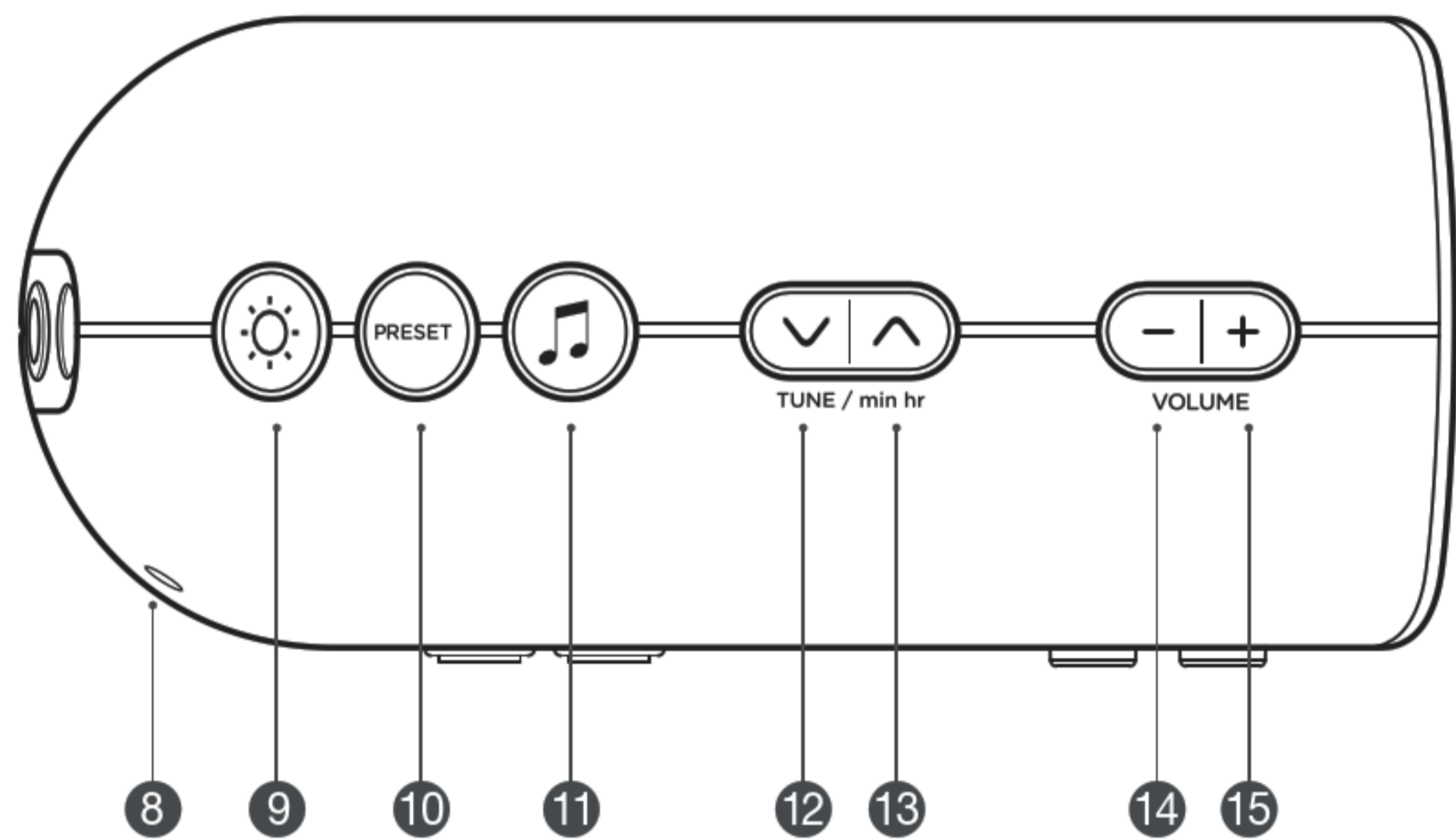
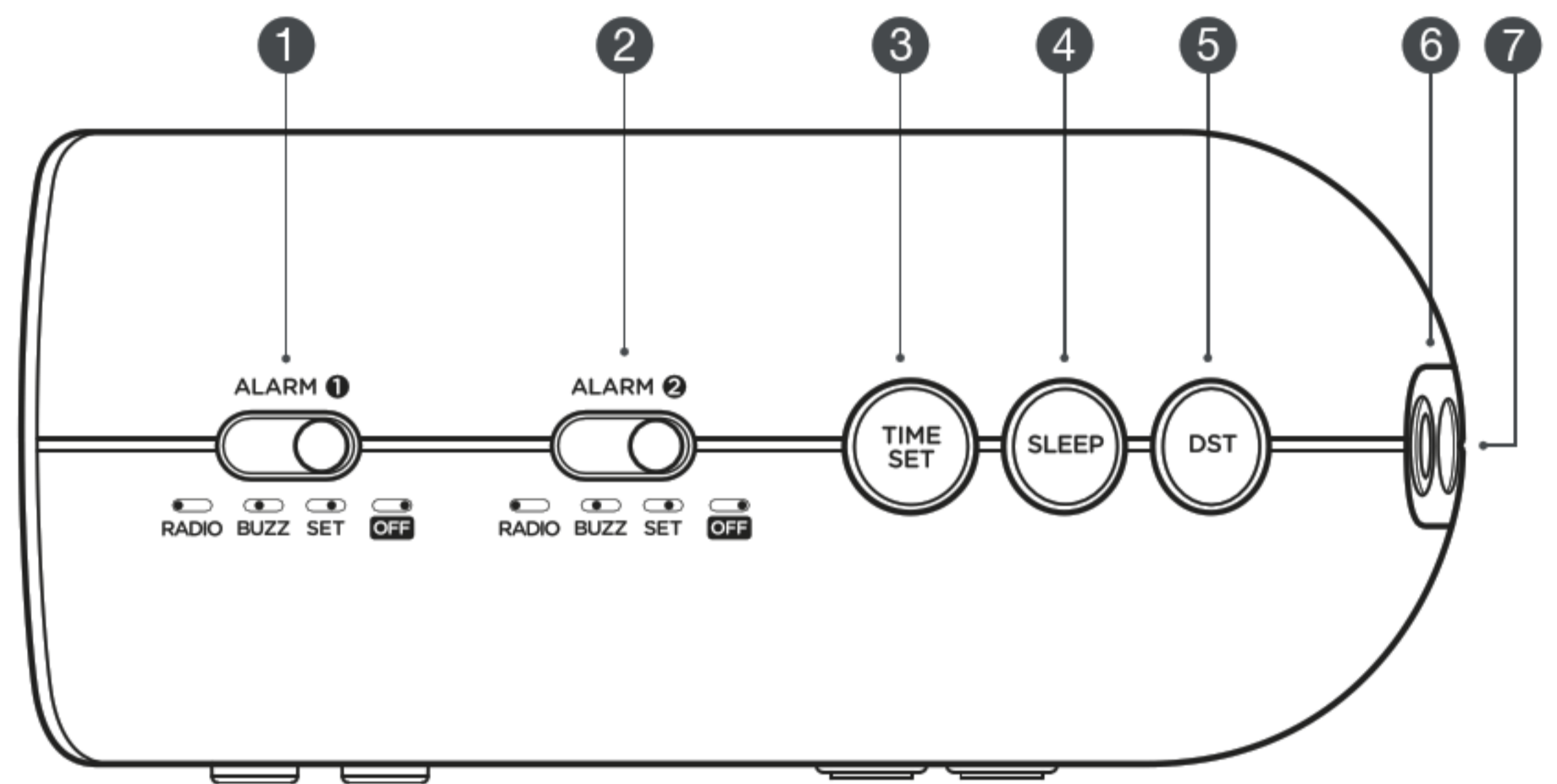


turning the unit on

- 1 Press the POWER button to turn the unit on.
- 2 Press the POWER button again to turn the unit off.

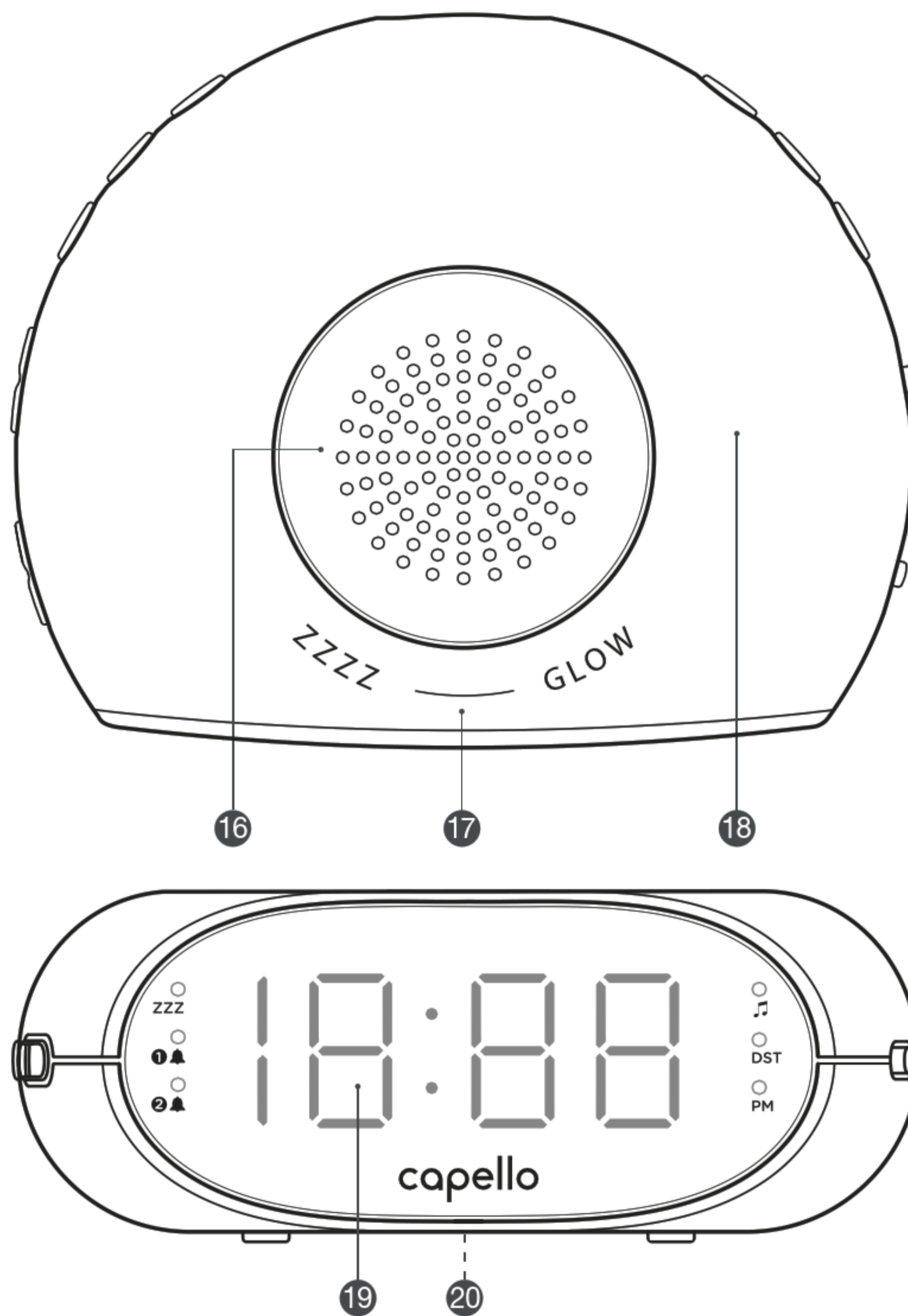
location of controls

- 1 ALARM 1 Switch
- 2 ALARM 2 Switch
- 3 TIME SET Button
- 4 SLEEP Button
- 5 DST (daylight savings time)
- 6 LINE IN Jack
- 7 DC IN Jack
- 8 FM Antenna Wire
- 9 DIMMER Button
- 10 PRESET Button
- 11 POWER Button
- 12 TUNE / MINUTE DOWN Button
- 13 TUNE / HOUR UP Button
- 14 VOLUME DOWN – Button
- 15 VOLUME UP + Button



location of controls (con't.)

- 16 Speaker
- 17 ZZZZ-GLOW Button Area
- 18 LED Glow Light / Night Light
- 19 LED Display
- 20 Battery Compartment (bottom of unit)



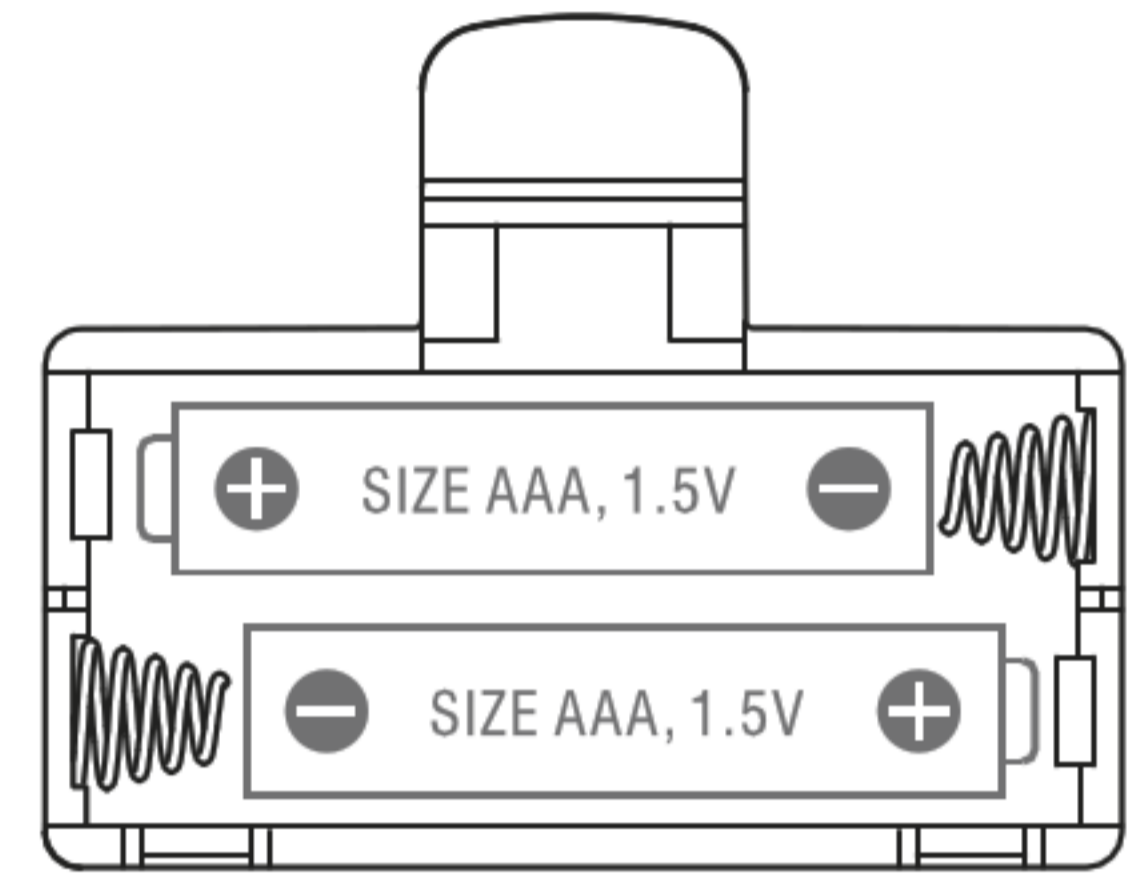


inserting the batteries

Two 'AAA' size batteries (sold separately) should be used to backup the clock and keep up alarm settings in memory in the event the AC adaptor is disconnected or there is a power failure.

- 1 Open the battery door
- 2 Insert two "AAA" batteries as shown. (Alkaline batteries are recommended for the longest backup time.)
- 3 Close the battery door

notes: To avoid the current time and alarm setting being erased or reset, do not disconnect the AC power adaptor when replacing the batteries



(bottom of unit)



battery precautions:

Follow these precautions when using batteries in this device:

- 1 Warning - Danger of explosion if batteries are incorrectly replaced. Replace only with the same or equivalent type.
- 2 Use only the size and type of batteries specified.
- 3 Be sure to follow the correct polarity when installing the batteries as indicated in the battery compartment.
note: A reversed battery may cause damage to the device.
- 4 Do not mix different types of batteries together (e.g. Alkaline, Rechargeable and Carbon-zinc) or old batteries with fresh ones.
- 5 If the device is not to be used for a long period of time, remove the batteries to prevent damage or injury from possible battery leakage.
- 6 Do not try to recharge a battery not intended to be recharged - it can overheat and rupture. (Follow battery manufacturer's directions.)



LED glow light / night light feature

Your CR10 features an ambient glow light that can be used as a night light. The glow intensity can be adjusted to one of three presets levels by using the DIMMER button which is linked to the units display as well.

- When the alarm sounds, the glow light will illuminate in addition to the alarm sounding. Tapping the ZZZZ–GLOW button area will snooze the alarm and turn the glow light off.
- If the glow light is already on when the alarm sounds, the glow light will remain on during the alarm sounding. Tapping the ZZZZ–GLOW button area will snooze the alarm but the glow light will remain on.

notes: There are two ways to turn off the glow light when the alarm sounds. First option is to slide the ALARM switch to 'OFF' to cancel the alarm, then press the ZZZZ–GLOW button area to turn the glow light off. You will need to reset the alarm if you want to have it sound the next day.

Second option, press the POWER button to turn the CR10 off, then press the ZZZZ–GLOW button area to turn the glow light off. This will silence the alarm and automatically reset it for the next day.

using the glow light as a night light

- 1 To **TURN ON** the glow light, press the ZZZZ–GLOW button area, located on the top of the unit, at any time the alarm is not sounding.
- 2 To **TURN OFF** the glow light, while the alarm is not sounding, press the ZZZZ–GLOW button area again.

adjusting the brightness

Repeatedly press the DIMMER button to toggle the level of brightness for the LED glow light as well as the unit display. The three presets levels to choose from are low, medium and high. The factory default setting is "high".



setting the time

- 1 Plug in the unit, press and hold the TIME SET button, the display will flash “12:00”.
- 2 Repeatedly press the TUNE / HOUR UP button to program the current hour setting, making sure to correctly choose AM or PM.
- 3 Then repeatedly press the TUNE / MIN DOWN button to program the current minute setting.
- 4 Press the TIME SET button to confirm the selected time.



using DST (daylight savings time)

Pressing the DST button will increase the current time setting by one hour. Pressing it again will return the time to the original status.



setting the alarm(s)

- 1 With the unit in STANDBY mode, slide the ALARM 1 switch to the “SET” position. The default time of “12:00” will begin to flash and the “ALARM 1” indicator will blink on the display.
- 2 To **SET THE HOUR**, repeatedly press the TUNE / HOUR UP button to program the desired hour setting, making sure to correctly choose AM or PM.
- 3 To **SET THE MINUTES**, repeatedly press the TUNE / MIN DOWN button to program the desired minute setting.
- 4 To **CHOOSE THE ALARM SOURCE**, slide the ALARM 1 switch to either the BUZZ or RADIO position.
- 5 The “ALARM 1” indicator on the display will turn solid confirming the programmed alarm time is set.
- 6 To **SET ALARM 2**, use the ALARM 2 switch and follow the same steps above.

notes: The alarm volume is preset and can not be adjusted.

If an external audio device is connected to the AUX IN jack, the default alarm source is buzzer.



turning off the alarm(s)

- 1 To **SILENCE THE ALARM**, press the POWER button. The “ALARM 1” indicator will remain on the display confirming the alarm is set for the next day.
- 2 To **TOGGLE THE ALARM ON/OFF**, slide the ALARM 1 button to the OFF position. The “ALARM1” indicator will disappear from the display.



using the snooze

- 1 Once the programmed ALARM time is reached, the alarm will sound for up to 60 minutes. Pressing the ZZZZ–GLOW button area will allow you to interrupt and delay the alarm for 10 minutes at which time the alarm will sound again.
- 2 To **SET THE SNOOZE DELAY** between 10 to 60 minutes, repeatedly press the ZZZZ–GLOW button area to increase the duration time by 10 minutes with each press. The alarm will sound again once the programmed snooze time is reached.



setting the sleep timer

- 1 With the unit in FM / AUX mode, press the SLEEP button. The SLEEP indicator will illuminate and “15” will appear on the display for five seconds confirming the unit will turn off after 15 minutes.
- 2 To **SET THE SLEEP TIMER** delay between 15 to 90 minutes, repeatedly press the SLEEP button to increase the duration time with each press. After five seconds, the programmed SLEEP time will disappear from the display and the unit will turn off once the sleep time is reached.
- 3 To **VIEW THE REMAINING SLEEP TIMER**, press the SLEEP button once.
- 4 To **INCREASE THE SLEEP TIMER**, repeatedly press the SLEEP button increasing the time up to 90 minutes.
- 5 To **CANCEL THE SLEEP TIMER**, repeatedly press the SLEEP button until “OFF” appears on the display.



using the FM radio

- 1 Press the POWER button to turn the unit on and the FM frequency will appear on the display.
- 2 Repeatedly press the TUNE / HOUR UP or TUNE / MIN DOWN button to manually advance the frequency on the display up or down until the desired frequency appears.
- 3 For **AUTO TUNING**, press and hold the TUNE / HOUR UP or TUNE / MIN DOWN button until the frequency in the display starts to scan and then release. The tuner will search and then stop on the next strongest station it receives. Repeat this step until the desired frequency appears on the display.

note: Unravel and extend the FM wire antenna for best reception.



programming radio presets

- 1 To **SAVE RADIO PRESETS**, follow the steps above to select a favorite station.
- 2 Press and hold the PRESET button to enter the channel save mode.
- 3 Press the TUNE / HOUR UP or TUNE / MIN DOWN button to select a preset number (01-10), then press the PRESET button again to confirm the setting and save the selected station to memory.
- 4 Repeat these steps for up to 10 presets, as desired.
- 5 To **RETRIEVE PRESET**, repeatedly press the PRESET button until the desired preset number appears in the display and the unit tunes to the station.



aux-in connection

- 1 Insert one end of a 3.5mm audio cable (not included) into the LINE OUT jack on your external audio source (e.g. iPad, iPod shuffle, mobile phone, MP3 player, digital media player, etc.) and the other end into the AUX IN JACK on rear of this unit.
- 2 Turn the POWER on for the CR10 then power on the external audio source. The display will show “AUX” briefly then change to the current clock time.
- 3 Select the music you want to listen to and press play on the external audio source. Playback will begin and sound will be heard through the CR10 speakers.

specifications

Power Source	DC 5V 0.8A Adapter (Center Positive)
AC Power Supply	100 - 240V ~ 50/60Hz 0.15A
Battery Backup	2 x 1.5V “AAA” size batteries
Speaker	4 ohms
Output Power	1.5 W

radio section:

Frequency Range (FM)	87.5 – 108 MHz
----------------------------	----------------

Specifications are subject to change without notice.



troubleshooting

If you experience a product issue with this unit, please check the chart below or visit our website for more troubleshooting solutions and FAQs.

symptom	cause	solution
No sound	Volume is set to minimum.	Increase volume.
Radio, no sound	Power is not on.	Press the Power button to turn the power on.
	Volume is set to minimum.	Increase volume.
Radio, poor sound	Station is not tuned properly.	Retune the FM broadcast station.
	FM: Wire antenna is not extended.	Extend FM wire antenna.
Time reset to "12:00"	Batteries connected improperly, not connected or dead.	Check the batteries.
	Clock not set.	Set the clock.
Alarm does not turn on	Alarm is not activated or set properly.	Set and activate alarm.
	Clock is not set.	Set the clock.

capello™

For further assistance, please visit our website: [hellocapello.com](https://www.hellocapello.com)
or contact customer service at support@capelloproducts.com or **1-855-896-1795**

Life Lab International Ltd.