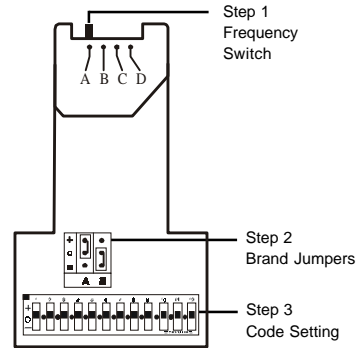


PROGRAMMING THE TRANSMITTER

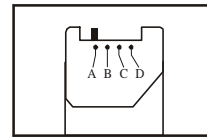
Thank you for your purchase of the Skylink garage door remote control, Model 89. There are 3 different steps you need to setup in order to use this universal garage door remote control to operate your existing garage door opener. These 3 steps are:

- 1) Frequency switch – select the correct frequency according to the brand of your existing garage door opener.
- 2) Brand jumpers – place the brand jumpers at the correct position according to the brand of your existing garage door opener.
- 3) Code setting – Set the DIP switch on the Model 89 so that they match the code setting of your existing garage door opener.

Please follow the detailed instructions below in order to setup the Skylink Model 89 to work with your existing opener. If your existing garage door remote control does not have any DIP switches for code setting, then you can skip Step 3, i.e. no need to change the code setting of the DIP switch on the Model 89.



1a. Locate frequency switch on the top of the transmitter: (See diagram A)



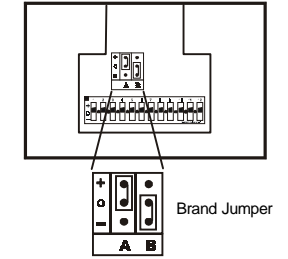
	A	B	C	D
USA	300	310	318	390
CANADA	310	315	318	390

1b. Determine the brand of your garage door opener and set the frequency switch to the corresponding position. (See chart 1)

Brand of your opener	USA		CANADA	
	Set switch to position	Frequency	Set switch to position	Frequency
Chamberlain®	D	390	B/D	315/390
Lift-Master®	D	390	B/D	315/390
Sears®	D	390	B/D	315/390
Wayne Dalton®	A/D	300/390	B/D	315/390
Master Mechanic®	D	390	B/D	315/390
Genie®	D	390	B/D	315/390
Overhead®	D	390	D	390
Pulsar/Allister/Allstar®	C	318	C	318
Linear® MegaCode™	C	318	C	318
Linear®	B	310	A	310
M-O-M®	B	310	A	310
Stanley®	B	310	A	310
Multi-Code®	A/B	300/310	A	310
Martec/Teckey®	A	300	-	-
Skylink® UR-100	D	390	D	390

Chart 1

STEP 2 - SET BRAND JUMPERS



A = "+" B = "-"
REMOVE JUMPER = "0"

Diagram B

STEP 2 - SET BRAND JUMPERS

2a. The Model 89 contains 2 brand jumpers and 12 DIP switches (see diagram B). The brand jumpers are located just above the DIP switches with markings "A" and "B". There are 2 connectors, one is placed on the "A" column, the other one is placed on the "B" column. For each column, there is a connector. If the connector is placed on the top and middle post of that column, that column is set on "+". If the connector is placed on the middle and bottom posts, that column is set on "-". If the connector is removed completely, that column is set on "0" (see diagram B). In order for the Model 89 to work with your existing garage door opener (motor), you need to set the brand jumpers based on the brand of your existing garage door opener. Please set these 2 brand jumpers "A" and "B" based on the brand jumpers setting on chart 2.

Group	Brand	Brand jumpers setting	
		A	B
1	Stanley®, Multi-Code®, Martec®	-	-
2	Linear®, Moore-O-Matic®	+	0
3	Pulsar®, Allstar®, Allister®, Linear® MegaCode™ Skylink® UR-100	-	0
4	Chamberlain®, Lift-Master®, Sears®, Wayne Dalton®, Master Mechanic® (with DIP switches) Genie® Intellicode™*	+	-
5	Genie® (with DIP switches), Overhead®	0	+
6	Chamberlain®, Lift-Master®, Sears®, Wayne Dalton®, Master Mechanic® (without DIP switches but with yellow, white, or gray learn button)	0	-
7*	Genie® Intellicode™*	+	+
8	Chamberlain®, "Security +™", Sears®, Lift-Master® (without DIP switches but with red, orange or green learn button)	-	+

Chart 2

* Note: If your existing garage door opener belongs to Genie® Intellicode™, please use setting for Group 7 unless this setting cannot operate your garage door opener properly, then use setting for Group 4.

STEP 3 - SET DIP SWITCHES

3c. If your existing transmitter or receiver has fewer than 12 switches, match only the first corresponding DIP switch. Leave the remaining posts in center position "0".

3d. Enter the current 4-digit PIN, on the keypad of the Model 89, then press [#] will activate the garage door opener. If you have just purchased the Model 89, the factory default 4-digit PIN is 0000. So please enter [0], [0], [0], [0], [#]. If the garage door does not open, reverse all of the DIP switch on the model 89. The "+" will be changed to the "-" position and the "-" position will be changed to the "+" position (see diagram F). Also try the unused DIP switches in the "+", "0" or "-" positions.

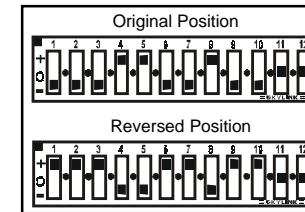
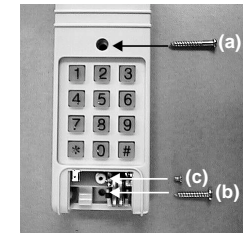


Diagram F

INSTALLATION

- Position the keypad on the garage door frame.
- Lift up the cover and insert screw above the keypad in the slot provided (a).
- Remove the battery cover and insert the second screw in the lower slot (b).
- Replace the battery cover and insert screw (c).



KEY PAD OPERATION

NOTE: The backlight comes on and a beep is emitted when any key is pressed. The backlight of the key pad may not be visible when it is too bright outside. When any key is pressed, the next key must be pressed within 5 seconds or the backlight turns off and the sequence is canceled. You must begin again.

If the keypad does not emit a beep when pressed, wait a few seconds and press the key again. If you hear a beep, the keypad has accepted that key.

- **To change your PIN:**
- 1. Enter the current PIN, (currently set at 0000), press * ,
- 2. Enter new 4 digit PIN, press * ,
- 3. Enter new PIN again, press * .

For example, if you are changing the PIN number from 0000 to 1234, enter the following sequence, 0000, * ,1234, * ,1234, * . If confirmed, the backlight LED flashes and the unit emits a long beep.

- **Operation**
- Press [PIN] , [#]
- To open or close garage door, press your four digit PIN and the [#] key. If confirmed, the model 89 will emit three beeps.

If you do not hear 3 beeps after the 4-digit PIN and [#] is entered, that means you have entered an incorrect PIN, and the Model 89 will not operate your garage door.

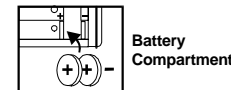
WARNING

If this transmitter triggers other garage doors in your neighborhood, change all your transmitters and receiver to a new code setting.

DO NOT let children use the garage door transmitter without adult supervision. Children can injure themselves or others by the garage door.

BATTERY

Two 3 volt Lithium type (CR2032) batteries (included).



It is time to change the batteries when the backlight no longer appears.

FCC

The Universal Garage Door Remote Control is approved by the FCC and it complies with Part 15 of the FCC Rules. Its operation is subject to the following two conditions :

1. This device may not cause harmful interference.
2. This device must accept any interference that may cause undesired operation.

WARNING:

Changes or modifications to this unit not expressly approved by the party responsible of compliance could void the user's authority to operate the equipment.

Skylink will not be held liable or responsible for any misuse or application of this product other than for its intended use.

SKYLINK TECHNOLOGIES INC.

2213 Dunwin Drive
Mississauga, Ontario,
L5L 1X1, CANADA
(905)608-9223
(905)608-8744 FAX
Email:support@skylinkhome.com
(Reply within 24 hrs)
Customer Service : (800)304-1187
From 9am to 5pm EST (Mon-Fri)
http://www.skylinkhome.com
P/N. 101A162-X Rev.X
Patent no. 5680134, 6005508
Patents Pending
©2002 SKYLINK TECHNOLOGIES INC.

are registered trademarks of their respective corporations



WIRELESS
KEYLESS ENTRY
USER'S INSTRUCTIONS
(Model 89)

